



CATALOG OF REPLACEMENT PARTS

HG SERIES FRYER WITH DRAWER FILTER SYSTEM



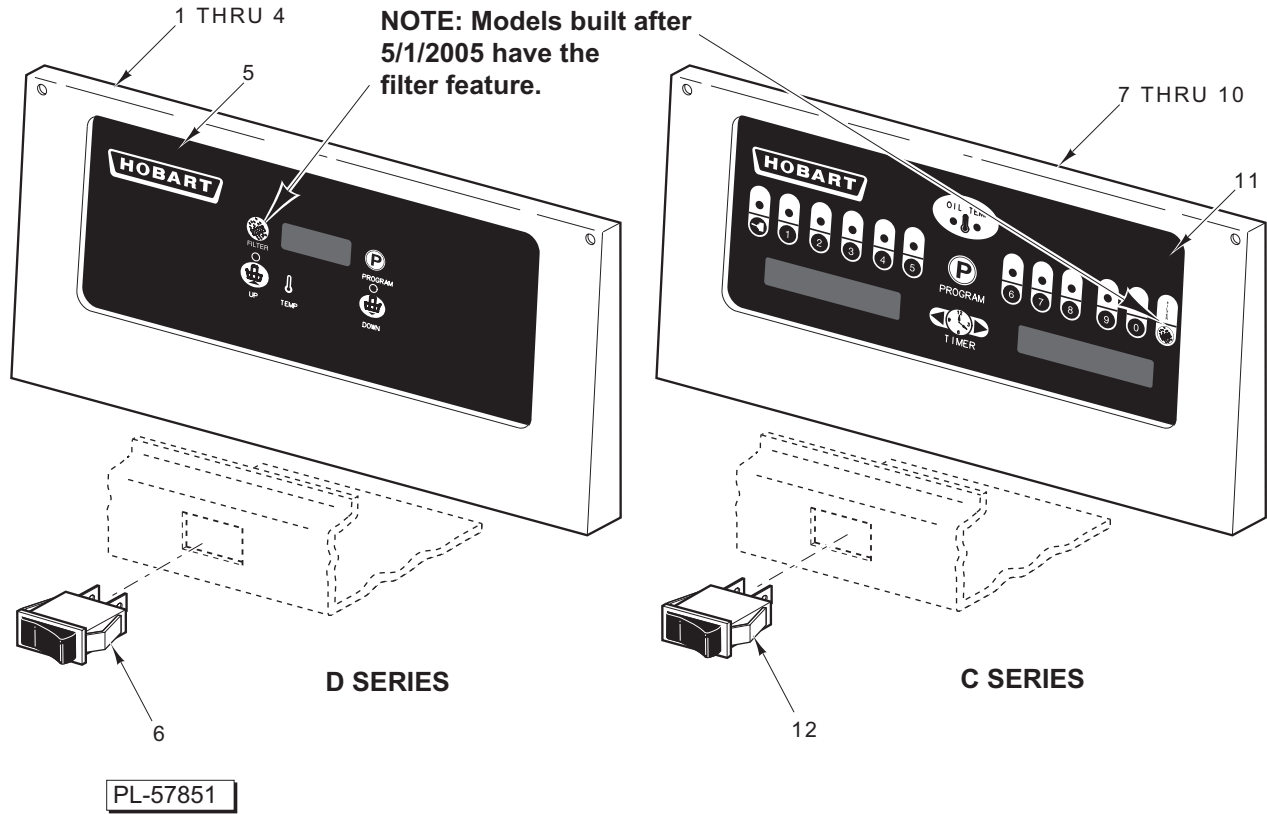
HGD35F	ML-126953
HGD45F	ML-126956
HGD65F	ML-126959
HGD85F	ML-126962
HGC35F	ML-126954
HGC45F	ML-126957
HGC65F	ML-126960
HGC85F	ML-126963
HG35F	ML-135536
HG45F	ML-135537
HG65F	ML-135538
HG85F	ML-135539

PRIOR MLS COVERED IN THIS CATALOG

HGS35F	ML-126952
HGS45F	ML-126955
HGS65F	ML-126958
HGS85F	ML-126961

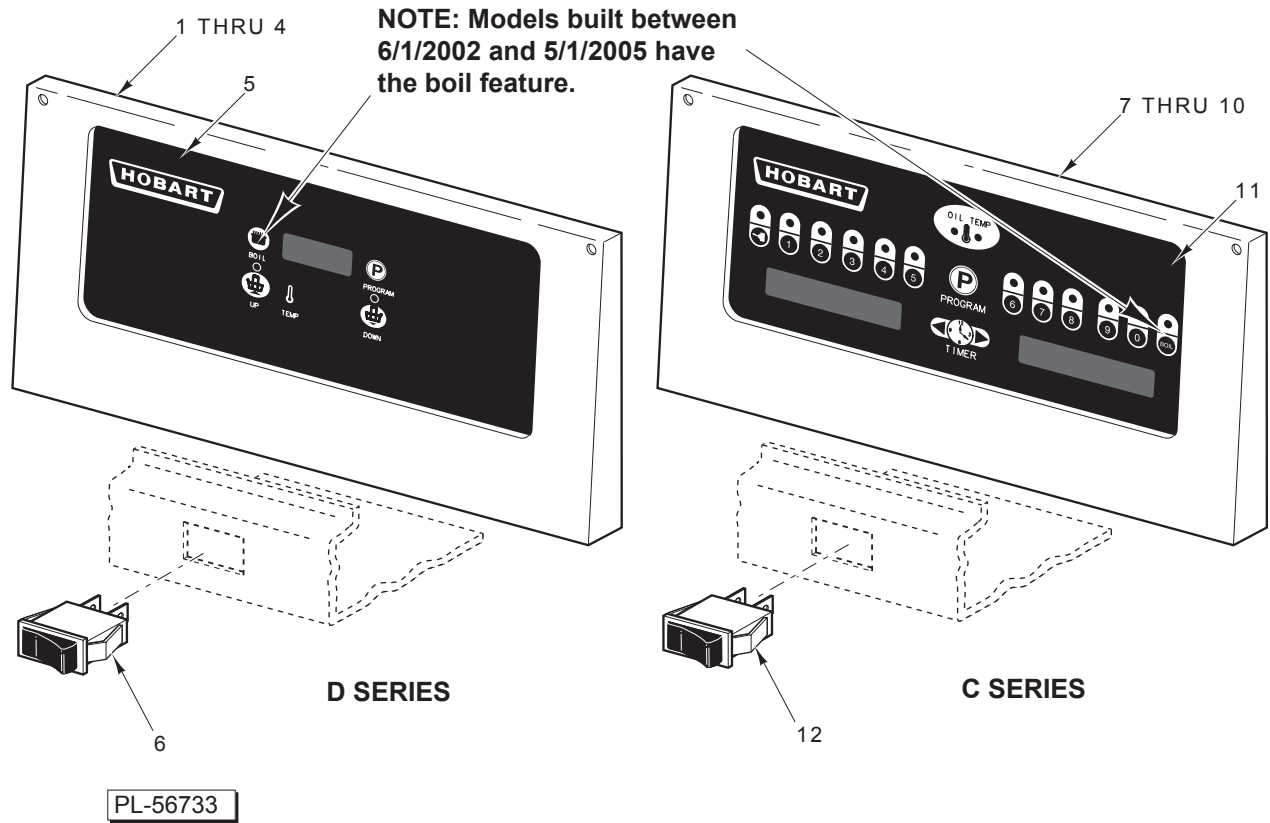
Table Of Contents

3	CONTROL PANEL (NCC) (CURRENT CONSTRUCTION AFTER 5/1/05)
4	CONTROL PANEL (NCC)(PREVIOUS CONSTRUCTION AFTER 6/1/02 AND BEFORE 5/1/05)
5	CONTROL PANEL (C SERIES) (PREVIOUS CONSTRUCTION)
7	CONTROL PANEL (D SERIES) (PREVIOUS CONSTRUCTION)
9	CONTROL PANEL (HGSF SERIES)
11	CONTROL PANEL (HGSF SERIES W/BASKETLIFT)
13	POWER SUPPLY BOX (PREVIOUS CONSTRUCTION)
15	POWER SUPPLY BOX (PREVIOUS CONSTRUCTION AFTER 6/1/02 BEFORE 10/1/04)
17	POWER SUPPLY BOX (CURRENT CONSTRUCTION AFTER 10/1/04)
19	BODY UNIT
21	BODY UNIT (HGF SERIES)
23	BASKETLIFT COMPONENTS
25	BURNER COMPONENTS
27	BURNER COMPONENTS (HGF SERIES)
29	GAS INLET MANIFOLD (PREVIOUS CONSTRUCTION)
31	GAS INLET MANIFOLD (HGCF & HGDF SERIES) (CURRENT CONSTRUCTION)
33	GAS INLET MANIFOLD (HGF SERIES) (CURRENT CONSTRUCTION)
35	TANK AND DRAIN
37	TANK AND DRAIN (HGF SERIES)
39	OIL RETURN (HGCF AND HGDF SERIES) (CURRENT CONSTRUCTION)
41	OIL RETURN (PREVIOUS CONSTRUCTION)
42	OIL RETURN (HG35F AND HG45F) (CURRENT CONSTRUCTION)
44	OIL RETURN (HG65F AND HG85F) (CURRENT CONSTRUCTION)
47	FILTER ASSEMBLY



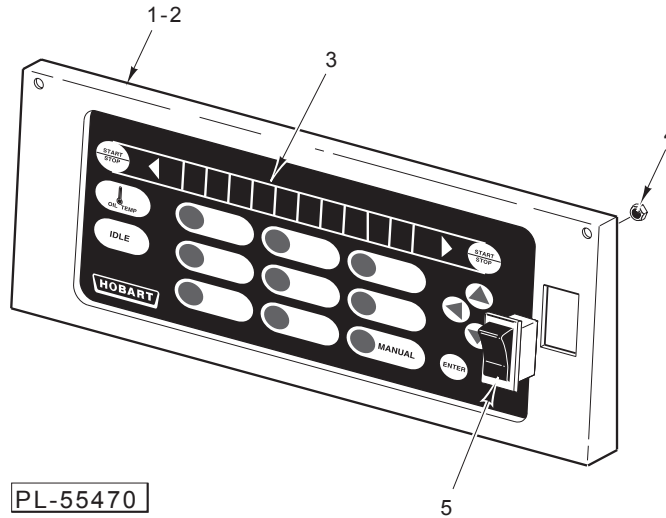
**CONTROL PANEL (NCC)
(CURRENT CONSTRUCTION AFTER 5/1/05)**

ILLUS.	PART NO.	NAME OF PART	AMT.
PL-57851			
1	00-913012-00005	Control Assy. – Solid State	1
2	00-426815-000G1	Plate Assy. – Mounting (HGD35/45F)	1
3	00-426815-000G2	Plate Assy. – Mounting (HGD65/85F)	1
4	NS-046-89	Nut Assy. 6-32 Hex	4
5	00-427820-00002	Overlay – Control Panel	1
6	00-427755-000G1	Rocker Switch Assy.	1
7	00-913012-00004	Computer Cooking Assy.	1
8	00-426815-000G1	Plate Assy. – Mounting (HGC35/45F)	1
9	00-426815-000G2	Plate Assy. – Mounting (HGC65/85F)	1
10	NS-046-89	Nut Assy. 6-32 Hex	4
11	00-426732-00002	Overlay – Control Panel	1
12	00-427755-000G1	Rocker Switch Assy.	1
	00-426251-00002	Plug	1



**CONTROL PANEL (NCC)
(PREVIOUS CONSTRUCTION AFTER 6/1/02 AND BEFORE 5/1/05)**

ILLUS.	PART NO.	NAME OF PART	AMT.
1	00-913012-00002	Control Assy. – Solid State	1
2	00-426815-000G1	Plate Assy. – Mounting (HGD35/45F)	1
3	00-426815-000G2	Plate Assy. – Mounting (HGD65/85F)	1
4	NS-046-89	Nut Assy. 6-32 Hex	4
5	00-497421-00002	Overlay – Control Panel	1
6	00-427755-000G1	Rocker Switch Assy.	1
7	00-913012-00001	Computer Cooking Assy.	1
8	00-426815-000G1	Plate Assy. – Mounting (HGC35/45F)	1
9	00-426815-000G2	Plate Assy. – Mounting (HGC65/85F)	1
10	NS-046-89	Nut Assy. 6-32 Hex	4
11	00-497422-00002	Overlay – Control Panel	1
12	00-427755-000G1	Rocker Switch Assy.	1
	00-426251-00002	Plug	1

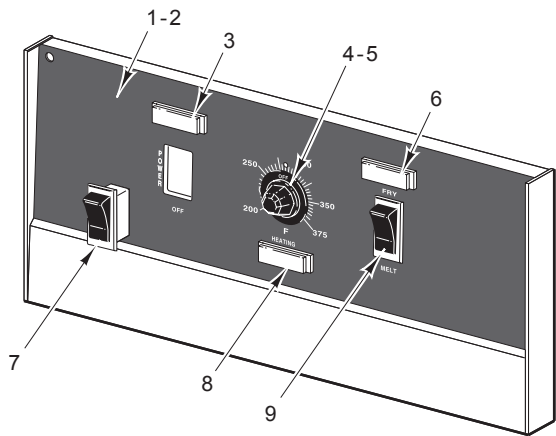


PL-55470

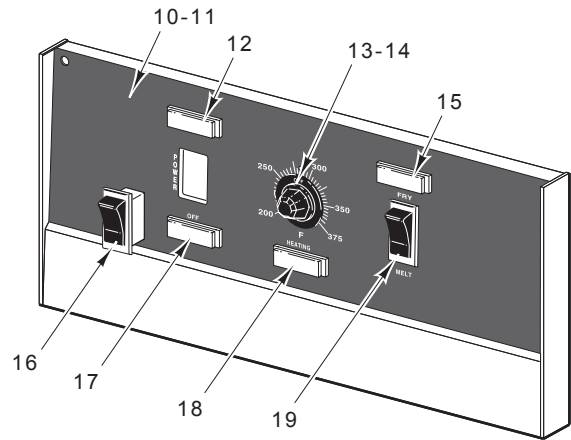
**CONTROL PANEL* (C SERIES)
(PREVIOUS CONSTRUCTION)**

ILLUS.	PART NO.	NAME OF PART	AMT.
PL-55470			
1	00-419385-000G1	Control Panel (HGC35/45F)	1
2	00-419386-000G1	Control Panel (HGC65/85F)	1
3	00-419557-00008	Board & Panel Assy.	1
4	NS-046-89	Nut Assy. 6-32 Hex KEPS	6
5	00-411496-000B8	Switch – Rocker	1

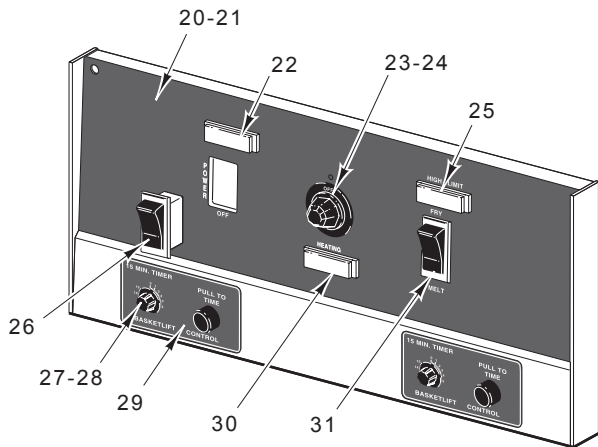
*Used on fryers built prior to June 2002.



WITHOUT ELECTRONIC IGNITION

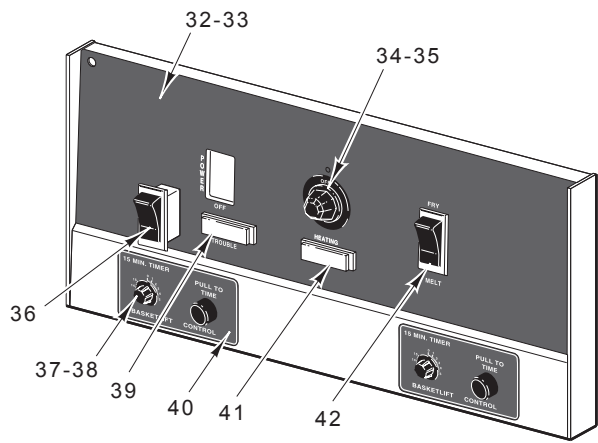


WITH ELECTRONIC IGNITION



WITHOUT ELECTRONIC IGNITION,
WITH BASKETLIFT

PL-55473



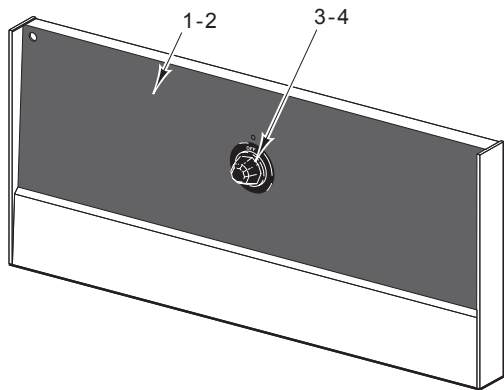
WITH ELECTRONIC IGNITION,
WITH BASKETLIFT

**CONTROL PANEL (D SERIES)
(PREVIOUS CONSTRUCTION)**

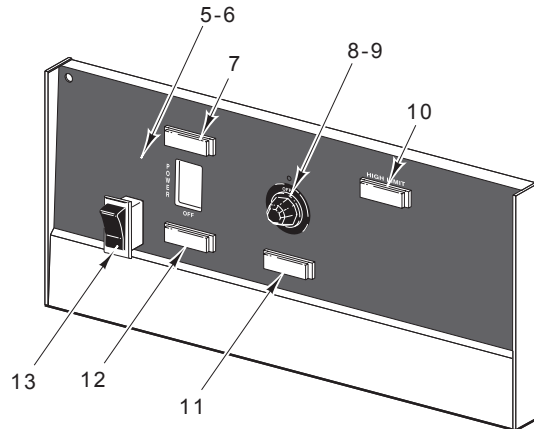
**CONTROL PANEL* (D SERIES)
(PREVIOUS CONSTRUCTION)**

ILLUS. PL-55473	PART NO.	NAME OF PART	AMT.
1	00-418386-00002	Overlay – Control Panel (HGD35/45F)	1
2	00-418389-00002	Overlay – Control Panel (HGD65/85F)	1
3	00-411496-000E8	Light – Indicator (Red)	1
4	00-414254-00001	Knob – Thermostat	1
5	00-415638-000G1	Potentiometer	1
6	00-411496-000E8	Light – Indicator (Red)	1
7	00-411496-000B1	Switch – Rocker	1
8	00-411496-000E9	Light – Indicator (Amber) (Heat)	1
9	00-411496-000B7	Switch – Rocker	1
10	00-418387-00002	Overlay – Control Panel (HGD35/45F)	1
11	00-418388-00002	Overlay – Control Panel (HGD65/85F)	1
12	00-411496-000E8	Light – Indicator (Red)	1
13	00-414254-00001	Knob – Thermostat	1
14	00-415638-000G1	Potentiometer	1
15	00-411496-000E8	Light – Indicator (Red)	1
16	00-411496-000B1	Switch – Rocker	1
17	00-411496-00E10	Light – Indicator (Trouble)	1
18	00-411496-000E9	Light – Indicator (Amber) (Heat)	1
19	00-411496-000B7	Switch – Rocker	1
20	00-418386-00002	Overlay – Control Panel (HGD35/45F)	1
21	00-418389-00002	Overlay – Control Panel (HGD65/85F)	1
22	00-411496-000E8	Light – Indicator (Red)	1
23	00-414254-00001	Knob – Thermostat	1
24	00-415638-000G1	Potentiometer	1
25	00-411496-000E8	Light – Indicator (Red)	1
26	00-411496-000B1	Switch – Rocker	1
27	00-415254-00002	Timer – Basketlift (Solid State)	AR
28	00-415269-00001	Knob – Basketlift Timer	1
29	00-415255-00004	Overlay – Basketlift	AR
30	00-411496-000E9	Light – Indicator (Amber) (Heat)	1
31	00-411496-000B7	Switch – Rocker	1
32	00-418387-00002	Overlay – Control Panel (HGD35/45F)	1
33	00-418388-00002	Overlay – Control Panel (HGD65/85F)	1
34	00-414254-00001	Knob – Thermostat	1
35	00-415638-000G1	Potentiometer	1
36	00-411496-000B1	Switch – Rocker	1
37	00-415254-00002	Timer – Basketlift (Solid State)	1
38	00-415269-00001	Knob – Basketlift Timer	1
39	00-411496-00E10	Light – Indicator (Trouble)	1
40	00-415255-00004	Overlay – Basketlift	AR
41	00-411496-000E8	Light – Indicator (Red)	1
42	00-411496-000B7	Switch – Rocker	1

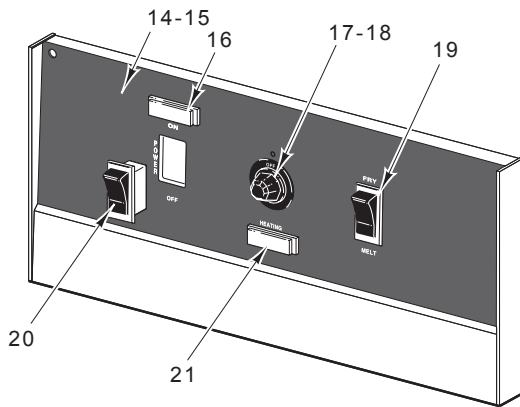
*Used on fryers built prior to June 2002.



WITH KX THERMOSTAT

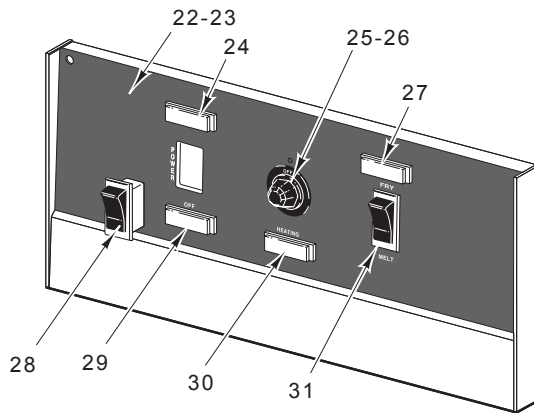


WITH ELECTRONIC IGNITION



WITH MELT CYCLE

PL-55471

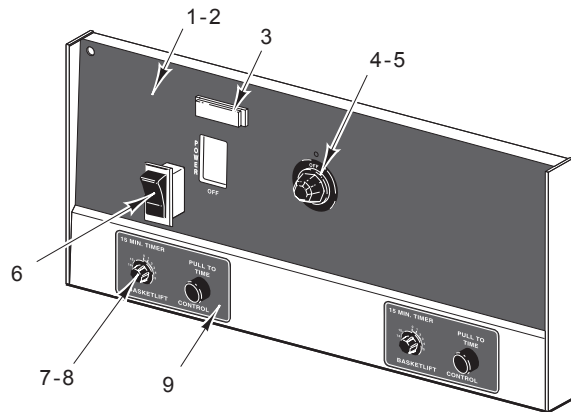


WITH ELECTRONIC IGNITION & MELT CYCLE

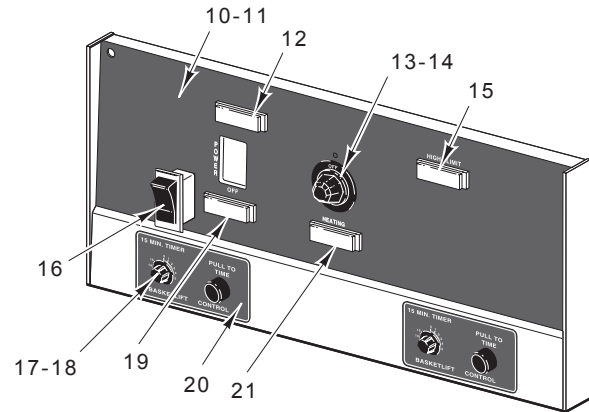
**CONTROL PANEL
(HGSF SERIES)**

**CONTROL PANEL
(HGSF SERIES)**

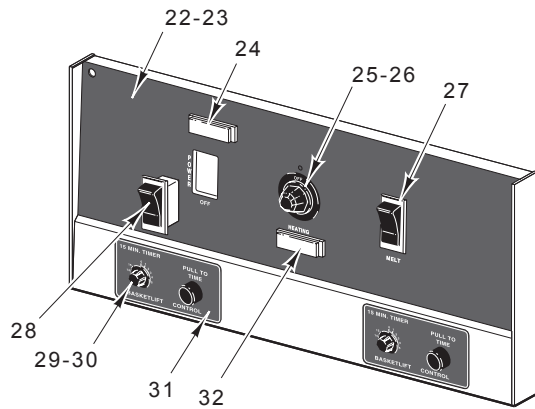
ILLUS. PL-55471	PART NO.	NAME OF PART	AMT.
1	00-418456-00002	Overlay – Control Panel (HGS35/45F)	1
2	00-418461-00002	Overlay – Control Panel (HGS65/85F)	1
3	00-408659-00006	Knob – Thermostat	1
4	00-419999-00002	Thermostat – Millivolt	1
5	00-418457-00002	Overlay – Control Panel (HGS35/45F)	1
6	00-418463-00002	Overlay – Control Panel (HGS65/85F)	1
7	00-411496-000E8	Light – Indicator (Red)	1
8	00-408659-00006	Knob – Thermostat	1
9	00-419999-00002	Thermostat – Millivolt	1
10	00-411496-000E8	Light – Indicator (Red)	1
11	00-411496-000E9	Light – Indicator (Amber) (Heat)	1
12	00-411496-00E10	Light – Indicator (Trouble)	1
13	00-411496-000B1	Switch – Rocker	1
14	00-418455-00002	Overlay – Control Panel (HGS35/45F)	1
15	00-418460-00002	Overlay – Control Panel (HGS65/85F)	1
16	00-411496-000E8	Light – Indicator (Red)	1
17	00-408659-00006	Knob – Thermostat	1
18	00-419999-00002	Thermostat – Millivolt	1
19	00-411496-000B2	Switch – Rocker (DTDP)	1
20	00-411496-000B1	Switch – Rocker	1
21	00-411496-000E9	Light – Indicator (Amber) (Heat)	1
22	00-418454-00002	Overlay – Control Panel (HGS35/45F)	1
23	00-418462-00002	Overlay – Control Panel (HGS65/85F)	1
24	00-411496-000E8	Light – Indicator (Red)	1
25	00-408659-00006	Knob – Thermostat	1
26	00-419999-00002	Thermostat – Millivolt	1
27	00-411496-000E8	Light – Indicator (Red)	1
28	00-411496-000B1	Switch – Rocker	1
29	00-411496-00E10	Light – Indicator (Trouble)	1
30	00-411496-000E9	Light – Indicator (Amber) (Heat)	1
31	00-411496-000B2	Switch – Rocker (DTDP)	1
	00-416535-00004	Relay SPDT (24 V. Coil) (Electronic Ignition) (Located on Rear of Panel)	1
	00-414247-00007	Timer – Melt Cycle (Solid State) (Located on Rear of Panel)	1



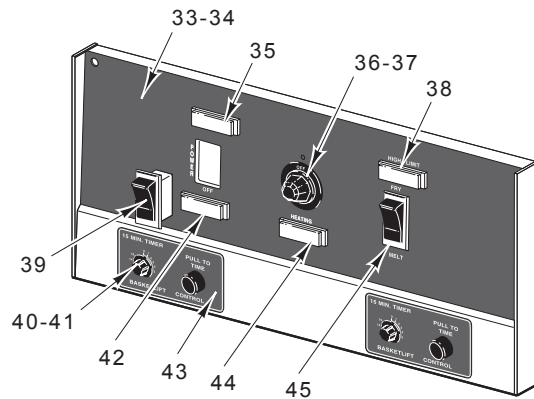
WITH KX THERMOSTAT



WITH ELECTRONIC IGNITION



WITH MELT CYCLE



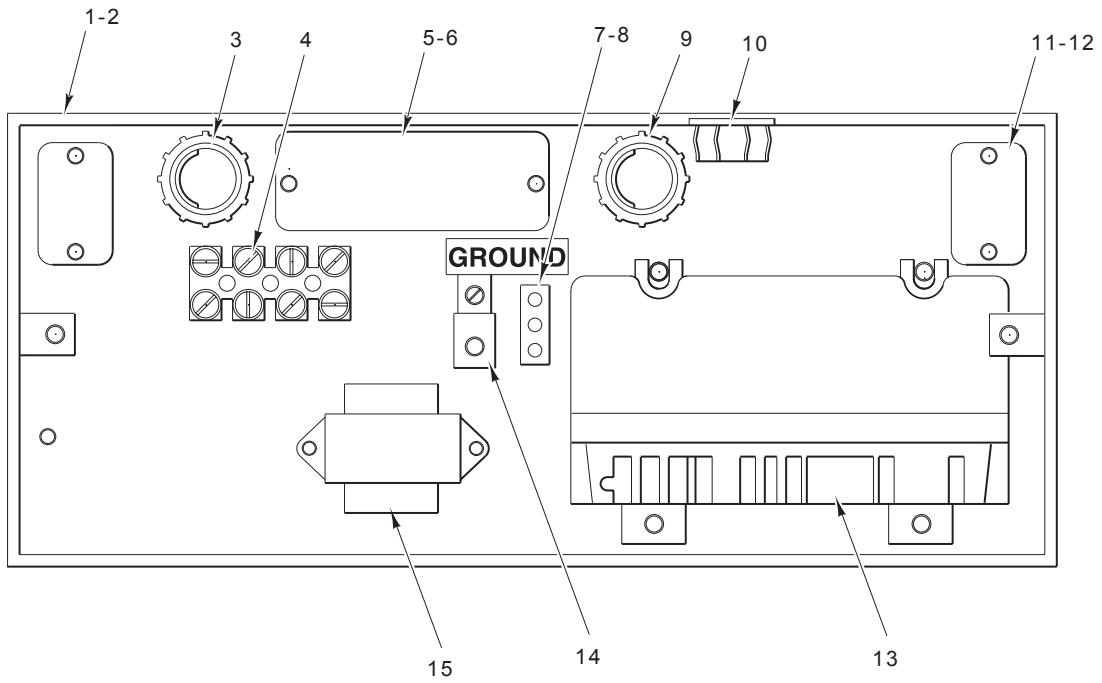
WITH ELECTRONIC IGNITION & MELT CYCLE

PL-55472

**CONTROL PANEL
(HGSF SERIES W/BASKETLIFT)**

**CONTROL PANEL
(HGSF SERIES W/BASKETLIFT)**

ILLUS. PL-55472	PART NO.	NAME OF PART	AMT.
1	00-418458-00002	Overlay – Control Panel (HGS35/45F)	1
2	00-418464-00002	Overlay – Control Panel (HGS65/85F)	1
3	00-411496-000E8	Light – Indicator (Red)	1
4	00-408659-00006	Knob – Thermostat	1
5	00-419999-00002	Thermostat – Millivolt	1
6	00-411496-000B1	Switch – Rocker	1
7	00-415269-00001	Knob – Basketlift Timer	AR
8	00-415254-00002	Timer – Basketlift (Solid State)	AR
9	00-415255-00004	Overlay – Basketlift	AR
10	00-418457-00002	Overlay – Control Panel (HGS35/45F)	1
11	00-418463-00002	Overlay – Control Panel (HGS65/85F)	1
12	00-411496-000E8	Light – Indicator (Red)	1
13	00-408659-00006	Knob – Thermostat	1
14	00-419999-00002	Thermostat – Millivolt	1
15	00-411496-000E8	Light – Indicator (Red)	1
16	00-411496-000B1	Switch – Rocker	1
17	00-415269-00001	Knob – Basketlift Timer	AR
18	00-415254-00002	Timer – Basketlift (Solid State)	AR
19	00-411496-00E10	Light – Indicator (Trouble)	1
20	00-415255-00004	Overlay – Basketlift	AR
21	00-411496-000E9	Light – Indicator (Amber) (Heat)	1
22	00-418455-00002	Overlay – Control Panel (HGS35/45F)	1
23	00-418460-00002	Overlay – Control Panel (HGS65/85F)	1
24	00-411496-000E8	Light – Indicator (Red)	1
25	00-408659-00006	Knob – Thermostat	1
26	00-419999-00002	Thermostat – Millivolt	AR
27	00-411496-000B2	Switch – Rocker (DTDP)	AR
28	00-411496-000B1	Switch – Rocker	1
29	00-415269-00001	Knob – Basketlift Timer	1
30	00-415254-00002	Timer – Basketlift (Solid State)	1
31	00-415255-00004	Overlay – Basketlift	AR
32	00-411496-000E9	Light – Indicator (Amber) (Heat)	AR
33	00-418454-00002	Overlay – Control Panel (HGS35/45F)	1
34	00-418462-00002	Overlay – Control Panel (HGS65/85F)	1
35	00-411496-000E8	Light – Indicator (Red)	1
36	00-408659-00006	Knob – Thermostat	1
37	00-419999-00002	Thermostat – Millivolt	1
38	00-411496-000E8	Light – Indicator (Red)	1
39	00-411496-000B1	Switch – Rocker	1
40	00-415269-00001	Knob – Basketlift Timer	1
41	00-415254-00002	Timer – Basketlift (Solid State)	1
42	00-411496-00E10	Light – Indicator (Trouble)	1
43	00-415255-00004	Overlay – Basketlift	AR
44	00-411496-000E9	Light – Indicator (Amber) (Heat)	1
45	00-411496-000B2	Switch – Rocker (DTDP)	1
	00-416535-00004	Relay SPDT (24 V. Coil) (Electronic Ignition) (Located on Rear of Panel)	1
	00-414247-00007	Timer – Melt Cycle (Solid State) (Located on Rear of Panel)	1



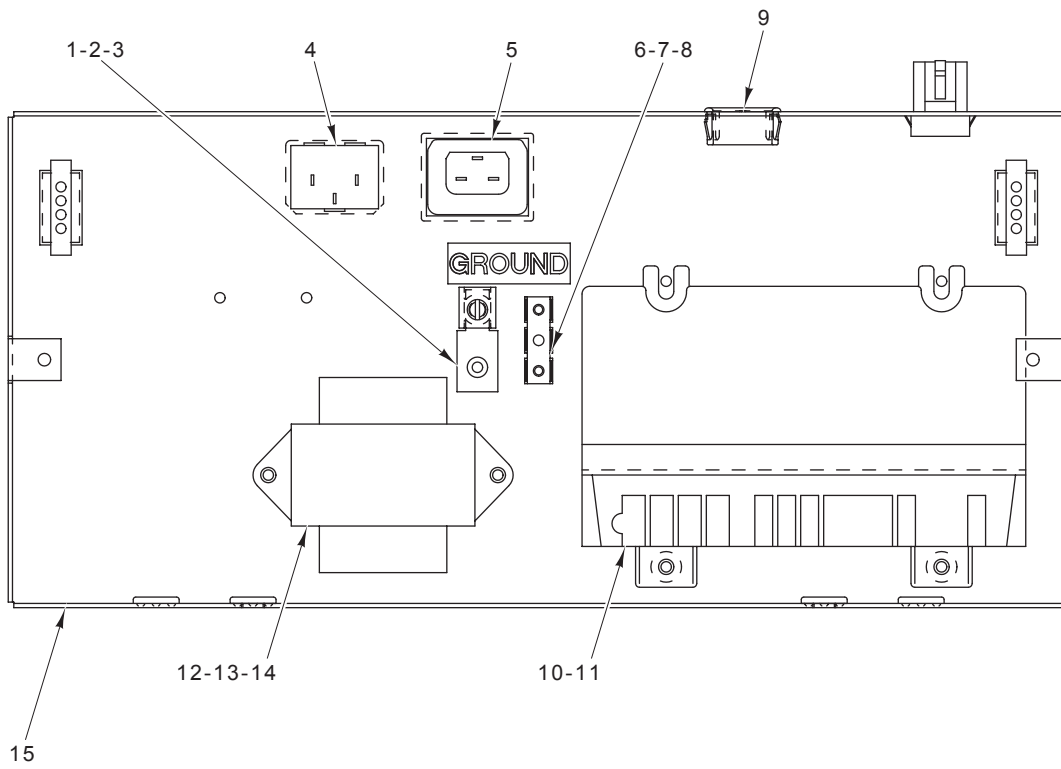
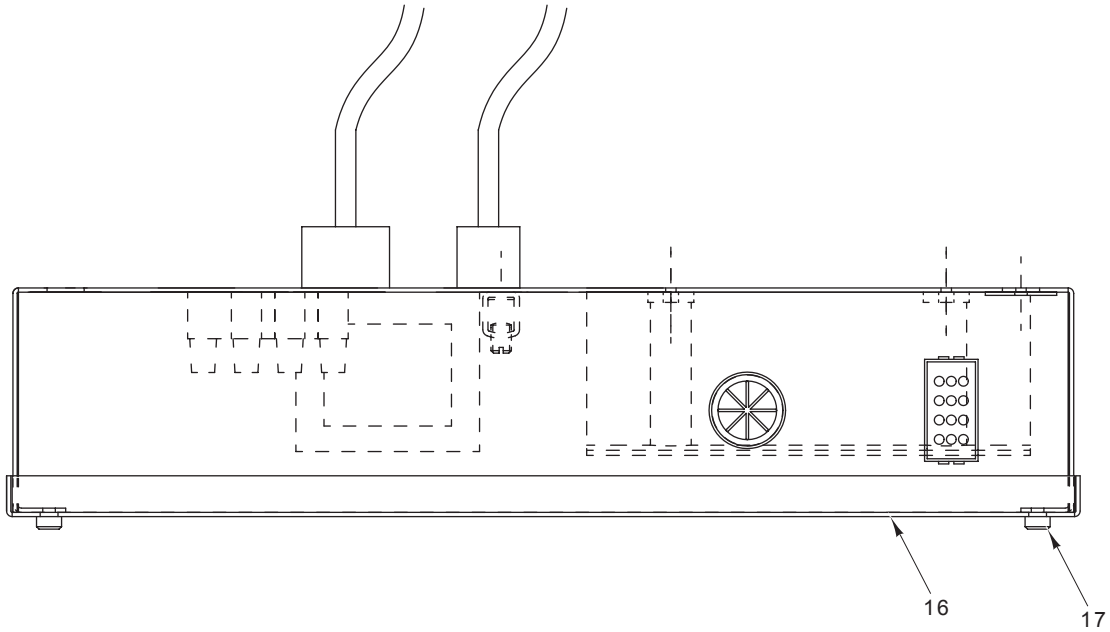
PL-55182

**POWER SUPPLY BOX
(PREVIOUS CONSTRUCTION)**

**POWER SUPPLY BOX*
(PREVIOUS CONSTRUCTION)**

ILLUS.	PART NO.	NAME OF PART	AMT.
PL-55182			
1	00-419302-000G1	Box – Power Supply	1
2	00-419301-00002	Cover – Power Supply Box	1
3	FE-023-37	Connector – Conduit 1/2 TS	1
4	00-414208-00002	Barrier – Terminal	1
5	00-419375-00003	Cover – Plate	1
6	SC-060-23	Mach. Screw 4-40 x 1/4 Slotted Rd. Hd.	2
7	00-419317	Terminal – Ground	1
8	SC-060-23	Mach. Screw 4-40 x 1/4 Slotted Rd. Hd.	2
9	FE-023-37	Connector – Conduit 1/2 TS	1
10	FE-024-28	Bushing	AR
11	00-419375-00001	Cover – Plate	2
12	SC-060-23	Mach. Screw 4-40 x 1/4 Slotted Rd. Hd.	4
13	00-417980-00001	Ignitor – Module (Honeywell)	1
14	00-417856-00001	Lug – Grounding (With Set Screw)	1
15	00-411500-00012	Transformer (120 V.)	1
	00-419315	Power Cord	1
	00-419359	Cable – Ignitor	1
	00-419574-000G1	Power Supply Board (HGCF Only)	1

*Used on fryers built prior to June 2002.

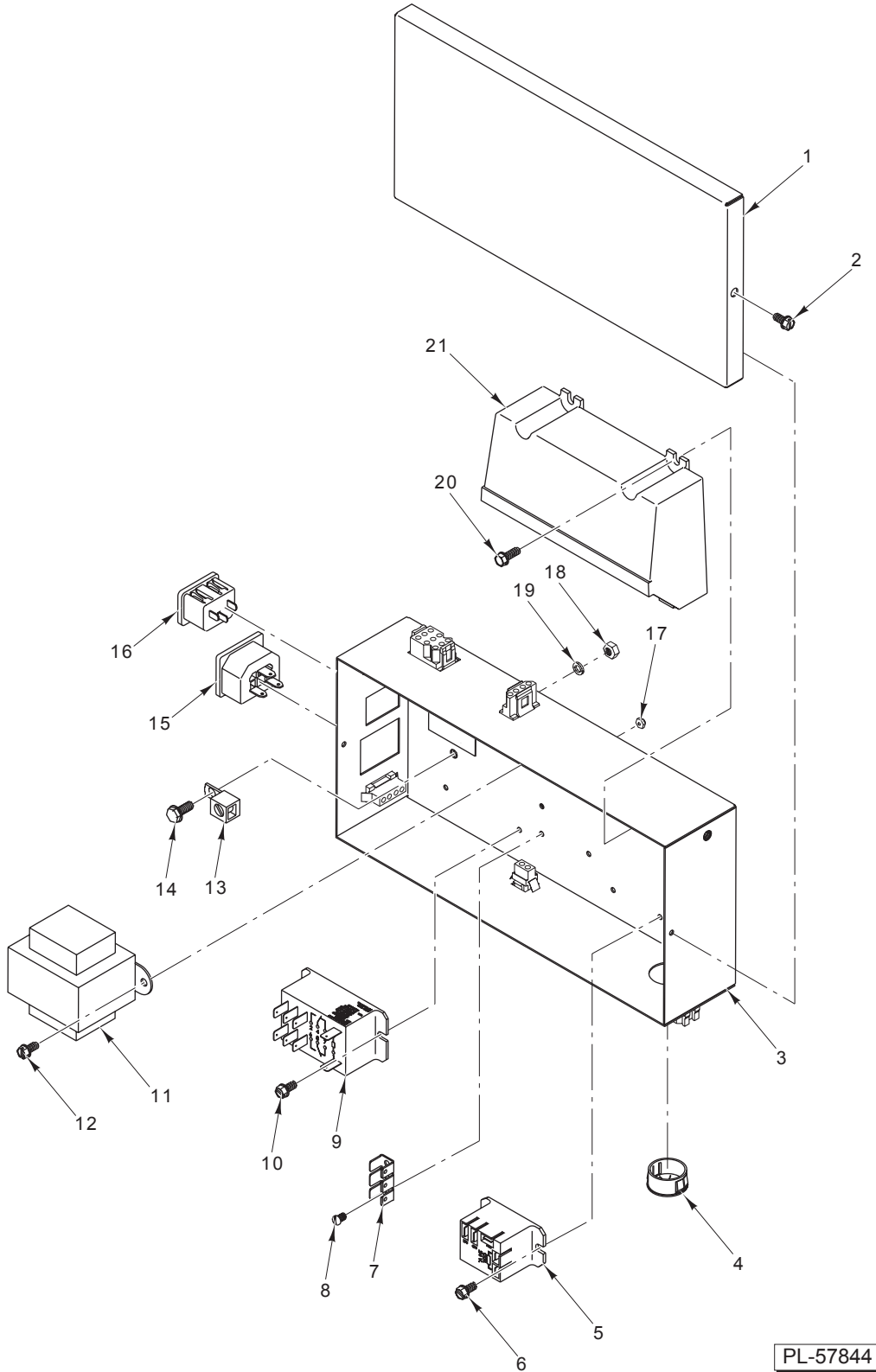


PL-56817

**POWER SUPPLY BOX
(PREVIOUS CONSTRUCTION AFTER 6/1/02 BEFORE 10/1/04)**

**POWER SUPPLY BOX
(PREVIOUS CONSTRUCTION AFTER 6/1/02 BEFORE 10/1/04)**

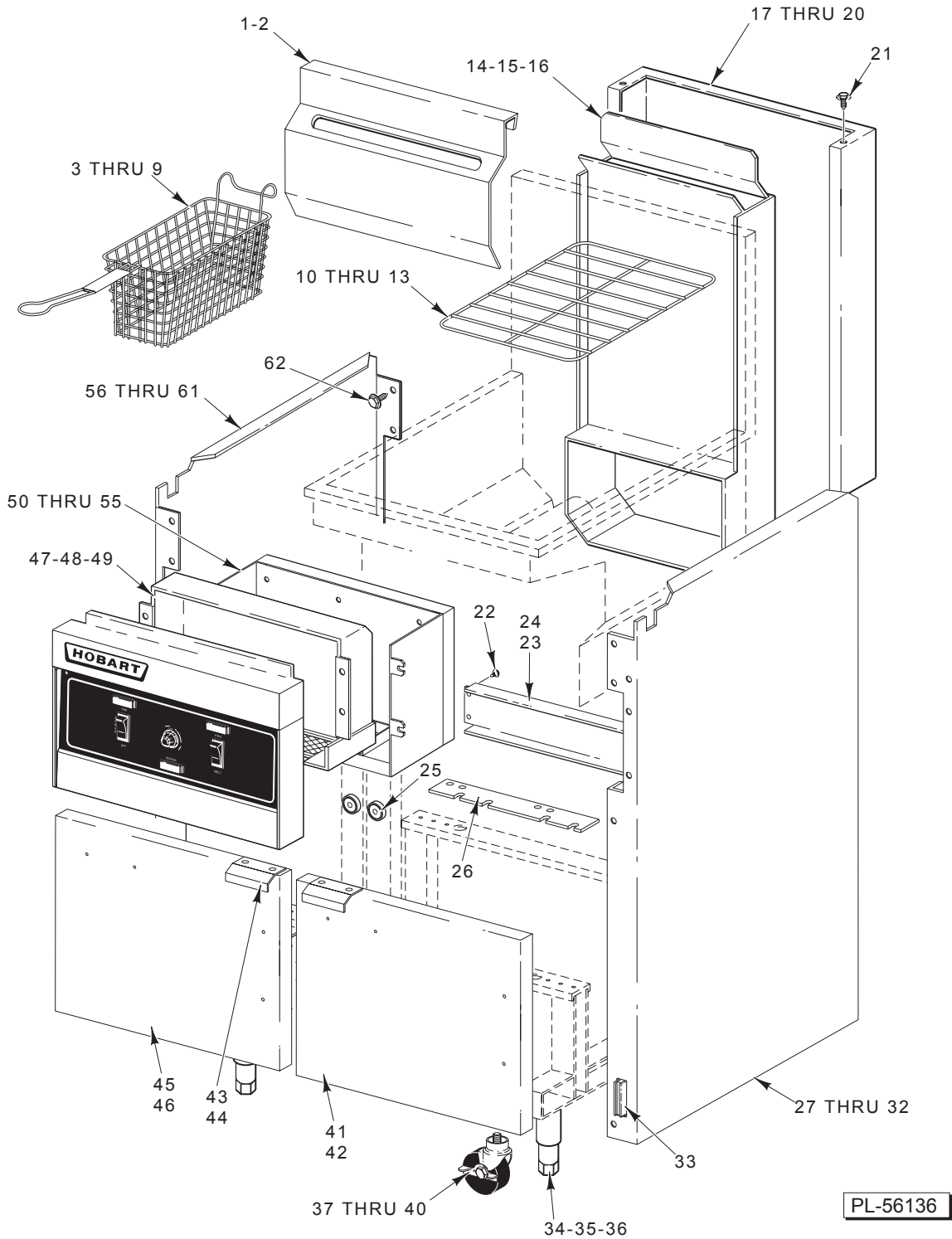
ILLUS.	PART NO.	NAME OF PART	AMT.
PL-56817			
1	SD-036-03	Self-Tapping Screw 8-18 x ³ / ₈ Slotted Hex Hd., Type AB	1
2	WL-004-40	Lockwasher #10 Helical	1
3	00-417856-00001	Lug – Ground	1
4	00-419973-000G1	Plug – Male	1
5	00-419973-000G2	Plug – Female	1
6	SC-060-23	Mach. Screw 4-4 x ¹ / ₄ Slotted Rd. Hd.	1
7	NS-047-32	Lock Nut SP 4-40	1
8	00-419317	Terminal	1
9	FE-024-28	Cord – Restraint	1
10	00-417980-00001	Module – Ignition (E. I. Only)	1
11	SD-037-49	Self-Tapping Screw 8-18 x ¹ / ₂ Hex Hd., Type AB	4
12	00-411500-00013	Transformer (240 V.)	1
13	00-411500-00012	Transformer (120 V.)	1
14	SD-036-03	Self-Tapping Screw 8-18 x ³ / ₈ Slotted Hex Hd., Type AB	2
15	00-427814-000G1	Box – Power Supply	1
16	00-427815-00001	Lid	1
17	SD-037-07	Self-Tapping Screw 10-16 x 2 Hex Washer Hd., Type AB	2



**POWER SUPPLY BOX
(CURRENT CONSTRUCTION AFTER 10/1/04)**

**POWER SUPPLY BOX
(CURRENT CONSTRUCTION AFTER 10/1/04)**

ILLUS. PL-57844	PART NO.	NAME OF PART	AMT.
1	00-428684-00001	Lid – Power Supply Box	1
2	SD-036-03	Self-Tapping Screw 8-18 x 3/8 Hex Washer Hd., Type AB	2
3	00-428716-000G1	Box – Power Supply	1
4	FE-024-28	Bushing – Electrical Snap	1
5	00-497125-00001	Relay (SPDT, 24 VAC)	1
6	SD-036-03	Self-Tapping Screw 8-18 x 3/8 Hex Washer Hd., Type AB	2
7	00-419317	Lug – Terminal	1
8	SC-060-23	Mach. Screw 4-40 x 1/4 Slotted Rd. Hd.	2
9	00-428864-00001	Relay	1
10	SD-036-03	Self-Tapping Screw 8-18 x 3/8 Hex Washer Hd., Type AB	2
11	00-411500-00012	Transformer (40 Amp, 120 V.)	1
12	SD-036-03	Self-Tapping Screw 8-18 x 3/8 Hex Washer Hd., Type AB	2
13	00-417856-00001	Lug – Ground	1
14	SD-032-07	Self-Tapping Screw 10-24 x 1/2 Hex Washer Hd., Type TT	1
15	00-419973-000G2	Receptacle – Female Power	1
16	00-419973-000G1	Receptacle – Male Power	1
17	NS-047-32	Lock Nut 4-40 Hex	2
18	NS-044-09	Nut Assy. 10-24 Hex KEPS	1
19	WL-004-40	Lockwasher #10 Helical	1
20	SD-037-49	Self-Tapping Screw 8-18 x 1/2 Hex Washer Hd., Type AB	4
21	00-417980-00001	Module – Ignition (Machines With Electronic Ignition)	1

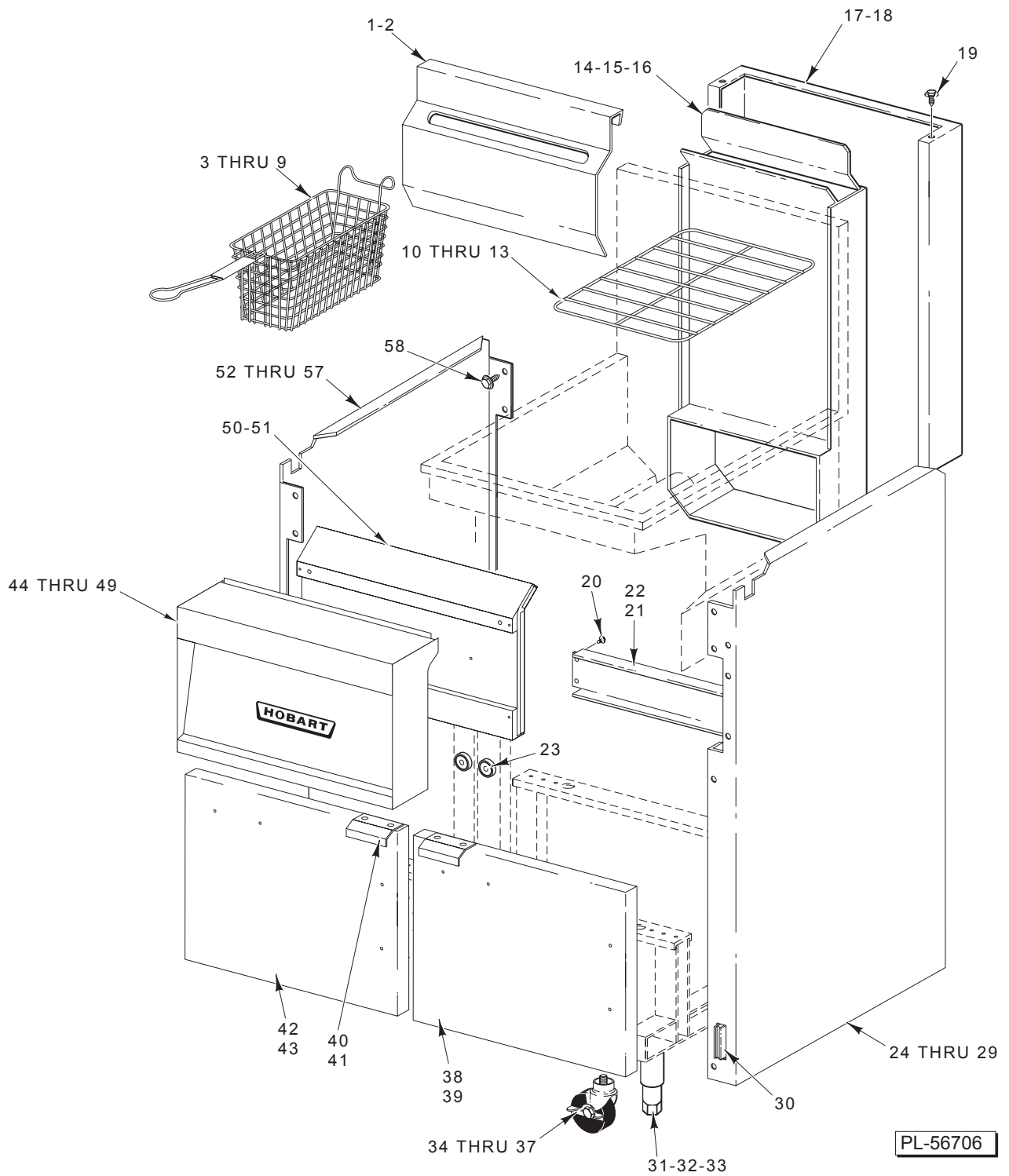


BODY UNIT

BODY UNIT

ILLUS.	PART NO.	NAME OF PART	AMT.
	PL-56136		
1	00-417056-00002	Hanger – Basket (HGS35/45F, HGD35/45F, & HGC35/45F)	2
2	00-418321-00002	Hanger – Basket (HGS65/85F, HGD65/85F, & HGC65/85F)	2
3	00-410737-00009	Basket – Twin (Black Handle) (HGS35/45F, HGD35/45F, & HGC35/45F)	AR
4	00-411378-00002	Basket – Large Single (HGS35/45F, HGD35/45F, & HGC35/45F)	AR
5	00-418380-00001	Basket – Single (HGS65F, HGD65F, & HGC65F)	AR
6	00-418335-00002	Basket – Twin (Black Handle) (HGS65F, HGD65F, & HGC65F)	AR
7	00-422869-00001	Basket – Single (HGS85F, HGD85F, & HGC85F)	AR
8	00-420580-00002	Basket – Twin (Black Handle) (HGS85F, HGD85F, & HGC85F)	AR
9	00-410737-00011	Basket – Triple (Black Handle)	AR
10	00-427883-00001	Screen – Crumb (HGS35F, HGD35F, & HGC35F)	2
11	00-427883-00002	Screen – Crumb (HGS45F, HGD45F, & HGC45F)	2
12	00-427883-00003	Screen – Crumb (HGS65F, HGD65F, & HGC65F)	2
13	00-427883-00004	Screen – Crumb (HGS85F, HGD85F, & HGC85F)	2
14	00-416994-000G1	Flue Box Assy. (3 Tube) (HGS35F, HGD35F, & HGC35F)	2
15	00-418201-000G1	Flue Box Assy. (4 Tube) (HGS45F, HGD45F, & HGC45F)	2
16	00-418205-000G1	Flue Box Assy. (5 Tube) (HGS65/85F, HGD65/85F, & HGC65/85F)	2
17	00-418125-000G2	Flue – Wrap (W/Basketlift) (HGS35/45F, HGD35/45F, & HGC35/45F)	2
18	00-416959-00002	Flue – Wrap (SST) (HGS35/45F, HGD35/45F, & HGC35/45F)	2
19	00-418126-000G2	Flue – Wrap (W/Basketlift) (HGS65/85F, HGD65/85F, & HGC65/85F)	2
20	00-418336-00002	Flue – Wrap (SST) (HGS65/85F, HGD65/85F, & HGC65/85F)	2
21	SD-032-07	Self-Tapping Screw 10-24 x 1/2 Hex Washer Hd., Type TT	4
22	SD-032-07	Self-Tapping Screw 10-24 x 1/2 Hex Washer Hd., Type TT	10
23	00-417014-00001	Bracket – Rear Support (15.5 In.)	2
24	00-418320-00001	Bracket – Rear Support (21 In.)	2
25	00-497296-000G1	Magnet Assy.	2
26	00-419580	Bracket – Power Supply Mounting	1
27	00-426765-00003	Body – LH Side (Alum.) (HGS35/45F, HGD35/45F, & HGC35/45F)	1
28	00-426764-00003	Body – LH Side (SST) (HGS35/45F, HGD35/45F, & HGC35/45F)	1
29	00-419777-00003	Body – LH Side (SST) (HGS85F, HGD85F, & HGC85F)	1
30	00-417711-00001	Body – LH Side (SST) (HGS35/45/65F, HGD35/45/65F, & HGC35/45/65F)	1
31	00-419648-00001	Body – LH Side (SST) (HGD35/45/65F & HGC35/45/65F)	1
32	00-420596-00003	Body – LH Side (SST) (NFR) (HGD85F & HGC85F)	1
33	00-426573-00002	Catch – Magnetic	2
34	00-413112-00007	Leg (6 1/4 In.) (SST)	4
35	00-413112-00009	Leg (6 In.) (SST)	4
36	00-413112-00010	Plate (Use with Item 35)	4
37	00-418907-00001	Caster – Swivel Assy. (Adjustable)	2
38	00-418907-00003	Caster	2
39	00-421893-00001	Caster – Plate Mount (4 In.) (After 4/17/95)	2
40	00-421893-00002	Caster – No Brake (4 In.) (After 4/17/95)	2
41	00-426582-000G2	Door Assy. (RH) (HGS35/45F, HGD35/45F, & HGC35/45F)	1
42	00-426582-000G6	Door Assy. (RH) (HGS65/85F, HGD65/85F, & HGC65/85F)	1
43	00-419653	Handle	2
44	RS-033-09	Rivet – Pop (0.187)	4
45	00-426582-000G1	Door Assy. (LH) (HGS35/45F, HGD35/45F, & HGC35/45F)	1
46	00-426582-000G5	Door Assy. (LH) (HGS65/85F, HGD65/85F, & HGC65/85F)	1
*47	00-415144-00011	Board – Temperature (HGDF Series) (Previous Construction)	2
*48	00-419379-00001	Probe – Thermistor (HGCF Series) (Previous Construction) (HGF Series – Current Construction)	2
*49	00-419379-00002	Probe – Thermistor (HGDF Series) (Previous Construction)	2
50	00-427018-000G1	Heat Shield (HGC35/45F & HGD35/45F) (Previous Construction)	1
51	00-427018-000G2	Heat Shield (HGS35F & HGS45F)	1
52	00-427044-000G1	Heat Shield (HGC65/85F & HGD65/85F) (Previous Construction)	1
53	00-427044-000G2	Heat Shield (HGS65F & HGS85F)	1
54	00-428542-00001	Heat Shield (HGC35/45F & HGD35/45F) (Current Construction)	1
55	00-428689-00001	Heat Shield (HGC65/85F & HGD65/85F) (Current Construction)	1
56	00-419777-00004	Body – RH Side (SST) (HGS85F, HGD85F, & HGC85F)	1
57	00-417711-00002	Body – RH Side (SST) (HGS35/45/65F, HGD35/45/65F, & HGC35/45/65F)	1
58	00-426764-00004	Body – RH Side (SST) (HGS85F, HGD85F, & HGC85F)	1
59	00-426765-00004	Body – RH Side (Alum.) (HGS35/45/65F, HGD35/45/65F, & HGC35/45/65F)	1
60	00-419648-00001	Body – RH Side (SST) (HGD35/45/65F & HGC35/45/65F)	1
61	00-420596-00003	Body – RH Side (SST) (NFR) (HGD85F & HGC85F)	1
62	SD-036-03	Self-Tapping Screw 8-18 x 3/8 Hex Washer Hd., Type AB	1

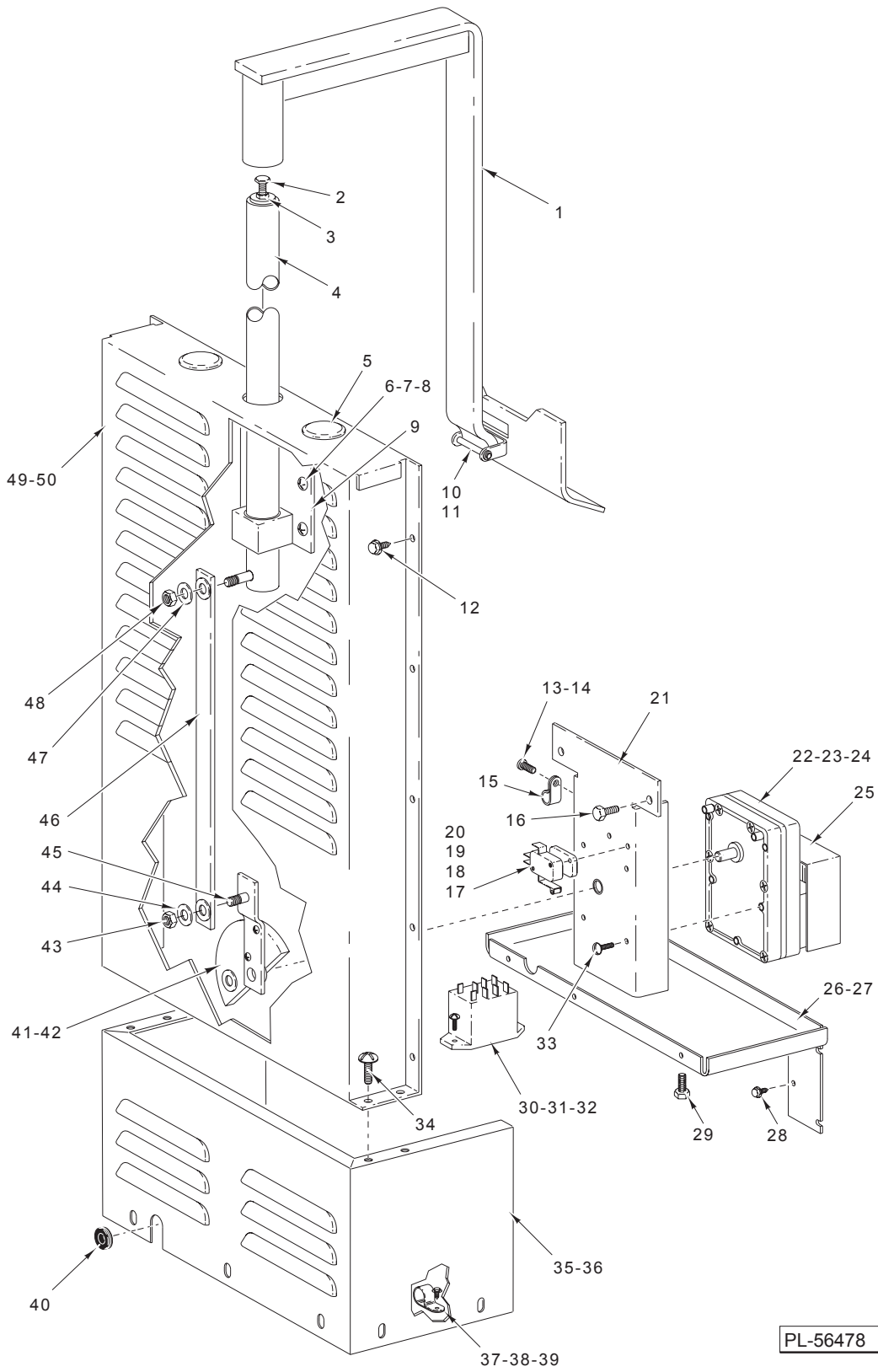
*Used on fryers built prior to June 2002. Thermistor Probe currently used on HGF Series.



**BODY UNIT
(HGF SERIES)**

**BODY UNIT
(HGF SERIES)**

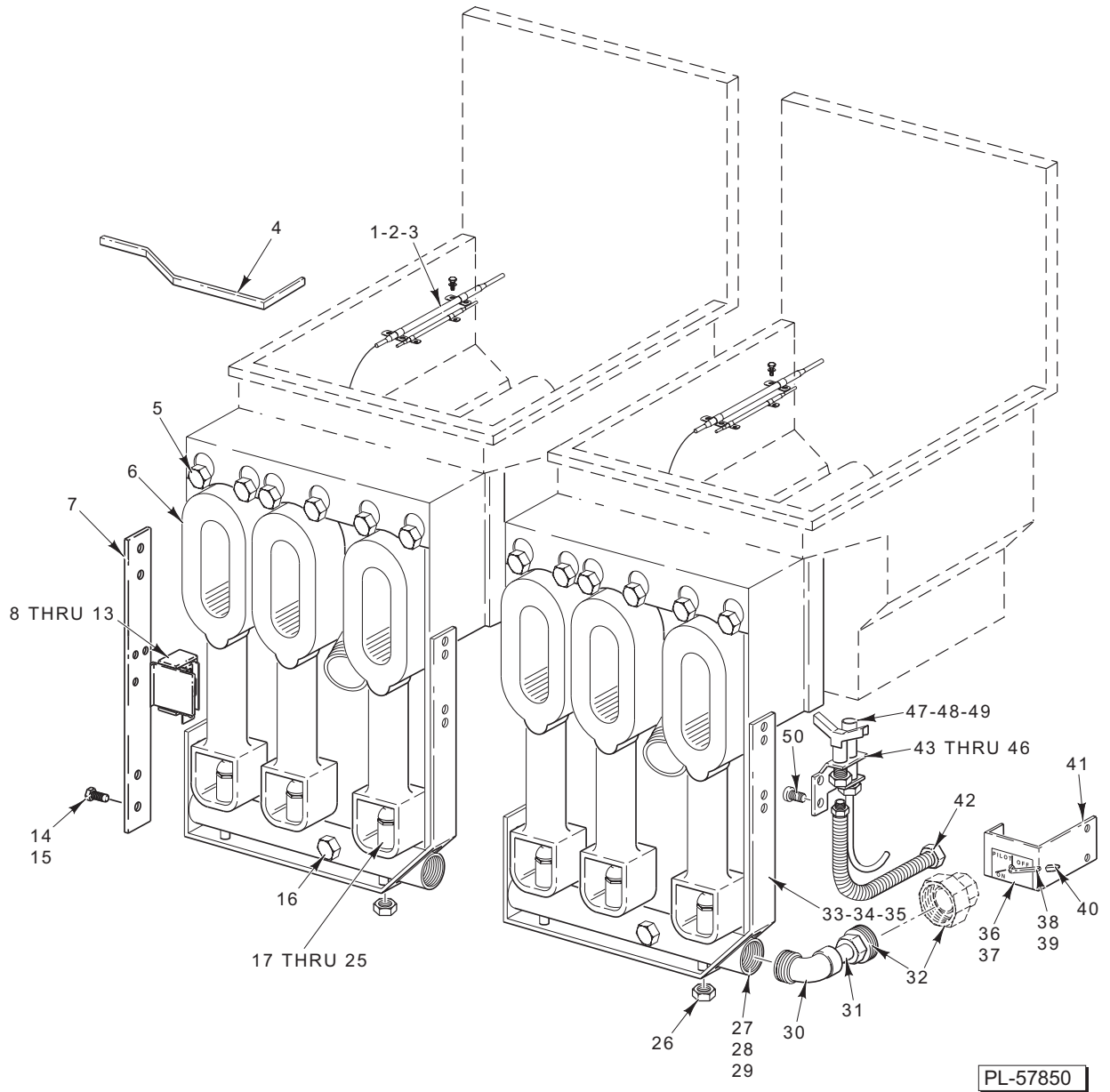
ILLUS.	PART NO.	NAME OF PART	AMT.
	PL-56706		
1	00-417056-00002	Hanger – Basket (HG35/45F)	2
2	00-418321-00002	Hanger – Basket (HG65/85F)	2
3	00-410737-00009	Basket – Twin (Black Handle) (HG35/45F)	AR
4	00-411378-00002	Basket – Large Single (HG35/45F)	AR
5	00-418380-00001	Basket – Single (HG65F)	AR
6	00-418335-00002	Basket – Twin (Black Handle) (HG65F)	AR
7	00-422869-00001	Basket – Single (HG85F)	AR
8	00-420580-00002	Basket – Twin (Black Handle) (HG85F)	AR
9	00-410737-00011	Basket – Triple (Black Handle) (HG65F)	AR
10	00-427883-00001	Rack – Crumb (HG35F)	2
11	00-427883-00002	Rack – Crumb (HG45F)	2
12	00-427883-00003	Rack – Crumb (HG65F)	2
13	00-427883-00004	Rack – Crumb (HG85F)	2
14	00-416994-000G1	Flue Box Assy. (HG35F)	2
15	00-418201-000G1	Flue Box Assy. (HG45F)	2
16	00-418205-000G1	Flue Box Assy. (HG65/85F)	2
17	00-416959-00002	Flue – Wrap (SST) (HG35/45F)	2
18	00-418336-00002	Flue – Wrap (SST) (HG65/85F)	2
19	SD-032-07	Self-Tapping Screw 10-24 x 1/2 Hex Washer Hd., Type TT	4
20	SD-032-07	Self-Tapping Screw 10-24 x 1/2 Hex Washer Hd., Type TT	10
21	00-417014-00001	Bracket – Rear Support (15.5 In.) (HG35/45F)	2
22	00-418320-00001	Bracket – Rear Support (21 In.) (HG65/85F)	2
23	00-497296-000G1	Magnet Assy.	2
24	00-426765-00003	Body – LH Side (Alum.) (HG35/45/65F)	1
25	00-426764-00003	Body – LH Side (SST) (HG85F)	1
26	00-419777-00003	Body – LH Side (SST) (HG85F)	1
27	00-417711-00001	Body – LH Side (SST) (HG35/45/65F)	1
28	00-420596-00003	Body – LH Side (SST) (NFR) (HG85F)	1
29	00-419648-00001	Body – LH Side (SST) (HG35/45/65F)	1
30	00-426573-00002	Catch – Magnetic	2
31	00-413112-00007	Leg (6 1/4 In.) (SST)	4
32	00-413112-00009	Leg (6 In.) (SST)	4
33	00-413112-00010	Plate (Use with Item 32)	4
34	00-418907-00001	Caster – Swivel Assy. (Adjustable)	2
35	00-418907-00003	Caster	2
36	00-421893-00001	Caster – Plate Mount (4 In.) (After 4/17/95)	2
37	00-421893-00002	Caster – No Brake (4 In.) (After 4/17/95)	2
38	00-426582-000G6	Door Assy. (RH) (HG65/85F)	1
39	00-426582-000G2	Door Assy. (RH) (HG35/45F)	1
40	00-419653	Handle	2
41	RS-033-09	Rivet – Pop (0.187)	4
42	00-426582-000G5	Door Assy. (LH) (HG65/85F)	1
43	00-426582-000G1	Door Assy. (LH) (HG35/45F)	1
44	00-428116-000G3	Frame – Front Assy. (HG35/45F)	1
45	00-428116-000G4	Frame – Front Assy. (HG65/85F)	1
46	00-428116-000G5	Frame – Front Assy. (HG35/45F) (3 Unit)	1
47	00-428116-000G6	Frame – Front Assy. (HG65/85F) (3 Unit)	1
48	00-428116-000G7	Frame – Front Assy. (HG35/45F) (4 Unit)	1
49	00-209000	Nameplate (Hobart)	1
50	00-418379-000G1	Heat Shield (HG35/45F)	1
51	00-418324-000G1	Heat Shield (HG65/85F)	1
52	00-419777-00004	Body – RH Side (SST) (HG85F)	1
53	00-417711-00002	Body – RH Side (SST) (HG35/45/65F)	1
54	00-426764-00004	Body – RH Side (SST) (HG85F)	1
55	00-426765-00004	Body – RH Side (SST) (HG35/45/65F)	1
56	00-420596-00004	Body – RH Side (SST) (NFR) (HG85F)	1
57	00-419648-00002	Body – RH Side (SST) (HG35/45/65F)	1
58	SD-036-03	Self-Tapping Screw 8-18 x 3/8 Hex Washer Hd., Type AB	1



BASKETLIFT COMPONENTS

BASKETLIFT COMPONENTS

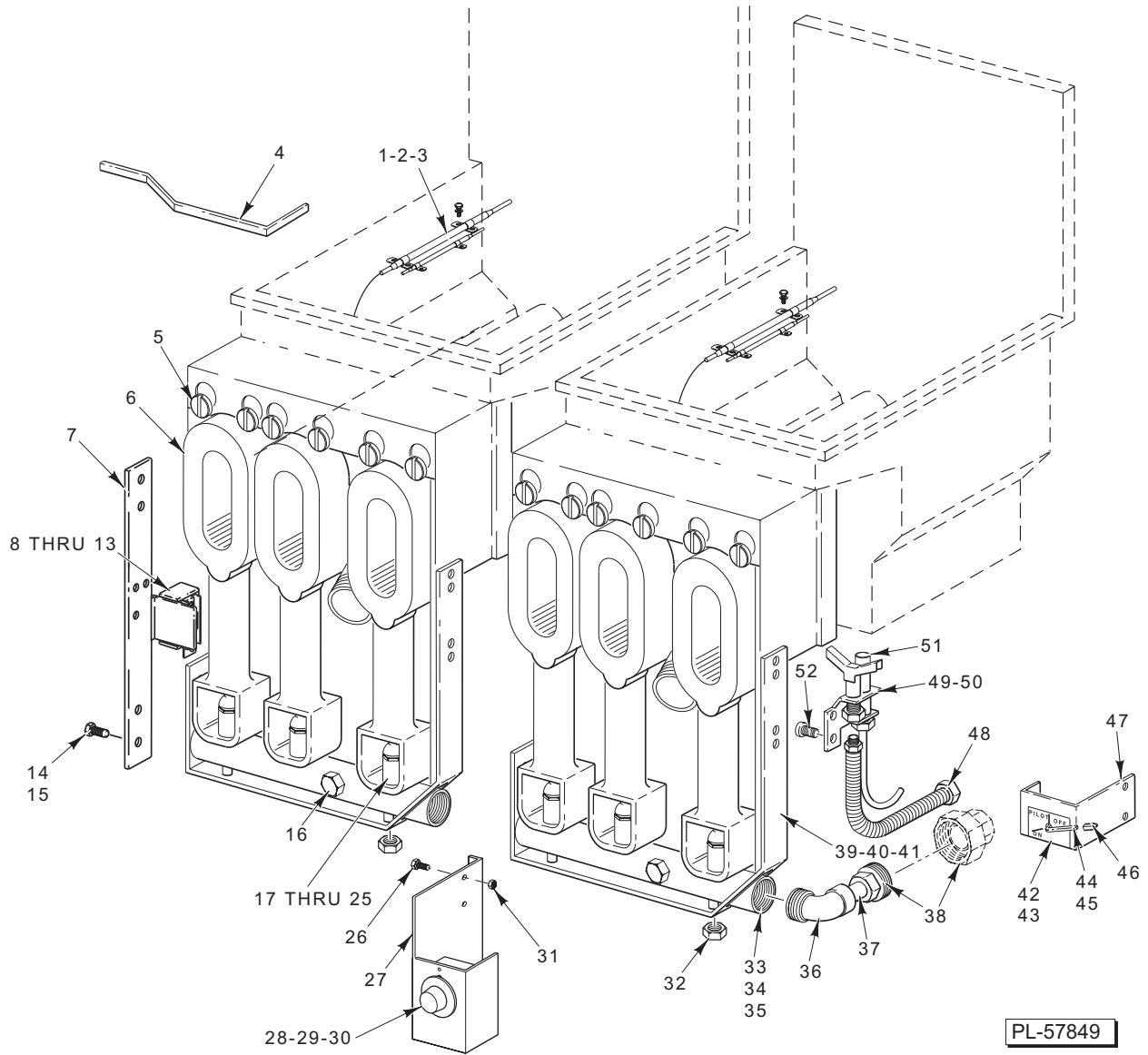
ILLUS. PL-56478	PART NO.	NAME OF PART	AMT.
1	00-418474-000G1	Arm – Basket Assy. (Incls. Items 10 & 11)	1
2	00-418118-00001	Bolt – Adjusting	1
3	NS-018-01	Jam Nut 1/4-20 Hex (SST)	1
4	00-418479-000G1	Tube – Basketlift	1
5	PB-004-04	Plug Button 1 1/4 (Single Unit)	2
6	SD-032-07	Self-Tapping Screw 10-24 x 1/2 Hex Washer Hd., Type TT	2
7	WS-004-33	Washer	6
8	NS-047-73	Lock Nut 5/8-18 Hex (SST)	6
9	00-418478-000G1	Bearing Support Assy.	1
10	00-418487-00001	Roller	1
11	00-418488-00001	Pin – Roller	1
12	SD-036-03	Self-Tapping Screw 8-18 x 3/8 Slotted Hex Washer Hd., Type AB	10
13	SC-109-10	Mach. Screw 6-32 x 3/8 Slotted Pan Hd. (SST)	1
14	NS-009-07	Mach. Nut 6-32 Hex	1
15	00-078752-00012	Clamp – Cable 3/8 P	1
16	SC-037-80	Cap Screw 10-24 x 1/2 Hex Hd.	8
17	00-418159-00001	Block – Cam Switch	1
18	00-411496-000F3	Microswitch	1
19	SC-112-90	Mach. Screw 4-40 x 1 Slotted Pan Hd.	2
20	NS-009-02	Mach. Nut 4-40 Hex	2
21	00-418123-000G1	Plate – Motor	1
22	00-418156-00001	Gear – Motor (115 V., 60 Hz.)	1
23	00-418156-00002	Gear – Motor (230 V., 50/60 Hz.)	1
24	00-418156-00003	Gear – Motor (208 V., 50/60 Hz.)	1
25	00-418517-00001	Shroud – Motor	1
26	00-418484-00001	Base – Motor Mounting (HG35 & HG45 Series)	1
27	00-418513-00001	Base – Motor Mounting (HG65 & HG85 Series)	1
28	SD-032-07	Self-Tapping Screw 10-24 x 1/2 Hex Washer Hd., Type TT	2
29	SC-037-80	Cap Screw 10-24 x 1/2 Hex Hd.	2
30	00-416535-00004	Switch – Relay SPDT 24 V. Coil (Electronic Ignition)	1
31	SC-109-10	Mach. Screw 6-32 x 3/8 Slotted Pan Hd. (SST)	3
32	NS-009-07	Mach. Nut 6-32 Hex	3
33	SC-018-47	Mach. Screw 10-32 x 3/4 Slotted Pan Hd.	4
34	SD-036-03	Self-Tapping Screw 8-18 x 3/8 Slotted Hex Washer Hd., Type AB	4
35	00-418480-00001	Wrap – Bottom (HG35 & HG45 Series)	1
36	00-418510-00001	Wrap – Bottom (HG65 & HG85 Series)	1
37	00-078752-00012	Clamp 3/8 P	1
38	SC-109-10	Mach. Screw 6-32 x 3/8 Slotted Pan Hd. (SST)	1
39	NS-009-07	Mach. Nut Hex 6-32	1
40	00-418482-00001	Grommet	1
41	00-418475-000G1	Crank – Arm Assy. (Incls. Items 42 & 43)	1
42	SC-055-02	Set Screw 1/4-20 x 1/4 Hdls., Cup Pt. (SST)	2
43	NS-047-73	Lock Nut 5/16-18 Hex	1
44	WS-004-33	Washer	1
45	SD-015-41	Self-Tapping Screw 8-32 x 1/2 Phil. Pan Hd.	2
46	00-418477-000G1	Coupler Assy.	1
47	WS-004-33	Washer	1
48	NS-047-73	Lock Nut 5/16-18 Hex	1
49	00-418481-00001	Wrap – Top (HG35 & HG45 Series)	1
50	00-418511-00001	Wrap – Top (HG65 & HG85 Series)	1



BURNER COMPONENTS

BURNER COMPONENTS

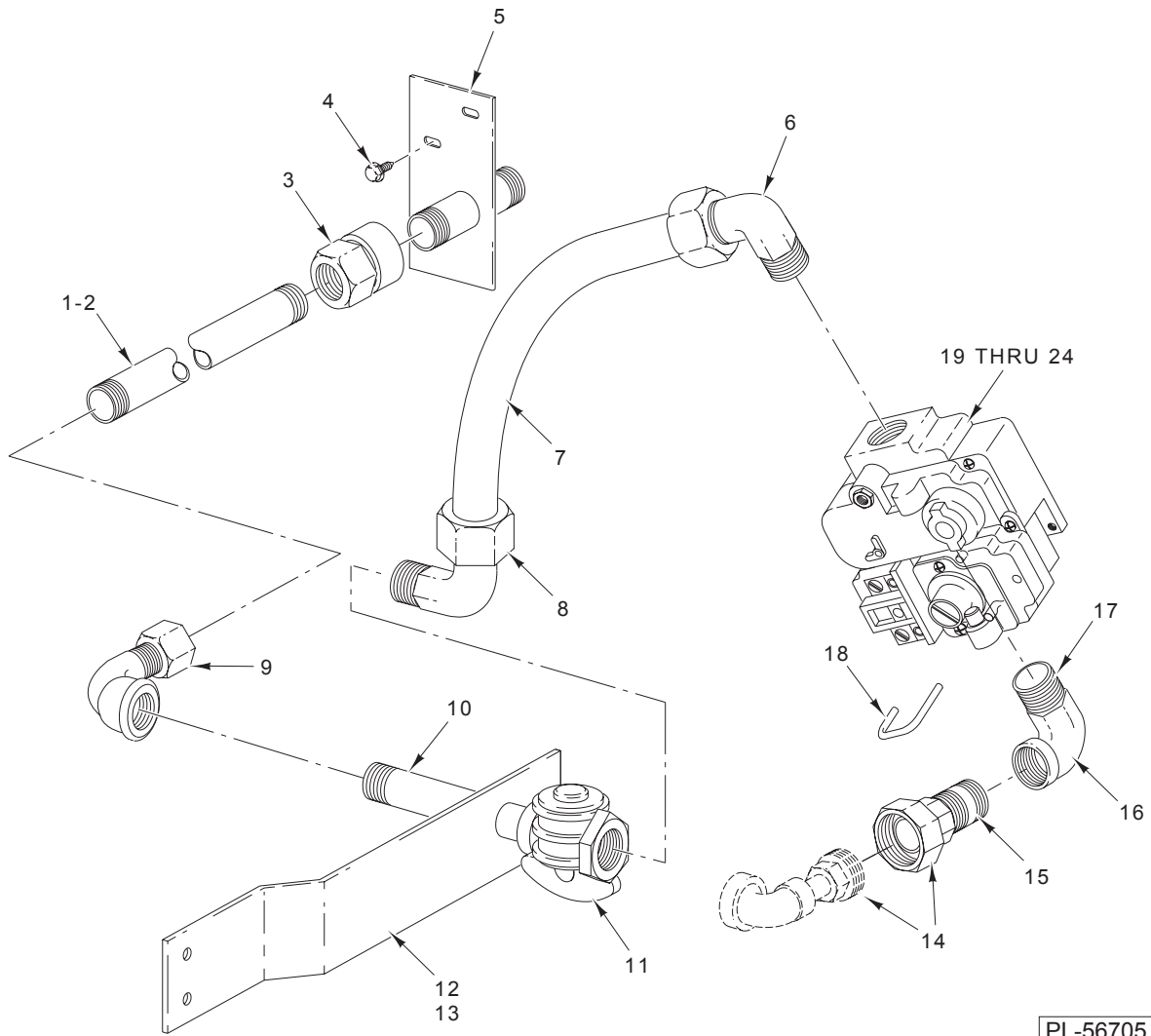
ILLUS.	PART NO.	NAME OF PART	AMT.
	PL-57850		
1	00-402558-00005	Clamp (HGSF Only)	2
2	00-417522-00001	Clip – Capillary	2
3	SD-035-02	Self-Tapping Screw 8-18 x 3/8 Hex Washer Hd., Type AB	4
4	00-409300-00005	Rod – Clean-Out	1
5	00-428035-00001	Bolt – Shoulder	AR
6	00-410681-00001	Burner	AR
7	00-417714-00001	Extension – Hanger	1
8	00-419548	Bracket – Hi-Limit	1
9	SD-037-70	Self-Tapping Screw 1/4-20 x 1/2 Hex Washer Hd., Type AB	4
10	NS-046-52	Nut – 1/4-20 Hex KEPS	4
11	SD-036-80	Self-Tapping Screw 8-32 x 3/8 Hex Washer Hd., Type TT	2
12	00-419670-00002	Thermostat – Hi-Limit (W/Stuff Box)	1
13	00-419587	Bracket – Pull Rod (Previous Construction)	1
14	SD-015-24	Self-Tapping Screw 1/4-20 x 1/2 Hex Washer Hd., Type TT	AR
15	NS-044-14	Nut – 1/4-20 Hex KEPS	AR
16	FP-085-53	Pipe Plug 1/8	1
17	00-010901-00039	Orifice – Spud (Nat. Gas) (Sea Level – 2000 Ft.)	AR
18	00-010901-00041	Orifice – Spud (Nat. Gas) (2001 – 3499 Ft.)	AR
19	00-010901-00042	Orifice – Spud (Nat. Gas) (3500 – 5499 Ft.)	AR
20	00-010901-00043	Orifice – Spud (Nat. Gas) (5500 – 7499 Ft.)	AR
21	00-010901-00044	Orifice – Spud (Nat. Gas) (7500 – 9499 Ft.)	AR
22	00-010901-00052	Orifice – Spud (L.P. Gas) (Sea Level – 3499 Ft.)	AR
23	00-010901-00053	Orifice – Spud (L.P. Gas) (3500 – 6499 Ft.)	AR
24	00-010901-00054	Orifice – Spud (L.P. Gas) (6500 – 8499 Ft.)	AR
25	00-410695-00001	Extension – Orifice	AR
26	NS-047-72	Lock Nut 1/4-20	2
27	00-418209-00001	Manifold – Burner (3 Tube)	1
28	00-418212-00001	Manifold – Burner (4 Tube)	1
29	00-418318-00001	Manifold – Burner (5 Tube)	1
30	FP-086-74	Elbow – Pipe 1/2 x 90 Deg.	1
31	FP-035-94	Pipe 1/2 x 1 1/2 Lg. TBE	1
32	FP-022-11	Union – Pipe	AR
33	00-418208-00001	Hanger – Manifold (3 Tube)	1
34	00-418211-00001	Hanger – Manifold (4 Tube)	1
35	00-418317-00001	Hanger – Manifold (5 Tube)	1
36	00-417896-00001	Plate – Control Valve (W/Pilot P)	1
37	00-417896-00002	Plate – Control Valve (W/O Pilot P)	1
38	00-413433-00003	Handle – Combo Valve	1
39	PC-003-24	Cotter Pin 1/16 x 1 1/2	1
40	00-418452-00001	Cover – Combo Valve Handle (Red)	1
41	00-418553	Bracket – Control	1
42	00-426505-00012	Tube – Flex 1/4 O.D. x 12	1
43	00-412212-00007	Pilot (Nat. Gas)	1
44	00-412212-00002	Pilot (L.P. Gas)	1
45	00-419316-00001	Pilot (Nat. Gas) (W/Electronic Ignition)	1
46	00-419316-00002	Pilot (L.P. Gas) (W/Electronic Ignition)	1
47	00-410839-00004	Thermopile (HGSF – No Other Options)	1
48	00-497301-00001	Thermopile (750 MV) (HG – Millivolt Control)	1
49	00-497302-00001	Thermocouple (For Manual Ignition HGC/HGD)	2
50	SC-018-32	Mach. Screw 8-32 x 3/8 Pan Hd.	2



**BURNER COMPONENTS
(HGF SERIES)**

**BURNER COMPONENTS
(HGF SERIES)**

ILLUS. PL-57849	PART NO.	NAME OF PART	AMT.
1	00-402558-00005	Clamp	2
2	00-417522-00001	Clip – Capillary	2
3	SD-035-02	Self-Tapping Screw 8-18 x 3/8 Hex Washer Hd., Type AB	4
4	00-409300-00005	Rod – Clean-Out	1
5	00-428035-00001	Bolt – Shoulder	AR
6	00-410681-00001	Burner	AR
7	00-417714-00001	Extension – Hanger	1
8	00-419548	Bracket – Hi-Limit	1
9	SD-037-70	Self-Tapping Screw 1/4-20 x 1/2 Hex Washer Hd., Type AB	4
10	NS-046-52	Nut – 1/4-20 Hex KEPS	4
11	SD-036-80	Self-Tapping Screw 8-32 x 3/8 Hex Washer Hd., Type TT	2
12	00-419670-00002	Thermostat – Hi-Limit (W/Stuff Box)	1
13	00-419587	Bracket – Pull Rod (Previous Construction)	1
14	SD-015-24	Self-Tapping Screw 1/4-20 x 1/2 Hex Washer Hd., Type TT	AR
15	NS-044-14	Nut – 1/4-20 Hex KEPS	AR
16	FP-085-53	Pipe Plug 1/8	1
17	00-010901-00039	Orifice – Spud (Nat. Gas) (Sea Level – 2000 Ft.)	AR
18	00-010901-00041	Orifice – Spud (Nat. Gas) (2001 – 3499 Ft.)	AR
19	00-010901-00042	Orifice – Spud (Nat. Gas) (3500 – 5499 Ft.)	AR
20	00-010901-00043	Orifice – Spud (Nat. Gas) (5500 – 7499 Ft.)	AR
21	00-010901-00044	Orifice – Spud (Nat. Gas) (7500 – 9499 Ft.)	AR
22	00-010901-00052	Orifice – Spud (LP Gas) (Sea Level – 3499 Ft.)	AR
23	00-010901-00053	Orifice – Spud (LP Gas) (3500 – 6499 Ft.)	AR
24	00-010901-00054	Orifice – Spud (LP Gas) (6500 – 8499 Ft.)	AR
25	00-410695-00001	Extension – Orifice	AR
26	SD-037-70	Self-Tapping Screw 1/4-20 x 1/2 Hex Washer Hd., Type TT	2
27	00-497089-00001	Bracket – Control	1
28	00-408659-00005	Knob – Thermostat	1
29	00-419999-00001	Thermostat	1
30	00-408659-00007	Knob – Thermostat (Celsius)	1
31	NS-046-52	Nut 1/4-20 Hex	6
32	NS-047-72	Lock Nut 1/4-20	2
33	00-418209-00001	Manifold – Burner (HG35F)	1
34	00-418212-00001	Manifold – Burner (HG45F)	1
35	00-418318-00001	Manifold – Burner (HG65/85F)	1
36	FP-086-74	Elbow – Pipe 1/2 x 90 Deg.	1
37	FP-035-94	Pipe 1/2 x 1 1/2 Lg. TBE	1
38	FP-022-11	Union – Pipe	AR
39	00-418208-00001	Hanger – Manifold (HG35F)	1
40	00-418211-00001	Hanger – Manifold (HG45F)	1
41	00-418317-00001	Hanger – Manifold (HG65/85F)	1
42	00-417896-00001	Plate – Control Valve	1
43	00-417896-00002	Plate – Control Valve (W/O Pilot P)	1
44	00-413433-00003	Handle – Combo Valve	1
45	PC-003-24	Cotter Pin 1/16 x 1 1/2	1
46	00-418452-00001	Cover – Combo Valve Handle (Red)	1
47	00-418553	Bracket – Control	1
48	00-426505-00012	Tube – Flex 1/4 O.D. x 12	1
49	00-412212-00007	Pilot (Nat. Gas)	1
50	00-412212-00002	Pilot (LP Gas)	1
51	00-497302-00001	Thermocouple	2
52	SC-018-32	Mach. Screw 8-32 x 3/8 Pan Hd.	2

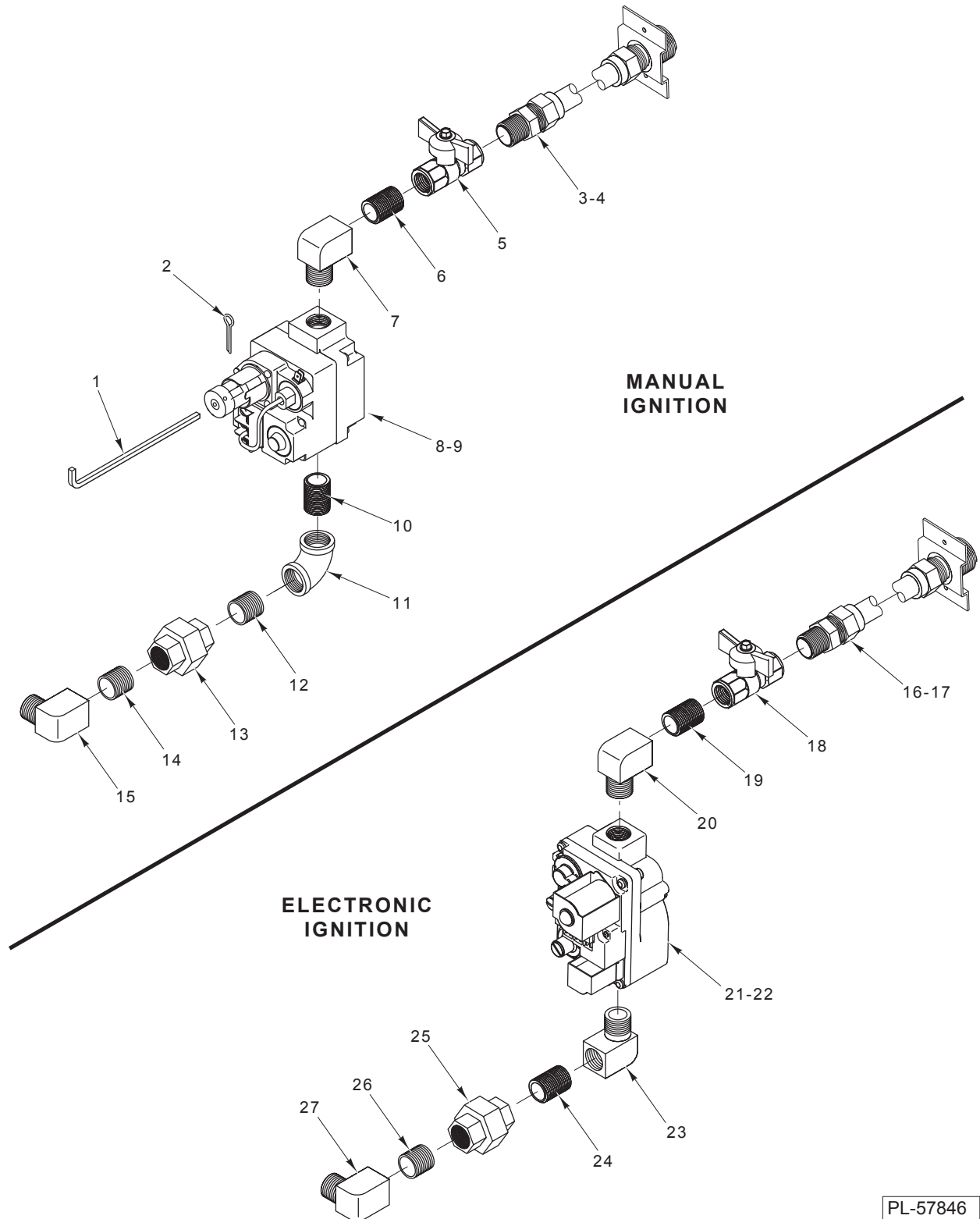


PL-56705

GAS INLET MANIFOLD (PREVIOUS CONSTRUCTION)

GAS INLET MANIFOLD (PREVIOUS CONSTRUCTION)

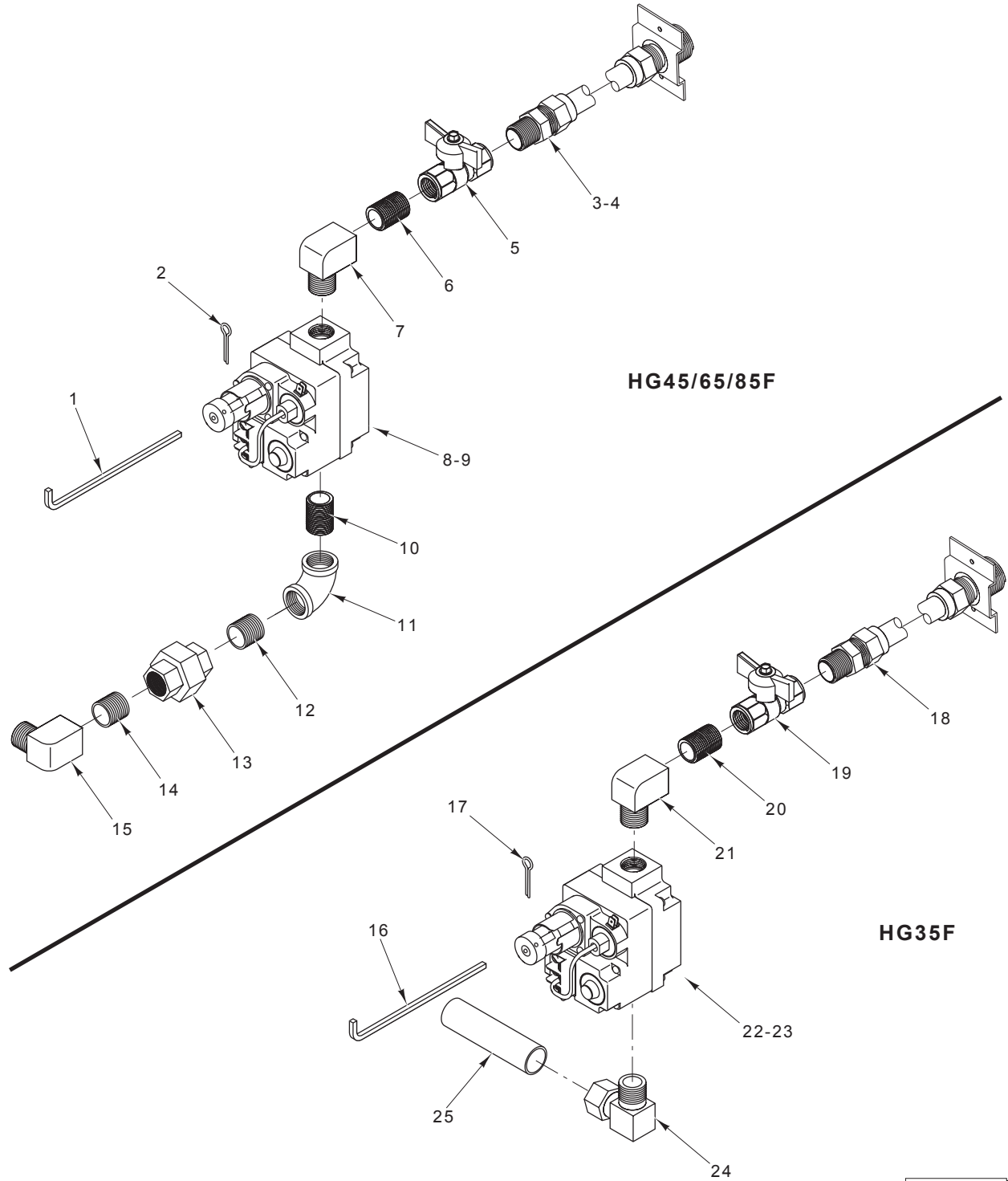
ILLUS.	PART NO.	NAME OF PART	AMT.
PL-56705			
1	00-418561-00001	Tube – Gas (HG35, HG45, & HG65 Series)	1
2	00-418561-00003	Tube – Gas (HG85 Series)	1
3	FP-012-39	Fitting – Tube 5/8 TBG x 1/2 FPT (Brass)	1
4	SD-032-07	Self-Tapping Screw 10-24 x 1/2 Hex Washer Hd., Type TT	1
5	00-418538-000G1	Bracket – Gas Inlet	1
6	FP-012-07	Elbow – Male (1/2 Pipe x 5/8 Tube)	2
7	00-418559	Tube – Gas Combo/Solenoid Valve	1
8	FP-012-07	Elbow – Male (1/2 Pipe x 5/8 Tube)	1
9	FP-086-20	Elbow – 90 Deg. Female 5/8 x 1/2 FPT	1
10	FP-087-08	Pipe 1/2 x 7 3/8 Lg. TBE	1
11	00-428472-00001	Valve – Gas Shutoff	1
12	00-418129	Bracket – Solenoid Assy. (3 Tube & 5 Tube)	1
13	00-418130	Bracket – Solenoid Assy. (4 Tube)	1
14	FP-022-11	Union – Pipe	1
15	FP-035-91	Pipe 1/2 x 1 1/8 Lg. TBE	1
16	FP-077-68	Elbow – Pipe 1/2 x 90 Deg.	1
17	FP-035-94	Pipe 1/2 x 1 1/2 Lg. TBE	1
18	00-412593-00001	Tube – Vent	1
19	00-410841-00022	Valve – Combination W/Millivolt Control (NAT)	1
20	00-410841-00023	Valve – Combination W/Millivolt Control (LP)	1
21	00-410841-00028	Valve – Combination W/Electronic Ignition (NAT)	1
22	00-410841-00029	Valve – Combination W/Electronic Ignition (LP)	1
23	00-410841-00030	Valve – Combination W/Manual Control/Fat Melt Cycle (NAT)	1
24	00-410841-00031	Valve – Combination W/Manual Control/Fat Melt Cycle (LP)	1



**GAS INLET MANIFOLD (HGCF & HGDF SERIES)
(CURRENT CONSTRUCTION)**

**GAS INLET MANIFOLD (HGCF & HGDF SERIES)
(CURRENT CONSTRUCTION)**

ILLUS.	PART NO.	NAME OF PART	AMT.
PL-57846			
1	00-413433-00003	Lever – Pilot Actuating	1
2	00-497305-00001	Pin – Cotter	1
3	00-427882-000G2	Gas Inlet (HGC35/45F & HGD35/45F)	1
4	00-427882-000G3	Gas Inlet (HGC65/85F & HGD65/85F)	1
5	00-428472-00001	Valve – Ball	1
6	FP-035-91	Pipe 1/2 x 1 1/8 TBE	1
7	FP-086-74	Elbow – Street 1/2 x 90 Deg. (Brass)	1
8	00-497386-000G4	Valve – Combination (LP) (Manual Ignition)	1
9	00-497386-000G3	Valve – Combination (NAT) (Manual Ignition)	1
10	FP-035-95	Pipe 1/2 x 2 TBE	1
11	FP-077-68	Elbow – Pipe 1/2 x 90 Deg.	1
12	FP-035-94	Pipe 1/2 x 1 1/2 TBE	1
13	FP-022-11	Union – Pipe	1
14	FP-035-91	Pipe 1/2 x 1 1/8 TBE	1
15	FP-086-74	Elbow – Street 1/2 x 90 Deg. (Brass)	1
16	00-427822-000G2	Gas Inlet (HGC35/45F & HGD35/45F)	1
17	00-427882-000G3	Gas Inlet (HGC65/85F & HGD65/85F)	1
18	00-428472-00001	Valve – Ball	1
19	FP-035-91	Pipe 1/2 x 1 1/8 TBE	1
20	FP-086-74	Elbow – Street 1/2 x 90 Deg. (Brass)	1
21	00-497271-00003	Valve – Combination (NAT) (Electrical Ignition)	1
22	00-497271-00004	Valve – Combination (LP) (Electrical Ignition)	1
23	FP-086-74	Elbow – Street 1/2 x 90 Deg. (Brass)	1
24	FP-035-91	Pipe 1/2 x 1 1/8 TBE	1
25	FP-022-11	Union – Pipe	1
26	FP-035-94	Pipe 1/2 x 1 1/2 TBE	1
27	FP-086-74	Elbow – Street 1/2 x 90 Deg. (Brass)	1

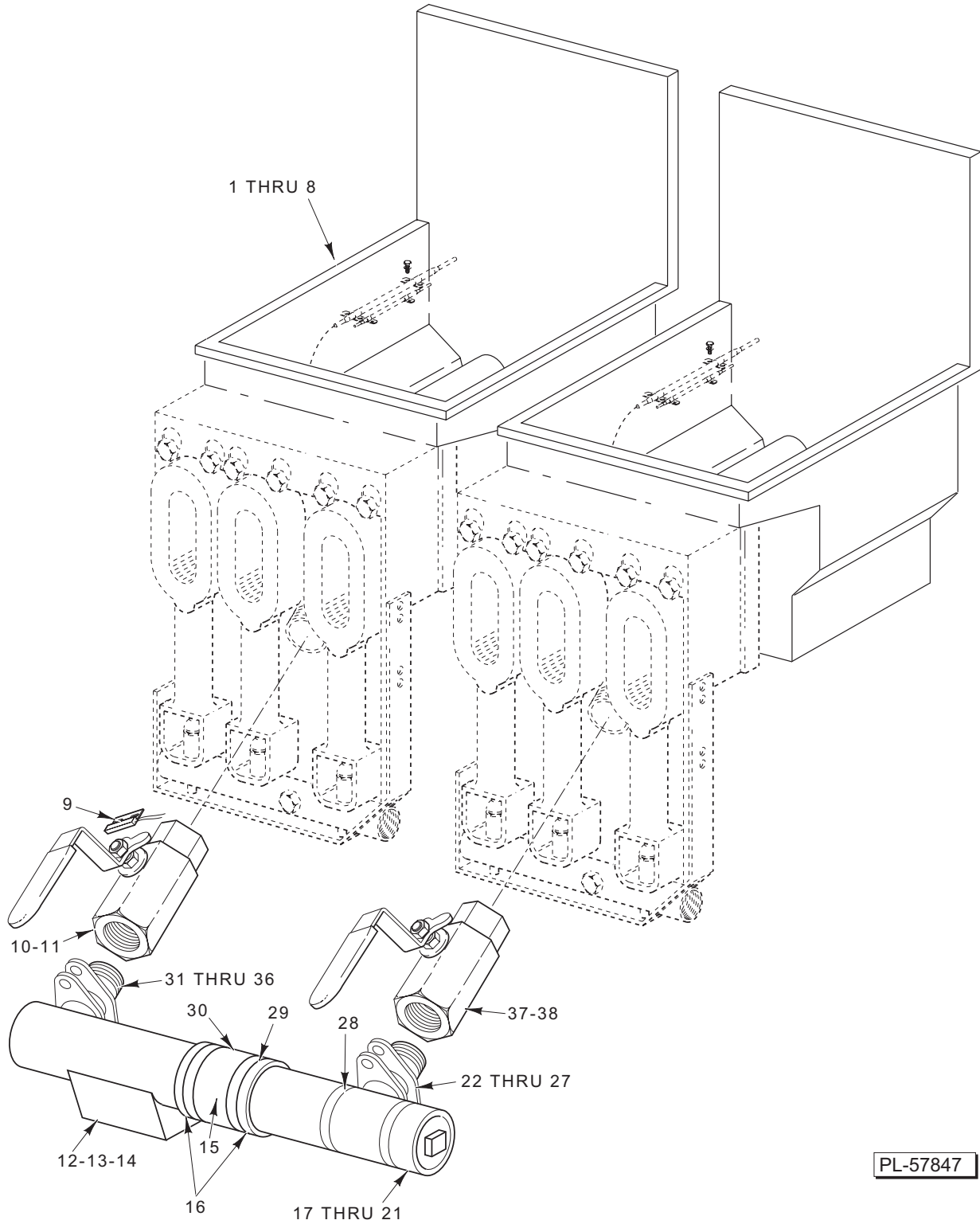


PL-57845

**GAS INLET MANIFOLD (HGF SERIES)
(CURRENT CONSTRUCTION)**

**GAS INLET MANIFOLD (HGF SERIES)
(CURRENT CONSTRUCTION)**

ILLUS. PL-57845	PART NO.	NAME OF PART	AMT.
1	00-413433-00007	Lever – Pilot Actuating	1
2	00-497305-00001	Pin – Cotter	1
3	00-427822-000G2	Gas Inlet (HG45F)	1
4	00-427882-000G3	Gas Inlet (HG65/85F)	1
5	00-428472-00001	Valve – Ball	1
6	FP-035-91	Pipe 1/2 x 1 1/8 TBE	1
7	FP-086-74	Elbow – Street 1/2 x 90 Deg. (Brass)	1
8	00-497386-000G1	Valve – Combination (NAT) (HG45/65/85F) (Manual Ignition)	1
9	00-497386-000G2	Valve – Combination (LP) (HG45/65/85F) (Manual Ignition)	1
10	FP-036-94	Pipe 1/2 x 2 1/2 TBE	1
11	FP-077-68	Elbow – Pipe 1/2 x 90 Deg.	1
12	FP-035-91	Pipe 1/2 x 1 1/8 TBE	1
13	FP-022-11	Union – Pipe	1
14	FP-035-91	Pipe 1/2 x 1 1/8 TBE	1
15	FP-086-74	Elbow – Street 1/2 x 90 Deg. (Brass)	1
16	00-413433-00007	Lever – Pilot Actuating	1
17	00-497305-00001	Pin – Cotter	1
18	00-427882-000G2	Gas Inlet (HG35F)	1
19	00-428472-00001	Valve – Ball	1
20	FP-035-91	Pipe 1/2 x 1 1/8 TBE	1
21	FP-086-74	Elbow – Street 1/2 x 90 Deg. (Brass)	1
22	00-497386-000G1	Valve – Combination (NAT) (HG35F) (Manual Ignition)	1
23	00-497386-000G2	Valve – Combination (LP) (HG35F) (Manual Ignition)	1
24	FP-012-07	Elbow – Swivel 5/8 Tube Fitting	1
25	00-418561-00005	Tube – Gas	1



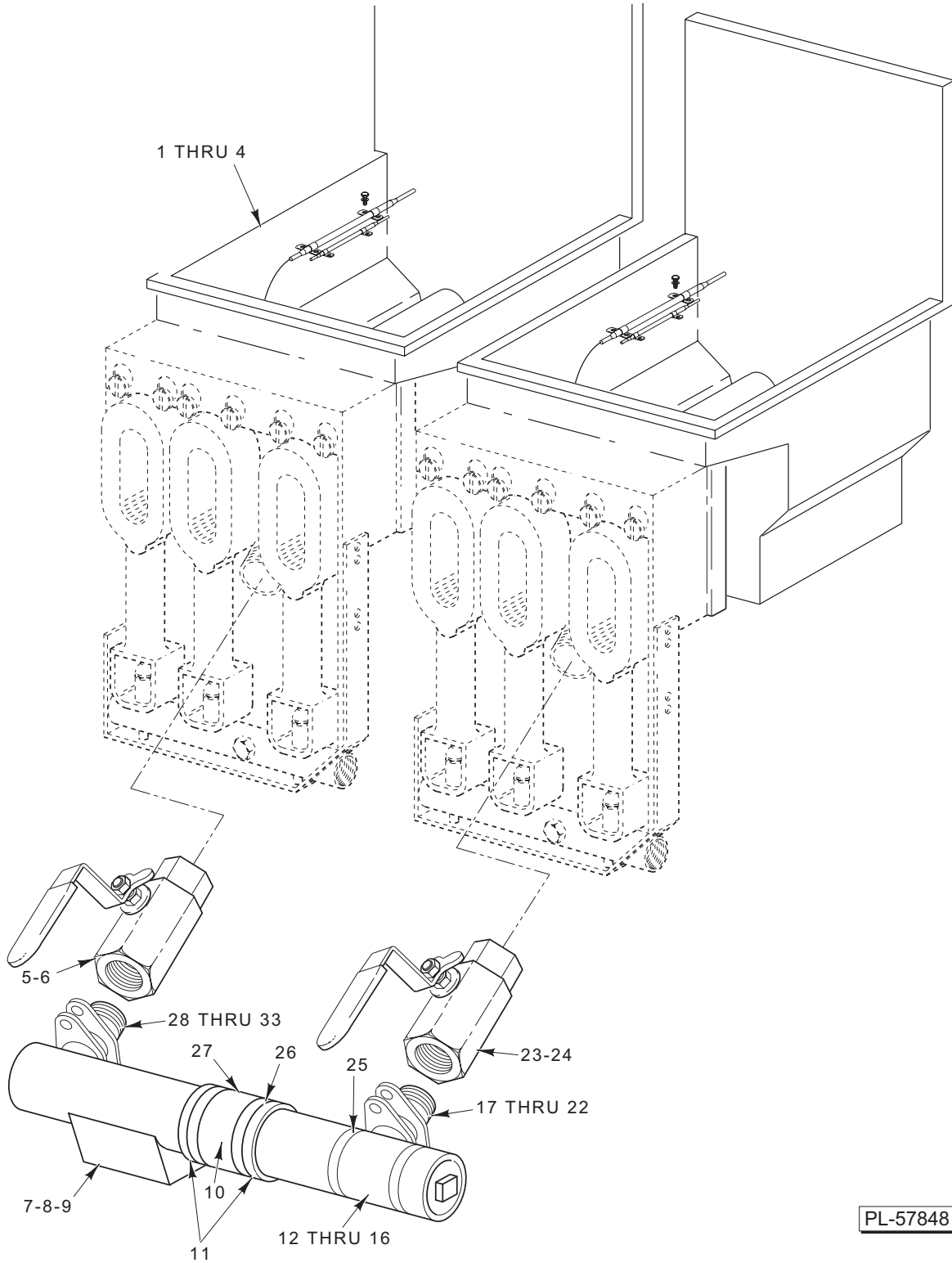
TANK AND DRAIN

TANK AND DRAIN

ILLUS. PL-57847	PART NO.	NAME OF PART	AMT.
*1	00-416942-000G5	Tank – Assy. Weldment (3 tube) (HGS35F, HGD35F, & HGC35F) (Previous Construction)	1
*2	00-418192-000G2	Tank – Stainless Steel (HGS45F, HGD45F, & HGC45F) (Previous Construction)	1
*3	00-418196-000G2	Tank – Stainless Steel (HGS65F, HGD65F, & HGC65F) (Previous Construction)	1
*4	00-419620-000G2	Tank – Stainless Steel (HGS85F, HGD85F, & HGC85F) (Previous Construction)	1
5	00-416942-00G10	Tank Assy. (3 Tube) (SST) (D/C35) (Current Construction)	1
6	00-418192-000G6	Tank Assy. (4 Tube) (SST) (D/C45) (Current Construction)	1
7	00-418196-000G6	Tank Assy. (5 Tube) (SST) (D/C65) (Current Construction)	1
8	00-419620-000G4	Tank Assy. (5 Tube) (SST) (D/C85) (Current Construction)	1
9	00-426805-000G1	Switch Assy. (Drain Valve Interlock) (Current Construction)	1
10	00-426803-000G1	Valve – Ball (1 In.) (HG35/45/65 Series)	1
11	00-426803-000G2	Valve – Ball (1 1/4 In.) (HG85 Series)	1
12	00-426612-000G1	Elbow – Filter Fill (LH) (4 Tube)	1
13	00-426612-000G2	Elbow – Filter Fill (LH) (5 Tube)	1
14	00-426612-000G3	Elbow – Filter Fill (LH) (3 Tube)	1
15	00-416266-00002	Sleeve Shield (Previous Construction)	2
16	00-416174-00002	Clamp – Hose (Previous Construction)	2
17	00-420732-000G1	Pipe – End Section (RH) (5 Tube)	1
18	00-420732-000G3	Pipe – End Section (LH) (5 Tube)	1
19	00-420732-000G4	Pipe – End Section (RH) (3 Tube)	1
20	00-420732-000G5	Pipe – End Section (RH) (4 Tube)	1
21	00-420732-000G6	Pipe – End Section (RH) (3 Tube) (With Dump)	1
22	00-420555-00001	Flange – Pipe (1 In.)	1
23	00-420726-00001	Flange – Pipe (1 1/4 In.)	1
24	00-420553-00002	Gasket – Silicone	1
25	FP-085-96	Pipe 1 x 1 TBE	1
26	FP-087-96	Pipe 1 1/4 x 1 3/8 TBE	1
27	SC-036-13	Cap Screw 1/4-20 x 3/4 Hex Hd.	2
28	00-416174-00002	Clamp – Hose	AR
29	00-497409-00001	Clamp – Drain Tube (Current Construction)	2
30	00-419351-00001	Hose – Connect	AR
31	00-420553-00002	Gasket – Silicone	1
32	00-420555-00001	Flange – Pipe (1 In.)	1
33	00-420726-00001	Flange – Pipe (1 1/4 In.)	1
34	FP-085-96	Pipe 1 x 1 TBE	1
35	FP-087-96	Pipe 1 1/4 x 1 3/8 TBE	1
36	SC-036-13	Cap Screw 1/4-20 x 3/4 Hex Hd.	2
37	00-426803-000G1	Valve – Ball (1 In.) (HG35/45/65 Series)	1
38	00-426803-000G2	Valve – Ball (1 1/4 In.) (HG85 Series)	1

*For replacement tanks on fryers built before June 2002, the following parts must be ordered with the above-listed appropriate tank:

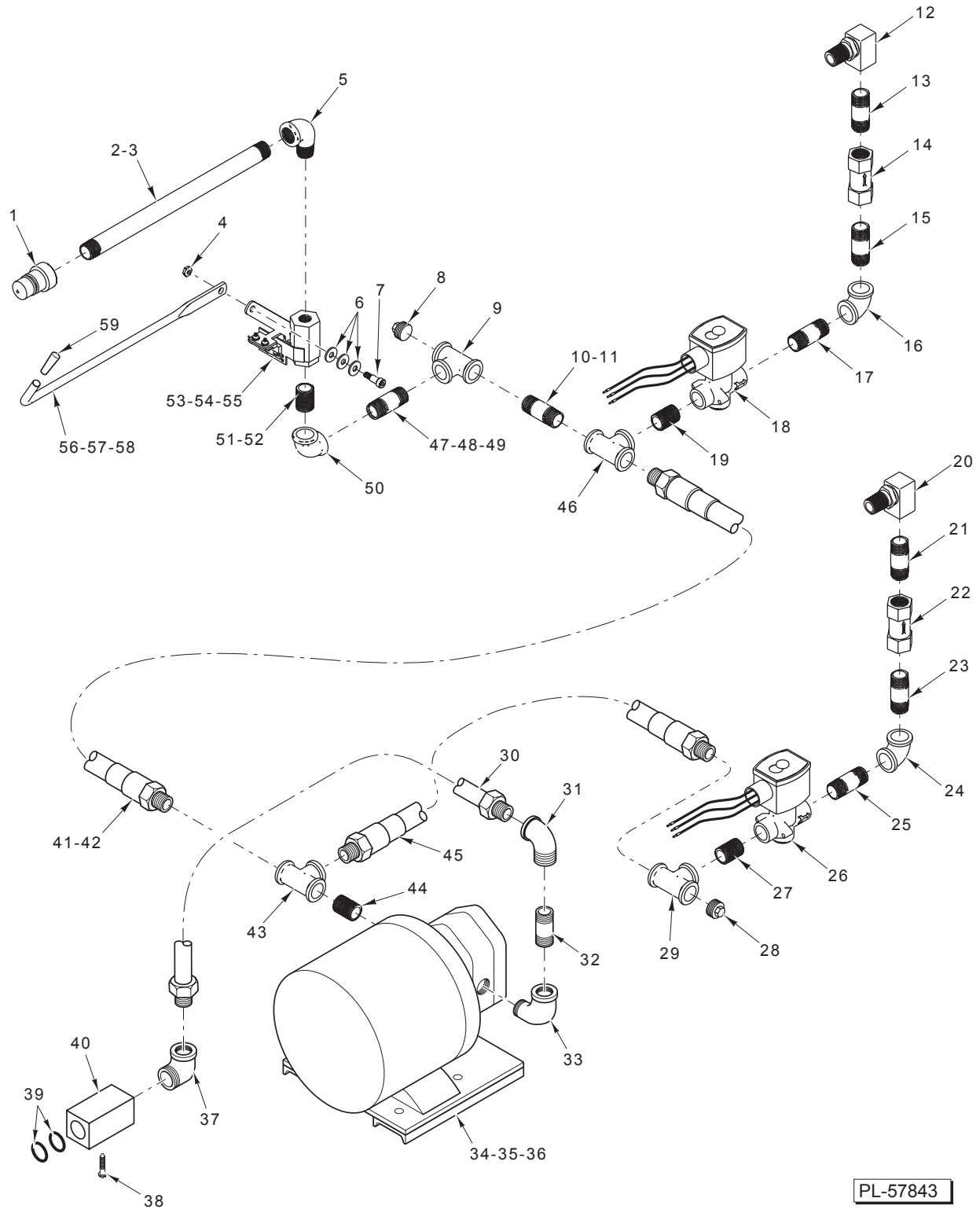
00-427952-00001	Bracket – Mounting	1
SD-032-07	Self-Tapping Screw 10-24 x 1/2 Hex Washer Hd., Type TT	1
00-426505-00012	Tube – Pilot	1
00-405569-00003	Fitting – Compression	1
FP-047-35	Fitting – Tube 1/4	1
FP-047-34	Fitting – Tube 1/4	1
FP-059-52	Pipe 1 1/4 x 3 TBE	1
Appropriate Pilot Assy.		



**TANK AND DRAIN
(HGF SERIES)**

**TANK AND DRAIN
(HGF SERIES)**

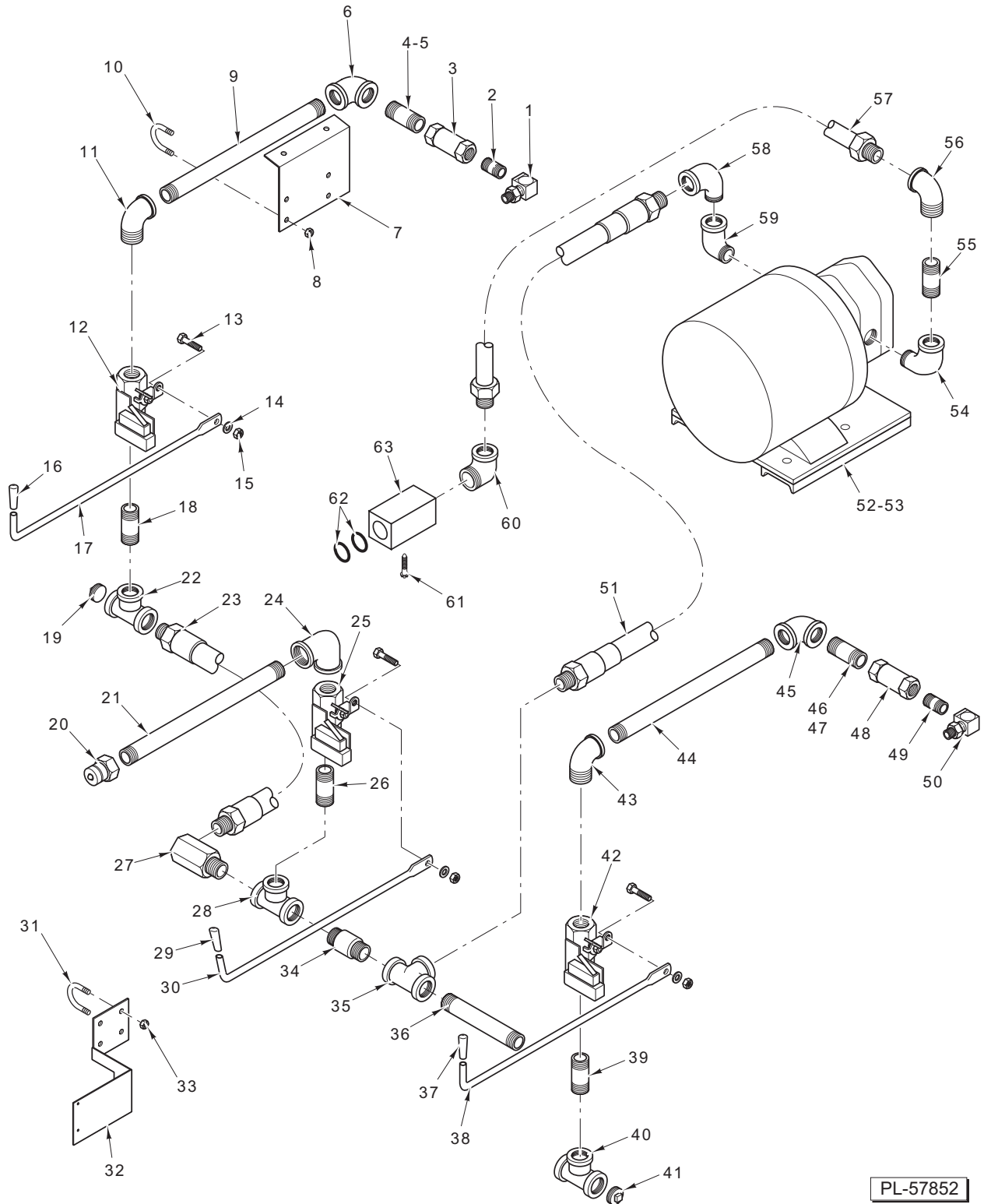
ILLUS. PL-57848	PART NO.	NAME OF PART	AMT.
1	00-416942-00G10	Tank Assy. (SST) (HG35F)	1
2	00-418192-000G6	Tank Assy. (SST) (HG45F)	1
3	00-418196-000G6	Tank Assy. (SST) (HG65F)	1
4	00-419620-000G4	Tank Assy. (SST) (HG85F)	1
5	00-427903-00001	Valve – Ball (1 In.) (HG35/45/65F)	1
6	00-414212-00006	Valve – Ball (1 1/4 In.) (HG85F)	1
7	00-426612-000G1	Elbow – Filter Fill (LH) (4 Tube)	1
8	00-426612-000G2	Elbow – Filter Fill (LH) (5 Tube)	1
9	00-426612-000G3	Elbow – Filter Fill (LH) (3 Tube)	1
10	00-416266-00002	Sleeve Shield	2
11	00-416174-00002	Clamp – Hose	2
12	00-420732-000G1	Pipe – End Section (RH) (5 Tube)	1
13	00-420732-000G3	Pipe – End Section (LH) (5 Tube)	1
14	00-420732-000G4	Pipe – End Section (RH) (3 Tube)	1
15	00-420732-000G5	Pipe – End Section (RH) (4 Tube)	1
16	00-420732-000G6	Pipe – End Section (RH) (3 Tube) (With Dump)	1
17	00-420555-00001	Flange – Pipe (1 In.)	1
18	00-420726-00001	Flange – Pipe (1 1/4 In.)	1
19	00-420553-00002	Gasket – Silicone	1
20	FP-085-96	Pipe 1 x 1 TBE	1
21	FP-087-96	Pipe 1 1/4 x 1 3/8 TBE	1
22	SC-036-13	Cap Screw 1/4-20 x 3/4 Hex Hd.	2
23	00-427903-00001	Valve – Ball (1 In.) (HG35/45/65F)	1
24	00-414212-00006	Valve – Ball (1 1/4 In.) (HG85F)	1
25	00-416174-00002	Clamp – Hose	AR
26	00-497409-00001	Clamp – Drain Tube	2
27	00-419351-00001	Hose – Connect	AR
28	00-420553-00002	Gasket – Silicone	1
29	00-420555-00001	Flange – Pipe (1 In.)	1
30	00-420726-00001	Flange – Pipe (1 1/4 In.)	1
31	FP-085-96	Pipe 1 x 1 TBE	1
32	FP-087-96	Pipe 1 1/4 x 1 3/8 TBE	1
33	SC-036-13	Cap Screw 1/4-20 x 3/4 Hex Hd.	2



**OIL RETURN (HGCF AND HGDF SERIES)
(CURRENT CONSTRUCTION)**

**OIL RETURN (HGCF AND HGDF SERIES)
(CURRENT CONSTRUCTION)**

ILLUS. PL-57843	PART NO.	NAME OF PART	AMT.
1	00-418781-00001	Quick Disconnect	1
2	FP-080-44	Pipe 1/2 x 12 TBE (HGC35/45/65F & HGD35/45/65F)	1
3	FP-080-92	Pipe 1/2 x 16 TBE (HGC85F & HGD85F)	1
4	NS-046-52	Nut Assy. 1/4-20 Hex KEPS	1
5	FP-013-17	Elbow – Street 1/2 x 90 Deg.	1
6	WS-005-06	Washer	3
7	SC-113-34	Shoulder Screw 1/4-20 x 1/2 Hex Soc. Hd.	1
8	FP-028-14	Pipe – Plug 1/2 Sq. Hd.	1
9	FP-019-25	Tee 1/2 x 1/2 x 1/2	1
10	FP-035-95	Pipe 1/2 x 2 TBE (HGC45F & HGD45F)	1
11	FP-059-85	Pipe 1/2 x 4 3/4 TBE (HGC35/65/85F & HGD35/65/85F)	1
12	00-419251-00001	Elbow – Swivel 1/2 NPTF	1
13	FP-035-95	Pipe 1/2 x 2 TBE	1
14	00-418786-00001	Check Valve	1
15	FP-035-95	Pipe 1/2 x 2 TBE	1
16	FP-077-68	Elbow – Pipe 1/2 x 90 Deg.	1
17	FP-035-95	Pipe 1/2 x 2 TBE	1
18	00-428691-00001	Valve – Solenoid	1
19	FP-035-91	Pipe 1/2 x 1 1/8 TBE	1
20	00-419251-00001	Elbow - Swivel 1/2 NPTF	1
21	FP-035-95	Pipe 1/2 x 2 TBE	1
22	00-418786-00001	Check Valve	1
23	FP-035-95	Pipe 1/2 x 2 TBE	1
24	FP-077-68	Elbow – Pipe 1/2 x 90 Deg.	1
25	FP-035-95	Pipe 1/2 x 2 TBE	1
26	00-428691-00001	Valve – Solenoid	1
27	FP-035-91	Pipe 1/2 x 1 1/8 TBE	1
28	FP-028-14	Pipe – Plug 1/2 Sq. Hd.	1
29	FP-019-25	Tee 1/2 x 1/2 x 1/2	1
30	00-426602-00002	Tube – Flex (29 In.)	1
31	FP-077-68	Elbow – Pipe 1/2 x 90 Deg.	1
32	FP-035-94	Pipe 1/2 x 1 1/2 TBE	1
33	FP-077-68	Elbow – Pipe 1/2 x 90 Deg.	1
34	00-417792-00001	Pump Motor Assy. (120 V., 60 Hz.)	1
35	00-417792-00003	Pump Motor Assy. (208 V., 50/60 Hz.)	1
36	00-417792-00004	Pump Motor Assy. (230 V., 50/60 Hz.)	1
37	FP-013-17	Elbow – Street 1/2 x 90 Deg.	1
38	SC-114-01	Mach. Screw 10-32 x 3/8 Hex Washer Hd.	1
39	00-426567-00002	O-Ring (Viton)	2
40	00-426567-00001	Receptacle – Oil Suction	1
41	00-426602-00003	Tube – Flex (8 In.)	1
42	00-426602-00004	Tube – Flex (19 In.)	1
43	FP-019-25	Tee 1/2 x 1/2 x 1/2	1
44	FP-035-91	Pipe 1/2 x 1 1/8 TBE	1
45	00-426602-00004	Tube – Flex (19 In.)	1
46	FP-019-25	Tee 1/2 x 1/2 x 1/2	1
47	FP-035-94	Pipe 1/2 x 1 1/2 TBE (HGC45/65F & HGD45/65F)	1
48	FP-035-91	Pipe 1/2 x 1 1/8 TBE (HGC35F & HGD35F)	1
49	FP-035-95	Pipe 1/2 x 2 TBE (HGC85F & HGD85F)	1
50	FP-077-68	Elbow – Pipe 1/2 x 90 Deg.	1
51	FP-035-95	Pipe 1/2 x 2 TBE (HGC45/65/85F & HGD45/65/85F)	1
52	FP-058-49	Pipe 1/2 x 3 1/2 TBE (HGC35F & HGD35F)	1
53	00-428694-000G1	Valve Assy.	1
54	00-426801-00002	Switch – Magnetic	1
55	00-426805-000G2	Switch – Magnetic (Wired)	1
56	00-428693-00001	Rod – Pull (HGC45/65F & HGD45/65F)	1
57	00-418583	Rod – Pull (HGC35F & HGD35F)	1
58	00-428693-00002	Rod – Pull (HGC85F & HGD85F)	1
59	00-416435-00002	Grip (White)	1



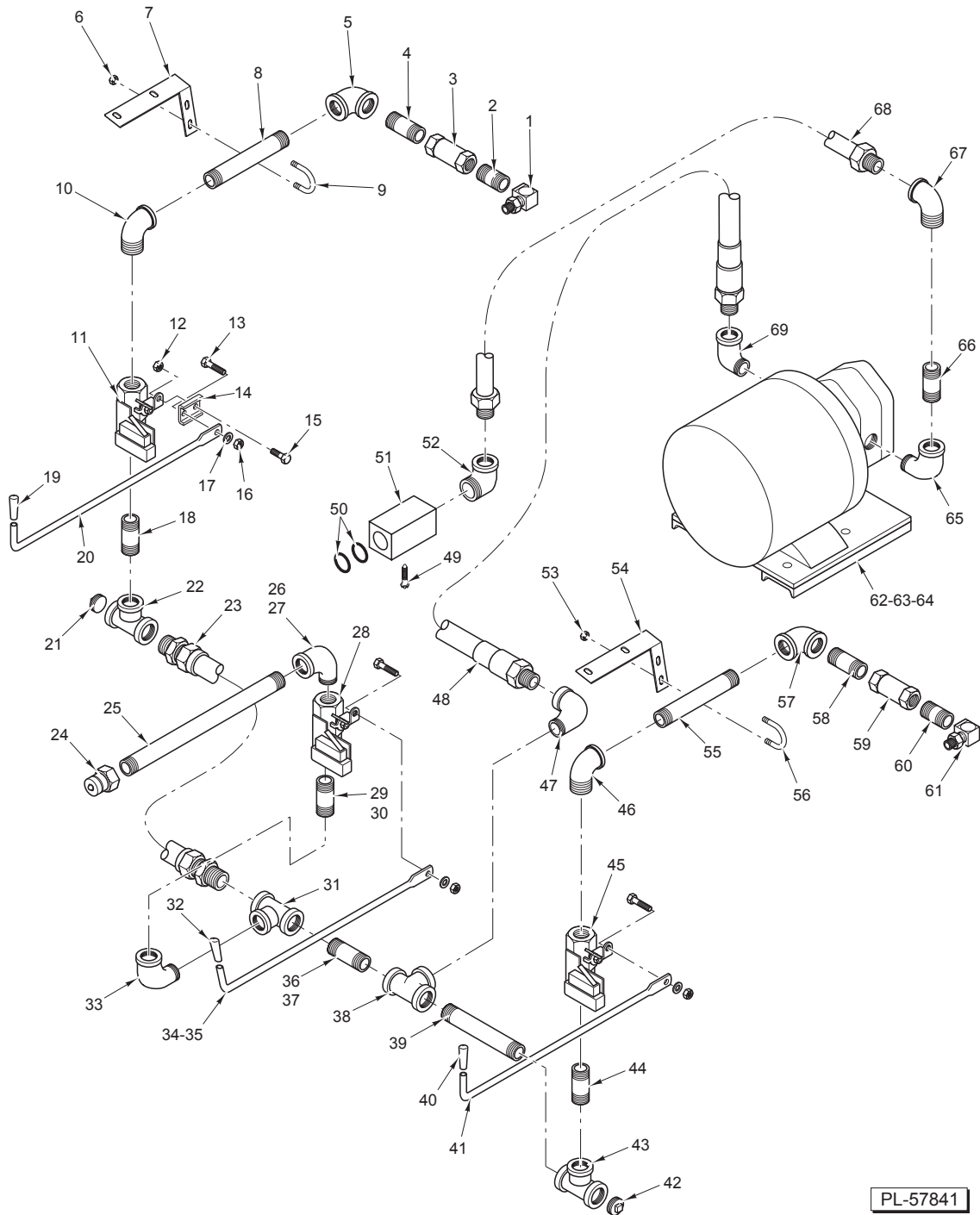
PL-57852

OIL RETURN (PREVIOUS CONSTRUCTION)

OIL RETURN (PREVIOUS CONSTRUCTION)

ILLUS.	PART NO.	NAME OF PART	AMT.
	PL-57852		
1	00-419251-00001	Fitting – 90 Deg. Swivel	1
2	FP-086-28	Pipe 1/2 x 7/8 TBE	1
3	00-418786-00001	Valve – Check	1
4	FP-035-94	Pipe 1/2 x 1 1/2 TBE (HG65/85 Series)	1
5	FP-035-96	Pipe 1/2 x 2 1/2 TBE (HG35/45 Series)	1
6	FP-077-68	Elbow 1/2 x 90 Deg.	1
7	00-421868-00001	Bracket – Oil Return	1
8	NS-046-52	Nut Assy. 1/4-20 Hex	4
9	00-426636-00001	Pipe 1/2 x 11 1/2	1
10	00-521820	U-Bolt	2
11	FP-013-17	Elbow – Street 1/2 x 90 Deg.	1
12	00-419291-000G1	Valve Assy.	1
13	SC-113-34	Shoulder Screw 1/4-20 x 1/2 Hex Soc. Hd.	3
14	WS-005-06	Washer	9
15	NS-046-52	Nut Assy. 1/4-20 Hex KEPS	3
16	00-416435-00001	Grip (Red)	1
17	00-418583-00003	Rod – Refill	1
18	FP-035-94	Pipe 1/2 x 1 1/2 TBE	1
19	FP-028-14	Pipe – Plug 1/2 Sq. Hd.	1
20	00-418781-00001	Quick Disconnect	1
21	FP-083-37	Pipe 1/2 x 9	1
22	FP-019-25	Tee 1/2 x 1/2 x 1/2	1
23	00-418783-00009	Hose	1
24	FP-077-68	Elbow 1/2 x 90 Deg.	1
25	00-419291-000G1	Valve Assy.	1
26	FP-035-94	Pipe 1/2 x 1 1/2 TBE	1
27	00-418968-00001	Fitting – 90 Deg. Swivel	1
28	FP-019-25	Tee 1/2 x 1/2 x 1/2	1
29	00-416435-00002	Grip (White)	1
30	00-418583-00004	Rod – Discard	1
31	00-521820	U-Bolt	2
32	00-427435-00001	Bracket – Pull Rod	1
33	NS-046-52	Nut Assy. 1/4-20 Hex	4
34	FP-035-95	Pipe 1/2 x 2 TBE	1
35	FP-019-25	Tee 1/2 x 1/2 x 1/2	1
36	FP-035-95	Pipe 1/2 x 2 TBE	1
37	00-416435-00001	Grip (Red)	1
38	00-418583-00003	Rod – Refill	1
39	FP-035-94	Pipe 1/2 x 1 1/2 TBE	1
40	FP-019-25	Tee 1/2 x 1/2 x 1/2	1
41	FP-028-14	Pipe – Plug 1/2 Sq. Hd.	1
42	00-419291-000G1	Valve Assy.	1
43	FP-013-17	Elbow – Street 1/2 x 90 Deg.	1
44	00-426636-00001	Pipe 1/2 x 11 1/2	1
45	FP-077-68	Elbow 1/2 x 90 Deg.	1
46	FP-035-94	Pipe 1/2 x 1 1/2 TBE (HG65/85 Series)	1
47	FP-035-96	Pipe 1/2 x 2 1/2 TBE (HG35/45 Series)	1
48	00-418786-00001	Valve – Check	1
49	FP-086-28	Pipe 1/2 x 7/8 TBE	1
50	00-419251-00001	Fitting – 90 Deg. Swivel	1
51	00-418783-00005	Hose	1
52	00-417792-00001	Pump Motor Assy. (120 V., 60 Hz.)	1
53	00-417792-00004	Pump Motor Assy. (230 V., 50/60 Hz.)	1
54	FP-077-68	Elbow 1/2 x 90 Deg.	1
55	FP-035-94	Pipe 1/2 x 1 1/2 TBE	1
56	FP-077-68	Elbow 1/2 x 90 Deg.	1
57	00-426602-00002	Flex Hose	1
58	FP-013-17	Elbow – Street 1/2 x 90 Deg.	1
59	FP-013-17	Elbow – Street 1/2 x 90 Deg.	1
60	FP-013-17	Elbow – Street 1/2 x 90 Deg.	1
61	SC-114-01	Mach. Screw 10-32 x 3/8 Hex Washer Hd.	1
62	00-426567-00002	O-Ring (Viton)	2
63	00-426567-00001	Receptacle – Oil Suction	1
	00-411496-000F7	Micro Switch (Included With Items 12, 25, & 42)	1

HG SERIES FRYER WITH FILTER SYSTEM REPLACEMENT PARTS



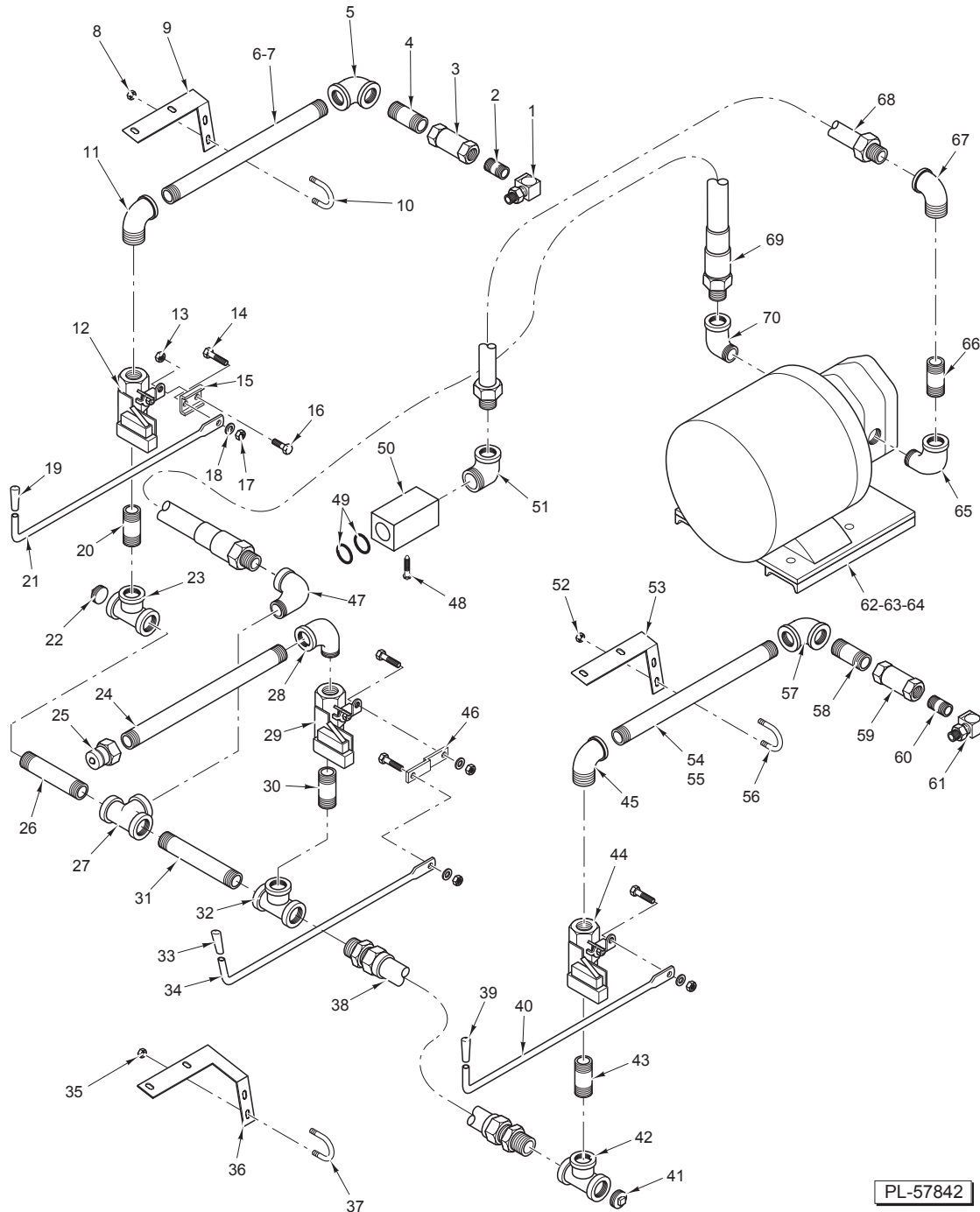
OIL RETURN (HG35F AND HG45F) (CURRENT CONSTRUCTION)

ILLUS.	PART NO.	NAME OF PART	AMT.
PL-57841			
1	00-419251-00001	Fitting – 90 Deg. Swivel	1
2	FP-035-91	Pipe 1/2 x 1 1/8 TBE	1
3	00-418786-00001	Valve – Check	1
4	FP-035-94	Pipe 1/2 x 1 1/2 TBE	1
5	FP-077-68	Elbow 1/2 x 90 Deg.	1
6	NS-046-52	Nut Assy. 1/4-20 Hex	2
7	00-428955-00001	Bracket – Oil Return	1
8	FP-058-49	Pipe 1/2 x 3 1/2 TBE	1

OIL RETURN (HG35F AND HG45F) (CURRENT CONSTRUCTION)

ILLUS. PL-57841	PART NO.	NAME OF PART	AMT.
9	00-521820	U-Bolt	1
10	FP-013-17	Elbow – Street 1/2 x 90 Deg.	1
11	00-419291-000G1	Valve Assy.	1
12	NS-044-14	Nut Assy. 1/4-20 Hex KEPS	1
13	SC-113-34	Shoulder Screw 1/4-20 x 1/2 Hex Soc. Hd.	3
14	00-428956-00001	Extension – Pull Rod	1
15	SC-110-12	Cap Screw 1/4-20 x 5/8 Hex Hd.	1
16	NS-044-14	Nut Assy. 1/4-20 Hex KEPS	3
17	WS-005-06	Washer	9
18	FP-035-94	Pipe 1/2 x 1 1/2 TBE	1
19	00-416435-00001	Grip (Red)	1
20	00-428693-00003	Rod – Refill	1
21	FP-028-14	Pipe – Plug 1/2 Sq. Hd.	1
22	FP-019-25	Tee 1/2 x 1/2 x 1/2	1
23	00-426602-00003	Tube – Flex (8 In.)	1
24	00-418781-00001	Quick Disconnect	1
25	FP-080-43	Pipe 1/2 x 15	1
26	FP-086-74	Elbow – Street 1/2 x 90 Deg. (Brass) (HG35F)	1
27	FP-013-17	Elbow – Street 1/2 x 90 Deg. (HG45F)	1
28	00-419291-000G1	Valve Assy.	1
29	FP-035-96	Pipe 1/2 x 2 1/2 TBE (HG35F)	1
30	FP-035-94	Pipe 1/2 x 1 1/2 TBE (HG45F)	1
31	FP-019-25	Tee 1/2 x 1/2 x 1/2	1
32	00-416435-00002	Grip (White)	1
33	FP-013-17	Elbow – Street 1/2 x 90 Deg.	1
34	00-428693-00002	Rod – Discard (HG35F)	1
35	00-428693-00001	Rod – Discard (HG45F)	1
36	FP-035-95	Pipe 1/2 x 2 TBE (HG35F)	1
37	FP-035-94	Pipe 1/2 x 1 1/2 TBE (HG45F)	1
38	FP-019-25	Tee 1/2 x 1/2 x 1/2	1
39	FP-035-95	Pipe 1/2 x 2 TBE	1
40	00-416435-00001	Grip (Red)	1
41	00-428693-00003	Rod – Refill	1
42	FP-028-14	Pipe – Plug 1/2 Sq. Hd.	1
43	FP-019-25	Tee 1/2 x 1/2 x 1/2	1
44	FP-035-94	Pipe 1/2 x 1 1/2 TBE	1
45	00-419291-000G1	Valve Assy.	1
46	FP-013-17	Elbow – Street 1/2 x 90 Deg.	1
47	FP-013-17	Elbow – Street 1/2 x 90 Deg.	1
48	00-426602-00003	Tube Flex (8 In.)	1
49	SC-114-01	Mach. Screw 10-32 x 3/8 Hex Washer Hd.	1
50	00-426567-00002	O-Ring (Viton)	2
51	00-426567-00001	Receptacle – Oil Suction	1
52	FP-013-17	Elbow – Street 1/2 x 90 Deg.	1
53	NS-046-52	Nut Assy. 1/4-20 Hex	2
54	00-428955-00001	Bracket – Oil Return	1
55	FP-058-49	Pipe 1/2 x 3 1/2	1
56	00-521820	U-Bolt	1
57	FP-077-68	Elbow 1/2 x 90 Deg.	1
58	FP-035-94	Pipe 1/2 x 1 1/2 TBE	1
59	00-418786-00001	Valve – Check	1
60	FP-035-91	Pipe 1/2 x 1 1/8 TBE	1
61	00-419251-00001	Fitting – 90 Deg. Swivel	1
62	00-417792-00001	Pump Motor Assy. (120 V., 60 Hz.)	1
63	00-417792-00003	Pump Motor Assy. (208 V., 50/60 Hz.)	1
64	00-417792-00004	Pump Motor Assy. (230 V., 50/60 Hz.)	1
65	FP-077-68	Elbow 1/2 x 90 Deg.	1
66	FP-035-94	Pipe 1/2 x 1 1/2 TBE	1
67	FP-077-68	Elbow 1/2 x 90 Deg.	1
68	00-426602-00002	Tube – Flex (29 In.)	1
69	FP-013-17	Elbow – Street 1/2 x 90 Deg.	1
	00-411496-000F7	Micro Switch (Included With Items 11, 28, & 45)	1

HG SERIES FRYER WITH FILTER SYSTEM REPLACEMENT PARTS

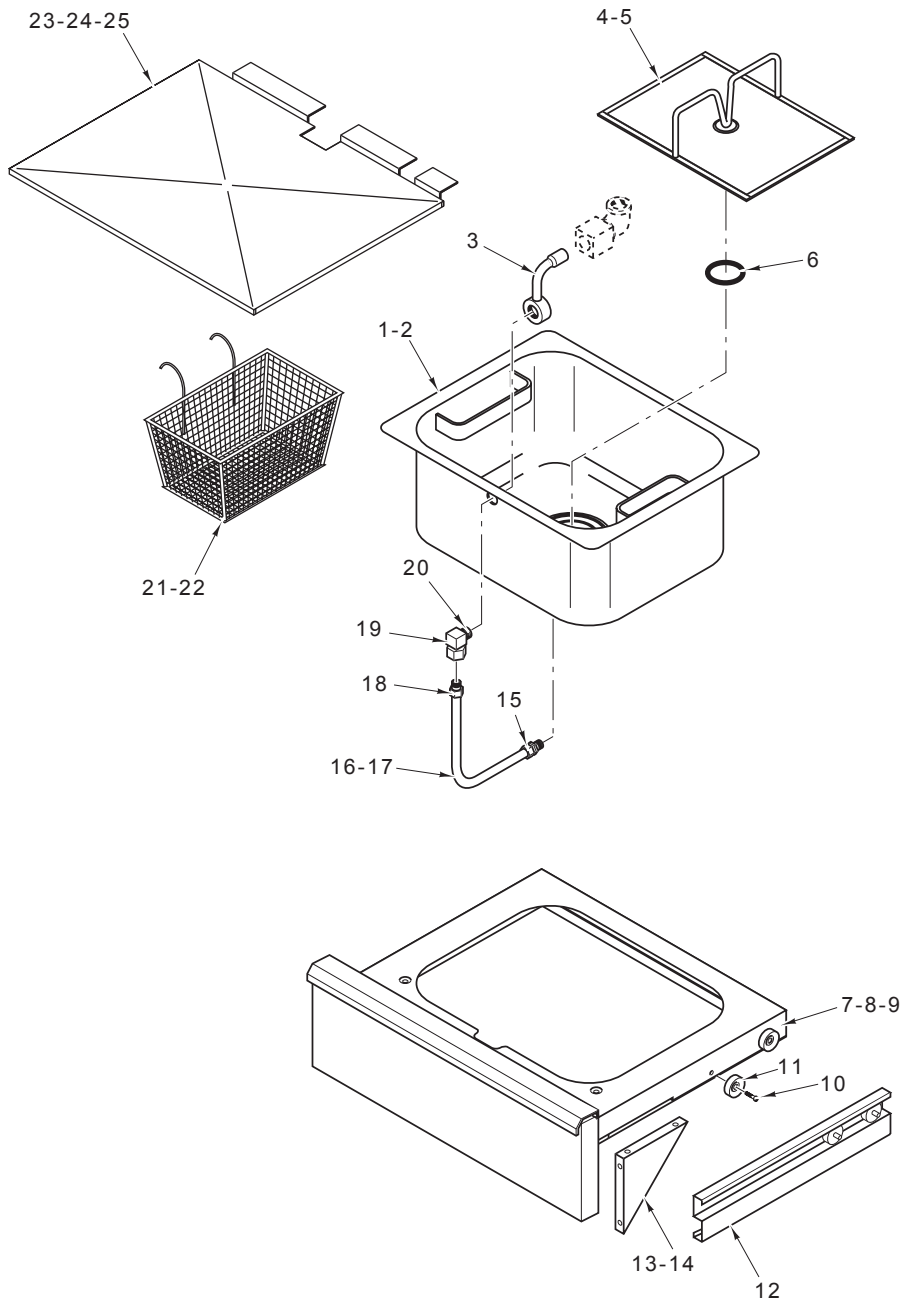


OIL RETURN (HG65F AND HG85F) (CURRENT CONSTRUCTION)

ILLUS.	PART NO.	NAME OF PART	AMT.
PL-57842			
1	00-419251-00001	Fitting – 90 Deg. Swivel	1
2	FP-086-28	Pipe 1/2 x 7/8 TBE	1
3	00-418786-00001	Valve – Check	1
4	FP-086-29	Pipe 1/2 x 4 1/2 TBE	1
5	FP-077-68	Elbow 1/2 x 90 Deg.	1
6	FP-059-86	Pipe 1/2 x 7 3/8 TBE (HG65F)	1
7	FP-058-49	Pipe 1/2 x 3 1/2 TBE (HG85F)	1
8	NS-046-52	Nut Assy. 1/4-20 Hex	2
9	00-428955-00001	Bracket – Oil Return	1
10	00-521820	U-Bolt	1

OIL RETURN (HG65F AND HG85F) (CURRENT CONSTRUCTION)

ILLUS. PL-57842	PART NO.	NAME OF PART	AMT.
11	FP-013-17	Elbow – Street 1/2 x 90 Deg.	1
12	00-419291-000G1	Valve Assy.	1
13	NS-044-14	Nut Assy. 1/4-20 Hex KEPS	1
14	SC-113-34	Shoulder Screw 1/4-20 x 1/2 Hex Soc. Hd.	4
15	00-428956-00001	Extension – Pull Rod	1
16	SC-110-12	Cap Screw 1/4-20 x 5/8 Hex Hd.	1
17	NS-044-14	Nut Assy. 1/4-20 Hex KEPS	4
18	WS-005-06	Washer	12
19	00-416435-00001	Grip (Red)	1
20	FP-035-94	Pipe 1/2 x 1 1/2 TBE	1
21	00-428693-00003	Rod – Refill	1
22	FP-028-14	Pipe – Plug 1/2 Sq. Hd.	1
23	FP-019-25	Tee 1/2 x 1/2 x 1/2	1
24	FP-080-92	Pipe 1/2 x 16	1
25	00-418781-00001	Quick Disconnect	1
26	FP-086-29	Pipe 1/2 x 4 1/2 TBE	1
27	FP-019-25	Tee 1/2 x 1/2 x 1/2	1
28	FP-013-17	Elbow 1/2 x 90 Deg.	1
29	00-419291-000G1	Valve Assy.	1
30	FP-035-94	Pipe 1/2 x 1 1/2 TBE	1
31	FP-058-51	Pipe 1/2 x 5 TBE	1
32	FP-019-25	Tee 1/2 x 1/2 x 1/2	1
33	00-416435-00002	Grip (White)	1
34	00-428693-00003	Rod – Pull	1
35	NS-046-52	Nut Assy. 1/4-20 Hex	2
36	00-497087-00001	Bracket – Quick Disconnect	1
37	00-521820	U-Bolt	1
38	00-426602-00003	Tube – Flex (8 In.)	1
39	00-416435-00001	Grip (Red)	1
40	00-428693-00003	Rod – Pull	1
41	FP-028-14	Pipe – Plug 1/2 Sq. Hd.	1
42	FP-019-25	Tee 1/2 x 1/2 x 1/2	1
43	FP-035-94	Pipe 1/2 x 1 1/2 TBE	1
44	00-419291-000G1	Valve Assy.	1
45	FP-013-17	Elbow – Street 1/2 x 90 Deg.	1
46	00-426682-00001	Extension – Pull Rod	1
47	FP-013-17	Elbow – Street 1/2 x 90 Deg.	1
48	SC-114-01	Mach. Screw 10-32 x 3/8 Hex Washer Hd.	1
49	00-426567-00002	O-Ring (Viton)	2
50	00-426567-00001	Receptacle – Oil Suction	1
51	FP-013-17	Elbow – Street 1/2 x 90 Deg.	1
52	NS-046-52	Nut Assy. 1/4-20 Hex	2
53	00-428955-00001	Bracket – Oil Return	1
54	FP-059-86	Pipe 1/2 x 7 5/8 TBE (HG65F)	1
55	FP-058-49	Pipe 1/2 x 3 1/2 TBE (HG85F)	1
56	00-521820	U-Bolt	1
57	FP-077-68	Elbow 1/2 x 90 Deg.	1
58	FP-086-29	Pipe 1/2 x 4 1/2 TBE	1
59	00-418786-00001	Valve – Check	1
60	FP-035-91	Pipe 1/2 x 1 1/8 TBE	1
61	00-419251-00001	Fitting – 90 Deg. Swivel	1
62	00-417792-00001	Pump Motor Assy. (120 V., 60 Hz.)	1
63	00-417792-00003	Pump Motor Assy. (208 V., 50/60 Hz.)	1
64	00-417792-00004	Pump Motor Assy. (230 V., 50/60 Hz.)	1
65	FP-077-68	Elbow 1/2 x 90 Deg.	1
66	FP-035-94	Pipe 1/2 x 1 1/2 TBE	1
67	FP-077-68	Elbow 1/2 x 90 Deg.	1
68	00-426602-00002	Tube – Flex (29 In.)	1
69	00-426602-00003	Tube – Flex (8 In.)	1
70	FP-083-73	Elbow – Street 1/2 x 90 Deg. (Brass)	1
	00-411496-000F7	Micro Switch (Included With Items 12, 29, & 44)	1



PL-57840

FILTER ASSEMBLY

FILTER ASSEMBLY

ILLUS. PL-57840	PART NO.	NAME OF PART	AMT.
1	00-426570-000G1	Vessel Assy. (HG35/45/65 Series).....	1
2	00-428581-000G1	Vessel Assy. (HG85 Series).....	1
3	00-427672-000G1	Pipe – Oil Return Assy.....	1
4	00-426711-000G1	Element – Filter Assy. (HG35/45/65 Series).....	1
5	00-426711-000G2	Element – Filter Assy. (HG85 Series).....	1
6	00-426630-00002	Seal – O-Ring.....	1
7	00-428180-000G1	Drawer Assy. (HG35/45 Series) (Incls. Items 10 thru 14).....	1
8	00-428180-000G2	Drawer Assy. (HG65 Series) (Incls. Items 10 thru 14).....	1
9	00-428580-000G1	Drawer Assy. (HG85 Series) (Incls. Items 10 thru 14).....	1
10	00-426600-00003	Screw 1/4-20.....	2
11	00-426600-00002	Bearing – Roller.....	2
12	00-426600-000G1	Roller Guide Assy.....	1
13	00-426595-00001	Gussett – Drawer Door.....	2
14	SD-032-07	Self-Tapping Screw 10-24 x 1/2 Hex Washer Hd., Type TT.....	AR
15	00-426601-00002	Fitting 3/8 Compression.....	1
16	00-426566-00001	Tube – Oil Return (HG35/45/65 Series).....	1
17	00-426566-00003	Tube – Oil Return (HG85 Series).....	1
18	00-426601-00001	Fitting 3/8 Compression.....	1
19	00-426568-00001	Elbow 3/8 NPT.....	1
20	FP-035-91	Pipe 1/2 x 1 1/8 TBE.....	1
21	00-426606-00001	Basket – Scrap (HG35/45/65 Series).....	1
22	00-426606-00002	Basket – Scrap (HG85 Series).....	1
23	00-428677-00001	Splash Guard (HG35/45 Series).....	1
24	00-428678-00001	Splash Guard (HG65 Series).....	1
25	00-428911-00001	Splash Guard (HG85 Series).....	1

