



CATALOG OF REPLACEMENT PARTS

HFD/HFC SERIES FRYERS

DRAWER FILTER SYSTEM

HFD50F	ML-135570
HFD85F	ML-135574
HFC50F	ML-135571
HFC85F	ML-135575

WITHOUT DRAWER FILTER SYSTEM

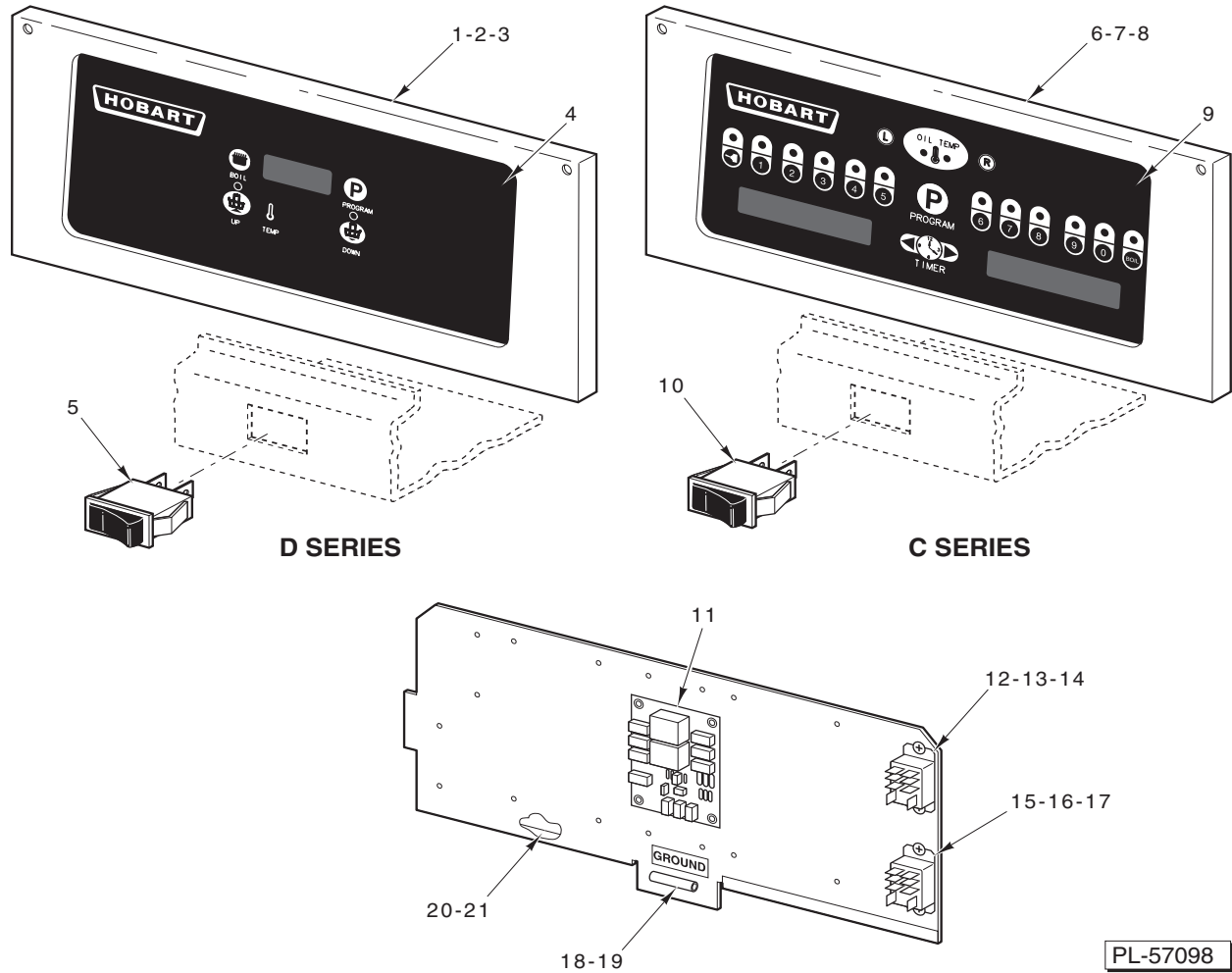
HFD50	ML-135551
HFD85	ML-135553
HFC50	ML-135555
HFC85	ML-135557

FRYMATE

HF015	ML-135558
HF021	ML-135559

Table of Contents

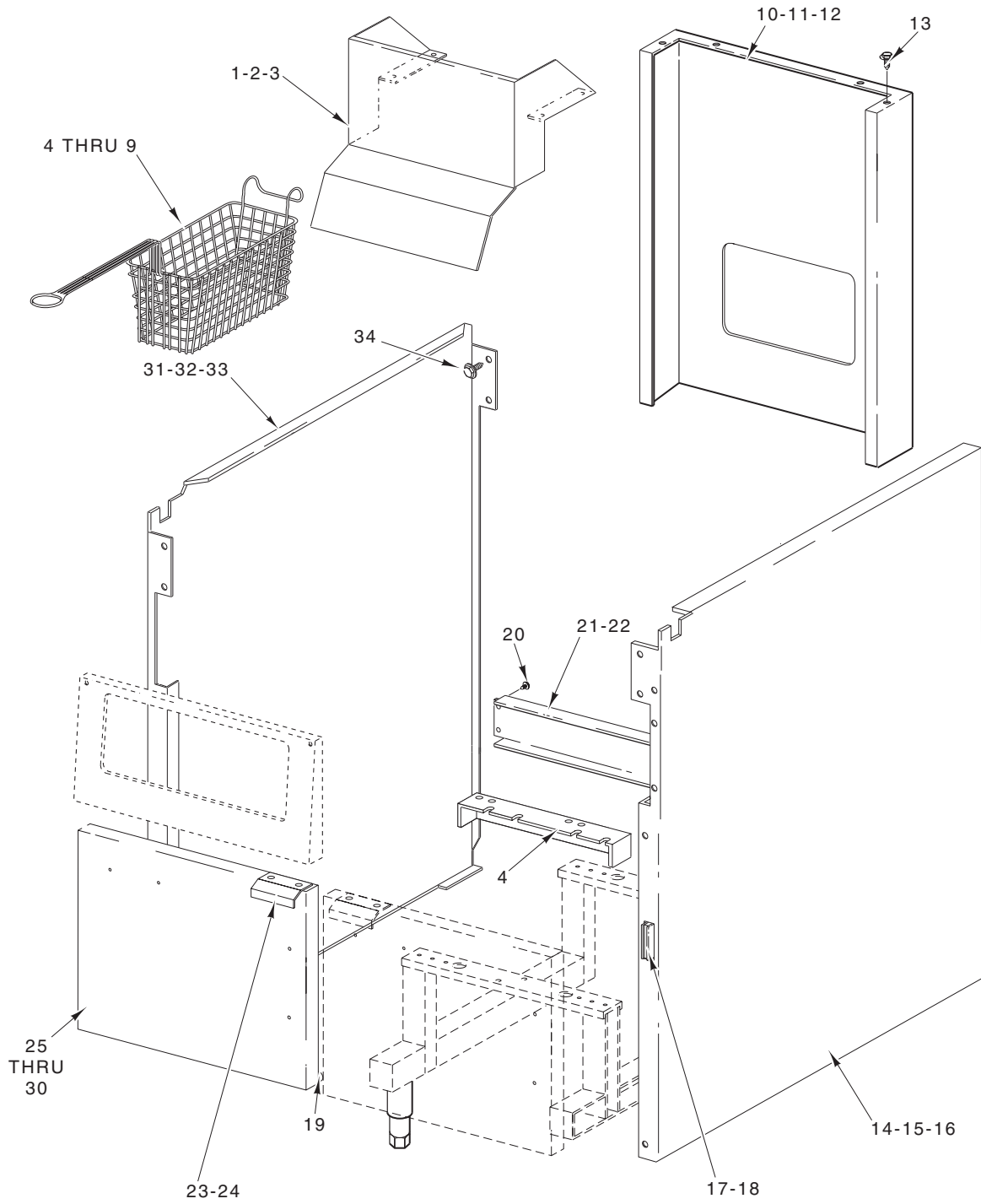
5	Control Panel (Tridelta)
7	Body Unit
9	Filter Assembly
11	Tank Assembly
13	Heating Element Assembly
15	Basketlift Components
17	Power Supply Box
19	Oil Return
21	Dump Station Assembly
22	Accessories



CONTROL PANEL (TRIDELTA)

CONTROL PANEL (TRIDELTA)

ILLUS. PL-57098	PART NO.	NAME OF PART	AMT.
1	00-913012-00002	Control Assy. – Solid State (Incls. Item 4) (HFD50/50F & HFD85/85F)	1
2	00-426815-000G1	Plate Assy. – Mounting (HFD50/50F)	1
3	00-426815-000G2	Plate Assy. – Mounting (HFD85/85F)	1
4	00-427820-00002	Overlay – Control Panel (HFD50/50F & HFD85/85F)	1
5	00-427755-000G1	Rocker Switch Assy.	1
6	00-913012-00001	Computer Cooking Assy. (Incls. Item 9) (HFC50/50F & HFC85/85F)	1
7	00-426815-000G1	Plate Assy. – Mounting (HFC50/50F)	1
8	00-426815-000G2	Plate Assy. – Mounting (HFC85/85F)	1
9	00-426732-00002	Overlay – Control Panel (HFC50/50F & HFC85/85F)	1
10	00-427755-000G1	Rocker Switch Assy.	1
11	00-427759-00001	Board – Control Interface	1
12	00-416535-00004	Relay (24 V. Coil)	1
13	SD-032-07	Self-Tapping Screw 10-24 x 1/2 Hex Washer Hd., Type TT	2
14	SC-112-90	Mach. Screw 4-40 x 1 Slotted Pan Hd.	2
15	00-416535-00007	Relay (240 V. Coil)	1
16	SD-032-07	Self-Tapping Screw 10-24 x 1/2 Hex Washer Hd., Type TT	2
17	SC-112-90	Mach. Screw 4-40 x 1 Slotted Pan Hd.	2
18	00-419317	Terminal – Ground	1
19	SD-033-86	Self-Tapping Screw 6-32 x 3/4 Phil. Pan Hd., Type TT	1
20	00-427740-00001	Plate – Control (HFD50/50F & HFC50/50F)	1
21	00-427740-00002	Plate – Control (HFD85/85F & HFC85/85F)	1

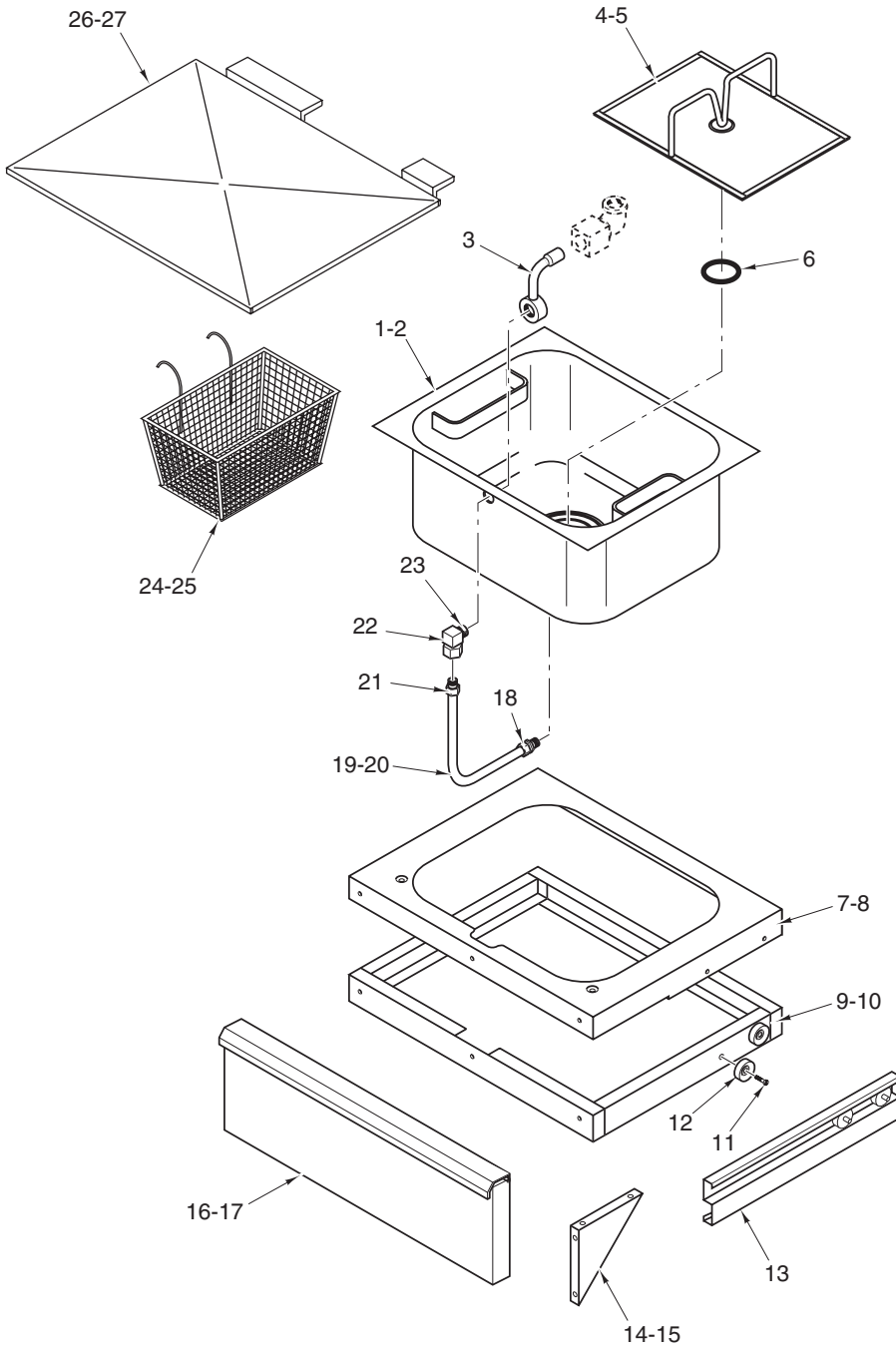


PL-57097

BODY UNIT

BODY UNIT

ILLUS. PL-57097	PART NO.	NAME OF PART	AMT.
1	00-421831-00001	Hanger – Twin Basket (HFD85/85F & HFC85/85F)	1
2	00-421912-000G1	Hanger – Single Basket (HFD85/85F & HFC85/85F)	1
3	00-421911-000G1	Hanger – Single Basket (HFD50/50F & HFC50/50F)	1
4	00-410737-00009	Basket – Twin (Black Handle) (HFD50/50F & HFC50/50F)	AR
5	00-422868-00002	Basket – Twin (HFD85/85F & HFC85/85F)	AR
6	00-422870-00002	Basket – Triple (HFD85/85F & HFC85/85F)	AR
7	00-422914-00002	Basket – Triple (Black Handle) (HFD50/50F & HFC50/50F)	AR
8	00-422869-00001	Basket – Single (HFD85/85F & HFC85/85F)	AR
9	00-411378-00002	Basket – Single (HFD50/50F & HFC50/50F)	AR
10	00-422020-000G2	Flue Wrap (SST) (HFD50/50F & HFC50/50F)	1
11	00-422020-000G4	Flue Wrap (SST) (HFD85/85F & HFC85/85F)	1
12	00-422021-00002	Flue Wrap (SST) (HFD50/50F & HFC50/50F)	1
13	SD-036-96	Self-Tapping Screw 8-18 x 3/4 Hex Hd., Type AB	2
14	00-420596-00004	Body – Side (SST) (RH)	1
15	00-419777-00004	Body – Side (SST) (RH) (HFD50/85 & HFC50/85)	1
16	00-426763-00004	Body – Side (SST) (RH) (HFD50F/85F & HFC50F/85F)	1
17	00-426573-00001	Magnet – Door	1
18	SD-036-80	Self-Tapping Screw 8-32 x 3/8 Hex Washer Hd., Type TT	2
19	00-420769-00001	Bumper – Rubber	1
20	SD-032-07	Self-Tapping Screw 10-24 x 1/2 Hex Washer Hd., Type TT	10
21	00-417014-00001	Bracket – Rear Support (HFD50/50F & HFC50/50F)	1
22	00-418320-00001	Bracket – Rear Support (HFD85/85F & HFC85/85F)	1
23	00-419653	Handle	1
24	RS-033-02	Pop Rivet (0.187)	4
25	00-426582-000G1	Door Assy. (SST) (LH) (15 1/2 In.) (HFD50F & HFC50F)	1
26	00-426582-000G2	Door Assy. (SST) (RH) (15 1/2 In.) (HFD50F & HFC50F)	1
27	00-426582-000G5	Door Assy. (SS) (LH) (21 In.) (HFD85F & HFC85F)	1
28	00-426582-000G6	Door Assy. (SS) (RH) (21 In.) (HFD85F & HFC85F)	1
29	00-426562-000G2	Door Assy. (SST) (HFD50 & HFC50)	1
30	00-426562-000G6	Door Assy. (SST) (HFD85 & HFC85)	1
31	00-420596-00003	Body – Side (SST) (LH)	1
32	00-419777-00003	Body – Side (SST) (LH) (HFD50/85 & HFC50/85)	1
33	00-426763-00003	Body – Side (SST) (LH) (HFD50F/85F & HFC50F/85F)	1
34	SD-036-03	Self-Tapping Screw 8-18 x 3/8 Hex Washer Hd., Type AB	8

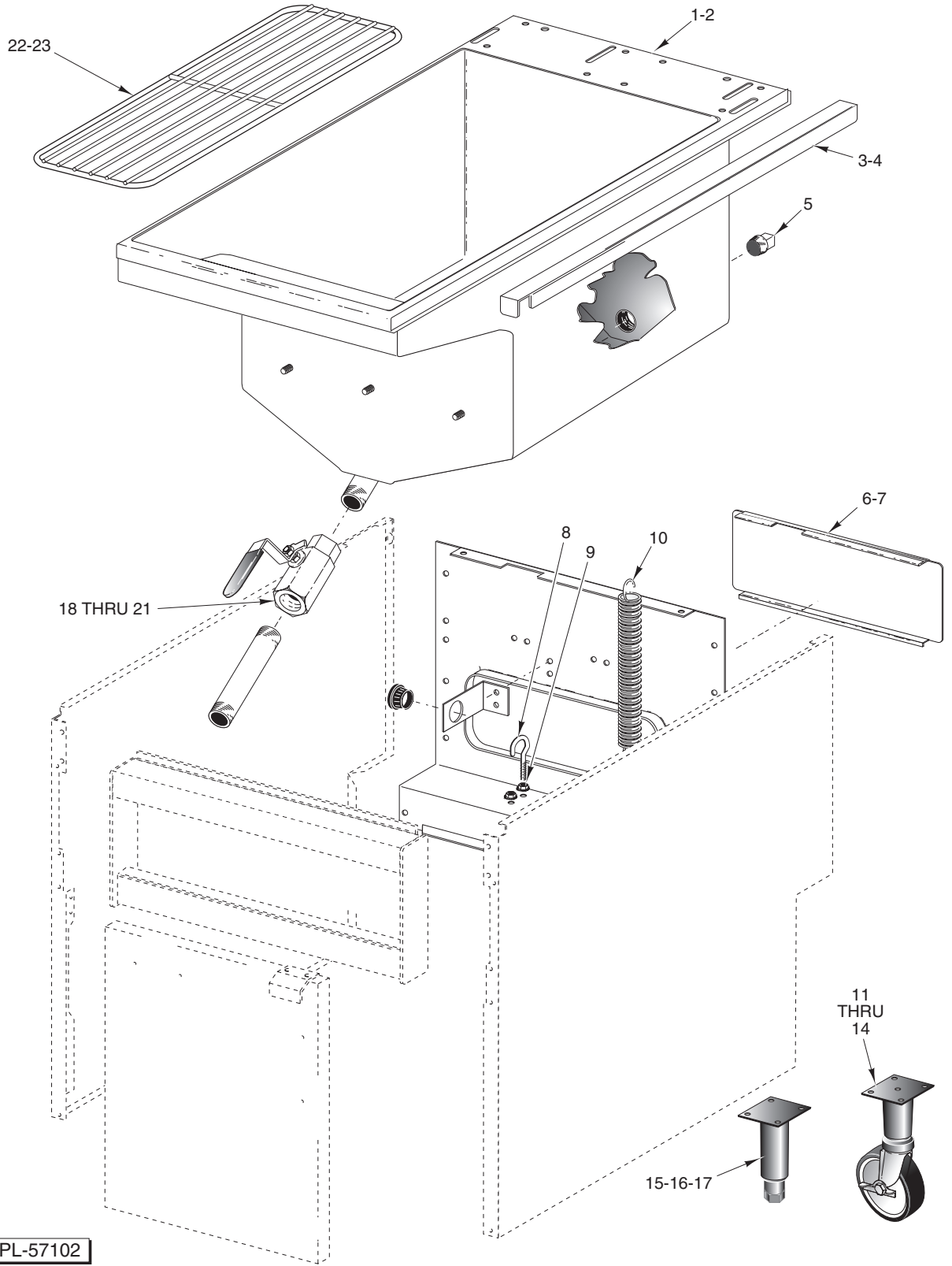


PL-57101

FILTER ASSEMBLY

FILTER ASSEMBLY

ILLUS. PL-57101	PART NO.	NAME OF PART	AMT.
1	00-426570-000G1	Vessel (16 x 20 In.) (Incls. Items 3, 18, 19, 21, 22, & 23) (HFD50F & HFC50F)	1
2	00-428581-000G1	Vessel (16 x 28 In.) (Incls. Items 3, 18, & 20 thru 23) (HFD85F & HFC85F)	1
3	00-427672-000G1	Pipe – Oil Return Assy.	1
4	00-426711-000G1	Element – Filter Assy. (HFD50F & HFC50F)	1
5	00-426711-000G2	Element – Filter Assy. (HFD85F & HFC85F)	1
6	00-426630-00002	Seal – O-Ring	1
7	00-426515-00001	Counter Top – Filter (HFD50F & HFC50F)	1
8	00-426516-00002	Counter Top – Filter (HFD85F & HFC85F)	1
9	00-428077-000G1	Frame – Oil Tray (HFD50/50F & HFC50/50F)	1
10	00-428077-000G3	Frame – Oil Tray (HFD85/85F & HFC85/85F)	1
11	00-426600-00003	Screw 1/4-20	2
12	00-426600-00002	Bearing – Roller	2
13	00-426600-000G1	Roller Guide Assy.	1
14	00-426595-00001	Gusset	2
15	SD-032-07	Self-Tapping Screw 10-24 x 1/2 Hex Washer Hd., Type TT	AR
16	00-426587-000G2	Door – Drawer Assy. (Incls. Handle) (HFD85F & HFC85F)	1
17	00-426587-000G1	Door – Drawer Assy. (Incls. Handle) (HFD50F & HFC50F)	1
18	00-426601-00002	Fitting 3/8 Compression	1
19	00-426566-00001	Tube – Oil Return (HFD50F & HFC50F)	1
20	00-426566-00003	Tube – Oil Return (HFD85F & HFC85F)	1
21	00-426601-00001	Fitting 3/8 Compression	1
22	00-426568-00001	Elbow 3/8 NPT	1
23	FP-035-91	Pipe 1/2 x 1 1/8 TBE	1
24	00-426606-00001	Basket – Scrap (HFD50F & HFC50F)	1
25	00-426606-00002	Basket – Scrap (HFD85F & HFC85F)	1
26	00-428518-00001	Splash Guard (HFD50/50F & HFC50/50F)	1
27	00-428519-00001	Splash Guard (HFD85/85F & HFC85/85F)	1

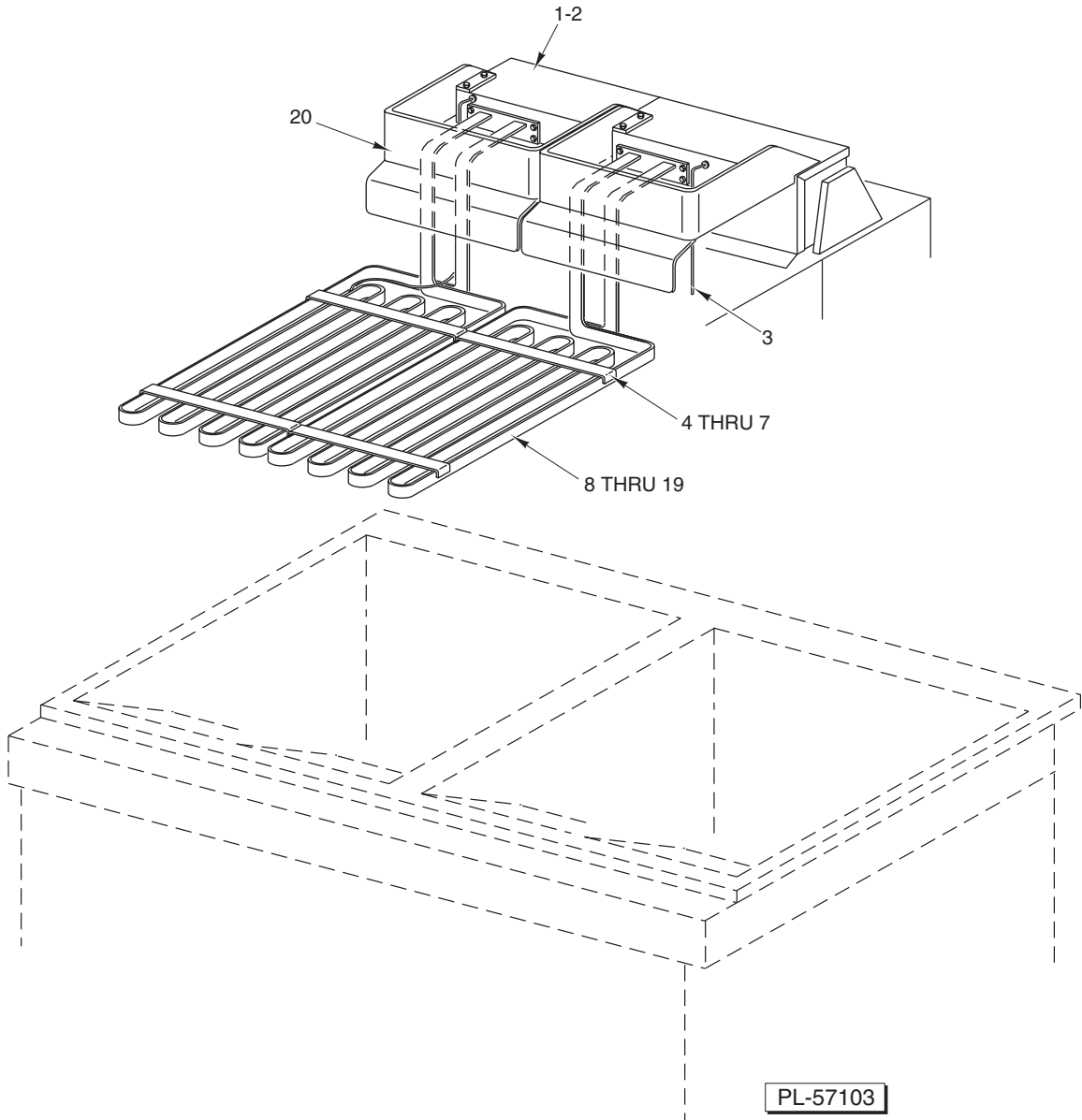


PL-57102

TANK ASSEMBLY

TANK ASSEMBLY

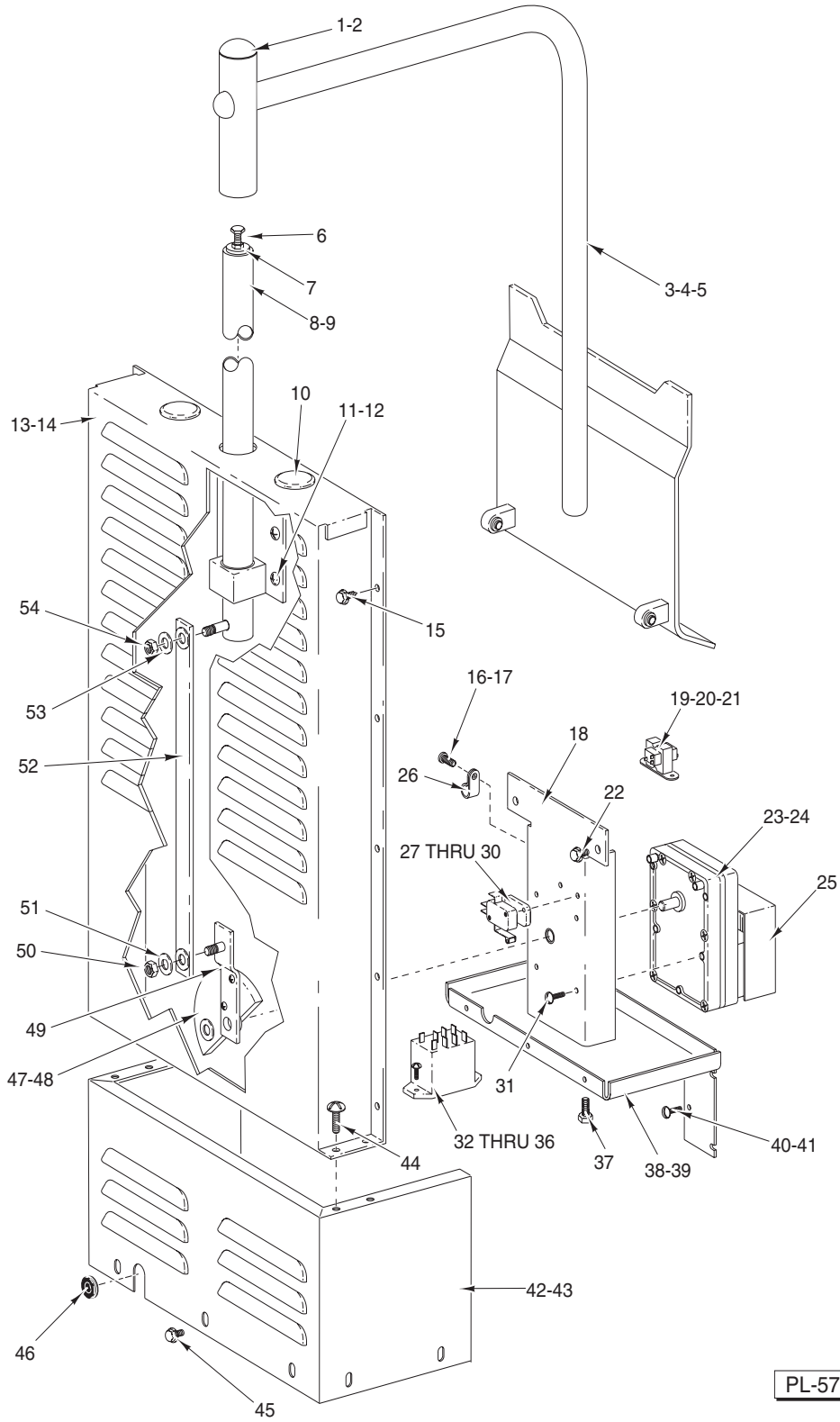
ILLUS.	PART NO.	NAME OF PART	AMT.
PL-57102			
1	00-421844-000G1	Tank Assy. (HFD50/50F & HFC50/50F)	1
2	00-421842-000G1	Tank Assy. (HFD85/85F & HFC85/85F)	1
3	00-414460-00001	Strip – Grease Protector (HFD50/50F & HFC50/50F)	1
4	00-414460-00002	Strip – Grease Protector (Spec) (HFD85/85F & HFC85/85F)	1
5	FP-028-14	Plug – Pipe 1/2 Sq. Hd.	AR
6	00-414345-00002	Door – Rear (HFD50/50F & HFC50/50F)	1
7	00-414345-00002	Door – Rear (HFD85/85F & HFC85/85F)	1
8	00-402570-00003	Eye Bolt	AR
9	NS-047-69	Lock Nut 6-32 Hex	AR
10	00-406363-00001	Spring – Door (Long)	AR
11	00-421893-00002	Caster – W/O Brake (4 In.)	2
12	00-421893-00001	Caster – Swivel W/Brake (4 In.)	2
13	00-418906-00001	Caster – Adjustable Rigid	2
14	00-428907-00001	Caster – Adjustable Swivel	2
15	00-413112-00007	Leg (6 1/4 In.) (SST)	4
16	00-413112-00009	Leg (6 In.) (SST)	4
17	00-413112-00010	Base Plate – Leg	4
18	00-426803-000G6	Valve Assy. (HFD50F & HFC50F) (Incls. Items 20 & 21)	1
19	00-426803-000G7	Valve Assy. (HFD85F & HFC85F) (Incls. Items 20 & 21)	1
20	00-426805-000G1	Switch Assy.	1
21	00-426801-00002	Magnet – Switch Element Head	1
22	00-414214-00002	Wire Rack (HFD50/50F & HFC50/50F)	1
23	00-422378-00001	Wire Rack (HFD85/85F & HFC85/85F)	1



HEATING ELEMENT ASSEMBLY

HEATING ELEMENT ASSEMBLY

ILLUS.	PART NO.	NAME OF PART	AMT.
PL-57103			
1	00-421829-000G1	Element Head Assy. (HFD85/85F & HFC85/85F)	1
2	00-422322-000G1	Element Head Assy. (HFD50/50F & HFC50/50F)	1
3	00-416782-00001	Bracket – Hi-Limit	AR
4	00-414177-00001	Clamp – Bottom Element Assy. (HFD50/50F & HFC50/50F)	2
5	00-422380-00002	Clamp – Bottom Element Assy. (HFD85/85F & HFC85/85F)	1
6	00-422381-000G1	Clamp – Top Element Assy. (HFD85/85F & HFC85/85F)	4
7	00-414178-000G2	Clamp – Top Element Assy. (HFD50/50F & HFC50/50F)	4
8	00-416741-000G5	Element Assy. (208 V., 7000 kW) (HFD50/50F & HFC50/50F)	2
9	00-416741-000G6	Element Assy. (220 V., 7000 kW) (HFD50/50F & HFC50/50F)	2
10	00-416741-000G7	Element Assy. (240 V., 7000 kW) (HFD50/50F & HFC50/50F)	2
11	00-416741-000G8	Element Assy. (480 V., 7000 kW) (HFD50/50F & HFC50/50F)	2
12	00-416741-000G9	Element Assy. (208 V., 8500 kW) (HFD50/50F & HFC50/50F)	2
13	00-416741-00G10	Element Assy. (220 V., 8500 kW) (HFD50/50F & HFC50/50F)	2
14	00-416741-00G11	Element Assy. (240 V., 8500 kW) (HFD50/50F & HFC50/50F)	2
15	00-416741-00G12	Element Assy. (480 V., 8500 kW) (HFD50/50F & HFC50/50F)	2
16	00-421892-000G1	Element Assy. (208 V., 12000 kW) (HFD85/85F & HFC85/85F)	2
17	00-421892-000G2	Element Assy. (220 V., 12000 kW) (HFD85/85F & HFC85/85F)	2
18	00-421892-000G3	Element Assy. (240 V., 12000 kW) (HFD85/85F & HFC85/85F)	2
19	00-421892-000G4	Element Assy. (480 V., 12000 kW) (HFD85/85F & HFC85/85F)	2
20	00-422416-00001	Hanger – Twin Basket (HFD50/50F & HFC50/50F)	2
	00-414146-00002	Thermostat Hi-Limit (Not Shown)	1
	00-426805-000G1	Switch – Element Head (Not Shown)	1
	00-426801-00002	Magnet – Switch Element Head (Not Shown)	1

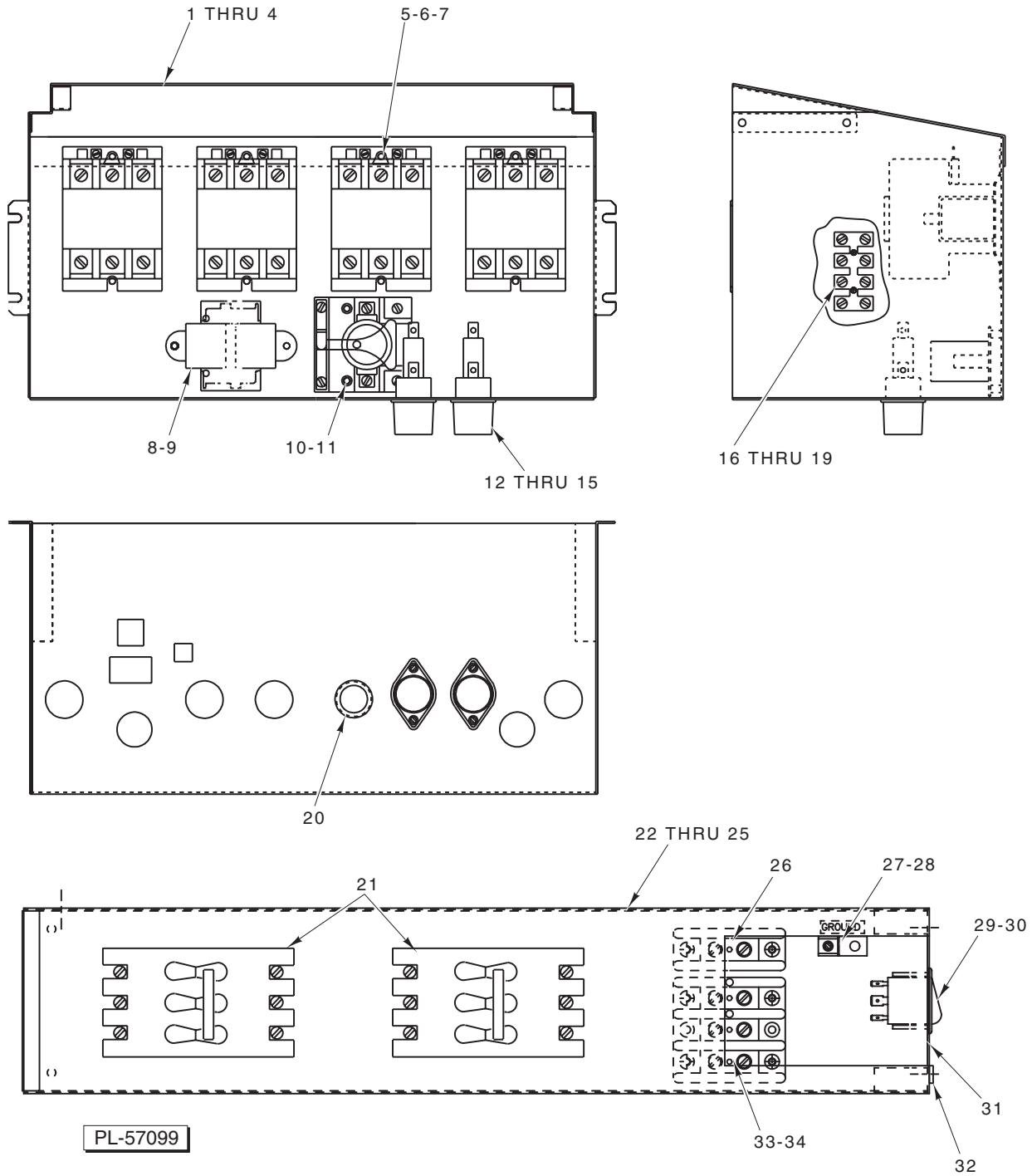


PL-57104

BASKETLIFT COMPONENTS

BASKETLIFT COMPONENTS

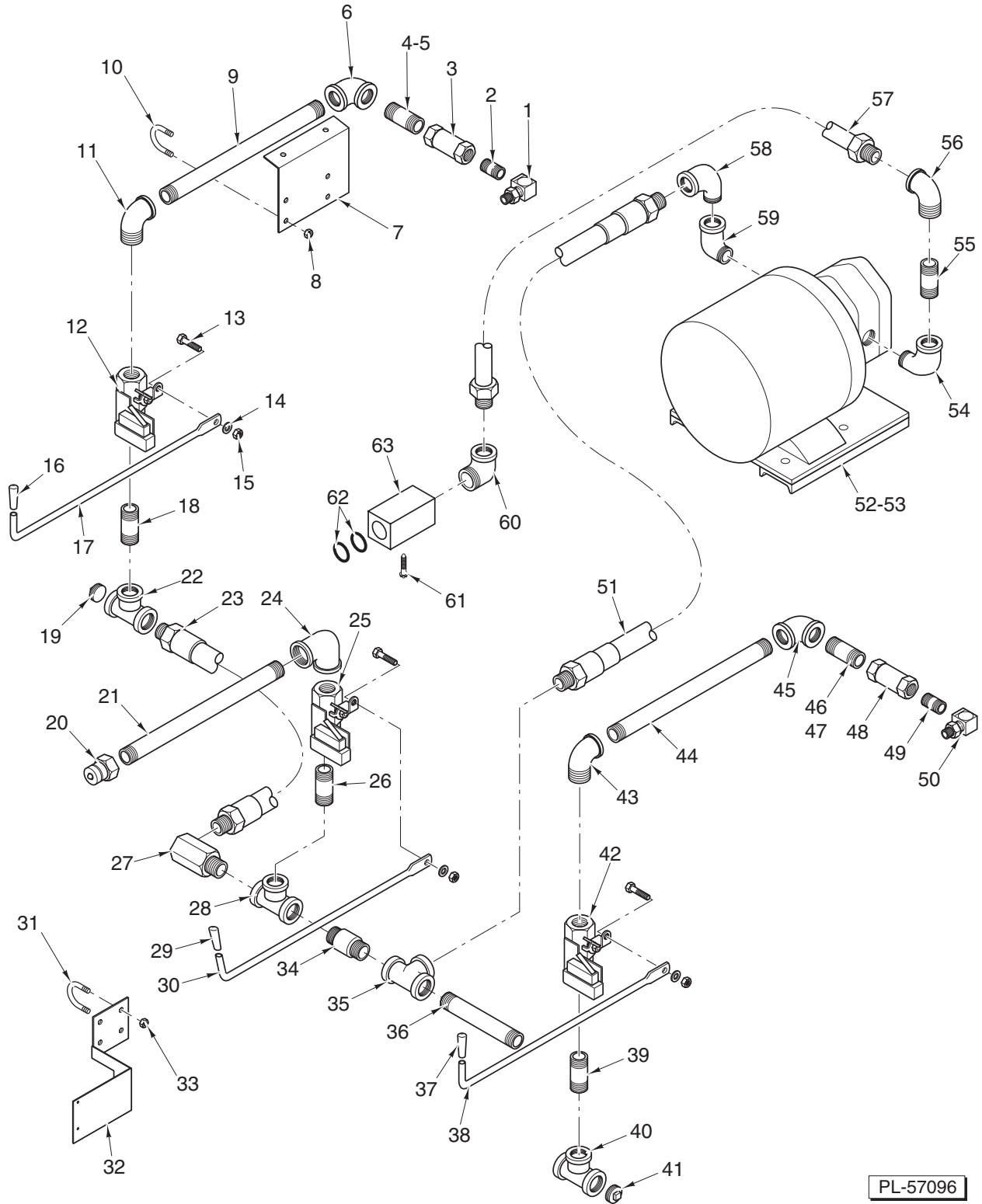
ILLUS. PL-57104	PART NO.	NAME OF PART	AMT.
1	00-423374-00001	Cap – Rod End	1
2	SC-047-34	Set Screw ⁵ / ₁₆ -18 x ¹ / ₂ Hdls., Cup Pt.	1
3	00-422495-000G1	Lift Assy. (HFD50/50F & HFC50/50F)	1
4	00-422495-000G2	Lift Assy. (HFD85/85F & HFC85/85F)	1
5	00-422495-000G3	Lift Assy. (HFD50/50F & HFC50)	1
6	00-418118-00001	Bolt – Adjusting	1
7	NS-018-01	Jam Nut ¹ / ₄ -20 Hex	1
8	00-418479-000G2	Tube – Basketlift	1
9	00-423262-000G1	Tube – Basketlift	1
10	PB-004-04	Plug Button (1 ¹ / ₄)	2
11	SD-032-07	Self-Tapping Screw 10-24 x ¹ / ₂ Hex Washer Hd., Type TT	6
12	00-422247-000G1	Bearing Support Assy.	1
13	00-422017-00001	Wrap – Top (HFD50/50F & HFC50/50F)	1
14	00-422018-00001	Wrap – Top (HFD85/85F & HFC85/85F)	1
15	SD-036-03	Self-Tapping Screw 8-18 x ³ / ₈ Hex Washer Hd., Type AB	10
16	SC-109-10	Mach. Screw 6-32 x ³ / ₈ Pan Hd.	1
17	NS-009-07	Mach. Nut 6-32 Hex	1
18	00-418123-000G1	Plate – Motor	1
19	00-411500-00012	Transformer (120 VAC, 28 V., 20 VA)	AR
20	00-411500-00013	Transformer (200-240 VAC, 28 V., 20 VA)	AR
21	SD-032-07	Self-Tapping Screw 10-24 x ¹ / ₂ Hex Washer Hd., Type TT	2
22	SC-037-80	Cap Screw 10-24 x ¹ / ₂ Hex Hd.	6
23	00-418156-00001	Gear – Motor (115 V., 60 Hz.)	1
24	00-418156-00002	Gear – Motor (208 V.)	1
25	00-418517-00001	Shroud – Motor	1
26	00-078752-00012	Clamp – Cable	1
27	00-418159-00001	Block – Cam Switch	1
28	00-411496-000F3	Switch – Micro	1
29	SC-112-90	Mach. Screw 4-40 x 1 Pan Hd.	2
30	NS-009-12	Mach. Nut 8-32 Hex	2
31	SC-018-47	Mach. Screw 10-32 x ³ / ₄ Pan Hd.	4
32	00-416535-00004	Relay S.P.D.T. 24 V. Coil (Located on rear of panel)	1
33	00-416535-00006	Switch – Relay (HFC85F)	AR
34	00-416535-00007	Switch – Relay (240 V.) (HFD50/50F/85/85F & HFC50/50F/85)	AR
35	SC-109-10	Mach. Screw 6-32 x ³ / ₈ Pan Hd.	2
36	NS-009-07	Mach. Nut 6-32 Hex	2
37	SC-037-80	Cap Screw 10-24 x ¹ / ₂ Hex Hd.	2
38	00-422730-00001	Base – Motor Mounting (HFD85/85F & HFC85/85F)	1
39	00-422729-00001	Base – Motor Mounting (HFD50/50F & HFC50/50F)	1
40	SC-037-80	Cap Screw 10-24 x ¹ / ₂ Hex Hd.	2
41	SD-032-07	Self-Tapping Screw 10-24 x ¹ / ₂ Hex Washer Hd., Type TT	2
42	00-418480-00001	Wrap – Bottom (HFD50/50F & HFC50/50F)	1
43	00-418510-00001	Wrap – Bottom (HFD85/85F & HFC85/85F)	1
44	SD-036-03	Self-Tapping Screw 8-18 x ³ / ₈ Hex Washer Hd., Type AB	14
45	SC-037-80	Cap Screw 10-24 x ¹ / ₂ Hex Hd.	2
46	00-418482-00001	Grommet	1
47	00-418475-000G1	Crank-Arm Assy.	1
48	SC-055-02	Set Screw ¹ / ₄ -20 x ¹ / ₄ Hdls., Cup Pt.	2
49	SD-015-41	Self-Tapping Screw 8-32 x ¹ / ₂ Phil. Pan Hd., Taptite	2
50	NS-047-73	Lock Nut ⁵ / ₁₆ -18 Hex	1
51	WS-004-33	Washer	1
52	00-418477-000G2	Coupler Assy.	1
53	WS-004-33	Washer	1
54	NS-047-73	Lock Nut ⁵ / ₁₆ -18 Hex	1



POWER SUPPLY BOX

POWER SUPPLY BOX

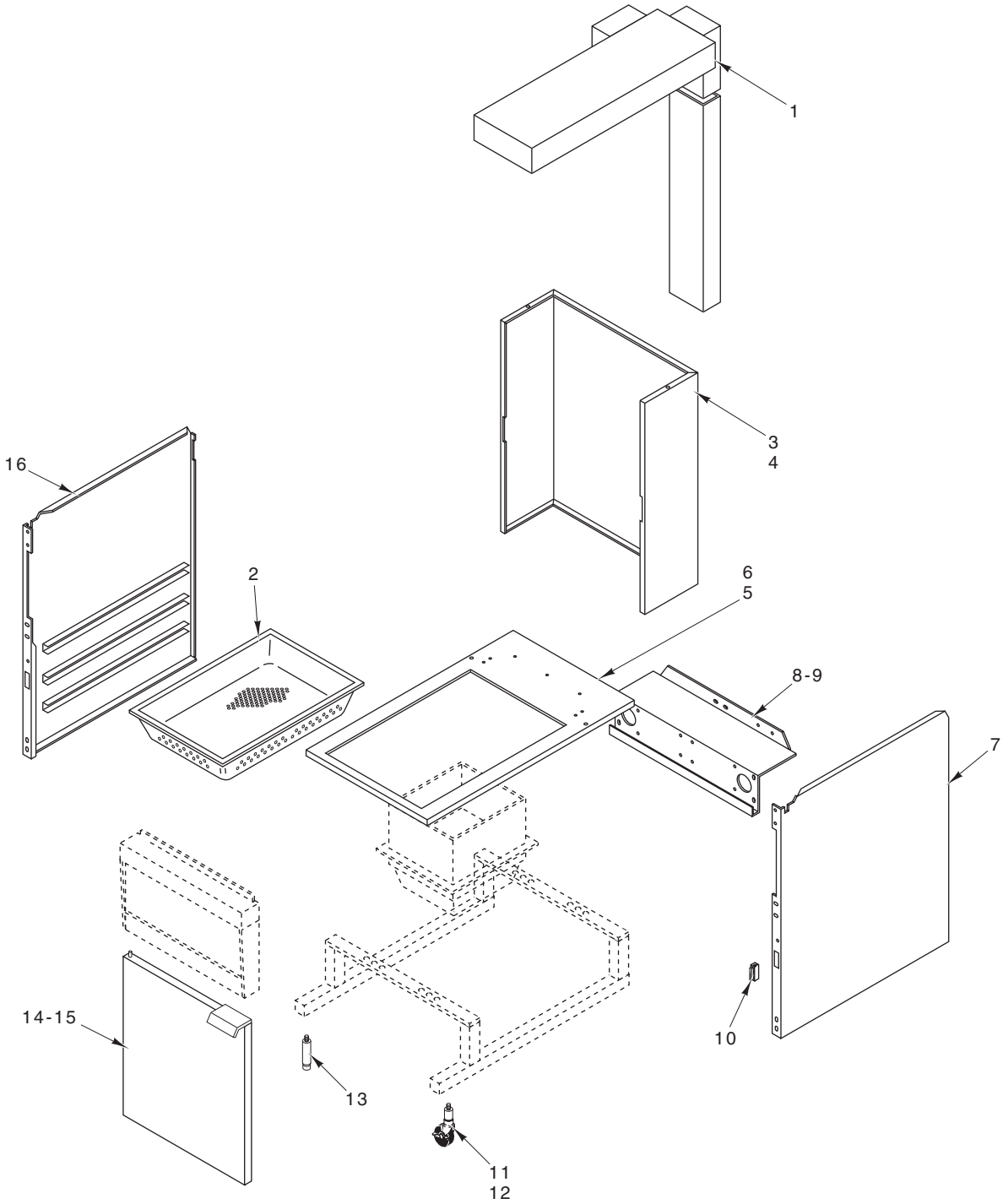
ILLUS.	PART NO.	NAME OF PART	AMT.
	PL-57099		
1	00-427803-000G1	Box – Power Supply HFD50/50F & HFC50/50F	1
2	00-427796-000G1	Lid – Power Supply HFD50/50F & HFC50/50F	1
3	00-427803-000G2	Box – Power Supply (HFD85/85F & HFC85/85F)	1
4	00-427796-000G2	Lid – Power Supply (HFD85/85F & HFC85/85F)	1
5	00-411497-000C5	Contacto – 3 Pole (40 Amp., 230 V.)	4
6	00-411497-000C3	Contacto – 3 Pole (40 Amp., 120 V.)	4
7	SD-036-96	Self-Tapping Screw 8-18 x 3/4 Hex Hd., Type AB	8
8	00-411500-00012	Transformer (120 VAC, 28 V., 40 VA)	1
9	00-411500-00013	Transformer (200-240 VAC, 28 V., 40 VA)	1
10	NS-046-89	Nut Assy. 6-32 Hex KEPS (HFD50F/85F & HFC50F/85F)	4
11	00-411497-000A3	Relay S.P.D.T. (24 V.) (HFD50F/85F & HFC50F/85F)	1
12	FE-019-40	Fuse (15 Amp., 300 V.)	2
13	FE-023-55	Holder – Fuse (15 Amp., 300 V.)	2
14	NS-009-07	Mach. Nut 6-32 Hex (HFD50F/85F & HFC50F/85F)	4
15	SC-021-10	Mach. Screw 6-32 x 1/2 Rd. Hd.	4
16	00-414208-00002	Barrier – Terminal	1
17	NS-009-07	Mach. Nut 6-32 Hex	2
18	SC-119-90	Mach. Screw 6-32 x 1 Pan Hd.	2
19	WL-004-40	Lockwasher #10 Medium	2
20	PB-002-26	Plug – Button	1
21	00-411501-00021	Breaker – (50 Amp., 24kW) (3-Pole) (HFD85/85F & HFC85/85F)	2
22	00-428270-00001	Box – Breaker (HFD50F & HFC50F)	1
23	00-427294-00001	Box – Breaker (HFD85F & HFC85F)	1
24	00-428271-00001	Lid – Breaker Box (HFD50F & HFC50F)	1
25	00-427295-00001	Lid – Breaker Box (HFD85F & HFC85F)	1
26	00-410472-00009	Block – 1 Pole Terminal	1
27	00-417856-00001	Lug – Ground	1
28	SD-036-96	Self-Tapping Screw 8-18 3/4 Hex Hd., Type AB	AR
29	00-411496-000B4	Switch (HFD50F/85F & HFC50F/85F)	1
30	00-426251-00001	Plug – Switch (Non-Pump)	1
31	00-428448-00001	Cover – Access	1
32	SD-036-96	Self-Tapping Screw 8-18 x 3/4 Hex Hd., Type AB	AR
33	00-410472-00008	Block – 3 Pole Terminal	1
34	SD-036-96	Self-Tapping Screw 8-18 x 3/4 Hex Hd., Type AB	AR



OIL RETURN

OIL RETURN

ILLUS.	PART NO.	NAME OF PART	AMT.
	PL-57096		
1	00-419251-00001	Fitting – 90 Deg. Swivel	AR
2	FP-086-28	Pipe 1/2 x 7/8 TBE	1
3	00-418786-00001	Valve – Check	AR
4	FP-035-94	Pipe 1/2 x 1 1/2 TBE (HFD85F & HFC85F)	AR
5	FP-035-96	Pipe 1/2 x 2 1/2 TBE (HFD50F & HFC50F)	1
6	FP-077-68	Elbow 1/2 x 90 Deg.	AR
7	00-421868-00001	Bracket – Oil Return	1
8	NS-046-52	Nut Assy. 1/4-20 Hex	4
9	00-426636-00001	Pipe 1/2 x 11 1/2	AR
10	00-521820	U-Bolt	2
11	FP-013-17	Elbow – Street 1/2 x 90 Deg.	AR
12	00-419291-000G1	Valve Assy.	AR
13	SC-113-34	Shoulder Screw 1/4-20 x 1/2 Hex Soc. Hd.	3
14	WS-005-06	Washer	3
15	NS-046-52	Nut Assy. 1/2-20 Hex KEPS	3
16	00-416435-00001	Grip (Red)	AR
17	00-418583-00003	Rod – Refill	AR
18	FP-035-94	Pipe 1/2 x 1 1/2 TBE	AR
19	FP-028-14	Pipe – Plug 1/2 Sq. Hd.	1
20	00-418781-00001	Quick Disconnect	1
21	FP-083-37	Pipe 1/2 x 9	1
22	FP-019-25	Tee 1/2 x 1/2 x 1/2	1
23	00-418783-00009	Hose	1
24	FP-077-68	Elbow 1/2 x 90 Deg.	1
25	00-419291-000G1	Valve Assy.	1
26	FP-035-94	Pipe 1/2 x 1 1/2 TBE	1
27	00-418968-00001	Fitting – 90 Deg. Swivel	1
28	FP-019-25	Tee 1/2 x 1/2 x 1/2	1
29	00-416435-00002	Grip (White)	1
30	00-418583-00004	Rod – Discard	1
31	00-521820	U-Bolt	2
32	00-427435-00001	Bracket – Pull Rod	1
33	NS-046-52	Nut Assy. 1/4-20 Hex	4
34	FP-035-95	Pipe 1/2 x 2 TBE	1
35	FP-019-25	Tee 1/2 x 1/2 x 1/2	1
36	FP-035-95	Pipe 1/2 x 2 TBE	AR
37	00-416435-00001	Grip (Red)	1
38	00-418583-00003	Rod – Refill	1
39	FP-035-94	Pipe 1/2 x 1 1/2 TBE	AR
40	FP-019-25	Tee 1/2 x 1/2 x 1/2	AR
41	FP-028-14	Pipe – Plug 1/2 Sq. Hd.	AR
42	00-419291-000G1	Valve Assy.	AR
43	FP-013-17	Elbow – Street 1/2 x 90 Deg.	AR
44	00-426636-00001	Pipe 1/2 x 11 1/2	AR
45	FP-077-68	Elbow 1/2 x 90 Deg.	AR
46	FP-035-94	Pipe 1/2 x 1 1/2 TBE (HFD85F & HFC85F)	AR
47	FP-035-96	Pipe 1/2 x 2 1/2 TBE (HFD50F & HFC50F)	AR
48	00-418786-00001	Valve – Check	AR
49	FP-086-28	Pipe 1/2 x 7/8 TBE	AR
50	00-419251-00001	Fitting – 90 Deg. Swivel	AR
51	00-418783-00005	Hose	1
52	00-417792-00001	Pump Motor Assy. (120 V., 60 Hz.)	1
53	00-417792-00004	Pump Motor Assy. (230 V., 50/60 Hz.)	1
54	FP-077-68	Elbow 1/2 x 90 Deg.	AR
55	FP-035-94	Pipe 1/2 x 1 1/2 TBE	AR
56	FP-077-68	Elbow 1/2 x 90 Deg.	AR
57	00-426602-00002	Flex Hose	1
58	FP-013-17	Elbow – Street 1/2 x 90 Deg.	1
59	FP-013-17	Elbow – Street 1/2 x 90 Deg.	1
60	FP-013-17	Elbow – Street 1/2 x 90 Deg.	AR
61	SC-114-01	Mach. Screw 10-32 x 3/8 Hex Washer Hd.	1
62	00-426567-00002	O-Ring (Viton)	1
63	00-426567-00001	Receptical – Oil Suction	1
*	00-411496-000F7	Micro Switch (Included with Items 12, 25, & 42)	1



PL-57100

DUMP STATION ASSEMBLY

DUMP STATION ASSEMBLY

ILLUS.	PART NO.	NAME OF PART	AMT.
PL-57100			
1	00-422609-00002	Heat Lamp Assy.	1
2	00-415585-00001	Pan – Perforated	1
3	00-422021-00002	Wrap – Flue (HG015)	1
4	00-422022-00002	Wrap – Flue (HG021)	1
5	00-422371-000G5	Top – Dump Station Assy. (HG015)	1
6	00-422372-000G5	Top – Dump Station Assy. (HG021)	1
7	00-420596-00004	Body – Side (RH)	1
8	00-416950-00001	Body – Bottom Rear (HG015)	1
9	00-419652	Body – Bottom Rear (HG021)	1
10	00-426573-00001	Catch – Magnetic	1
11	00-418906-00001	Caster – Adjustable (Rigid)	AR
12	00-418907-00001	Caster – Adjustable (Swivel)	AR
13	00-413112-00009	Legs	AR
14	00-426562-000G2	Door Assy. (HG015)	1
15	00-426562-000G6	Door Assy. (HG021)	1
16	00-420596-00003	Body – Side (LH)	1

ACCESSORIES

PART NO.	NAME OF PART	AMT.
00-418783-00010	Fitting – Swivel Straight (HFC85F & HFC85F)	1
00-418783-00005	Hose – Flex 1/2 I.D. x 5/8 O.D. x 28 Lg. (HFD50F/85F & HFC50F/85F)	1
00-418783-00009	Hose – Flex 1 1/2 Lg. (HFD50F/85F & HFC50F/85F)	1
00-414848-000G2	Vat Cover Assy. (HFD50/50F & HFC50/50F)	3
00-418358-000G1	Vat Cover Assy.(HFD85/85F & HFC85/85F)	3
00-418346-00002	Cord – Electrical 120 V. (HFD50/85 & HFC50/85)	1
00-078752-00003	Clamp – Cable (HFD50/85 & HFC50/85)	1

