



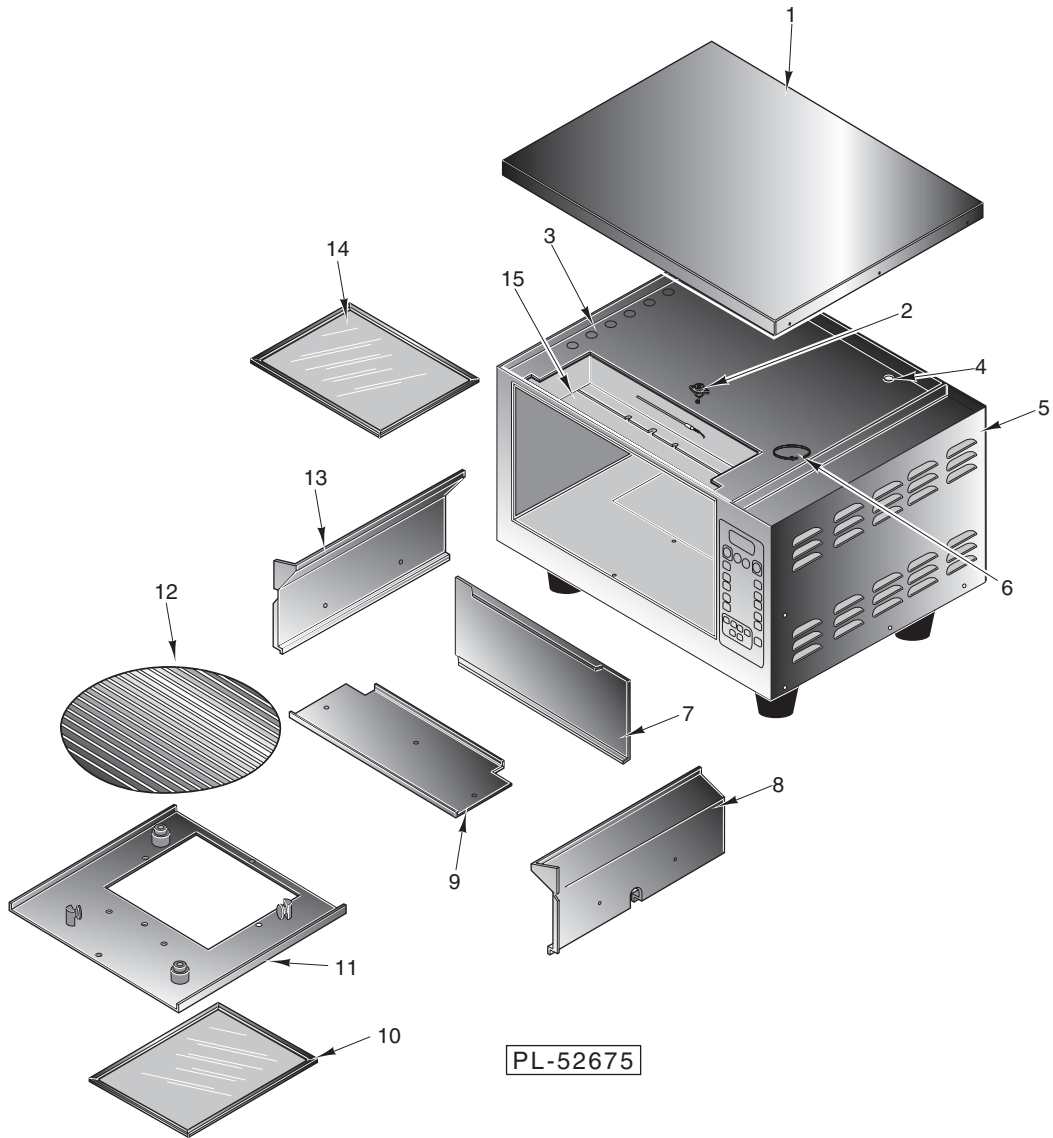
CATALOG OF REPLACEMENT PARTS

FLASHBAKE OVENS

MODELS

ML-114906 HFB12 W/O POWER CORD
ML-114909 HFB12 W/POWER CORD

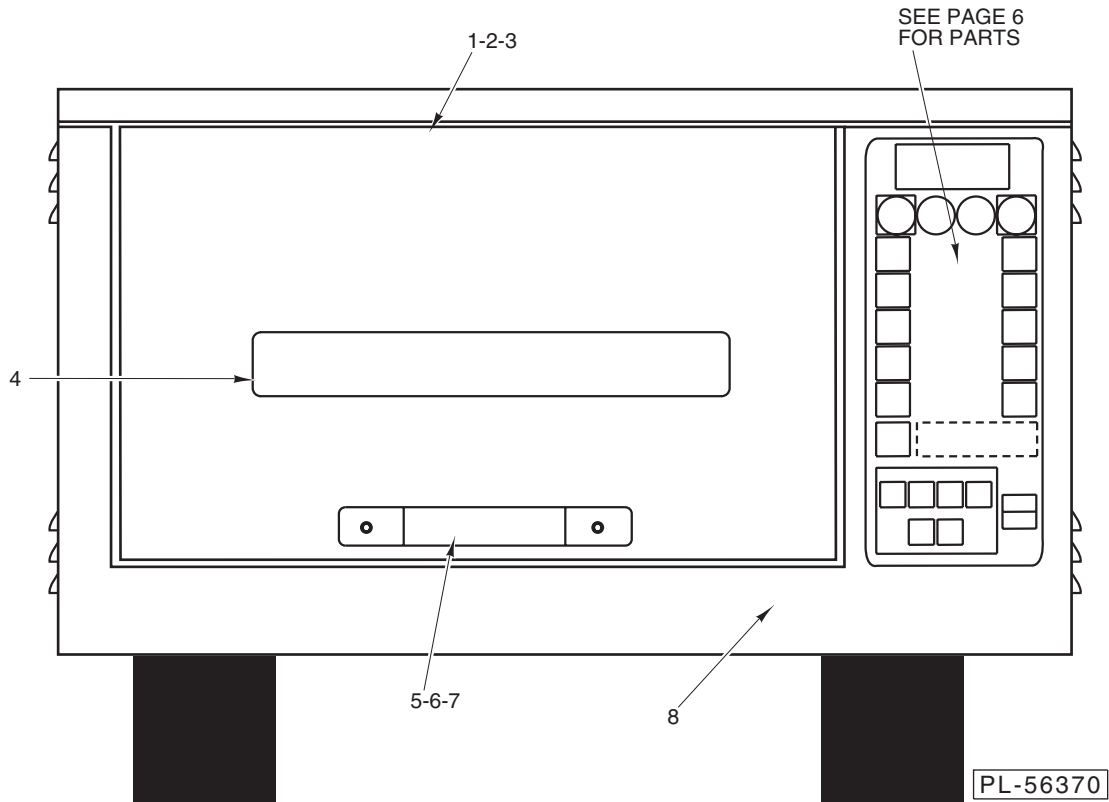




CAVITY AND COVERS

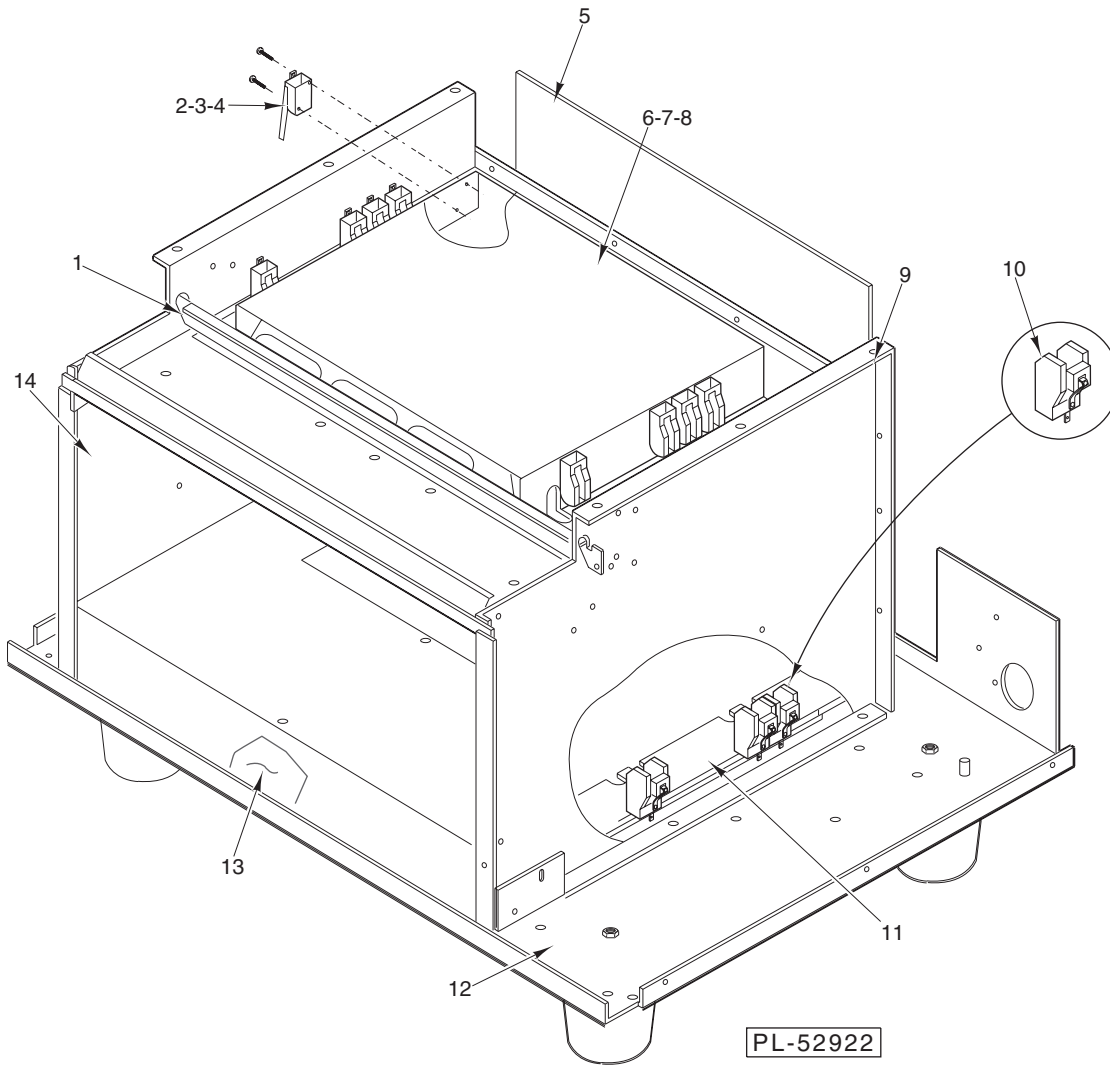
CAVITY AND COVERS

ILLUS. PL-52675	PART NO.	NAME OF PART	AMT.
1	00-423970-00001	Panel – Top Cover	1
2	00-423989-00001	Sensor – Temperature 230 Deg. F.	1
3	00-423960-00001	Support – Wall Top	1
4	00-423994-00001	Grommet – Top Plate	1
5	00-423957-00001	Panel – Side	2
6	00-423993-00001	Ties – Cable	3
7	00-423953-00001	Cavity – Rear	1
8	00-423965-00001	Cavity – Right	1
9	00-423954-00001	Cavity – Top	1
10	00-423923-000G1	Lower Shield Assy.	1
11	00-423973-000G1	Pulley Plate Assy.	1
12	00-423922-00001	Grill 16 In. (SST)	1
13	00-423964-00001	Cavity – Left	1
14	00-427652-000G1	Kit – Lamp Shield Service	1
15	00-423963-00001	Plate – Top	1
	00-424064-00001	Pan – Flashware 12 In.	1
	00-424065-00001	Pan – Blackbuster 6 In.	1
	00-424065-00002	Pan – Blackbuster 7 In.	1
	00-424065-00003	Pan – Blackbuster 10 In.	1
	00-424065-00004	Pan – Blackbuster 12 In.	1
	00-424065-00005	Pan – Blackbuster 14 In.	1
	00-424065-00006	Pan – Blackbuster 16 In.	1
	00-424066-00001	Pan – Silverstone 12 In.	1



FRONT DOOR ASSEMBLY

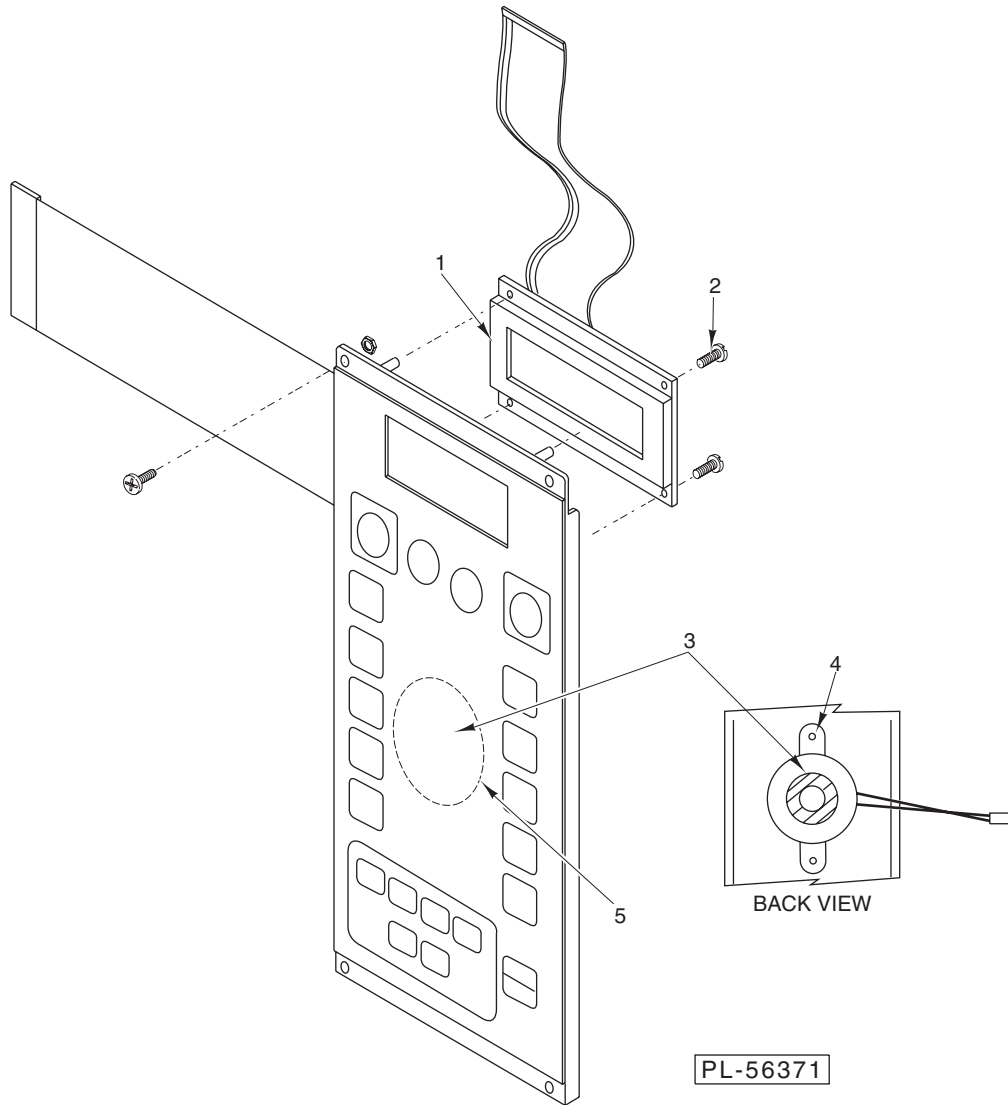
ILLUS.	PART NO.	NAME OF PART	AMT.
	PL-56370		
1	00-423967-000G1	Door Weldment	1
2	00-423920-00002	Gasket (19 ¹ / ₄ In. Lg.)	2
3	00-423920-00003	Gasket (9 In. Lg.)	2
4	00-423977-000G1	Bezel Assy. (Incls. Inner & Outer Glass)	1
5	00-424044-00001	Handle Assy.	1
6	SC-040-15	Cap Screw ⁵ / ₁₆ -18 x 1 ¹ / ₄ Soc. Hex Hd.	2
7	00-424051-00001	Clip – Tinnerman (Type 5)	2
8	00-423969-00001	Panel – Front	1
	00-423976-000G1	Front Door Assy. (Incls. Items 1 thru 7)	1



SOCKET BRACKET ASSEMBLY

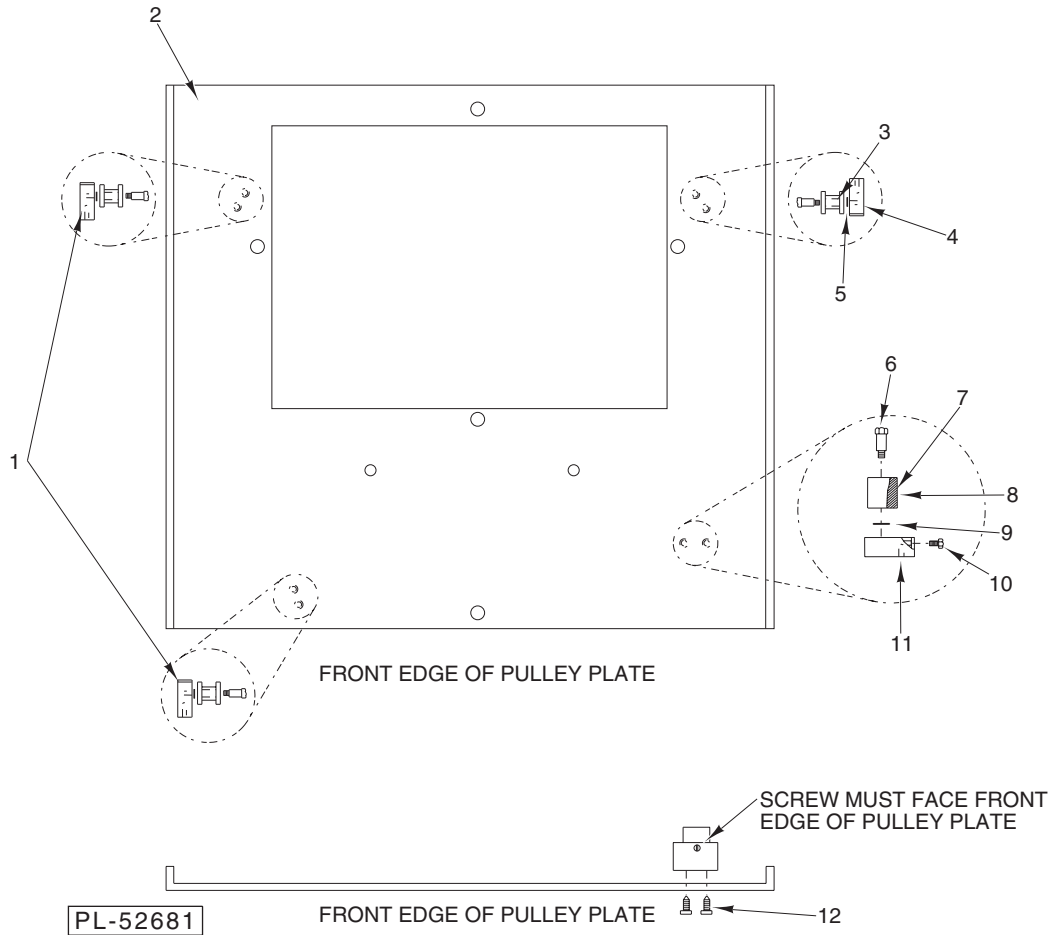
ILLUS.	PART NO.	NAME OF PART	AMT.
PL-52922			
1	00-423913-00001	Plate – Door Lock	1
*2	00-854438-00002	Switch – Micro Glass (Mfg. After October 2001)	1
*3	00-854449-00001	Kit – Field Replacement “Glass” Switch (Mfg. Before October 2001)	1
4	SC-018-69	Mach. Screw 4-40 x 3/4 Phil. Pan Hd.	2
5	00-423929-00001	Support – Rear Wall	1
6	00-423927-00001	Bracket – Socket	1
7	00-423928-00001	Reflector	1
8	00-424042-00001	Lamp (J225/230 V., 2000 W.)	7
9	00-423959-00001	Support – Right Wall	1
10	00-424043-00001	Socket – Lamp	14
11	00-423927-00001	Bracket – Socket	1
12	00-423962-00001	Plate – Base	1
13	00-423961-00001	Support – Bottom Wall	1
14	00-423958-00001	Support – Left	1

*If Existing Switch Is Black or Blue, Use Item 3. If Existing Switch Is Brown, Use Item 2.



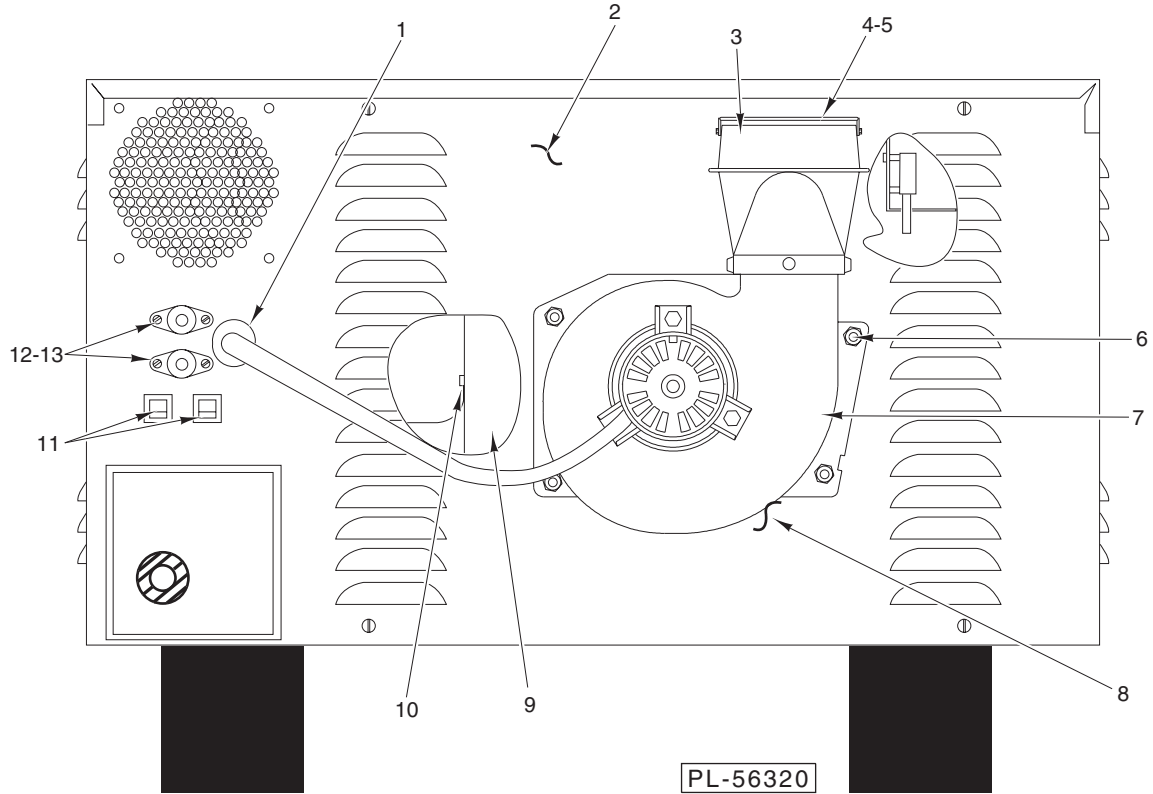
MEMBRANE SWITCH ASSEMBLY

ILLUS.	PART NO.	NAME OF PART	AMT.
PL-56371			
1	00-423896-00001	LCD Display 4 x 20	1
2	00-424084-00001	Mach. Screw 4-40 x 3/8 Pan Hd. Nylon	4
3	00-423888-000G1	Electronic Beeper Assy.	1
4	SC-018-55	Mach. Screw 4-40 x 1/2 Phil. Pan Hd.	2
5	00-423924-000G3	Membrane Plate/Switch Assy.	1



PULLEY PLATE ASSEMBLY

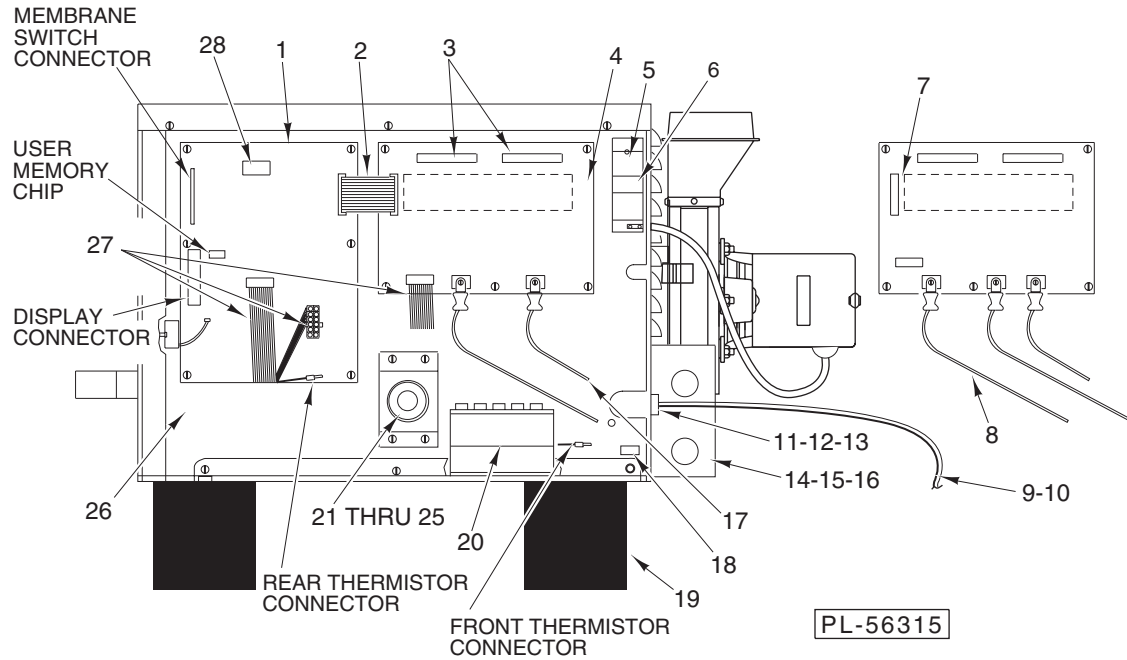
ILLUS.	PART NO.	NAME OF PART	AMT.
1	00-423882-00001	Support – Roller	2
2	00-423966-00001	Plate – Pulley	1
3	00-423886-000G1	Roller (Long)	3
4	00-423883-00001	Support – Roller (Short)	1
5	00-424029-00001	Washer – Flat (Brass)	3
6	00-424035-00001	Shoulder Screw 8-32 x 3/4 (SST)	4
7	00-423884-000G1	Roller – Horizontal	1
8	00-424034-00001	Bearing – Plain 5 mm 1D x 5 mm	3
9	00-424029-00001	Washer – Flat (Brass)	1
10	SC-114-27	Mach. Screw 8-32 x 1/2 Phil. Pan Hd.	2
11	00-423885-00001	Support – Roller (Horizontal)	1
12	SC-124-05	Mach. Screw 8-32 x 3/8 Phil. Flat Hd.	7



REAR PANEL ASSEMBLY

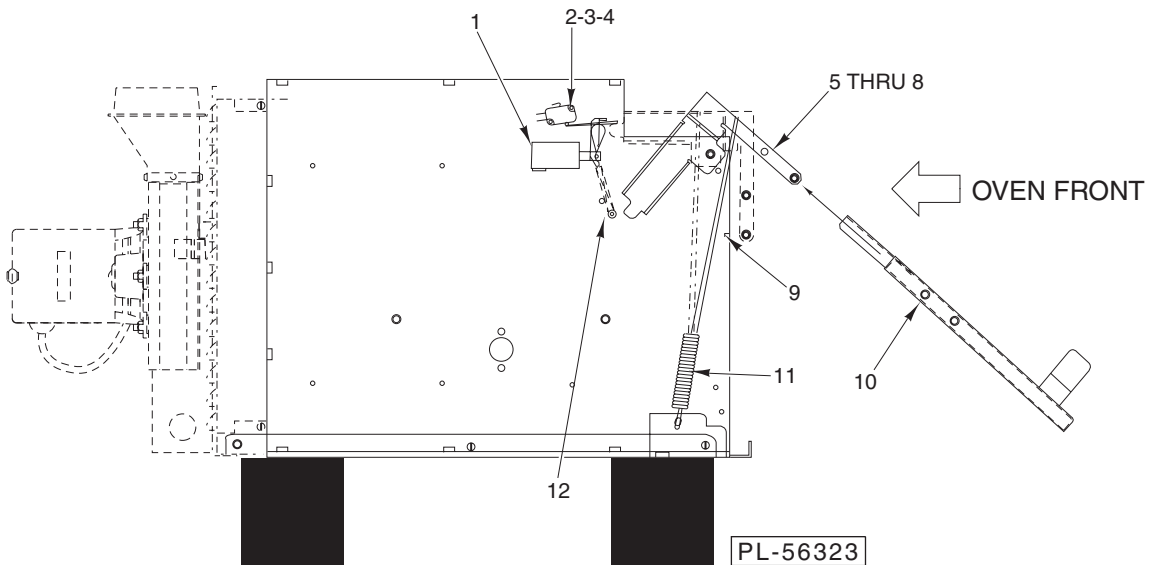
ILLUS.	PART NO.	NAME OF PART	AMT.
	PL-56320		
1	00-423992-00001	Strain – Relief ⁵ / ₈ (Use W/Item 2)	1
*2	00-854448-00001	Panel – Rear	1
*3	00-425198-00002	Vent Adapter	1
*4	00-423784-00001	Guard – Blower Exhaust	1
5	SD-036-03	Self-Tapping Screw 8-18 x ³ / ₈ Hex Washer Hd., Type AB	5
6	NS-046-52	Nut ¹ / ₄ -20 Hex KEPS	4
*7	00-425198-00001	Blower (208/230 V.)	1
*8	00-425205-00001	Gasket – Blower (Between Blower and Rear Panel)	1
*9	00-424019-000G2	Exhaust – Duct Assy. W/Gasket	1
10	00-423892-00001	Thermistor 100K	1
11	00-423987-00001	Breaker – Circuit (CB1 & CB2)	2
12	00-344138-00004	Fuse Holder (20 Amp., 600 V.)	2
13	00-423986-00001	Fuse KTK-R-3	2

*Must Order Items 2 thru 9 When Replacing Any of These Components on Units Built Prior to Serial No. 271117881 (March 2002) and All Plant 48 Units.



**ELECTRONICS ASSEMBLY
(RH VIEW)**

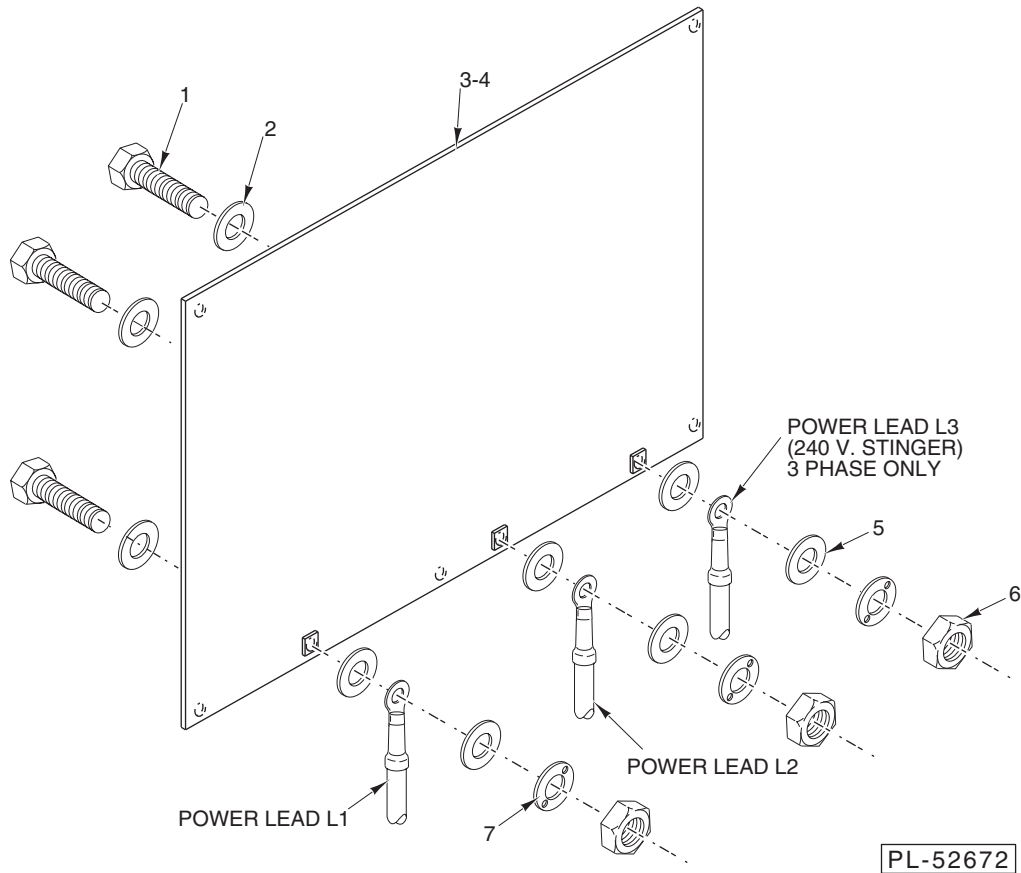
ILLUS.	PART NO.	NAME OF PART	AMT.
PL-56315			
1	00-423910-00001	PCB – Main 5K	1
2	00-423895-00001	Ribbon Cable Assy. 5K	1
3	00-423898-00001	Harness – Lamp	1
4	00-423908-00001	Board – Relay 5K, 1 Ph.	1
5	00-424403-00001	Board – Photo Detector	2
6	00-424036-00001	Fan 106 CFM	1
7	00-423909-00001	Board – Relay 3 Ph.	1
8	00-423926-000G1	Pig Tail 3 Ph., 5 kW (ML-114906)	1
9	00-423899-00001	Cord – Power 5K, 1 Ph., 60 Amp. (ML-114909)	1
10	00-423900-00001	Cord – Power 5K, 3 Ph., 50 Amp., 250 V. (ML-114909)	1
11	00-423991-00001	Strain Relief 3 Ph. (ML-114909)	1
12	00-423991-00002	Strain Relief 1 Ph. (ML-114909)	1
13	00-424082-00001	Nut – Strain Relief (ML-114909)	1
14	00-424009-00001	J-Box & Cover Assy. (ML-114906)	1
15	00-424009-00002	J-Box & Cover Assy. (ML-114906)	1
16	SA-021-42	Mach. Screw 8-32 x 1/2 Phil. Pan Hd.	3
17	00-423925-000G1	Pig Tail 1 Ph., 5 kW (ML-114906)	1
18	00-424403-00001	Photo Detector Board	1
19	00-423893-00001	Foot – Molded	4
20	00-423904-00001	Transformer 5K	1
21	00-423984-00001	Motor – DC 5K	1
22	00-423955-00001	Bracket – Motor	1
23	00-423880-00001	Shaft – Drive Pulley	1
24	00-423879-00001	Block – Drive Pulley	1
25	SD-036-03	Self-Tapping Screw 8-18 x 3/8 Hex Washer Hd., Type AB	4
26	00-423974-000G1	PCB Wall Assy.	1
27	00-423901-00001	Harness – Sensor	AR
28	00-424050-00001	EPROM (STD)	1



**ELECTRICAL & DOOR HINGE ASSEMBLY
(LEFT SIDE)**

ILLUS.	PART NO.	NAME OF PART	AMT.
	PL-56323		
1	00-423988-00001	Solenoid DC	1
*2	00-854438-00001	Switch – Micro	1
*3	00-854440-00001	Kit – Field Replacement, Door Switch (Mfg. Before October 2001)	1
4	SC-018-69	Mach. Screw 4-40 x 3/4 Phil. Pan Head	2
5	00-423915-00001	Hinge – Right	1
6	00-423914-00001	Hinge – Left	1
7	00-423878-00001	Spacer – Hinge Inner	2
8	00-423881-00001	Spacer – Hinge Outer	2
9	00-424024-00001	Bumper – Door Stop (Rubber)	2
10	SC-124-13	Mach. Screw 6-32 x 1/4	4
11	00-424039-00001	Spring – Front Door Hinge	2
12	00-424007-00001	Plate – Spring Lock	2

*If Existing Switch Is Black or Blue, Use Item 3. If Existing Switch Is Brown, Use Item 2.



SINGLE/THREE PHASE RELAY BOARD

ILLUS.	PART NO.	NAME OF PART	AMT.
PL-52672			
1	SC-068-33	Mach. Screw 10-32 x Hex Hd.	AR
2	00-424047-00001	Washer – Copper #10	AR
3	00-423908-00001	Board – Relay 5K, 1 Ph.	1
4	00-423909-00001	Board – Relay 3 Ph.	1
5	WS-019-20	Washer	AR
6	NS-009-30	Mach. Nut 10-32 Hex	AR
7	00-424083-00001	Washer – Belville	AR

