



CATALOG OF REPLACEMENT PARTS

HBA ELECTRIC RACK OVENS

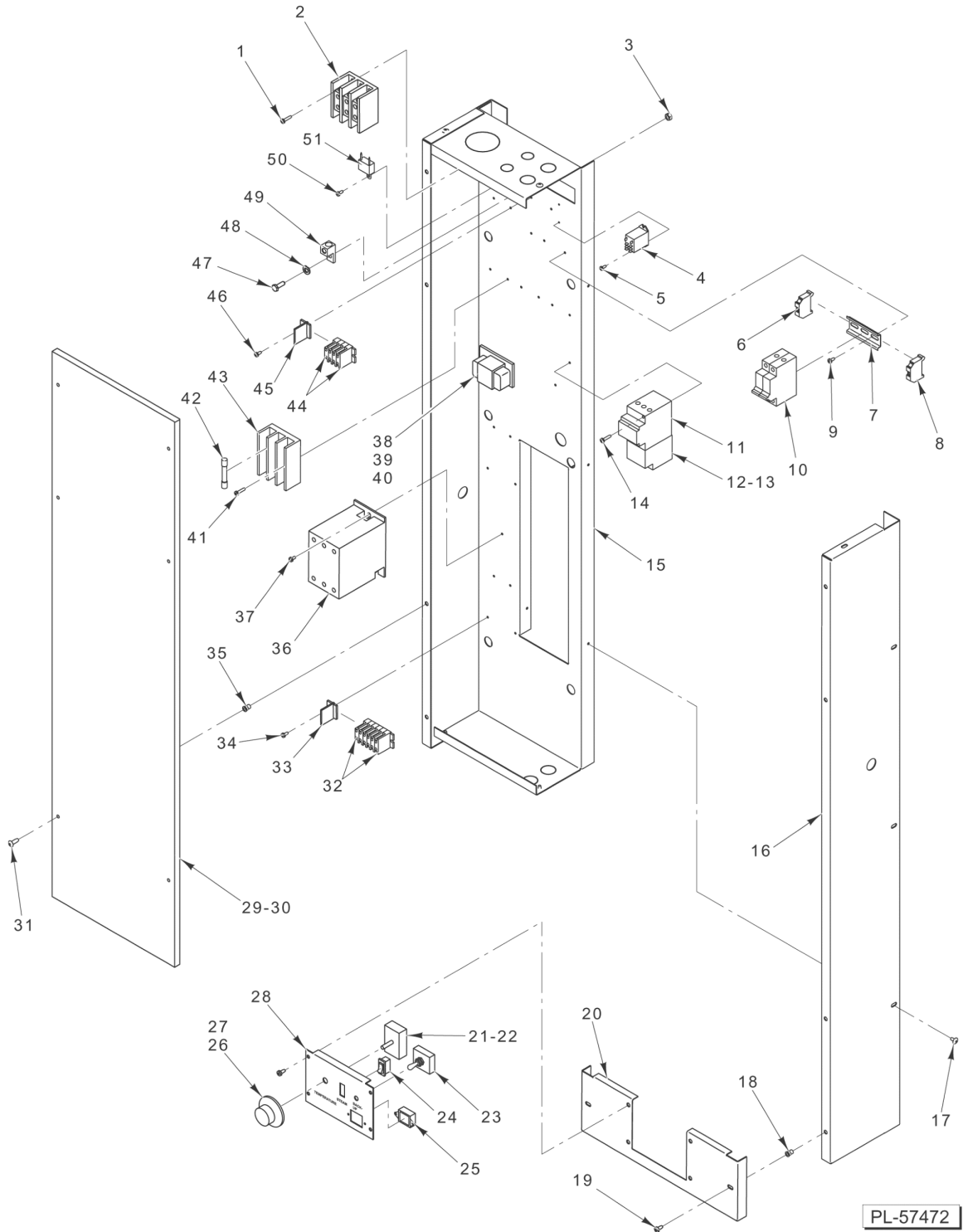


ML-132361
ML-132355

HBA1E
HBA2E

Table of Contents

| | |
|----|---|
| 5 | COMPONENT BOX (ML-132361) |
| 9 | COMPONENT BOX (ML-132355) |
| 13 | CABINET (ML-132361) (BEFORE 8/1/05) |
| 15 | CABINET (ML-132361) (ON OR AFTER 8/1/05) |
| 17 | CABINET (ML-132355) (BEFORE 8/1/05) |
| 19 | CABINET (ML-132355) (ON OR AFTER 8/1/05) |
| 21 | HOOD (ML-132361) |
| 23 | HOOD (ML-132355) |
| 25 | LOADING DOOR (ML-132361) |
| 27 | LOADING DOOR (ML-132355) |
| 29 | DOOR ASSEMBLY (PUSH LOCK TYPE) |
| 31 | CONTROL CABINET, DOOR, AND CONTROLLER (ML-132361) |
| 33 | CONTROL CABINET, DOOR, AND CONTROLLER (ML-132355) |
| 35 | BLOWER, PANELS, AND VENTS (ML-132361) |
| 37 | BLOWER, PANELS, AND VENTS (ML-132355) |
| 39 | LIFTER AND ROTATOR |
| 43 | STEAMER ASSEMBLY (ML-132361) |
| 45 | STEAMER ASSEMBLY (ML-132355) |
| 47 | VENTING |
| 49 | EXTERIOR WATER SUPPLY |
| 51 | HEATING ELEMENTS |



COMPONENT BOX (ML-132361)

COMPONENT BOX (ML-132361)

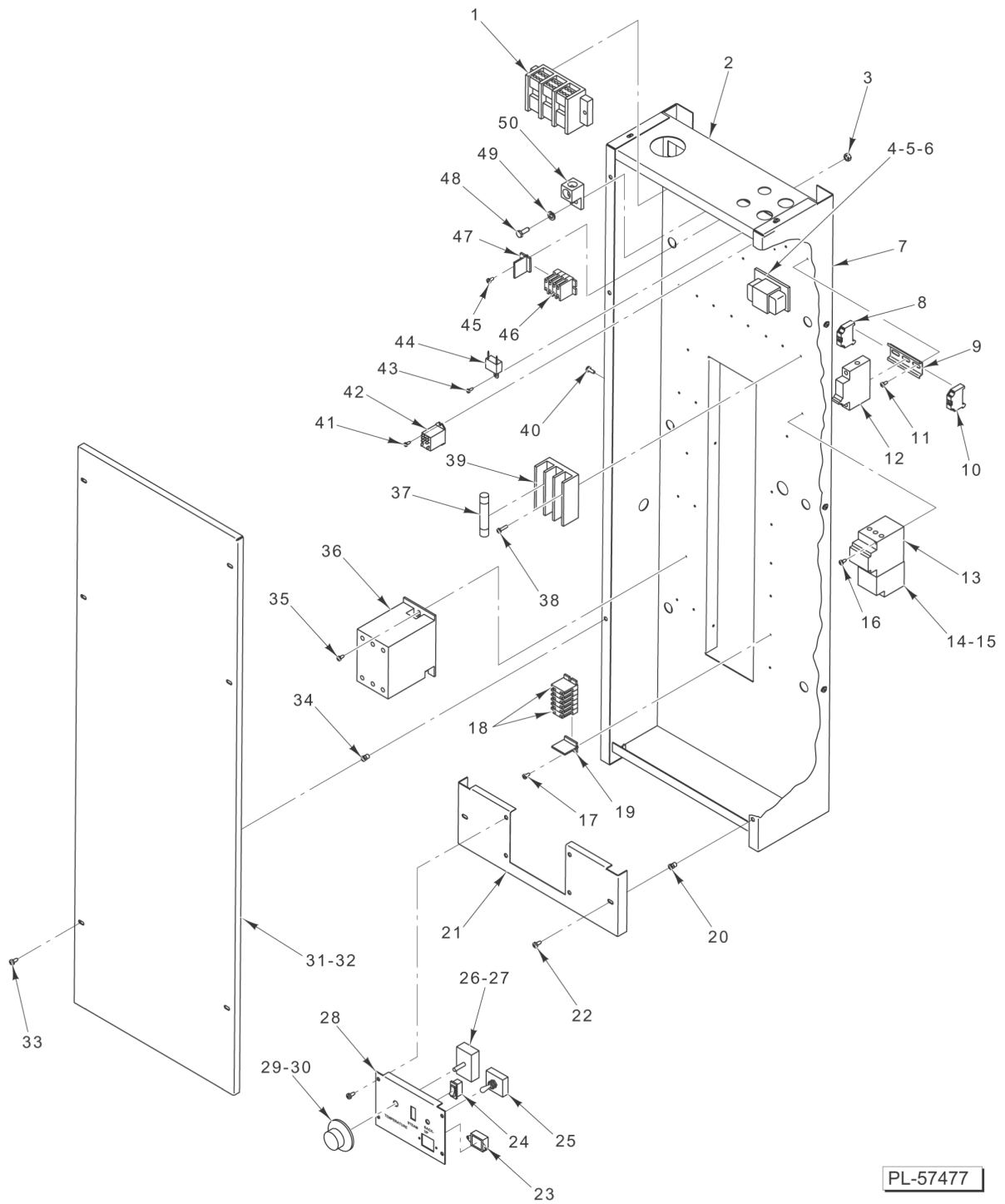
| ILLUS. PL-57472 | PART NO. | NAME OF PART | AMT. |
|--------------------|-----------------|---|------|
| 1 | | Self-Tapping Screw 6-32 x 3/8 Phil. Pan Hd., Type F..... | 3 |
| 2 | 01-1000V5-00096 | Block - Power Distribution..... | 1 |
| 3 | | Nut 1/4-20 Hex..... | 1 |
| 4 | 01-1000V6-00070 | Relay - D.P.D.T. (1/4 Hp., 120 VAC)..... | 1 |
| 5 | | Self-Tapping Screw 6-32 x 3/8 Phil. Pan Hd., Type F..... | 2 |
| 6 | 01-1000V6-00252 | End Stop - Din Rail..... | 1 |
| 7 | 01-100V18-00115 | Din Rail 9080-M H 3 In..... | 1 |
| 8 | 01-1000V6-00252 | End Stop - Din Rail..... | 1 |
| 9 | | Self-Tapping Screw 6-32 x 3/8 Phil. Pan Hd., Type F..... | 3 |
| 10 | 01-1000V6-00251 | Circuit Breaker (10 Amp.)..... | 2 |
| 11 | 01-1000V6-00231 | Contactor LC1D09 (50 Amp.)..... | 1 |
| 12 | 01-1000V6-00232 | Overload (4 - 6 Amp.)..... | 1 |
| 13 | 01-1000V6-00235 | Overload (1.2 - 2.5 Amp.) (440-480/50/60/3, 120/50/60/1)..... | 1 |
| 14 | | Self-Tapping Screw 8-32 x 3/4 Phil. Pan Hd., Type F..... | 2 |
| 15 | 01-1M5415-00002 | Back - Electric Box..... | 1 |
| 16 | 01-1M5416-00001 | Side - Electric Box..... | 2 |
| 17 | | Self-Tapping Screw 10-32 x 3/8 Phil. Truss Hd., Type F..... | 3 |
| 18 | 01-1000V4-00121 | Insert Threaded 10-32 Hex..... | 2 |
| 19 | | Mach. Screw 10-32 x 1/2 Phil. Truss Hd..... | 2 |
| 20 | 01-1M5418-00004 | Cover - Bottom Electric Box..... | 1 |
| *21 | | Thermostat 500 Deg. (108 In. Capillary) (Machines Built Before 8/25/06)..... | 1 |
| *22 | 01-1000V6-00265 | Thermostat - 500 Deg. (108 In. Capillary) (Machines Built On or After 8/25/06)..... | 1 |
| 23 | 01-1000V6-00220 | Switch - Toggle 4 PDT..... | 1 |
| 24 | 01-1000V6-00221 | Switch - MOM Transfer..... | 1 |
| 25 | 01-1000V6-00070 | Relay - D.P.D.T. (1/4 Hp., 120 VAC)..... | 1 |
| 26 | 01-100V18-00149 | Knob - Thermostat (Machines Built On or After 8/25/06)..... | 1 |
| 27 | 01-100V18-00173 | Knob - Thermostat..... | 1 |
| 28 | 01-1M5084-00001 | Plate - Back-Up Controls..... | 1 |
| 29 | 01-1M5418-00003 | Cover - Electric Box (Without Backup Controls)..... | 1 |
| 30 | 01-1M5090-00002 | Cover - Electric Box (With Backup Controls) (Shown)..... | 1 |
| 31 | | Mach. Screw 10-32 x 1/2 Phil. Truss Hd..... | 6 |
| 32 | 01-1000V5-00105 | Strip - Terminal..... | 6 |
| 33 | 01-1000V5-00106 | Strip End - Terminal..... | 1 |
| 34 | | Self-Tapping Screw 6-32 x 3/8 Phil. Pan Hd., Type F..... | 2 |
| 35 | 01-1000V4-00121 | Insert - Threaded 10-32 Hex..... | 6 |
| 36 | 01-1000V6-00185 | Contactor (60 Amp.)..... | 2 |
| 37 | | Self-Tapping Screw 6-32 x 3/8 Phil. Pan Hd., Type F..... | 2 |
| 38 | 01-100V10-00120 | Transformer (1/2 KVA)..... | 1 |
| 39 | 01-100V10-00119 | Transformer (1 KVA)..... | 1 |
| 40 | 01-1M2734-00001 | Plate - Transformer..... | 1 |
| 41 | | Self-Tapping Screw 8-32 x 3/4 Phil. Pan Hd., Type F..... | 6 |
| 42 | 01-100V10-00239 | Fuse (60 Amp., 600 V., Class G)..... | 9 |
| 43 | 01-100V10-00240 | Fuse - Block (60 Amp., 480 V.)..... | 3 |
| 44 | 01-1000V5-00105 | Strip - Terminal..... | 4 |
| 45 | 01-1000V5-00106 | Strip End - Terminal..... | 1 |
| 46 | | Self-Tapping Screw 6-32 x 3/8 Phil. Pan Hd., Type F..... | 2 |
| 47 | | Cap Screw 1/4-20 x 3/4 Hex Hd..... | 1 |
| 48 | | Lockwasher 1/4 Internal..... | 1 |
| 49 | 01-1000V5-00037 | Lug - Terminal..... | 1 |
| 50 | | Self-Tapping Screw 8-32 x 3/4 Phil. Pan Hd., Type F..... | 1 |
| 51 | 01-100V10-00242 | Filter - EMI..... | 1 |
| | 01-1M5083-00002 | Unit - Backup Controls (Incls. Items 23, 24, 25, & 28)..... | 1 |
| | 01-100V17-00259 | Plug - Pipe 3/8 NPT (Brass) (Without Backup Controls)..... | 1 |
| | 01-1M5598-00005 | Box Assy. - Component (208-240/50/60/3, 120/50/60/1)..... | 1 |
| | 01-1M5598-00006 | Box Assy. - Component (440-480/50/60/3, 120/50/60/1)..... | 1 |

COMPONENT BOX (ML-132361)

| ILLUS. | PART NO. | NAME OF PART | AMT. |
|----------|-----------------|--|------|
| PL-57472 | 01-1M5598-00007 | Box Assy. - Component (380/50/60/3, 208-240/50/60/1)..... | 1 |
| | 01-1M5598-00008 | Box Assy. - Component (200/50/60/3)..... | 1 |
| | 01-1M5083-00001 | Back-Up Control Unit (Incls. Items 4, 23, 24, 27, & 28) (Machines Built Before 8/25/06) | 1 |
| | 01-1M5828-00005 | Module - Electric (208-240 V.)..... | 1 |
| | 01-1M5828-00006 | Module - Electric (480-440 V.)..... | 1 |
| | 01-1000V6-00269 | Breaker - Circuit (3P., 35 Amp.)..... | 1 |
| | 01-1000V6-00266 | Breaker - Circuit (3P., 63 Amp.)..... | 1 |
| | 01-1M5946-00001 | Kit - Circuit Breaker..... | AR |

* (Order backup control unit 01-1M5083-00001 for thermostat replacement on machines built before 8/25/06.)

NOTES



COMPONENT BOX (ML-132355)

COMPONENT BOX (ML-132355)

| ILLUS. PL-57477 | PART NO. | NAME OF PART | AMT. |
|--------------------|-----------------|---|------|
| 1 | 01-1000V5-00063 | Block - Distribution (300 Amp.)..... | 1 |
| 2 | 01-1M5415-00001 | Back - Electric Box..... | 1 |
| 3 | | Nut 1/4-20 Hex..... | 1 |
| 4 | 01-100V10-00120 | Transformer (1/2 KVA)..... | 1 |
| 5 | 01-100V10-00119 | Transformer (1 KVA)..... | 1 |
| 6 | 01-1M2734-00001 | Plate - Transformer..... | 1 |
| 7 | 01-1M5416-00001 | Side - Electric Box..... | 2 |
| 8 | 01-1000V6-00252 | End Stop - Din Rail..... | 1 |
| 9 | 01-100V18-00115 | Din Rail 9080-M H 3 In..... | 1 |
| 10 | 01-1000V6-00252 | End Stop - Din Rail..... | 1 |
| 11 | | Self-Tapping Screw 8-32 x 3/4 Phil. Pan Hd., Type F..... | 3 |
| 12 | 01-1000V6-00251 | Circuit Breaker (10 Amp.)..... | 2 |
| 13 | 01-1000V6-00231 | Contacto LC1D09 (50 Amp.)..... | 1 |
| 14 | 01-1000V6-00232 | Overload (4 - 6 Amp.)..... | 1 |
| 15 | 01-1000V6-00235 | Overload (1.2 - 2.5 Amp.) (440-480/50/60/3, 120/50/60/1)..... | 1 |
| 16 | | Self-Tapping Screw 8-32 x 3/4 Phil. Pan Hd., Type F..... | 2 |
| 17 | | Self-Tapping Screw 6-32 x 3/8 Phil. Pan Hd., Type F..... | 2 |
| 18 | 01-1000V5-00105 | Strip - Terminal..... | 6 |
| 19 | 01-1000V5-00106 | Strip End - Terminal..... | 1 |
| 20 | 01-1000V4-00121 | Insert - Threaded 10-32 Hex..... | 2 |
| 21 | 01-1M5418-00002 | Cover - Bottom Electric Box..... | 1 |
| 22 | | Mach. Screw 10-32 x 1/2 Phil. Truss Hd..... | 2 |
| 23 | 01-1000V6-00070 | Relay - D.P.D.T. (1/4 Hp., 120 VAC)..... | 1 |
| 24 | 01-1000V6-00221 | Switch - MOM Transfer..... | 1 |
| 25 | 01-1000V6-00220 | Switch - Toggle 4 PDT..... | 1 |
| *26 | | Thermostat 500 Deg. (108 In. Capillary) (Machines Built Before 8/25/06)..... | 1 |
| 27 | 01-1000V6-00265 | Thermostat - 500 Deg. (108 In. Capillary) (Machines Built On or After 8/25/06)..... | 1 |
| *28 | 01-1M5418-00002 | Cover - Electric Component Box..... | 1 |
| 29 | 01-100V18-00149 | Knob - Thermostat (Machines Built On or After 8/25/06)..... | 1 |
| 30 | 01-100V18-00173 | Knob - Thermostat..... | 1 |
| 31 | 01-1M5418-00001 | Cover - Electric Box (Without Backup Controls)..... | 1 |
| 32 | 01-1M5090-00001 | Cover - Electric Box (With Backup Controls) (Shown)..... | 1 |
| 33 | | Mach. Screw 10-32 x 1/2 Phil. Truss Hd..... | 6 |
| 34 | 01-1000V4-00121 | Insert - Threaded 10-32 Hex..... | 6 |
| 35 | | Self-Tapping Screw 6-32 x 3/8 Phil. Pan Hd., Type F..... | 2 |
| 36 | 01-1000V6-00185 | Contacto (60 Amp.)..... | 3 |
| 37 | 01-100V10-00239 | Fuse (60 Amp., 600 V., Class G)..... | 12 |
| 38 | | Self-Tapping Screw 8-32 x 3/4 Phil. Pan Hd., Type F..... | 8 |
| 39 | 01-100V10-00240 | Fuse - Block (60 Amp., 480 V.)..... | 4 |
| 40 | | Self-Tapping Screw 10-32 x 3/8 Phil. Pan Hd., Type F..... | 3 |
| 41 | | Self-Tapping Screw 6-32 x 3/8 Phil. Pan Hd., Type F..... | 2 |
| 42 | 01-1000V6-00070 | Relay - D.P.D.T. (1/4 Hp., 120 VAC)..... | 1 |
| 43 | | Self-Tapping Screw 8-32 x 3/4 Phil. Pan Hd., Type F..... | 1 |
| 44 | 01-100V10-00242 | Filter - EMI..... | 1 |
| 45 | | Self-Tapping Screw 6-32 x 3/8 Phil. Pan Hd., Type F..... | 2 |
| 46 | 01-1000V5-00105 | Strip - Terminal..... | 4 |
| 47 | 01-1000V5-00106 | Strip End - Terminal..... | 1 |
| 48 | | Cap Screw 1/4-20 x 3/4 Hex..... | 1 |
| 49 | | Lockwasher 1/4 Internal..... | 1 |
| 50 | 01-1000V5-00101 | Lug - Grounding..... | 1 |
| | 01-100V17-00259 | Plug - Pipe 3/8 NPT (Brass) (Without Backup Controls)..... | 1 |
| | 01-1M5083-00002 | Unit - Backup Controls (Incls. Items 25, 26, 27, 29, & 32)..... | 1 |
| | 01-1M5598-00001 | Box Assy. - Component (208-240/50/60/3, 120/50/60/1)..... | 1 |
| | 01-1M5598-00002 | Box Assy. - Component (440-480/50/60/3, 120/50/60/1)..... | 1 |
| | 01-1M5598-00003 | Box Assy. - Component (380/50/60/3, 208-240/50/60/1)..... | 1 |

COMPONENT BOX (ML-132355)

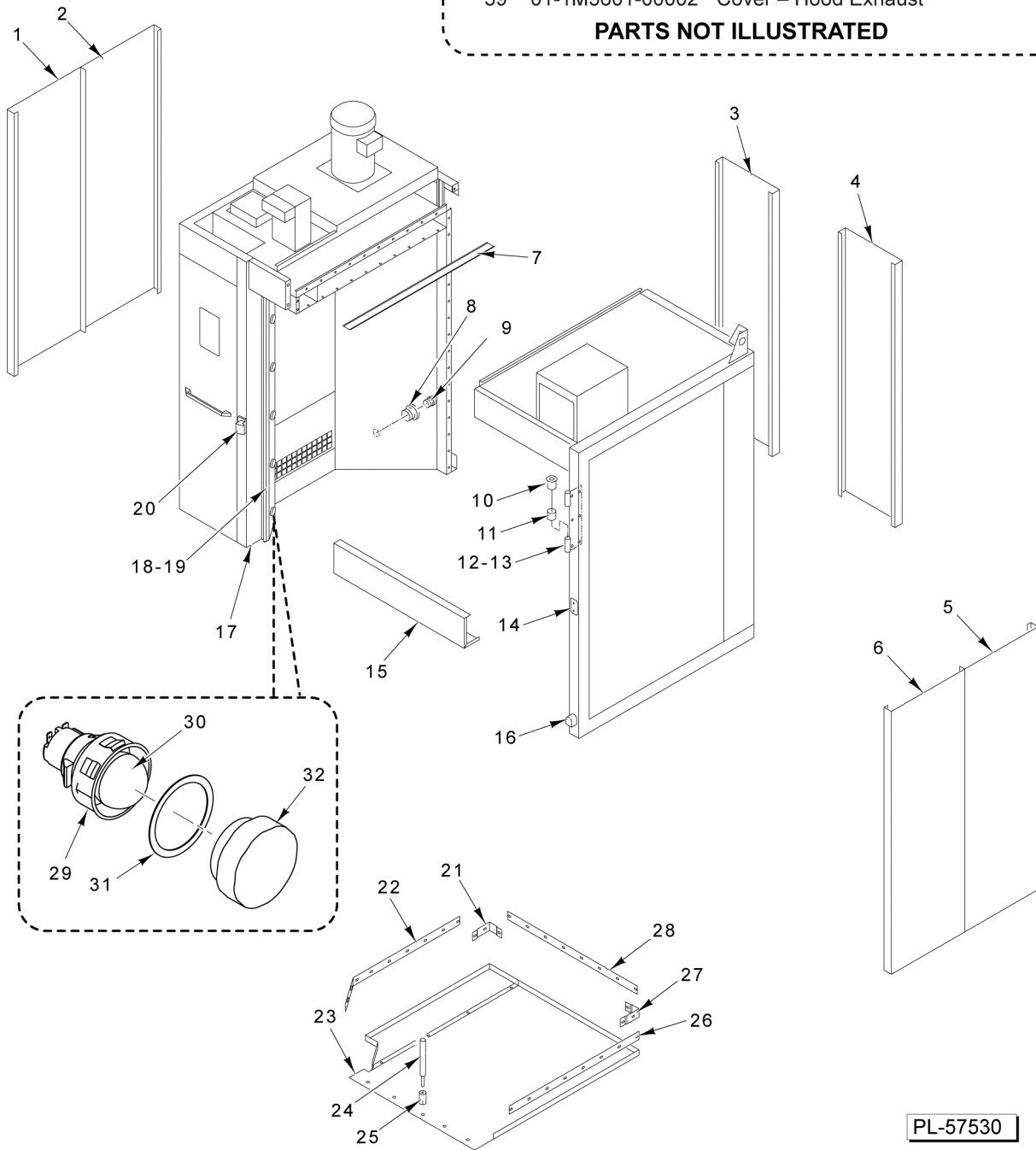
| ILLUS. | PART NO. | NAME OF PART | AMT. |
|----------|-----------------|--|------|
| PL-57477 | 01-1M5598-00004 | Box Assy. - Component (200/50/60/3)..... | 1 |
| | 01-1M5828-00001 | Module - Electric (208-240 V.) (Double Rack)..... | 1 |
| | 01-1M5828-00002 | Module - Electric (440-480 V.) (Single Rack)..... | 1 |
| | 01-1M5083-00001 | (Incls. Items 23, 24, 25, 27, & 30) (Machines Built Before 8/25/06)..... | 1 |
| | 01-1000V6-00269 | Breaker - Circuit (3P., 35 Amp.)..... | 1 |
| | 01-1000V6-00266 | Breaker - Circuit (3P., 63 Amp.)..... | 1 |
| | 01-1M5946-00001 | Kit - Circuit Breaker..... | AR |

* (Order backup control unit 01-1M5083-00001 for thermostat replacement on machines built before 8/25/06.)

NOTES

- | | | |
|----|-----------------|---------------------------------|
| 33 | 01-1000V4-00074 | Mach. Screw 1/4-20 x 3 Flat Hd. |
| 34 | 01-1M2346-00001 | Collar – Door Switch |
| 35 | 01-1M5600-00001 | Bracket – Hi-Limit |
| 36 | 01-1000V6-00118 | Thermostat – Hi-Limit |
| 37 | 01-1M5525-00002 | Box – Junction Electric Assy. |
| 38 | 01-1M5515-00001 | Thermocouple Assy. – Conduit |
| 39 | 01-1M5601-00002 | Cover – Hood Exhaust |

PARTS NOT ILLUSTRATED



**CABINET
(ML-132361)
(BEFORE 8/1/05)**

PL-57530

**CABINET
(ML-132361)
(BEFORE 8/1/05)**

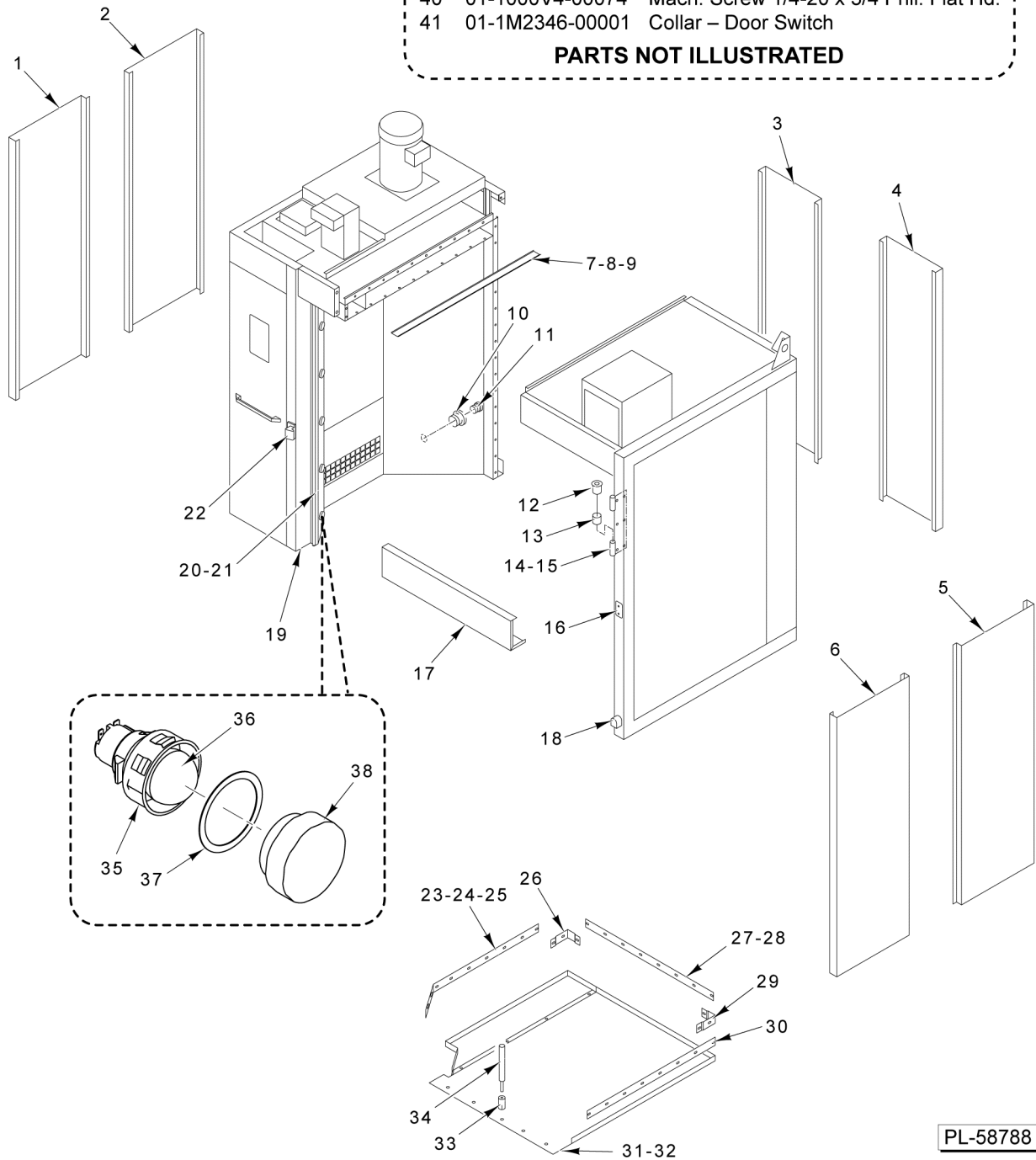
| ILLUS. | PART NO. | NAME OF PART | AMT. |
|----------|-----------------|--|------|
| PL-57530 | | | |
| 1 | 01-1M2120-00010 | Skin - Outer..... | 1 |
| 2 | 01-1M2120-00009 | Skin - Outer..... | 2 |
| 3 | 01-1M2120-00009 | Skin - Outer..... | 1 |
| 4 | 01-1M2120-00010 | Skin - Outer..... | 1 |
| 5 | 01-1M2120-00009 | Skin - Outer..... | 2 |
| 6 | 01-1M2120-00010 | Skin - Outer..... | 1 |
| *7 | 01-100V21-00056 | Tape - Fiberglass..... | AR |
| 8 | 01-100V17-00266 | Bushing 3/8 NPT x 3/4 NPT (Brass)..... | 1 |
| 9 | 01-100V17-00259 | Plug - Pipe 3/8 NPT (Brass)..... | 1 |
| 10 | 01-1000V0-00038 | Bearing - Journal (Nylon)..... | 4 |
| 11 | 01-1000V0-00031 | Bearing - (Nylon) (W/Shoulder)..... | 4 |
| **12 | 01-1M5918-00001 | Hinge - Door (Female) (Machines Built Before 2/01/07)..... | 2 |
| **13 | 01-1M5918-00002 | Hinge Assy. - Door (Machines Built On or After 2/01/07)..... | 1 |
| 14 | 01-1M1711-00003 | Plate - Front Cover..... | 1 |
| 15 | 01-1M5430-00001 | Skin - Outer Header..... | 1 |
| 16 | 01-100V17-00301 | Ell 2-1/2 x 45 Deg. Blk..... | 1 |
| 17 | 01-1M2335-00001 | Wheel (For Installation)..... | 1 |
| 18 | 01-1M5289-00003 | Gasket - Loading Door (Top)..... | 1 |
| 19 | 01-1M5289-00001 | Gasket - Loading Door (Side)..... | 2 |
| 20 | 01-100V18-0120A | Strike - Chrome Plated..... | 1 |
| 21 | 01-1M2071-00002 | Joint - Corner Floor Trim..... | AR |
| 22 | 01-1M2072-00004 | Trim - Floor (38 In.)..... | 1 |
| 23 | 01-1M2086-00001 | Floor..... | 1 |
| 24 | 01-1000V4-0073A | Tool - Setting..... | 1 |
| 25 | 01-1000V4-00073 | Anchor - Drop-In 1/4-20..... | 9 |
| 26 | 01-1M2072-00002 | Trim - Floor (36 In.)..... | 1 |
| 27 | 01-1M2071-00001 | Joint - Corner Floor Trim..... | AR |
| 28 | 01-1M2072-00001 | Trim - Floor (31 In.) (Machines Built Before 11/01/07)..... | 1 |
| 29 | 01-1000V7-00027 | Lamp - Oven (Complete) (Lens, Base, & Bulb)..... | 5 |
| 30 | 01-1000V7-00028 | Bulb..... | AR |
| 31 | 01-1000V7-0027G | Gasket..... | AR |
| 32 | 01-1000V7-0027L | Lens - Glass..... | AR |
| 33 | 01-1000V4-00074 | Mach. Screw 1/4-20 x 3/4 Phil. Flat Hd..... | 4 |
| 34 | 01-1M2346-00001 | Collar - Door Switch..... | 1 |
| 35 | 01-1M5600-00001 | Bracket - Hi-Limit..... | 1 |
| 36 | 01-1000V6-00118 | Thermostat - High Limit (550 Deg.)..... | 1 |
| 37 | 01-1M5525-00002 | Box - Junction Electric Assy..... | 1 |
| 38 | 01-1M5515-00001 | Thermocouple Assy. - Conduit..... | 1 |
| 39 | 01-1M5601-00002 | Cover - Hood Exhaust..... | 1 |

* (Sold Per Foot.)

** (Machines built before 2/01/07 must order both items 12 & 13.)

- 39 00-913135-00002 Gasket
- 40 01-1000V4-00074 Mach. Screw 1/4-20 x 3/4 Phil. Flat Hd.
- 41 01-1M2346-00001 Collar – Door Switch

PARTS NOT ILLUSTRATED



**CABINET
(ML-132361)
(ON OR AFTER 8/1/05)**

**CABINET
(ML-132361)
(ON OR AFTER 8/1/05)**

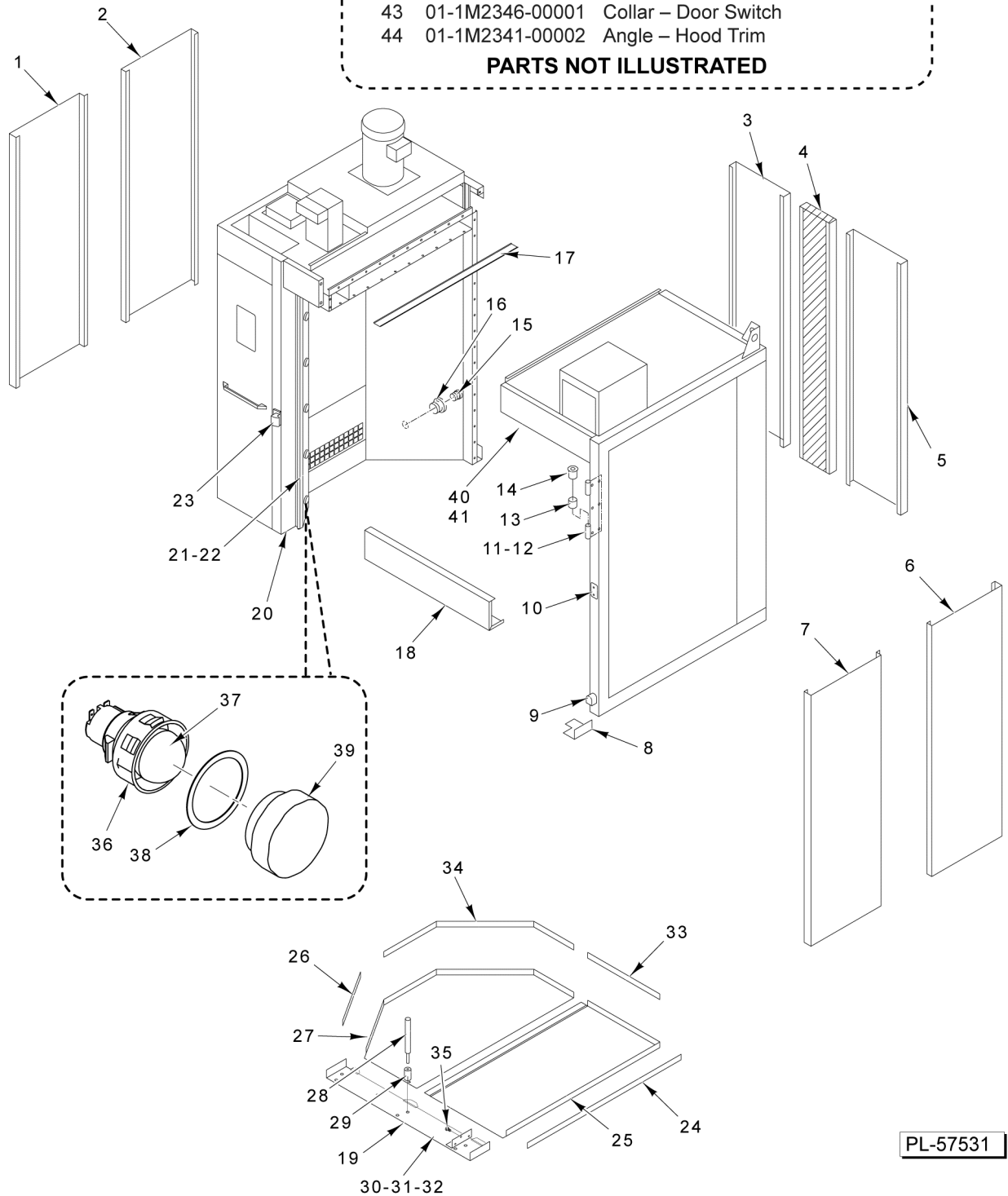
| ILLUS. PL-58788 | PART NO. | NAME OF PART | AMT. |
|--------------------|-----------------|--|------|
| 1 | 01-1M5672-00002 | Skin - Outer..... | 1 |
| 2 | 01-1M5672-00001 | Skin - Outer..... | 1 |
| 3 | 01-1M5672-00002 | Skin - Outer..... | 1 |
| 4 | 01-1M5672-00001 | Skin - Outer..... | 1 |
| 5 | 01-1M5672-00002 | Skin - Outer..... | 1 |
| 6 | 01-1M5672-00001 | Skin - Outer..... | 1 |
| *7 | 01-100V21-00056 | Tape - Fiberglass..... | AR |
| 8 | 01-1000V4-00283 | Mach. Screw 1/4-20 x 3/4 Hex Washer Hd. (SST)..... | AR |
| 9 | 01-1000V4-00284 | Screw 10-32 x 3/4 Hex Washer Hd., Serrated Flange (SST)..... | AR |
| 10 | 01-100V17-00266 | Bushing 3/8 NPT x 3/4 NPT (Brass)..... | 1 |
| 11 | 01-100V17-00259 | Plug - Pipe 3/8 NPT (Brass)..... | 1 |
| 12 | 01-1000V0-00038 | Bearing - Journal (Nylon)..... | 4 |
| 13 | 01-1000V0-00031 | Bearing - (Nylon) (W/Shoulder)..... | 4 |
| **14 | 01-1M5918-00001 | Hinge - Door (Female)..... | 2 |
| **15 | 01-1M5918-00002 | Hinge Assy. - Door..... | 2 |
| 16 | 01-1M1711-00003 | Plate - Front Cover..... | 1 |
| 17 | 01-1M5430-00001 | Skin - Outer Header..... | 1 |
| 18 | 01-100V17-00301 | Ell 2-1/2 x 45 Deg. Blk..... | 1 |
| 19 | 01-1M2335-00001 | Wheel (For Installation)..... | 1 |
| 20 | 01-1M5289-00003 | Gasket - Loading Door (Top)..... | 1 |
| 21 | 01-1M5289-00001 | Gasket - Loading Door (Side)..... | 2 |
| 22 | 01-100V18-0120A | Strike - Chrome Plated..... | 1 |
| 23 | 01-1M5872-00001 | Floor Trim Kit (Machines Built On or After 11/01/07)..... | 1 |
| 24 | 01-1M2073-00004 | Body - Floor Trim (Machines Built Before 11/01/07)..... | 1 |
| 25 | 01-1M2071-00102 | Body - Joiner Corner (Machines Built Before 11/01/07)..... | 1 |
| 26 | 01-1M5872-00001 | Floor Trim Kit (Machines Built On or After 11/01/07)..... | 1 |
| 27 | 01-1M5872-00102 | Trim - Floor Rear (Machines Built On or After 11/01/07)..... | 1 |
| 28 | 01-1M5872-00001 | Floor Trim Kit (Machines Built On or After 11/01/07)..... | 1 |
| 29 | 01-1M5872-00001 | Floor Trim Kit (Machines Built On or After 11/01/07)..... | 1 |
| 30 | 01-1M5872-00001 | Floor Trim Kit (Machines Built On or After 11/01/07)..... | 1 |
| 31 | 01-1M2086-00001 | Floor..... | 1 |
| 32 | 01-1M5869-00001 | Floor - Single (Machines Built On or After 11/01/07)..... | 1 |
| 33 | 01-1000V4-00073 | Anchor - Drop-In 1/4-20..... | 9 |
| 34 | 01-1000V4-0073A | Tool - Setting..... | 1 |
| 35 | 01-1000V7-00027 | Lamp - Oven (Complete) (Lens, Base, & Bulb)..... | 5 |
| 36 | 01-1000V7-00028 | Bulb..... | AR |
| 37 | 01-1000V7-0027G | Gasket..... | AR |
| 38 | 01-1000V7-0027L | Lens - Glass..... | AR |
| *39 | 00-913135-00002 | Gasket - Red Silicone (Use With Floor Trim)..... | AR |
| 40 | 01-1000V4-00074 | Mach. Screw 1/4-20 x 3/4 Phil. Flat Hd..... | 4 |
| 41 | 01-1M2346-00001 | Collar - Door Switch..... | 1 |

* (Sold Per Foot.)

** (Machines built before 2/01/07 must order items 14 & 15.)

- 42 01-1000V4-00074 Mach. Screw 1/4-20 x 3 Flat Hd.
- 43 01-1M2346-00001 Collar – Door Switch
- 44 01-1M2341-00002 Angle – Hood Trim

PARTS NOT ILLUSTRATED



PL-57531

**CABINET
(ML-132355)
(BEFORE 8/1/05)**

**CABINET
(ML-132355)
(BEFORE 8/1/05)**

| ILLUS. PL-57531 | PART NO. | NAME OF PART | AMT. |
|--------------------|-----------------|--|------|
| 1 | 01-1M2120-00011 | Skin - Outer (Non-Symmetrical Flanges)..... | 1 |
| 2 | 01-1M2120-00012 | Skin - Outer (Symmetrical Flanges)..... | 1 |
| 3 | 01-1M5267-00001 | Skin - Outer Drain..... | 1 |
| 4 | 01-1M2192-00003 | Panel - Outer Wall..... | 1 |
| 5 | 01-1M2120-00004 | Skin - Outer..... | 1 |
| 6 | 01-1M2120-00012 | Skin - Outer (Symmetrical Flanges)..... | 1 |
| 7 | 01-1M2120-00011 | Skin - Outer (Non-Symmetrical Flanges)..... | 1 |
| 8 | 01-1M5285-00001 | Jamb - Stop..... | 1 |
| 9 | 01-100V17-00301 | Ell 2-1/2 x 45 Deg. Blk..... | 1 |
| 10 | 01-1M1711-00003 | Plate - Front Cover..... | 1 |
| *11 | 01-1M5918-00001 | Hinge - Door (Female)..... | 2 |
| *12 | 01-1M5918-00002 | Hinge Assy. - Door..... | 2 |
| 13 | 01-1000V0-00031 | Bearing - (Nylon) (W/Shoulder)..... | 4 |
| 14 | 01-1000V0-00038 | Bearing - Journal (Nylon)..... | 4 |
| 15 | 01-100V17-00259 | Plug - Pipe 3/8 NPT (Brass)..... | 1 |
| 16 | 01-100V17-00266 | Bushing 3/8 NPT x 3/4 NPT (Brass)..... | 1 |
| **17 | 01-100V21-00056 | Tape - Fiberglass..... | AR |
| 18 | 01-1M5030-00001 | Skin - Outer Header..... | 1 |
| 19 | 01-1M5610-00002 | Kit - Threshold Installation (Incls. Items 28 thru 32 & 35)..... | 1 |
| 20 | 01-1M2335-00001 | Wheel (For Installation)..... | 1 |
| 21 | 01-1M5289-00002 | Gasket - Loading Door 50 In. (Top)..... | 1 |
| 22 | 01-1M5289-00001 | Gasket - Loading Door 83 In. (Side)..... | 2 |
| 23 | 01-100V18-0120A | Strike - Chrome Plated..... | 1 |
| 24 | 01-1M2072-00003 | Trim - Floor (46 In.)..... | 1 |
| 25 | 01-1M5564-00002 | Skin - Floor (RH)..... | 1 |
| 26 | 01-1M5004-00003 | Trim - Floor..... | 1 |
| 27 | 01-1M5564-00001 | Skin - Floor (LH)..... | 1 |
| 28 | 01-1000V4-0073A | Tool - Setting..... | 1 |
| 29 | 01-1000V4-00073 | Anchor - Drop-In 1/4-20..... | 9 |
| 30 | | Screw 1/4-20 x 1/2 or 1 (As Needed)..... | AR |
| 31 | 01-1M5610-00201 | Shim - Jamb Plate..... | AR |
| 32 | 01-1M5570-00001 | Threshold Weldment..... | 1 |
| 33 | 01-1M5004-00001 | Trim - Floor..... | 1 |
| 34 | 01-1M5004-00002 | Trim - Floor..... | 1 |
| 35 | | Screw 10-32 Phil. Hd. (SST)..... | 6 |
| 36 | 01-1000V7-00027 | Lamp - Oven (Complete) (Lens, Base, & Bulb)..... | 5 |
| 37 | 01-1000V7-00028 | Bulb..... | AR |
| 38 | 01-1000V7-0027G | Gasket..... | AR |
| 39 | 01-1000V7-0027L | Lens - Glass..... | AR |
| 40 | 01-1M2211-00002 | Skin - Ceiling..... | 1 |
| 41 | 01-1M2131-00007 | Top - False (Ceiling)..... | 1 |
| 42 | 01-1000V4-00074 | Mach. Screw 1/4-20 x 3/4 Phil. Flat Hd..... | 4 |
| 43 | 01-1M2346-00001 | Collar - Door Switch..... | 1 |
| 44 | 01-1M2341-00002 | Angle - Hood Trim..... | 1 |
| | 01-100V21-00073 | Gasket - Red Silicone..... | AR |

* (Machines built before 2/01/07 must order items 11 & 12.)

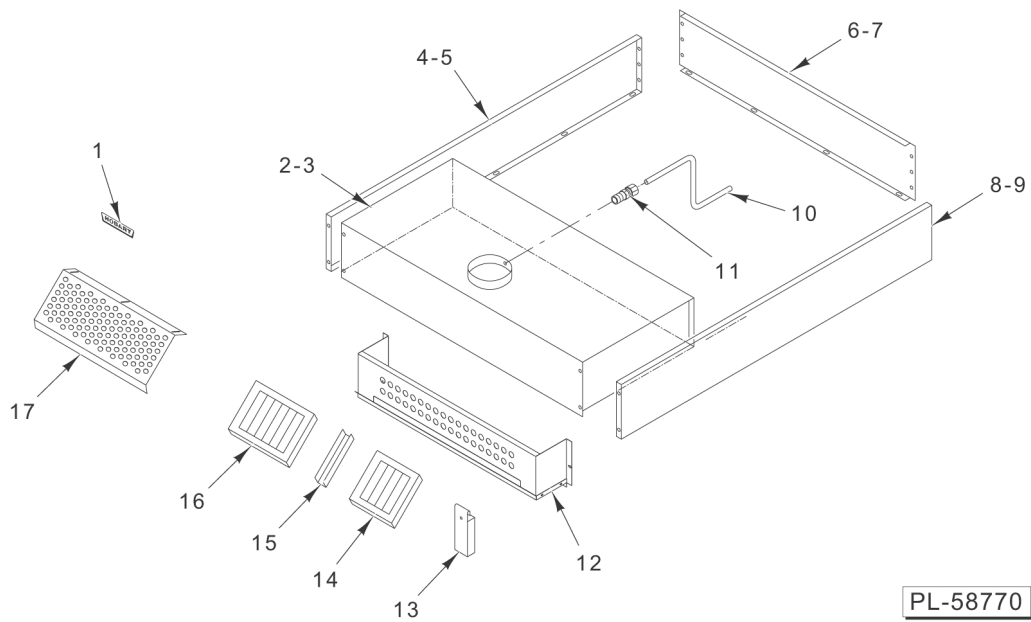
** (Sold Per Foot)

CABINET
(ML-132355)
(ON OR AFTER 8/1/05)

| ILLUS. | PART NO. | NAME OF PART | AMT. |
|----------|-----------------|---|------|
| PL-58789 | | | |
| 1 | 01-1M5672-00003 | Skin - Outer (Non-Symmetrical Flanges) (31 In.)..... | 1 |
| 2 | 01-1M5672-00001 | Skin - Outer (Symmetrical Flanges) (20 In.)..... | 1 |
| 3 | 01-1M5672-00004 | Skin - Outer Drain..... | 1 |
| 4 | 01-1M5672-00105 | Panel - Outer Wall Split..... | 1 |
| 5 | 01-1M5672-00002 | Skin - Outer Split..... | 1 |
| 6 | 01-1M5672-00001 | Skin - Outer (Symmetrical Flanges) (31 In.)..... | 1 |
| 7 | 01-1M5672-00003 | Skin - Outer (Non-Symmetrical Flanges) (20 In.)..... | 1 |
| *8 | 01-100V21-00056 | Tape - Fiberglass..... | AR |
| 9 | 01-1000V4-00283 | Mach. Screw 1/4-20 x 3/4 Hex Washer Hd. (SST)..... | AR |
| 10 | 01-1000V4-00284 | Screw 10-32 x 3/4 Hex Washer Hd., Serrated Flange (SST)..... | AR |
| 11 | 01-100V17-00266 | Bushing 3/8 NPT x 3/4 NPT (Brass)..... | 1 |
| 12 | 01-100V17-00259 | Plug - Pipe 3/8 NPT (Brass)..... | 1 |
| 13 | 01-1000V0-00038 | Bearing - Journal (Nylon)..... | 4 |
| 14 | 01-1000V0-00031 | Bearing - (Nylon) (W/Shoulder)..... | 4 |
| **15 | 01-1M5918-00001 | Hinge - Door (Female) (Machines Built On or After 12/01/07)..... | 2 |
| **16 | 01-1M5918-00002 | Hinge Assy. - Door (Machines Built On or After 12/01/07)..... | 2 |
| 17 | 01-1M1711-00003 | Plate - Front Cover..... | 1 |
| 18 | 01-1M5030-00001 | Skin - Outer Header..... | 1 |
| 19 | 01-1M5004-00001 | Trim - Floor..... | 1 |
| 20 | 01-1M2335-00001 | Wheel (For Installation)..... | 1 |
| 21 | 01-1M5289-00002 | Gasket - Loading Door 50 In. (Top)..... | 1 |
| 22 | 01-1M5289-00001 | Gasket - Loading Door 83 In. (Side)..... | 2 |
| 23 | 01-100V18-0120A | Strike - Chrome Plated..... | 1 |
| 24 | 01-100V17-00301 | Eil 2-1/2 x 45 Deg. Blk..... | 1 |
| 25 | 01-1M5285-00001 | Jamb - Stop..... | 1 |
| 26 | 01-1M2071-00003 | | 1 |
| 27 | 01-1M2072-00003 | Trim - Floor (46 In.)..... | 1 |
| 28 | 01-1M5564-00002 | Skin - Floor (RH) (Machines Built Before 12/01/07)..... | 1 |
| 29 | 01-1M5928-00202 | Skin - Floor (RH) (Machines Built On or After 12/01/07)..... | 1 |
| 30 | | Screw 10-32 Phil. Hd. (SST)..... | 6 |
| 31 | | Screw 1/4-20 x 1/2 or 1 (As Needed)..... | AR |
| 32 | 01-1M5610-00201 | Shim - Jamb Plate..... | AR |
| 33 | 01-1M5570-00001 | Threshold Weldment..... | 1 |
| 34 | 01-1000V4-00073 | Anchor - Drop-In 1/4-20..... | 9 |
| 35 | 01-1000V4-0073A | Tool - Setting..... | 1 |
| 36 | 01-1M5564-00001 | Skin - Floor (LH) (Machines Built Before 12/01/07)..... | 1 |
| 37 | 01-1M5928-00201 | Skin - Floor (LH) (Machines Built On or After 12/01/07)..... | 1 |
| 38 | 01-1M5004-00003 | Trim - Floor..... | 1 |
| 39 | 01-1M5004-00002 | Trim - Floor..... | 1 |
| 40 | 01-1000V7-00027 | Lamp - Oven (Complete) (Lens, Base, & Bulb)..... | 5 |
| 41 | 01-1000V7-00028 | Bulb..... | AR |
| 42 | 01-1000V7-0027G | Gasket..... | AR |
| 43 | 01-1000V7-0027L | Lens - Glass..... | AR |
| 44 | 01-1M5610-00002 | Kit - Threshold Installation (Incls. Items 30 thru 35) (Machines Built Before 12/02/04) | 1 |
| 45 | 01-1M2211-00002 | Skin - Ceiling..... | 1 |
| 46 | 01-1M2131-00007 | Top - False (Ceiling)..... | 1 |
| 47 | 01-1000V4-00074 | Mach. Screw 1/4-20 x 3/4 Phil. Flat Hd..... | 4 |
| 48 | 01-1M2346-00001 | Collar - Door Switch..... | 1 |
| 49 | 01-1M2341-00002 | Angle - Hood Trim..... | 1 |
| 50 | 01-1M5152-00001 | Hardware Package - Double..... | 1 |
| 51 | 01-1M5152-00002 | Hardware Package - Security..... | 1 |
| 52 | 01-1M5152-00003 | Hardware Package - Single Split..... | 1 |
| 53 | 01-1M5152-00004 | Hardware Package - Single Whole..... | 1 |
| 54 | 01-1M6242-0002B | Insulation Kit - Double Split..... | 1 |
| 55 | 01-1M6242-00001 | Kit - Insulation..... | 1 |

* (Sold Per Foot)

** (Machines built before 2/01/07 must order items 15 & 16.)

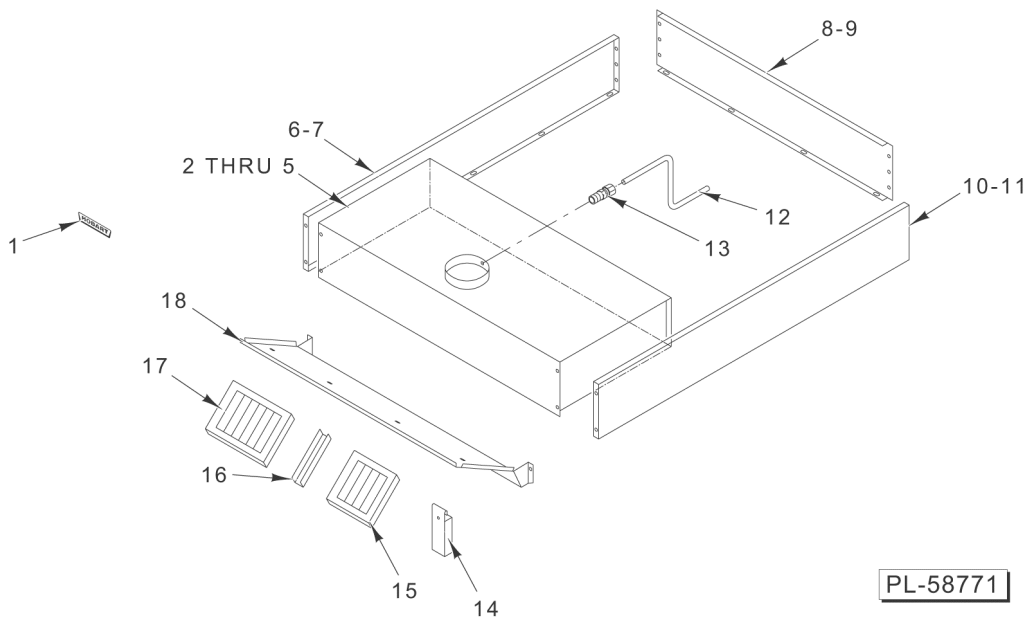


HOOD (ML-132361)

HOOD (ML-132361)

| ILLUS. | PART NO. | NAME OF PART | AMT. |
|----------|-----------------|--|------|
| PL-58770 | | | |
| 1 | 01-100V16-00531 | Logo - Hood..... | 1 |
| 2 | 01-1M5485-00001 | Hood Assy. Type I (Incls. Items 12, 14, 15, & 16)..... | 1 |
| 3 | 01-1M5485-00002 | Hood Assy. Type II (Incls. Items 12 & 17)..... | 1 |
| 4 | 01-1M5351-00001 | Trim - Side (Machines Built Before 05/01/07)..... | 1 |
| 5 | 01-1M5945-00101 | Trim - Side Hood Single (Machines Built On or After 05/01/07)..... | 1 |
| 6 | 01-1M5352-00001 | Trim - Rear (Machines Built Before 05/01/07)..... | 1 |
| 7 | 01-1M5945-00102 | Trim - Rear Hood Single (Machines Built On or After 05/01/07)..... | 1 |
| 8 | 01-1M5351-00001 | Trim - Side (Machines Built Before 05/01/07)..... | 1 |
| 9 | 01-1M5945-00101 | Trim - Side Hood (Machines Built On or After 05/01/07)..... | 1 |
| *10 | 01-100V17-00004 | Tube 1/4 O.D. x 72 In. Lg. (Alum.)..... | 1 |
| 11 | FP-078-49 | Fitting - Tube (1/4 In.) (Brass)..... | 1 |
| 12 | 01-1M5489-00001 | Baffle - Hood Assy..... | 1 |
| 13 | 01-1M3032-00001 | Cup - Hood Grease..... | 1 |
| 14 | 01-100V18-00089 | Filter - Hood 16 x 20 With Drop (Type I Hood)..... | 1 |
| 15 | 01-1M2247-00001 | Filler - Filter (Type I Hood)..... | 1 |
| 16 | 01-100V18-00088 | Filter - Hood 16 x 16 With Drop (Type I Hood)..... | 2 |
| 17 | 01-1M5492-00001 | Panel - Baffle (Type II Hood)..... | 1 |
| | 01-1M5601-00002 | Cover - Hood Exhaust..... | 1 |
| | 01-1M6307-00001 | Kit - Hood Drip Single Rack..... | 1 |

* Sold Per Inch.

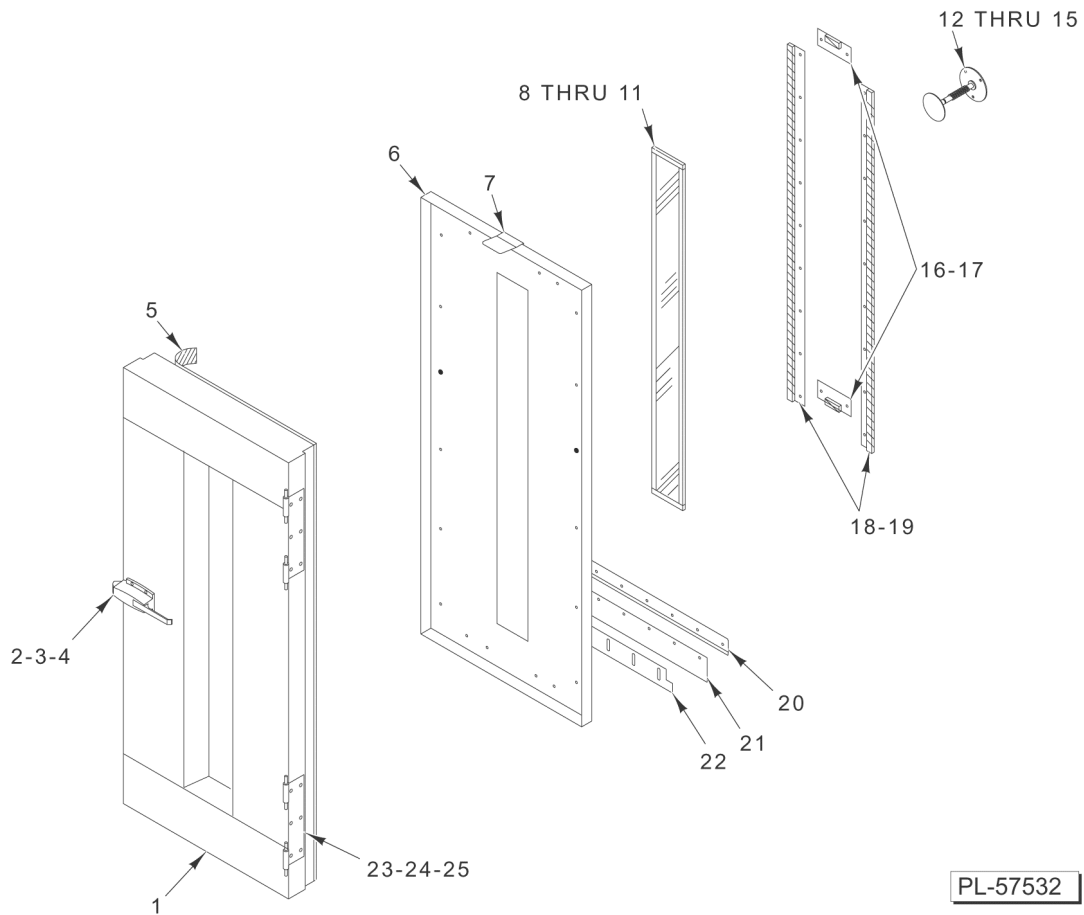


HOOD (ML-132355)

HOOD (ML-132355)

| ILLUS. PL-58771 | PART NO. | NAME OF PART | AMT. |
|--------------------|---------------------------|---|------|
| 1 | 01-100V16-00531 | Logo - Hood..... | 1 |
| 2 | 01-1M5690-00001 | Hood Assy. Type I (Incls. Items 10,12,13, & 15 thru 18)(Machines Built Before 8/03/05) | 1 |
| 3 | 01-1M5136-00002 | Hood Assy. Type II (Incls. Items 1, 5, 6, 8, 10, 18, & 16)..... | 1 |
| 4 | 01-1M5690-00003 | Hood Assy. Type I (Machines Built On or After 8/03/05)..... | 1 |
| 5 | 01-1M5147-00002 | Panel - Plenum (Type II Hood)..... | 2 |
| 6 | 01-1M5351-00002 | Trim - Side (Machines Built Before 5/01/07)..... | 1 |
| 7 | 01-1M5945-00201 | Trim - Side (Machines Built On or After 5/01/07)..... | 1 |
| 8 | 01-1M5352-00002 | Trim - Rear (Machines Built Before 5/01/07)..... | 1 |
| 9 | 01-1M5945-00202 | Trim - Rear (Machines Built On or After 5/01/07)..... | 1 |
| 10 | 01-1M5351-00002 | Trim - Side (Machines Built Before 5/01/07)..... | 1 |
| 11 | 01-1M5945-00201 | Trim - Side (Machines Built On or After 5/01/07)..... | 1 |
| *12 | 01-100V17-00004 | Tube 1/4 O.D. x 72 In. Lg. (Alum.)..... | 1 |
| 13 | FP-078-49 | Fitting - Tube 1/4 (Brass)..... | 1 |
| 14 | 01-1M3032-00001 | Cup - Hood Grease..... | 1 |
| 15 | 01-100V18-00089 | Filter - Hood 16 x 20 With Drop (Type I Hood)..... | 1 |
| 16 | 01-1M2247-00002 | Filter - Filter..... | 1 |
| 17 | 01-100V18-00088 | Filter - Hood 16 x 16 With Drop (Type I Hood)..... | 3 |
| 18 | 01-1M5140-00002 | Deflector - Air..... | 1 |
| | 01-1M5685-00001 | Cover - Exhaust Hood..... | 1 |
| | 01-1M6307-00002 | Kit - Hood Drip Double Rack..... | AR |

* Sold Per Inch.



PL-57532

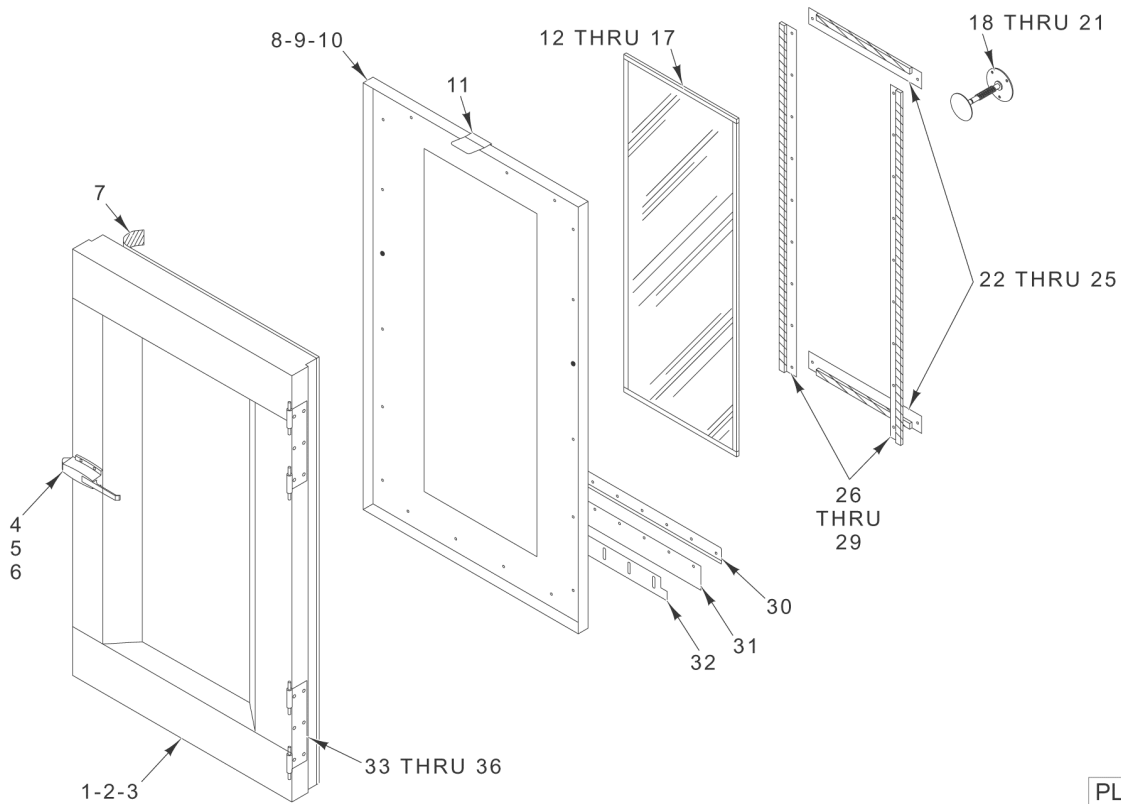
LOADING DOOR (ML-132361)

LOADING DOOR (ML-132361)

| ILLUS. PL-57532 | PART NO. | NAME OF PART | AMT. |
|--------------------|-----------------|--|------|
| 1 | 01-1M2133-00001 | Weldment - Door..... | 1 |
| 2 | 01-100V18-0120B | Handle - Chrome Plated (Order With item 3)..... | 1 |
| 3 | 01-100V16-00259 | Label - Warning..... | 1 |
| 4 | 01-1M5910-00001 | Spacer - Door Handle..... | 1 |
| 5 | 01-100V21-00065 | Tape - Fiberglass (1/8 x 1) (Sold per Foot)..... | 18 |
| 6 | 01-1M2135-00001 | Skin - Inner Door..... | 1 |
| 7 | 01-1M2254-00001 | Guide - Door Switch Actuator..... | 1 |
| 8 | 01-1M4171-00002 | Window Glass Assy. (Incls. Items 9, 10, & 11)..... | 1 |
| 9 | 01-100V16-0102C | Glass - Tempered 1/4 In. Thick..... | 1 |
| 10 | 00-513886-00003 | Sealer (Clear)..... | AR |
| *11 | 01-100V21-00060 | Gasket - Silicone (Sold Per Ft.)..... | 12 |
| 12 | 01-1M1435-00002 | Handle - Interior Door (Incls. Items 13, 14, & 15)..... | 1 |
| 13 | 01-100V20-00010 | Spring - Compression 7/16 O.D..... | 1 |
| 14 | 01-1M1761-0001C | Plate - Interior Door Handle..... | 1 |
| 15 | 01-1000V1-00036 | Ring - Retaining 7/16 In. (Zinc)..... | 1 |
| 16 | 01-1M2937-00002 | Retainer - Window (Horizontal)..... | 2 |
| **17 | 01-100V21-0039A | Tape - Silicone (1/8 x 3/4)..... | 10 |
| 18 | 01-1M2937-00001 | Retainer - Window (Vertical)..... | 2 |
| **19 | 01-100V21-0039A | Tape - Silicone (1/8 x 3/4)..... | 62 |
| 20 | 01-1M2255-00001 | Clamp - Floor Sweep..... | 1 |
| 21 | 01-1M2778-00001 | Strip - Silicone Floor Seal..... | 1 |
| 22 | 01-1M2769-00001 | Support - Floor Seal..... | 1 |
| 25 | 01-1M5918-00201 | Pin - Hinge Loading Door..... | 2 |
| | 01-1000V4-00067 | Speed Nut..... | 26 |
| | 01-1000V4-00074 | Mach. Screw 1/4-20 x 3/4 Phil. Flat Hd..... | 16 |
| | 01-1A2876-00101 | Channel - Safety Bar..... | 5 |
| | 01-1M5551-00004 | Door - Loading With Grid (Packaged)..... | 1 |
| | 01-1M5551-00001 | Door - Loading (Packaged - Domestic) (Incls. Items 1 thru 25)..... | 1 |
| | 01-1M2469-00008 | Door - Loading (Packaged - Export)..... | 1 |

* Sold Per Foot.

** Sold Per Inch.



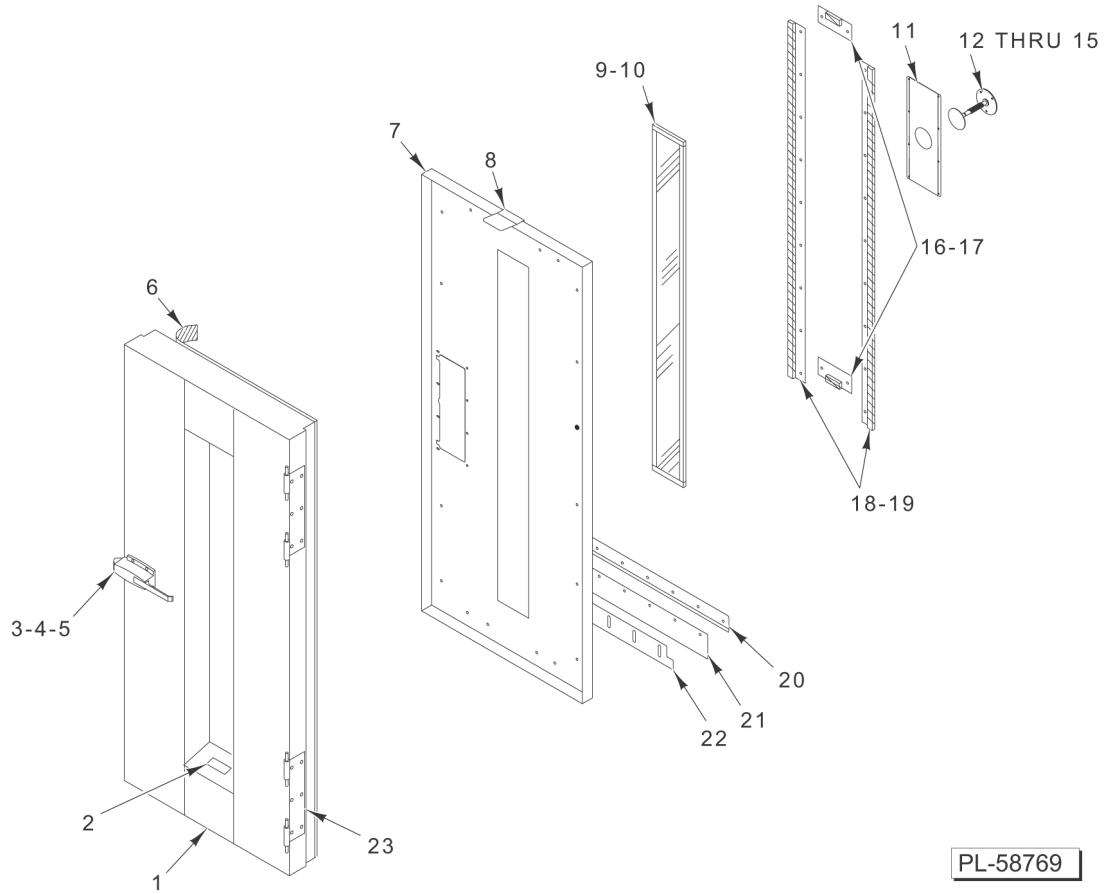
LOADING DOOR (ML-132355)

LOADING DOOR (ML-132355)

| ILLUS. PL-57473 | PART NO. | NAME OF PART | AMT. |
|--------------------|-----------------|--|------|
| 1 | 01-1M5374-00002 | Weldment - Door (21 In. Window) (Ovens Built Before 6/1/03)..... | 1 |
| 2 | 01-1M5590-00002 | Weldment - Door (21 In. Window) (Ovens Built After 6/1/03)..... | 1 |
| 3 | 01-1M2133-00002 | Weldment - Door (10 In. Window)..... | 1 |
| 4 | 01-100V18-0120B | Handle - Chrome Plated (Order With Item 4)..... | 1 |
| 5 | 01-100V16-00259 | Label - Warning..... | 1 |
| 6 | 01-1M5910-00001 | Spacer - Door Handle..... | 1 |
| 7 | 01-100V21-00065 | Tape - Fiberglass (1/8 x 1) (Sold per Foot)..... | 20 |
| 8 | 01-1M5376-00002 | Skin - Inner Door (21 In. Window) (Ovens Built Before 6/1/03)..... | 1 |
| 9 | 01-1M4991-00001 | Skin - Inner Door (21 In. Window) (Ovens Built After 6/1/03)..... | 1 |
| 10 | 01-1M2135-00002 | Skin - Inner Door (10 In. Window)..... | 1 |
| 11 | 01-1M2254-00001 | Guide - Door Switch Actuator..... | 1 |
| 12 | 01-1M4171-00003 | Window Assy. (21 In.) (Ovens Built Before 6/1/03) (Incls. Items 14, 16, & 17)..... | 1 |
| 13 | 01-1M4171-00002 | Window Assy. (10 In.) (Incls. Items 15 & 16)..... | 1 |
| 14 | 01-100V16-0102C | Glass - Tempered 1/4 In. Thk. (Ovens Built Before 6/1/03)..... | 1 |
| 15 | 01-100V16-0102J | Glass - Tempered 1/4 In. Thk. (Ovens Built After 6/1/03)..... | 1 |
| 16 | 00-513886-00003 | Sealer (Clear)..... | AR |
| *17 | 01-100V16-00611 | Gasket - Window (Ovens Built Before 6/1/03)..... | 14 |
| 18 | 01-1M1435-00002 | Handle - Interior Door (Incls. Items 19, 20, & 21)..... | 1 |
| 19 | 01-100V20-00010 | Spring - Compression 7/16 O.D..... | 1 |
| 20 | 01-1M1761-00001 | Plate..... | 1 |
| 21 | 01-1000V1-00036 | Ring - Retaining 7/16 In. (Zinc)..... | 1 |
| 22 | 01-1M2937-00003 | Retainer - Window (Horizontal) (21 In. Window) (Ovens Built Before 6/1/03)..... | 2 |
| 23 | 01-1M5574-00001 | Retainer - Window (Horizontal) (21 In. Window) (Ovens Built After 6/1/03)..... | 2 |
| 24 | 01-1M2937-00002 | Retainer - Window (Horizontal) (10 In. Window)..... | 2 |
| **25 | 01-100V21-0039A | Tape - Silicone (1/8 x 3/4)..... | 22 |
| 26 | 01-1M2937-00001 | Retainer - Window (Vertical) (21 In. Window) (Ovens Built Before 6/1/03)..... | 2 |
| 27 | 01-1M5574-00201 | Retainer - Window (Vertical) (21 In. Window) (Ovens Built After 6/1/03)..... | 2 |
| 28 | 01-1M2937-00001 | Retainer - Window (Vertical) (10 In. Window)..... | 2 |
| **29 | 01-100V21-0039A | Tape - Silicone (1/8 x 3/4)..... | 62 |
| 30 | 01-1M2255-00002 | Clamp - Floor Sweep..... | 1 |
| 31 | 01-1M2778-00002 | Strip - Silicone Floor Seal..... | 1 |
| 32 | 01-1M2769-00002 | Support - Floor Seal..... | 1 |
| 35 | 01-1M5918-00201 | Pin - Hinge Loading Door..... | 2 |
| 36 | 01-1000V0-00080 | Bearing - Door Hinge (Brass)..... | 2 |
| | 01-1000V4-00067 | Speed Nut..... | 26 |
| | 01-1000V4-00074 | Mach. Screw 1/4-20 x 3/4 Phil. Flat Hd..... | 16 |
| | 01-1M5289-00001 | Gasket - Loading Door Jamb..... | 1 |
| | 01-1M5289-00002 | Gasket - Loading Door Head..... | 1 |
| | 01-1A2876-00101 | Channel - Safety Bar (10 In. Window)..... | 5 |
| | 01-1A2876-00102 | Channel - Safety Bar (21 In. Window)..... | 5 |
| | 01-1M2469-00003 | Door - Loading (Pass-Thru) (10 In. Window) (Packaged - Domestic)..... | 1 |
| | 01-1M2469-00007 | Door - Loading (Pass-Thru) (10 In. Window) (Packaged - Export)..... | 1 |
| | 01-1M5551-00002 | Door - Loading Without Grid (10 In. Window) (Packaged)..... | 1 |
| | 01-1M5551-00003 | Door - Loading Without Grid (21 In. Window) (Packaged)..... | 1 |
| | 01-1M5551-00005 | Door - Loading With Grid (10 In. Window) (Packaged)..... | 1 |
| | 01-1M5551-00006 | Door - Loading With Grid (21 In. Window) (Packaged)..... | 1 |

* Sold Per Foot.

** Sold Per Inch.



PL-58769

**DOOR ASSEMBLY
(PUSH LOCK TYPE)**

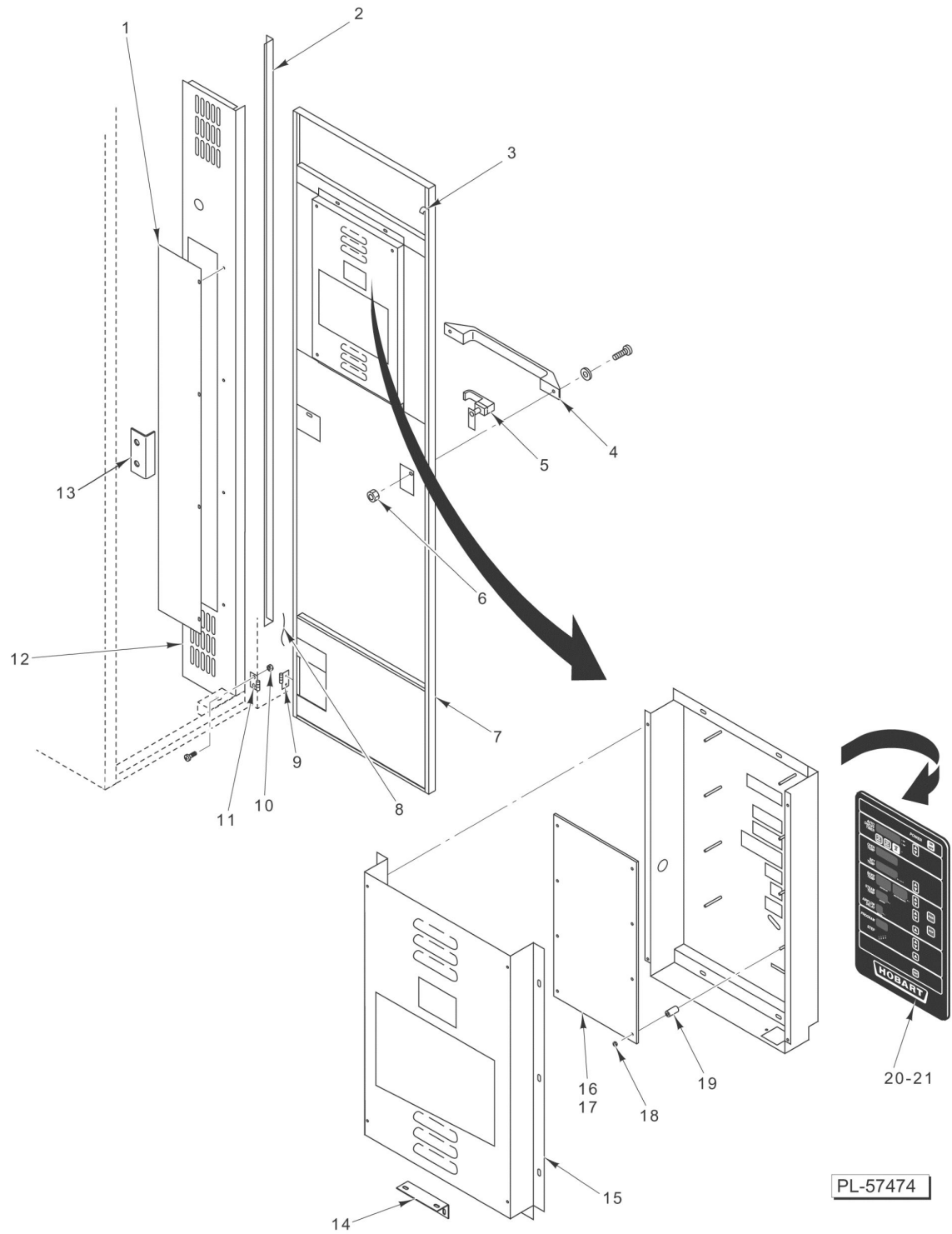
**DOOR ASSEMBLY
(PUSH LOCK TYPE)**

| ILLUS. PL-58769 | PART NO. | NAME OF PART | AMT. |
|--------------------|-----------------|---|------|
| 1 | 01-1M6033-00001 | Weldment - Door..... | 1 |
| 2 | 01-100V16-0168C | Label - Caution..... | 1 |
| *3 | 01-100V18-0120B | Handle - Chrome Plated..... | 1 |
| 4 | 01-100V16-00259 | Label - Warning..... | 1 |
| 5 | 01-1M5910-00001 | Spacer - Door Handle..... | 1 |
| **6 | 01-100V21-00065 | Tape - Fiberglass (1/8 x 1)..... | 30 |
| 7 | 01-1M6034-00101 | Skin - Inner Door..... | 1 |
| 8 | 01-1M2254-00001 | Guide - Door Switch Actuator..... | 1 |
| 9 | 01-100V16-00709 | Glass - Triple Pane..... | 1 |
| 10 | 01-100V16-0644B | Gasket - Window (1 Pc. Fused Corner)..... | 1 |
| 11 | 01-1M5920-00209 | Cover - Inner Door Latch..... | 2 |
| 12 | 01-1M1435-00002 | Handle - Interior Door (Incls. Items 13, 14, & 15)..... | 1 |
| 13 | 01-100V20-00010 | Spring - Compression 7/16 O.D..... | 1 |
| 14 | 01-1M1761-00001 | Plate - Interior Door Handle..... | 1 |
| 15 | 01-1000V1-00036 | Ring - Retaining 7/16 In. (Zinc)..... | 1 |
| 16 | 01-1M6030-00001 | Retainer - Horizontal Door Glass..... | 2 |
| ***17 | 01-100V21-00162 | Tape - Silicone Foam (1/8 x 111/64)..... | 10 |
| 18 | 01-1M5843-00001 | Retainer - Window..... | 2 |
| ***19 | 01-100V21-00162 | Tape - Silicone Foam (1/8 x 111/64)..... | 60 |
| 20 | 01-1M6034-00102 | Sweep - Inner Door..... | 1 |
| 21 | 01-100V16-0683A | Gasket - Floor Sweep..... | 1 |
| 22 | 01-1M6034-00103 | Sweep - Outer Door..... | 1 |
| 23 | 01-1M5918-00001 | Hinge - Door (Female)..... | 2 |
| | 01-1M6034-00001 | Door Assy. - Push Lock (Incls. Items 1 thru 23)..... | 1 |
| | 01-1M5092-00006 | Insulation (Packaged)..... | 1 |

* Order with 01-100V16-00259.

** Sold Per Foot.

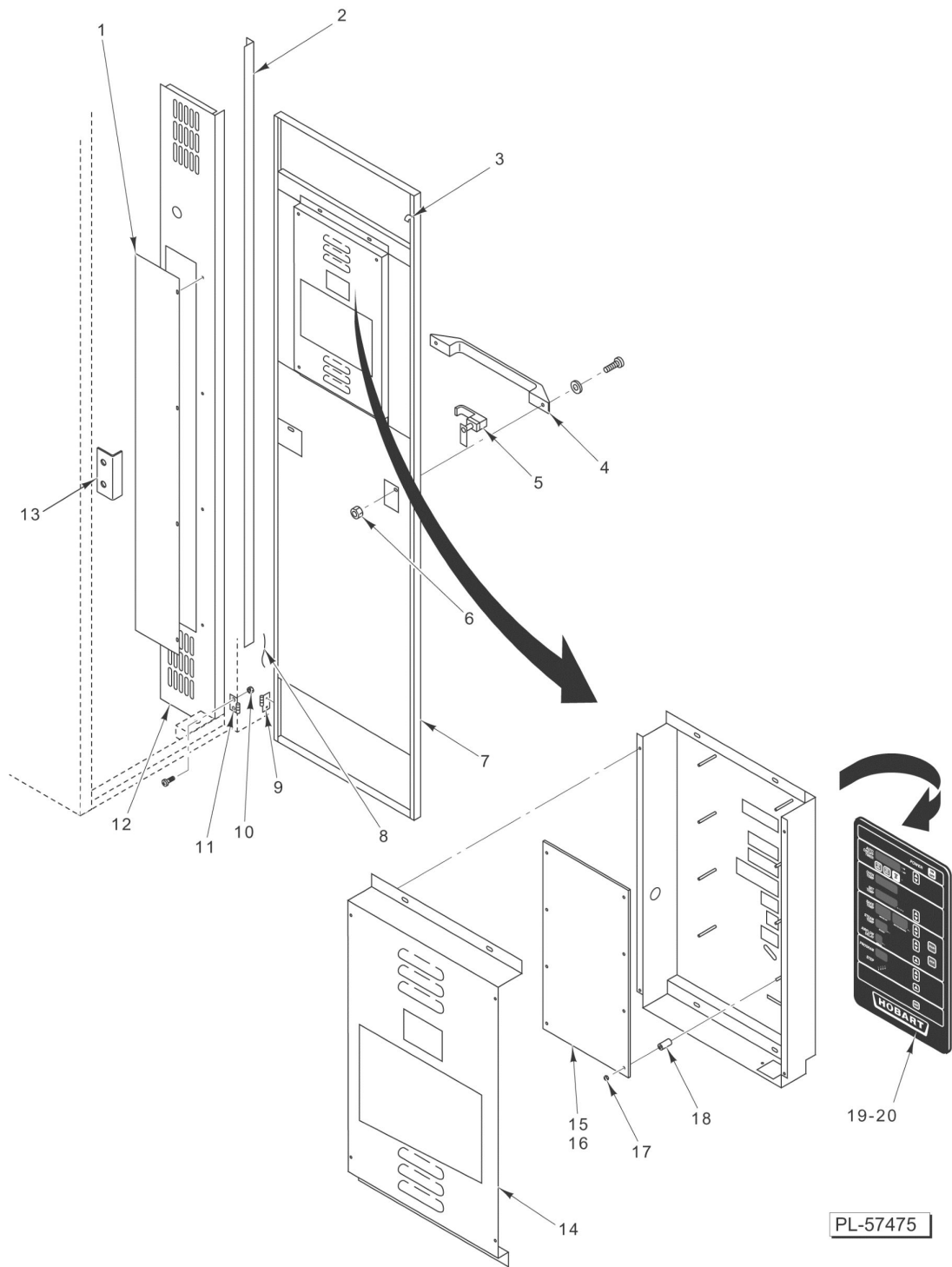
*** Sold Per Inch.



CONTROL CABINET, DOOR, AND CONTROLLER (ML-132361)

CONTROL CABINET, DOOR, AND CONTROLLER (ML-132361)

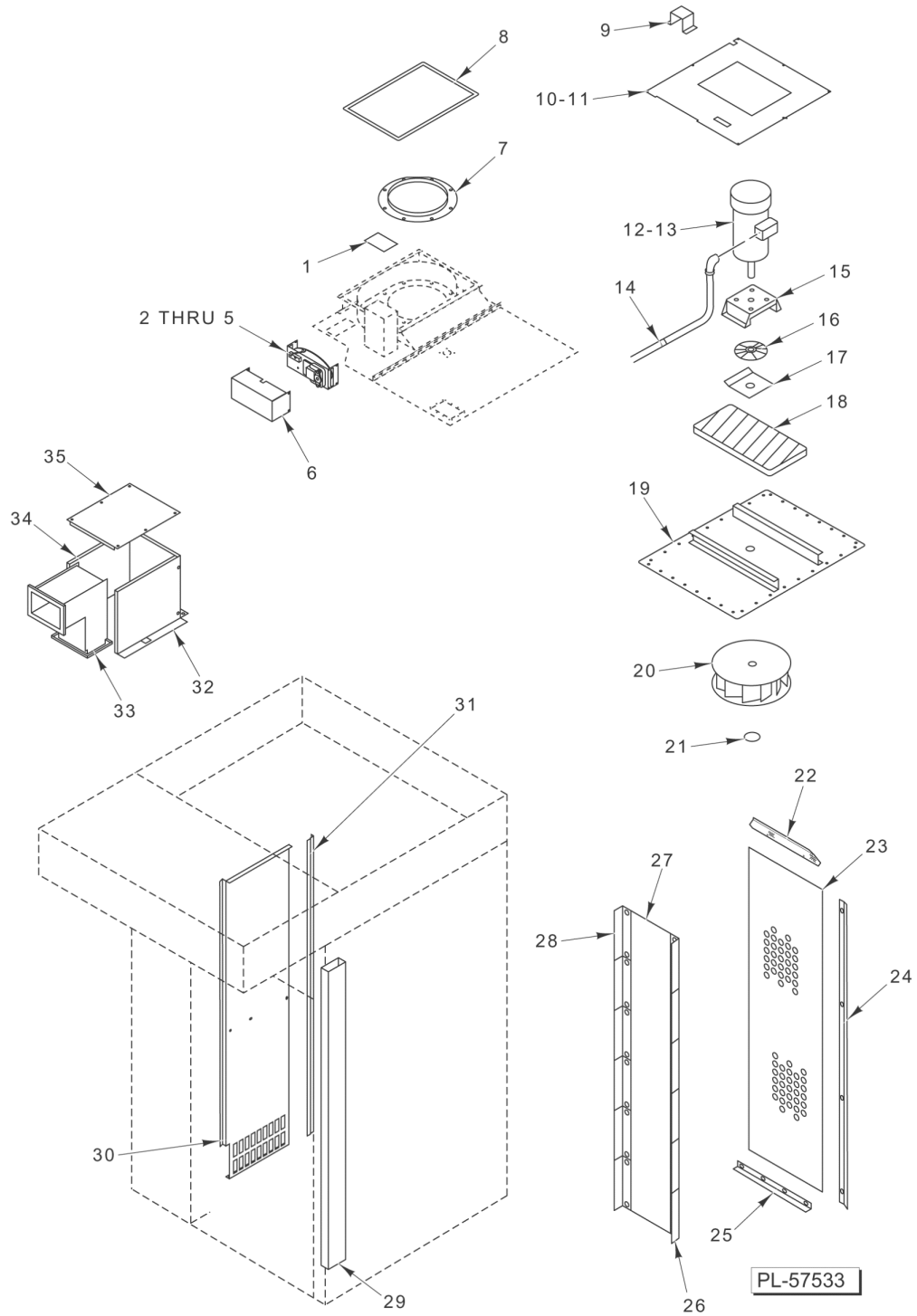
| ILLUS. PL-57474 | PART NO. | NAME OF PART | AMT. |
|--------------------|-----------------|--|------|
| 1 | 01-1M5150-00001 | Cover - Light Access..... | 1 |
| 2 | 01-1M5482-00001 | Angle - Control Cabinet..... | 1 |
| 3 | 01-100V21-00092 | Gasket - PVC-Extruded ("B" Shape)..... | 6 |
| 4 | 01-100V18-00091 | Handle..... | 1 |
| 5 | 01-100V18-00161 | Latch..... | 1 |
| 6 | 01-1000V4-00165 | Nut Hex..... | 2 |
| 7 | 01-1M5480-00001 | Door Assy. - Control (Incls. Items 2 thru 5, 8, & 11)..... | 1 |
| 8 | 01-1M2777-00001 | Strap - Ground..... | 1 |
| 9 | 01-1M1934-00001 | Hinge - Control Door (Male)..... | 3 |
| 10 | 01-1000V4-00165 | Nut Hex..... | 6 |
| 11 | 01-1M1934-00002 | Hinge - Control Door (Female)..... | 3 |
| 12 | 01-1M5149-00001 | Panel - Service (Light Access)..... | 1 |
| 13 | 01-1M5479-00001 | Catch - Control Door..... | 1 |
| 14 | 01-1M5482-00001 | Bracket..... | 2 |
| 15 | 01-1M5405-00001 | Cover - Controller..... | 1 |
| 16 | 01-100V16-00590 | EPROM (Standard)..... | 1 |
| 17 | 01-100V16-00565 | PC Board - Control..... | 1 |
| 18 | 01-1000V4-00165 | Nut Hex..... | 8 |
| 19 | 01-1000V5-00164 | Spacer - PC Board..... | 8 |
| 20 | 01-100V16-0545A | Overlay - Controller (Standard)..... | 1 |
| 21 | 01-100V16-0546A | Overlay - Controller (Advanced)..... | 1 |
| | 01-100V10-00223 | Alarm - Piezo Pre-wired..... | 1 |
| | 01-100V11-0030A | Connector - Seal Flex (3/8 x 90 Deg.)..... | 2 |
| | 01-1M1937-00003 | Plate - Harness..... | 1 |
| | 01-100V16-00584 | Label - Control Status..... | 1 |



CONTROL CABINET, DOOR, AND CONTROLLER (ML-132355)

CONTROL CABINET, DOOR, AND CONTROLLER (ML-132355)

| ILLUS. PL-57475 | PART NO. | NAME OF PART | AMT. |
|--------------------|-----------------|--|------|
| 1 | 01-1M5150-00001 | Cover - Light Access..... | 1 |
| 2 | 01-1M5482-00001 | Angle - Control Cabinet (Machines Built After 4/1/04)..... | 2 |
| 3 | 01-100V21-00092 | Gasket - PVC-Extruded ("B" Shape)..... | 6 |
| 4 | 01-100V18-00091 | Handle..... | 1 |
| 5 | 01-100V18-00161 | Latch (Machines Built After 4/1/04)..... | 1 |
| 6 | 01-1000V4-00165 | Nut Hex..... | 2 |
| 7 | 01-1M4992-00001 | Door Assy. - Control (Incls. Items 2 thru 6, 8, & 11)..... | 1 |
| 8 | 01-1M2777-00001 | Strap - Ground..... | 1 |
| 9 | 01-1M1934-00001 | Hinge - Control Door (Male)..... | 3 |
| 10 | 01-1000V4-00165 | Nut Hex..... | 6 |
| 11 | 01-1M1934-00002 | Hinge - Control Door (Female)..... | 3 |
| 12 | 01-1M5149-00001 | Panel - Service (Light Access)..... | 1 |
| 13 | 01-1M5479-00001 | Catch - Control Door (Machines Built After 4/1/04)..... | 1 |
| 14 | 01-1M5405-00001 | Cover - Controller (Machines Built After 4/1/04)..... | 1 |
| 15 | 01-100V16-00590 | EPROM (Standard)..... | 1 |
| 16 | 01-100V16-00565 | PC Board - Control..... | 1 |
| 17 | 01-1000V4-00165 | Nut Hex..... | 8 |
| 18 | 01-1M3001-00003 | Spacer - PC Board..... | 8 |
| 19 | 01-100V16-0545A | Overlay - Controller (Standard)..... | 1 |
| 20 | 01-100V16-0546A | Overlay - Controller (Advanced)..... | 1 |
| | 01-1M5569-00001 | Kit (Convert Standard to Advanced Controls)..... | 1 |
| | 01-100V10-00223 | Alarm - Piezo Pre-wired..... | 1 |
| | 01-100V11-0030A | Connector - Seal Flex (3/8 x 90 Deg.)..... | 2 |
| | 01-1M1937-00003 | Plate - Harness..... | 1 |
| | 01-100V16-00584 | Label - Control Status..... | 1 |

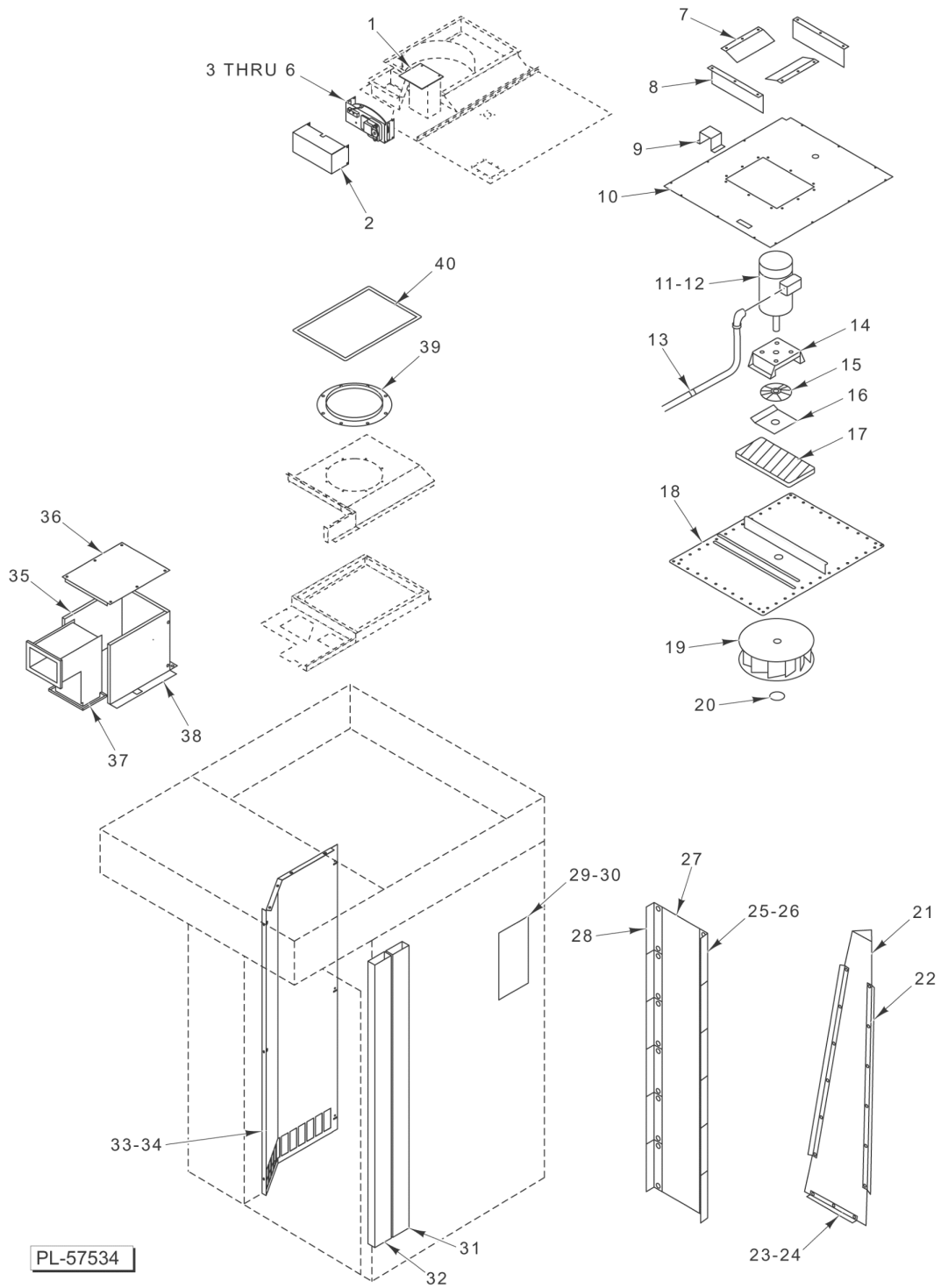


BLOWER, PANELS, AND VENTS (ML-132361)

BLOWER, PANELS, AND VENTS (ML-132361)

| ILLUS. | PART NO. | NAME OF PART | AMT. |
|----------|------------------------|--|------|
| PL-57533 | | | |
| 1 | 01-1M5266-00001 | Lid - Vent..... | 1 |
| 2 | 01-1M5826-00001 | Cam - Vent..... | 1 |
| 3 | 01-1M5102-00001 | Bracket - Vent..... | 1 |
| 4 | 01-1000V6-00001 | Micro-Switch With Roller..... | 1 |
| 5 | 01-1000V8-00109 | Motor - Vent Gear..... | 1 |
| 6 | 01-1M5101-00001 | Cover - Vent Bracket..... | 1 |
| 7 | 01-1M2451-00001 | Bell - Inlet..... | 1 |
| *8 | 01-100V21-0005A | Tape - Fiberglass 1/4 x 1..... | AR |
| 9 | 01-1M1433-00001 | Protector - Thermocouple..... | 1 |
| 10 | 01-1M5456-00001 | Cover - Insulation Blower (Machines Built Before 3/15/04)..... | 1 |
| 11 | 01-1M5542-00001 | Cover - Blower Insulation (Machines Built After 3/15/04)..... | 1 |
| 12 | 01-1000V8-00052 | Motor - Blower (3 Ph., 1-1/2 Hp.)..... | 1 |
| 13 | 01-1000V8-00067 | Motor - Blower (1 Ph., 2 Hp.)..... | 1 |
| 14 | 01-100V11-00073 | Clamp - Conduit (1/2)..... | 2 |
| 15 | 01-1M1360-00001 | Mount - Blower Motor..... | 1 |
| 16 | 01-1M2458-00001 | Heat Slinger Assy..... | 1 |
| 17 | 01-1M1794-00001 | Cover - Blower Insulation..... | 1 |
| 18 | 01-1M1795-00001 | Insulation - Blower..... | 1 |
| 19 | 01-1M2059-00001 | Weldment - Blower Mount..... | 1 |
| 20 | 01-1000V8-00041 | Wheel - Blower (15 In. Dia.)..... | 1 |
| 21 | 01-1000V1-00028 | Ring - Snap..... | 1 |
| 22 | 01-1M2101-00004 | Z-Bar (Pressure Panel)..... | 1 |
| 23 | 01-1M2579-00001 | Wall - Inner Pressure Panel..... | 1 |
| 24 | 01-1M2479-00003 | Retainer - Pressure Panel Bottom Wall..... | 2 |
| 25 | 01-1M2479-00002 | Retainer - Pressure Panel Side Wall..... | 2 |
| 26 | 01-1M5459-00001 | Shutter - Pressure Panel 90 Deg..... | 6 |
| 27 | 01-1M5523-00001 | Body - Pressure Panel Shutter Support..... | 1 |
| 28 | 01-1M5459-00002 | Shutter - Pressure Panel 97 Deg..... | 6 |
| 29 | 01-1M2089-00001 | Duct - Bottom Vent..... | 1 |
| 30 | 01-1M5473-00001 | Panel - Suction..... | 1 |
| 31 | 01-1M5476-00001 | Bracket - Mounting (Suction Panel)..... | 1 |
| 32 | 01-1M2222-00001 | Side - Duct Insulation Cover..... | 1 |
| 33 | 01-1M2074-00001 | Duct - Vent..... | 1 |
| 34 | 01-1M2223-00001 | Body - Duct Insulation Cover..... | 1 |
| 35 | 01-1M2224-00001 | Top - Duct Insulation Cover..... | 1 |
| | 01-1M2060-00002 | Blower Assy. (Incls. Items 15 thru 21)..... | 1 |
| | 01-1M5391-00001 | Kit - Shutter Set..... | 1 |
| | 01-1A1828-00001 | Kit - Thermocouple..... | 1 |

* Sold Per Inch.



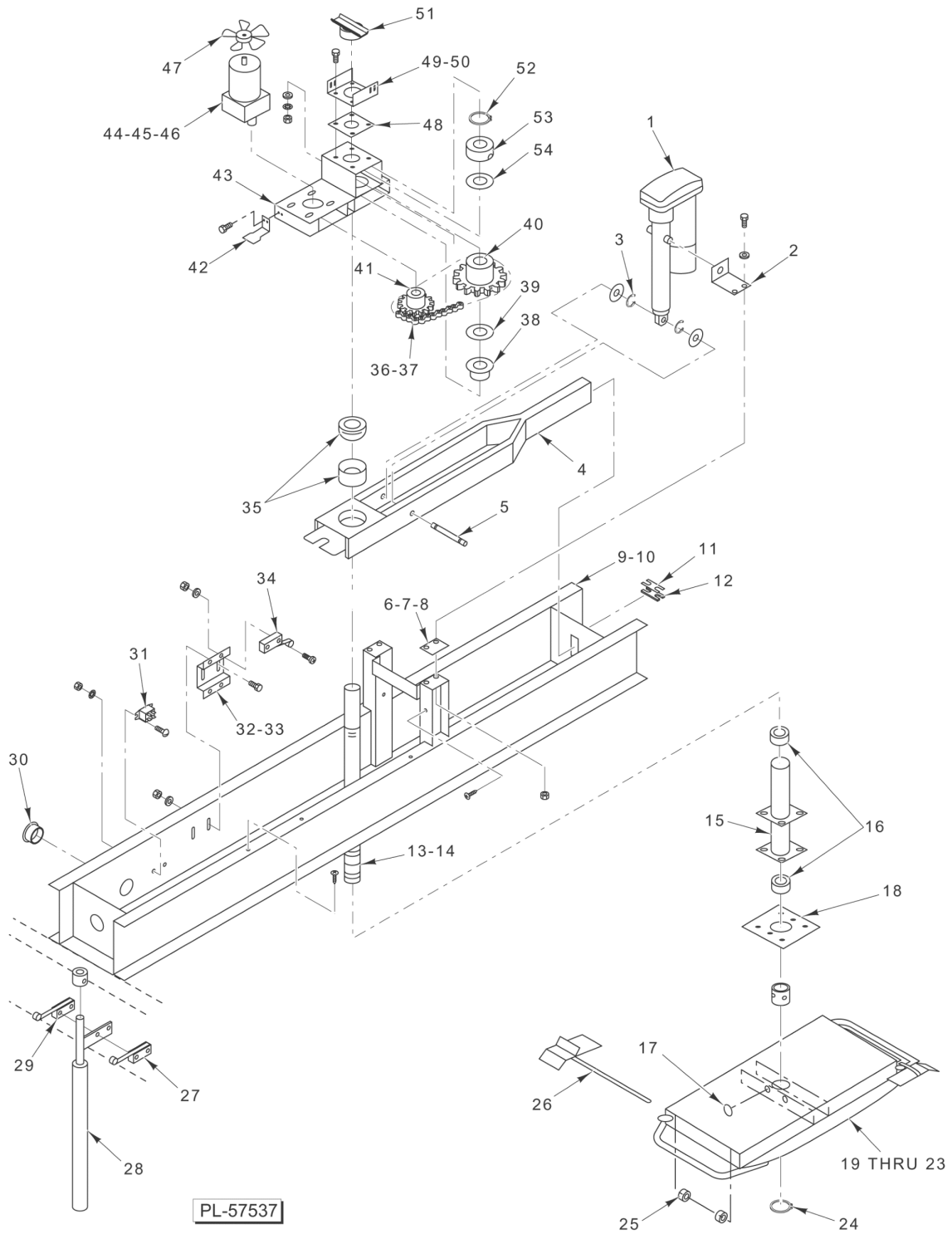
PL-57534

BLOWER, PANELS, AND VENTS (ML-132355)

BLOWER, PANELS, AND VENTS (ML-132355)

| ILLUS. | PART NO. | NAME OF PART | AMT. |
|----------|-----------------|---|------|
| PL-57534 | | | |
| 1 | 01-1M5266-00001 | Lid - Vent..... | 1 |
| 2 | 01-1M5101-00001 | Cover - Vent Bracket..... | 1 |
| 3 | 01-1M5826-00001 | Cam - Vent..... | 1 |
| 4 | 01-1M5102-00001 | Bracket - Vent..... | 1 |
| 5 | 01-1000V6-00001 | Micro-Switch With Roller..... | 1 |
| 6 | 01-1000V8-00109 | Motor - Vent Gear..... | 1 |
| 7 | 01-1M1895-00001 | Cover - Blower Insulation..... | 2 |
| 8 | 01-1M2227-00001 | Liner - Blower Insulation Cover..... | 2 |
| 9 | 01-1M1433-00001 | Protector - Thermocouple..... | 1 |
| 10 | 01-1M5027-00001 | Cover - Blower Insulation..... | 1 |
| 11 | 01-1000V8-00052 | Motor - Blower (3 Ph., 1-1/2 Hp.)..... | 1 |
| 12 | 01-1000V8-00067 | Motor - Blower (1 Ph., 2 Hp.)..... | 1 |
| 13 | 01-100V11-00073 | Clamp - Conduit (1/2)..... | 2 |
| 14 | 01-1M1360-00001 | Mount - Blower Motor..... | 1 |
| 15 | 01-1M2458-00001 | Heat Slinger Assy..... | 1 |
| 16 | 01-1M1794-00001 | Cover - Blower Insulation..... | 1 |
| 17 | 01-1M1795-00001 | Insulation - Blower..... | 1 |
| 18 | 01-1M5026-00001 | Weldment - Blower Mount..... | 1 |
| 19 | 01-1000V8-00058 | Wheel - Blower (18 In. Dia.)..... | 1 |
| 20 | 01-1000V1-00028 | Ring - Snap..... | 1 |
| 21 | 01-1M2560-00002 | Retainer - Pressure Panel Side Wall..... | 1 |
| 22 | 01-1M2579-00001 | Wall - Inner Pressure Panel..... | 1 |
| 23 | 01-1M2560-00001 | Retainer - Pressure Panel Bottom Wall (Previous Construction)..... | 1 |
| 24 | 01-1M5686-00205 | Panel - Pressure Retainer (Current Construction)..... | 1 |
| 25 | 01-1M3117-00001 | Shutter - Pressure Panel 97 Deg..... | 6 |
| 26 | 01-1000V4-00020 | Insert - Threaded 1/4-20..... | 24 |
| 27 | 01-1M2096-00002 | Body - Pressure Panel Shutter Support..... | 1 |
| 28 | 01-1M5176-00001 | Shutter - Pressure Panel 90 Deg..... | 6 |
| 29 | 01-1M2557-00002 | Guide - Pressure Panel Air (RH) (Previous Construction)..... | 1 |
| 30 | 01-1M2557-00001 | Guide - Pressure Panel Air (LH) (Previous Construction)..... | 1 |
| 31 | 01-1M2566-00001 | Duct - Side..... | 1 |
| 32 | 01-1M2089-00001 | Duct - Bottom Vent..... | 1 |
| 33 | 01-1M5050-00001 | Panel - Suction (Machines Built Before 4/25/07)..... | 1 |
| 34 | 01-1M5935-00002 | Panel - Suction (Machines Built On or After 4/25/07) (Starting Serial #24-1045072) | 1 |
| 35 | 01-1M2223-00001 | Body - Duct Insulation Cover..... | 1 |
| 36 | 01-1M2224-00001 | Top - Duct Insulation Cover..... | 1 |
| 37 | 01-1M2074-00001 | Duct - Vent..... | 1 |
| 38 | 01-1M2222-00001 | Side - Duct Insulation Cover..... | 1 |
| 39 | 01-1M2451-00002 | Bell - Inlet..... | 1 |
| *40 | 00-515194 | Sealer..... | AR |
| | 01-1M5025-00001 | Blower Assy. (3 Ph.) (Incls. Items 11, 14, 15, 16, 18, 19, & 20)..... | 1 |
| | 01-1M5025-00002 | Blower Assy. (1 Ph.) (Incls. Items 12, 14, 15, 16, 18, 19, & 20)..... | 1 |
| | 01-1M5391-00002 | Kit - Shutter Set (Machines Built Before 10/06/05)..... | 1 |
| | 01-1M5601-00001 | Cover - Hood Draft Inducer..... | 1 |
| | 01-1M5602-00001 | Plate - Cover Flue Outlet..... | 1 |
| | 01-1M5406-00001 | Filler - Corner Baffle..... | 1 |
| | 01-1A1828-00001 | Kit - Thermocouple..... | 1 |

* Sold Per Inch.



LIFTER AND ROTATOR

LIFTER AND ROTATOR

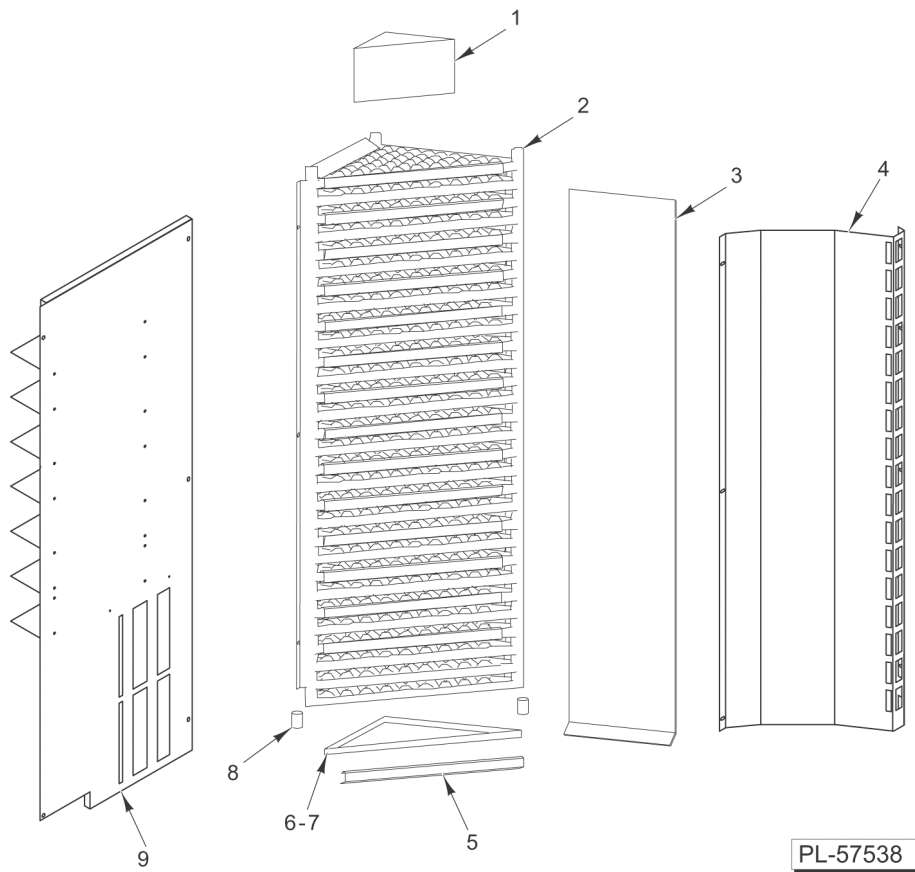
| ILLUS. PL-57537 | PART NO. | NAME OF PART | AMT. |
|--------------------|-----------------|---|------|
| 1 | 01-1M2418-00001 | Actuator - Linear (Modified)..... | 1 |
| | 01-1A1344-00001 | Kit - Linear Actuator Brake..... | 1 |
| 2 | 01-1M2289-00001 | Angle - Linear Actuator Support..... | 2 |
| 3 | 01-1000V1-00037 | Ring - Snap 1/2 In. Dia..... | 2 |
| 4 | 01-1M2304-00001 | Arm..... | 1 |
| 5 | 01-1M2290-00001 | Shaft - Pivot (Linear Actuator Support)..... | 1 |
| *6 | 01-1M2766-00003 | Shim (24 Ga. Steel)..... | AR |
| *7 | 01-1M2766-00002 | Shim (24 Ga. Steel)..... | AR |
| *8 | 01-1M2766-00001 | Shim (16 Ga. Steel)..... | AR |
| 9 | 01-1M2298-00001 | Weldment - Lifter (ML-132361)..... | 1 |
| 10 | 01-1M2298-00002 | Weldment - Lifter (ML-132355)..... | 2 |
| 11 | 01-1M2730-00001 | Plate..... | 1 |
| 12 | 01-1M2731-00001 | Strip..... | 1 |
| 13 | 01-1M2797-00001 | Shaft (Standard 28.35 - 28.41)..... | 1 |
| 14 | 01-1M4865-00001 | Shaft - Short (26.85 - 26.91) (C Lift) (Canada Only)..... | 1 |
| 15 | 01-1M2140-00001 | Housing - Rotator Shaft..... | 1 |
| 16 | 01-1000V0-00055 | Bearing - Rotator Shaft..... | 2 |
| 17 | 01-100V15-00048 | Plug - Plated (For 0.75 Hole)..... | 1 |
| 18 | 01-1M1899-00001 | Clamp - Rotator Housing..... | 1 |
| 19 | 01-1M5363-00001 | Rack - Carrier (A Style) (ML-132355)..... | 1 |
| 20 | 01-1M2796-00001 | Rack - Carrier (B Style) (Incls. Items 25 & 26) (ML-132361)..... | 1 |
| 21 | 01-1M2796-00002 | Rack - Carrier (B Style) (Incls. Items 25 & 26) (ML-132355)..... | 1 |
| 22 | 01-1M4862-00002 | Rack - Carrier (C Style) (ML-132361)..... | 1 |
| 23 | 01-1M4862-00001 | Rack - Carrier (C Style) (ML-132355)..... | 1 |
| 24 | 01-1000V1-00004 | Ring - Snap (1-1/2 In.)..... | 1 |
| 25 | 01-1000V1-00013 | Collar - Set 1/2 In. Dia..... | 1 |
| 26 | 01-1M2580-00002 | Stop - Rack Carrier (B Style Carrier)..... | 1 |
| 27 | 01-1000V6-00223 | Switch - Lever DPST..... | 1 |
| 28 | 01-1M2765-00001 | Rod - Door Switch Actuator (Pivot)..... | 1 |
| 29 | 01-1000V6-00065 | Microswitch..... | 1 |
| 30 | 01-1000V5-00073 | Bushing - Snap..... | 1 |
| 31 | 01-1000V6-00070 | Relay - D.P.D.T. (1/4 Hp., 120 VAC)..... | 1 |
| 32 | 01-1M2296-00001 | Bracket - Micro-Switch (A Style) (ML-132355)..... | 1 |
| 33 | 01-1M2296-00002 | Bracket - Micro-Switch..... | 1 |
| 34 | 01-1000V6-00065 | Microswitch..... | 1 |
| 35 | 01-1000V0-00051 | Bushing - Spherical..... | 1 |
| 36 | 01-1000V3-00088 | Link - Connecting..... | 1 |
| 37 | 01-1000V3-0087A | Chain - Roller 20-1/8 In..... | 1 |
| 38 | 01-1000V0-00054 | Bearing - Flanged..... | 1 |
| 39 | 01-1000V0-00068 | Washer - Thrust..... | 1 |
| 40 | 01-1M2228-00001 | Sprocket..... | 1 |
| 41 | 01-1000V3-00105 | Sprocket (17T)..... | 1 |
| 42 | 01-1M2489-00001 | Actuator - Micro-Switch..... | 1 |
| 43 | 01-1M2114-00001 | Rotator - Weldment..... | 1 |
| 44 | 01-1000V8-00111 | Capacitor..... | 1 |
| 45 | 01-1000V8-00110 | Gear Motor..... | 1 |
| 46 | 01-1000V8-0049D | Bracket - Mounting..... | 1 |
| 47 | 01-1000V8-00113 | Blade - Fan 8 In. Dia. (For 5-1/2 In. Fan Blade use 01-1000V8-00056)..... | 1 |
| 48 | 01-1M1927-00001 | Plate - Teflon..... | 1 |
| 49 | 01-1M5085-00001 | Plate - Rotator..... | 1 |
| 50 | 01-1000V6-00001 | Micro-Switch..... | 2 |
| 51 | 01-1M5201-00001 | Pointer..... | 1 |
| 52 | 01-1000V1-00004 | Ring - Snap (1-1/2 In.)..... | 1 |
| 53 | 01-1M2264-00001 | Collar - Set..... | 1 |
| 54 | 01-1M2265-00001 | Clutch - Slide..... | 1 |

LIFTER AND ROTATOR

| ILLUS. | PART NO. | NAME OF PART | AMT. |
|----------|-----------------|--|------|
| PL-57537 | 01-1M5133-00001 | Lifter Assy. (Incls. Items 1 thru 5, 10, 11, 12, 27, & 29 thru 32) (ML-132355)..... | 1 |
| | 01-1M5133-00002 | Lifter Assy. (Incls. Items 1 thru 5, 9, 11, 12, 27, 29, 30, 31, & 33) (ML-132361)..... | 1 |
| | 01-1M5037-00001 | Harness - Lifter..... | 1 |
| | 01-1000V5-00023 | Pad - Mounting..... | 6 |
| | 01-1000V5-00015 | Nut - Wire..... | 3 |
| | 01-1000V5-00014 | Tie - Cable..... | 6 |
| | 01-1M2750-00001 | Side - Lifter Cover..... | 2 |
| | 01-1M2751-00002 | Front - Lifter Cover..... | 1 |
| | 01-1M2752-00001 | Back - Lifter Cover..... | 1 |

* This part used intermittently and in varying quantities. Most lifter assemblies will not require this part, but a few will require one. A very few will require more than one.

NOTES

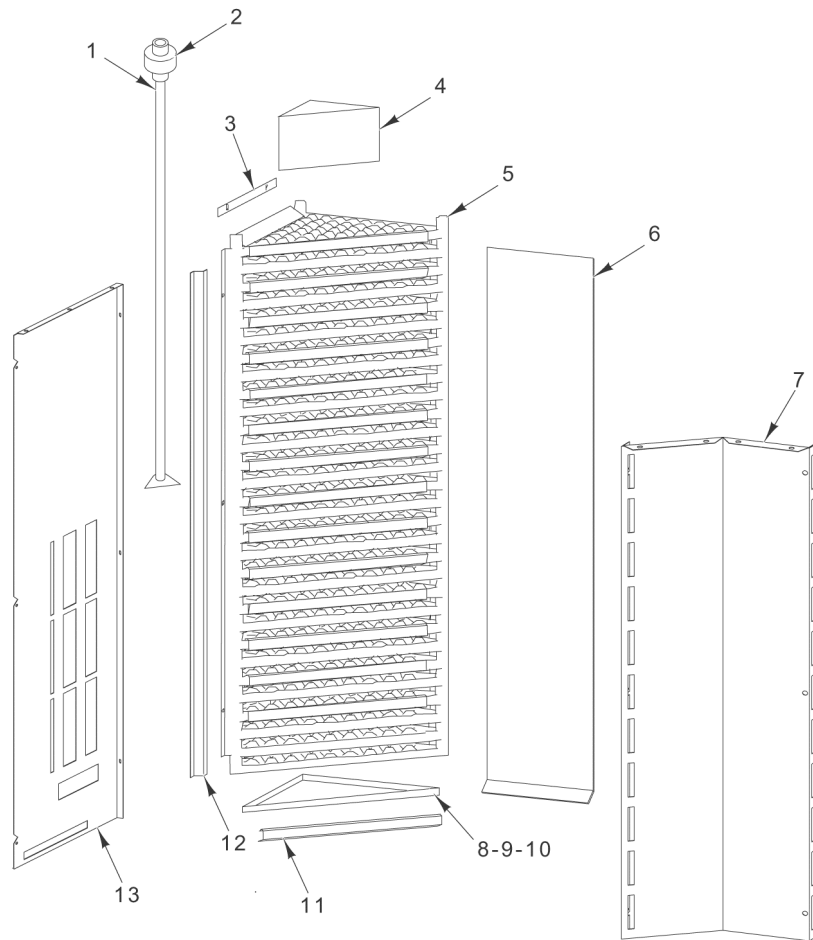


PL-57538

STEAMER ASSEMBLY (ML-132361)

STEAMER ASSEMBLY (ML-132361)

| ILLUS. | PART NO. | NAME OF PART | AMT. |
|-----------------|-----------------|-----------------------------------|-------------|
| PL-57538 | | | |
| 1 | 01-1M5198-00001 | Box Weldment - Steamer..... | 1 |
| 2 | 01-100V16-00529 | Casting - Steamer..... | 15 |
| 3 | 01-1M5475-00001 | Sheet - Splash..... | 1 |
| 4 | 01-1M5474-00001 | Panel - Steamer..... | 1 |
| 5 | 01-1M5065-00001 | Bracket - Water Guide..... | 7 |
| 6 | 01-1M5064-00001 | Pan - Drain..... | 1 |
| 7 | 01-1M5068-00001 | Plate - Mounting (Drain Pan)..... | 1 |
| 8 | 01-1M5536-00001 | Support - Steamer Castings..... | 2 |
| 9 | 01-1M5471-00001 | Panel - Steamer (Rear)..... | 1 |
| | 01-1M5146-00101 | Manifold - Steamer Weldment..... | 1 |

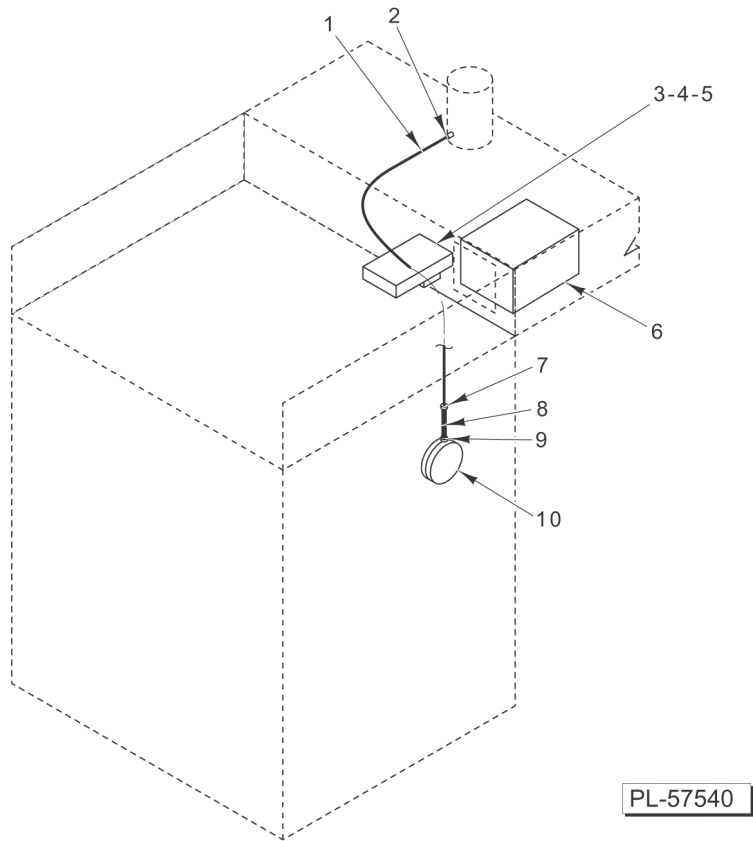


PL-57539

STEAMER ASSEMBLY (ML-132355)

STEAMER ASSEMBLY (ML-132355)

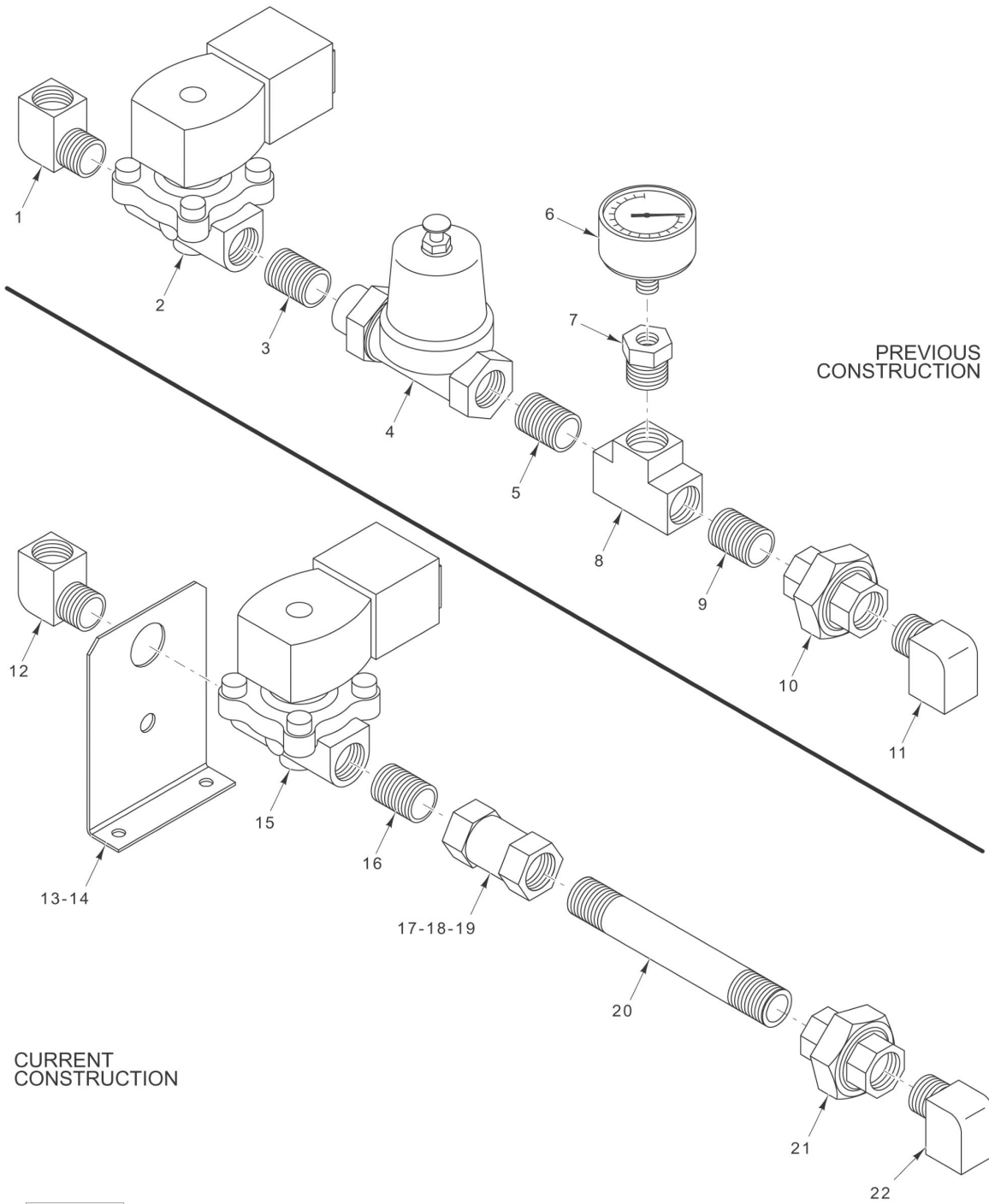
| ILLUS. PL-57539 | PART NO. | NAME OF PART | AMT. |
|--------------------|-----------------|---|------|
| 1 | 01-1M5146-00001 | Manifold Assy. - Steamer..... | 1 |
| 2 | 01-100V17-00286 | Union 1/2 In. Dia. NPT..... | 1 |
| 3 | 01-1M5171-00001 | Angle - Shutter Casting (Top Section)..... | 1 |
| 4 | 01-1M5198-00001 | Box Weldment - Steamer..... | 1 |
| 5 | 01-100V16-00529 | Casting - Steamer..... | 30 |
| 6 | 01-1M5067-00001 | Sheet - Splash..... | 1 |
| 7 | 01-1M5051-00001 | Panel - Steamer..... | 1 |
| 8 | 01-1M5064-00001 | Pan - Drain..... | 1 |
| 9 | 01-1M5510-00001 | Gasket (8 In.)..... | 1 |
| 10 | 01-1M5068-00001 | Plate - Mounting (Drain Pan)..... | 1 |
| 11 | 01-1M5065-00001 | Bracket - Water Guide..... | 15 |
| 12 | 01-1M5171-00002 | Angle - Shutter Casting (Side Section)..... | 1 |
| 13 | 01-1M5049-00001 | Panel - Steamer (Rear)..... | 1 |



VENTING

VENTING

| ILLUS. | PART NO. | NAME OF PART | AMT. |
|----------|---------------------------|---|------|
| PL-57540 | | | |
| 1 | 01-100V17-00004 | Tube - 1/4 In. O.D. (Alum.) 10 Ft..... | 1 |
| 2 | FP-078-49 | Fitting - Tube (1/4 In.) (Brass)..... | 1 |
| 3 | 01-1M5162-00001 | Bracket - Draft Inducer Hold Down..... | 2 |
| 4 | 01-1M5112-00001 | Inducer - Draft (300K)..... | 1 |
| 5 | 01-1M5112-00002 | Inducer - Draft (350K)..... | 1 |
| 6 | 01-1M5172-00001 | Baffle Weldment - Exhaust (ML-132355)..... | 1 |
| 7 | 01-1000V1-00018 | Clamp - Hose 1/4 I.D. x 7/16 O.D..... | 1 |
| 8 | 01-1A1023-00425 | Tube - Black (Neopene)..... | 1 |
| 9 | 01-1000V1-00018 | Clamp - Hose 1/4 I.D. x 7/16 O.D..... | 1 |
| 10 | 01-1M2824-00001 | Switch - Pressure..... | 1 |
| | 01-1M5164-00001 | Hood - Connection Weldment (ML-132355)..... | 1 |
| | 01-1M5170-00001 | Cover - Insulation Clamp (ML-132355)..... | 1 |



CURRENT
CONSTRUCTION

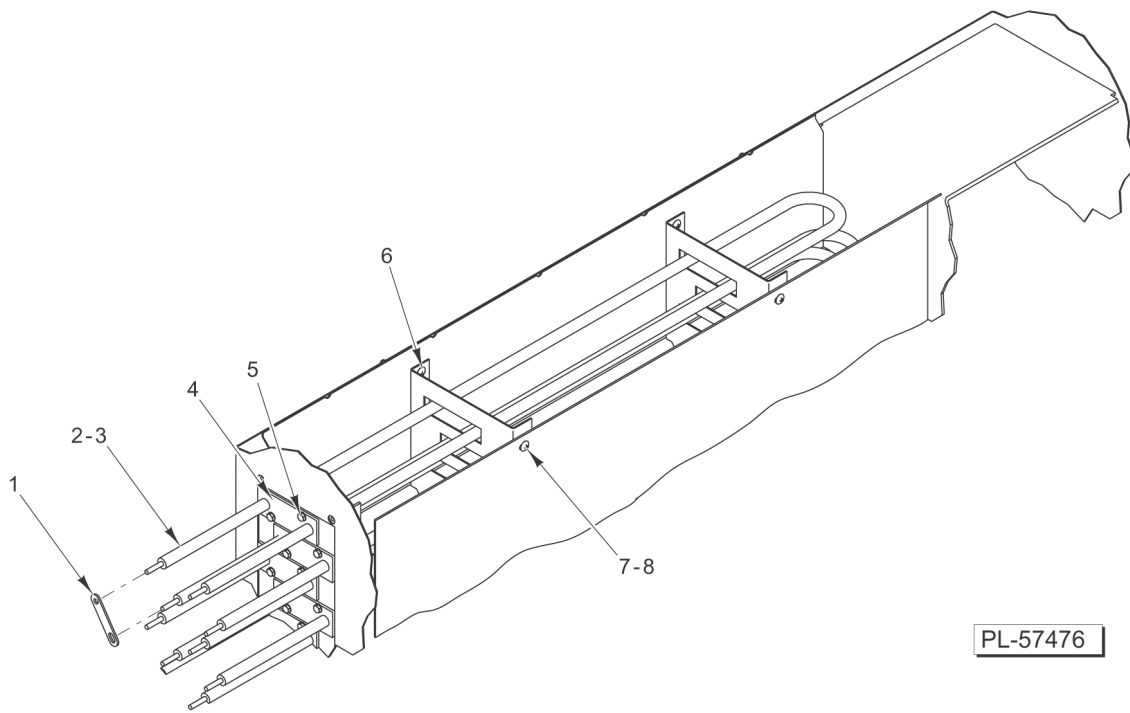
PREVIOUS
CONSTRUCTION

PL-57541

EXTERIOR WATER SUPPLY

EXTERIOR WATER SUPPLY

| ILLUS. PL-57541 | PART NO. | NAME OF PART | AMT. |
|--------------------|-----------------|--|------|
| 1 | 01-100V17-00322 | Ell 1/2 Street (Brass)..... | 1 |
| 2 | 01-100V17-00274 | Valve - Solenoid Water (2-Way) (120 V.)..... | 1 |
| 3 | 01-100V17-00288 | Pipe 1/2 Dia. Close (Brass)..... | 1 |
| 4 | 01-100V17-00330 | Regulator - Water Pressure 1/2 NPTF (10-70 PSI)..... | 1 |
| 5 | 01-100V17-00288 | Pipe 1/2 Dia. Close (Brass)..... | 1 |
| 6 | 01-100V17-00204 | Gauge - Pressure (100 PSI)..... | 1 |
| 7 | 01-100V17-00229 | Bushing - Reducer (Brass)..... | 1 |
| 8 | 01-100V17-00312 | Tee 1/2 NPT (Brass)..... | 1 |
| 9 | 01-100V17-00288 | Pipe 1/2 Dia. Close (Brass)..... | 1 |
| 10 | 01-100V17-00286 | Union 1/2 Dia. NPT (Brass)..... | 1 |
| 11 | 01-100V17-00322 | Ell 1/2 Street (Brass)..... | 1 |
| 12 | 01-100V17-00322 | Ell 1/2 Street (Brass)..... | 1 |
| 13 | 01-1M5818-00102 | Bracket - Water Supply Support (Single Rack)..... | 1 |
| 14 | 01-1M5818-00101 | Bracket - Water Supply Support (Double Rack)..... | 1 |
| 15 | 01-100V17-00274 | Valve - Solenoid Water (2-Way) (120 V.)..... | 1 |
| 16 | 01-100V17-00288 | Pipe 1/2 Dia. Close (Brass)..... | 1 |
| 17 | 01-100V17-00567 | Regulator - Flow 1/2 NPTF (2 G.P.M.)..... | 1 |
| 18 | 01-100V17-00568 | Regulator - Flow 1/2 NPTF (3 G.P.M.)..... | 1 |
| 19 | 01-100V17-00569 | Regulator - Flow 1/2 NPTF (5 G.P.M.)..... | 1 |
| 20 | 01-100V17-00570 | Nipple 1/2 In. Dia. x 6 In. (Brass)..... | 1 |
| 21 | 01-100V17-00286 | Union 1/2 Dia. NPT (Brass)..... | 1 |
| 22 | 01-100V17-00322 | Ell 1/2 Street (Brass)..... | 1 |
| | 01-1M5818-00001 | Water Supply (2 G.P.M.) (Single Rack Ovens)..... | 1 |
| | 01-1M5818-00002 | Water Supply (3 G.P.M.) (Double Rack Ovens)..... | 1 |



HEATING ELEMENTS

HEATING ELEMENTS

| ILLUS. | PART NO. | NAME OF PART | AMT. |
|----------|-----------------|--|------|
| PL-57476 | | | |
| 1 | 01-1M5578-00001 | Jumper - Heater..... | AR |
| 2 | 01-100V10-0228A | Element - Heating (208 V., 2850 W.) (Double Rack)..... | 18 |
| 3 | 01-100V10-0228B | Element - Heating (240 V., 2850 W.) (Single Rack)..... | 12 |
| 4 | 01-1M5539-00001 | Plate - Heater Mounting..... | 1 |
| 5 | | Screw 10-32 (With Lockwasher)..... | 38 |
| 6 | 01-1M5411-00001 | Support - Element..... | 2 |
| 7 | 01-1000V4-00121 | Insert - Threaded 10-32 Hex..... | 8 |
| 8 | | Mach. Screw 10-32 x 1/2 Phil. Truss Hd..... | 8 |

