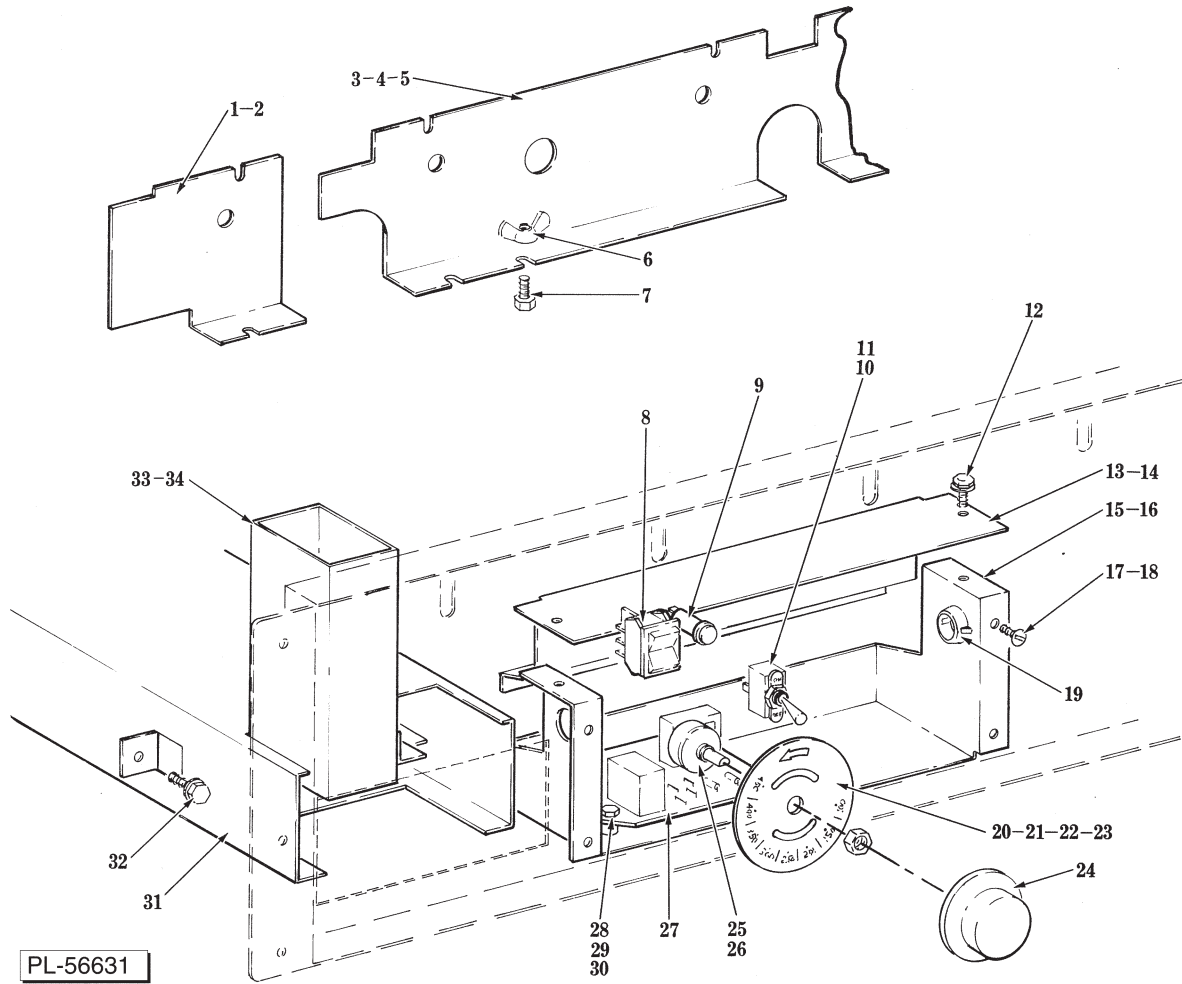




CATALOG OF REPLACEMENT PARTS

GAS GRIDDLE

GG036S	ML-52004
GG036D	ML-52005
GG048S	ML-52006
GG048D	ML-52007
GG072S	ML-52008
GG072D	ML-52009



CONTROLS

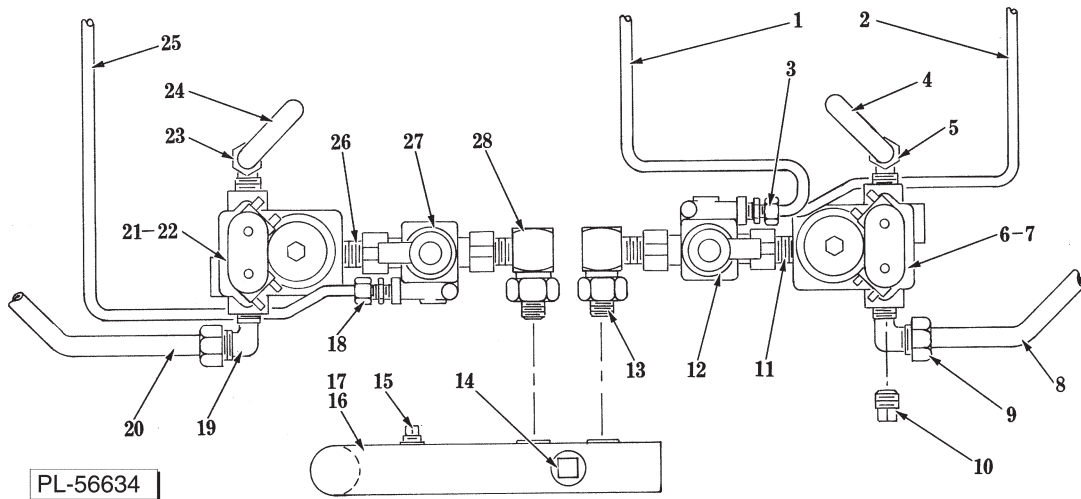
CONTROLS

ILLUS.	PART NO.	NAME OF PART	AMT.
	PL-56631		
1	00-357921-00001	End – Heat Shield (LH)	1
2	00-357921-00002	End – Heat Shield (RH)	1
3	00-810276	Shield – Center Heat (GG036S & GG036D)	1
4	00-810267	Shield – Center Heat (GG048S & GG048D)	1
5	00-357922-00001	Shield – Center Heat (GG072S & GG072D)	1
6	NS-029-01	Wing Nut 1/4-20	4
7	SC-036-14	Cap Screw 1/4-20 x 1/2 Hex Hd.	4
8	00-824226-00002	Switch (Red) (125 V.)	1
**9	00-817193-00003	Light – Control Panel (Amber)	3
**10	00-906444	Switch – On-Off Toggle	3
**11	00-997550	Plate – On-Off Legend	3
**12	SD-036-60	Self-Tapping Screw 10-16 x 1/2 Hex Washer Hd., Type AB	2
**13	00-819167	Cover – Control Compartment (10 ³ / ₄ In. Lg.)	1
**14	00-819209	Cover – Control Compartment (5 ³ / ₄ In. Lg.) (GG036D)	1
**15	00-819166	Compartment – Control (10 ³ / ₄ In. Lg.)	1
**16	00-819207	Compartment – Control (5 ³ / ₄ In. Lg.) (GG036D)	1
17	SC-066-06	Mach. Screw 10-24 x 1/2 Phil. Truss Hd.	8
18	NS-044-09	Nut & Lockwasher Assy. 10-24 KEPS	8
19	FE-016-02	Bushing – Heyco Snap	2
*20	00-810069	Dial (Used with Thermostat)	3
*21	SC-066-02	Mach. Screw 6-32 x 3/8 Phil. Truss Hd.	6
**22	00-810142	Dial (Used With Potentiometer)	3
**23	SC-053-05	Mach. Screw 10-24 x 3/8 Truss Hd.	6
24	00-824272	Control Knob Assy.	3
*25	00-810071	Thermostat	3
**26	00-819001	Potentiometer & Lead Wires Assy.	3
**27	00-358512-00001	Circuit Board – Heat Controller	3
28	SC-018-24	Mach. Screw 6-32 x 3/4 Phil. Pan Hd.	12
29	WL-007-01	Lockwasher #6 External Shakeproof	12
30	NS-047-63	Mach. Nut 6-32 Square	12
31	00-810055	Slide – Grease Pan	1
32	SD-036-60	Self-Tapping Screw 10-16 x 1/2 Hex Washer Hd., Type AB	1
33	00-819815	Grease Chute Assy.	1
34	SD-035-21	Self-Tapping Screw 10-16 x 1/2 Truss Hd., Type B	1
	00-810134	Cord & Plug 78 In. (18 AWG - 3 Cond.)	1
	FE-014-47	Strain Relief	1

*Standing Pilot (Models S).

**Electronic Ignition (Models D).

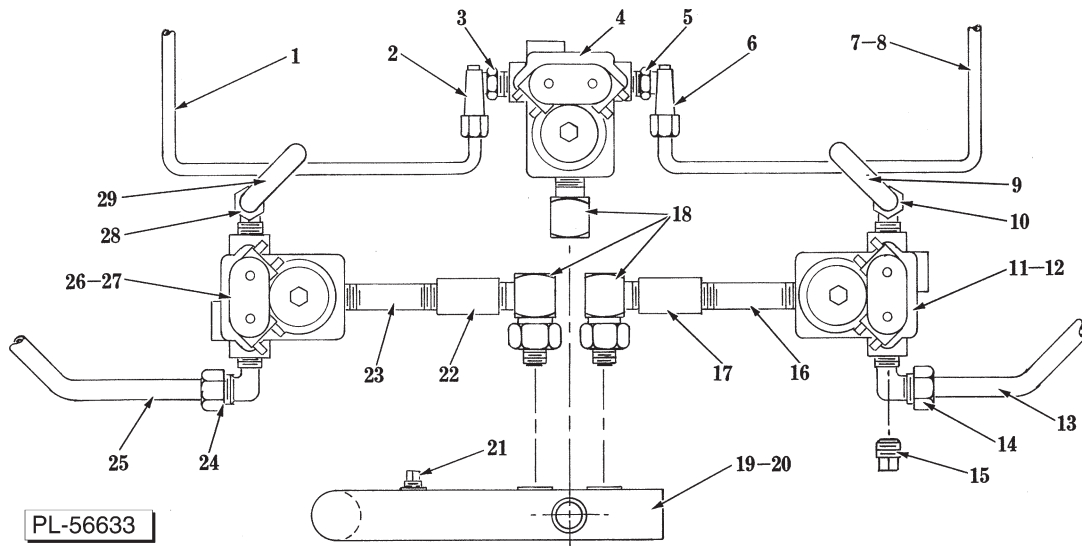
Amounts are for GG036, amounts for other models will vary.



**PIPING & VALVES
(STANDARD IGNITION)**

ILLUS.	PART NO.	NAME OF PART	AMT.
	PL-56634		
1	00-426505-00012	Tubing – Pilot Flex 1/4 O.D. x 12 In.	1
2	00-426505-00012	Tubing – Pilot Flex 1/4 O.D. x 12 In.	1
3	FP-078-49	Connector – Straight (1/4 Tube x 1/8 M.P.T.)	1
4	00-426507-00008	Tubing – Burner Flex 3/8 O.D. x 8 In.	1
5	FP-012-46	Elbow 90 Deg. (3/8 Tube x 3/8 M.P.T.)	1
6	00-819297	Valve – Natural Gas	1
7	00-819298	Valve – LP Gas	1
8	00-426507-00018	Tubing – Burner Flex 3/8 O.D. x 18 In.	1
9	FP-012-46	Elbow 90 Deg. (3/8 Tube x 3/8 M.P.T.)	1
10	FP-028-08	Plug 3/8 Sq. Hd. Pipe	AR
11	FP-035-46	Pipe 3/8 x 1 Lg. TBE	1
12	00-920442	Valve – Safety Pilot	1
13	00-810216	Elbow 90 Deg. Union	1
14	FP-028-08	Plug 3/8 Sq. Hd. Pipe	1
15	FP-025-45	Plug 1/8 Sq. Hd. Pipe	1
16	00-819309	Manifold Assy. (GG036S & GG048S)	1
17	00-819309-00001	Manifold Assy. (GG072S)	1
18	FP-078-49	Connector – Straight (1/4 Tube x 1/8 M.P.T.)	1
19	FP-012-46	Elbow 90 Deg. (3/8 Tube x 3/8 M.P.T.)	1
20	00-426507-00018	Tubing – Burner Flex 3/8 O.D. x 18 In.	1
21	00-819297	Valve – Natural Gas	1
22	00-819298	Valve – LP Gas	1
23	FP-012-46	Elbow 90 Deg. (3/8 Tube x 3/8 M.P.T.)	1
24	00-426507-00008	Tubing – Burner Flex 3/8 O.D. x 8 In.	1
25	00-426505-00012	Tubing – Pilot Flex 1/4 O.D. x 12 In.	1
26	FP-035-46	Pipe – 3/8 x 1 Lg. TBE	1
27	00-920442	Valve – Safety Pilot	1
28	00-810216	Elbow 90 Deg. Union	1
	00-920052	Lighting Instructions (Adhesive Label)	1

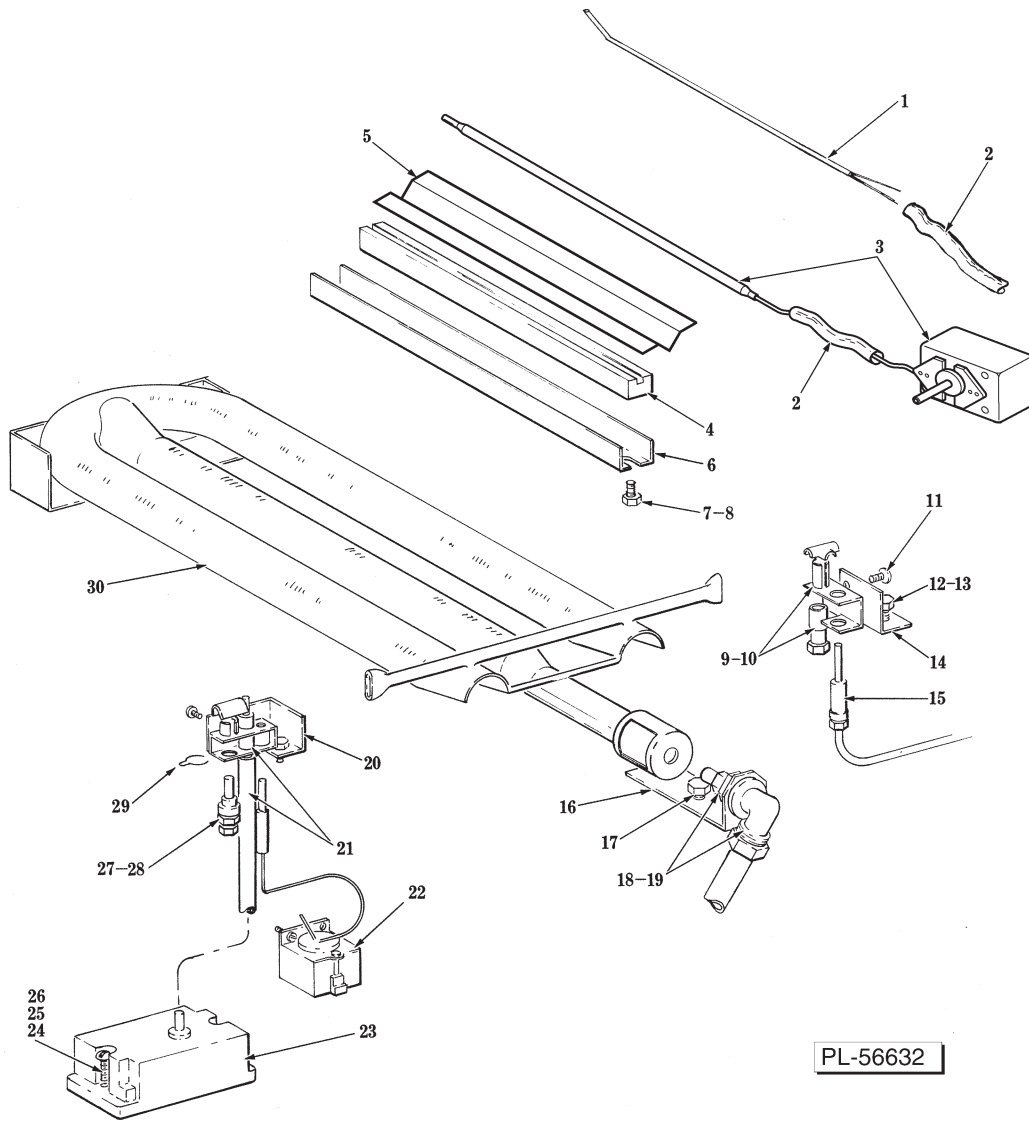
Amounts are for GG036, amounts for other models will vary.



**PIPING & VALVES
(ELECTRONIC IGNITION)**

ILLUS.	PART NO.	NAME OF PART	AMT.
PL-56633			
1	00-426505-00018	Tubing – Pilot Flex 1/4 O.D. x 18 In.	1
2	00-404193-00001	Valve – Pilot	1
3	FP-026-05	Bushing 3/8 to 1/8 Face Reducing	1
4	00-819298	Valve (Pilot, Natural or LP Gas)	1
5	FP-026-05	Bushing – 3/8 to 1/8 Face Reducing	1
6	00-404193-00001	Valve – Pilot	1
7	00-426505-00018	Tubing – Pilot Flex 1/4 O.D. x 18 In.	1
8	00-426507-00009	Tubing – Pilot (9 Lg.) (GG036D & GG072D) (RH)	1
9	00-426507-00008	Tubing – Burner Flex 3/8 O.D. x 8 In.	1
10	FP-012-46	Elbow 90 Deg. (3/8 Tube x 3/8 M.P.T.)	1
11	00-819297	Valve – Natural Gas	1
12	00-819298	Valve – LP Gas	1
13	00-426507-00018	Tubing – Burner Flex 3/8 O.D. x 18 In.	1
14	FP-012-46	Elbow 90 Deg. (3/8 Tube x 3/8 M.P.T.)	1
15	FP-028-08	Plug 3/8 Sq. Hd. Pipe	AR
16	FP-035-60	Pipe 3/8 x 3 1/4 Lg. TBE	1
17	FP-023-13	Coupling 3/8 Pipe	1
18	00-810216	Elbow 90 Deg. Union	3
19	00-819309	Manifold Assy. (GG036D & GG048D)	1
20	00-819309-00001	Manifold Assy. (GG072D)	1
21	FP-028-45	Plug 1/8 Sq. Hd. Pipe	1
22	FP-023-13	Coupling 3/8 Pipe	1
23	FP-035-60	Pipe 3/8 x 3 1/4 Lg. TBE	1
24	FP-012-46	Elbow 90 Deg. (3/8 Tube x 3/8 M.P.T.)	1
25	00-426507-00018	Tubing – Burner Flex 3/8 O.D. x 18 In.	1
26	00-819297	Valve – Natural Gas	1
27	00-819298	Valve – LP Gas	1
28	FP-012-46	Elbow 90 Deg. (3/8 Tube x 3/8 M.P.T.)	1
29	00-426507-00008	Tubing – Burner Flex 3/8 O.D. x 8 In.	1
	00-819150	Lighting Instructions (Adhesive Label)	1

Amounts are for GG036, amounts for other models will vary.



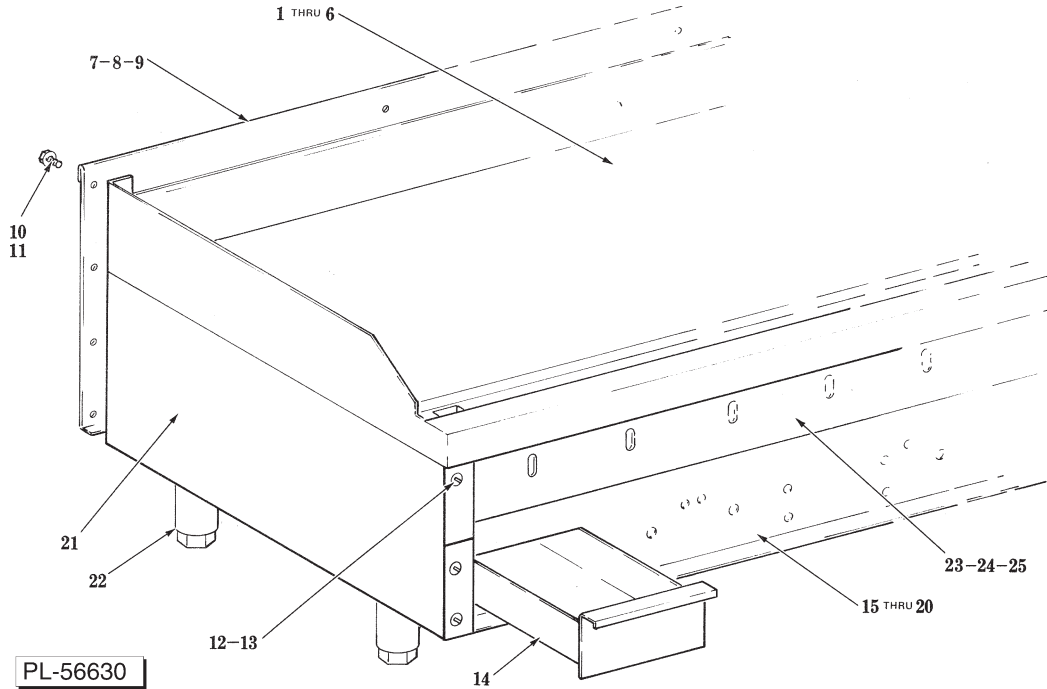
PL-56632

BURNER & PILOTS

BURNER & PILOTS

ILLUS. PL-56632	PART NO.	NAME OF PART	AMT.
**1	00-819172	Probe – Thermistor	3
2	00-806768	Sleeving (Capillary Tube/Thermistor Probe)	3
3	00-810071	Thermostat	3
4	00-810079-00002	Insulation (Thermostat Bulb/Thermistor Probe)	3
*5	00-788701	V-Bracket (Per Section)	1
6	00-810039-00002	Clamp (Thermostat Bulb/Thermistor Probe)	3
7	SC-036-14	Cap Screw 1/4-20 x 1/2 Hex Hd.	3
*8	00-911037-00004	Nut – Tinnerman (Floating Caged)	3
*9	00-920041-00011	Pilot Assy. (Natural Gas)	2
*10	00-920041-00012	Pilot Assy. (LP Gas)	2
11	SC-110-87	Mach. Screw 10-32 x 1/4 Phil. Pan Hd.	4
*12	SC-119-23	Mach. Screw 10-24 x 1/2 Hex Washer Hd.	4
*13	NS-044-09	Nut & Lockwasher Assy. 10-24 KEPS	4
*14	00-810074-00011	Bracket – Pilot Burner	2
*15	00-412788-00001	Thermocouple (18 In. Lg.)	2
16	00-819173	Holder – Burner Orifice	3
17	SD-036-60	Self-Tapping Screw 10-16 x 1/2 Hex Washer Hd., Type AB	6
18	00-802389-00022	Orifice #41 – Burner (NAT) (Sea Level to 2000 Ft.)	3
19	00-802389-00012	Orifice #52 – Burner (PRO) (Sea Level to 2000 Ft.)	3
**20	00-819144	Bracket – Burner Pilot	2
**21	00-819143	Pilot Burner & Hi-Voltage Lead Wire Assy.	2
**22	00-819147	Switch – Flame	2
**23	00-819145	Ignitor – Spark	2
**24	SC-093-02	Mach. Screw 6-32 x 1/2 Pan Hd.	4
**25	WL-007-01	Lockwasher #6 External Shakeproof	4
**26	NS-047-63	Mach. Nut 6-32 Square	4
**27	00-819146	Orifice – Pilot (Natural Gas)	2
**28	00-819146-00001	Orifice – Pilot (LP Gas)	2
**29	00-819146-00002	Clip – Pilot Orifice	2
30	00-819142	Burner & Air Shutter Assy.	3
	00-411420-00001	Valve – Shut-Off	1

*Standing Pilot (Models S).
 **Electronic Ignition (Model D).
 Amounts are for GG036, amounts for other models will vary.



GRIDDLES & PANELS

ILLUS.	PART NO.	NAME OF PART	AMT.
	PL-56630		
1	00-824246	Griddle Assy. (GG036S)	1
2	00-824245	Griddle Assy. (GG036D)	1
3	00-824244	Griddle Assy. (GG048S)	1
4	00-824243	Griddle Assy. (GG048D)	1
5	00-824242	Griddle Assy. (GG072S)	1
6	00-824235	Griddle Assy. (GG072D)	1
7	00-810036-00010	Panel – Flue (GG036S & GG036D)	1
8	00-810036-00012	Panel – Flue (GG048S & GG048D)	1
9	00-810036-00016	Panel – Flue (GG072S & GG072D)	1
10	SD-036-60	Self-Tapping Screw 10-16 x 1/2 Hex Washer Hd., Type AB	AR
11	00-911037-00010	Nut – Tinnerman	AR
12	SD-036-61	Self-Tapping Screw 10-16 x Truss Hd., Type B	6
13	00-911037-00001	U-Nut	6
14	00-824329-00002	Grease Pan Assy.	AR
15	00-824373-00001	Lower Front Panel & Hinge Assy. (GG036S)	1
16	00-824373-00004	Lower Front Panel & Hinge Assy. (GG036D)	1
17	00-824373-00002	Lower Front Panel & Hinge Assy. (GG048S)	1
18	00-824373-00005	Lower Front Panel & Hinge Assy. (GG048D)	1
19	00-824373-00003	Lower Front Panel & Hinge Assy. (GG072S)	1
20	00-824373-00006	Lower Front Panel & Hinge Assy. (GG072D)	1
21	00-819506-00001	Cover – Side Panel (SST)	2
22	00-881402	Leg – Adjustable (Griddle)	4
23	00-824368	Upper Front Panel (GG036S & GG036D)	1
24	00-824369	Upper Front Panel (GG048S & GG048D)	1
25	00-824370	Upper Front Panel (GG072S & GG072D)	1
	00-421819-00G11	Stand W/Legs (GG036)	1
	00-421819-00G13	Stand W/Legs (GG048)	1
	00-421819-00G15	Stand W/Legs (GG072)	1
	00-421819-00G12	Stand W/Casters (GG036)	1
	00-421819-00G14	Stand W/Casters (GG048)	1
	00-421819-00G16	Stand W/Casters (GG072)	1
	00-881402	Adjustable Leg Assy. (Stand)	4
	00-824997-00002	Casters – W/O Brake	2
	00-824997-00001	Caster – W/Brake	2
	00-346427-00001	Label “Hot”	1