



CATALOG OF REPLACEMENT PARTS



FT1000e SERIES DISHWASHERS

ML-130250

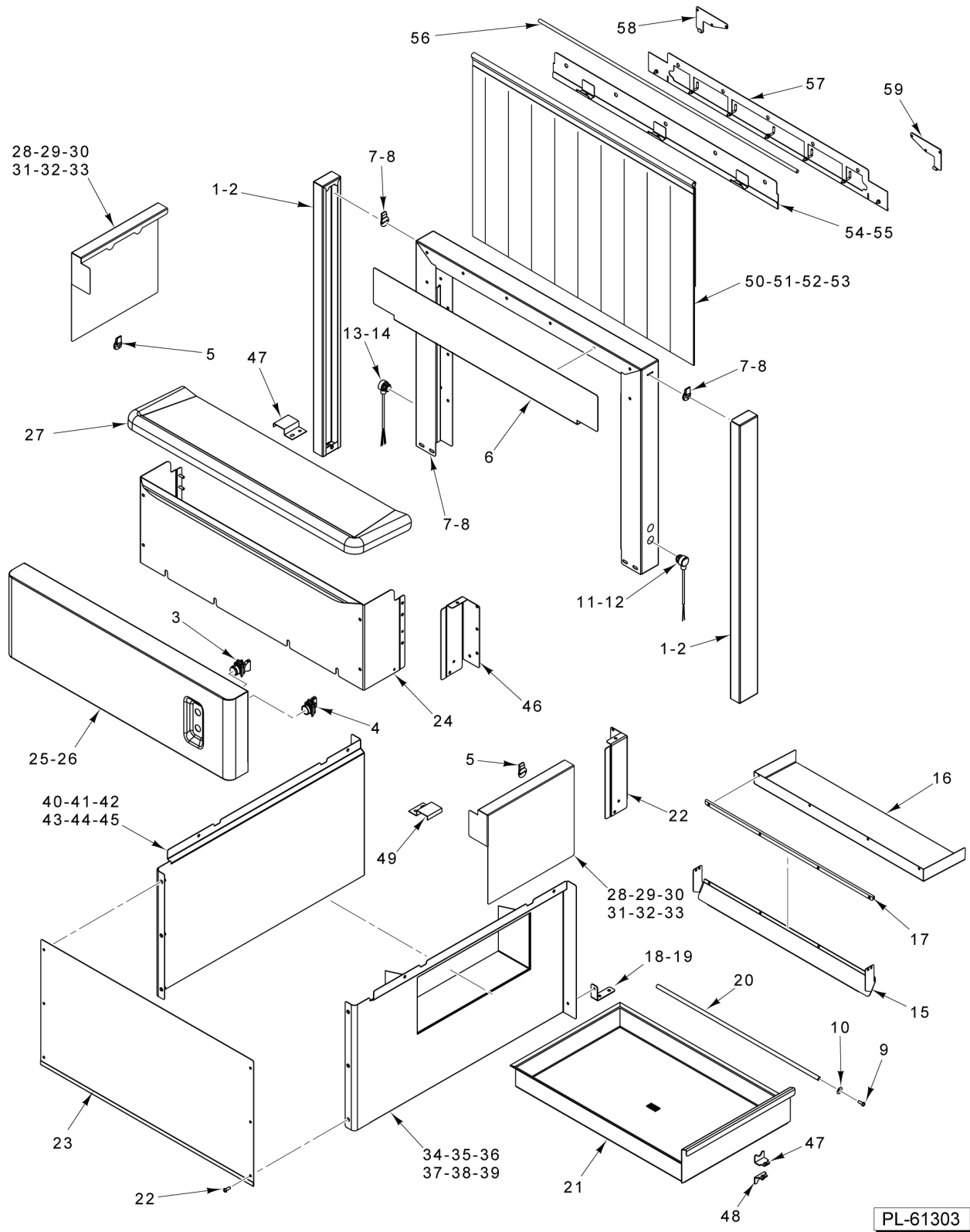
**FT1000e
FT1000e-ER
FT1000e-ER-BD
FT1000Se
FT1000Se-ER
FT1000Se-ER-BD
FT1000e Advansys**

Table of Contents

7	PANELS (LOAD)
9	TRACKS (LOAD)
11	DRAIN TEMPERING VALVE KIT
13	DRAIN (LOAD TO ASR)
15	DRAIN (LOAD TO PREWASH)
17	DRAIN ASSEMBLY (AUTOMATIC) (LOAD)
19	HINGE DOOR ASSEMBLY (ASR)
21	SLIDING DOOR ASSEMBLY (ASR) (STARTING S/N 271196838)
23	SLIDING DOOR COMPONENTS (ASR) (STARTING S/N 271196838)
25	PANELS AND TRACKS (ASR) (STARTING S/N 271196838)
27	CURTAINS, FLOWBACK, MAKEUP PANS, & STRAINERS (ASR)
29	RINSE ARM AND MANIFOLD ASSEMBLY (ASR)
31	PUMP AND MOTOR ASSEMBLY (ASR)
33	TANK DRAIN ASSEMBLY (ASR)
35	FLOAT ASSEMBLY (ASR)
37	HINGE DOOR ASSEMBLY (PREWASH & WASH/POWER RINSE)
39	SLIDING DOOR ASSEMBLY (PREWASH & WASH/POWER RINSE) (STARTING S/N 271196838)
41	SLIDING DOOR COMPONENTS (PREWASH & WASH/POWER RINSE) (STARTING S/N 271196838)
43	PANELS AND TRACKS (PREWASH & WASH/POWER RINSE) (STARTING S/N 271196838)
45	FLOWBACK, MAKEUP PANS, & SCREENS (PREWASH & WASH/POWER RINSE)
47	CURTAINS (PREWASH & WASH/POWER RINSE)
49	AIR GAP ASSEMBLY (PREWASH & WASH/POWER RINSE)
51	WASH ARMS AND MANIFOLD (PREWASH)
53	WASH ARMS AND MANIFOLD (WASH/POWER RINSE)
55	WASH PUMP ASSEMBLY (PREWASH & WASH/POWER RINSE)
57	TANK DRAIN ASSEMBLY (PREWASH & WASH/POWER RINSE)
59	FLOAT ASSEMBLY (PREWASH & WASH/POWER RINSE)
61	ELECTRIC TANK HEAT (WASH/POWER RINSE)
63	STEAM TANK HEAT (3/4 IN. INLET) (WASH/POWER RINSE)
65	STEAM TANK HEAT (1 IN. INLET) (WASH/POWER RINSE)
67	HINGE DOOR ASSEMBLY (DUAL RINSE)
69	SLIDING DOOR ASSEMBLY (DUAL RINSE) (STARTING S/N 271196838)
71	SLIDING DOOR COMPONENTS (DUAL RINSE) (STARTING S/N 271196838)
73	PANELS AND TRACKS (DUAL RINSE) (STARTING S/N 271196838)
75	WATER RECOVERY AND CONTAINMENT (DUAL RINSE)
77	RINSE ARMS AND MANIFOLDS (DUAL RINSE)
79	TANK DRAIN ASSEMBLY (DUAL RINSE)
81	PUMP ASSEMBLY (DUAL RINSE)

- 83 ELECTRIC TANK HEAT (DUAL RINSE)
- 85 THERMISTOR BOX (STEAM ONLY) (DUAL RINSE)
- 87 STEAM TANK HEAT (DUAL RINSE)
- 89 ENERGY RECOVERY (DUAL RINSE)
- 91 CONTROL BOX ASSEMBLY
- 93 CABLES (LOAD, ASR, & PREWASH)
- 95 CABLES (CONTROL BOX)
- 97 CABLES (DUAL RINSE, POWER RINSE, & WASH)
- 99 CABLES (UNLOAD)
- 101 BASEPLATE HARDWARE (FT1000E) (ELECTRIC HEAT)
- 103 BASEPLATE COMPONENTS (FT1000E) (ELECTRIC HEAT)
- 105 BASEPLATE HARDWARE (FT1000SE) (ELECTRIC HEAT)
- 107 BASEPLATE COMPONENTS (FT1000SE) (ELECTRIC HEAT)
- 109 BASEPLATE HARDWARE (ADVANSYS) (ELECTRIC HEAT)
- 111 BASEPLATE COMPONENTS (ADVANSYS) (ELECTRIC HEAT)
- 113 BASEPLATE HARDWARE (FT1000E) (STEAM HEAT) (PREVIOUS CONSTRUCTION)
- 115 BASEPLATE HARDWARE (FT1000E) (STEAM HEAT) (CURRENT CONSTRUCTION)
- 117 BASEPLATE COMPONENTS (FT1000E) (STEAM HEAT) (PREVIOUS CONSTRUCTION)
- 119 BASEPLATE COMPONENTS (FT1000E) (STEAM HEAT) (CURRENT CONSTRUCTION)
- 121 BASEPLATE HARDWARE (FT1000SE) (STEAM HEAT) (PREVIOUS CONSTRUCTION)
- 123 BASEPLATE HARDWARE (FT1000SE) (STEAM HEAT) (CURRENT CONSTRUCTION)
- 125 BASEPLATE COMPONENTS (FT1000SE) (STEAM HEAT) (PREVIOUS CONSTRUCTION)
- 127 BASEPLATE COMPONENTS (FT1000SE) (STEAM HEAT) (CURRENT CONSTRUCTION)
- 129 BASEPLATE HARDWARE (ADVANSYS) (STEAM HEAT)
- 131 BASEPLATE COMPONENTS (ADVANSYS) (STEAM HEAT)
- 133 UPPER CONTROL BOX (CIRCUIT BREAKERS)
- 135 UPPER CONTROL BOX (TERMINAL BOARDS)
- 137 TRANSFORMER BASE PLATE ASSEMBLY
- 139 STEAM BOOSTER
- 141 ELECTRIC BOOSTER
- 143 PUMPED FINAL RINSE MOTOR ASSEMBLY
- 145 AUTO CLEAN HOSES
- 147 FILL PLUMBING (WITH AUTOCLEAN) (R-L)
- 149 FILL PLUMBING (WITH AUTOCLEAN) (W/O ENERGY RECOVERY) (R-L)
- 151 FILL PLUMBING (NO AUTOCLEAN) (R-L)
- 153 FILL PLUMBING (BASE UNIT) (R-L)
- 155 FILL PLUMBING (WITH AUTOCLEAN) (L-R)
- 157 FILL PLUMBING (WITH AUTOCLEAN) (W/O ENERGY RECOVERY) (L-R)

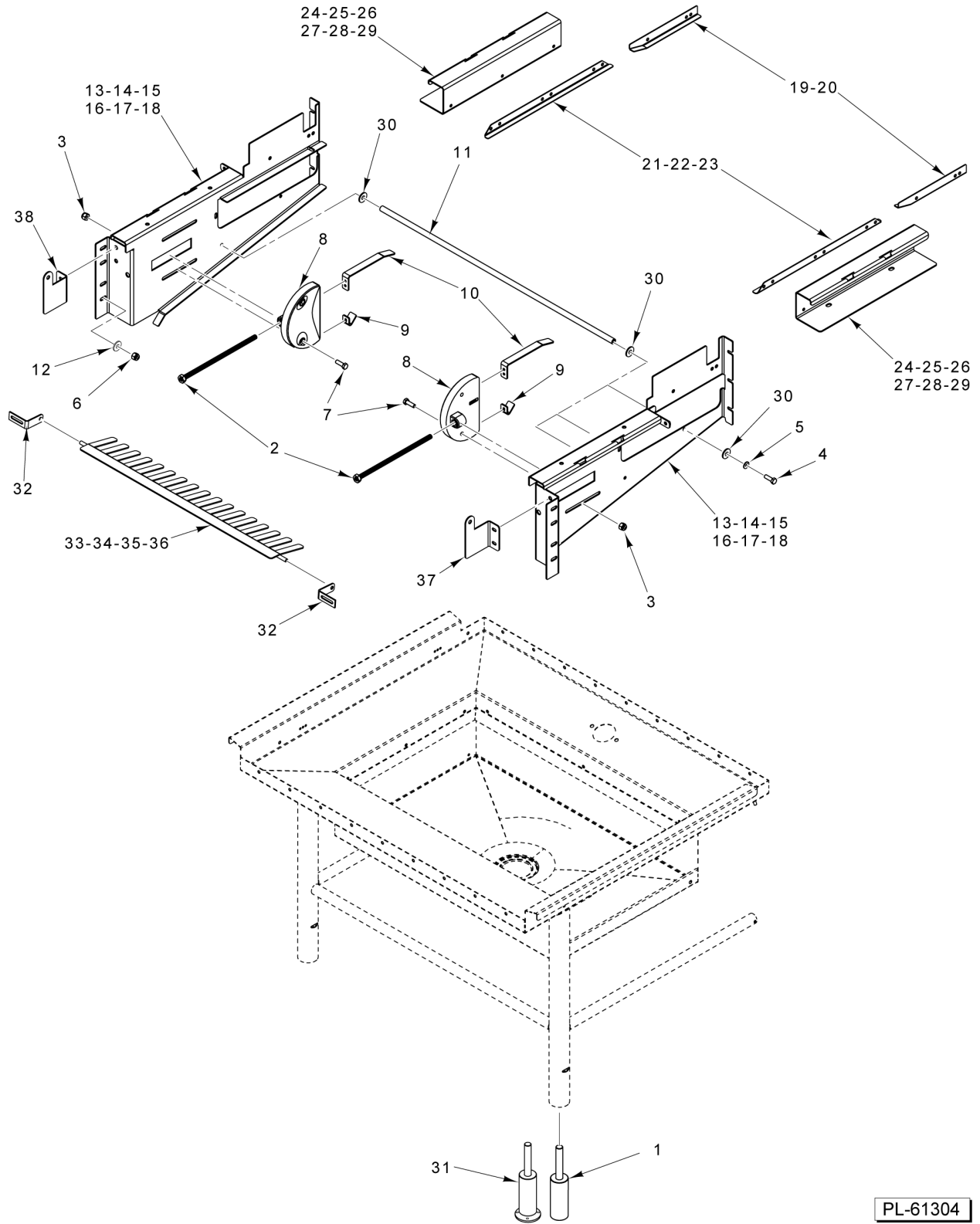
159	FILL PLUMBING (NO AUTOCLEAN) (L-R)
161	FILL PLUMBING (BASE UNIT) (L-R)
163	CHEMICAL PUMP (DELIME)
165	PANELS AND TRACKS (UNLOAD-NON SPLIT)
167	PANELS AND TRACKS (UNLOAD-SPLIT)
169	DRAINS (UNLOAD)
171	DRAIN ASSEMBLY (AUTOMATIC) (UNLOAD)
173	DISH LIMIT
175	CONVEYOR TAKE-UP
177	CONVEYOR (STANDARD)
179	CONVEYOR (TYPE A)
181	CONVEYOR (INSULATED TRAYS) (POSITION 1)
183	CONVEYOR (INSULATED TRAYS) (POSITION 2)
185	CONVEYOR (TIVOLI)
187	BLOWER DRYER
189	ELECTRIC HEATER (BLOWER DRYER)
191	STEAM HEATER (BLOWER DRYER)
193	PANELS AND FAN (ADVANSYS) (STARTING S/N 271196838)
195	ADVANSYS ASSEMBLY
197	CONDENSER COIL (ADVANSYS)



PANELS (LOAD)

PANELS (LOAD)

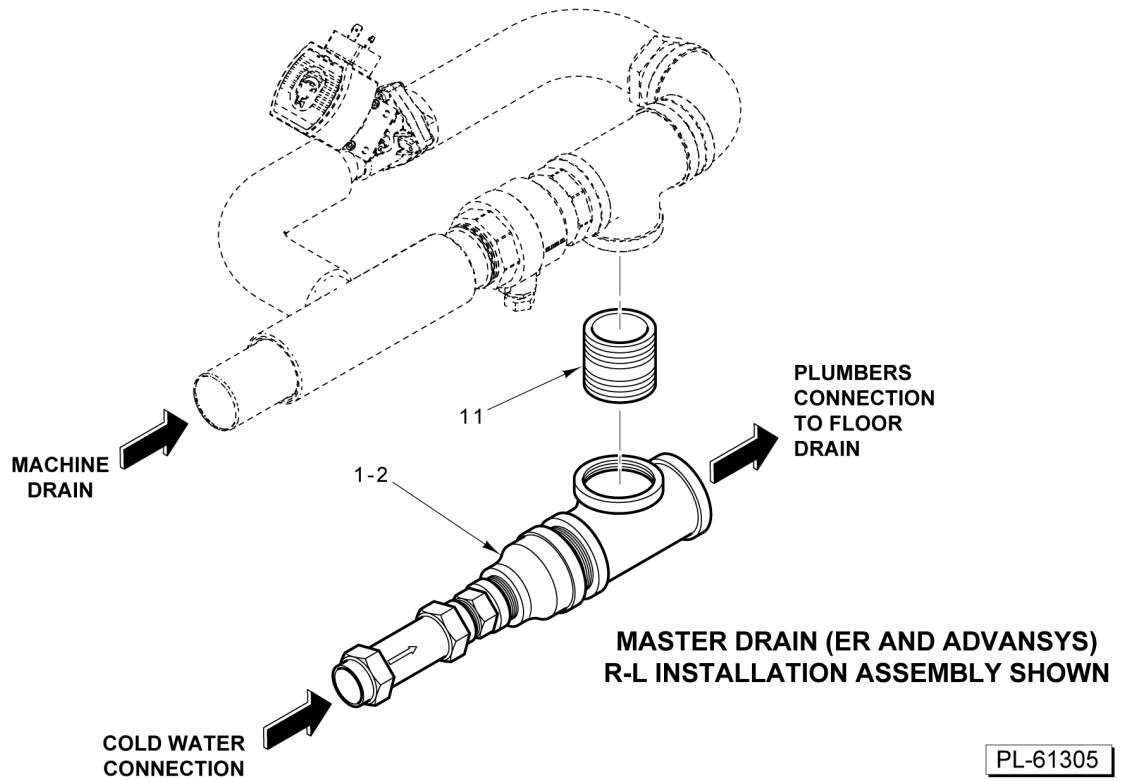
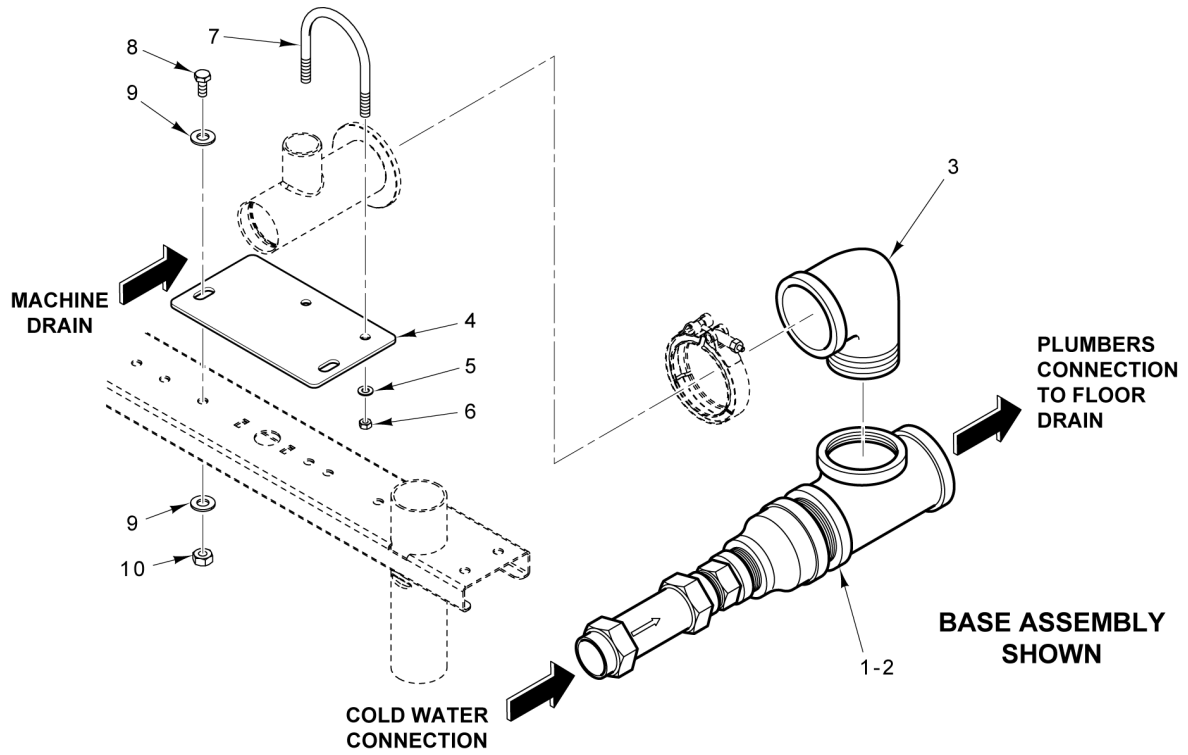
ILLUS.	PART NO.	NAME OF PART	AMT.
PL-61303			
1	00-974850-00001	Panel - Trim (Standard Height) (FT1000).....	2
2	00-974850-00002	Panel - Trim (6 In. Higher Than Standard) (FT1000).....	2
3	00-749994	Switch Assy. - Push-button (Extended) (Red).....	1
4	00-913102-00216	Kit - Push-button & Base (Green).....	1
5	00-948092	Retainer - Panel.....	8
6	00-948214-00003	Plate - End (Load Chamber) (Logo).....	1
7	00-974849	Support - Chamber.....	1
8	00-974849-00002	Support - Chamber (6 In. Higher Than Standard).....	1
9	SC-066-06	Mach. Screw 10-24 x 1/2 Phil. Truss Hd. (SST).....	4
10		Washer.....	4
11	00-562807-00006	Receiver (17 Ft. Cable) (30 In. Load).....	1
12	00-562807-00006	Receiver (17 Ft. Cable) (42 In. & 54 In. Load).....	1
13	00-562807-00005	Emitter (17 Ft. Cable) (30 In. Load).....	1
14	00-562807-00005	Emitter (17 Ft. Cable) (42 In. & 54 In. Load).....	1
15	00-562256-00001	Plate - Deflector.....	1
16	00-562257-00001	Pan - Deflector.....	1
17	00-562259	Saddle - Deflector (Front L-R, Rear R-L).....	1
18	00-974852-00001	Support - Corner (Chamber).....	1
19	00-949694	Bracket - Panel (Lower).....	2
20	00-948118-00003	Rod - Support.....	2
21	00-947916-00003	Strainer Assy.....	1
22	SC-021-40	Mach. Screw 1/4-20 x 3/4 Slotted Rd. Hd. (SST).....	6
23	00-949686	Panel - Trim (Lower).....	1
24	00-948505	Support - Platform.....	1
25	00-948439-00002	Panel - Start/Stop (Load, L-R).....	1
26	00-948439-00001	Panel - Start/Stop (Load, R-L).....	1
27	00-948507	Platform Assy. (Load).....	1
28	00-975023-00001	Panel - Side Cover (30 In.) (Side, Load) (Front R-L, Rear L-R).....	1
29	00-975023-00002	Panel - Side Cover (30 In.) (Side, Load) (Front L-R, Rear R-L).....	1
30	00-975023-00003	Panel - Side Cover (42 In.) (Side, Load) (Front R-L, Rear L-R).....	1
31	00-975023-00004	Panel - Side Cover (42 In.) (Side, Load) (Front L-R, Rear R-L).....	1
32	00-975023-00005	Panel - Side Cover (54 In.) (Side, Load) (Front R-L, Rear L-R).....	1
33	00-975023-00006	Panel - Side Cover (54 In.) (Side, Load) (Front L-R, Rear R-L).....	1
34	00-974942-00001	Panel - Trim (Lower) (Front) (30 In.) (L-R).....	1
35	00-974942-00003	Panel - Trim (Lower) (Front) (42 In.) (L-R).....	1
36	00-974942-00005	Panel - Trim (Lower) (Front) (54 In.) (L-R).....	1
37	00-974942-00007	Panel - Trim (Lower) (Front) (30 In.) (R-L).....	1
38	00-974942-00009	Panel - Trim (Lower) (Front) (42 In.) (R-L).....	1
39	00-974942-00011	Panel - Trim (Lower) (Front) (54 In.) (R-L).....	1
40	00-974942-00002	Panel - Trim (Lower) (Rear) (30 In.) (R-L).....	1
41	00-974942-00004	Panel - Trim (Lower) (Rear) (42 In.) (R-L).....	1
42	00-974942-00006	Panel - Trim (Lower) (Rear) (54 In.) (R-L).....	1
43	00-974942-00008	Panel - Trim (Lower) (Rear) (30 In.) (L-R).....	1
44	00-974942-000010	Panel - Trim (Lower) (Rear) (42 In.) (L-R).....	1
45	00-974942-000012	Panel - Trim (Lower) (Rear) (54 In.) (L-R).....	1
46	00-974852-00002	Support - Corner (Chamber) (Front R-L, Rear L-R).....	1
47	00-950079-00002	Receiver - Latch (Security) Welded to Strainer Assy.).....	1
48	00-950079	Receiver - Latch (Security) (Welded to Sump).....	1
49	00-950237	Bracket - Panel Cover.....	4
50	00-948729	Curtain, Splash, 4-Ply (Standard Height).....	2
51	00-948729-00002	Curtain, Splash, 4-Ply (6 In. Higher Than Standard).....	2
52	00-950028	Curtain (Security) (Standard Height).....	1
53	00-950028-00002	Curtain (Security) (6 In. Higher Than Standard).....	1
54	00-948752	Bracket - Curtain.....	1
55	00-950032-00001	Bracket - Curtain (Prison).....	2
56	00-120267-00004	Rod - Curtain (35-1/4 In.).....	1
57	00-950032-00002	Hanger - Curtain (Security).....	1
58	00-562086-00001	Hanger - Curtain.....	1
59	00-562086-00002	Hanger - Curtain.....	1



TRACKS (LOAD)

TRACKS (LOAD)

ILLUS.	PART NO.	NAME OF PART	AMT.
PL-61304			
1	00-948374	Foot Assy.....	2
2	00-949862	Rod - Tension.....	2
3	NS-031-29	Stop Nut 5/16-18 Hex (SST).....	4
4	SC-041-50	Cap Screw 1/4-20 x 1/2 Hex Hd. (SST).....	6
5	WL-006-17	Lockwasher 1/4 Helical (SST).....	6
6	NS-031-21	Stop Nut 1/4-20 Hex (SST).....	1
7	SC-041-13	Cap Screw 5/16-18 x 1 Hex Hd. (SST).....	4
8	00-774519-00001	Guide - Roller.....	2
9	00-948209-00001	Bracket - Roller Guide (Lower).....	2
10	00-948503	Bracket - Track Transition.....	2
11	00-948019-00011	Rod - Cross.....	3
12	WS-003-47	Washer (SST).....	1
13	00-562102-00007	Track Assy. (30 In.) (Front R-L) (Rear L-R).....	1
14	00-562102-00005	Track Assy. (42 In.) (Front R-L) (Rear L-R).....	1
15	00-562102-00006	Track Assy. (54 In.) (Front R-L) (Rear L-R).....	1
16	00-562102-00003	Track Assy. (30 In.) (Front L-R) (Rear R-L).....	1
17	00-562102-00001	Track Assy. (42 In.) (Front L-R) (Rear R-L).....	1
18	00-562102-00002	Track Assy. (54 In.) (Front L-R) (Rear R-L).....	1
19	00-562260-00001	Restraint - Track (Front R-L) (Rear L-R).....	1
20	00-562260-00002	Restraint - Track (Front L-R) (Rear R-L).....	1
21	00-562246-00001	Restraint - Track (30 In.).....	2
22	00-562246-00002	Restraint - Track (42 In.).....	2
23	00-562246-00003	Restraint - Track (54 In.).....	2
24	00-562250-00001	Track Assy. (30 In.).....	2
25	00-562250-00002	Track Assy. (42 In.).....	2
26	00-562250-00003	Track Assy. (54 In.).....	2
27	00-562399-00001	Track Assy. (30 In.) (Security).....	2
28	00-562399-00002	Track Assy. (42 In.) (Security).....	2
29	00-562399-00003	Track Assy. (54 In.) (Security).....	2
30	WS-017-06	Washer (SST).....	AR
31	00-949980	Foot Assy. - Flanged (Set of 2).....	AR
32	00-892617	Bracket - Finger Mounting.....	2
33	00-949606	Finger Weldment (Standard).....	1
34	00-950087	Finger Weldment (Type A).....	1
35	00-950089	Finger Weldment (Cross Rod Conveyor).....	1
36	00-950095	Finger Weldment (10 Link Conveyor).....	1
37	00-948388-00002	Bracket - Pivot (Platform).....	1
38	00-948388	Bracket - Pivot (Platform).....	1

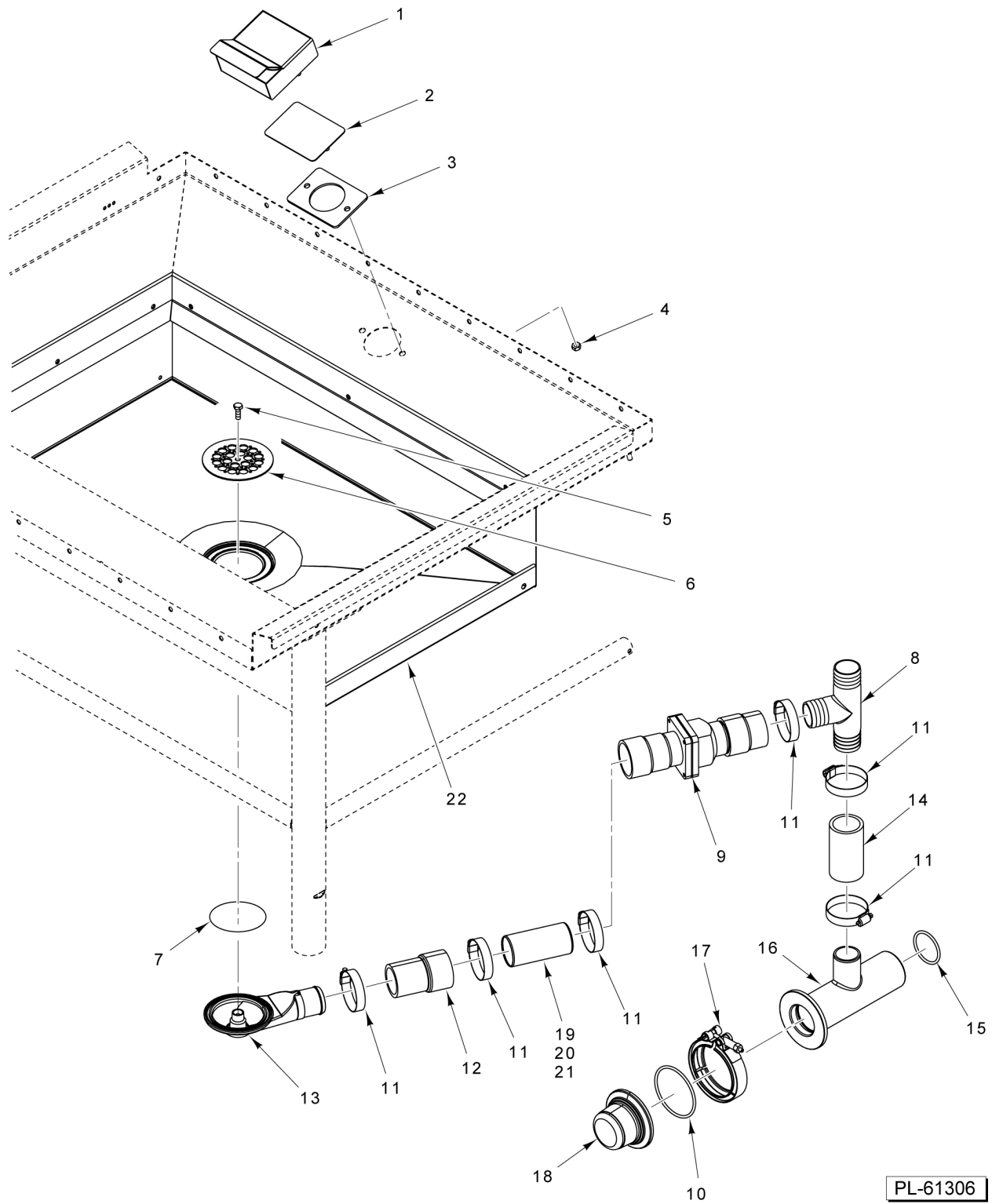


PL-61305

DRAIN TEMPERING VALVE KIT

DRAIN TEMPERING VALVE KIT

ILLUS.	PART NO.	NAME OF PART	AMT.
PL-61305			
1	00-950142	Kit - Drain Tempering Valve (Incls. Items 2 thru 11).....	1
2	00-950137	Valve Assy. (Drain Water Tempering).....	1
3	FP-015-36	Elbow - Pipe 2 x 90 Deg. Street.....	1
4	00-950143	Bracket - Drain Support.....	1
5	WS-005-32	Washer (SST).....	6
6	NS-036-19	Stop Nut 5/16-18 Hex Special (SST).....	2
7	00-949429	U-Bolt.....	1
8	SC-041-01	Cap Screw 1/4-20 x 3/4 Hex Hd. (SST).....	2
9	WS-017-16	Washer.....	4
10	NS-031-21	Stop Nut 1/4-20 Hex (SST).....	2
11	FP-043-06	Pipe - 2 x 2 Lg. TBE (Brass).....	1

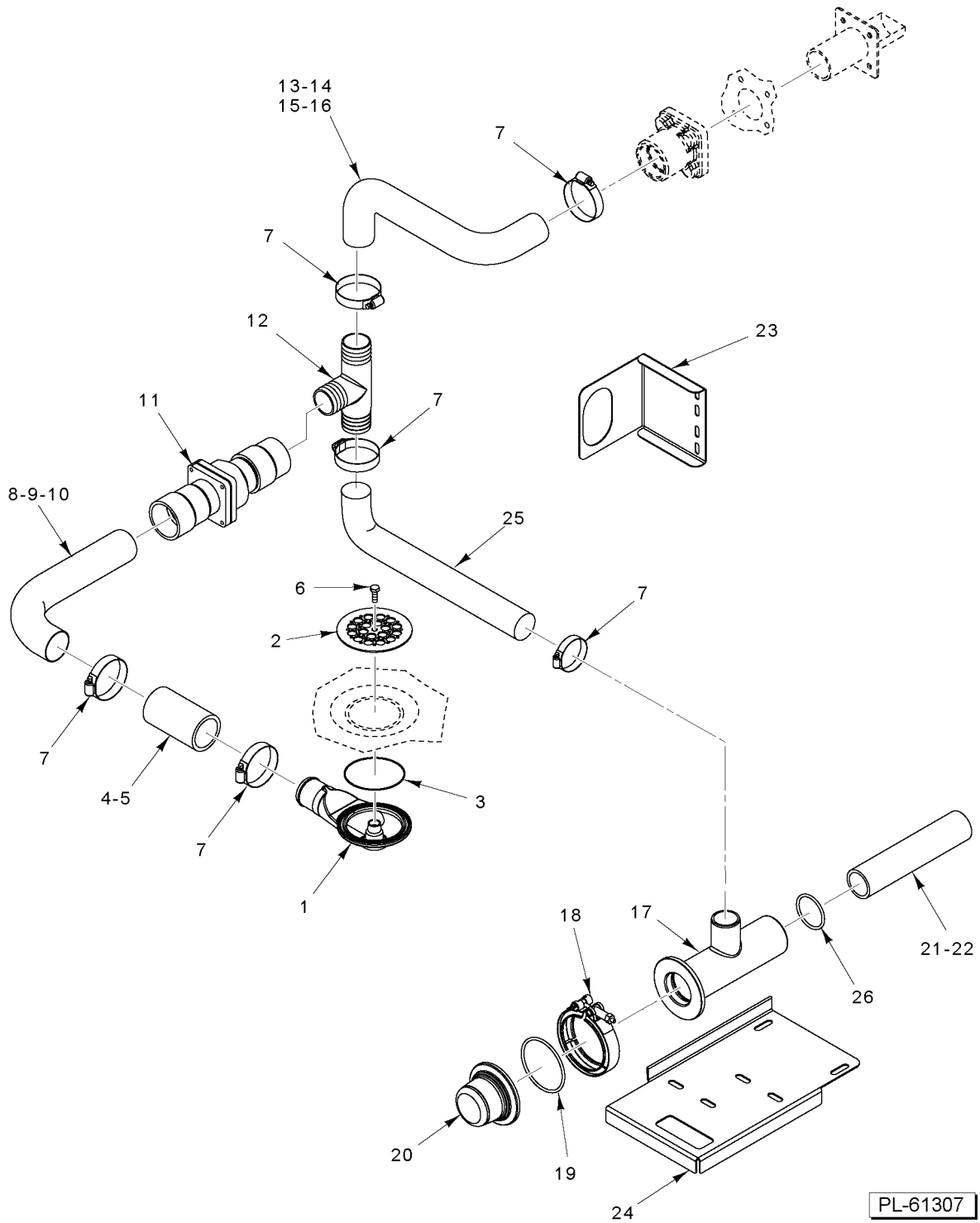


**DRAIN
(LOAD TO ASR)**

PL-61306

**DRAIN
(LOAD TO ASR)**

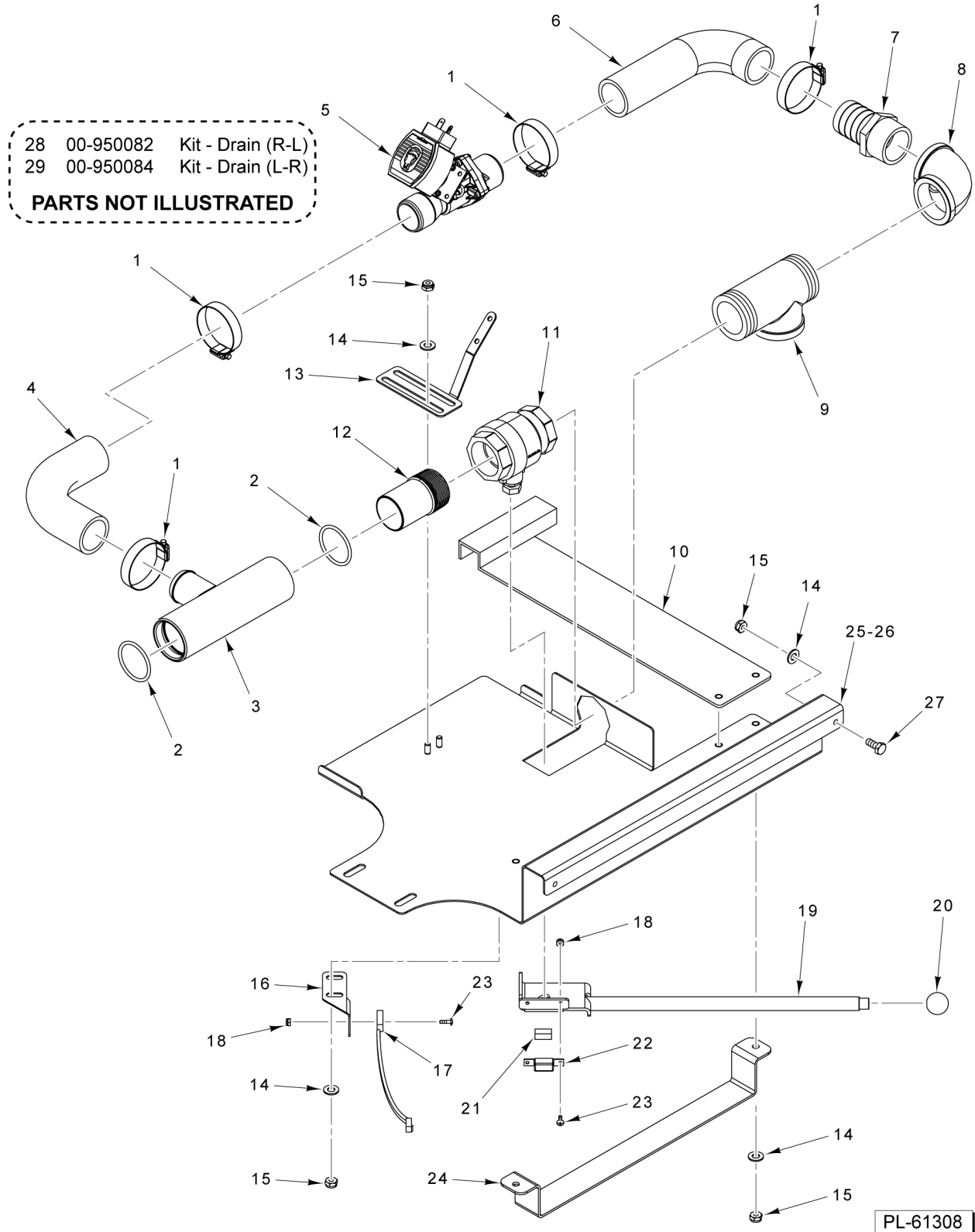
ILLUS.	PART NO.	NAME OF PART	AMT.
PL-61306			
1	00-948186-00001	Discharge Weldment (Used on machines with ASR).....	1
2	00-949258	Cover - Discharge (Used on machines without ASR).....	1
3	00-949255	Gasket - Discharge.....	1
4	NS-015-01	Nut 1/4-20 Hex (SST).....	2
5	SC-041-01	Cap Screw 1/4-20 x 3/4 Hex Hd. (SST).....	1
6	00-947920-00001	Plate - Strainer (Round).....	1
7	00-749370	Gasket - Seal 0.093 x 3.00.....	1
8	FP-091-71	Tee 1-1/2 x 1-1/2 x 1-1/2 (Barbed).....	1
9	00-949936	Valve - Check (Sump) (Incls. Item 11).....	1
10	00-067500-00021	O-Ring.....	1
11	00-538412	Clamp - Hose.....	6
12	00-949668	Hose - Adapter 1-1/2 to 1-3/4.....	1
13	00-948146	Drain Body.....	1
14	00-949132-00003	Hose - Drain (Straight).....	1
15	00-067500-00019	O-Ring.....	1
16	00-970906-00003	Tee - Drain.....	1
17	00-476098	Clamp - Discharge Tube.....	1
18	00-475927-00002	Plug - Drain Valve.....	1
19	00-948761-00007	Pipe - Drain (4.0 In.).....	1
20	00-948761-00005	Pipe - Drain (14.75 In.).....	1
21	00-948761-00009	Pipe - Drain (26.50 In.).....	1
22	00-947915-00007	Weldment - Sump Load.....	1



**DRAIN
(LOAD TO PREWASH)**

**DRAIN
(LOAD TO PREWASH)**

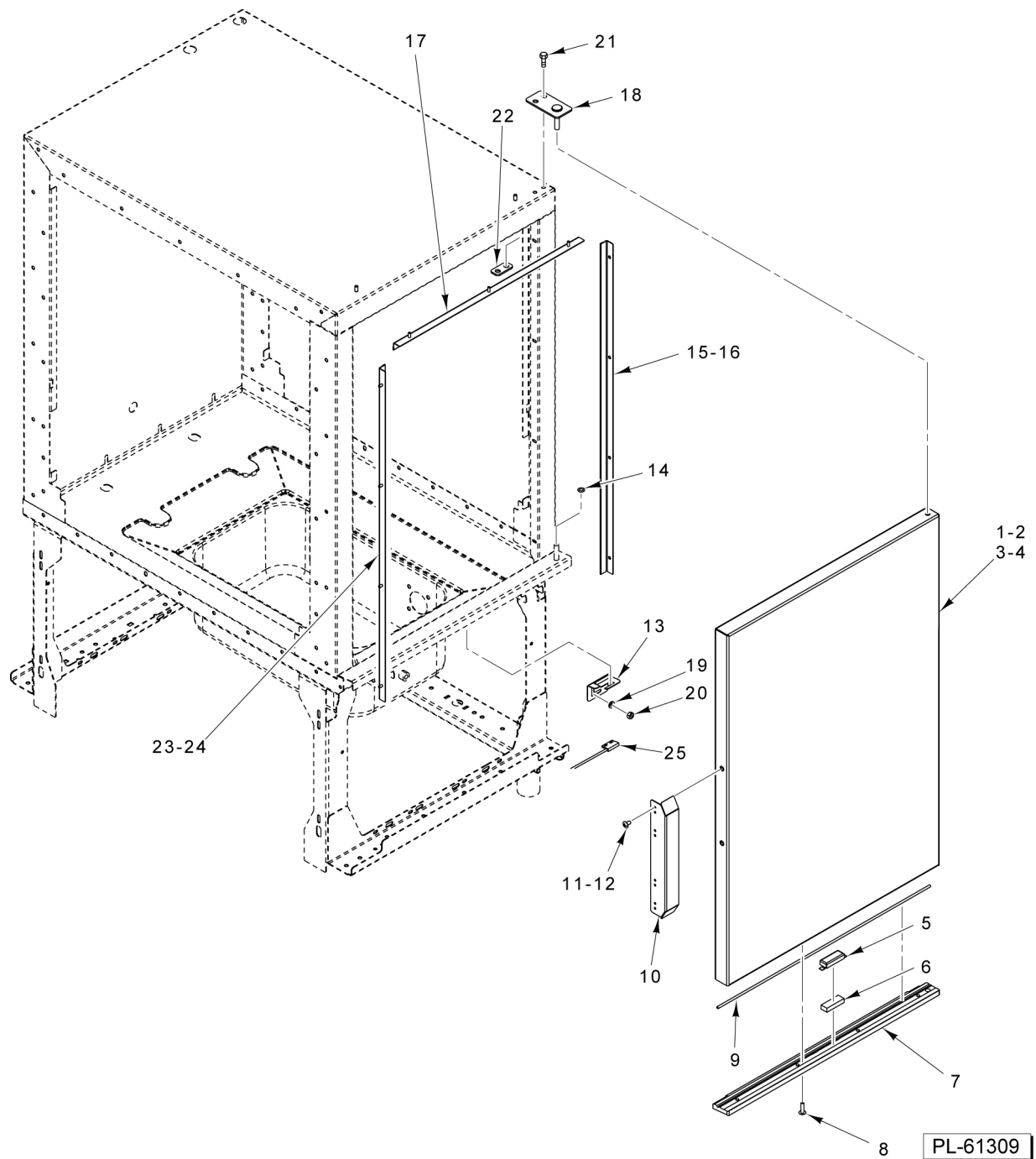
ILLUS. PL-61307	PART NO.	NAME OF PART	AMT.
1	00-948146	Drain Body.....	1
2	00-947920-00001	Plate - Strainer (Round).....	1
3	00-749370	Gasket - Seal 0.093 x 3.00.....	1
4	00-949132	Hose - Drain (Straight) (30 In. Load).....	1
5	00-949132-00002	Hose - Drain (Straight) (42 In. & 54 In. Load).....	1
6	SC-041-01	Cap Screw 1/4-20 x 3/4 Hex Hd. (SST).....	1
7	00-538412	Clamp - Hose.....	AR
8	00-949978-00001	Elbow - Drain (3-1/2 In.) (30 In. Load).....	1
9	00-949978-00002	Elbow - Drain (14-1/8 In.) (42 In. Load).....	1
10	00-949978-00003	Elbow - Drain (26 In.) (54 In. Load).....	1
11	00-949936	Valve - Check.....	1
12	FP-091-71	Tee 1-1/2 x 1-1/2 x 1-1/2 (Barbed).....	1
13	00-949938-00001	Hose - Prewash (Overflow) (R-L) (Previous Construction).....	1
14	00-563683-00001	Hose - Prewash (Overflow) (R-L) (Current Construction).....	1
15	00-949938-00002	Hose - Prewash (Overflow) (L-R) (Previous Construction).....	1
16	00-563683-00002	Hose - Prewash (Overflow) (L-R) (Current Construction).....	1
17	00-970906-00003	Tee - Drain.....	1
18	00-476098	Clamp - Discharge Tube.....	1
19	00-067500-00021	O-Ring.....	1
20	00-475927-00002	Plug - Drain Valve.....	1
21	00-948761-00007	Pipe - Drain (4.0 In.) (L-R).....	1
22	00-948761-00019	Pipe - Drain (36.75 In.) (R-L).....	1
23	00-950384	Bracket - Support.....	1
24	00-950239	Bracket - Drain Support.....	1
25	00-949944	Elbow - Drain.....	1
26	00-067500-00019	O-Ring.....	1



**DRAIN ASSEMBLY
 (AUTOMATIC) (LOAD)**

**DRAIN ASSEMBLY
(AUTOMATIC) (LOAD)**

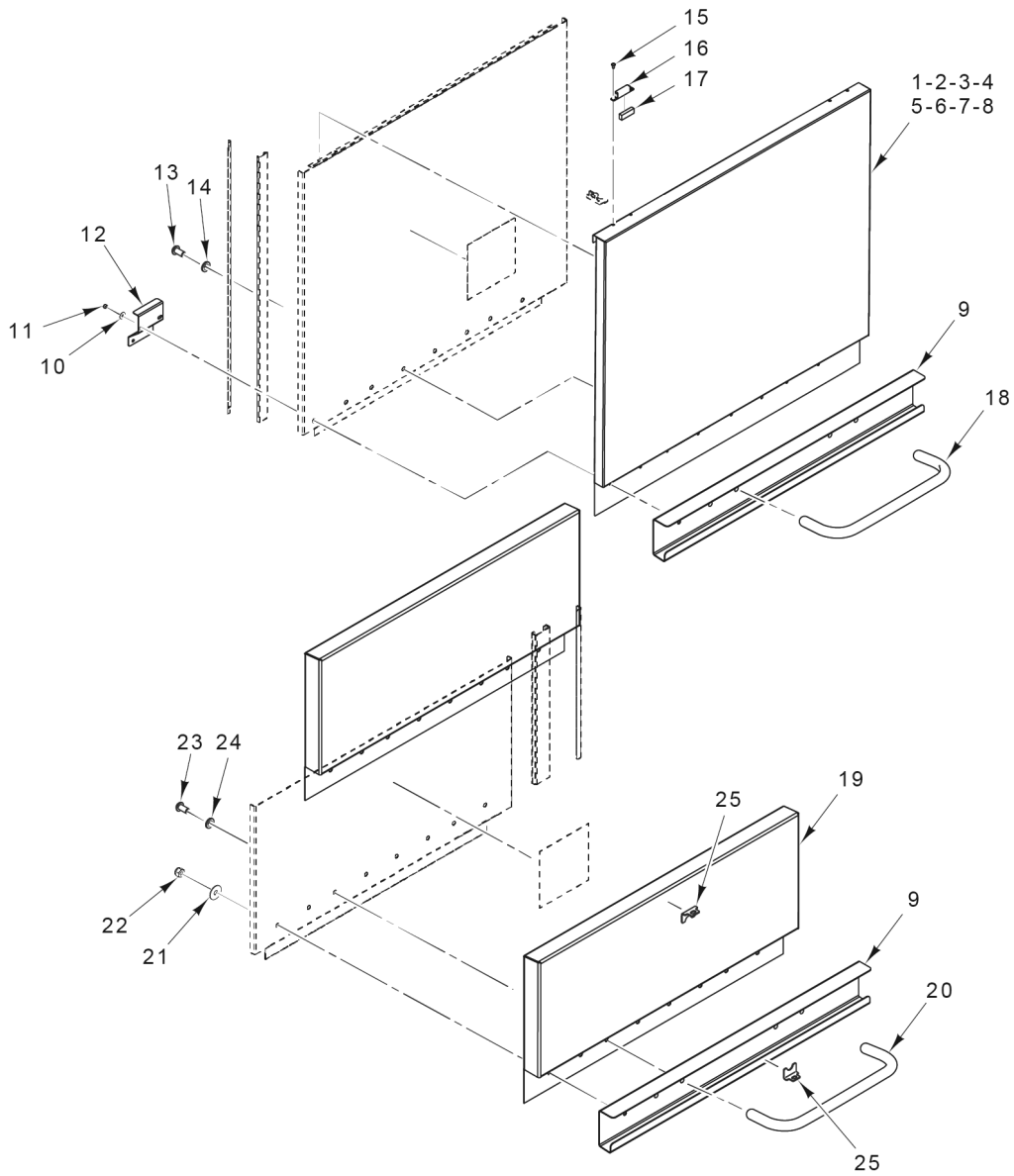
ILLUS.	PART NO.	NAME OF PART	AMT.
PL-61308			
1	00-538412	Clamp - Hose.....	4
2	00-067500-00019	O-Ring.....	2
3	00-970906	Tee - Drain.....	1
4	00-949133	Hose - Drain (Elbow).....	1
5	00-948635	Valve - Drain (Automatic).....	1
6	00-949916	Hose - Elbow.....	1
7	FP-091-66	Fitting - Hose Barb.....	1
8	FP-015-32	Elbow - Pipe 1-1/2 x 90 Deg. (Brass).....	1
9	00-974370	Tee 1-1/2 x 2 x 1-1/2 (Male-Female-Male).....	1
10	00-950109	Support - Master Drain.....	1
11	00-949070	Valve Assy.....	1
12	00-949948	Pipe 1-1/2 x 3.....	1
13	00-949866	Bracket - Drain (Automatic).....	1
14	WS-005-32	Washer (SST).....	8
15	NS-031-21	Stop Nut 1/4-20 Hex (SST).....	8
16	00-949161	Bracket - Drain Switch.....	1
17	00-473109-005-1	Switch - Interlock.....	1
18	NS-031-50	Stop Nut 6-32 Hex (SST).....	4
19	00-949706	Handle - Drain (Automatic).....	1
20	00-949423	Knob.....	1
21	00-111941	Magnet.....	1
22	00-893111	Magnet - Mount.....	1
23	SC-066-03	Mach. Screw 6-32 x 1/2 Phil. Truss Hd. (SST).....	4
24	00-949921	Bracket - Support.....	1
25	00-949937	Bracket - Drain (R-L).....	1
26	00-949937-00002	Bracket - Drain (L-R).....	1
27	SC-041-08	Cap Screw 1/4-20 x 2 Hex Hd. (SST).....	2
28	00-950082	Kit - Drain (R-L).....	AR
29	00-950084	Kit - Drain (L-R).....	AR



HINGE DOOR ASSEMBLY (ASR)

HINGE DOOR ASSEMBLY (ASR)

ILLUS. PL-61309	PART NO.	NAME OF PART	AMT.
1	00-949074-00003	Door Assy. (Standard Height) (Incls. Items 5 thru 9).....	1
2	00-949074-00004	Door Assy. (6 In. Higher Than Standard) (Incls. Items 5 thru 9).....	1
3	00-950482-00003	Door Assy. - RH Side (Standard Height) (Security) (Incls. Items 5 thru 9).....	1
4	00-950482-00004	Door Assy. - RH Side (6 In. Higher Than Std.) (Security) (Incls. Items 5 thru 9).....	1
5	00-814895	Retainer - Magnet.....	1
6	00-290160	Magnet.....	1
7	00-949089-00002	Seal - Door (Bottom).....	1
8	SC-132-83	Mach. Screw 1/4-20 x 3/4.....	4
9	00-949140-00003	Gasket - Door.....	1
10	00-562465	Handle - Door.....	1
11	SC-125-15	Mach. Screw 1/4-20 x 1/2 Phil. Truss Hd.....	4
12	00-271538-01-11	Torx Screw 1/4-20 x 1/2 (SST) (Security).....	2
13	00-948521	Bracket - Interlock Switch.....	1
14	00-067500-00004	O-Ring.....	1
15	00-950402-00001	Seal - Door (RH Side) (Standard Height).....	1
16	00-950402-00003	Seal - Door (RH Side) (6 In. Higher Than Standard).....	1
17	00-950401-00002	Seal - Door (Top).....	1
18	00-948533	Hinge Plate Assy.....	1
19	WL-006-17	Lockwasher 1/4 Helical (SST).....	2
20	NS-015-01	Nut 1/4-20 Hex (SST).....	2
21		Screw.....	2
22	00-950299	Bracket - Weldnut.....	1
23	00-950402-00002	Seal - Door (LH Side) (Standard Height).....	1
24	00-950402-00004	Seal - Door (LH Side) (6 In. Higher Than Standard).....	1
25	00-473109-005-2	Switch - Interlock (50 In.).....	1

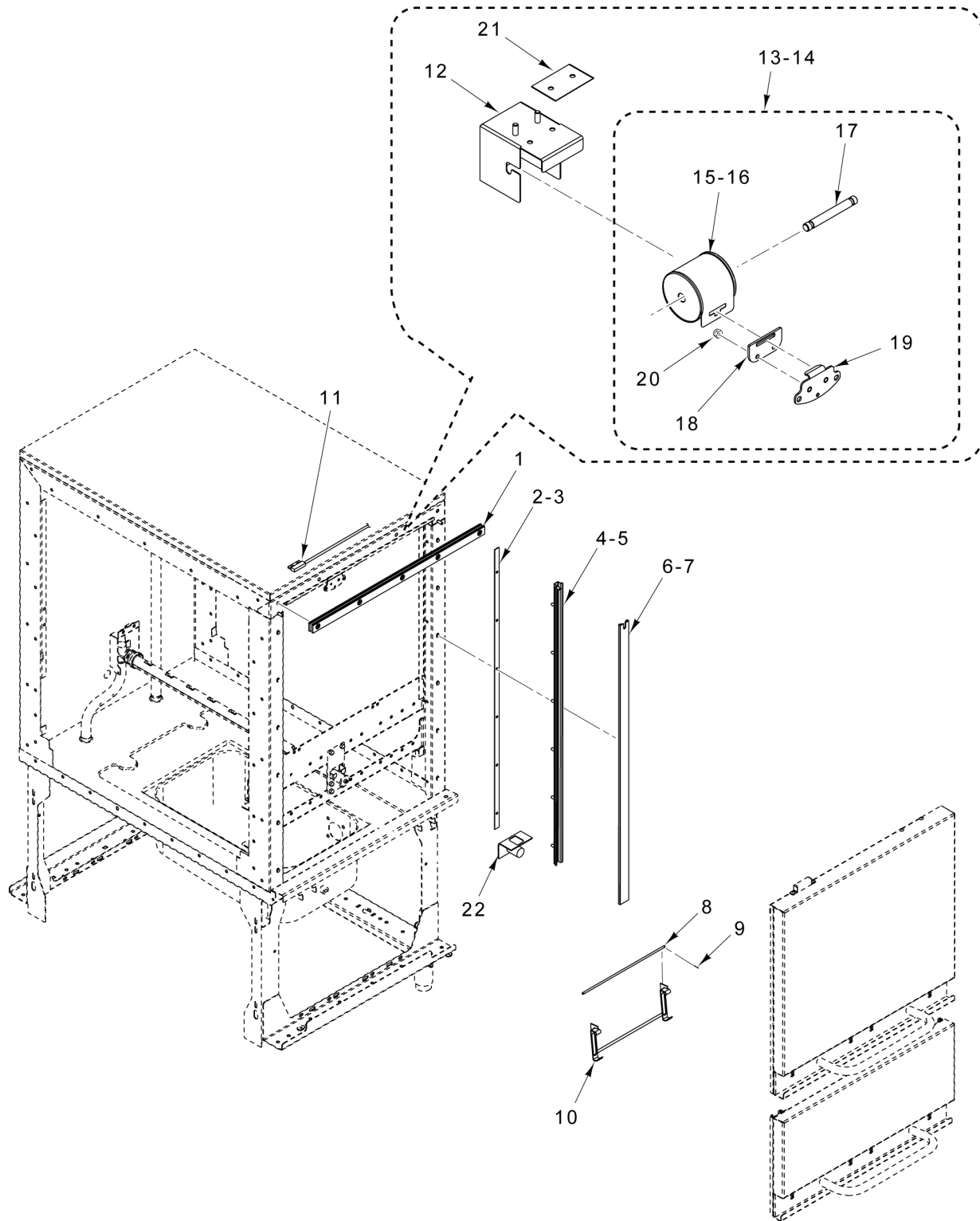


PL-61310

**SLIDING DOOR ASSEMBLY
(ASR)
(STARTING S/N 271196838)**

**SLIDING DOOR ASSEMBLY
(ASR)
(STARTING S/N 271196838)**

ILLUS. PL-61310	PART NO.	NAME OF PART	AMT.
1	00-562751-00009	Door Assy. (Upper) (R-L) (STD) (Incls. Items 9-14 & 15 thru 20).....	1
2	00-562751-00010	Door Assy. (Upper) (R-L) (HTS) (Incls. Items 9-14 & 15 thru 20).....	1
3	00-562751-00007	Door Assy. (Upper) (L-R) (STD) (Incls. Items 9-14 & 15 thru 20).....	1
4	00-562751-00008	Door Assy. (Upper) (L-R) (HTS) (Incls. Items 9-14 & 15 thru 20).....	1
5	00-563162-00003	Door Assy. (Security) (Upper) (R-L) (STD) (Incls. Item 1).....	1
6	00-563162-00004	Door Assy. (Security) (Upper) (R-L) (HTS) (Incls. Item 2).....	1
7	00-563162-00005	Door Assy. (Security) (Upper) (L-R) (STD) (Incls. Item 3).....	1
8	00-563162-00006	Door Assy. (Security) (Upper) (L-R) (HTS) (Incls. Item 4).....	1
9	00-562750-00002	Handle - Door.....	1
10	WS-003-47	Washer (SST).....	6
11	NS-047-82	Stop Nut 1/4-20 Hex (SST).....	6
12	00-562755	Bracket - Mount, Door Spring.....	2
13	SC-041-11	Cap Screw 5/16-18 x 3/4 Hex Hd. (SST).....	2
14	WS-017-01	Washer 0.328 x 0.875 x 0.062 (SST).....	2
15	SC-066-06	Mach. Screw 10-24 x 1/2 Phil. Truss Hd. (SST).....	4
16	00-950669	Retainer - Door Magnet.....	1
17	00-290160	Magnet.....	1
18	00-748221	Handle.....	1
19	00-562746-00002	Door Assy. (Lower) (Incls. Items 23 thru 29).....	1
20	00-748221	Handle.....	1
21	WS-003-47	Washer (SST).....	6
22	NS-047-82	Stop Nut 1/4-20 Hex (SST).....	6
23	SC-041-11	Cap Screw 5/16-18 x 3/4 Hex Hd. (SST).....	2
24	WS-017-01	Washer 0.328 x 0.875 x 0.062 (SST).....	2
25	00-950079	Receiver - Latch (Welded to Lower Door) (Security Only).....	2

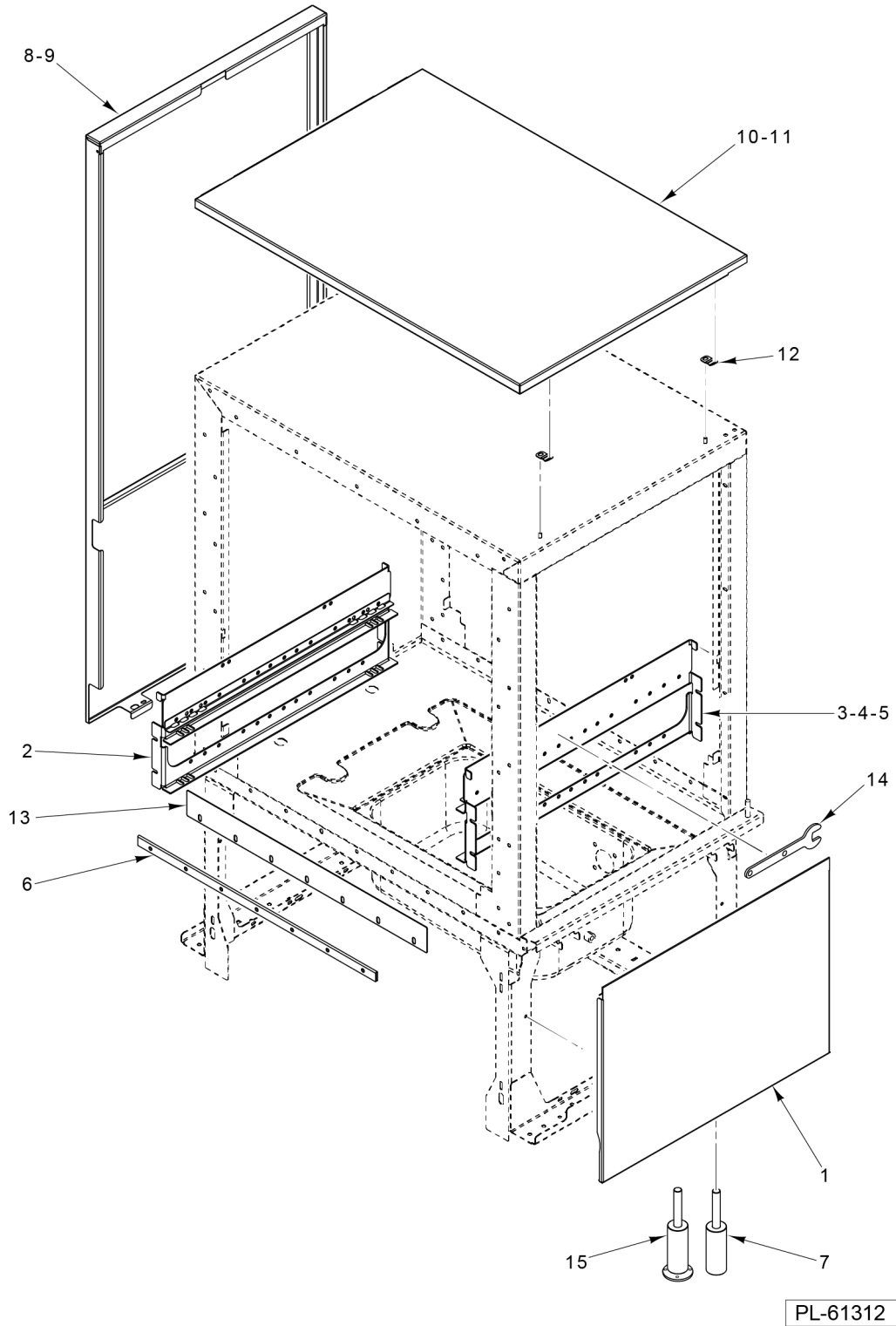


PL-61311

**SLIDING DOOR COMPONENTS
(ASR)
(STARTING S/N 271196838)**

**SLIDING DOOR COMPONENTS
(ASR)
(STARTING S/N 271196838)**

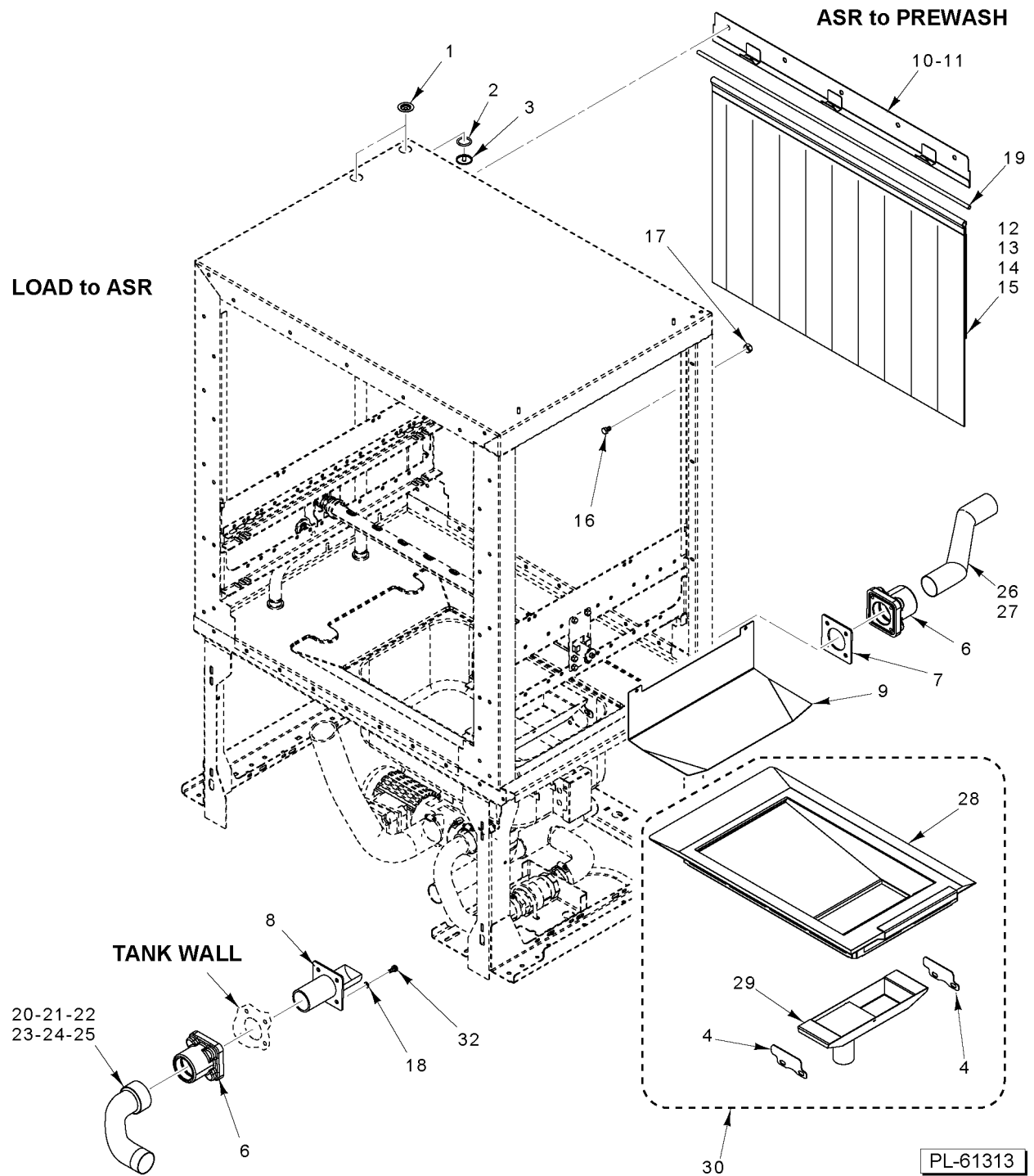
ILLUS. PL-61311	PART NO.	NAME OF PART	AMT.
1	00-563356-00002	Seal Assy. (Upper) (Incls. Washers and Gasket).....	1
2	00-562757-00001	Gasket - Door Guide (STD).....	2
3	00-562757-00002	Gasket - Door Guide (HTS).....	2
4	00-562756-00001	Rail - Door Guide (STD).....	2
5	00-562756-00002	Rail - Door Guide (HTS).....	2
6	00-562758-00001	Slider Rail - Door Guide (STD).....	2
7	00-562758-00002	Slider Rail - Door Guide (HTS).....	2
8	00-974254-00002	Rod - Door Catch.....	1
9	PC-005-02	Cotter Pin 1/16 x 1/2 (SST).....	2
10	00-476978-00004	Catch (34 In. Split Door, Lower).....	1
11	00-473109-005-5	Switch Assy.....	1
12	00-950511-00002	Bracket - Spring Spool (Top Front Studs).....	1
13	00-950497-00003	Spring Assy. (Door) (STD) (Incls. Items 18 & 20 thru 23).....	1
14	00-950497-00004	Spring Assy. (Door) (HTS) (Incls. Items 19 thru 23).....	1
15	01-245278-00002	Spring - Door (STD).....	1
16	01-245278-00003	Spring - Door (HTS).....	1
17	01-245281-00001	Axle.....	1
18	00-950616-00002	Back Plate - End.....	1
19	00-950617-00002	End Plate.....	1
20	NS-031-15	Stop Nut 10-24 Hex (SST).....	2
21	00-974218	Plate - Backing, Spring, Door, Vertical.....	1
22	00-562764	Stop - Chamber Seal.....	2



**PANELS AND TRACKS
(ASR)
(STARTING S/N 271196838)**

**PANELS AND TRACKS
(ASR)
(STARTING S/N 271196838)**

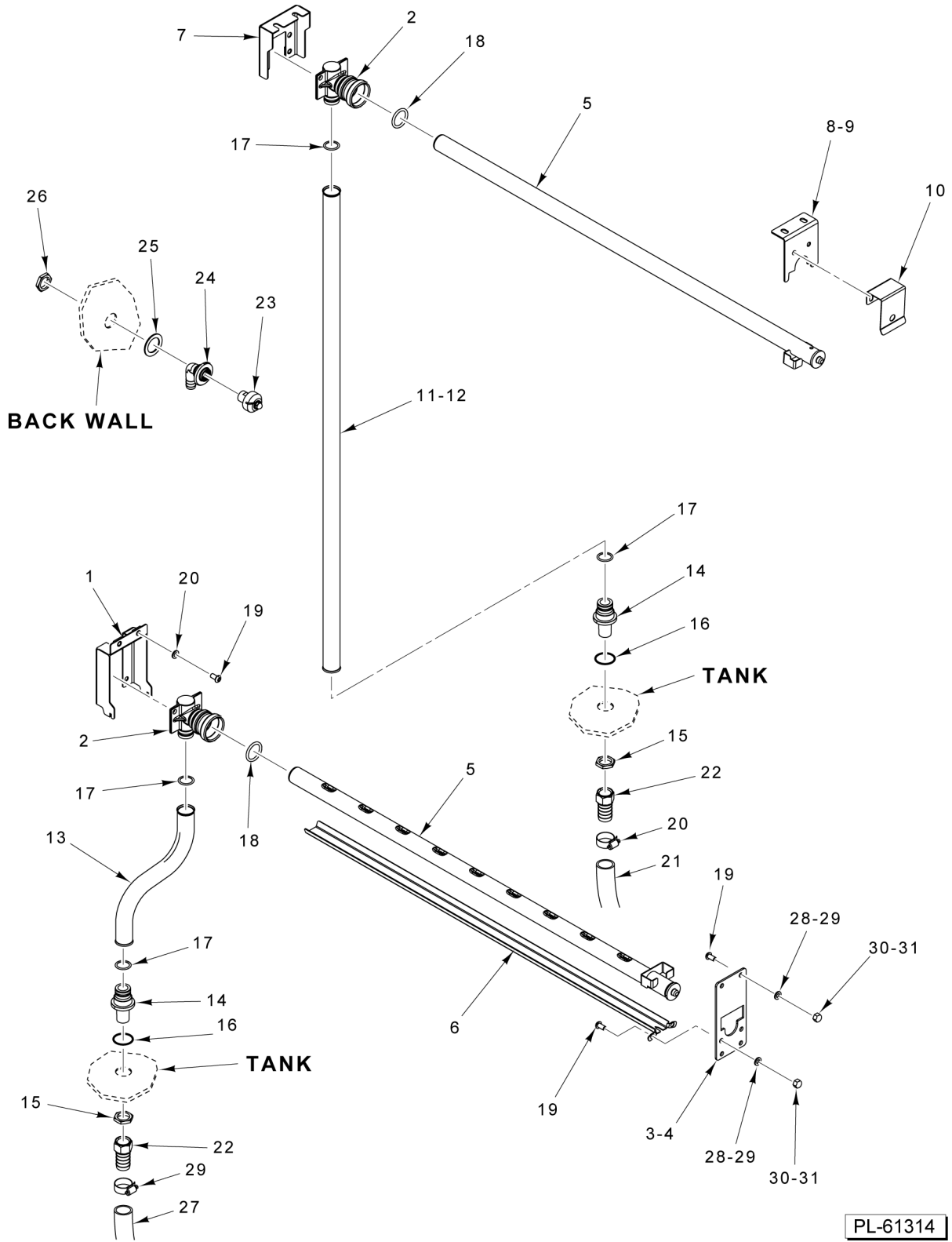
ILLUS.	PART NO.	NAME OF PART	AMT.
PL-61312			
1	00-948510-00001	Panel - Trim (Front).....	1
2	00-948309-00005	Track Assy. (ASR Section) (Rear, All machines).....	1
3	00-948309-00005	Track Assy. (ASR Section) (Front, Hinged door machines).....	1
4	00-563160-00001	Track Assy. (ASR Section) (Front, L-R, sliding door machines).....	1
5	00-563160-00002	Track Assy. (ASR Section) (Front, R-L, sliding door machines).....	1
6	00-948598-00002	Saddle.....	2
7	00-948374	Foot Assy.....	2
8	00-562258-00002	Panel - Back (Standard Height).....	1
9	00-562258-00005	Panel - Back (6 In. Higher Than Standard).....	1
10	00-948467-00004	Panel - Top (Hinged door machines).....	1
11	00-562809-00003	Panel - Top (Sliding door machines).....	1
12	00-948471	Bracket - Panel.....	2
13	00-948222-00002	Plate - Joint Backer (Used on standard conveyor only).....	1
14	00-949879	Tool - Wrench (Auto Clean Nozzles).....	1
15	00-949980	Foot Assy. - Flanged (Set of 2).....	AR



CURTAINS, FLOWBACK, MAKEUP PANS, & STRAINERS (ASR)

CURTAINS, FLOWBACK, MAKEUP PANS, & STRAINERS (ASR)

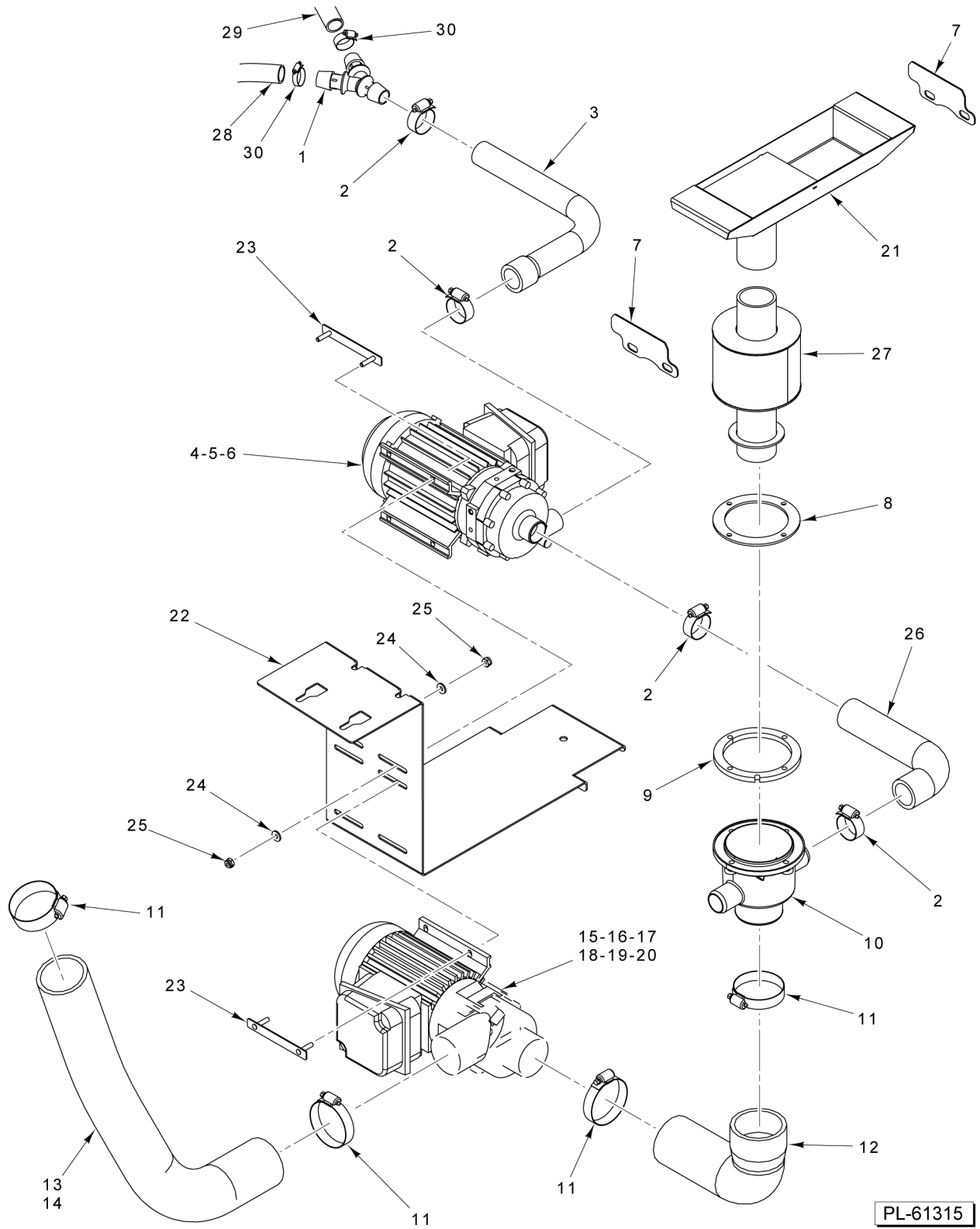
ILLUS.	PART NO.	NAME OF PART	AMT.
PL-61313			
1	00-119254	Retainer - Cap & Stud.....	2
2	00-067500-00031	O-Ring.....	2
3	00-119244	Cap & Stud Assy.....	2
4	00-950416	Bracket - Sump.....	2
5	SC-041-09	Cap Screw 5/16-18 x 1/2 Hex Hd. (SST).....	8
6	00-476130	Coupling - Pass-Thru (Flow Back Pipe) (2.031 Dia. thru Hole).....	2
7	00-949357-00001	Plate - Flowback Mounting.....	1
8	00-949977-00001	Pipe - Overflow (Scalloped).....	1
9	00-948185	Baffle.....	1
10	00-948752	Bracket - Curtain.....	1
11	00-950032-00002	Hanger - Curtain (Security).....	1
12	00-948729	Curtain, Splash, 4-Ply (Standard Height).....	1
13	00-948729-00002	Curtain, Splash, 4-Ply (6 In. Higher Than Standard).....	1
14	00-950029	Curtain (3-Ply) (Security) (Security) (Standard Height).....	1
15	00-950029-00002	Curtain (3-Ply) (Security) (6 In. Higher Than Standard).....	1
16	SC-132-76	Cap Screw 1/4-20 x 3/4.....	AR
17	NS-031-21	Stop Nut 1/4-20 Hex (SST).....	AR
18	WL-006-17	Lockwasher 1/4 Helical (SST).....	8
19	00-120267-00004	Rod - Curtain (35-1/4 In.).....	1
20	00-950008-00001	Hose - Overflow (L-R) (Previous Construction).....	1
21	00-526066-00001	Hose - Overflow (L-R) (Current Construction).....	1
22	00-950008-00002	Hose - Overflow (R-L) (Previous Construction).....	1
23	00-526066-00002	Hose - Overflow (R-L) (Current Construction).....	1
24	00-534651	Clamp - Hose (#32 Worm Drive).....	1
25	00-538412	Clamp - Hose.....	1
26	00-949385-00001	Pipe - Weldment (Flowback) (L-R).....	1
27	00-949385-00002	Pipe - Weldment (Tube - Flowback).....	1
28	00-974028	Weldment - Strainer (ASR).....	1
29	00-950111	Soil Sump Weldment.....	1
30	00-950638	Kit - Strainer (Incls. Items 4, 28, & 29).....	1



RINSE ARM AND MANIFOLD ASSEMBLY (ASR)

RINSE ARM AND MANIFOLD ASSEMBLY (ASR)

ILLUS.	PART NO.	NAME OF PART	AMT.
PL-61314			
1	00-948162-00001	Bracket - Hub Rinse.....	1
2	00-948623-00002	Hub - Rinse.....	2
3	00-948160-00002	Bracket - Lower Arm Support (L-R, ASR Section).....	1
4	00-948160-00003	Bracket - Lower Arm Support (R-L, ASR Section).....	1
5	00-948081-00002	Tube - Wash.....	2
6	00-948161-00002	Guide - Rinse Arm.....	1
7	00-948152-00002	Bracket - Hub Rinse (Upper).....	1
8	00-948158-00002	Bracket - Rinse Arm (Upper) (L-R).....	1
9	00-948158-00001	Bracket - Rinse Arm (Upper) (R-L).....	1
10	00-948159-00001	Retainer - Rinse Arm.....	1
11	00-948082-00001	Tube - Manifold (Upper) (Standard Height).....	1
12	00-948082-00002	Tube - Manifold (Upper) (6 In. Higher Than Standard).....	1
13	00-948083-00001	Tube - Manifold (Lower).....	1
14	00-948546-00001	Fitting - Barbed.....	2
15	FP-030-16	Lock Nut 1/2 Pipe (Brass).....	2
16	00-949432-00002	O-Ring.....	2
17	00-067500-00078	O-Ring.....	2
18	00-067500-00031	O-Ring.....	2
19	SC-131-96	Screw.....	8
20	00-949959-00002	Hose (20 In.) (WYE to Rinse).....	1
21	00-521687	Clamp - Hose.....	2
22	FP-091-72	Fitting.....	2
23	01-297394-00001	Nozzle (Cleaning Tank).....	2
24	01-533129	Coupling - Angled.....	2
25	00-949935	Seal.....	2
26	FP-030-16	Lock Nut 1/2 Pipe (Brass).....	2
27	00-949959-00001	Hose (25 In.) (WYE to Rinse).....	1
28	WL-006-17	Lockwasher 1/4 Helical (SST).....	8
29	WS-017-08	Washer (0.328 x 0.625 x 0.062) (SST) (Security).....	8
30	NS-025-04	Crown Nut 1/4-20 (SST).....	8
31	00-079080	Nut (Security).....	8

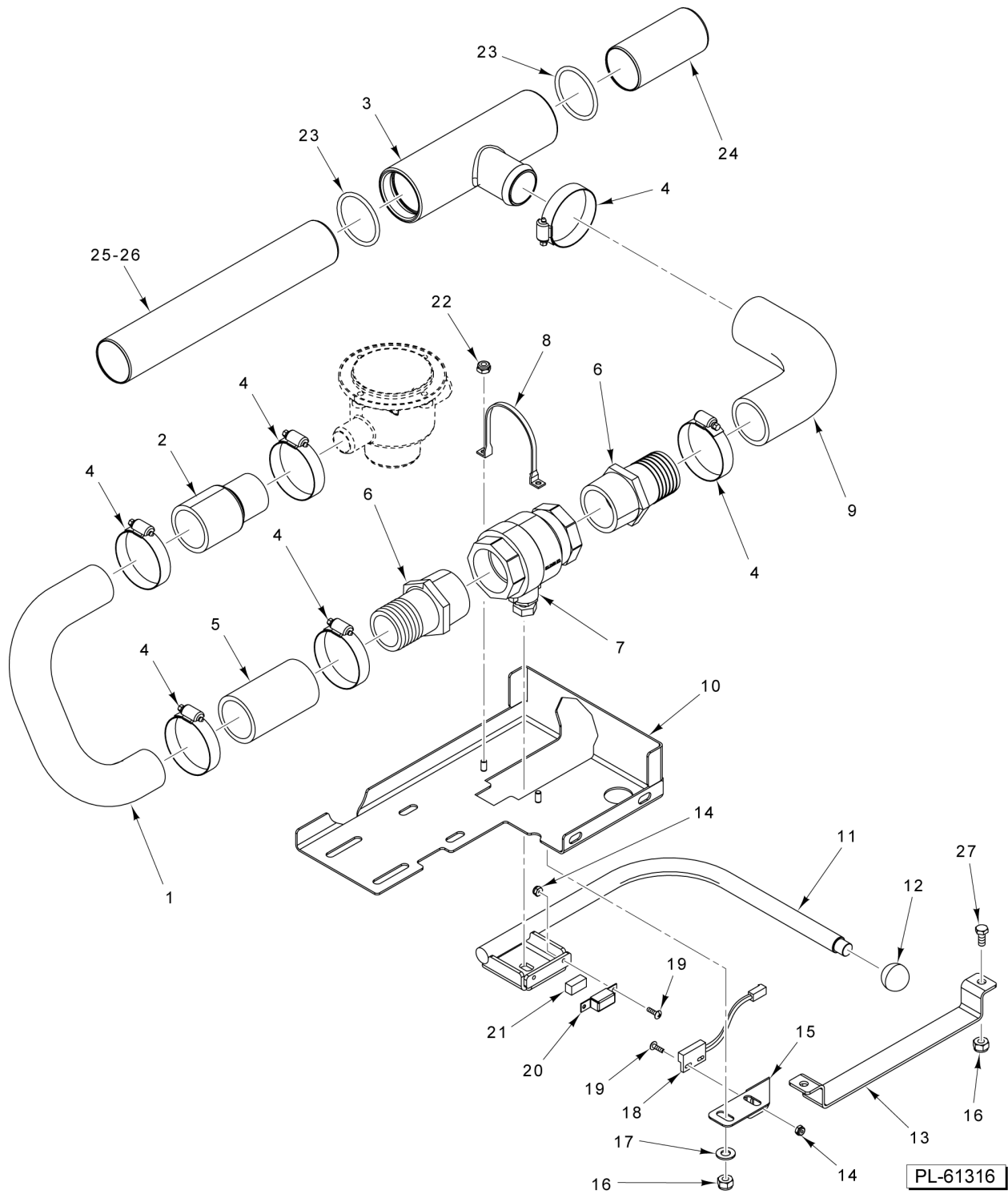


PL-61315

PUMP AND MOTOR ASSEMBLY (ASR)

PUMP AND MOTOR ASSEMBLY (ASR)

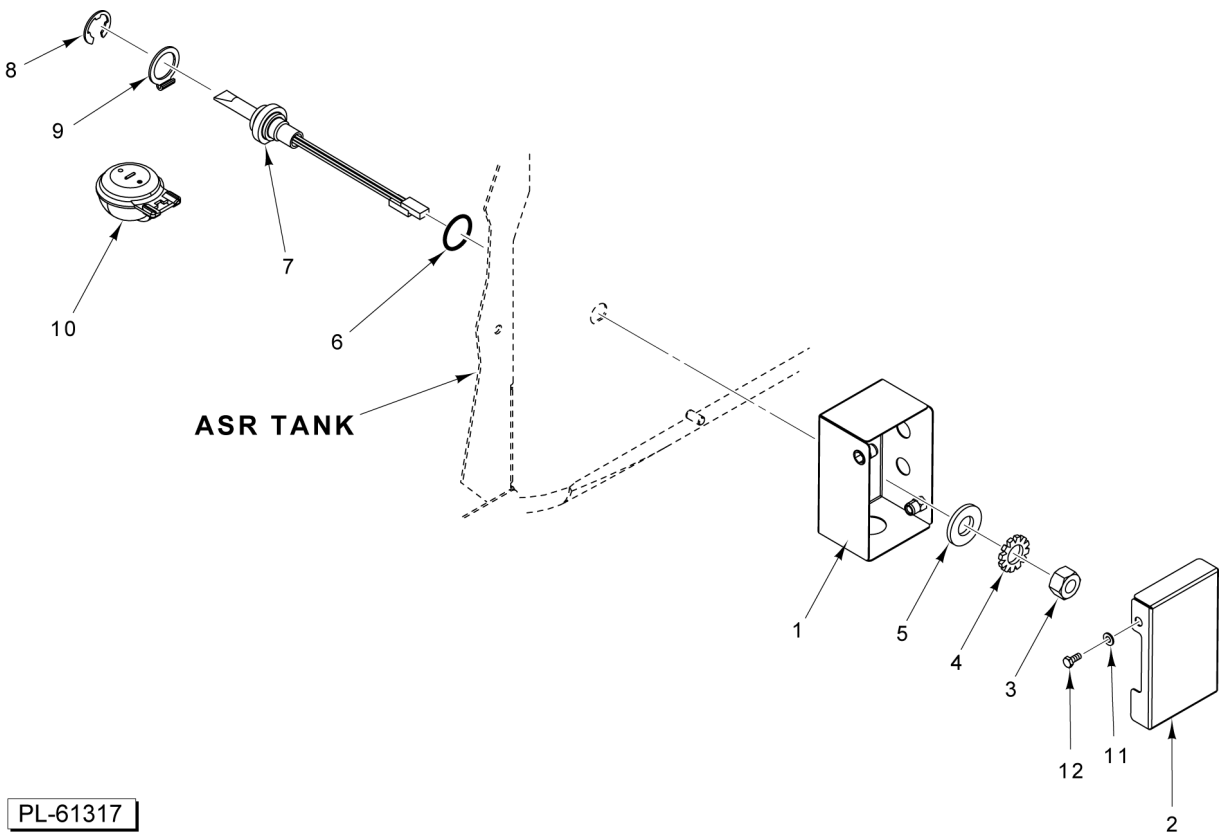
ILLUS.	PART NO.	NAME OF PART	AMT.
PL-61315			
1	FP-091-73	Fitting - WYE 3/4 (Black).....	1
2	00-521687	Clamp - Hose.....	4
3	00-949849	Hose - Outlet.....	1
4	00-947899-00001	Pump Motor Assy. (208-240/440-480 V., 60 Hz., 3 Ph.).....	1
5	00-947899-00002	Pump Motor Assy. (200-415 V., 50 Hz., 3 Ph.).....	AR
6	00-947899-00003	Pump Motor Assy. (600 V., 60 Hz., 3 Ph.).....	1
7	00-950416	Bracket - Sump.....	2
8	00-886639	Kit - Flange.....	1
9	00-948360	Gasket - Manifold.....	1
10	01-297086-00501	Drain Body (ASR).....	1
11	00-534651	Clamp - Hose (#32 Worm Drive).....	4
12	00-948034	Hose - Pump.....	1
13	00-948033-00001	Hose - Outlet (L-R).....	1
14	00-948033-00002	Hose - Outlet (R-L).....	1
15	00-947900-00001	Pump Assy. (208-240/380-480 V., 60 Hz., 3 Ph.) (L-R).....	1
16	00-947900-00002	Pump Assy. (208-240/380-480 V., 50 Hz., 3 Ph.) (L-R).....	1
17	00-947900-00003	Pump Assy. (600 V., 60 Hz., 3 Ph.) (L-R).....	1
18	00-947900-00004	Pump Assy. (208-240/380-480 V., 60 Hz., 3 Ph.) (R-L).....	1
19	00-947900-00005	Pump Assy. (208-240/380-480 V., 50 Hz., 3 Ph.) (R-L).....	1
20	00-947900-00006	Pump Assy. (600 V., 60 Hz., 3 Ph.) (R-L).....	1
21	00-950111	Soil Sump Weldment.....	1
22	00-948078-00001	Plate - Pump Motor Mount.....	1
23	00-948077-00001	Plate - Stabilizer.....	4
24	WS-019-20	Washer 0.219 x 0.375 x 0.031 (SST).....	8
25	NS-031-15	Stop Nut 10-24 Hex (SST).....	8
26	00-949522	Hose - Intake.....	1
27	00-950112	Soil Sump Weldment.....	1
28	00-949959-00001	Hose (25 In.).....	1
29	00-949959-00002	Hose (20 In.).....	1
30	00-521687	Clamp - Hose.....	2



TANK DRAIN ASSEMBLY (ASR)

TANK DRAIN ASSEMBLY (ASR)

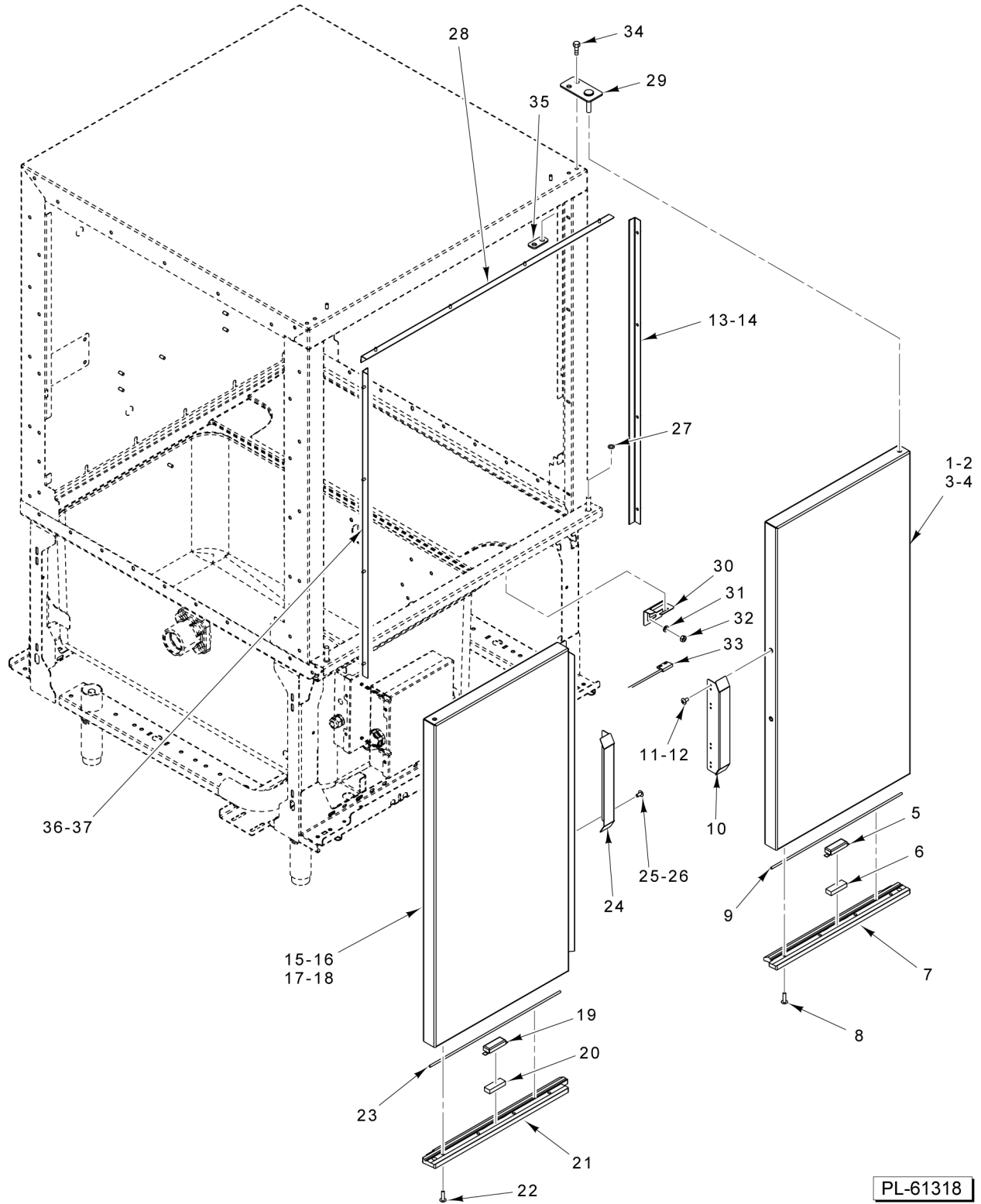
ILLUS.	PART NO.	NAME OF PART	AMT.
PL-61316			
1	00-949141	Tube - Drain.....	1
2	00-949667	Hose - Adapter 1-1/8 to 1-1/2.....	1
3	00-970906	Tee - Drain.....	1
4	00-538412	Clamp - Hose.....	6
5	00-949132-00003	Hose - Drain (Straight).....	1
6	FP-091-66	Fitting - Hose Barb.....	2
7	00-949070	Valve Assy.....	1
8	00-974839	Clamp - Drain.....	1
9	00-949133	Hose - Drain (Elbow).....	1
10	00-948758	Bracket - Drain Valve.....	1
11	00-949162	Handle - Drain.....	1
12	00-949423	Knob.....	1
13	00-949158	Support - Drain Handle.....	1
14	NS-031-50	Stop Nut 6-32 Hex (SST).....	4
15	00-949161	Bracket - Drain Switch.....	1
16	NS-031-21	Stop Nut 1/4-20 Hex (SST).....	AR
17	WS-005-32	Washer (SST).....	AR
18	00-473109-005-1	Switch - Interlock (50 In.).....	1
19	SC-066-03	Mach. Screw 6-32 x 1/2 Phil. Truss Hd. (SST).....	4
20	00-893111	Magnet - Mount.....	1
21	00-111941	Magnet.....	1
22	NS-047-82	Stop Nut 1/4-20 Hex (SST).....	2
23	00-067500-00019	O-Ring.....	2
24	00-948761-00007	Pipe - Drain (4.0 In.).....	1
25	00-948761-00006	Pipe - Drain (48.75 In.) (R-L).....	1
26	00-948761-00008	Pipe - Drain (11.0 In.) (L-R).....	1
27	SC-041-05	Cap Screw 1/4-20 x 5/8 Hex Hd. (SST).....	2



FLOAT ASSEMBLY (ASR)

FLOAT ASSEMBLY (ASR)

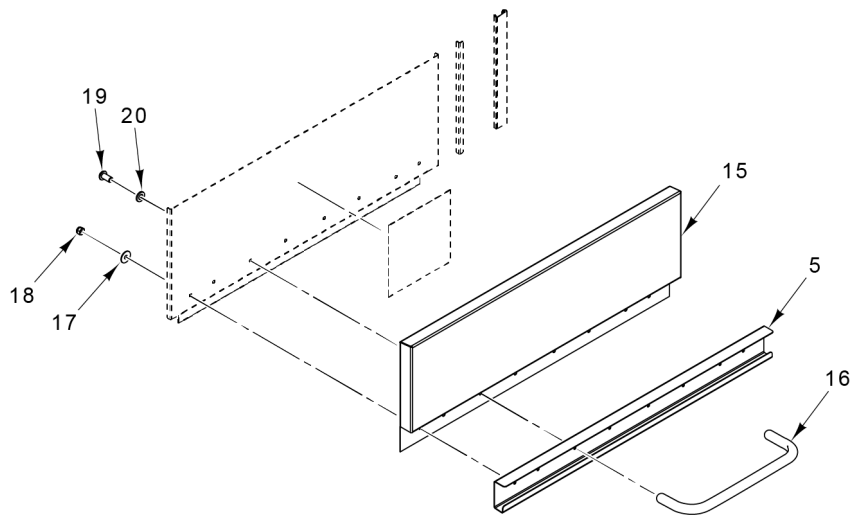
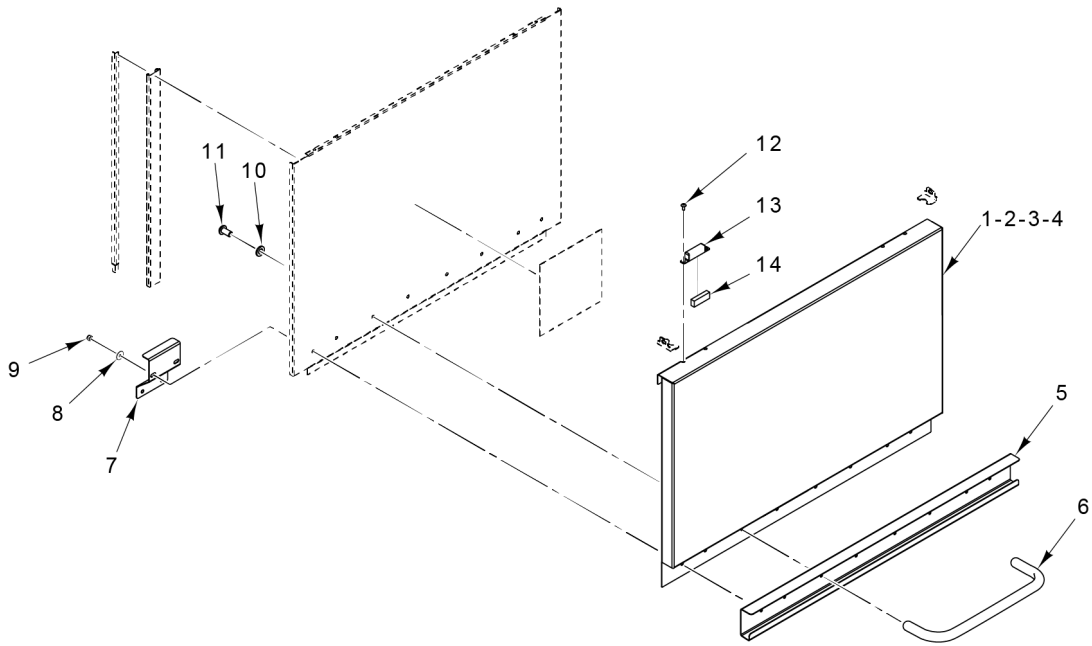
ILLUS.	PART NO.	NAME OF PART	AMT.
PL-61317			
1	00-949732	Box Assy.....	1
2	00-949735	Lid Assy.....	1
3	NS-018-28	Jam Nut 1/2-20 Hex (SST).....	1
4	WL-014-31	Lockwasher 1/2 External Shakeproof (SST).....	1
5	WS-010-40	Washer - Thrust.....	1
6	00-067500-00072	O-Ring.....	1
7	00-936547-00003	Probe & Switch Assy. (2-Wire) (Long) (2-Wire) (Long) (Incls. Items 8, 9, & 10).....	1
8	RR-010-13	Retaining Ring.....	1
9	00-112467	Retainer - Float.....	1
10	00-122674	Float Assy.....	1
11	WL-006-17	Lockwasher 1/4 Helical (SST).....	2
12	SC-041-05	Cap Screw 1/4-20 x 5/8 Hex Hd. (SST).....	2



**HINGE DOOR ASSEMBLY
(PREWASH & WASH/POWER RINSE)**

**HINGE DOOR ASSEMBLY
(PREWASH & WASH/POWER RINSE)**

ILLUS. PL-61318	PART NO.	NAME OF PART	AMT.
1	00-949074-00001	Door Assy. (Standard Height) (RH) (Incls. Items 5 thru 9).....	1
2	00-949074-00002	Door Assy. (6 In. Higher Than Standard) (RH) (Incls. Items 5 thru 9).....	1
3	00-950482-00001	Door Assy. (Standard Height) (RH) (Security) (Incls. Items 5 thru 9).....	1
4	00-950482-00002	Door Assy. (6 In. Hight Than Standard) (RH) (Security) (Incls. Items 5 thru 9).....	1
5	00-814895	Retainer - Magnet.....	2
6	00-290160	Magnet.....	2
7	00-949089-00001	Seal - Door (Bottom) (RH).....	1
8	SC-132-83	Mach. Screw 1/4-20 x 3/4.....	4
9	00-949140-00001	Gasket - Door (RH).....	1
10	00-562465	Handle - Door.....	1
11	SC-125-15	Mach. Screw 1/4-20 x 1/2 Phil. Truss Hd.....	2
12	00-271538-01-11	Torx Screw 1/4-20 x 1/2 (SST) (Security).....	2
13	00-950402-00001	Seal - Door (RH Side) (Standard Height).....	1
14	00-950402-00003	Seal - Door (RH Side) (6 In. Higher Than Standard).....	1
15	00-949075-00001	Door Assy. (Standard Height) (LH) (Incls. Items 19 thru 23).....	1
16	00-949075-00002	Door Assy. (6 In. Higher Than Standard) (LH) (Incls. Items 19 thru 23).....	1
17	00-950483-00001	Door Assy. (Standard Height) (LH) (Security) (Incls. Items 19 thru 23).....	1
18	00-950483-00002	Door Assy. (6 In. Higher Than Standard) (LH) (Security) (Incls. Items 19 thru 23).....	1
19	00-814895	Retainer - Magnet.....	1
20	00-290160	Magnet.....	1
21	00-949090	Seal - Door (Bottom) (LH).....	1
22	SC-132-83	Mach. Screw 1/4-20 x 3/4.....	4
23	00-949140-00002	Gasket - Door (LH).....	1
24	00-562465	Handle - Door.....	1
25	SC-125-15	Mach. Screw 1/4-20 x 1/2 Phil. Truss Hd.....	2
26	00-271538-01-11	Torx Screw 1/4-20 x 1/2 (SST) (Security).....	2
27	00-067500-00004	O-Ring.....	2
28	00-950401-00001	Seal - Door (Top).....	1
29	00-948533	Hinge Plate Assy.....	2
30	00-948521	Bracket - Interlock Switch.....	2
31	WL-006-17	Lockwasher 1/4 Helical (SST).....	2
32	NS-015-01	Nut 1/4-20 Hex (SST).....	2
33	00-473109-005-1	Switch - Interlock.....	2
34		Screw.....	2
35	00-950299	Bracket - Weldnut.....	2
36	00-950402-00002	Seal - Door (LH Side) (Standard Height).....	1
37	00-950402-00004	Seal - Door (LH Side) (6 In. Higher Than Standard).....	1

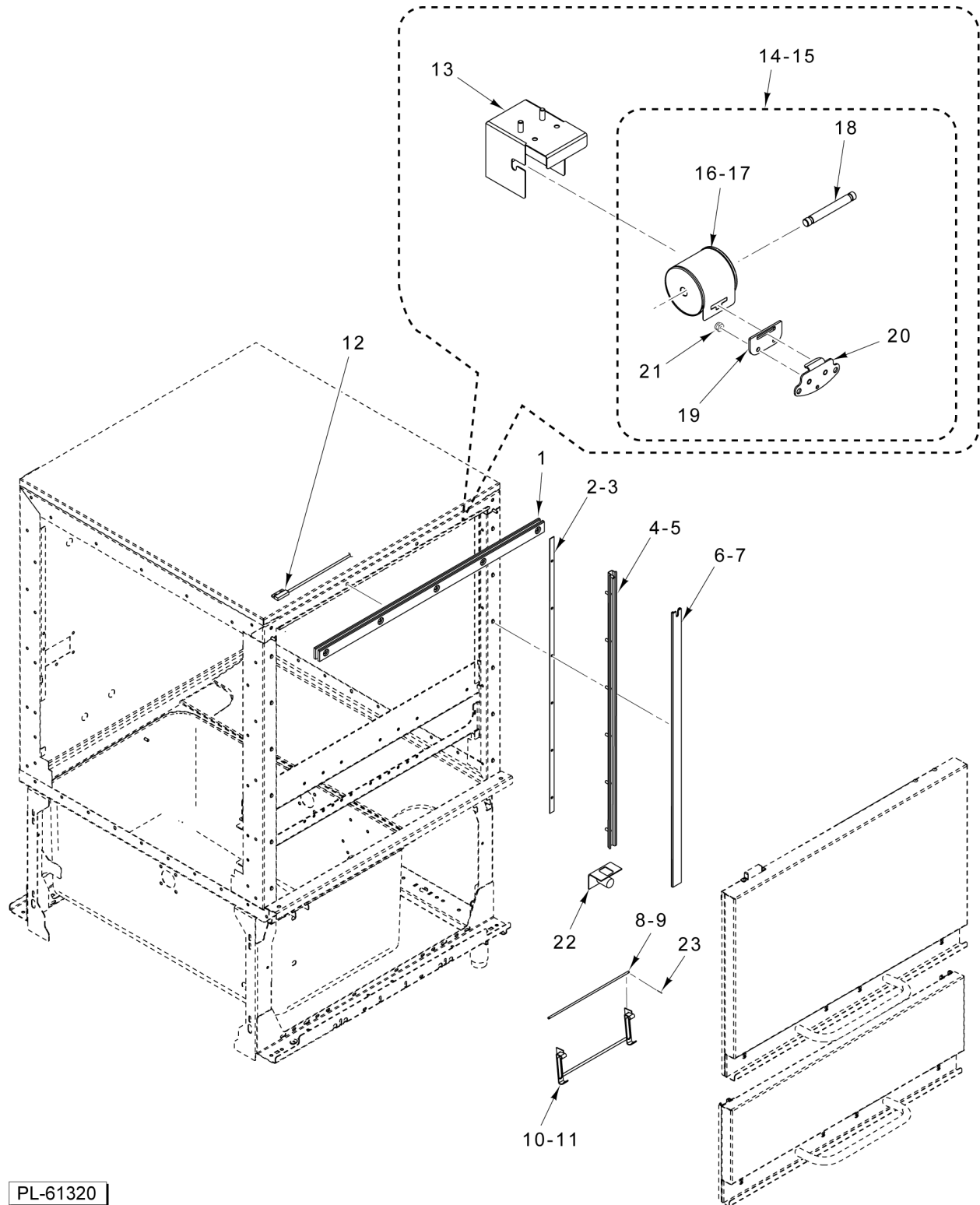


PL-61319

**SLIDING DOOR ASSEMBLY
(PREWASH & WASH/POWER RINSE)
(STARTING S/N 271196838)**

**SLIDING DOOR ASSEMBLY
(PREWASH & WASH/POWER RINSE)
(STARTING S/N 271196838)**

ILLUS. PL-61319	PART NO.	NAME OF PART	AMT.
1	00-562751-00001	Door Assy. (Upper) (STD) (Incls. Items 5 thru 14).....	1
2	00-562751-00002	Door Assy. (Upper) (HTS) (Incls. Items 5 thru 14).....	1
3	00-563162-00001	Door Assy. (Security) (Upper) (STD) (Incls. Items 1, 5 thru 14).....	1
4	00-563162-00002	Door Assy. (Security) (Upper) (STD) (Incls. Items 2, 5 thru 14).....	1
5	00-562750-00001	Handle - Door.....	1
6	00-748221	Handle.....	1
7	00-562755	Bracket - Mount, Door Spring.....	2
8	WS-003-47	Washer (SST).....	6
9	NS-047-82	Stop Nut 1/4-20 Hex (SST).....	6
10	WS-017-01	Washer 0.328 x 0.875 x 0.062 (SST).....	2
11	SC-041-11	Cap Screw 5/16-18 x 3/4 Hex Hd. (SST).....	2
12	SC-066-06	Mach. Screw 10-24 x 1/2 Phil. Truss Hd. (SST).....	4
13	00-950669	Retainer - Door Magnet.....	1
14	00-290160	Magnet.....	1
15	00-562746-00001	Door Assy. (Lower) (Incls. Items 16 thru 20).....	1
16	00-748221	Handle.....	AR
17	WS-003-47	Washer (SST).....	6
18	NS-047-82	Stop Nut 1/4-20 Hex (SST).....	6
19	SC-041-11	Cap Screw 5/16-18 x 3/4 Hex Hd. (SST).....	2
20	WS-017-01	Washer 0.328 x 0.875 x 0.062 (SST).....	2

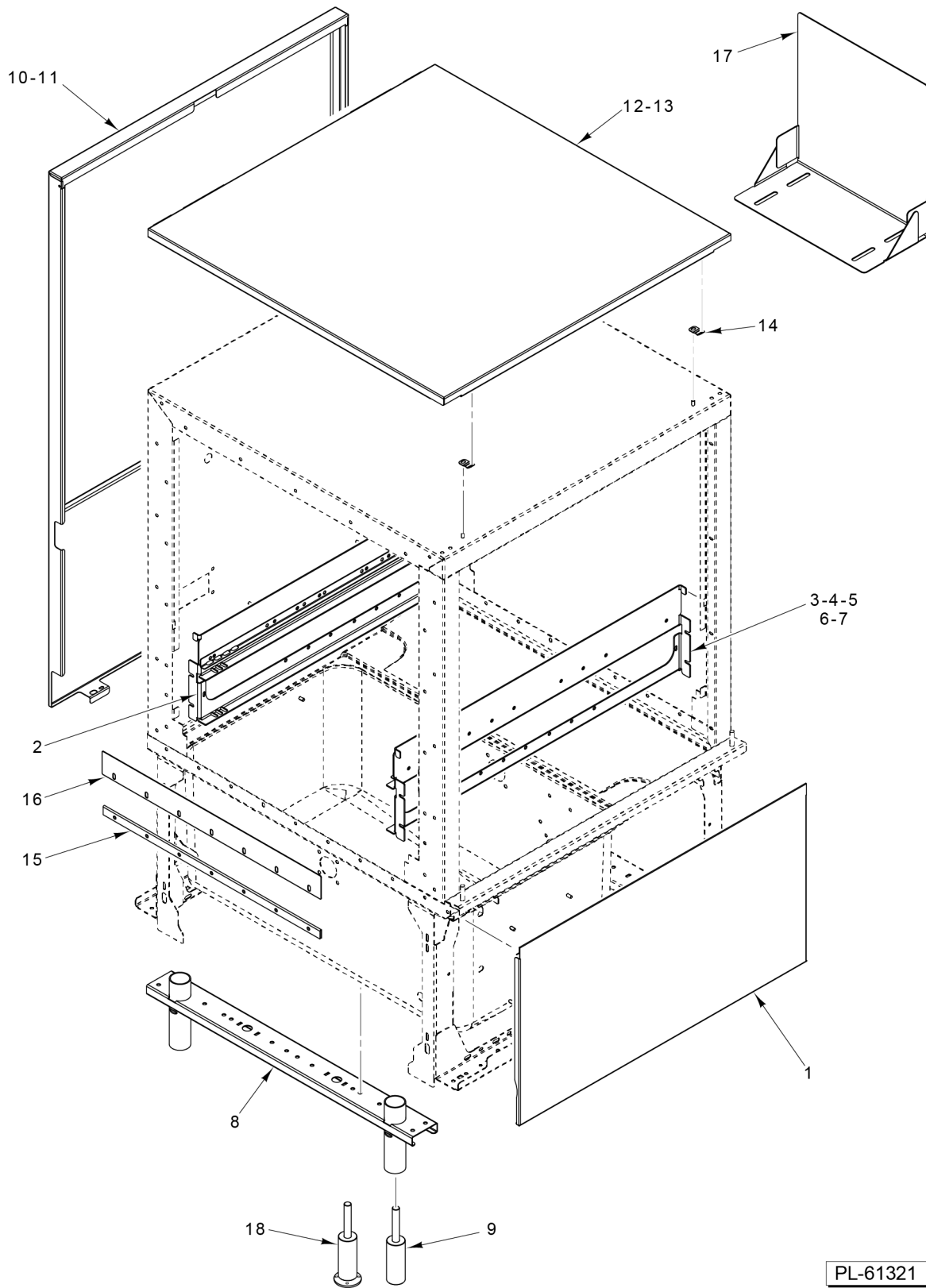


PL-61320

**SLIDING DOOR COMPONENTS
(PREWASH & WASH/POWER RINSE)
(STARTING S/N 271196838)**

**SLIDING DOOR COMPONENTS
(PREWASH & WASH/POWER RINSE)
(STARTING S/N 271196838)**

ILLUS.	PART NO.	NAME OF PART	AMT.
1	00-563356-00002	Seal Assy. (Upper) (Incls. Washers and Gasket).....	1
2	00-562757-00001	Gasket - Door Guide (STD).....	2
3	00-562757-00002	Gasket - Door Guide (HTS).....	2
4	00-562756-00001	Rail - Door Guide (STD).....	2
5	00-562756-00002	Rail - Door Guide (HTS).....	2
6	00-562758-00001	Slider Rail - Door Guide (STD).....	2
7	00-562758-00002	Slider Rail - Door Guide (HTS).....	2
8	00-974254	Rod - Door Catch (Wash/Power Rinse sections).....	1
9	00-974254-00002	Rod - Door Catch (Prewash section).....	1
10	00-476978-00002	Catch (34 In. Split Door, Lower) (Wash/Power Rinse sections).....	1
11	00-476978-00004	Catch (34 In. Split Door, Lower) (Prewash section).....	1
12	00-473109-005-5	Switch Assy.....	1
13	00-950511-00001	Bracket - Spring Spool (Top Back Studs).....	1
14	00-950497-00001	Spring Assy. (Door) (STD) (Incls. Items 17 & 19 thru 22).....	1
15	00-950497-00002	Spring Assy. (Door) (HTS) (Incls. Items 18 thru 22).....	1
16	01-245278-00004	Spring - Door (STD).....	1
17	01-245278-00005	Spring - Door (HTS).....	1
18	01-245281-00001	Axle.....	1
19	00-950616-00002	Back Plate - End.....	1
20	00-950617-00002	End Plate.....	1
21	NS-031-15	Stop Nut 10-24 Hex (SST).....	2
22	00-562764	Stop - Chamber Seal.....	2
23	PC-005-02	Cotter Pin 1/16 x 1/2 (SST).....	2

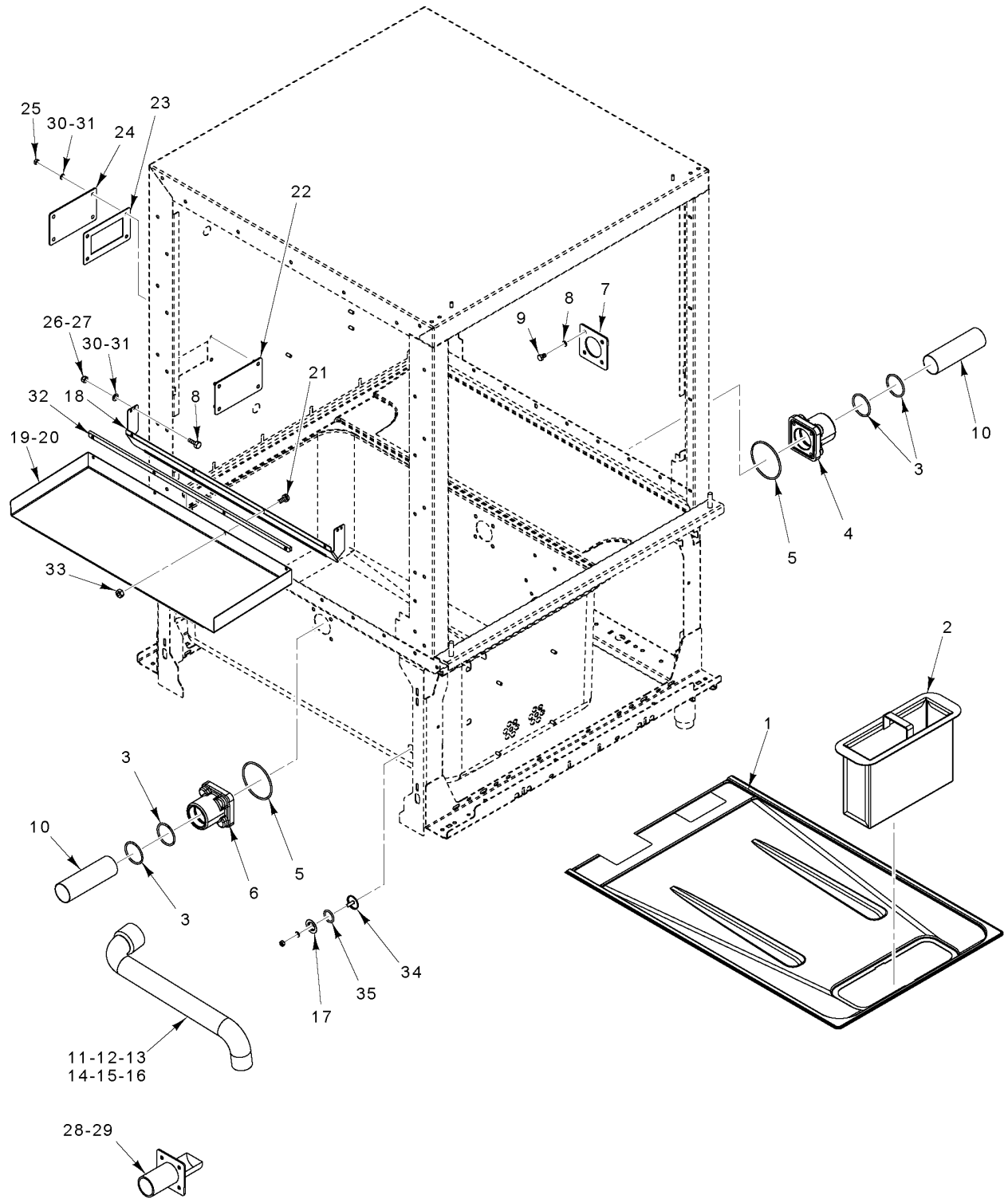


PL-61321

**PANELS AND TRACKS
(PREWASH & WASH/POWER RINSE)
(STARTING S/N 271196838)**

**PANELS AND TRACKS
(PREWASH & WASH/POWER RINSE)
(STARTING S/N 271196838)**

ILLUS. PL-61321	PART NO.	NAME OF PART	AMT.
1	00-948510-00002	Panel - Trim (Front).....	1
2	00-948309-00001	Track Assy. (Rear, All machines).....	1
3	00-948309-00001	Track Assy. (PW/W/RR/Section) (Front, Hinged door machines).....	1
4	00-563160-00003	Track Assy. (PW Section) (Front, L-R, Sliding door machines).....	1
5	00-563160-00004	Track Assy. (PW Section) (Front, R-L, Sliding door machines).....	1
6	00-563160-00005	Track Assy. (W/PR Section) (Front, L-R, Sliding door machines).....	1
7	00-563160-00006	Track Assy. (W/PR Section) (Front, R-L, Sliding door machines).....	1
8	00-948446-00002	Support - Frame (Incls. Item 9).....	1
9	00-948374	Foot Assy.....	2
10	00-562258-00001	Panel - Back (Standard Height).....	1
11	00-562258-00004	Panel - Back (6 In. Higher Than Standard).....	1
12	00-948467-00001	Panel - Top (Hinged door machines).....	1
13	00-562809-00001	Panel - Top (Sliding door machines).....	1
14	00-948471	Bracket - Panel.....	2
15	00-948598-00002	Saddle.....	1
16	00-948222-00002	Plate - Joint Backer (Used on standard conveyor only).....	1
17	00-950138	Bracket - Mounting (Chemical Dispenser).....	1
18	00-949980	Foot Assy. - Flanged (Set of 2).....	AR

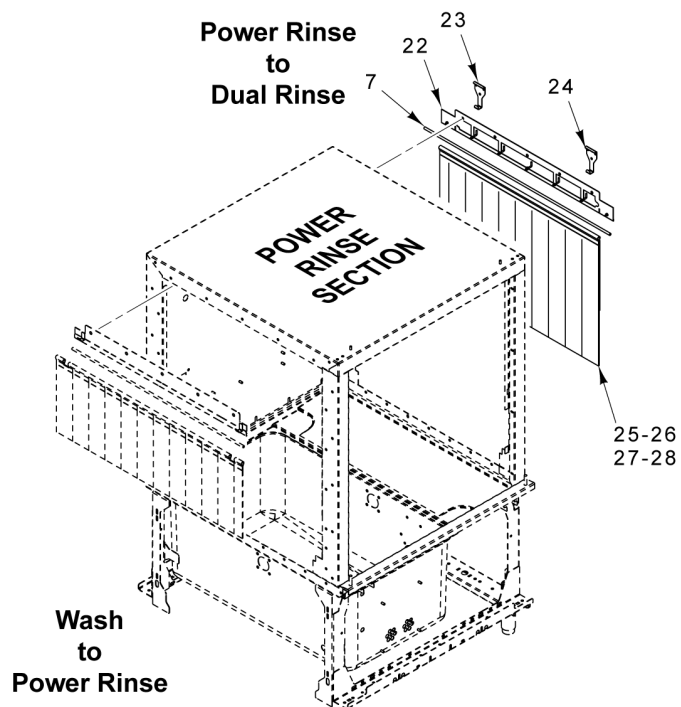
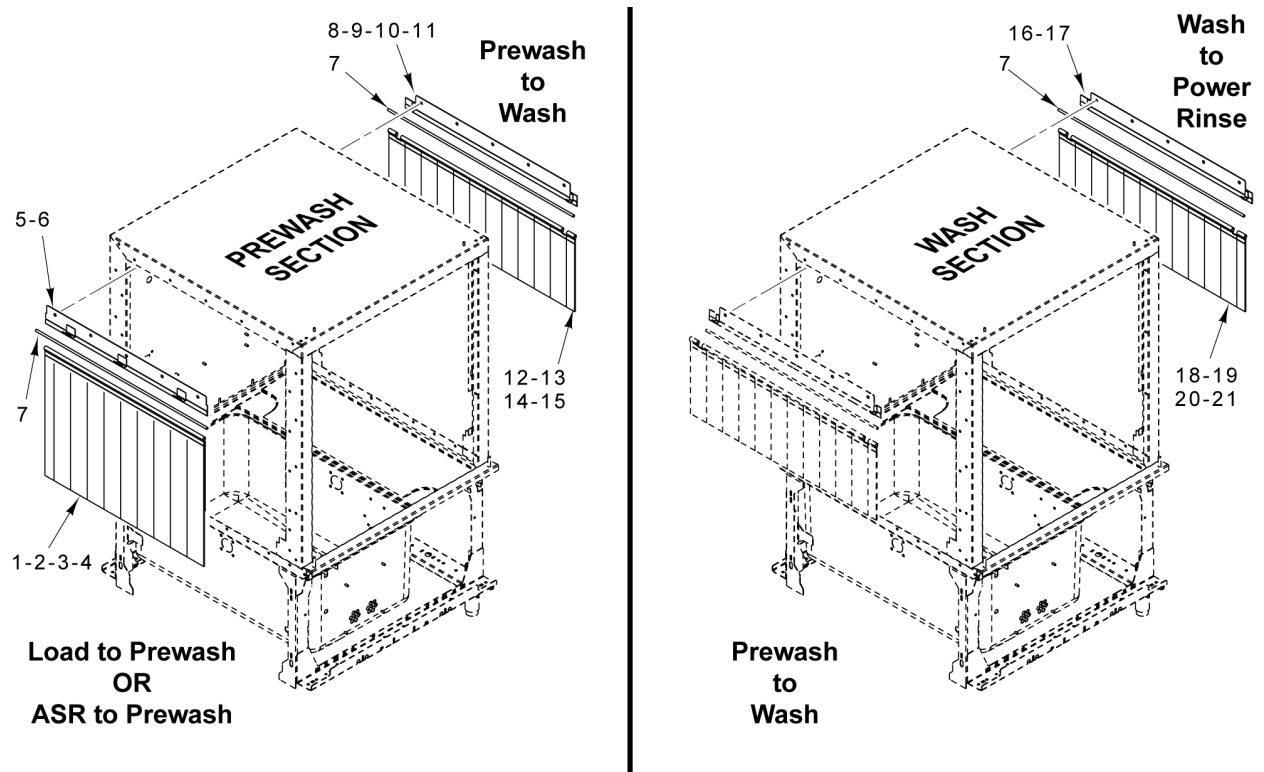


PL-61322

**FLOWBACK, MAKEUP PANS, & SCREENS
(PREWASH & WASH/POWER RINSE)**

**FLOWBACK, MAKEUP PANS, & SCREENS
(PREWASH & WASH/POWER RINSE)**

ILLUS. PL-61322	PART NO.	NAME OF PART	AMT.
1	00-949088	Strainer Assy.....	1
2	00-948683-00002	Basket - Strainer (Deep).....	1
3	00-067500-00134	O-Ring.....	4
4	00-476130	Coupling - Pass-Thru (Flow Back Pipe) (2.031 Dia. thru Hole).....	1
5	00-067500-00132	O-Ring.....	2
6	00-476130	Coupling - Pass-Thru (Flow Back Pipe) (2.031 Dia. thru Hole).....	1
7	00-949357-00001	Plate - Flowback Mounting.....	2
8	SC-132-76	Cap Screw 1/4-20 x 3/4.....	AR
9	SC-041-09	Cap Screw 5/16-18 x 1/2 Hex Hd. (SST).....	8
10	00-949471-00001	Pipe (With ASR).....	2
11	00-949938-00001	Hose - Prewash (Overflow) (Without ASR) (R-L) (Previous Construction).....	1
12	00-563683-00001	Hose - Prewash (Overflow) (Without ASR) (R-L) (Current Construction).....	1
13	00-949938-00002	Hose - Prewash (Overflow) (Without ASR) (L-R) (Previous Construction).....	1
14	00-563683-00002	Hose - Prewash (Overflow) (Without ASR) (L-R) (Current Construction).....	1
15	00-534651	Clamp - Hose (#32 Worm Drive).....	1
16	00-538412	Clamp - Hose.....	1
17	00-119254	Retainer - Cap & Stud.....	AR
18	00-562256-00001	Plate - Deflector.....	1
19	00-562257-00001	Pan - Deflector.....	1
20	00-562257-00003	Pan - Deflector.....	AR
21	SC-132-76	Cap Screw 1/4-20 x 3/4.....	AR
22	00-949352-00002	Plate - Air Gap.....	1
23	00-949717	Gasket - Air Gap.....	1
24	00-949352	Plate - Air Gap.....	1
25	NS-015-01	Nut 1/4-20 Hex (SST).....	4
26	NS-025-04	Crown Nut 1/4-20 (SST).....	AR
27	00-079080	Nut (Security).....	AR
28	00-949977-00002	Pipe - Overflow (Prewash Only) (R-L).....	1
29	00-949977-00001	Pipe - Overflow (Prewash Only) (L-R).....	1
30	WL-006-17	Lockwasher 1/4 Helical (SST).....	8
31	WS-017-08	Washer (0.328 x 0.625 x 0.062) (SST) (Security).....	8
32	00-562259	Saddle - Deflector.....	1
33	NS-031-21	Stop Nut 1/4-20 Hex (SST).....	4
34	00-119244-00002	Cap & Stud Assembly.....	AR
35	00-067500-00031	O-Ring.....	AR

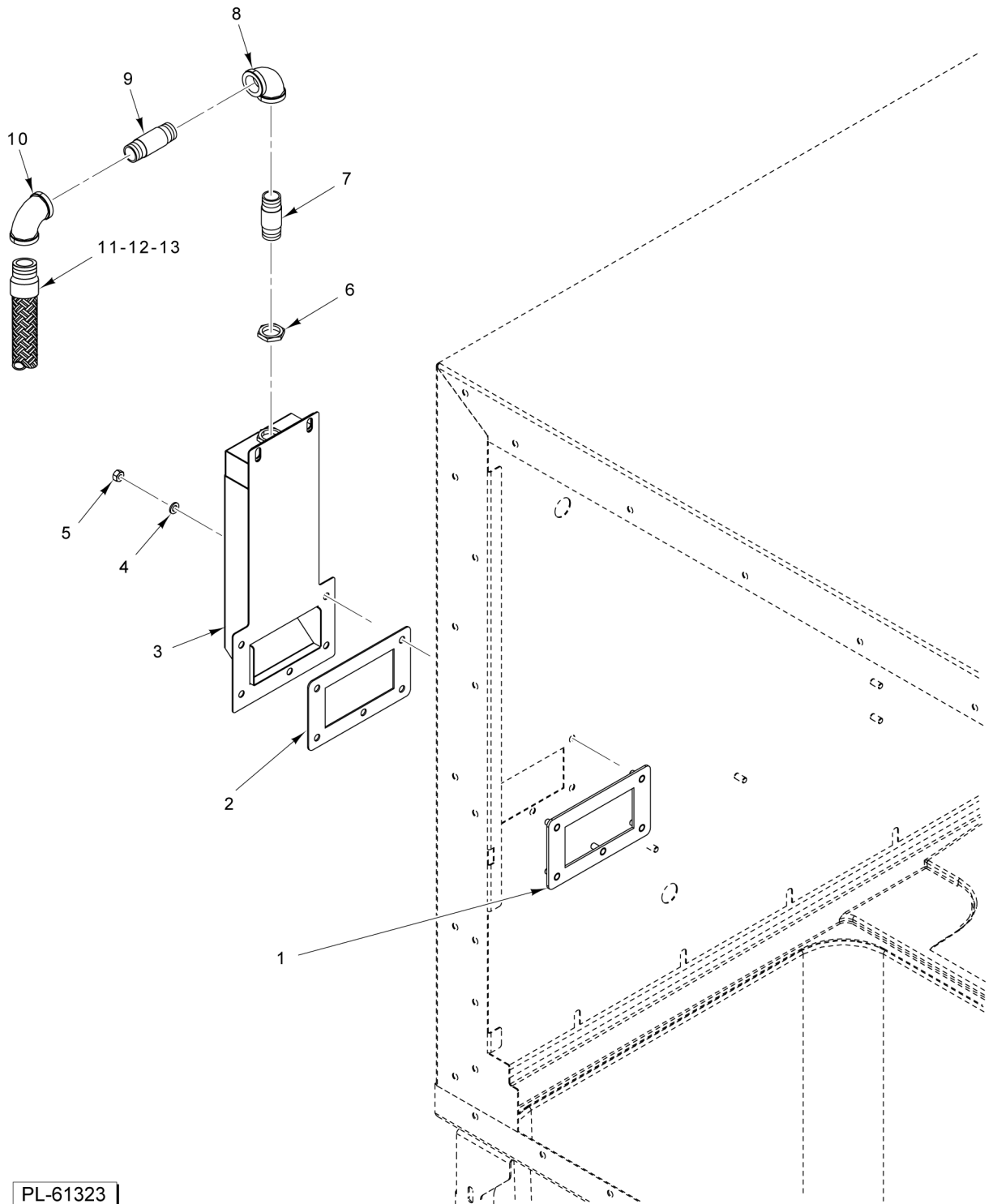


PL-61341

**CURTAINS
(PREWASH & WASH/POWER RINSE)**

**CURTAINS
(PREWASH & WASH/POWER RINSE)**

ILLUS. PL-61341	PART NO.	NAME OF PART	AMT.
1	00-948729	Curtain, Splash, 4-Ply (Standard Height).....	1
2	00-948729-00002	Curtain, Splash, 4-Ply (6 In. Higher Than Standard).....	1
3	00-950029	Curtain (3-Ply) (Security) (Security) (Standard Height).....	1
4	00-950029-00002	Curtain (3-Ply) (Security) (6 In. Higher Than Standard).....	1
5	00-948752	Bracket - Curtain.....	1
6	00-950032-00001	Bracket - Curtain (Prison).....	1
7	00-120267-00004	Rod - Curtain (35-1/4 In.).....	2
8	00-562087-00002	Bracket - Curtain (Standard Height).....	1
9	00-950032-00002	Hanger - Curtain (Security) (Standard Height).....	1
10	00-562087-00001	Bracket - Curtain.....	1
11	00-950032-00003	Bracket - Curtain (Prison).....	1
12	00-948730	Curtain (Standard Height).....	1
13	00-950029	Curtain (3-Ply) (Security).....	1
14	00-948731	Curtain (Short).....	1
15	00-950030	Curtain (Short) (Security).....	1
16	00-562087-00002	Bracket - Curtain.....	1
17	00-950032-00002	Hanger - Curtain (Security).....	1
18	00-948730	Curtain.....	1
19	00-948730-00002	Curtain.....	1
20	00-950029	Curtain (3-Ply) (Security) (Security).....	1
21	00-950029-00002	Curtain (3-Ply) (Security).....	1
22	00-562086-00001	Hanger - Curtain.....	1
23	00-562086-00002	Hanger - Curtain.....	1
24	00-960032-00002	Bracket - Curtain (Security).....	1
25	00-948730	Curtain.....	1
26	00-948730-00002	Curtain.....	1
27	00-950029	Curtain (3-Ply) (Security) (Security).....	1
28	00-950029-00002	Curtain (3-Ply) (Security).....	1

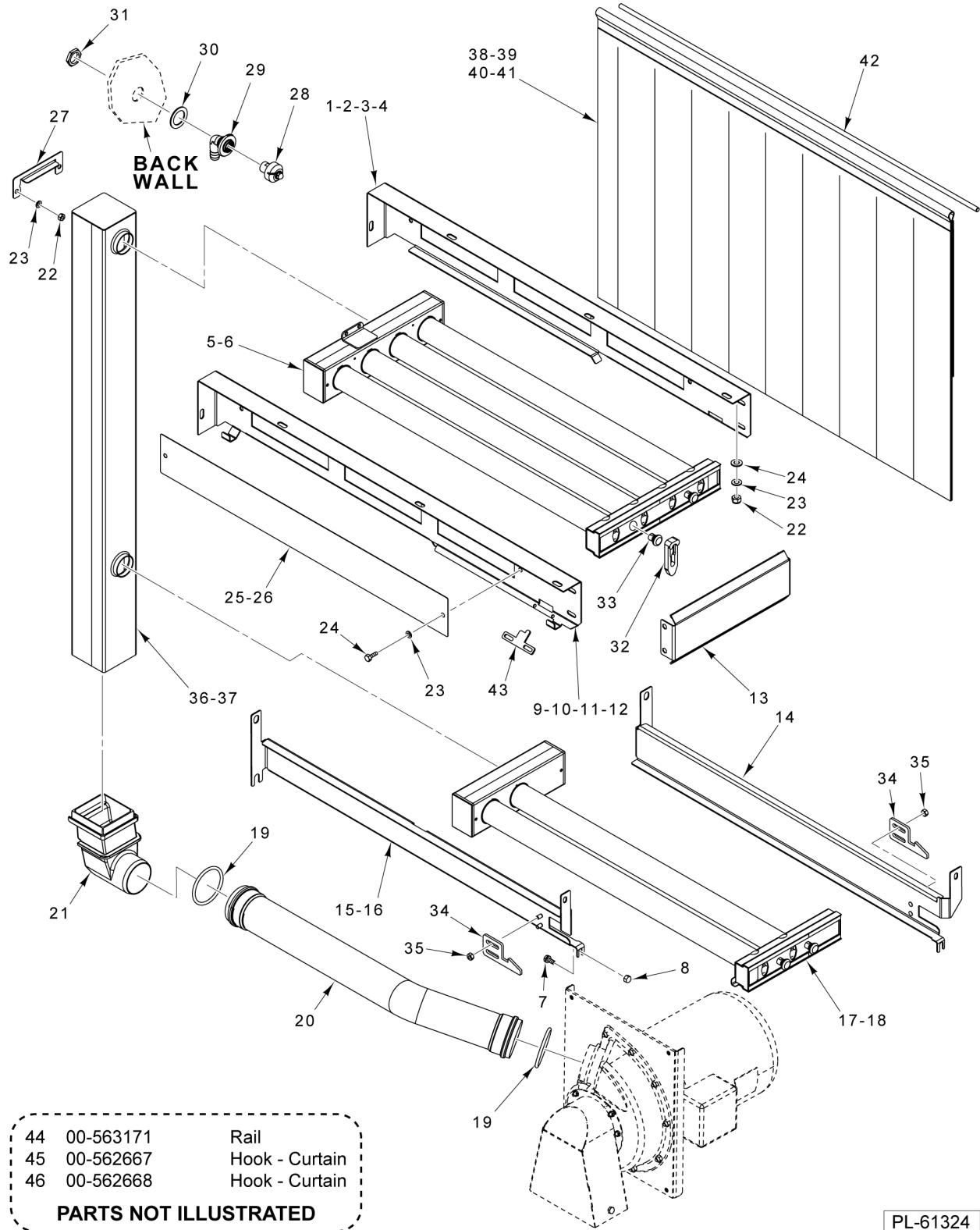


PL-61323

**AIR GAP ASSEMBLY
(PREWASH & WASH/POWER RINSE)**

**AIR GAP ASSEMBLY
(PREWASH & WASH/POWER RINSE)**

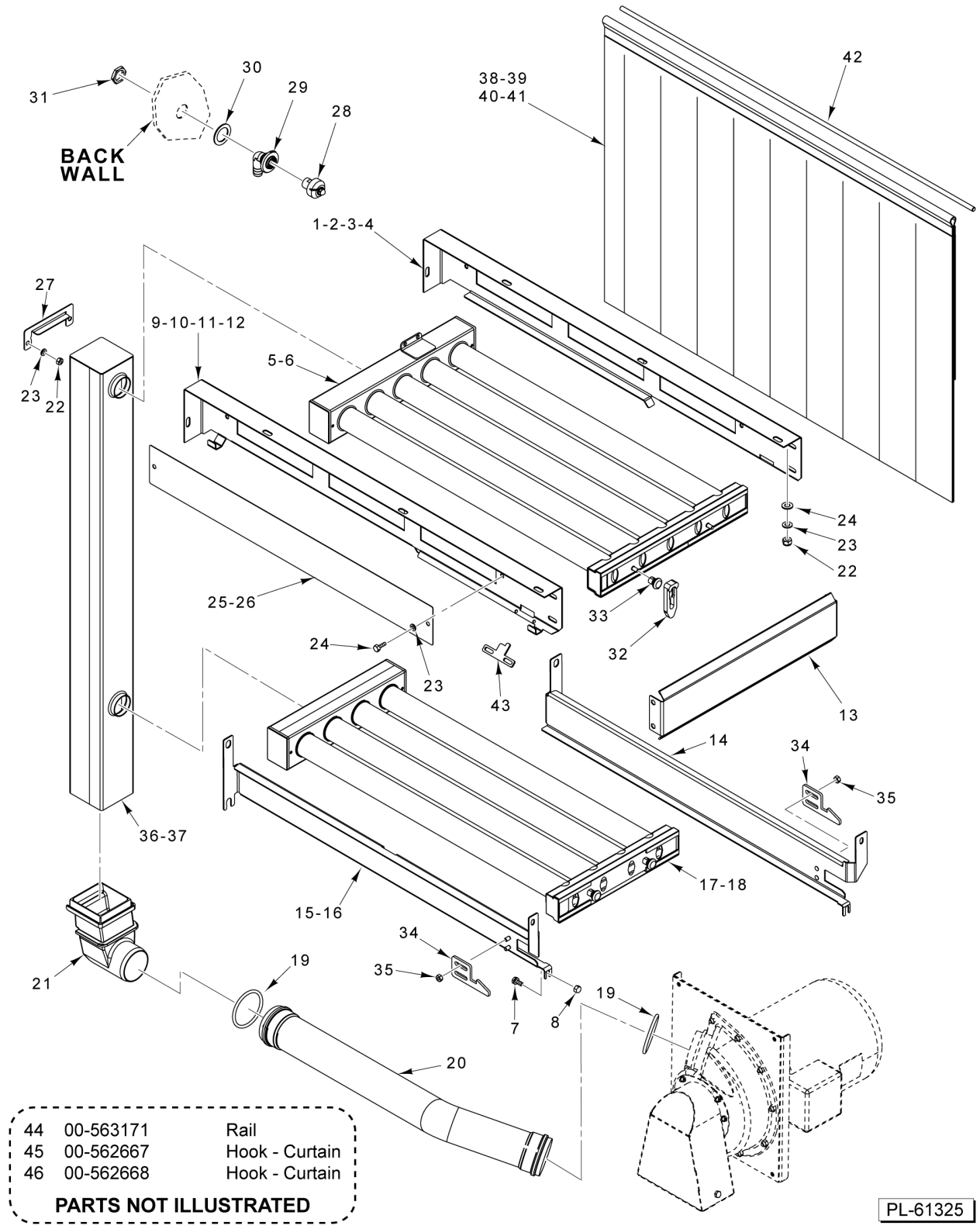
ILLUS. PL-61323	PART NO.	NAME OF PART	AMT.
1	00-950411	Deflector - Weldment (Air Gap - Fill).....	1
2	00-949717	Gasket - Air Gap.....	1
3	00-949100	Air Gap Weldment.....	1
4	WL-006-17	Lockwasher 1/4 Helical (SST).....	4
5	NS-015-01	Nut 1/4-20 Hex (SST).....	4
6	FP-053-05	Pipe Lock Nut 1/2 NPSL (SST).....	1
7	FP-090-12	Pipe 1/2 x 2 TBE (Brass).....	1
8	FP-015-16	Elbow - Pipe 1/2 x 90 Deg. (Brass).....	1
9	FP-040-53	Pipe 1/2 x 2-3/4 TBE (Brass).....	1
10	FP-015-16	Elbow - Pipe 1/2 x 90 Deg. (Brass).....	1
11	00-893444-00001	Hose - Water (Braided) (66 In.) (SST).....	1
12	00-893444-00003	Hose - Water (Braided) (96 In.) (SST).....	1
13	00-893444-00005	Hose - Water (Braided) (120 In.) (SST).....	1



WASH ARMS AND MANIFOLD (PREWASH)

WASH ARMS AND MANIFOLD (PREWASH)

ILLUS.	PART NO.	NAME OF PART	AMT.
1	00-562305-00001	Bracket - Wash Arm (Upper) (RH, L-R) (Before S/N 271197132).....	1
2	00-562306-00002	Bracket - Wash Arm (Upper) (RH, L-R) (Before S/N 271197132).....	1
3	00-562374-00002	Bracket - Curtain Wash Arm (Upper) (RH, L-R) (Security) (Before S/N 271197132)	1
4	00-563178-00001	Bracket - Wash Arm (Upper) (RH) (Starting S/N 271197132).....	1
5	00-562408-00001	Wash Arm Assy. (4-Tube) (Upper) (L-R).....	1
6	00-562408-00002	Wash Arm Assy. (4-Tube) (Upper) (R-L).....	1
7	SC-131-96	Screw.....	AR
8	NS-025-06	Crown Nut 1/4-20 (SST).....	AR
9	00-562305-00002	Bracket - Wash Arm (Upper) (LH, R-L) (Before S/N 271197132).....	1
10	00-562306-00001	Bracket - Wash Arm (Upper) (LH, R-L) (Before S/N 271197132).....	1
11	00-562374-00001	Bracket - Curtain Wash Arm (Upper) (LH, R-L) (Security) (Before S/N 271197132)	1
12	00-563178-00002	Bracket - Wash Arm (Upper) (LH) (Starting S/N 271197132).....	1
13	00-949184-00002	Bracket - Baffle (4-Tube).....	1
14	00-949173-00001	Bracket - Wash Arm (Lower) (RH).....	1
15	00-949174-00001	Bracket - Wash Arm (Lower) (LH).....	1
16	00-563305	Bracket - Wash Arm (Lower) (Security).....	1
17	00-949102-00001	Wash Arm Assy. (2-Tube) (Lower) (L-R).....	1
18	00-949102-00002	Wash Arm Assy. (2-Tube) (Lower) (R-L).....	1
19	00-949432-00003	O-Ring.....	2
20	00-947952-00003	Tube - Wash.....	1
21	01-245055-00001	Elbow - Manifold.....	1
22	NS-015-01	Nut 1/4-20 Hex (SST).....	AR
23	WL-006-17	Lockwasher 1/4 Helical (SST).....	AR
24	WS-005-32	Washer (SST).....	AR
25	00-949631	Plate - Baffle (Before S/N 271197132).....	2
26	00-563170	Plate - Baffle (Starting S/N 271197132).....	2
27	00-947957	Bracket - Manifold.....	2
28	01-297394-00001	Nozzle (Cleaning Tank).....	3
29	01-533129	Coupling - Angled.....	3
30	00-949935	Seal.....	3
31	FP-030-16	Lock Nut 1/2 Pipe (Brass).....	3
32	00-950071	Diverter - Auto Clean (Wash Arm).....	AR
33	00-972719	Handle - Plate Slider.....	AR
34	00-949206	Bracket - Locking.....	2
35	NS-031-19	Stop Nut 1/4-20 Hex (SST).....	4
36	00-948275-00001	Manifold - Wash (Standard Height).....	1
37	00-948275-00002	Manifold - Wash (6 In. Higher Than Standard).....	1
38	00-948730	Curtain (Standard Height).....	1
39	00-948730-00002	Curtain (6 In. Higher Than Standard).....	1
40	00-950029	Curtain (3-Ply) (Security) (Security) (Standard Height).....	1
41	00-950029-00002	Curtain (3-Ply) (Security) (6 In. Higher Than Standard).....	1
42	00-120267-00004	Rod - Curtain (35-1/4 In.).....	1
43	00-949377-00001	Bracket - Locking.....	2
44	00-563171	Bracket - Wash Arm Support.....	2
45	00-562667	Hook - Curtain.....	AR
46	00-562668	Hook - Curtain.....	AR

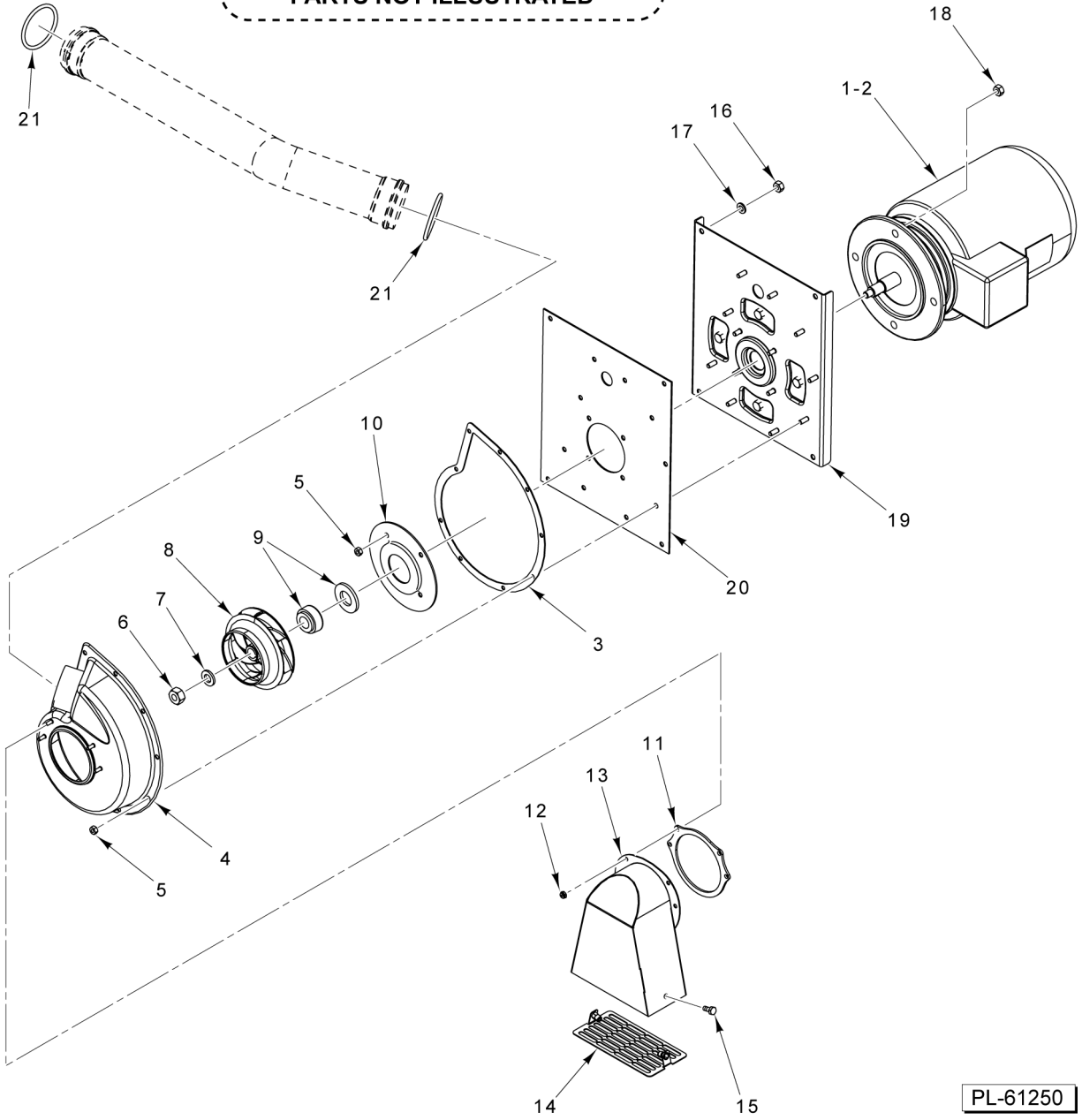


**WASH ARMS AND MANIFOLD
(WASH/POWER RINSE)**

**WASH ARMS AND MANIFOLD
(WASH/POWER RINSE)**

ILLUS.	PART NO.	NAME OF PART	AMT.
PL-61325			
1	00-562305-00001	Bracket - Wash Arm (Upper) (RH, L-R) (Before S/N 271197132).....	1
2	00-562306-00002	Bracket - Wash Arm (Upper) (RH, L-R) (Before S/N 271197132).....	1
3	00-562374-00002	Bracket - Curtain Wash Arm (Upper) (RH, L-R) (Security) (Before S/N 271197132)	1
4	00-563178-00001	Bracket - Wash Arm (Upper) (RH) (Starting S/N 271197132).....	1
5	00-562082-00001	Wash Arm Assy. (5-Tube) (Upper) (L-R).....	1
6	00-562082-00002	Wash Arm Assy. (5-Tube) (Upper) (R-L).....	1
7	SC-131-96	Screw.....	AR
8	NS-025-06	Crown Nut 1/4-20 (SST).....	AR
9	00-562305-00002	Bracket - Wash Arm (Upper) (LH, R-L) (Before S/N 271197132).....	1
10	00-562306-00001	Bracket - Wash Arm (Upper) (LH, R-L) (Before S/N 271197132).....	1
11	00-562374-00001	Bracket - Curtain Wash Arm (Upper) (LH, R-L) (Security) (Before S/N 271197132)	1
12	00-563178-00002	Bracket - Wash Arm (Upper) (LH) (Starting S/N 271197132).....	1
13	00-949184-00004	Bracket - Baffle (5-Tube).....	1
14	00-949173-00001	Bracket - Wash Arm (Lower) (RH).....	1
15	00-949174-00001	Bracket - Wash Arm (Lower) (LH).....	1
16	00-563305	Bracket - Wash Arm (Lower) (Security).....	1
17	00-562407-00001	Wash Arm Assy. (4-Tube) (Lower) (R-L).....	1
18	00-562407-00002	Wash Arm Assy. (4-Tube) (Lower) (L-R).....	1
19	00-949432-00003	O-Ring.....	2
20	00-947952-00003	Tube - Wash.....	1
21	01-245055-00001	Elbow - Manifold.....	1
22	NS-015-01	Nut 1/4-20 Hex (SST).....	AR
23	WL-006-17	Lockwasher 1/4 Helical (SST).....	AR
24	WS-005-32	Washer (SST).....	AR
25	00-949631	Plate - Baffle (Before S/N 271197132).....	2
26	00-563170	Plate - Baffle (Starting S/N 271197132).....	2
27	00-947957	Bracket - Manifold.....	2
28	01-297394-00001	Nozzle (Cleaning Tank).....	3
29	01-533129	Coupling - Angled.....	3
30	00-949935	Seal.....	3
31	FP-030-16	Lock Nut 1/2 Pipe (Brass).....	3
32	00-950071	Diverter - Auto Clean (Wash Arm).....	1
33	00-972719	Handle - Plate Slider.....	AR
34	00-949206	Bracket - Locking.....	2
35	NS-031-19	Stop Nut 1/4-20 Hex (SST).....	4
36	00-948275-00001	Manifold - Wash (Standard Height).....	1
37	00-948275-00002	Manifold - Wash (6 In. Higher Than Standard).....	1
38	00-948730	Curtain (Standard Height).....	1
39	00-948730-00002	Curtain (6 In. Higher Than Standard).....	1
40	00-950029	Curtain (3-Ply) (Security) (Security) (Standard Height).....	1
41	00-950029-00002	Curtain (3-Ply) (Security) (6 In. Higher Than Standard).....	1
42	00-120267-00004	Rod - Curtain (35-1/4 In.).....	1
43	00-949377-00001	Bracket - Locking.....	2
44	00-563171	Bracket - Wash Arm Support.....	2
45	00-562667	Hook - Curtain.....	AR
46	00-562668	Hook - Curtain.....	AR

22 Nut
 23 895466 Kit - Mechanical Shaft Seal
PARTS NOT ILLUSTRATED

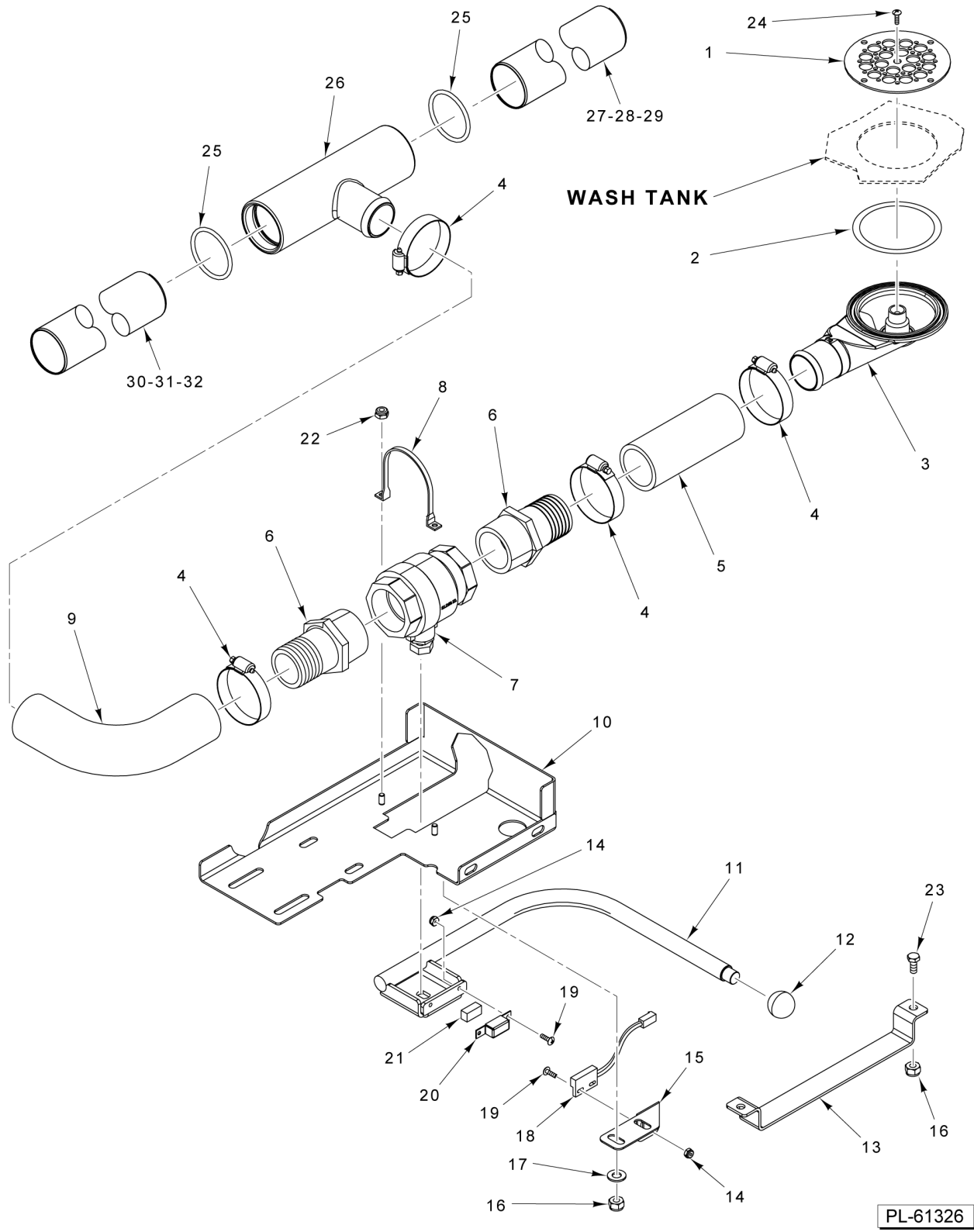


PL-61250

**WASH PUMP ASSEMBLY
 (PREWASH & WASH/POWER RINSE)**

**WASH PUMP ASSEMBLY
(PREWASH & WASH/POWER RINSE)**

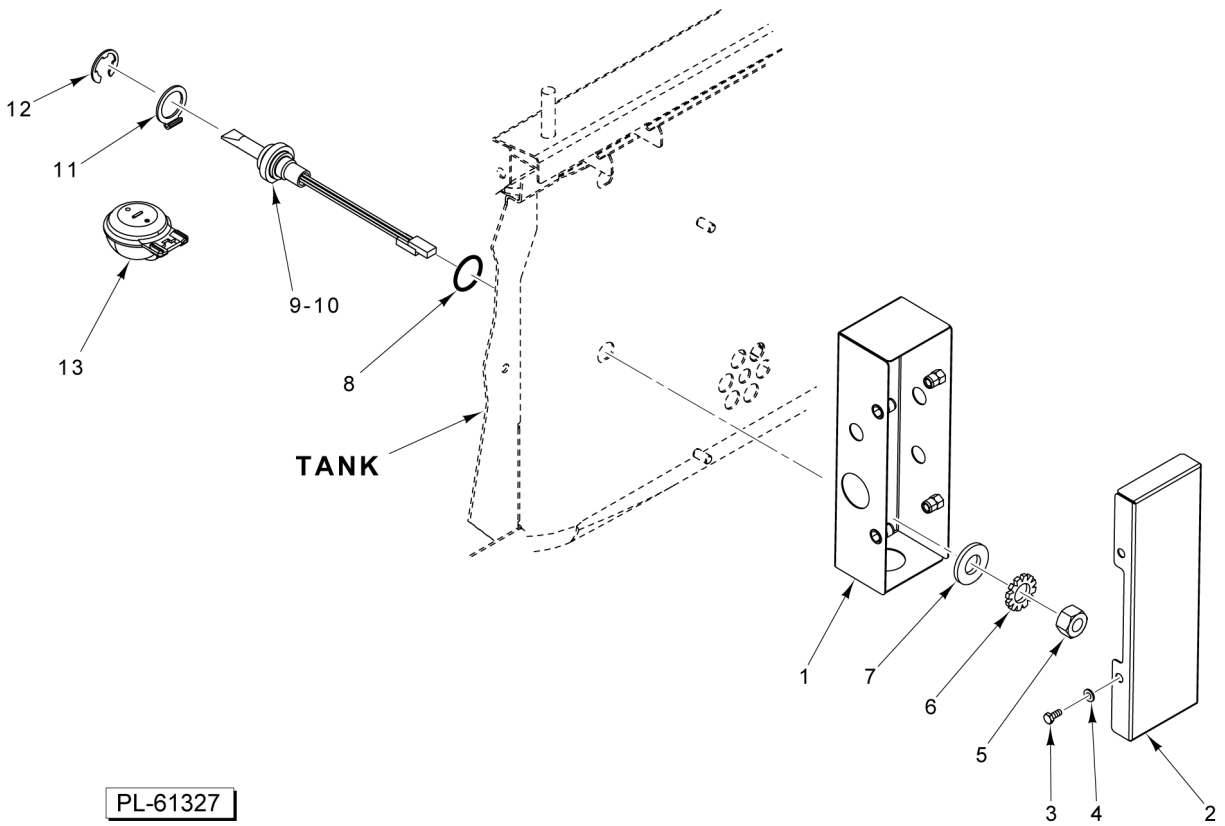
ILLUS. PL-61250	PART NO.	NAME OF PART	AMT.
1	00-974888-00002	Motor (380-480 V., 60 Hz., 3 Ph.) (200-240/280-415 V., 50 Hz., 3 Ph.) (3.5 Hp.).....	1
2	00-974888-00003	Motor (575-600 V., 60 Hz., 3 Ph.) (3.5 Hp.).....	1
3	00-947956-00001	Gasket - Housing.....	1
4	00-949230	Housing - Pump.....	1
5	NS-048-03	Stop Nut M6 (SST).....	13
6	NS-049-35	Lock Nut M10 x 1.5 Hex.....	1
7	WS-031-15	Washer (SST).....	1
8	01-245088-00011	Impeller - Pump.....	1
9	01-245033-00002	Seal - Pump Shaft.....	1
10	01-245379-00001	Retaining Ring.....	1
11	00-949327	Gasket - Intake Manifold.....	1
12	NS-031-16	Stop Nut 10-24 Hex Elastic (SST).....	4
13	00-948736	Shroud - Pump Intake.....	1
14	00-949094	Strainer - Pump Intake.....	1
15	SC-041-05	Cap Screw 1/4-20 x 5/8 Hex Hd. (SST).....	2
16	NS-015-01	Nut 1/4-20 Hex (SST).....	4
17	WL-006-17	Lockwasher 1/4 Helical (SST).....	4
18	NS-047-52	Nut M10 Hex.....	4
19	01-245835-00001	Plate - Motor Mount.....	1
20	00-947953-00001	Gasket - Motor.....	1
21	00-949432-00003	O-Ring.....	2
22		Nut.....	2
23	00-895466	Kit - Mechanical Shaft Seal (Incls. Items 3, 6, 9, 21, & 22).....	1



**TANK DRAIN ASSEMBLY
(PREWASH & WASH/POWER RINSE)**

**TANK DRAIN ASSEMBLY
(PREWASH & WASH/POWER RINSE)**

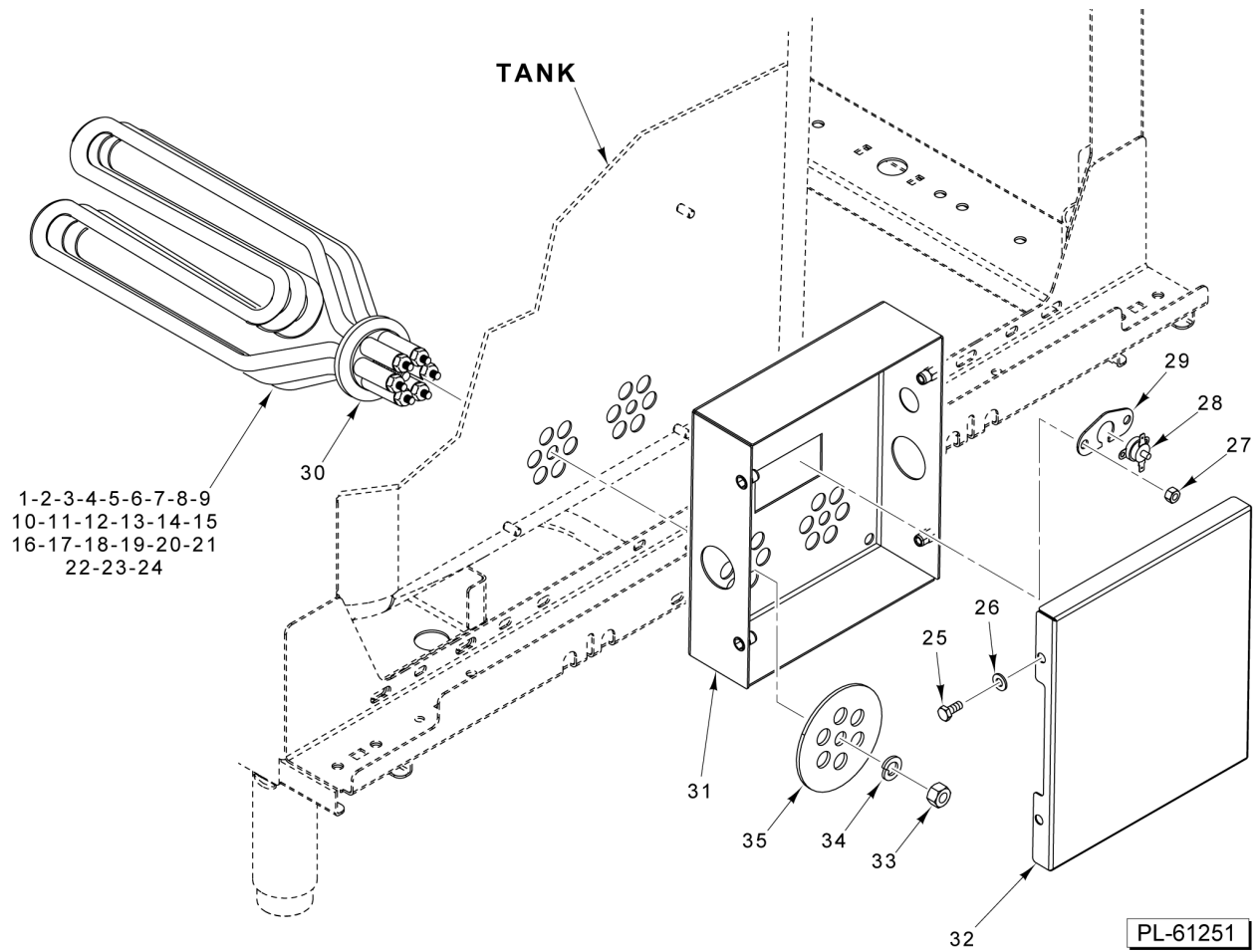
ILLUS. PL-61326	PART NO.	NAME OF PART	AMT.
1	00-947920-00001	Plate - Strainer (Round).....	1
2	00-749370	Gasket - Seal 0.093 x 3.00.....	1
3	00-948146	Drain Body.....	1
4	00-538412	Clamp - Hose.....	4
5	00-949132	Hose - Drain (Straight).....	1
6	FP-091-66	Fitting - Hose Barb.....	2
7	00-949070	Valve Assy.....	1
8	00-974839	Clamp - Drain.....	1
9	00-949133	Hose - Drain (Elbow).....	1
10	00-948758	Bracket - Drain Valve.....	1
11	00-949162	Handle - Drain.....	1
12	00-949423	Knob.....	1
13	00-949158	Support - Drain Handle.....	1
14	NS-031-50	Stop Nut 6-32 Hex (SST).....	4
15	00-949161	Bracket - Drain Switch.....	1
16	NS-031-21	Stop Nut 1/4-20 Hex (SST).....	4
17	WS-005-32	Washer (SST).....	AR
18	00-473109-005-1	Switch - Interlock.....	1
19	SC-066-03	Mach. Screw 6-32 x 1/2 Phil. Truss Hd. (SST).....	4
20	00-893111	Magnet - Mount.....	1
21	00-111941	Magnet.....	1
22	NS-047-82	Stop Nut 1/4-20 Hex (SST).....	2
23	SC-041-05	Cap Screw 1/4-20 x 5/8 Hex Hd. (SST).....	2
24	SC-041-50	Cap Screw 1/4-20 x 1/2 Hex Hd. (SST).....	1
25	00-067500-00019	O-Ring.....	2
26	00-970906	Tee - Drain.....	1
27	00-948761-00001	Pipe - Drain (31.375 In.).....	1
28	00-948761-00006	Pipe - Drain (48.75 In.).....	1
29	00-948761-00019	Pipe - Drain (36.75 In.).....	1
30	00-948761-00001	Pipe - Drain (31.375 In.).....	1
31	00-948761-00006	Pipe - Drain (48.75 In.).....	1
32	00-948761-00007	Pipe - Drain (4.0 In.).....	1



**FLOAT ASSEMBLY
(PREWASH & WASH/POWER RINSE)**

**FLOAT ASSEMBLY
(PREWASH & WASH/POWER RINSE)**

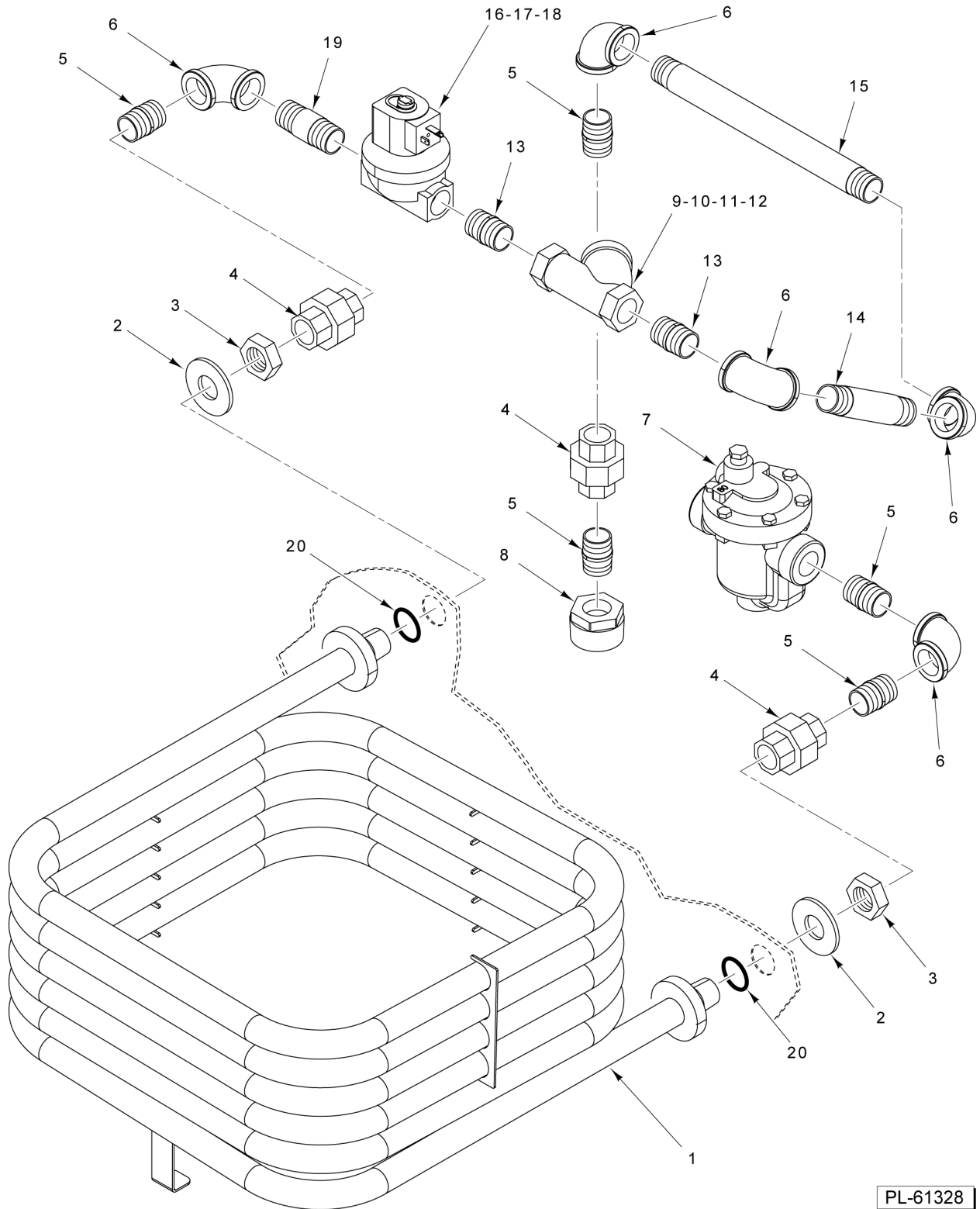
ILLUS.	PART NO.	NAME OF PART	AMT.
PL-61327			
1	00-948517	Box - Float.....	1
2	00-948518	Lid - Box.....	1
3	SC-041-05	Cap Screw 1/4-20 x 5/8 Hex Hd. (SST).....	4
4	WL-006-17	Lockwasher 1/4 Helical (SST).....	4
5	NS-018-28	Jam Nut 1/2-20 Hex (SST).....	2
6	WL-014-31	Lockwasher 1/2 External Shakeproof (SST).....	1
7	WS-010-40	Washer - Thrust.....	1
8	00-067500-00072	O-Ring.....	1
9	00-936547-00003	Probe & Switch Assy. (2-Wire) (Long) (Incls. Items 11, 12, & 13).....	2
10	00-936547-00004	Probe & Switch Assy. (4-Wire) (Long) (Incls. Items 11, 12, & 13).....	2
11	00-112467	Retainer - Float.....	2
12	RR-010-13	Retaining Ring.....	2
13	00-122674	Float Assy.....	2



**ELECTRIC TANK HEAT
(WASH/POWER RINSE)**

**ELECTRIC TANK HEAT
(WASH/POWER RINSE)**

ILLUS. PL-61251	PART NO.	NAME OF PART	AMT.
1	00-562099-00001	Heater - 9 kW (208 V.) (FT1000e) (Wash).....	2
2	00-562099-00002	Heater - 9 kW (240 V.) (FT1000e) (Wash).....	2
3	00-562099-00003	Heater - 9 kW (380 V.) (FT1000e) (Wash).....	2
4	00-562099-00004	Heater - 9 kW (480 V.) (FT1000e) (Wash).....	2
5	00-562099-00005	Heater - 9 kW (600 V.) (FT1000e) (Wash).....	2
6	00-562099-00006	Heater - 9 kW (415 V.) (FT1000e) (Wash).....	2
7	00-562100-00001	Heater - 17.3 kW (208 V.) (FT1000Se) (Wash).....	2
8	00-562100-00002	Heater - 17.3 kW (240 V.) (FT1000Se) (Wash).....	2
9	00-562100-00003	Heater - 17.3 kW (380 V.) (FT1000Se) (Wash).....	2
10	00-562100-00004	Heater - 17.3 kW (480 V.) (FT1000Se) (Wash).....	2
11	00-562100-00005	Heater - 17.3 kW (600 V.) (FT1000Se) (Wash).....	2
12	00-562100-00006	Heater - 17.3 kW (415 V.) (FT1000Se) (Wash).....	2
13	00-562096-00001	Heater - 10.7 kW (208 V.) (FT1000e or Advansys) (Power Rinse).....	2
14	00-562096-00002	Heater - 10.7 kW (240 V.) (FT1000e or Advansys) (Power Rinse).....	2
15	00-562096-00003	Heater - 10.7 kW (380 V.) (FT1000e or Advansys) (Power Rinse).....	2
16	00-562096-00004	Heater - 10.7 kW (480 V.) (FT1000e or Advansys) (Power Rinse).....	2
17	00-562096-00005	Heater - 10.7 kW (600 V.) (FT1000e or Advansys) (Power Rinse).....	2
18	00-562096-00006	Heater - 10.7 kW (415 V.) (FT1000e or Advansys) (Power Rinse).....	2
19	00-562098-00001	Heater - 13.1 kW (208 V.) (Advansys) (Wash).....	1
20	00-562098-00002	Heater - 13.1 kW (240 V.) (Advansys) (Wash).....	1
21	00-562098-00003	Heater - 13.1 kW (380 V.) (Advansys) (Wash).....	1
22	00-562098-00004	Heater - 13.1 kW (480 V.) (Advansys) (Wash).....	1
23	00-562098-00005	Heater - 13.1 kW (600 V.) (Advansys) (Wash).....	1
24	00-562098-00006	Heater - 13.1 kW (415 V.) (Advansys) (Wash).....	1
25	SC-041-05	Cap Screw 1/4-20 x 5/8 Hex Hd. (SST).....	4
26	WL-006-17	Lockwasher 1/4 Helical (SST).....	4
27	NS-031-15	Stop Nut 10-24 Hex (SST).....	2
28	00-294615-00001	Control - Temperature.....	1
29	00-475967	Bracket - High Limit.....	1
30	00-067500-00034	O-Ring.....	2
31	00-949243	Box - Electric Heat.....	1
32	00-948516	Lid - Box.....	1
33	NS-015-13	Nut 3/8-16 Hex (SST).....	2
34	WL-006-27	Lockwasher 3/8 Helical (SST).....	2
35	00-949796	Plate - Electric Heat.....	2

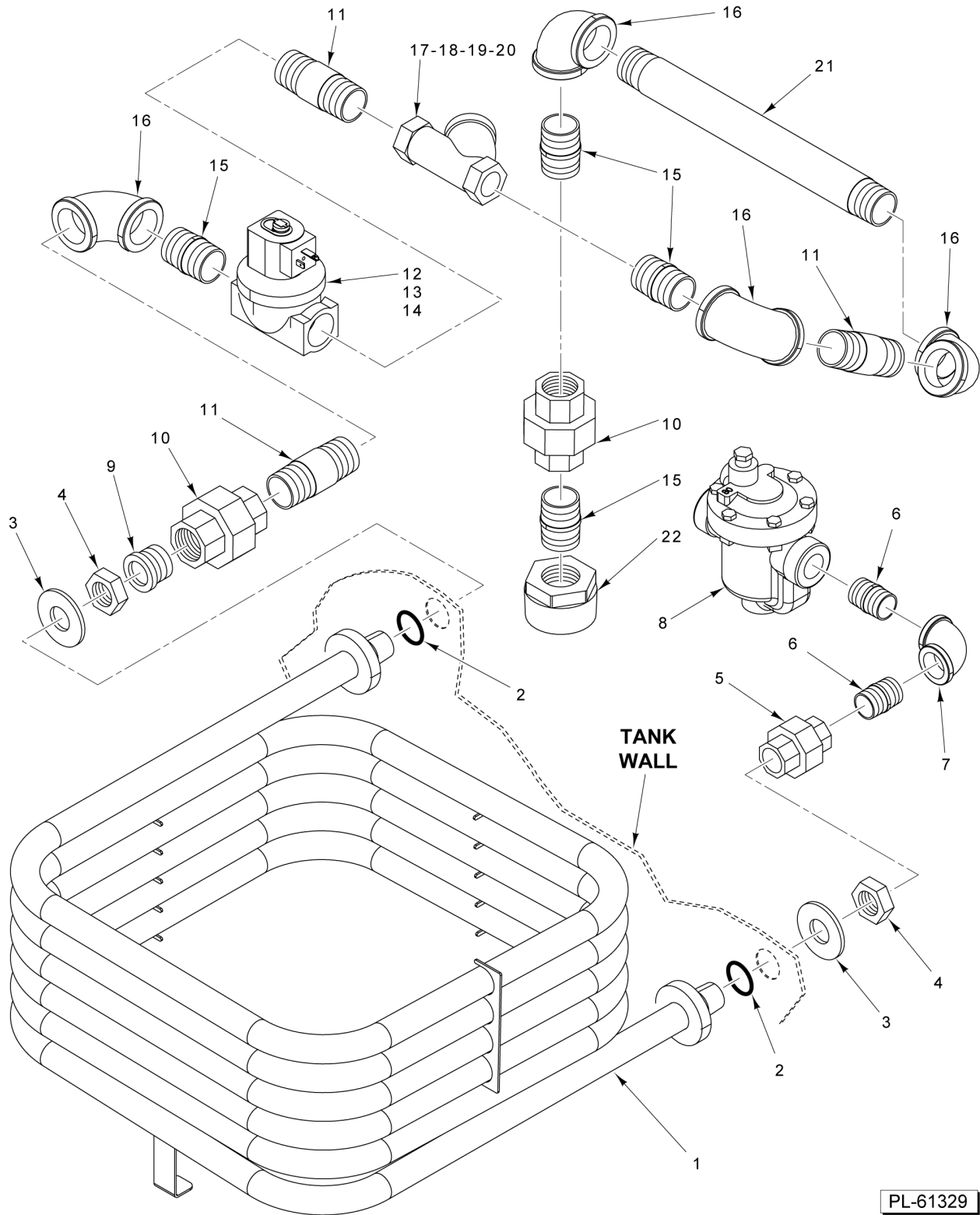


PL-61328

**STEAM TANK HEAT
(3/4 IN. INLET)
(WASH/POWER RINSE)**

**STEAM TANK HEAT
(3/4 IN. INLET)
(WASH/POWER RINSE)**

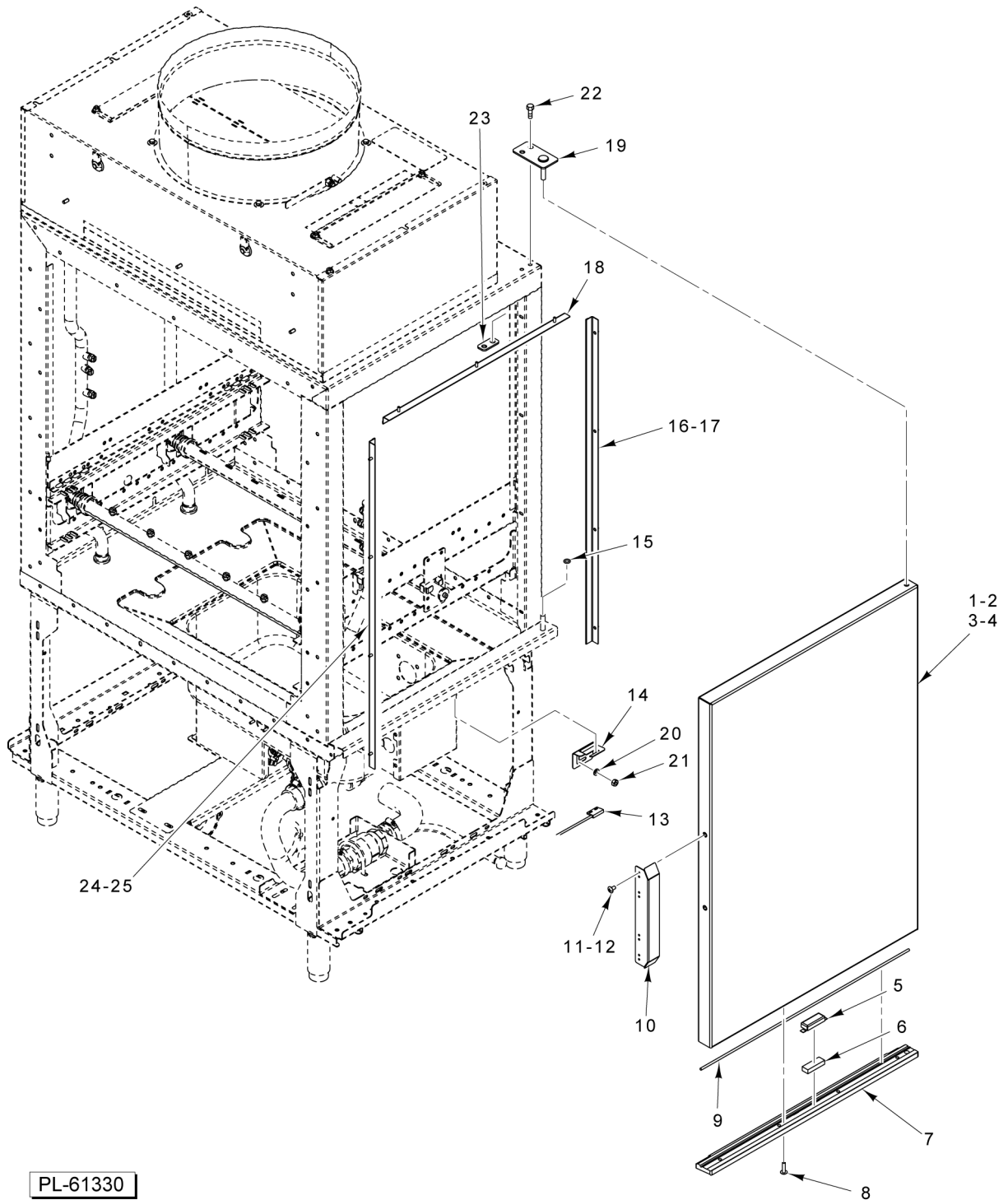
ILLUS. PL-61328	PART NO.	NAME OF PART	AMT.
1	00-948694	Coil - Steam (Wash/Power Rinse).....	1
2	WS-013-45	Washer (SST).....	2
3	FP-053-09	Lock Nut 3/4 NPSL (SST).....	2
4	FP-022-17	Union 3/4 (Grd. Seat).....	3
5	FP-036-92	Pipe 3/4 x 1-3/8 TBE (Black).....	5
6	FP-013-22	Elbow Pipe 3/4 x 90 Deg.....	5
7	00-118317	Steam Trap (21-50 PSI).....	1
8	FP-026-34	Bushing 1-1/2 to 3/4 Inside Hex Reducing.....	1
9	00-186922	Strainer - Line (3/4 In.) (Brass) (Incls. Items 10, 11, & 12).....	1
10	00-186923	Plug - Branch.....	1
11	00-186924	Gasket - Branch Plug.....	1
12	00-186925	Screen - Line Strainer.....	1
13	FP-059-19	Pipe 3/4 x 1-1/2 TBE.....	2
14	FP-059-14	Pipe 3/4 x 4-1/2 TBE.....	1
15	FP-036-98	Pipe 3/4 x 10-1/4 TBE.....	1
16	00-749983	Valve - Steam (3/4 In.) (125 PSI) (Incls. Item 17).....	1
17	00-892038	Coil - Solenoid Valve (110-120 V.).....	1
18	00-892072	Kit - 3/4 In. Valve Service.....	1
19	FP-036-02	Pipe 3/4 x 2-1/2 TBE.....	1
20	00-067500-00019	O-Ring.....	2



**STEAM TANK HEAT
(1 IN. INLET)
(WASH/POWER RINSE)**

**STEAM TANK HEAT
(1 IN. INLET)
(WASH/POWER RINSE)**

ILLUS. PL-61329	PART NO.	NAME OF PART	AMT.
1	00-948694	Coil - Steam (Wash/Power Rinse).....	1
2	00-067500-00019	O-Ring.....	2
3	WS-013-45	Washer (SST).....	2
4	FP-053-09	Lock Nut 3/4 NPSL (SST).....	2
5	FP-022-17	Union 3/4 (Grd. Seat).....	1
6	FP-036-92	Pipe 3/4 x 1-3/8 TBE (Black).....	2
7	FP-013-22	Elbow Pipe 3/4 x 90 Deg.....	1
8	00-118317	Steam Trap (21-50 PSI).....	1
9	FP-026-26	Bushing 1 to 3/4	1
10	FP-022-23	Union - Pipe (1 In.).....	2
11	FP-059-50	Pipe 1 x 2 TBE.....	3
12	00-919172	Valve - Steam (1 In.) (Incls. Item 13).....	1
13	00-919174	Coil - Solenoid (1 In.).....	1
14	00-919176	Kit - Service Valve (1 In.).....	1
15	FP-036-17	Pipe 1 x 1-1/2 TBE.....	4
16	FP-013-27	Elbow - Pipe 1 x 90 Deg.....	4
17	00-748967	Stainer - Line (1 In.) (Incls. Items 18, 19, & 20).....	1
18	00-749172-00001	Cap, for 1" #11 Strainer.....	1
19	00-749172-00002	Plug, 3/8" Plug for 1" #11 Strainer.....	1
20	00-749172-00003	Screen (1 Line Strainer), 80 Mesh Screen #11 Strainer.....	1
21	FP-067-05	Pipe 1 x 10.....	1
22	FP-026-68	Bushing 1-1/2 to 1 In.....	1

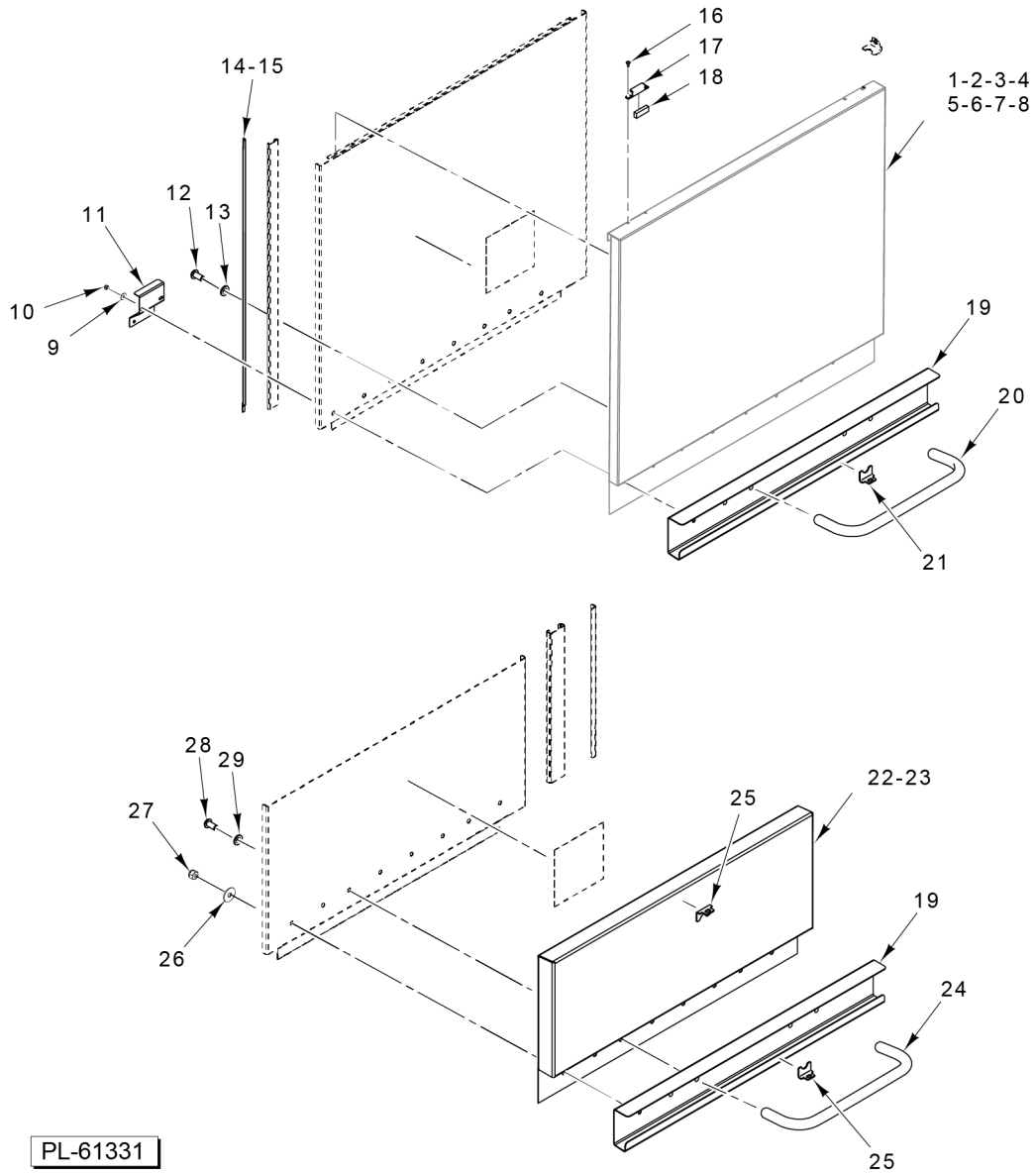


PL-61330

HINGE DOOR ASSEMBLY (DUAL RINSE)

**HINGE DOOR ASSEMBLY
(DUAL RINSE)**

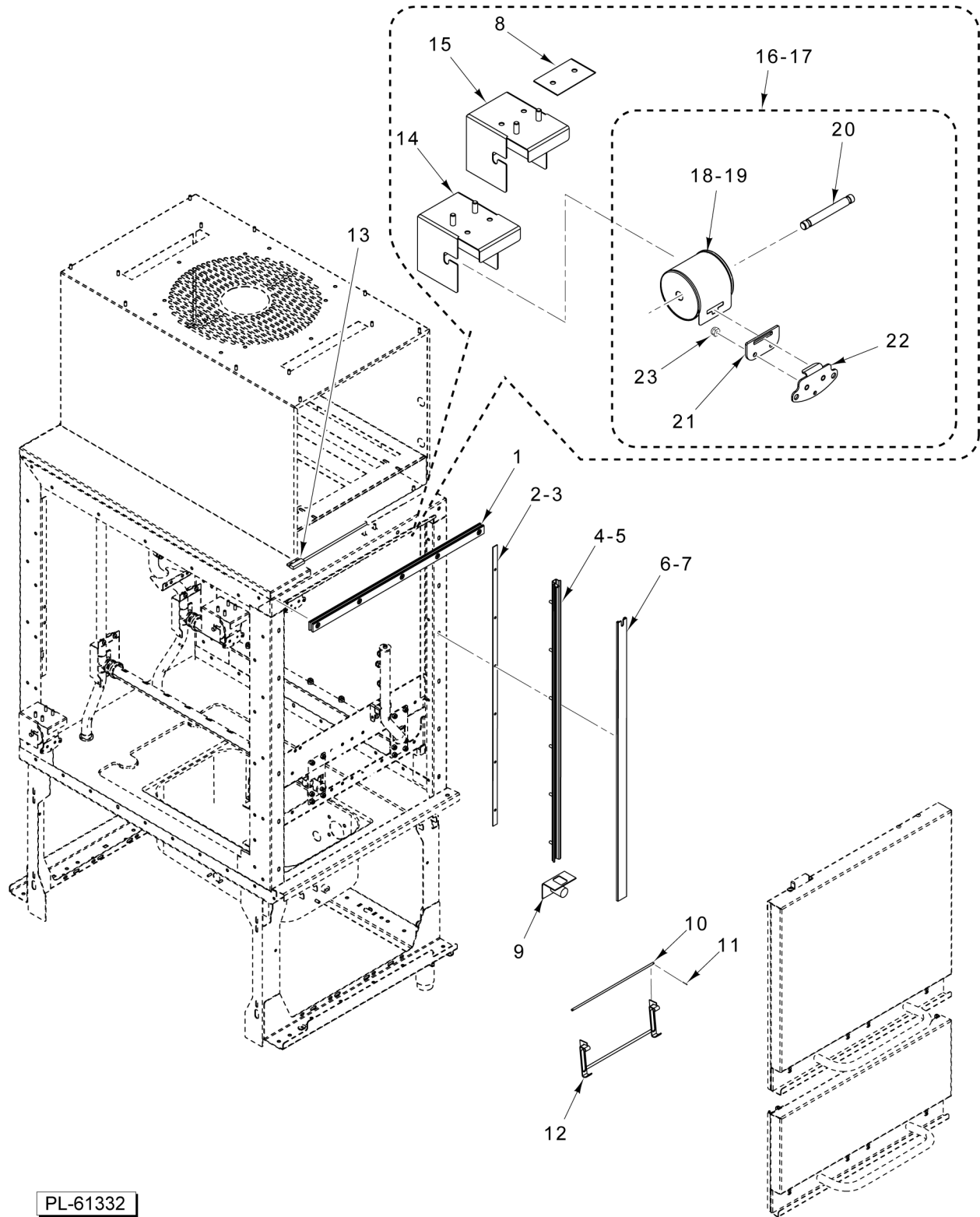
ILLUS. PL-61330	PART NO.	NAME OF PART	AMT.
1	00-949074-00003	Door Assy. (Standard Height) (Incls. Items 5 thru 9).....	1
2	00-949074-00004	Door Assy. (6 In. Higher Than Standard) (Incls. Items 5 thru 9).....	1
3	00-950482-00003	Door Assy. - RH Side (Security) (Incls. Items 5 thru 9).....	1
4	00-950482-00004	Door Assy. - RH Side (6 In. Higher Than Std.) (Security) (Incls. Items 5 thru 9).....	1
5	00-814895	Retainer - Magnet.....	1
6	00-290160	Magnet.....	1
7	00-949089-00002	Seal - Door (Bottom).....	1
8	SC-132-83	Mach. Screw 1/4-20 x 3/4.....	4
9	00-949140-00003	Gasket - Door.....	1
10	00-562465	Handle - Door.....	1
11	SC-125-15	Mach. Screw 1/4-20 x 1/2 Phil. Truss Hd.....	2
12	00-271538-01-11	Torx Screw 1/4-20 x 1/2 (SST) (Security).....	2
13	00-473109-005-2	Switch - Interlock.....	1
14	00-948521	Bracket - Interlock Switch.....	1
15	00-067500-00004	O-Ring.....	1
16	00-950402-00001	Seal - Door (RH Side) (Standard Height).....	1
17	00-950402-00003	Seal - Door (RH Side) (6 In. Higher Than Standard).....	1
18	00-950401-00002	Seal - Door (Top).....	1
19	00-948533	Hinge Plate Assy.....	1
20	WL-006-17	Lockwasher 1/4 Helical (SST).....	2
21	NS-015-01	Nut 1/4-20 Hex (SST).....	2
22		Screw.....	2
23	00-950299	Bracket - Weldnut.....	1
24	00-950402-00002	Seal - Door (LH Side) (Standard Height).....	1
25	00-950402-00004	Seal - Door (LH Side) (6 In. Higher Than Standard).....	1



**SLIDING DOOR ASSEMBLY
(DUAL RINSE)
(STARTING S/N 271196838)**

**SLIDING DOOR ASSEMBLY
(DUAL RINSE)
(STARTING S/N 271196838)**

ILLUS. PL-61331	PART NO.	NAME OF PART	AMT.
1	00-562751-00003	Door Assy. (Upper) (L-R) (STD) (Incls. Items 9 thru 14, 16 thru 20).....	1
2	00-562751-00004	Door Assy. (Upper) (L-R) (HTS) (Incls. Items 9 thru 13, 15 thru 20).....	1
3	00-562751-00005	Door Assy. (Upper) (R-L) (STD) (Incls. Items 9 thru 14, 15 thru 20).....	1
4	00-562751-00006	Door Assy. (Upper) (R-L) (HTS) (Incls. Items 9 thru 12, 15 thru 20).....	1
5	00-563162-00007	Door Assy. (Security) (Upper) (R-L) (STD) (Incls. Items 3 & 21).....	1
6	00-563162-00008	Door Assy. (Security) (Upper) (R-L) (HTS) (Incls. Items 4 & 21).....	1
7	00-563162-00009	Door Assy. (Security) (Upper) (L-R) (STD) (Incls. Items 1 & 21).....	1
8	00-563162-00010	Door Assy. (Security) (Upper) (L-R) (HTS) (Incls. Items 2 & 21).....	1
9	WS-003-47	Washer (SST).....	6
10	NS-047-82	Stop Nut 1/4-20 Hex (SST).....	6
11	00-562755	Bracket - Mount, Door Spring.....	2
12	SC-041-11	Cap Screw 5/16-18 x 3/4 Hex Hd. (SST).....	2
13	WS-017-01	Washer 0.328 x 0.875 x 0.062 (SST).....	2
14	00-950577-00001	Deflector - Door (Upper) (STD).....	2
15	00-950577-00002	Deflector - Door (Upper) (HTS).....	2
16	SC-066-06	Mach. Screw 10-24 x 1/2 Phil. Truss Hd. (SST).....	4
17	00-950669	Retainer - Door Magnet.....	1
18	00-290160	Magnet.....	1
19	00-562750-00002	Handle - Door.....	1
20	00-748221	Handle.....	1
21	00-950079	Receiver - Latch (Welded to Upper Door).....	1
22	00-562746-00002	Door Assy. (Lower) (Incls. Items 23 thru 29).....	1
23	00-563163	Door Assy. (Security) (Lower) (Incls. Items 22 & 29).....	1
24	00-748221	Handle (Split Door, Lower) Handle.....	1
25	00-950079	Receiver - Latch (Welded to Lower Door).....	2
26	WS-003-47	Washer (SST).....	6
27	NS-047-82	Stop Nut 1/4-20 Hex (SST).....	6
28	SC-041-11	Cap Screw 5/16-18 x 3/4 Hex Hd. (SST).....	2
29	WS-017-01	Washer 0.328 x 0.875 x 0.062 (SST).....	2

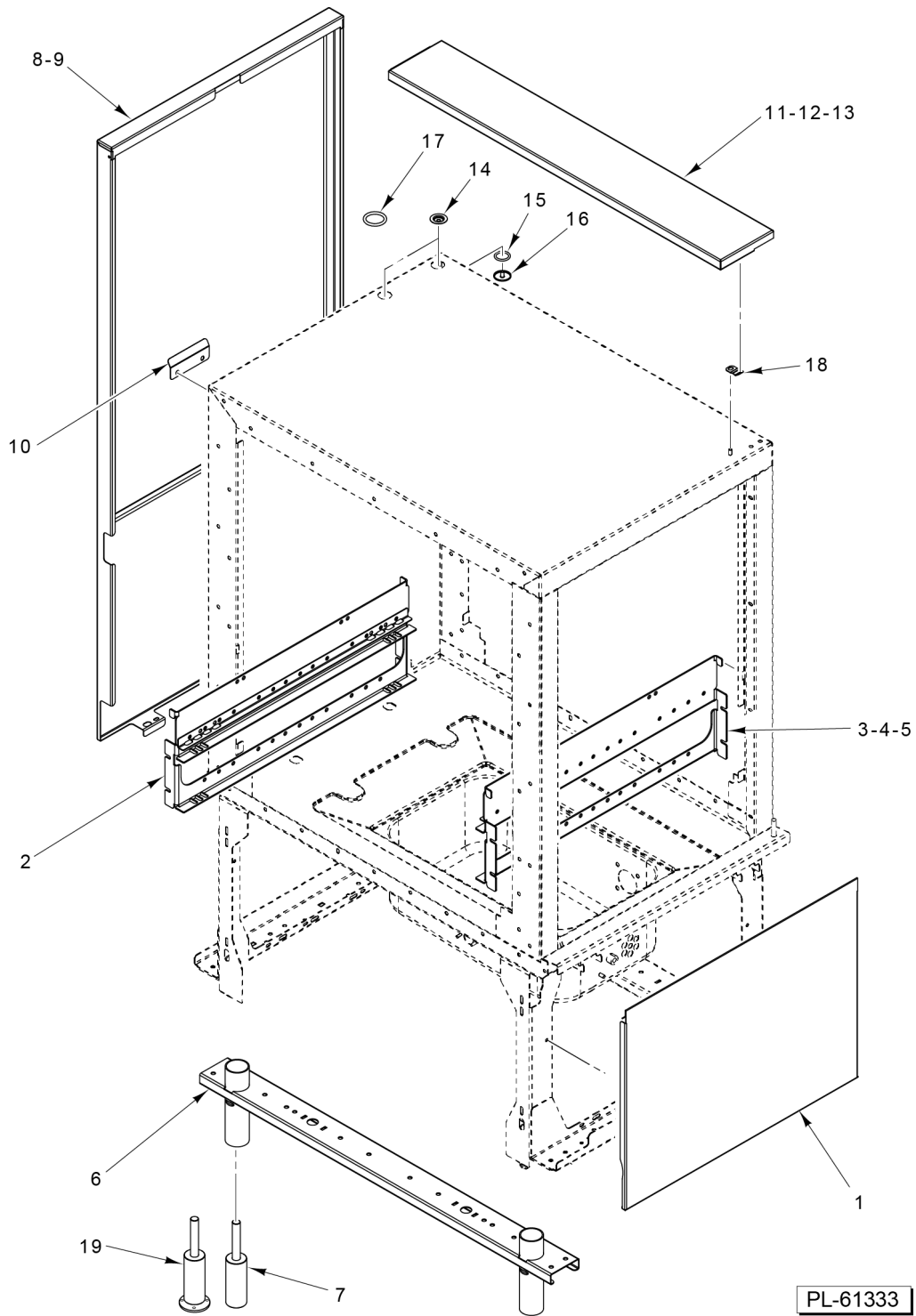


PL-61332

**SLIDING DOOR COMPONENTS
(DUAL RINSE)
(STARTING S/N 271196838)**

**SLIDING DOOR COMPONENTS
(DUAL RINSE)
(STARTING S/N 271196838)**

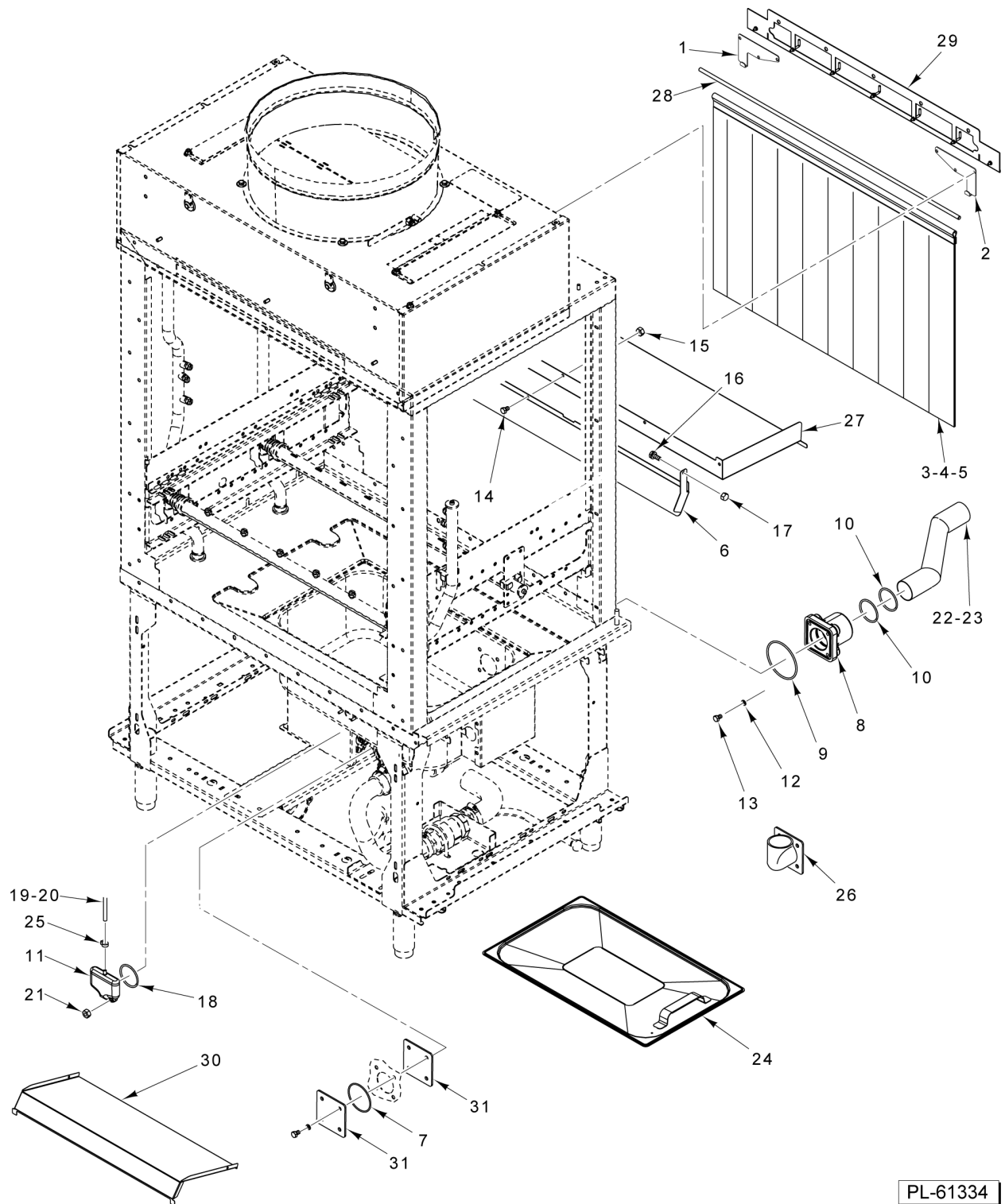
ILLUS. PL-61332	PART NO.	NAME OF PART	AMT.
1	00-563356-00002	Seal Assy. (Upper) (Incls. Washers and Gasket).....	1
2	00-562757-00001	Gasket - Door Guide (STD).....	2
3	00-562757-00002	Gasket - Door Guide (HTS).....	2
4	00-562756-00001	Rail - Door Guide (STD).....	2
5	00-562756-00002	Rail - Door Guide (HTS).....	2
6	00-562758-00001	Slider Rail - Door Guide (STD).....	2
7	00-562758-00002	Slider Rail - Door Guide (HTS).....	2
8	00-974218	Plate - Backing, Spring, Door, Vertical.....	2
9	00-562764	Stop - Chamber Seal.....	2
10	00-974254-00002	Rod - Door Catch.....	1
11	PC-005-02	Cotter Pin 1/16 x 1/2 (SST).....	2
12	00-476978-00004	Catch (34 In. Split Door, Lower).....	1
13	00-473109-005-5	Switch Assy.....	1
14	00-950511-00003	Bracket - Spring Spool (Top Back Studs).....	1
15	00-950511-00002	Bracket - Spring Spool (Top Front Studs).....	1
16	00-950497-00003	Spring Assy. (Door) (STD) (Incls. Items 18 & 20 thru 23).....	1
17	00-950497-00004	Spring Assy. (Door) (HTS) (Incls. Items 19 thru 23).....	1
18	01-245278-00002	Spring - Door (STD).....	1
19	01-245278-00003	Spring - Door (HTS).....	1
20	01-245281-00001	Axle.....	1
21	00-950616-00002	Back Plate - End.....	1
22	00-950617-00002	End Plate.....	1
23	NS-031-15	Stop Nut 10-24 Hex (SST).....	2



**PANELS AND TRACKS
(DUAL RINSE)
(STARTING S/N 271196838)**

**PANELS AND TRACKS
(DUAL RINSE)
(STARTING S/N 271196838)**

ILLUS.	PART NO.	NAME OF PART	AMT.
PL-61333			
1	00-948510-00001	Panel - Trim (Front).....	1
2	00-948309-00005	Track Assy. (Dual Rinse Section) (Rear, All machines).....	1
3	00-948309-00005	Track Assy. (ASR Section) (Front, Hinged door machines).....	1
4	00-563160-00007	Track Assy. (Dual Rinse Section) (Front, L-R, Sliding door machines).....	1
5	00-563160-00008	Track Assy. (Dual Rinse Section) (Front, R-L, Sliding door machines).....	1
6	00-948446-00002	Support - Frame (Incls. Item 7).....	1
7	00-948374	Foot Assy.....	4
8	00-562258-00002	Panel - Back (Standard Height).....	1
9	00-562258-00005	Panel - Back (6 In. Higher Than Standard).....	1
10	00-948472-00001	Bracket - Back Panel Support.....	1
11	00-948467-00002	Panel - Top (R-L).....	1
12	00-948467-00003	Panel - Top (L-R).....	1
13	00-562809-00003	Panel - Top (Sliding door machines).....	1
14	00-119254	Retainer - Cap & Stud.....	2
15	00-067500-00031	O-Ring.....	2
16	00-119244	Cap & Stud Assy.....	2
17	00-949887	Seal.....	2
18	00-948471	Bracket - Panel (R-L & L-R).....	1
19	00-949980	Foot Assy. - Flanged (Set of 2).....	AR

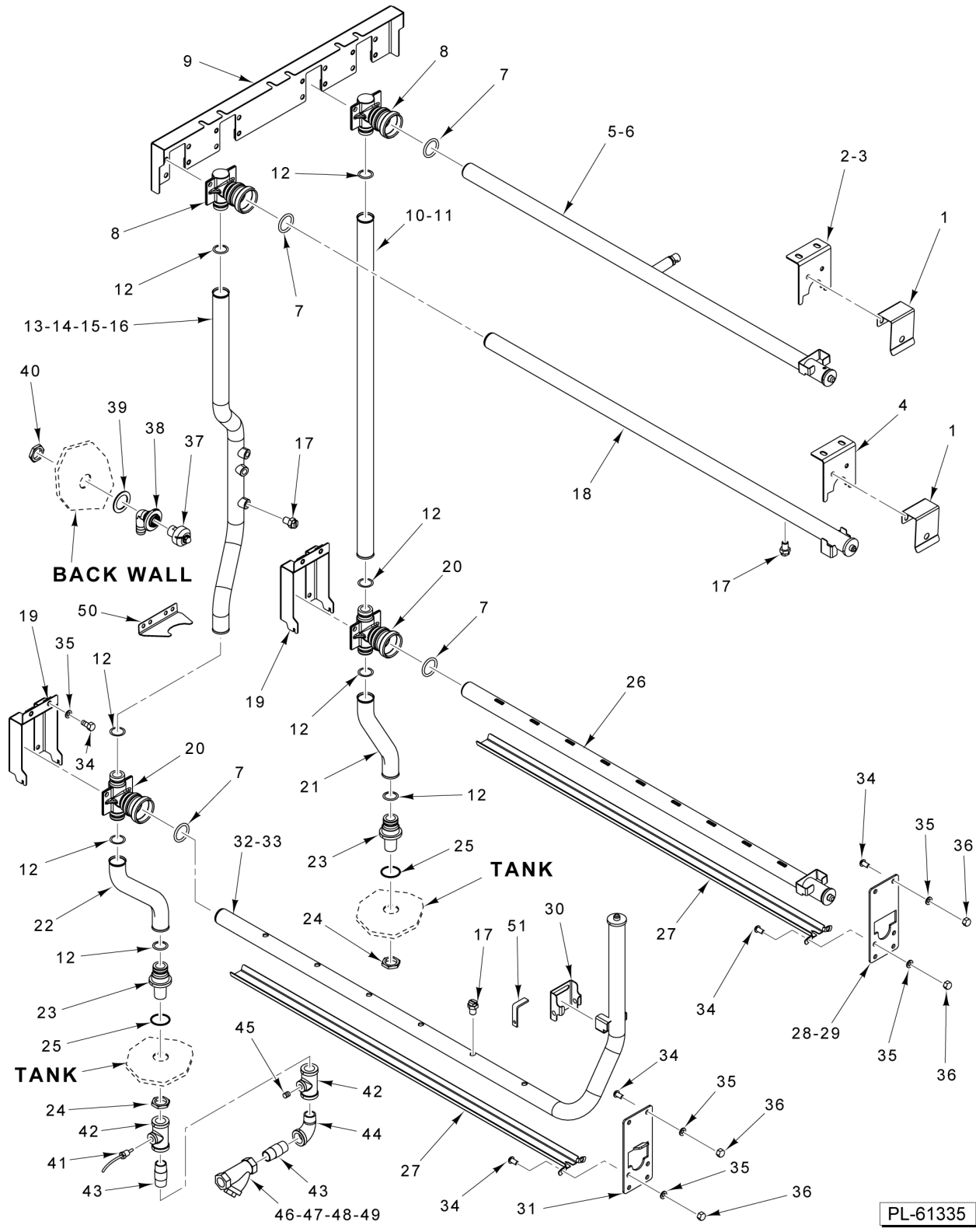


PL-61334

**WATER RECOVERY AND CONTAINMENT
(DUAL RINSE)**

**WATER RECOVERY AND CONTAINMENT
(DUAL RINSE)**

ILLUS.	PART NO.	NAME OF PART	AMT.
PL-61334			
1	00-562086-00001	Hanger - Curtain.....	1
2	00-562086-00002	Hanger - Curtain.....	1
3	00-948730	Curtain (Standard Height).....	1
4	00-948730-00002	Curtain (6 In. Higher Than Standard).....	1
5	00-950029	Curtain (3-Ply) (Security) (Security).....	1
6	00-562256-00001	Plate - Deflector.....	1
7	00-476138	Gasket - Flow Back Plate.....	1
8	00-476129	Coupling - Flow Back Pipe.....	1
9	00-067500-00132	O-Ring.....	1
10	00-067500-00134	O-Ring.....	2
11	00-942151-00001	Trap - Air.....	1
12	WL-006-17	Lockwasher 1/4 Helical (SST).....	8
13	SC-041-09	Cap Screw 5/16-18 x 1/2 Hex Hd. (SST).....	8
14	SC-132-76	Cap Screw 1/4-20 x 3/4.....	AR
15	NS-031-21	Stop Nut 1/4-20 Hex (SST).....	AR
16	SC-132-76	Cap Screw 1/4-20 x 3/4.....	AR
17	NS-025-04	Crown Nut 1/4-20 (SST).....	AR
18	OR-001-21	O-Ring.....	1
19	00-949941-00010	Hose (L-R).....	1
20	00-949941-00011	Hose (R-L).....	1
21	NS-031-08	Stop Nut 8-32 Special (SST).....	2
22	00-949385-00001	Pipe - Weldment (Flowback) (L-R).....	1
23	00-949385-00002	Pipe - Weldment (Tube - Flowback).....	1
24	00-948412-00010	Filter - Screen (Dual Rinse Section).....	1
25	00-113156-00001	Clamp - Spring Action Hose.....	1
26	00-949359-00002	Flowback Weldment.....	1
27	00-562257-00002	Pan - Deflector (9.87 In.).....	1
28	00-120267-00004	Rod - Curtain (35-1/4 In.).....	1
29	00-950032-00002	Hanger - Curtain (Security).....	1
30	00-562282	Pan - Flowback.....	1
31	00-949357-00002	Plate - Flowback.....	2

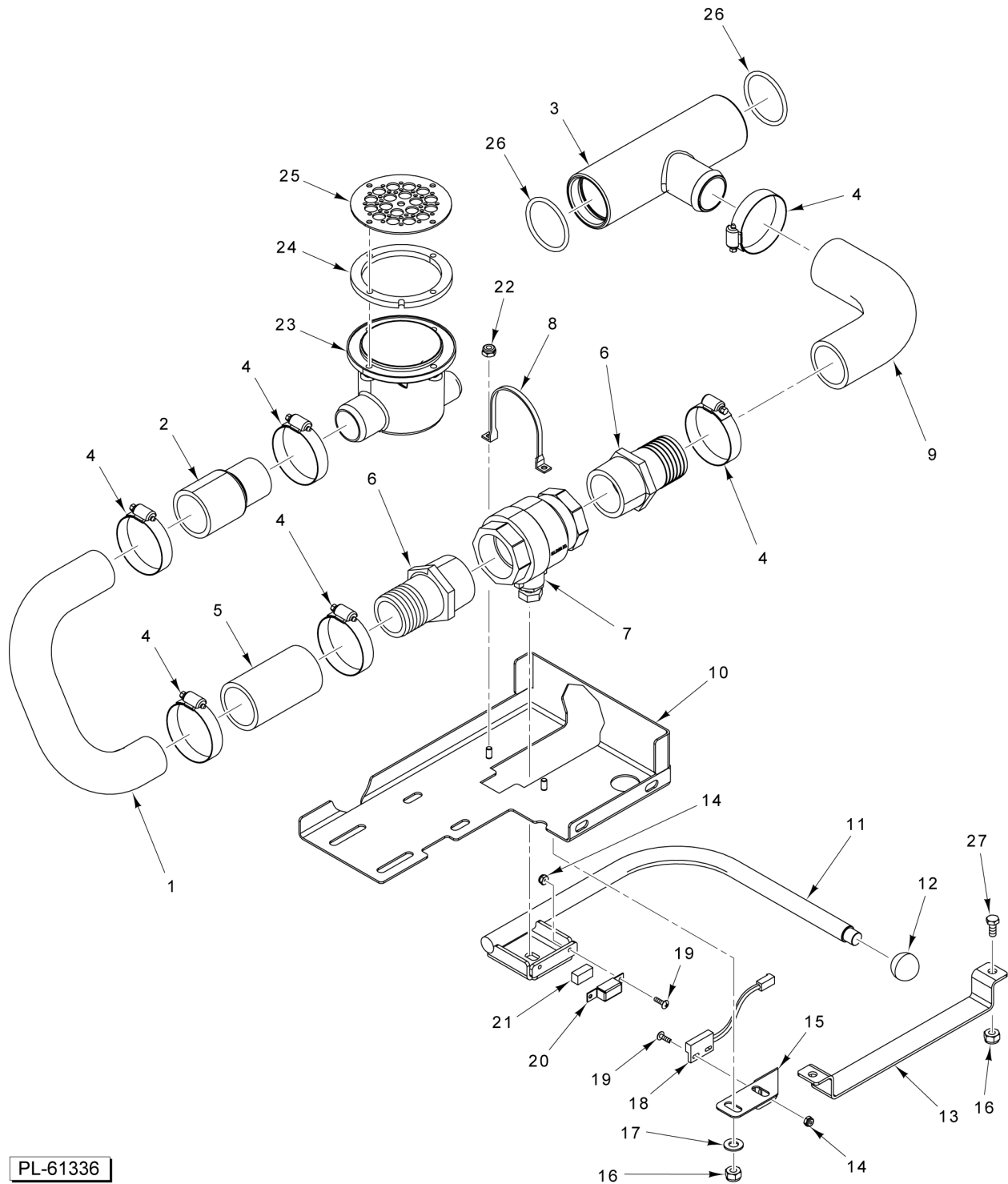


PL-61335

**RINSE ARMS AND MANIFOLDS
(DUAL RINSE)**

**RINSE ARMS AND MANIFOLDS
(DUAL RINSE)**

ILLUS.	PART NO.	NAME OF PART	AMT.
PL-61335			
1	00-948159-00001	Retainer - Rinse Arm.....	2
2	00-948158-00001	Bracket - Rinse Arm (Upper) (R-L).....	1
3	00-948158-00002	Bracket - Rinse Arm (Upper) (L-R).....	1
4	00-948158-00003	Bracket - Rinse Arm (Upper).....	1
5	00-948203-00004	Arm - Rinse (Upper) (R-L).....	1
6	00-948203-00003	Arm - Rinse (Upper) (L-R).....	1
7	00-067500-00031	O-Ring.....	4
8	00-948623-00002	Hub - Rinse.....	2
9	00-948152-00003	Bracket - Hub Rinse (Upper).....	1
10	00-948082-00003	Tube - Riser (Standard Height).....	1
11	00-948082-00004	Tube - Riser (6 In. Higher Than Standard).....	1
12	00-067500-00078	O-Ring.....	8
13	00-948566-00001	Tube - Final Rinse (Standard Height) (R-L).....	1
14	00-948566-00002	Tube - Final Rinse (6 In. Higher Than Standard) (R-L).....	1
15	00-948563-00001	Tube - Final Rinse (Standard Height) (L-R).....	1
16	00-948563-00002	Tube - Final Rinse (6 In. Higher Than Standard) (L-R).....	1
17	00-948496-00010	Nozzle.....	AR
18	00-948524-00002	Arm - Rinse (Upper).....	1
19	00-948162-00001	Bracket - Hub Rinse.....	2
20	00-948623-00001	Hub - Rinse (Lower).....	2
21	00-948036-00003	Tube - Offset (Lower) (Dual Rinse).....	1
22	00-948036-00002	Tube - Offset (Lower) (Final Rinse).....	1
23	00-948546-00001	Fitting - Barbed.....	2
24	FP-030-16	Lock Nut 1/2 Pipe (Brass).....	2
25	00-949432-00002	O-Ring.....	2
26	00-948051-00002	Arm - Rinse (Lower).....	1
27	00-948161-00002	Guide - Rinse Arm.....	2
28	00-948160-00004	Bracket - Lower Arm Support (Dual Rinse) (R-L).....	1
29	00-948160-00005	Bracket - Lower Arm Support (Dual Rinse) (L-R).....	1
30	00-562578	Kit - Hold Down.....	1
31	00-948307-00001	Bracket - Lower Arm Support.....	1
32	00-948493-00002	Arm - Rinse (Lower) (R-L).....	1
33	00-948490-00002	Arm - Rinse (Lower) (L-R).....	1
34	SC-131-96	Screw.....	AR
35	WL-006-17	Lockwasher 1/4 Helical (SST).....	AR
36	NS-047-82	Stop Nut 1/4-20 Hex (SST).....	AR
37	01-297394-00001	Nozzle (Cleaning Tank).....	2
38	01-533129	Coupling - Angled.....	2
39	00-949935	Seal.....	2
40	FP-030-16	Lock Nut 1/2 Pipe (Brass).....	2
41	00-328994	Probe Assy. - Rinse.....	1
42	FP-019-21	Tee - Pipe 1/2 x 1/2 x 1/2 (Brass).....	2
43	FP-040-43	Pipe 1/2 x 1-1/4 TBE (Brass).....	2
44	FP-015-17	Elbow - Pipe 1/2 x 90 Deg. (Brass).....	1
45	FP-027-06	Bushing - Pipe 1/2 To 1/8 (Brass).....	1
46	00-270258	Strainer - Line (1/2) (Brass) (Incls. Items 47, 48, & 49).....	1
47	00-270259	Plug - Branch.....	1
48	00-270260	Screen - Strainer (1/2 In.).....	1
49	00-270261	Gasket.....	1
50	00-949960-00001	Lock - Rinse Arm.....	1
51	00-562545	Bracket - Hold Down.....	1

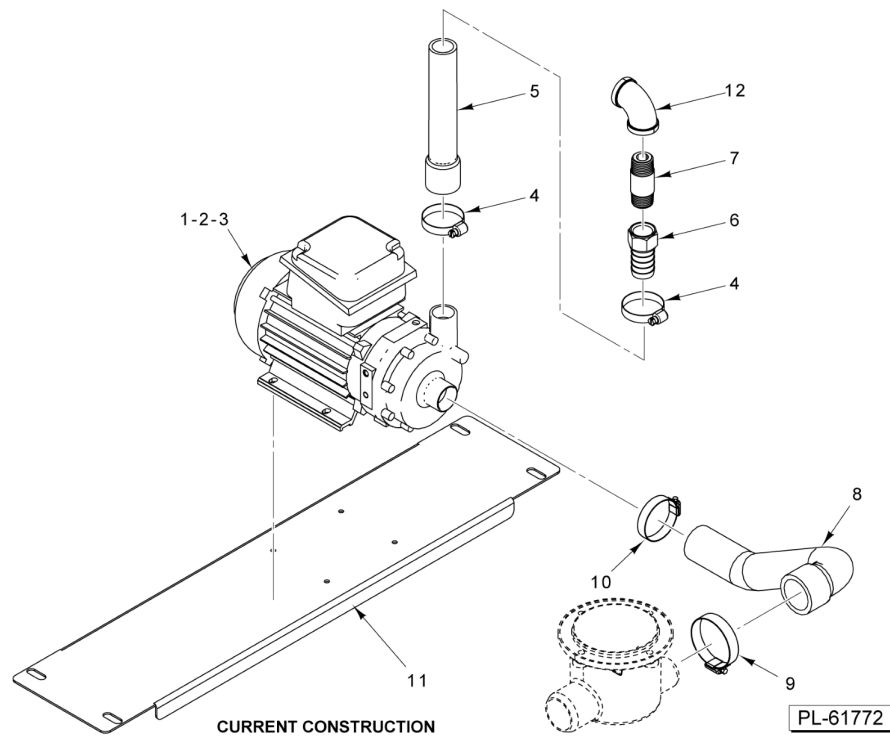
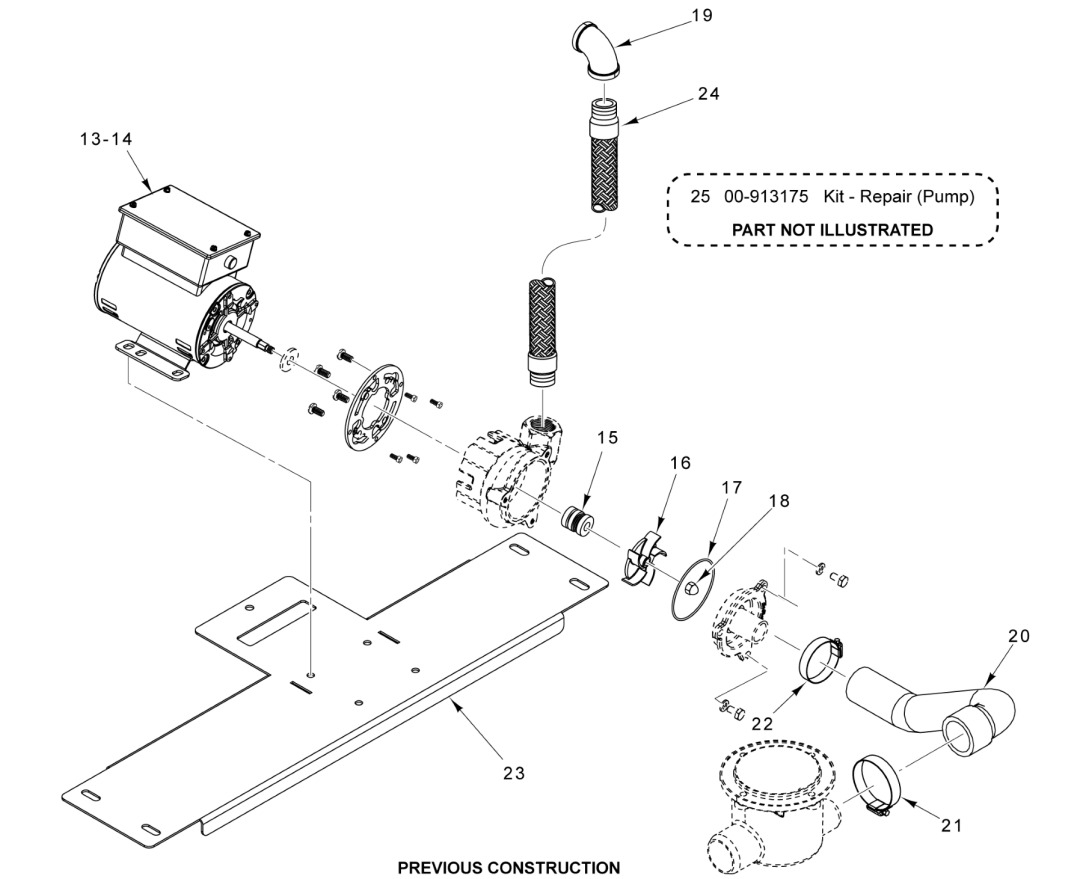


PL-61336

**TANK DRAIN ASSEMBLY
(DUAL RINSE)**

TANK DRAIN ASSEMBLY (DUAL RINSE)

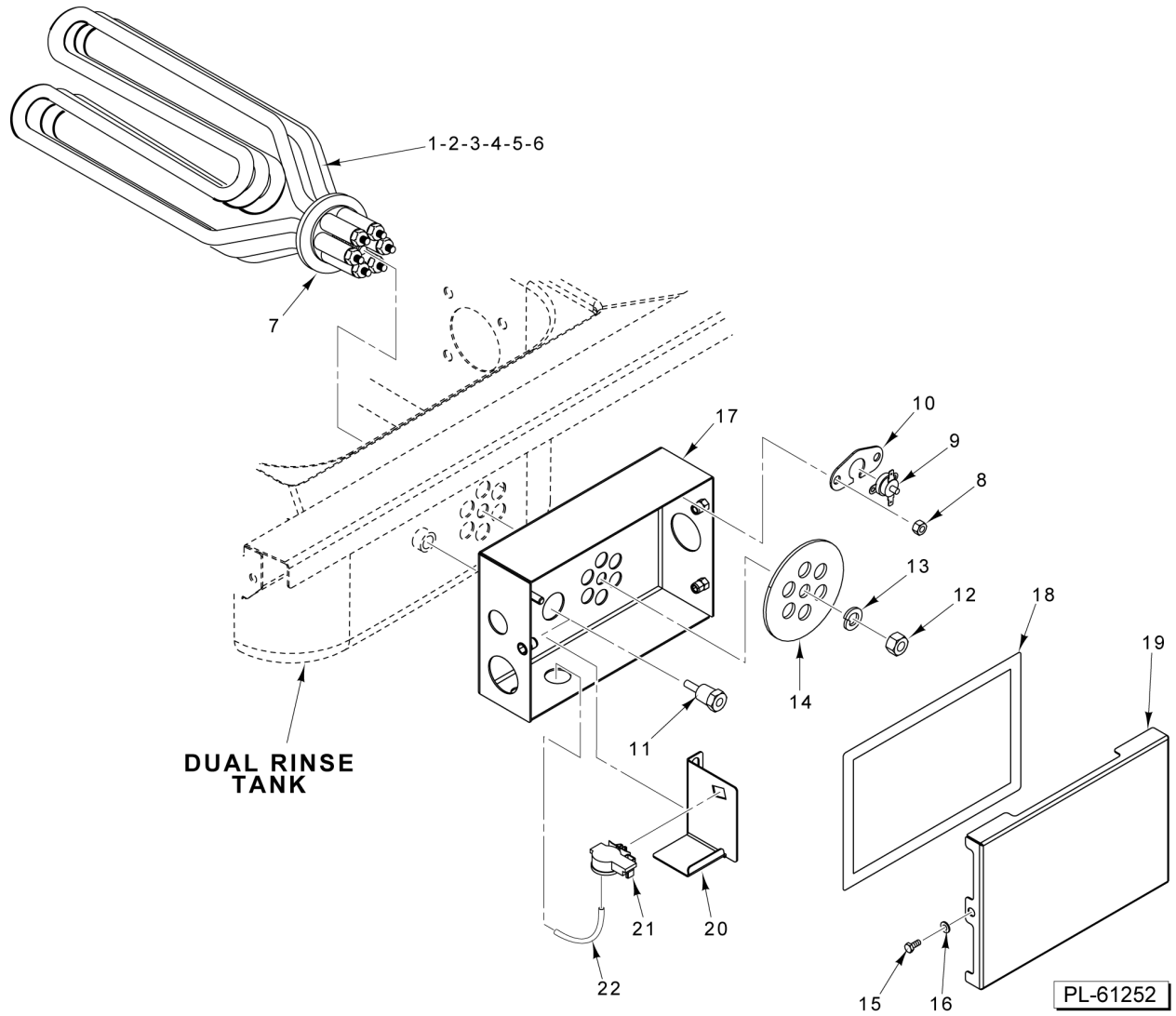
ILLUS. PL-61336	PART NO.	NAME OF PART	AMT.
1	00-949141-00002	Tube - Drain.....	1
2	00-950016	Hose - Adapter 1-1/2 to 1-3/4.....	1
3	00-970906	Tee - Drain.....	1
4	00-538412	Clamp - Hose.....	6
5	00-949132-00003	Hose - Drain (Straight).....	1
6	FP-091-66	Fitting - Hose Barb.....	2
7	00-949070	Valve Assy.....	1
8	00-974839	Clamp - Drain.....	1
9	00-949133	Hose - Drain (Elbow).....	1
10	00-948758	Bracket - Drain Valve.....	1
11	00-949162	Handle - Drain.....	1
12	00-949423	Knob.....	1
13	00-949158	Support - Drain Handle.....	1
14	NS-031-50	Stop Nut 6-32 Hex (SST).....	4
15	00-949161	Bracket - Drain Switch.....	1
16	NS-031-21	Stop Nut 1/4-20 Hex (SST).....	AR
17	WS-005-32	Washer (SST).....	AR
18	00-473109-005-2	Switch - Interlock.....	1
19	SC-066-03	Mach. Screw 6-32 x 1/2 Phil. Truss Hd. (SST).....	4
20	00-893111	Magnet - Mount.....	1
21	00-111941	Magnet.....	1
22	NS-047-82	Stop Nut 1/4-20 Hex (SST).....	2
23	00-323802-00001	Drain Body.....	1
24	00-948360	Gasket - Manifold.....	1
25	00-947920-00002	Plate - Strainer (Dual Rinse).....	1
26	00-067500-00019	O-Ring.....	2
27	SC-041-05	Cap Screw 1/4-20 x 5/8 Hex Hd. (SST).....	2



**PUMP ASSEMBLY
(DUAL RINSE)**

**PUMP ASSEMBLY
(DUAL RINSE)**

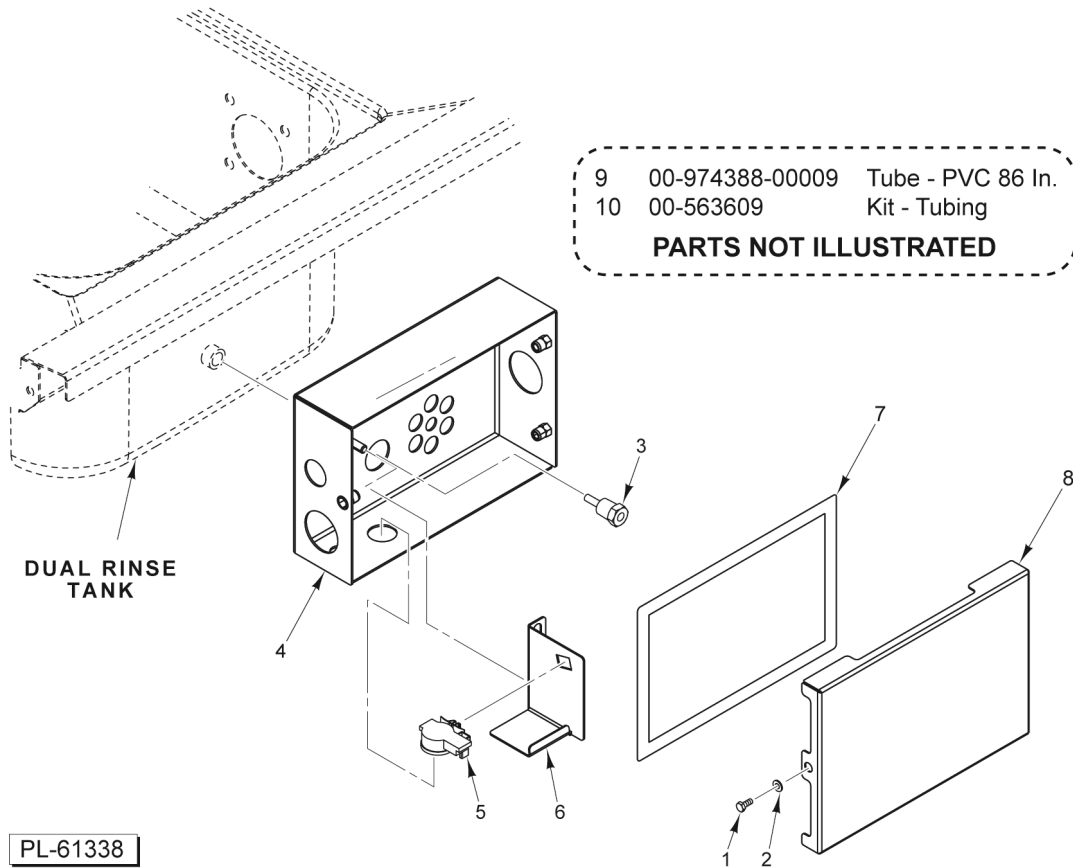
ILLUS.	PART NO.	NAME OF PART	AMT.
PL-61772			
1	00-947899-00001	Pump Motor Assy. (208-240/440-480 V., 60 Hz., 3 Ph.).....	1
2	00-947899-00004	Pump Motor Assy. (208-240/440-480 V., 60 Hz., 3 Ph.).....	1
3	00-947899-00003	Pump Motor Assy. (600 V., 60 Hz., 3 Ph.).....	1
4	00-557627	Clamp - Hose.....	2
5	00-563043	Hose (Pump to Rinse).....	1
6	FP-091-72	Fitting.....	1
7	00-950083-00009	Restrictor.....	1
8	00-950017	Hose - Elbow (Inlet).....	1
9	00-538412	Clamp - Hose.....	1
10	00-521687	Clamp - Hose.....	1
11	00-563288	Bracket - Pump Mounting.....	1
12	FP-015-15	Elbow - Pipe 1/2 x 45 Deg. (Brass).....	1
13	00-918238-00007	Pump & Motor Assy. (230-460 V., 60 Hz., 3 Ph.).....	1
14	00-918238-00008	Pump & Motor Assy. (575 V., 60 Hz., 3 Ph.).....	1
15	00-918258-00006	Seal, Mechanical.....	1
16	00-918258-00007	Impeller.....	1
17	00-918258-00010	O-Ring.....	1
18	00-918258-00008	Nut - Acorn.....	1
19	FP-015-16	Elbow - Pipe 1/2 x 90 Deg. (Brass).....	1
20	00-950017	Hose - Elbow (Inlet).....	1
21	00-538412	Clamp - Hose.....	1
22	00-521687	Clamp - Hose.....	1
23	00-949376	Bracket - Pump Support.....	1
24	00-918390-00006	Hose - Braided Water 1/2 x 22 In. (SST).....	1
25	00-913175	Kit - Repair (Pump) (Incls. Seal, O-Ring, & Acorn Nut).....	1



**ELECTRIC TANK HEAT
(DUAL RINSE)**

**ELECTRIC TANK HEAT
(DUAL RINSE)**

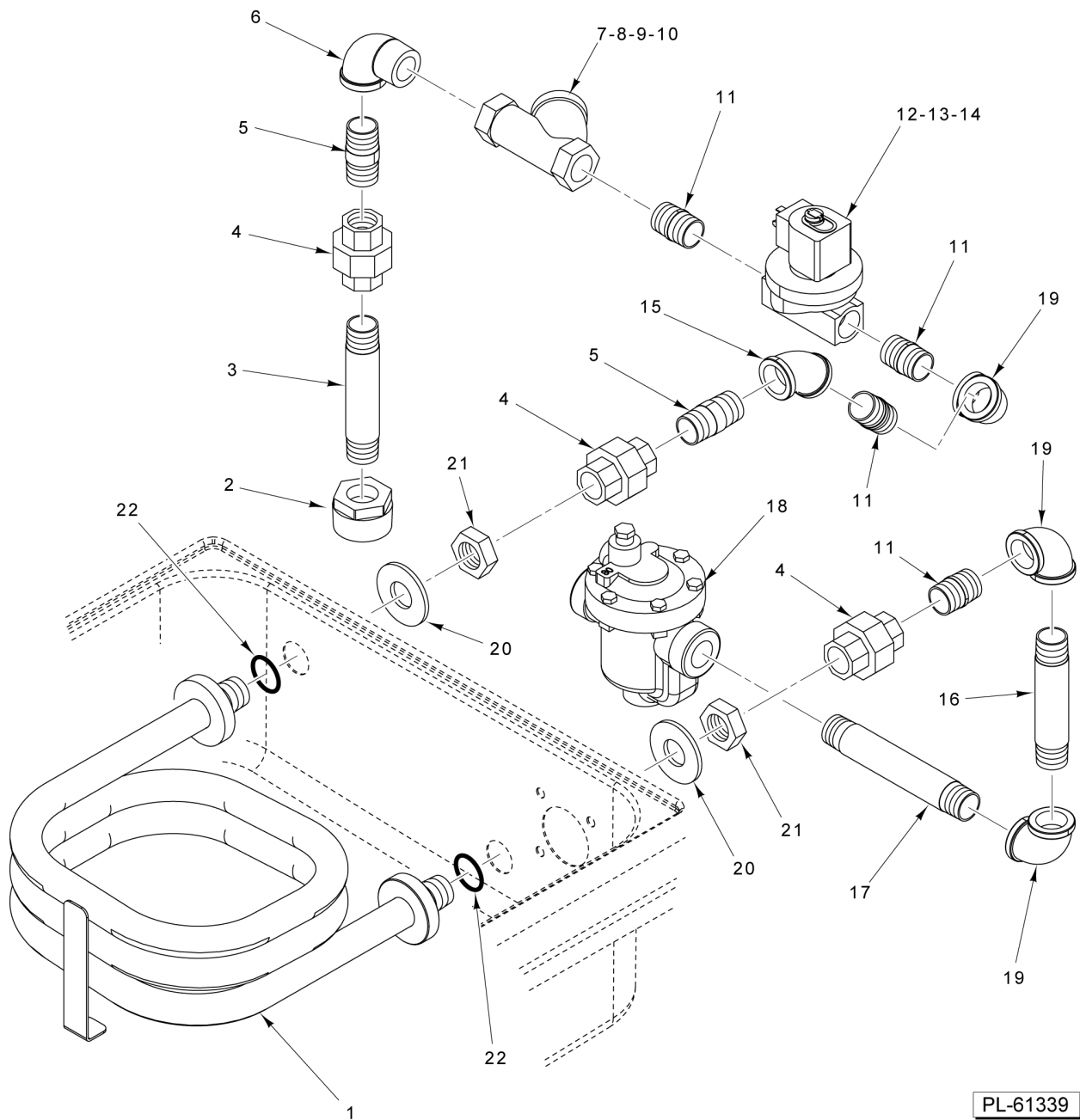
ILLUS. PL-61252	PART NO.	NAME OF PART	AMT.
1	00-562096-00001	Heater - 10.7 kW (208 V.).....	1
2	00-562096-00002	Heater - 10.7 kW (240 V.).....	1
3	00-562096-00003	Heater - 10.7 kW (380 V.).....	1
4	00-562096-00004	Heater - 10.7 kW (480 V.).....	1
5	00-562096-00005	Heater - 10.7 kW (600 V.).....	1
6	00-562096-00006	Heater - 10.7 kW (415 V.).....	1
7	00-067500-00034	O-Ring.....	1
8	NS-031-15	Stop Nut 10-24 Hex (SST).....	2
9	00-294615-00001	Control - Temperature.....	1
10	00-475967	Bracket - High Limit.....	1
11	00-328994	Probe Assy. - Rinse.....	1
12	NS-015-13	Nut 3/8-16 Hex (SST).....	1
13	WL-006-27	Lockwasher 3/8 Helical (SST).....	1
14	00-949796	Plate - Electric Heat.....	1
15	SC-041-05	Cap Screw 1/4-20 x 5/8 Hex Hd. (SST).....	AR
16	WL-006-17	Lockwasher 1/4 Helical (SST).....	AR
17	00-974877	Box - Dual Rinse.....	1
18	00-974947	Gasket - Dual Rinse Box.....	1
19	00-974876	Lid - Dual Rinse Box.....	1
20	00-974879	Bracket - Pressure Switch.....	1
21	00-974533	Pressure Transducer.....	1
22	00-974388-00004	Tube - PVC (136").....	AR



**THERMISTOR BOX
(STEAM ONLY)
(DUAL RINSE)**

**THERMISTOR BOX
(STEAM ONLY)
(DUAL RINSE)**

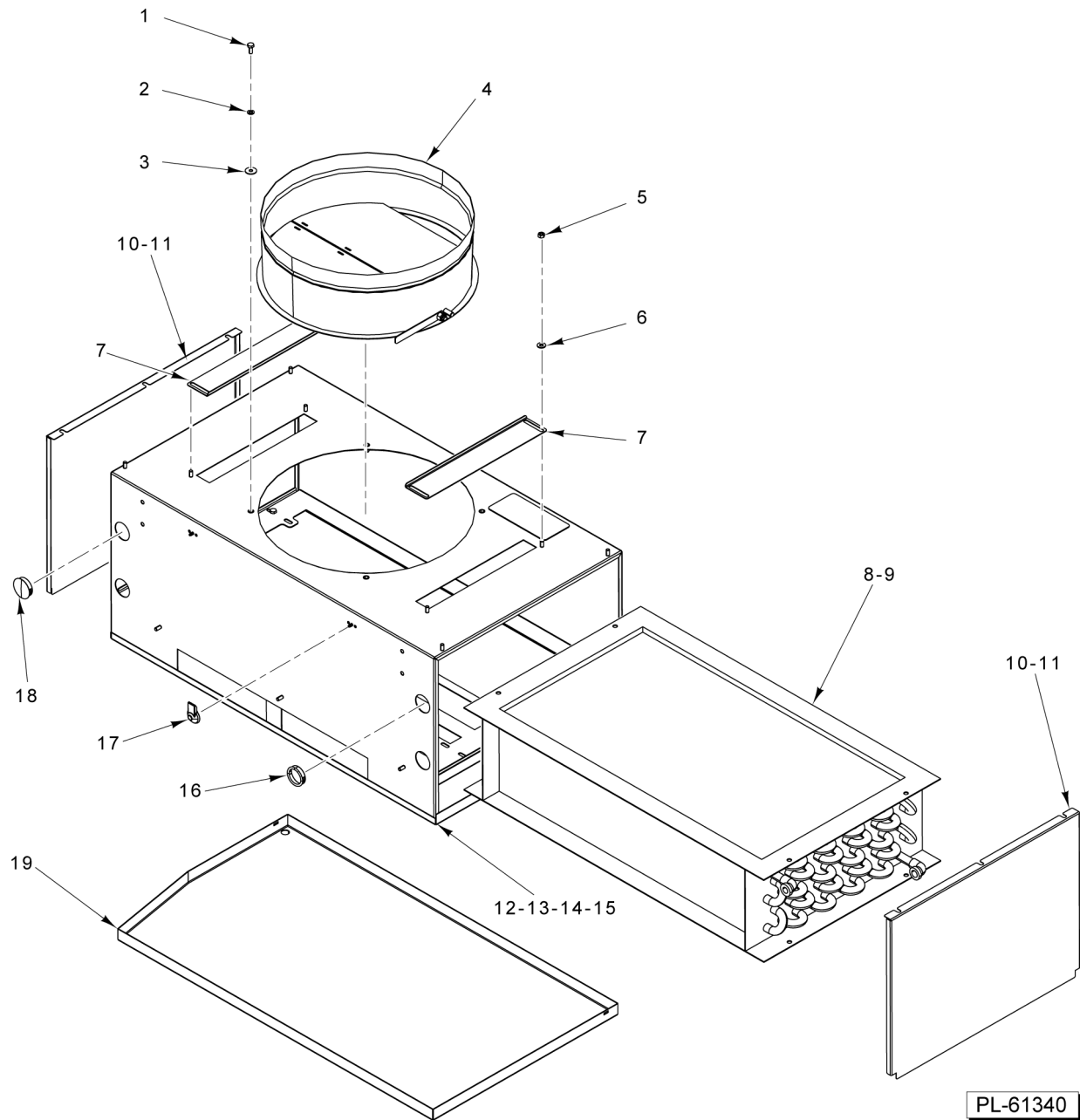
ILLUS.	PART NO.	NAME OF PART	AMT.
PL-61338			
1	SC-041-05	Cap Screw 1/4-20 x 5/8 Hex Hd. (SST).....	AR
2	WL-006-17	Lockwasher 1/4 Helical (SST).....	AR
3	00-328994	Probe Assy. - Rinse.....	1
4	00-974877	Box - Dual Rinse.....	1
5	00-974533	Pressure Transducer.....	1
6	00-974879	Bracket - Pressure Switch.....	1
7	00-974947	Gasket - Dual Rinse Box.....	1
8	00-974876	Lid - Dual Rinse Box.....	1
9	00-974388-00009	Tube - PVC (86").....	AR
10	00-563609	Kit - Tubing, Metalflex Sensor.....	AR



**STEAM TANK HEAT
(DUAL RINSE)**

**STEAM TANK HEAT
(DUAL RINSE)**

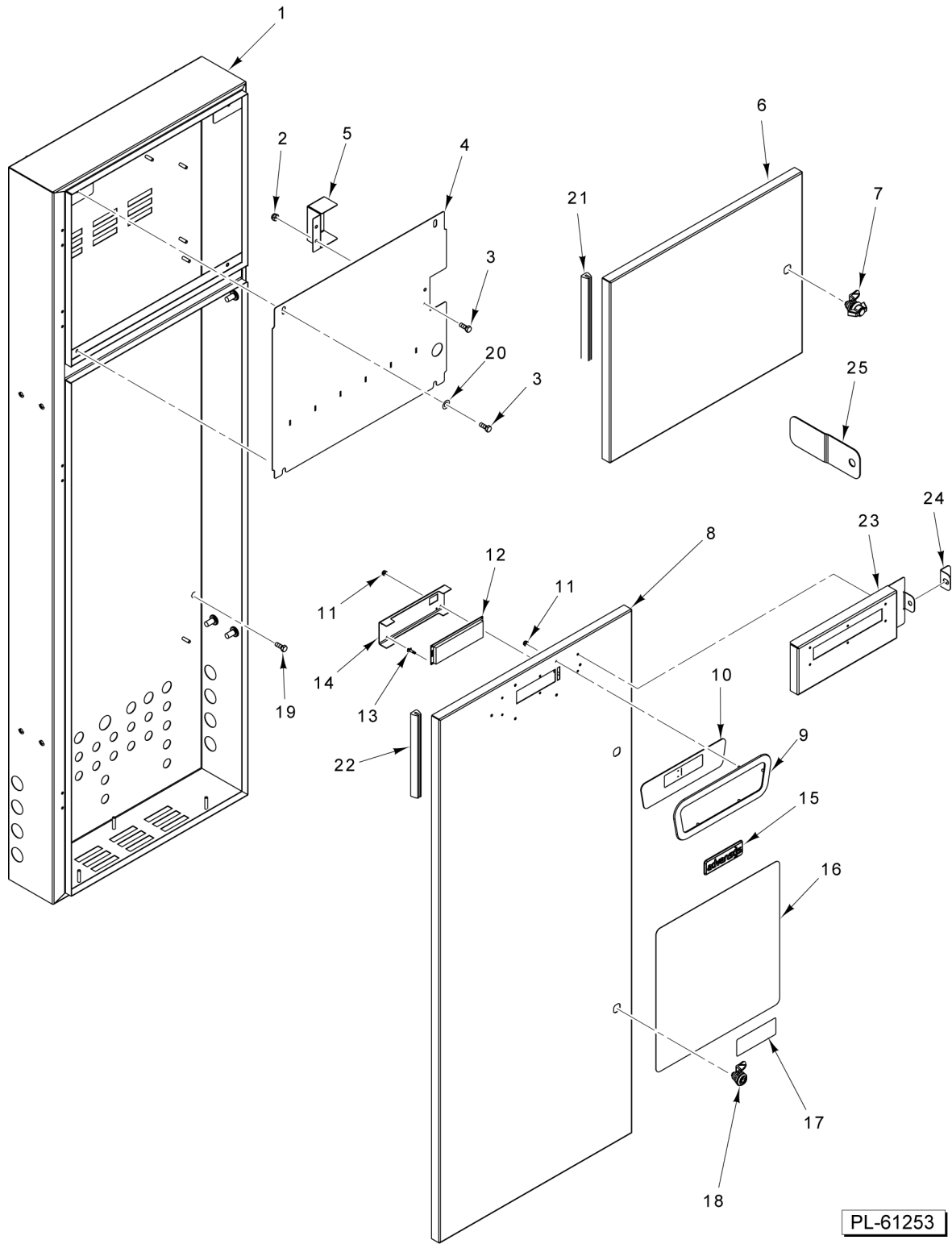
ILLUS.	PART NO.	NAME OF PART	AMT.
PL-61339			
1	00-948660	Steam Coil Assy.....	1
2	FP-026-34	Bushing 1-1/2 to 3/4 Inside Hex Reducing.....	1
3	FP-036-11	Pipe 3/4 x 5.....	1
4	FP-022-17	Union 3/4 (Grd. Seat).....	3
5	FP-036-95	Pipe 3/4 x 2 TBE.....	2
6	FP-078-86	Elbow - Street 3/4 x 90 Deg.....	1
7	00-186922	Strainer - Line (3/4 In.) (Brass) (Incls. Items 8, 9, & 10).....	1
8	00-186923	Plug - Branch.....	1
9	00-186924	Gasket - Branch Plug.....	1
10	00-186925	Screen - Line Strainer.....	1
11	FP-036-92	Pipe 3/4 x 1-3/8 TBE (Black).....	4
12	00-749983	Valve - Steam (3/4 In.) (125 PSI) (Incls. Item 13).....	1
13	00-892038	Coil - Solenoid Valve (110-120 V.).....	1
14	00-892072	Kit - 3/4 In. Valve Service.....	1
15	FP-013-20	Elbow 3/4 x 45 Deg.....	1
16	FP-036-10	Pipe 3/4 x 4-3/4 TBE.....	1
17	FP-059-65	Pipe 3/4 x 6 TBE.....	1
18	00-118317	Steam Trap (21-50 PSI).....	1
19	FP-013-22	Elbow Pipe 3/4 x 90 Deg.....	3
20	WS-013-45	Washer (SST).....	2
21	FP-053-09	Lock Nut 3/4 NPSL (SST).....	2
22	00-067500-00019	O-Ring.....	2



**ENERGY RECOVERY
(DUAL RINSE)**

**ENERGY RECOVERY
(DUAL RINSE)**

ILLUS. PL-61340	PART NO.	NAME OF PART	AMT.
1	SC-041-05	Cap Screw 1/4-20 x 5/8 Hex Hd. (SST).....	4
2	WL-006-17	Lockwasher 1/4 Helical (SST).....	4
3	WS-003-47	Washer (SST).....	4
4	00-974507	Duct - Damper.....	1
5	NS-015-01	Nut 1/4-20 Hex (SST).....	4
6	WS-017-06	Washer (SST).....	4
7	00-948319-00001	Plate - Damper.....	2
8	00-948039-00002	Coil - Energy Recovery.....	1
9	00-948039-00003	Coil - Energy Recovery.....	1
10	00-974767-00001	Cover - Plenum.....	2
11	00-974767-00002	Cover - Plenum.....	2
12	00-974505-00001	Enclosure - Plenum.....	1
13	00-974505-00002	Enclosure - Plenum.....	1
14	00-974505-00003	Enclosure - Plenum.....	1
15	00-974505-00004	Enclosure - Plenum.....	1
16	FE-025-65	Bushing - Electrical.....	2
17	00-948092	Retainer - Panel.....	2
18	PB-005-34	Plug.....	2
19	00-950568	Pan.....	1



CONTROL BOX ASSEMBLY

CONTROL BOX ASSEMBLY

ILLUS. PL-61253	PART NO.	NAME OF PART	AMT.
1	00-949057	Box Assy. - Control.....	1
2	NS-031-21	Stop Nut 1/4-20 Hex (SST).....	2
3	SC-041-50	Cap Screw 1/4-20 x 1/2 Hex Hd. (SST).....	4
4	00-949170	Cover - Circuit Breaker.....	1
5	00-949412	Bracket - Latch.....	1
6	00-949186	Door - Control Box (Upper).....	1
7	00-949414	Latch - Wing Knob.....	1
8	00-949191	Door - Control Box (Lower).....	1
9	00-919232	Plate - Keypad Trim.....	1
10	00-948595	Keypad - Membrane.....	1
11	NS-031-15	Stop Nut 10-24 Hex (SST).....	11
12	00-949351	Display - Graphic.....	1
13	00-329056-00003	Standoff - Dual Locking.....	4
14	00-949210	Plate - Display Mounting.....	1
15	00-941420	Logo - Advansys.....	1
16	00-918418	Label - Instruction.....	1
17	00-438131-00194	Label - Warning, Trilingual.....	1
18	00-949413	Latch - Hex Key.....	2
19	SC-041-12	Cap Screw 5/16-18 x 7/8 Hex Hd. (SST).....	4
20	WS-017-06	Washer (SST).....	2
21	00-476871-00008	Gasket (Upper Door).....	1
22	00-476871-00009	Gasket (Lower Door).....	1
23	00-950033	Cover - Control Panel Access (Security).....	1
24	00-950043	Bracket - Door Locking (Control Box) (Security).....	1
25	00-950042	Bracket - Door Locking (Control Box) (Security).....	2

Item Number	Cable Designation	Description	Module
1	J38	Cable (Switch Box) (2-4 Ft.)	LOAD
2	J38	Cable (Switch Box) (4-8 Ft.)	LOAD
3	J38	Cable (Switch Box) (8-12 Ft.)	LOAD
4	6DS, 8LS	Switch Assy. (Drain & Door Switch)	ASR
5	-	Cable (Jumper) (Drain & Door Switch)	ASR
6	8MTR	Cable (Pump Motor) (FT1000e)	ASR
7	8MTR	Cable (Pump Motor) (FT1000Se)	ASR
8	9MTR	Cable (Soil Motor) (FT1000e)	ASR
9	9MTR	Cable (Soil Motor) (FT1000Se)	ASR
10	J19	Cable (Float)	ASR
11	5DS, 6LS, 7LS	Switch Assy. (Drain & Door Switch) (FT1000e)	PREWASH
12	4DS, 4LS, 5LS	Switch Assy. (Drain & Door Switch) (FT1000Se)	PREWASH
13	-	Cable (Jumper) (Drain & Door Switch)	PREWASH
14	J20	Cable (Tank 3 Floats) (L-R)	PREWASH
15	J20	Cable (Tank 3 Floats) (R-L)	PREWASH
16	3MTR	Cable (Tank 3 Motor) (L-R)	PREWASH
17	3MTR	Cable (Tank 3 Motor) (R-L)	PREWASH

PL-61254

**CABLES
(LOAD, ASR, & PREWASH)**

**CABLES
(LOAD, ASR, & PREWASH)**

ILLUS.	PART NO.	NAME OF PART	AMT.
PL-61254			
1	00-949844-023-1	Cable - Load Start/Stop.....	1
2	00-949844-023-2	Cable - Load Start/Stop.....	1
3	00-949844-023-3	Cable - Load Start/Stop.....	1
4	00-473109-005-1	Switch - Interlock.....	2
5	00-949844-00009	Cable (Jumper).....	1
6	00-949844-001-1	Cable.....	1
7	00-949844-001-2	Cable.....	1
8	00-949844-002-1	Cable.....	1
9	00-949844-002-2	Cable.....	1
10	00-949844-00019	Cable.....	1
11	00-473109-005-1	Switch - Interlock (FT1000e).....	3
12	00-473109-005-1	Switch - Interlock (FT1000Se).....	3
13	00-949844-00009	Cable (Jumper).....	1
14	00-949844-013-1	Cable.....	1
15	00-949844-013-2	Cable.....	1
16	00-949844-034-1	Cable.....	1
17	00-949844-034-2	Cable.....	1

Item Number	Cable Designation	Description	Module
1	-	Cable (Frequency Drive)	CONTROL BOX
2	-	Cable (Relay Board Jumper)	CONTROL BOX
3	J14	Cable (Tank 1 Floats) (R-L)	CONTROL BOX
4	J14	Cable (Tank 1 Floats) (L-R)	CONTROL BOX
5	J12	Cable (Tank 2 Floats) (L-R)	CONTROL BOX
6	J12	Cable (Tank 2 Floats) (R-L)	CONTROL BOX
7	J22	Cable (Final Rinse Thermister)	CONTROL BOX
8	J29	Cable (Dual Rinse Thermister & Overload)	CONTROL BOX
9	J10, J42	Cable (Jumper) (Drain & Door Interlock)	CONTROL BOX
10	16MTR	Cable (Exhaust Fan Motor)	CONTROL BOX
11	-	Harness (Control Box to Booster Heater Box)	CONTROL BOX
12	-	Harness (Control Box to Dual Rinse Heater Box)	CONTROL BOX
13	-	Harness (Control Box to Tank 1 Heater Box) (R-L)	CONTROL BOX
14	-	Harness (Control Box to Tank 2 Heater Box) (R-L)	CONTROL BOX
15	-	Harness (Control Box to Tank 1 Heater Box) (L-R)	CONTROL BOX
16	-	Harness (Control Box to Tank 2 Heater Box) (L-R)	CONTROL BOX
17	J21	Harness (Keypad to Control Board)	CONTROL BOX
18	J5	Harness (Display to Control Board)	CONTROL BOX
19	J34	Harness (Fuses)	CONTROL BOX
20	J44	Harness (Master Drain) (8TB to Control Board)	CONTROL BOX
21	-	Harness (Blower Dryer) (Electric Heat)	CONTROL BOX
22	J41	Harness (Control Board to Frequency Inverter)	CONTROL BOX
23	J33	Harness (Contactor Electric Heat) (FT1000e)	CONTROL BOX
24	J33	Harness (Contactor Electric Heat) (FT1000Se)	CONTROL BOX
25	J49	Harness (Push Button)	CONTROL BOX
26a	J7	Harness (Pressure Sensor)	CONTROL BOX
26b	J35	Harness (Contactors)	CONTROL BOX
27	J35	Harness (Motor Contactor) (Without Blower Dryer)	CONTROL BOX
28	10MTR, 11MTR	Harness (Blower Dryer Motor)	CONTROL BOX
29	J47	Harness (Low Voltage Power)	CONTROL BOX
30	J54	Harness (Contactors) (Electric Heat)	CONTROL BOX
31	J33	Harness (Steam Valve) (10TB to Control Board)	CONTROL BOX
32	J54	Harness (Contactor) (Steam Heat)	CONTROL BOX
33	J24	Harness (Jumper) (Booster) (Steam Heat)	CONTROL BOX
34	16MTR	Cable (Exhaust Fan Motor) (ADVANSYS)	CONTROL BOX
35	-	Harness (Control Box to Booster Heater Box) (ADVANSYS)	CONTROL BOX
36	-	Harness (Control Box to Tank 2 Heater Box) (R-L) (ADVANSYS)	CONTROL BOX
37	-	Harness (Control Box to Tank 2 Heater Box) (L-R) (ADVANSYS)	CONTROL BOX
38	J34	Harness (Contactor Electric Heat) (ADVANSYS)	CONTROL BOX
39	J35	Harness (Motor Contactor) (ADVANSYS)	CONTROL BOX
40	J54	Harness (Contactors) (Electric Heat) (ADVANSYS)	CONTROL BOX
41	J55	Harness (Contactor) (Steam Heat) (ADVANSYS)	CONTROL BOX
42		Cable (Control Ex. Blower Dryer)	CONTROL BOX
43	J60	Harness (Proximity Switch)	CONTROL BOX
44	-	Cable (Thermistor Probe)	CONTROL BOX

PL-61255

**CABLES
(CONTROL BOX)**

**CABLES
(CONTROL BOX)**

ILLUS. PL-61255	PART NO.	NAME OF PART	AMT.
1	00-918580	Cable - Frequency Drive.....	1
2	00-949844-00006	Cable - Relay Board Jumper.....	1
3	00-949844-011-2	Cable.....	1
4	00-949844-012-1	Cable.....	1
5	00-949844-014-1	Cable.....	1
6	00-949844-00015	Cable.....	1
7	00-949844-00031	Cable (Jumper).....	1
8	00-949844-00036	Cable.....	1
9	00-949844-00031	Cable (Jumper).....	1
10	00-949845-00003	Harness.....	1
11	00-949845-00004	Harness.....	1
12	00-949845-00005	Harness.....	1
13	00-949845-00006	Harness.....	1
14	00-949845-00007	Harness.....	1
15	00-949845-00008	Harness (Keypad).....	1
16	00-949845-00009	Harness (Display).....	1
17	00-949845-00012	Harness.....	1
18	00-949845-00013	Harness.....	1
19	00-949845-014-3	Harness.....	1
20	00-949844-00056	Cable - VFD.....	1
21	00-949845-016-2	Harness.....	1
22	00-949845-016-3	Harness.....	1
23	00-949845-00017	Harness.....	1
24	00-949845-00018	Harness.....	1
25	00-949845-014-7	Harness.....	1
26	00-949845-019-3	Harness (Previous Construction).....	1
26	00-949845-019-10	Harness (Current Construction).....	1
27	00-949845-00021	Harness.....	1
28	00-949845-00022	Harness.....	1
29	00-949845-00023	Harness.....	1
30	00-949845-00024	Harness.....	1
31	00-949845-00026	Harness.....	1
32	00-949844-00053	Cable.....	1
33	00-949845-001-2	Harness (Advansys).....	1
34	00-949845-005-3	Harness (Advansys).....	1
35	00-949845-007-3	Harness (Advansys).....	1
36	00-949845-016-4	Harness (Advansys).....	1
37	00-949845-019-6	Harness (Advansys) (Previous Construction).....	1
37	00-949845-019-12	Harness (Advansys) (Current Construction).....	1
38	00-949845-022-2	Harness (Advansys).....	1
39	00-949845-024-2	Harness (Advansys).....	1
40	00-949845-00027	Harness (Advansys).....	1
41	00-949844-00051	Cable.....	1
42	00-949844-00054	Cable.....	1
43	00-949845-00029	Harness.....	1
44	00-949844-00058	Cable - Thermistor Probe.....	1

Item Number	Cable Designation	Description	Module
1	2DS, 1LS	Switch Assy. (Drain & Door Switch)	DUAL RINSE
2	19SOL	Cable (Steam Valve) (10TB to Valve)	DUAL RINSE
3	5MTR	Cable (Dual Rinse Motor)	DUAL RINSE
4	-	Cable (Jumper) (Drain & Door Switch)	DUAL RINSE
5	TAS	Cable (Jumper) (Thermal Overload)	DUAL RINSE
6	3DS, 2LS, 3LS	Switch Assy. (Drain & Door Switch)	POWER RINSE
7	16SOL	Cable (Tank 1 Steam Valve) (10TB to Valve) (FT1000e)	POWER RINSE
8	1MTR	Cable (Tank 1 Motor) (L-R) (FT1000e)	POWER RINSE
9	1MTR	Cable (Tank 1 Motor) (R-L) (FT1000e)	POWER RINSE
10	-	Cable (Exhaust Fan Motor Ground)	DUAL RINSE
11	TAS	Cable (Jumper) (Thermal Overload)	POWER RINSE
12	4DS, 4LS, 5LS	Switch Assy. (Drain & Door Switch) (FT1000e)	WASH
13	3DS, 2LS, 3LS	Switch Assy. (Drain & Door Switch) (FT1000Se)	WASH
14	17SOL	Cable (Tank 2 Steam Valve) (10TB to Valve)	WASH
15	2MTR	Cable (Tank 2 Motor) (L-R) (FT1000e)	WASH
16	2MTR	Cable (Tank 2 Motor) (R-L) (FT1000e)	WASH
17	-	Cable (Jumper) (Drain & Door Switch)	WASH
18	16SOL	Cable (Tank 1 Steam Valve) (10TB to Valve) (FT1000Se)	WASH
19	1MTR	Cable (Tank 1 Motor) (L-R) (FT1000Se)	WASH
20	1MTR	Cable (Tank 1 Motor) (R-L) (FT1000Se)	WASH
21	TAS	Cable (Jumper) (Thermal Overload)	WASH

PL-61256

**CABLES
(DUAL RINSE, POWER RINSE, & WASH)**

**CABLES
(DUAL RINSE, POWER RINSE, & WASH)**

ILLUS. PL-61256	PART NO.	NAME OF PART	AMT.
1	00-473109-005-2	Switch - Interlock.....	2
2	00-918568-21-12	Cable.....	1
3	00-949844-004-1	Cable (Previous Construction).....	1
3	00-949844-004-3	Cable (Current Construction).....	1
4	00-949844-00009	Cable (Jumper).....	1
5	00-949844-00042	Cable.....	1
6	00-473109-005-1	Switch - Interlock.....	3
7	00-918568-021-9	Cable.....	1
8	00-949844-033-1	Cable.....	1
9	00-949844-033-2	Cable.....	1
10	00-949844-00037	Cable.....	1
11	00-949844-00042	Cable.....	1
12	00-473109-005-1	Switch - Interlock (FT1000e).....	3
13	00-473109-005-1	Switch - Interlock (FT1000Se).....	3
14	00-918568-021-5	Cable.....	1
15	00-949844-008-1	Cable.....	1
16	00-949844-008-2	Cable.....	1
17	00-949844-00009	Cable (Jumper).....	1
18	00-918568-021-9	Cable.....	1
19	00-949844-033-1	Cable.....	1
20	00-949844-033-2	Cable.....	1
21	00-949844-00042	Cable.....	1

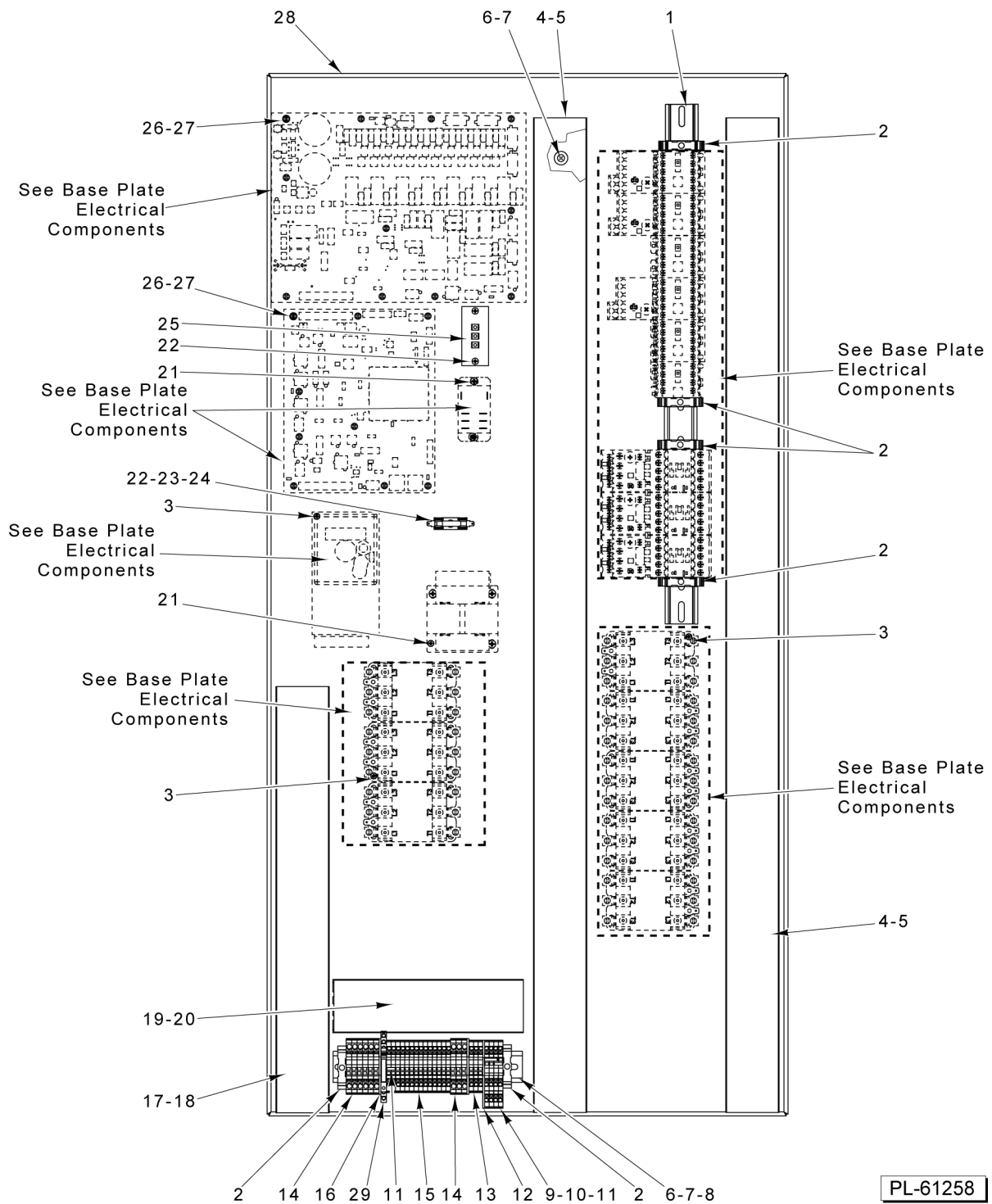
Item Number	Cable Designation	Description	Module
1	1SOL	Cable (Tank 1 Fill) (12TB to Valve)	UNLOAD
2	2SOL	Cable (Tank 2 Fill) (12TB to Valve)	UNLOAD
3	3SOL	Cable (Tank 3 Fill) (12TB to Valve)	UNLOAD
4	9SOL	Cable (Auto Clean Valve 1 ASR) (12TB to Valve)	UNLOAD
5	10SOL	Cable (Auto Clean Valve 2 Prewash & Wash) (12TB to Valve)	UNLOAD
6	11SOL	Cable (Auto Clean Valve 3 Prewash Upper) (12TB to Valve)	UNLOAD
7	12SOL	Cable (Auto Clean Valve 4 Wash Upper) (12TB to Valve)	UNLOAD
8	13SOL	Cable (Auto Clean Valve 5 Power Rinse) (12TB to Valve)	UNLOAD
9	14SOL	Cable (Auto Clean Valve 6 Dual Rinse) (12TB to Valve)	UNLOAD
10	15SOL	Cable (Auto Clean Master Valve) (12TB to Valve)	UNLOAD
11	20SOL	Cable (Steam Booster Valve) (10TB to Valve)	UNLOAD
12	7SOL	Cable (Master Drain) (8TB to Valve)	UNLOAD
13	21SOL	Cable (Blower Dryer Steam Valve) (10TB to Valve)	UNLOAD
14	12LS	Cable (Dish Limit Switch to Unload Switch Box)	UNLOAD
15	11LS	Cable (Jam Switch)	UNLOAD
16	7MTR	Cable (Conveyor Motor) (5-8 Ft.)	UNLOAD
17	7MTR	Cable (Conveyor Motor) (9-12 Ft.)	UNLOAD
18	7MTR	Cable (Conveyor Motor) (13-17 Ft.)	UNLOAD
19	J43	Cable (Auto Delime) (5-8 Ft.)	UNLOAD
20	J43	Cable (Auto Delime) (9-12 Ft.)	UNLOAD
21	J43	Cable (Auto Delime) (13-17 Ft.)	UNLOAD
22	J24	Cable (Overtemp) (Electric Booster)	UNLOAD
23	J6	Cable (Temperature) (Electric Booster)	UNLOAD
24	J11	Cable (Holding Tank Float)	UNLOAD
25	J39	Cable (Switch Box) (5-8 Ft.)	UNLOAD
26	J39	Cable (Switch Box) (9-12 Ft.)	UNLOAD
27	J39	Cable (Switch Box) (13-17 Ft.)	UNLOAD
28	J31	Cable (Auto Clean) (12TB to Control Box) (FT1000Se)	UNLOAD
29	J31	Cable (Auto Clean) (12TB to Control Box) (FT1000e)	UNLOAD
30	J32	Cable (Fill Valve) (12TB to Control Box)	UNLOAD
31	6MTR	Cable (Final Rinse Motor)	UNLOAD
32	5SOL	Cable (Holding Tank Fill Valve)	UNLOAD

PL-61257

CABLES (UNLOAD)

CABLES (UNLOAD)

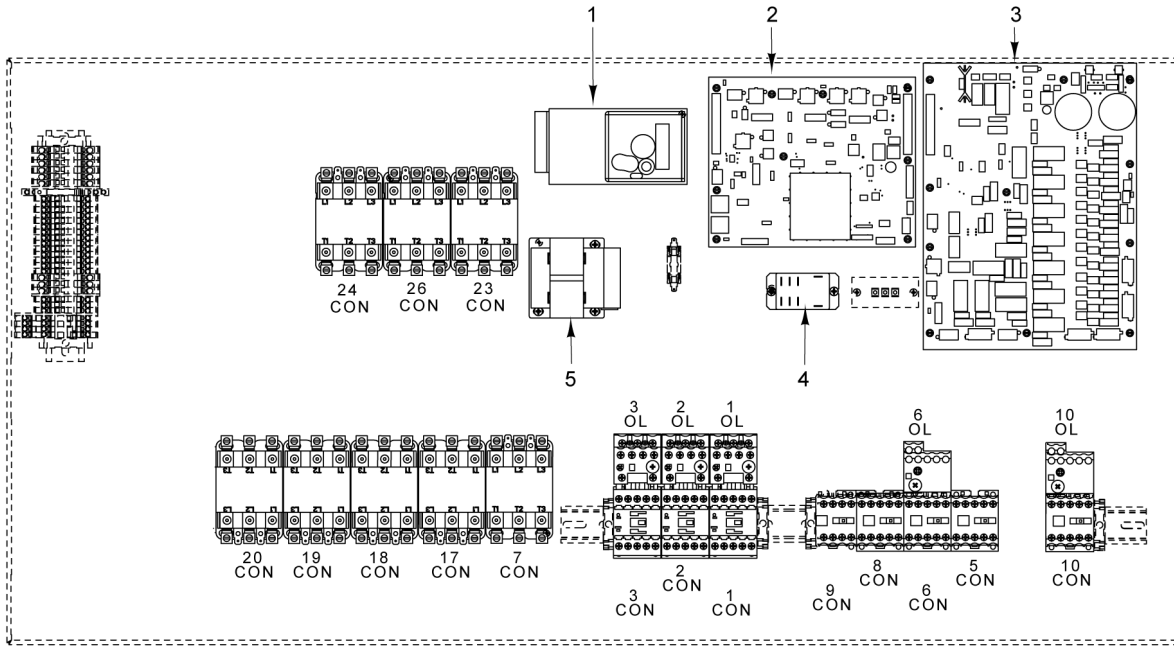
ILLUS. PL-61257	PART NO.	NAME OF PART	AMT.
1	00-918568-021-1	Cable - Valve (L-R & R-L).....	1
2	00-918568-021-1	Cable - Valve (L-R & R-L).....	1
3	00-918568-021-1	Cable - Valve (L-R & R-L).....	1
4	00-918568-021-1	Cable - Valve (L-R & R-L).....	1
5	00-918568-021-1	Cable - Valve (L-R & R-L).....	1
6	00-918568-021-1	Cable - Valve (L-R & R-L).....	1
7	00-918568-021-1	Cable - Valve (L-R & R-L).....	1
8	00-918568-021-1	Cable - Valve (L-R & R-L).....	1
9	00-918568-021-1	Cable - Valve (L-R & R-L).....	1
10	00-918568-021-1	Cable - Valve (L-R & R-L).....	1
11	00-918568-021-1	Cable - Valve (L-R & R-L).....	1
12	00-918568-21-11	Cable - Valve.....	1
13	00-918568-21-12	Cable.....	1
14	00-949844-00003	Cable.....	1
15	00-949844-00005	Cable.....	1
16	00-949844-007-1	Cable.....	1
17	00-949844-007-2	Cable.....	1
18	00-949844-007-3	Cable.....	1
19	00-949844-010-1	Cable.....	1
20	00-949844-010-2	Cable.....	1
21	00-949844-010-3	Cable.....	1
22	00-949844-00016	Cable.....	1
23	00-949844-00017	Cable.....	1
24	00-949844-020-2	Cable.....	1
25	00-949844-057-1	Cable.....	1
26	00-949844-057-2	Cable.....	1
27	00-949844-057-2	Cable.....	1
28	00-949844-029-2	Cable.....	1
29	00-949844-00029	Cable.....	1
30	00-949844-00032	Cable.....	1
31	00-949844-00035	Cable.....	1
32	00-949844-00041	Cable.....	1



**BASEPLATE HARDWARE
(FT1000E)
(ELECTRIC HEAT)**

**BASEPLATE HARDWARE
(FT1000E)
(ELECTRIC HEAT)**

ILLUS.	PART NO.	NAME OF PART	AMT.
PL-61258			
1	00-949145-00001	Rail - Din (22 In.).....	1
2	00-949805	Stop - End.....	6
3	SD-008-25	Self-Tapping Screw 10-16 x 1/2 Phil. Pan Hd., Type B.....	AR
4	00-949917-00001	Cover - Wiring Duct (42 In.).....	2
5	00-949888-00004	Duct - Wiring (42 In.).....	2
6	SD-008-25	Self-Tapping Screw 10-16 x 1/2 Phil. Pan Hd., Type B.....	AR
7	WS-017-06	Washer (SST).....	AR
8	00-949145-00002	Rail - Din (8 In.).....	1
9	00-949802-00001	Block - Terminal (Multi) (600 V, 10 Amp.).....	4
10	00-947688	Bridge - Terminal Block (3-Pole).....	1
11	00-947687	Bridge - Terminal Block (2-Pole).....	2
12	00-949804-00003	Endplate - Terminal Block.....	1
13	00-949801-00002	Block - Terminal.....	3
14	00-949801-00003	Block - Terminal (Single Row) (600 V, 10 Amp.).....	9
15	00-949801-00001	Block - Terminal.....	14
16	00-949804-00002	Endplate - Terminal Block.....	2
17	00-949917-00002	Cover - Wiring Duct (18 In.).....	1
18	00-949888-00005	Duct - Wiring (18 In.).....	1
19	00-949917-00003	Cover - Wiring Duct (8 In.).....	1
20	00-949888-00006	Duct - Wiring (8 In.).....	1
21	SD-008-18	Self-Tapping Screw 8-18 x 3/8 Phil. Bndg. Hd., Type B.....	6
22	SD-019-29	Self-Tapping Screw 6-20 x 1/2 Phil. Pan Hd., Type B.....	4
23	00-294436-00003	Block - Fuse.....	1
24	FE-025-72	Fuse (6.25 Amp.) (250 V.).....	1
25	00-294325-00009	Terminal Board Assy.....	1
26	SC-115-26	Mach. Screw 6-32 x 5/16 Pan Hd.....	20
27	FE-027-08	Standoff.....	20
28	00-948982	Plate - Main Base.....	1
29	00-950660-00004	Relay (12 VDC) (6 Amp.).....	1



17 00-562413 Label - Overload Setting
PART NOT ILLUSTRATED

	Tank 1 Pump	Tank 2 Pump	Tank 3 Pump	Dual Rinse Pump	Final Rinse Pump	Conveyor Motor	ASR Pump	ASR Soil Pump	Blower / Dyer Motor	Tank 1 Heater	Tank 1 Heater	Tank 2 Heater	Tank 2 Heater	Dual Rinse Tank Heater	Booster Heater	Blower / Dyer Heater
Contactor	1 CON	2 CON	3 CON	5 CON	6 CON	7 CON	8 CON	9 CON	10 CON	17 CON	18 CON	19 CON	20 CON	23 CON	24 CON	26 CON
FT1000e Base / ER	6	6	6	7	7	8	NA	NA	NA	8	8	8	8	8	8	NA
FT1000e Blower / Dryer	6	6	6	7	7	8	NA	NA	7	8	8	8	8	8	8	8
FT1000e ASR	6	6	6	7	7	8	7	7	NA	8	8	8	8	8	8	NA

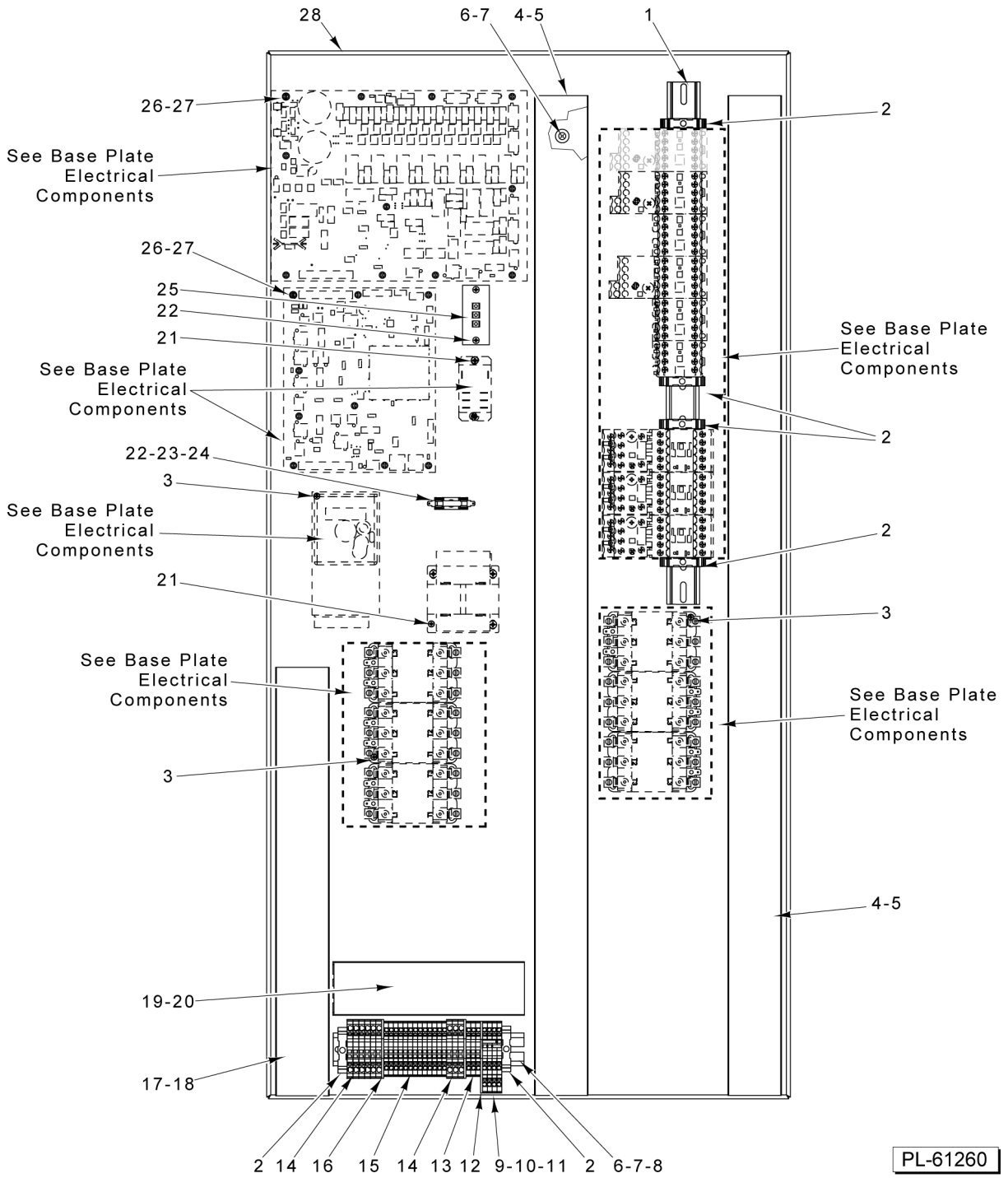
Overload Relay	Voltage	10L	20L	30L	60L	100L
FT1000e Base / ER	208-240 VAC - 50/60 Hz	12	12	12	14	NA
FT1000e Blower / Dryer		12	12	12	14	14
FT1000e Base / ER	380-415 VAC - 50/ 60 Hz	10	10	10	15	NA
FT1000e Blower / Dryer		10	10	10	15	16
FT1000e Base / ER	480 VAC - 60 Hz	10	10	10	15	NA
FT1000e Blower / Dryer		10	10	10	15	16
FT1000e Base / ER	600 VAC - 60 Hz	10	10	10	15	NA
FT1000e Blower / Dryer		10	10	10	15	16

PL-61259

**BASEPLATE COMPONENTS
 (FT1000E)
 (ELECTRIC HEAT)**

**BASEPLATE COMPONENTS
(FT1000E)
(ELECTRIC HEAT)**

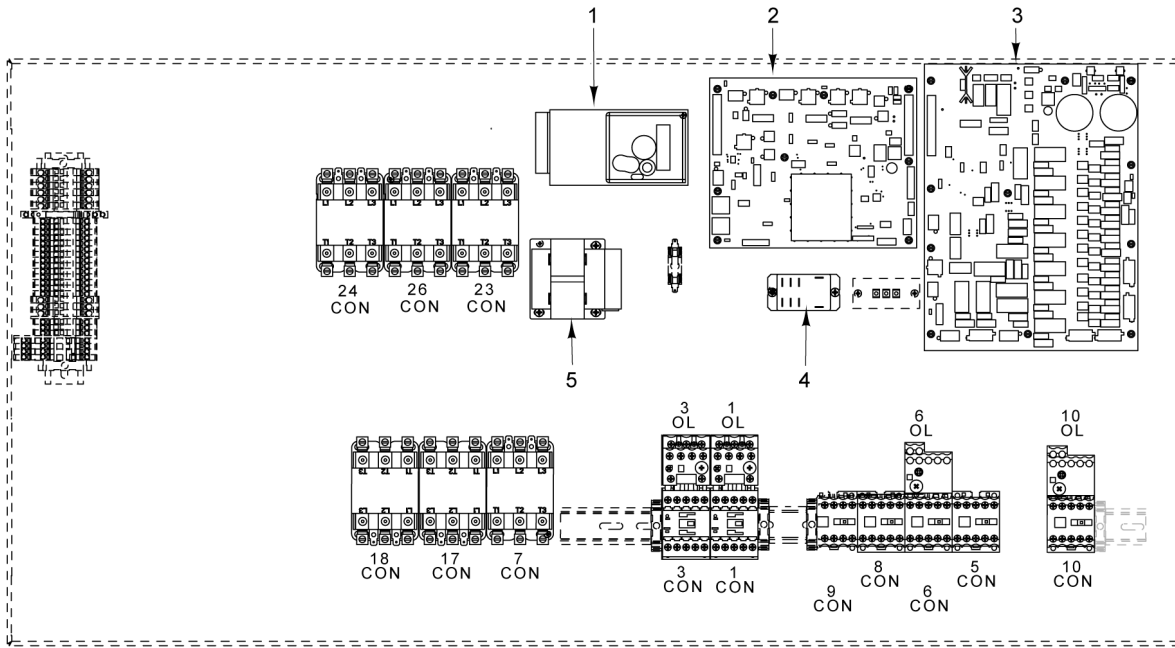
ILLUS.	PART NO.	NAME OF PART	AMT.
PL-61259			
1	00-562913-00001	Inverter - Frequency.....	1
2	00-949095	Board Assy.....	1
3	00-949096	Board Assy.....	1
4	00-087714-046-1	Relay (2-Pole) (30 Amp.).....	1
5	00-949952	Transformer (100 VA, 25 V.).....	1
6	00-949891	Contactor.....	AR
7	00-948104	Contactor (8 Amp., 3-Pole).....	AR
8	00-918322	Contactor (40 Amp., 3-Pole).....	AR
9	00-949362-00006	Relay - Overload (2.4 - 4.0 Amp Release Range).....	AR
10	00-949362-00007	Relay - Overload (4.0 - 6.0 Amp Release Range).....	AR
11	00-949362-00008	Relay - Overload (6.0 - 10 Amp Release Range).....	AR
12	00-949362-00009	Relay - Overload (9.0 - 12 Amp Release Range).....	AR
13	00-949362-00010	Relay - Overload (12 - 16 Amp Release Range).....	AR
14	00-948105-00001	Relay - Overload (2.4 - 4.0 Amp Release Range).....	AR
15	00-948105-00003	Relay - Overload (1.0 -1.6 Amp Release Range).....	AR
16	00-948105-00004	Relay - Overload (1.6 - 2.4 Amp Release Range).....	AR
17	00-562413	Label - Overload.....	AR



**BASEPLATE HARDWARE
(FT1000SE)
(ELECTRIC HEAT)**

**BASEPLATE HARDWARE
(FT1000SE)
(ELECTRIC HEAT)**

ILLUS.	PART NO.	NAME OF PART	AMT.
PL-61260			
1	00-949145-00001	Rail - Din (22 In.).....	1
2	00-949805	Stop - End.....	6
3	SD-008-25	Self-Tapping Screw 10-16 x 1/2 Phil. Pan Hd., Type B.....	AR
4	00-949917-00001	Cover - Wiring Duct (42 In.).....	2
5	00-949888-00004	Duct - Wiring (42 In.).....	2
6	SD-008-25	Self-Tapping Screw 10-16 x 1/2 Phil. Pan Hd., Type B.....	AR
7	WS-017-06	Washer (SST).....	AR
8	00-949145-00002	Rail - Din (8 In.).....	1
9	00-949802-00001	Block - Terminal (Multi) (600 V, 10 Amp.).....	4
10	00-947687	Bridge - Terminal Block (2-Pole).....	2
11	00-947688	Bridge - Terminal Block (3-Pole).....	1
12	00-949804-00003	Endplate - Terminal Block.....	1
13	00-949801-00002	Block - Terminal.....	3
14	00-949801-00003	Block - Terminal.....	9
15	00-949801-00001	Block - Terminal (Single Row) (600 V, 10 Amp.).....	14
16	00-949804-00002	Endplate - Terminal Block.....	2
17	00-949917-00002	Cover - Wiring Duct (18 In.).....	1
18	00-949888-00005	Duct - Wiring (18 In.).....	1
19	00-949917-00003	Cover - Wiring Duct (8 In.).....	1
20	00-949888-00006	Duct - Wiring (8 In.).....	1
21	SD-008-18	Self-Tapping Screw 8-18 x 3/8 Phil. Bndg. Hd., Type B.....	6
22	SD-019-29	Self-Tapping Screw 6-20 x 1/2 Phil. Pan Hd., Type B.....	4
23	00-294436-00003	Block - Fuse.....	1
24	FE-025-72	Fuse (6.25 Amp.) (250 V.).....	1
25	00-294325-00009	Terminal Board Assy.....	1
26	SC-115-26	Mach. Screw 6-32 x 5/16 Pan Hd.....	20
27	FE-027-08	Standoff.....	20
28	00-948982	Plate - Main Base.....	1



17 00-562413 Label - Overload Setting
PART NOT ILLUSTRATED

	Tank 1 Pump	Tank 2 Pump	Dual Rinse Pump	Final Rinse Pump	Converyor Motor	ASR Pump	ASR Soil Pump	Blower / Dyer Motor	Tank 1 Heater	Tank 1 Heater	Dual Rinse Tank Heater	Booster Heater	Blower / Dryer Heater
Contactors	1 CON	3 CON	5 CON	6 CON	7 CON	8 CON	9 CON	10 CON	17 CON	18 CON	23 CON	24 CON	26 CON
FT1000Se Base / ER	6	6	7	7	8	NA	NA	NA	8	8	8	8	NA
FT1000Se Blower / Dryer	6	6	7	7	8	NA	NA	7	8	8	8	8	8
FT1000Se ASR	6	6	7	7	8	7	7	NA	8	8	8	8	NA

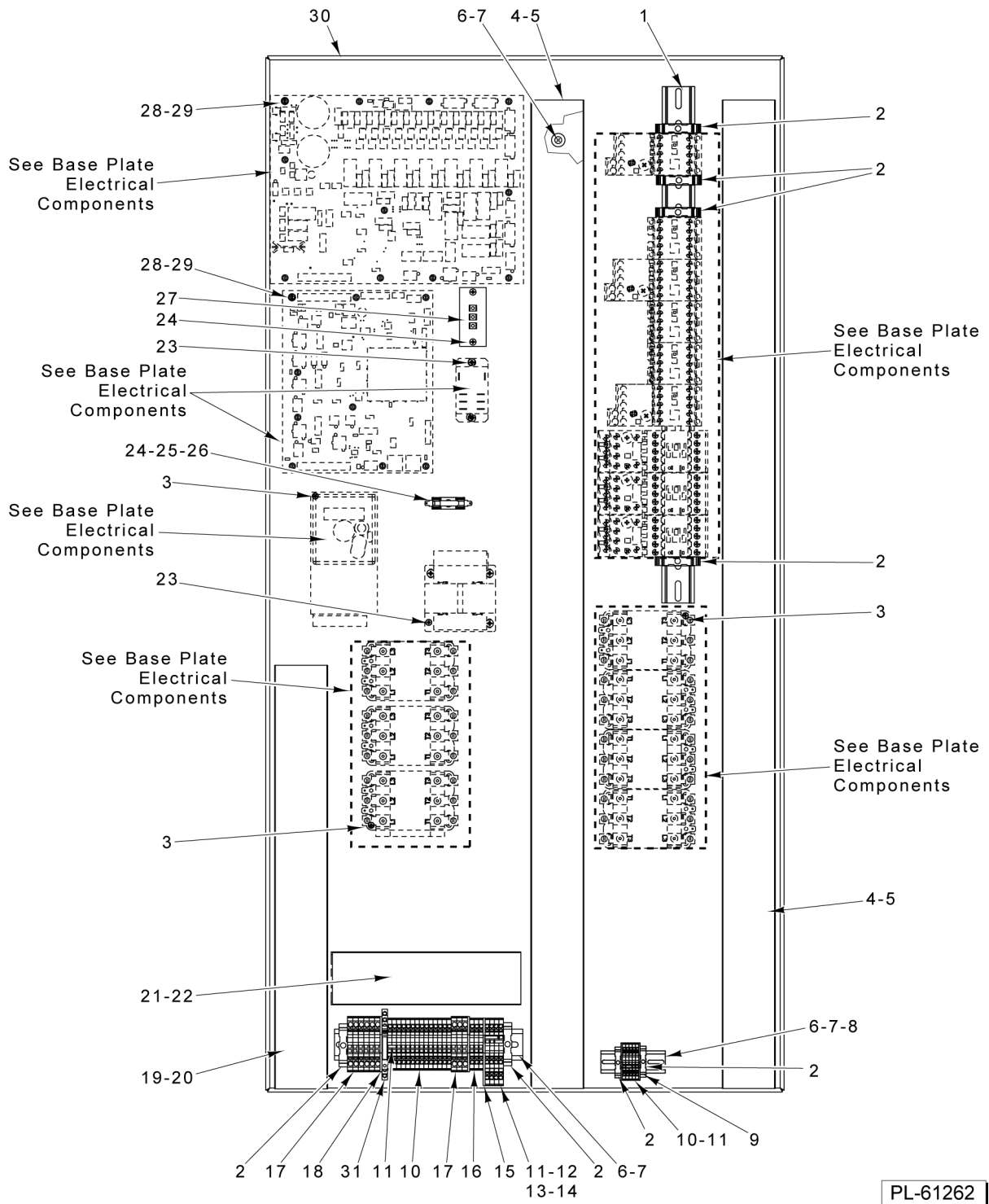
Overload Relay	Voltage	1OL	3OL	6OL	10OL	11OL
FT1000Se Base / ER	208-240 VAC - 50/60 Hz	12	12	14	NA	NA
FT1000Se Blower / Dryer		12	12	14	14	14
FT1000Se Base / ER	380-415 VAC - 50/ 60 Hz	10	10	15	NA	NA
FT1000Se Blower / Dryer		10	10	15	16	16
FT1000Se Base / ER	480 VAC - 60 Hz	10	10	15	NA	NA
FT1000Se Blower / Dryer		10	10	15	16	16
FT1000Se Base / ER	600 VAC - 60 Hz	10	10	15	NA	NA
FT1000Se Blower / Dryer		10	10	15	16	16

PL-61261

**BASEPLATE COMPONENTS
(FT1000SE)
(ELECTRIC HEAT)**

**BASEPLATE COMPONENTS
(FT1000SE)
(ELECTRIC HEAT)**

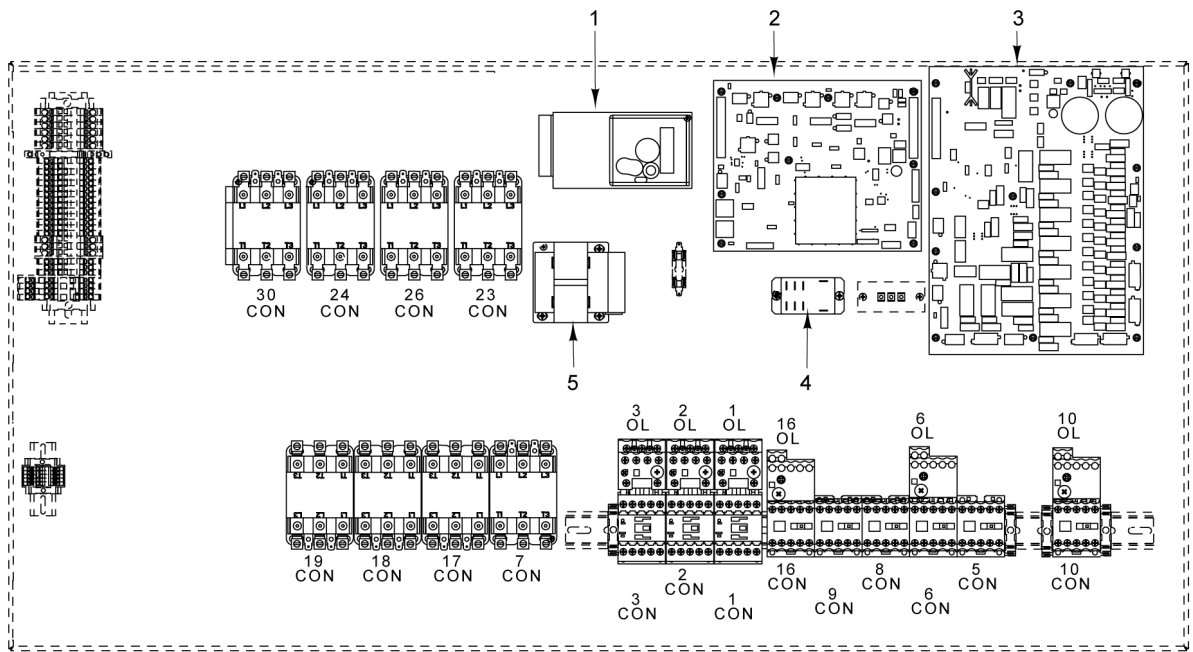
ILLUS.	PART NO.	NAME OF PART	AMT.
PL-61261			
1	00-562913-00001	Inverter - Frequency.....	1
2	00-949095	Board Assy.....	1
3	00-949096	Board Assy.....	1
4	00-087714-046-1	Relay (2-Pole) (30 Amp.).....	1
5	00-949952	Transformer (100 VA, 25 V.).....	1
6	00-949891	Contactor.....	AR
7	00-948104	Contactor (8 Amp., 3-Pole).....	AR
8	00-918322	Contactor (40 Amp., 3-Pole).....	AR
9	00-949362-00006	Relay - Overload (2.4 - 4.0 Amp Release Range).....	AR
10	00-949362-00007	Relay - Overload (4.0 - 6.0 Amp Release Range).....	AR
11	00-949362-00008	Relay - Overload (6.0 - 10 Amp Release Range).....	AR
12	00-949362-00009	Relay - Overload (9.0 - 12 Amp Release Range).....	AR
13	00-949362-00010	Relay - Overload (12 - 16 Amp Release Range).....	AR
14	00-948105-00001	Relay - Overload (2.4 - 4.0 Amp Release Range).....	AR
15	00-948105-00003	Relay - Overload (1.0 -1.6 Amp Release Range).....	AR
16	00-948105-00004	Relay - Overload (1.6 - 2.4 Amp Release Range).....	AR
17	00-562413	Label - Overload.....	AR



**BASEPLATE HARDWARE
(ADVANSYS)
(ELECTRIC HEAT)**

**BASEPLATE HARDWARE
(ADVANSYS)
(ELECTRIC HEAT)**

ILLUS.	PART NO.	NAME OF PART	AMT.
PL-61262			
1	00-949145-00001	Rail - Din (22 In.).....	1
2	00-949805	Stop - End.....	8
3	SD-008-25	Self-Tapping Screw 10-16 x 1/2 Phil. Pan Hd., Type B.....	AR
4	00-949917-00001	Cover - Wiring Duct (42 In.).....	2
5	00-949888-00004	Duct - Wiring (42 In.).....	2
6	SD-008-25	Self-Tapping Screw 10-16 x 1/2 Phil. Pan Hd., Type B.....	AR
7	WS-017-06	Washer (SST).....	AR
8	00-949145-00003	Rail - Din.....	1
9	00-949804-00001	Endplate - Terminal Block.....	1
10	00-949801-00001	Block - Terminal.....	19
11	00-947687	Bridge - Terminal Block (2-Pole).....	3
12	00-949145-00002	Rail - Din (8 In.).....	1
13	00-949802-00001	Block - Terminal (Multi) (600 V, 10 Amp.).....	4
14	00-947688	Bridge - Terminal Block (3-Pole).....	1
15	00-949804-00003	Endplate - Terminal Block.....	1
16	00-949801-00002	Block - Terminal.....	3
17	00-949801-00003	Block - Terminal (Single Row) (600 V, 10 Amp.).....	9
18	00-949804-00002	Endplate - Terminal Block.....	2
19	00-949917-00002	Cover - Wiring Duct (18 In.).....	1
20	00-949888-00005	Duct - Wiring (18 In.).....	1
21	00-949917-00003	Cover - Wiring Duct (8 In.).....	1
22	00-949888-00006	Duct - Wiring (8 In.).....	1
23	SD-008-18	Self-Tapping Screw 8-18 x 3/8 Phil. Bndg. Hd., Type B.....	6
24	SD-019-29	Self-Tapping Screw 6-20 x 1/2 Phil. Pan Hd., Type B.....	4
25	00-294436-00003	Block - Fuse.....	1
26	FE-025-72	Fuse (6.25 Amp.) (250 V.).....	1
27	00-294325-00009	Terminal Board Assy.....	1
28	SC-115-26	Mach. Screw 6-32 x 5/16 Pan Hd.....	20
29	FE-027-08	Standoff.....	20
30	00-948982	Plate - Main Base.....	1
31	00-950660-00004	Relay (12 VDC) (6 Amp.).....	1



20 00-562413 Label - Overload Setting
PART NOT ILLUSTRATED

	Tank 1 Pump	Tank 2 Pump	Tank 3 Pump	Dual Rinse Pump	Final Rinse Pump	Conveyor Motor	ASR Pump	ASR Soil Pump	Blower / Dyer Motor	Exhaust Blower	Tank 1 Heater	Tank 1 Heater	Tank 2 Heater	Dual Rinse Tank Heater	Booster Heater	Blower / Dryer Heater	Compressor
Contactors	1 CON	2 CON	3 CON	5 CON	6 CON	7 CON	8 CON	9 CON	10 CON	16 CON	17 CON	18 CON	19 CON	23 CON	24 CON	26 CON	30 CON
FT1000 Advansys	6	6	6	7	7	8	NA	NA	NA	7	8	8	8	8	8	NA	9
FT1000 Blower / Dryer	6	6	6	7	7	8	NA	NA	7	7	8	8	8	8	8	8	9
FT1000 ASR	6	6	6	7	7	8	7	7	NA	7	8	8	8	8	8	NA	9

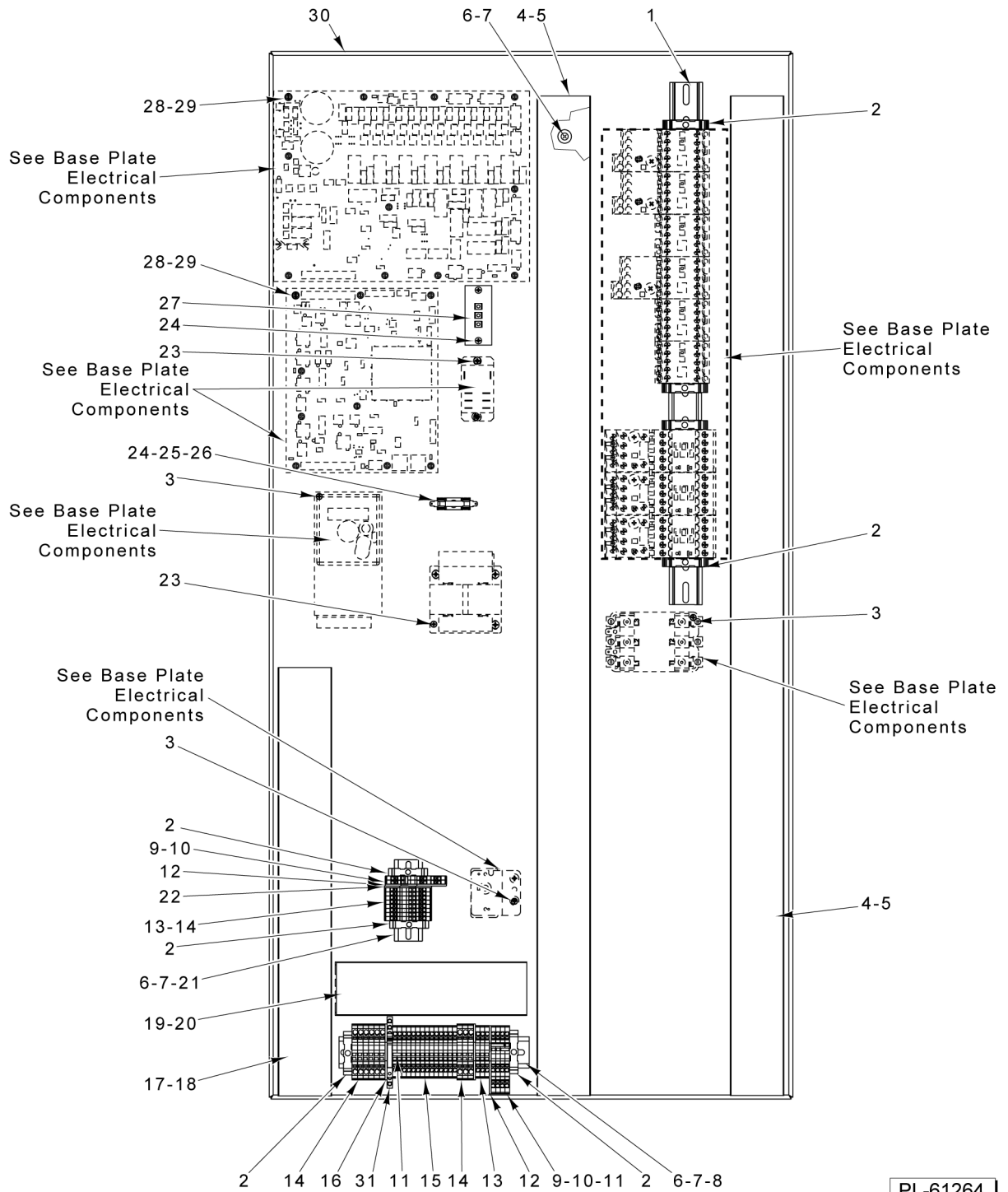
Overload Relay	Voltage	1OL	2OL	3OL	6OL	10OL	16OL
FT1000 Advansys	208-240 VAC - 50/60 Hz	13	13	13	15	NA	19
FT1000 Blower / Dryer		13	13	13	15	15	19
FT1000 Advansys	380-415 VAC - 50/ 60 Hz	11	11	11	16	NA	18
FT1000 Blower / Dryer		11	11	11	16	17	18
FT1000 Advansys	480 VAC - 60 Hz	11	11	11	16	NA	18
FT1000 Blower / Dryer		11	11	11	16	17	18
FT1000 Advansys	600 VAC - 60 Hz	11	11	11	16	NA	18
FT1000 Blower / Dryer		11	11	11	16	17	18

PL-61263

**BASEPLATE COMPONENTS
(ADVANSYS)
(ELECTRIC HEAT)**

**BASEPLATE COMPONENTS
(ADVANSYS)
(ELECTRIC HEAT)**

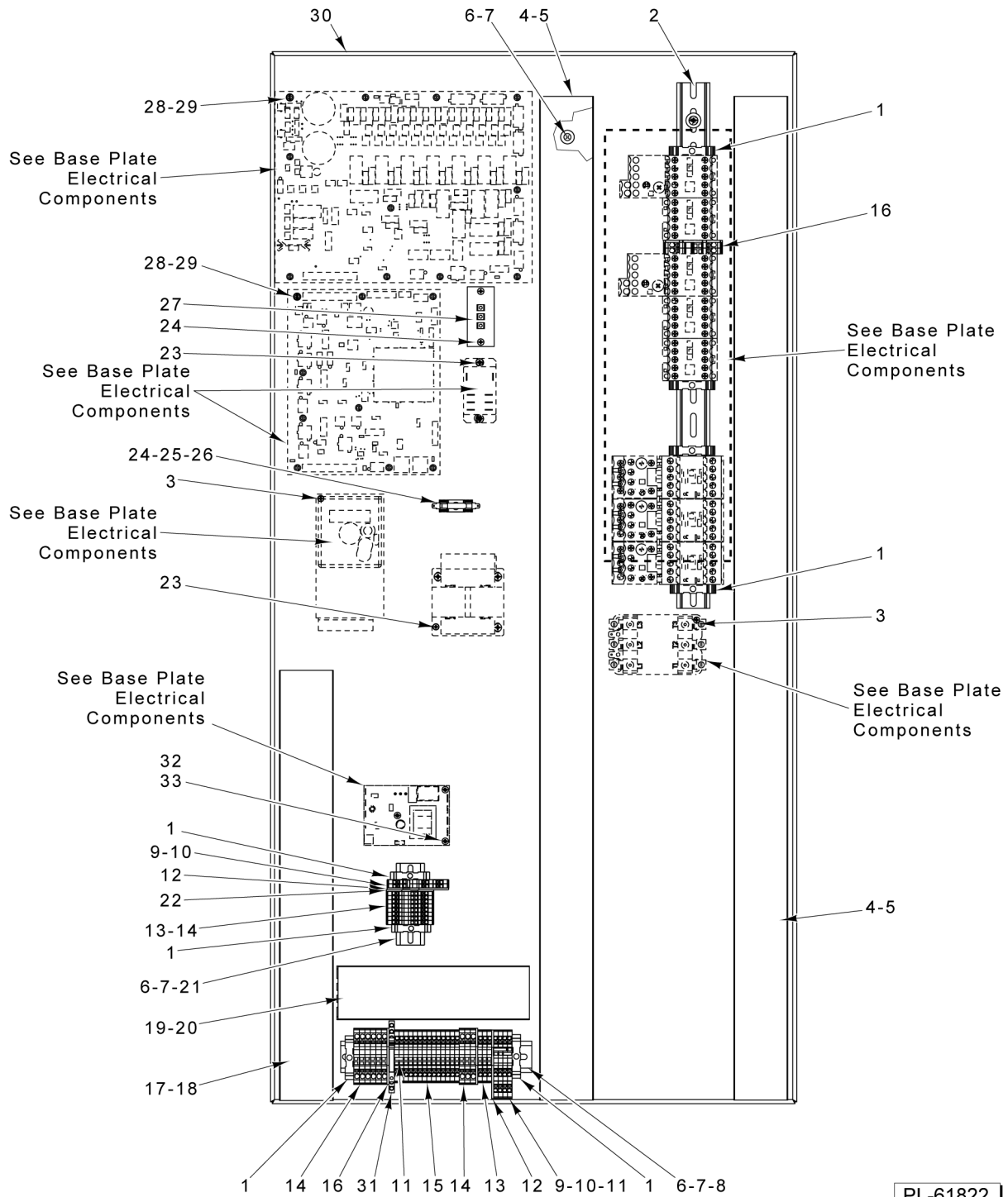
ILLUS. PL-61263	PART NO.	NAME OF PART	AMT.
1	00-562913-00001	Inverter - Frequency.....	1
2	00-949095	Board Assy.....	1
3	00-949096	Board Assy.....	1
4	00-087714-046-1	Relay (2-Pole) (30 Amp.).....	1
5	00-949952	Transformer (100 VA, 25 V.).....	1
6	00-949891	Contactor.....	AR
7	00-948104	Contactor (8 Amp., 3-Pole).....	AR
8	00-918322	Contactor (40 Amp., 3-Pole).....	AR
9	00-087713-018-2	Contactor (W/Aux. Switch) (40 Amp., 3-Pole).....	AR
10	00-949362-00006	Relay - Overload (2.4 - 4.0 Amp Release Range).....	AR
11	00-949362-00007	Relay - Overload (4.0 - 6.0 Amp Release Range).....	AR
12	00-949362-00008	Relay - Overload (6.0 - 10 Amp Release Range).....	AR
13	00-949362-00009	Relay - Overload (9.0 - 12 Amp Release Range).....	AR
14	00-949362-00010	Relay - Overload (12 - 16 Amp Release Range).....	AR
15	00-948105-00001	Relay - Overload (2.4 - 4.0 Amp Release Range).....	AR
16	00-948105-00003	Relay - Overload (1.0 -1.6 Amp Release Range).....	AR
17	00-948105-00004	Relay - Overload (1.6 - 2.4 Amp Release Range).....	AR
18	00-948105-00005	Relay - Overload (0.24 - 0.4 Amp Release Range).....	AR
19	00-948105-00006	Relay - Overload (0.4 - 0.6 Amp Release Range).....	AR
20	00-562413	Label - Overload.....	AR



**BASEPLATE HARDWARE
(FT1000E)
(STEAM HEAT)
(PREVIOUS CONSTRUCTION)**

**BASEPLATE HARDWARE
(FT1000E)
(STEAM HEAT)
(PREVIOUS CONSTRUCTION)**

ILLUS. PL-61264	PART NO.	NAME OF PART	AMT.
1	00-949805	Stop - End.....	8
2	00-949145-00001	Rail - Din (22 In.).....	1
3	SD-008-25	Self-Tapping Screw 10-16 x 1/2 Phil. Pan Hd., Type B.....	AR
4	00-949917-00001	Cover - Wiring Duct (42 In.).....	2
5	00-949888-00004	Duct - Wiring (42 In.).....	2
6	SD-008-25	Self-Tapping Screw 10-16 x 1/2 Phil. Pan Hd., Type B.....	AR
7	WS-017-06	Washer (SST).....	AR
8	00-949145-00002	Rail - Din (8 In.).....	1
9	00-949802-00001	Block - Terminal (Multi) (600 V, 10 Amp.).....	6
10	00-947687	Bridge - Terminal Block (2-Pole).....	3
11	00-947688	Bridge - Terminal Block (3-Pole).....	1
12	00-949804-00003	Endplate - Terminal Block.....	2
13	00-949801-00002	Block - Terminal.....	6
14	00-949801-00003	Block - Terminal (Single Row) (600 V, 15 Amp.).....	9
15	00-949801-00001	Block - Terminal (Single Row) (600 V, 10 Amp.).....	19
16	00-949804-00002	Endplate - Terminal Block.....	2
17	00-949917-00002	Cover - Wiring Duct (18 In.).....	1
18	00-949888-00005	Duct - Wiring (18 In.).....	1
19	00-949917-00003	Cover - Wiring Duct (8 In.).....	1
20	00-949888-00006	Duct - Wiring (8 In.).....	1
21	00-949804-00001	Endplate - Terminal Block.....	1
22	00-949145-00003	Rail - Din.....	1
23	SD-008-18	Self-Tapping Screw 8-18 x 3/8 Phil. Bndg. Hd., Type B.....	6
24	SD-019-29	Self-Tapping Screw 6-20 x 1/2 Phil. Pan Hd., Type B.....	3
25	00-294436-00003	Block - Fuse.....	1
26	FE-025-72	Fuse (6.25 Amp.) (250 V.).....	1
27	00-294325-00009	Terminal Board Assy.....	1
28	SC-115-26	Mach. Screw 6-32 x 5/16 Pan Hd.....	20
29	FE-027-08	Standoff.....	20
30	00-948982	Plate - Main Base.....	1
31	00-950660-00004	Relay (12 VDC) (6 Amp.).....	1

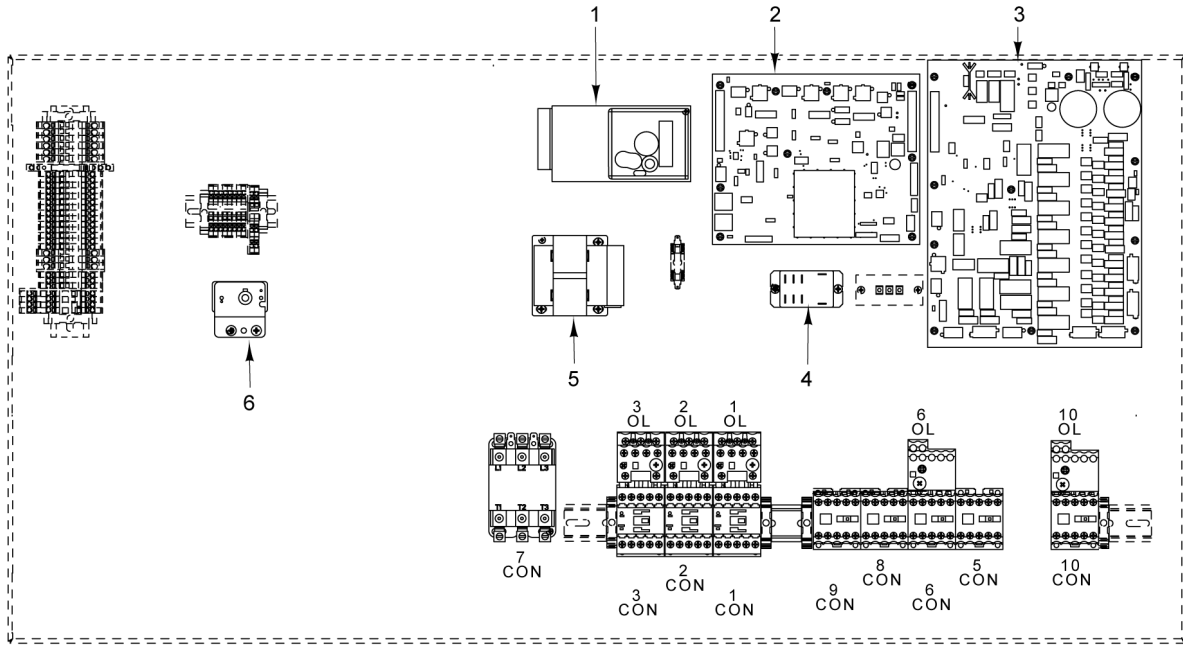


PL-61822

**BASEPLATE HARDWARE
(FT1000E)
(STEAM HEAT)
(CURRENT CONSTRUCTION)**

**BASEPLATE HARDWARE
(FT1000E)
(STEAM HEAT)
(CURRENT CONSTRUCTION)**

ILLUS. PL-61822	PART NO.	NAME OF PART	AMT.
1	00-949805	Stop - End.....	8
2	00-949145-00001	Rail - Din (22 In.).....	1
3	SD-008-25	Self-Tapping Screw 10-16 x 1/2 Phil. Pan Hd., Type B.....	AR
4	00-949917-00001	Cover - Wiring Duct (42 In.).....	2
5	00-949888-00004	Duct - Wiring (42 In.).....	2
6	SD-008-25	Self-Tapping Screw 10-16 x 1/2 Phil. Pan Hd., Type B.....	AR
7	WS-017-06	Washer (SST).....	AR
8	00-949145-00002	Rail - Din (8 In.).....	1
9	00-949802-00001	Block - Terminal (Multi) (600 V, 10 Amp.).....	6
10	00-947687	Bridge - Terminal Block (2-Pole).....	3
11	00-947688	Bridge - Terminal Block (3-Pole).....	1
12	00-949804-00003	Endplate - Terminal Block.....	3
13	00-949801-00002	Block - Terminal.....	6
14	00-949801-00003	Block - Terminal (Single Row) (600 V, 15 Amp.).....	9
15	00-949801-00001	Block - Terminal (Single Row) (600 V, 10 Amp.).....	19
16	00-949804-00002	Endplate - Terminal Block.....	2
17	00-949917-00002	Cover - Wiring Duct (18 In.).....	1
18	00-949888-00005	Duct - Wiring (18 In.).....	1
19	00-949917-00003	Cover - Wiring Duct (8 In.).....	1
20	00-949888-00006	Duct - Wiring (8 In.).....	1
21	00-949804-00001	Endplate - Terminal Block.....	1
22	00-949145-00003	Rail - Din.....	1
23	SD-008-18	Self-Tapping Screw 8-18 x 3/8 Phil. Bndg. Hd., Type B.....	6
24	SD-019-29	Self-Tapping Screw 6-20 x 1/2 Phil. Pan Hd., Type B.....	3
25	00-294436-00003	Block - Fuse.....	1
26	FE-025-72	Fuse (6.25 Amp.) (250 V.).....	1
27	00-294325-00009	Terminal Board Assy.....	1
28	SC-115-26	Mach. Screw 6-32 x 5/16 Pan Hd.....	20
29	FE-027-08	Standoff.....	20
30	00-948982	Plate - Main Base.....	1
31	00-950660-00004	Relay (12 VDC) (6 Amp.).....	1
32	SD-038-02	Self-Tapping Screw 6-20 x 5/8 Phil. Pan Hd., Type B.....	3
33	00-476653	Spacer - Circuit Board.....	3



18 00-562413 Label - Overload Setting
PART NOT ILLUSTRATED

	Tank 1 Pump	Tank 2 Pump	Tank 3 Pump	Dual Rinse Pump	Final Rinse Pump	Conveyor Motor	ASR Pump	ASR Soil Pump	Blower / Dyer Motor
Contactor	1 CON	2 CON	3 CON	5 CON	6 CON	7 CON	8 CON	9 CON	10 CON
FT1000 Base / ER	7	7	7	8	8	9	NA	NA	NA
FT1000 Blower / Dryer	7	7	7	8	8	9	NA	NA	8
FT1000 ASR	7	7	7	8	8	9	8	8	NA

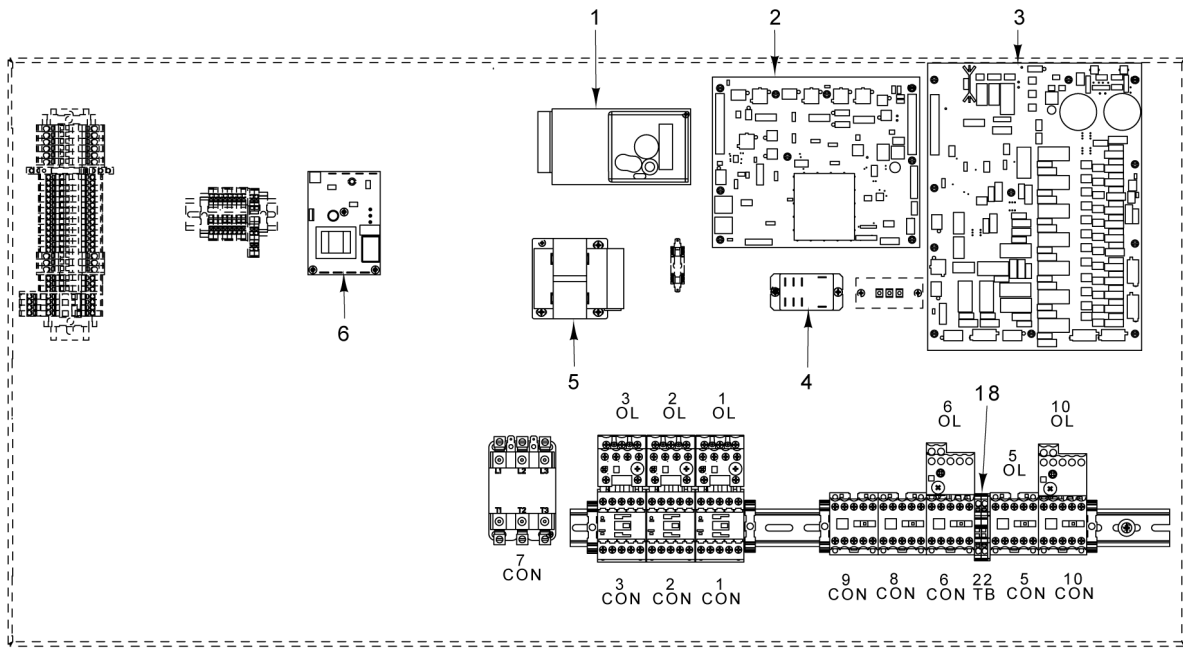
Overload Relay	Voltage	1OL	2OL	3OL	6OL	10OL
FT1000 Base / ER	208-240 VAC - 50/60 Hz	12	12	12	15	NA
FT1000 Blower / Dryer		12	12	12	15	15
FT1000 Base / ER	380-415 VAC - 50/ 60 Hz	11	11	11	16	NA
FT1000 Blower / Dryer		11	11	11	16	17
FT1000 Base / ER	480 VAC - 60 Hz	11	11	11	16	NA
FT1000 Blower / Dryer		11	11	11	16	17
FT1000 Base / ER	600 VAC - 60 Hz	11	11	11	16	N7
FT1000 Blower / Dryer		11	11	11	16	17

PL-61265

**BASEPLATE COMPONENTS
(FT1000E)
(STEAM HEAT)
(PREVIOUS CONSTRUCTION)**

**BASEPLATE COMPONENTS
(FT1000E)
(STEAM HEAT)
(PREVIOUS CONSTRUCTION)**

ILLUS. PL-61265	PART NO.	NAME OF PART	AMT.
1	00-562913-00001	Inverter - Frequency.....	1
2	00-949095	Board Assy.....	1
3	00-949096	Board Assy.....	1
4	00-087714-046-1	Relay (2-Pole) (30 Amp.).....	1
5	00-949952	Transformer (100 VA, 25 V.).....	1
6	00-294681-031-4	Thermostat - Tank Heat (Steam Boosters).....	1
7	00-949891	Contactora.....	AR
8	00-948104	Contactora (8 Amp., 3-Pole).....	AR
9	00-918322	Contactora (40 Amp., 3-Pole).....	AR
10	00-949362-00006	Relay - Overload (2.4 - 4.0 Amp Release Range).....	AR
11	00-949362-00007	Relay - Overload (4.0 - 6.0 Amp Release Range).....	AR
12	00-949362-00009	Relay - Overload (6.0 - 10 Amp Release Range).....	AR
13	00-949362-00008	Relay - Overload (9.0 - 12 Amp Release Range).....	AR
14	00-949362-00010	Relay - Overload (12 - 16 Amp Release Range).....	AR
15	00-948105-00001	Relay - Overload (2.4 - 4.0 Amp Release Range).....	AR
16	00-948105-00003	Relay - Overload (1.0 -1.6 Amp Release Range).....	AR
17	00-948105-00004	Relay - Overload (1.6 - 2.4 Amp Release Range).....	AR
18	00-562413	Label - Overload.....	AR



19 00-562413 Label - Overload Setting
PART NOT ILLUSTRATED

	Tank 1 Pump	Tank 2 Pump	Tank 3 Pump	Dual Rinse Pump	Final Rinse Pump	Conveyor Motor	ASR Pump	ASR Soil Pump	Blower / Dyer Motor
Contactor	1 CON	2 CON	3 CON	5 CON	6 CON	7 CON	8 CON	9 CON	10 CON
FT1000 Base / ER	7	7	7	8	8	9	NA	NA	NA
FT1000 Blower / Dryer	7	7	7	8	8	9	NA	NA	8
FT1000 ASR	7	7	7	8	8	9	8	8	NA

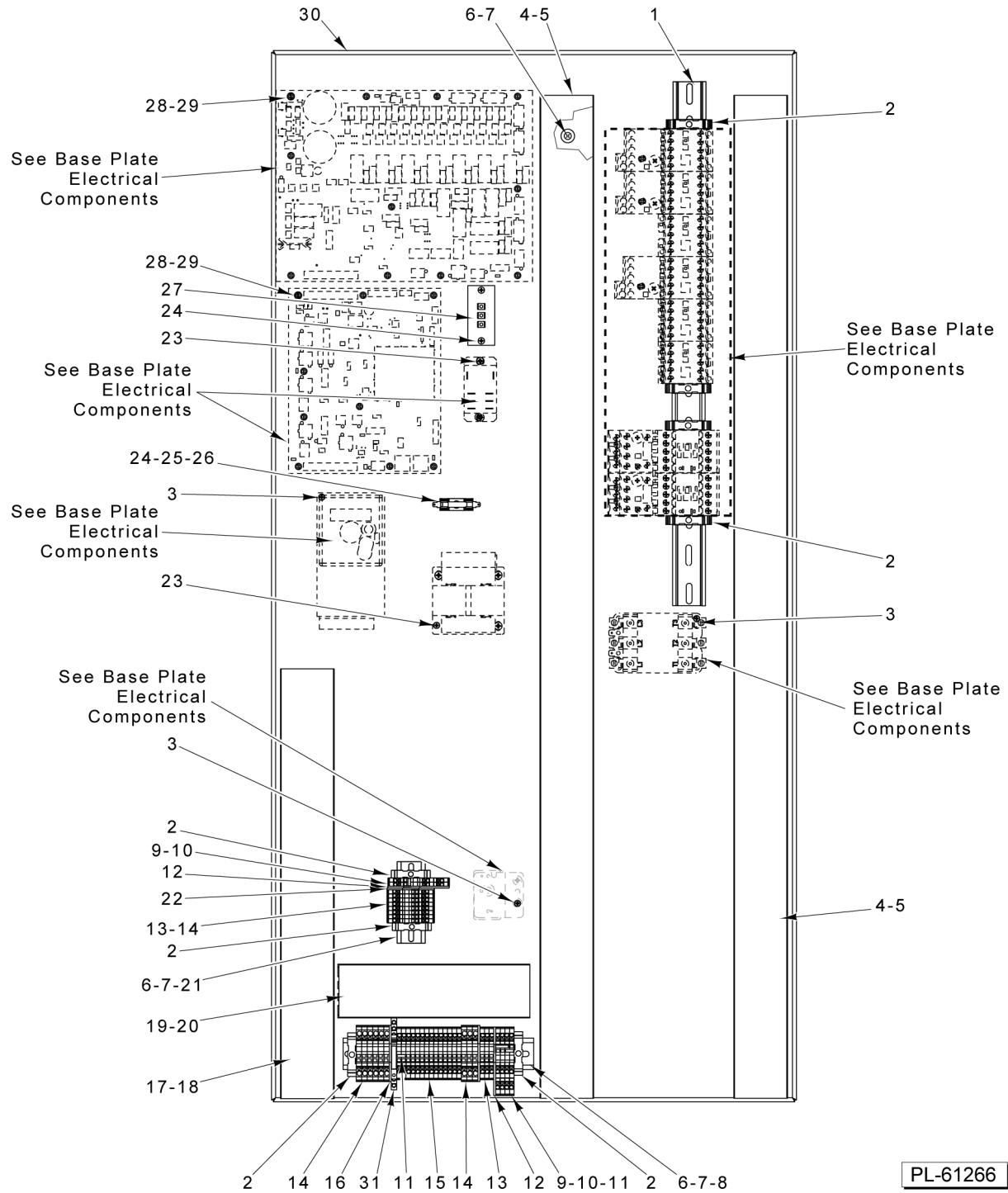
Overload Relay	Voltage	10L	20L	30L	60L	100L
FT1000 Base / ER	208-240 VAC - 50/60 Hz	12	12	12	15	NA
FT1000 Blower / Dryer		12	12	12	15	15
FT1000 Base / ER	380-415 VAC - 50/ 60 Hz	11	11	11	16	NA
FT1000 Blower / Dryer		11	11	11	16	17
FT1000 Base / ER	480 VAC - 60 Hz	11	11	11	16	NA
FT1000 Blower / Dryer		11	11	11	16	17
FT1000 Base / ER	600 VAC - 60 Hz	11	11	11	16	N7
FT1000 Blower / Dryer		11	11	11	16	17

PL-61823

**BASEPLATE COMPONENTS
(FT1000E)
(STEAM HEAT)
(CURRENT CONSTRUCTION)**

**BASEPLATE COMPONENTS
(FT1000E)
(STEAM HEAT)
(CURRENT CONSTRUCTION)**

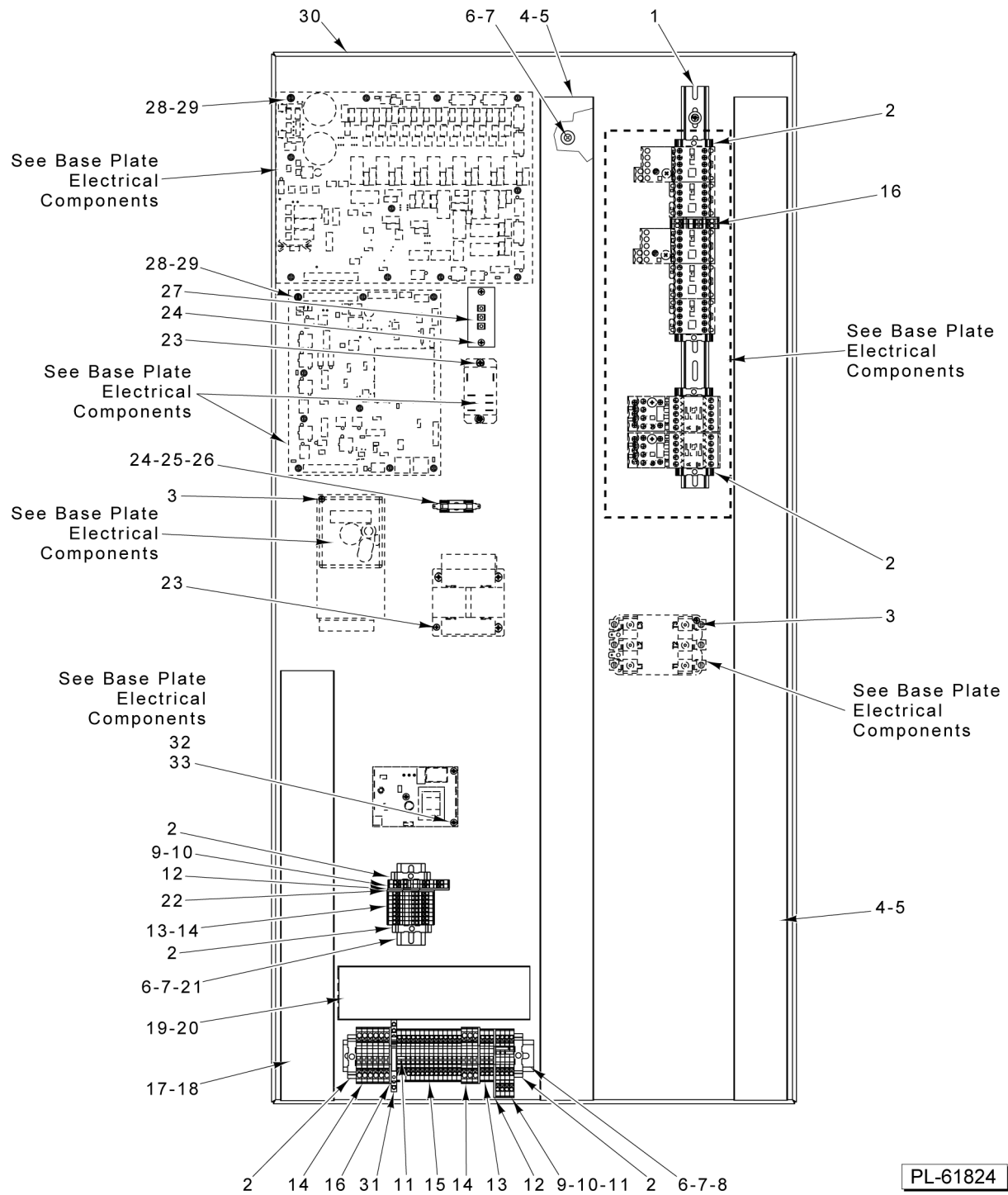
ILLUS. PL-61823	PART NO.	NAME OF PART	AMT.
1	00-562913-00001	Inverter - Frequency.....	1
2	00-949095	Board Assy.....	1
3	00-949096	Board Assy.....	1
4	00-087714-046-1	Relay (2-Pole) (30 Amp.).....	1
5	00-949952	Transformer (100 VA, 25 V.).....	1
6	00-475458-00005	Board Assy. - Temp. Control (Steam Boosters).....	1
7	00-949891	Contactor.....	AR
8	00-948104	Contactor (8 Amp., 3-Pole).....	AR
9	00-918322	Contactor (40 Amp., 3-Pole).....	AR
10	00-949362-00006	Relay - Overload (2.4 - 4.0 Amp Release Range).....	AR
11	00-949362-00007	Relay - Overload (4.0 - 6.0 Amp Release Range).....	AR
12	00-949362-00009	Relay - Overload (6.0 - 10 Amp Release Range).....	AR
13	00-949362-00008	Relay - Overload (9.0 - 12 Amp Release Range).....	AR
14	00-949362-00010	Relay - Overload (12 - 16 Amp Release Range).....	AR
15	00-948105-00001	Relay - Overload (2.4 - 4.0 Amp Release Range).....	AR
16	00-948105-00003	Relay - Overload (1.0 -1.6 Amp Release Range).....	AR
17	00-948105-00004	Relay - Overload (1.6 - 2.4 Amp Release Range).....	AR
18	00-949801-00003	Block - Terminal.....	2
19	00-562413	Label - Overload.....	AR



**BASEPLATE HARDWARE
(FT1000SE)
(STEAM HEAT)
(PREVIOUS CONSTRUCTION)**

**BASEPLATE HARDWARE
(FT1000SE)
(STEAM HEAT)
(PREVIOUS CONSTRUCTION)**

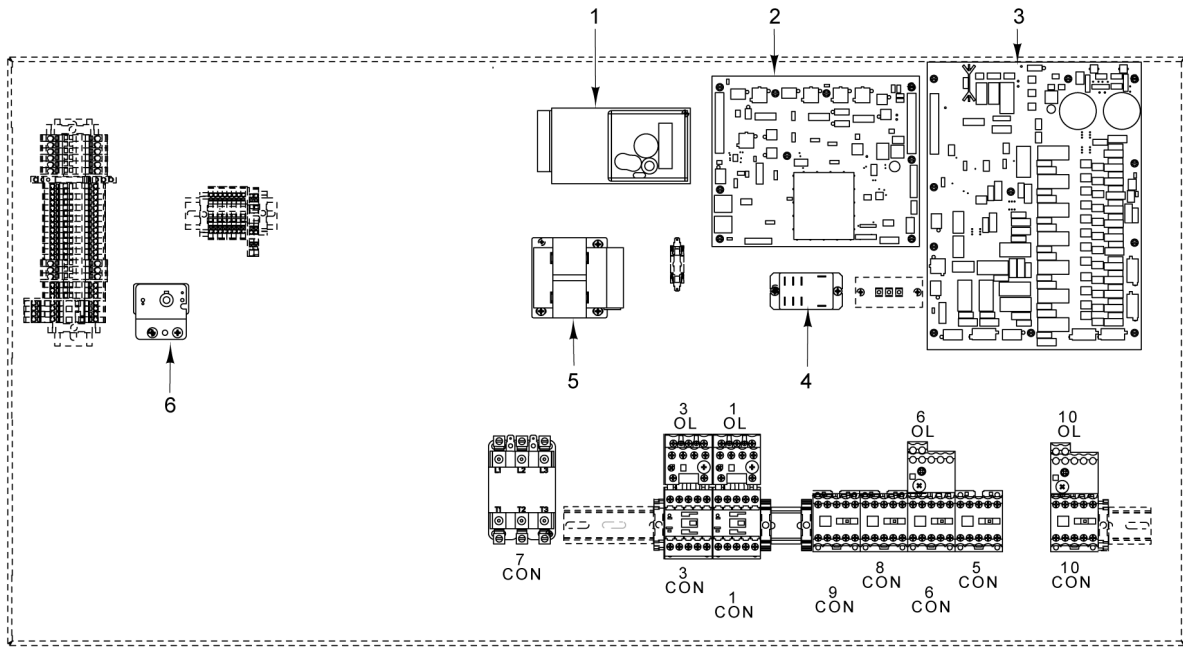
ILLUS. PL-61266	PART NO.	NAME OF PART	AMT.
1	00-949145-00001	Rail - Din (22 In.).....	1
2	00-949805	Stop - End.....	8
3	SD-008-25	Self-Tapping Screw 10-16 x 1/2 Phil. Pan Hd., Type B.....	AR
4	00-949917-00001	Cover - Wiring Duct (42 In.).....	2
5	00-949888-00004	Duct - Wiring (42 In.).....	2
6	SD-008-25	Self-Tapping Screw 10-16 x 1/2 Phil. Pan Hd., Type B.....	AR
7	WS-017-06	Washer (SST).....	AR
8	00-949145-00002	Rail - Din (8 In.).....	1
9	00-949802-00001	Block - Terminal (Multi) (600 V, 10 Amp.).....	6
10	00-947687	Bridge - Terminal Block (2-Pole).....	3
11	00-947688	Bridge - Terminal Block (3-Pole).....	1
12	00-949804-00003	Endplate - Terminal Block.....	2
13	00-949801-00002	Block - Terminal.....	6
14	00-949801-00001	Block - Terminal (Single Row) (600 V, 10 Amp.).....	10
15	00-949801-00001	Block - Terminal.....	19
16	00-949804-00002	Endplate - Terminal Block.....	2
17	00-949917-00002	Cover - Wiring Duct (18 In.).....	1
18	00-949888-00005	Duct - Wiring (18 In.).....	1
19	00-949917-00003	Cover - Wiring Duct (8 In.).....	1
20	00-949888-00006	Duct - Wiring (8 In.).....	1
21	00-949145-00003	Rail - Din.....	1
22	00-949804-00001	Endplate - Terminal Block.....	1
23	SD-008-18	Self-Tapping Screw 8-18 x 3/8 Phil. Bndg. Hd., Type B.....	6
24	SD-019-29	Self-Tapping Screw 6-20 x 1/2 Phil. Pan Hd., Type B.....	3
25	00-294436-00003	Block - Fuse.....	1
26	FE-025-72	Fuse (6.25 Amp.) (250 V.).....	1
27	00-294325-00009	Terminal Board Assy.....	1
28	SC-115-26	Mach. Screw 6-32 x 5/16 Pan Hd.....	20
29	FE-027-08	Standoff.....	20
30	00-948982	Plate - Main Base.....	1
31	00-950660-00004	Relay (12 VDC) (6 Amp.).....	1



**BASEPLATE HARDWARE
(FT1000SE)
(STEAM HEAT)
(CURRENT CONSTRUCTION)**

**BASEPLATE HARDWARE
(FT1000SE)
(STEAM HEAT)
(CURRENT CONSTRUCTION)**

ILLUS. PL-61824	PART NO.	NAME OF PART	AMT.
1	00-949145-00001	Rail - Din (22 In.).....	1
2	00-949805	Stop - End.....	8
3	SD-008-25	Self-Tapping Screw 10-16 x 1/2 Phil. Pan Hd., Type B.....	AR
4	00-949917-00001	Cover - Wiring Duct (42 In.).....	2
5	00-949888-00004	Duct - Wiring (42 In.).....	2
6	SD-008-25	Self-Tapping Screw 10-16 x 1/2 Phil. Pan Hd., Type B.....	AR
7	WS-017-06	Washer (SST).....	AR
8	00-949145-00002	Rail - Din (8 In.).....	1
9	00-949802-00001	Block - Terminal (Multi) (600 V, 10 Amp.).....	6
10	00-947687	Bridge - Terminal Block (2-Pole).....	3
11	00-947688	Bridge - Terminal Block (3-Pole).....	1
12	00-949804-00003	Endplate - Terminal Block.....	3
13	00-949801-00002	Block - Terminal.....	6
14	00-949801-00001	Block - Terminal (Single Row) (600 V, 10 Amp.).....	10
15	00-949801-00001	Block - Terminal.....	19
16	00-949804-00002	Endplate - Terminal Block.....	2
17	00-949917-00002	Cover - Wiring Duct (18 In.).....	1
18	00-949888-00005	Duct - Wiring (18 In.).....	1
19	00-949917-00003	Cover - Wiring Duct (8 In.).....	1
20	00-949888-00006	Duct - Wiring (8 In.).....	1
21	00-949145-00003	Rail - Din.....	1
22	00-949804-00001	Endplate - Terminal Block.....	1
23	SD-008-18	Self-Tapping Screw 8-18 x 3/8 Phil. Bndg. Hd., Type B.....	6
24	SD-019-29	Self-Tapping Screw 6-20 x 1/2 Phil. Pan Hd., Type B.....	3
25	00-294436-00003	Block - Fuse.....	1
26	FE-025-72	Fuse (6.25 Amp.) (250 V.).....	1
27	00-294325-00009	Terminal Board Assy.....	1
28	SC-115-26	Mach. Screw 6-32 x 5/16 Pan Hd.....	20
29	FE-027-08	Standoff.....	20
30	00-948982	Plate - Main Base.....	1
31	00-950660-00004	Relay (12 VDC) (6 Amp.).....	1
32	SD-038-02	Self-Tapping Screw 6-20 x 5/8 Phil. Pan Hd., Type B.....	3
33	00-476653	Spacer - Circuit Board.....	3



18 00-562413 Label - Overload Setting
PART NOT ILLUSTRATED

	Tank 1 Pump	Tank 2 Pump	Dual Rinse Pump	Final Rinse Pump	Conveyor Motor	ASR Pump	ASR Soil Pump	Blower / Dyer Motor
Contactor	1 CON	3 CON	5 CON	6 CON	7 CON	8 CON	9 CON	10 CON
FT1000S Base / ER	7	7	8	8	9	NA	NA	NA
FT1000S Blower / Dryer	7	7	8	8	9	NA	NA	8
FT1000S ASR	7	7	8	8	9	8	8	NA

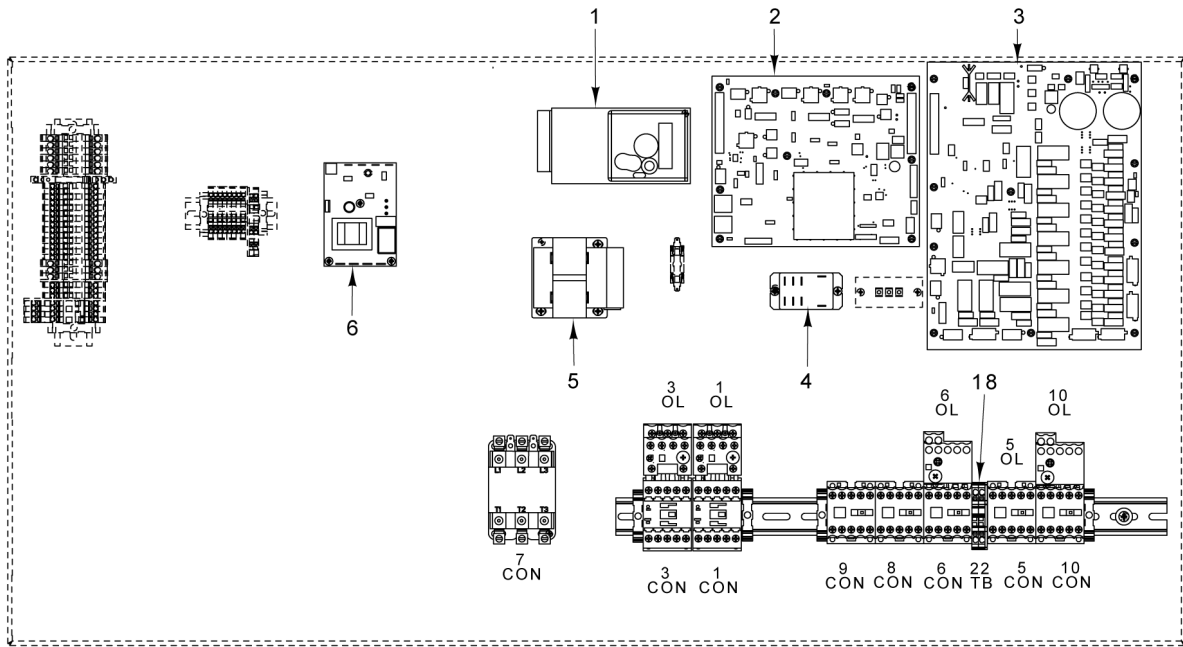
Overload Relay	Voltage	10L	30L	60L	100L
FT1000S Base / ER	208-240 VAC - 50/60 Hz	12	12	15	NA
FT1000S Blower / Dryer		12	12	15	15
FT1000S Base / ER	380-415 VAC - 50/ 60 Hz	11	11	16	NA
FT1000S Blower / Dryer		11	11	16	17
FT1000S Base / ER	480 VAC - 60 Hz	11	11	16	NA
FT1000S Blower / Dryer		11	11	16	17
FT1000S Base / ER	600 VAC - 60 Hz	11	11	16	N7
FT1000S Blower / Dryer		11	11	16	17

PL-61267

**BASEPLATE COMPONENTS
(FT1000SE)
(STEAM HEAT)
(PREVIOUS CONSTRUCTION)**

**BASEPLATE COMPONENTS
(FT1000SE)
(STEAM HEAT)
(PREVIOUS CONSTRUCTION)**

ILLUS. PL-61267	PART NO.	NAME OF PART	AMT.
1	00-562913-00001	Inverter - Frequency.....	1
2	00-949095	Board Assy.....	1
3	00-949096	Board Assy.....	1
4	00-087714-046-1	Relay (2-Pole) (30 Amp.).....	1
5	00-949952	Transformer (100 VA, 25 V.).....	1
6	00-294681-031-4	Thermostat - Tank Heat (Steam Boosters) (Previous Construction).....	1
7	00-949891	Contactora.....	AR
8	00-948104	Contactora (8 Amp., 3-Pole).....	AR
9	00-918322	Contactora (40 Amp., 3-Pole).....	AR
10	00-949362-00006	Relay - Overload (2.4 - 4.0 Amp Release Range).....	AR
11	00-949362-00007	Relay - Overload (4.0 - 6.0 Amp Release Range).....	AR
12	00-949362-00008	Relay - Overload (6.0 - 10 Amp Release Range).....	AR
13	00-949362-00009	Relay - Overload (9.0 - 12 Amp Release Range).....	AR
14	00-949362-00010	Relay - Overload (12 - 16 Amp Release Range).....	AR
15	00-948105-00001	Relay - Overload (2.4 - 4.0 Amp Release Range).....	AR
16	00-948105-00003	Relay - Overload (1.0 -1.6 Amp Release Range).....	AR
17	00-948105-00004	Relay - Overload (1.6 - 2.4 Amp Release Range).....	AR
18	00-562413	Label - Overload.....	AR



18 00-562413 Label - Overload Setting
PART NOT ILLUSTRATED

	Tank 1 Pump	Tank 2 Pump	Dual Rinse Pump	Final Rinse Pump	Conveyer Motor	ASR Pump	ASR Soil Pump	Blower / Dyer Motor
Contactor	1 CON	3 CON	5 CON	6 CON	7 CON	8 CON	9 CON	10 CON
FT1000S Base / ER	7	7	8	8	9	NA	NA	NA
FT1000S Blower / Dryer	7	7	8	8	9	NA	NA	8
FT1000S ASR	7	7	8	8	9	8	8	NA

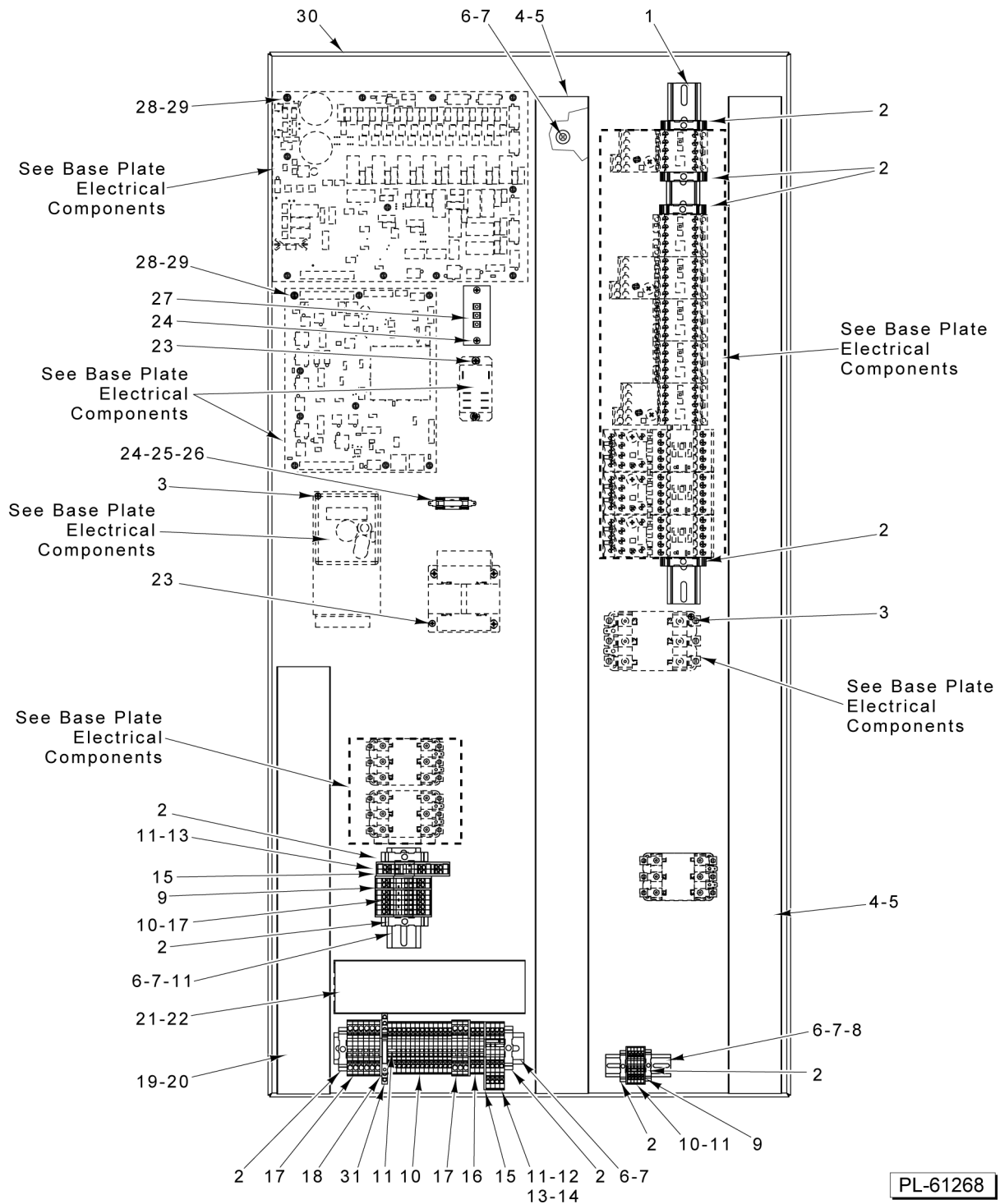
Overload Relay	Voltage	10L	30L	60L	100L
FT1000S Base / ER	208-240 VAC - 50/60 Hz	12	12	15	NA
FT1000S Blower / Dryer		12	12	15	15
FT1000S Base / ER	380-415 VAC - 50/ 60 Hz	11	11	16	NA
FT1000S Blower / Dryer		11	11	16	17
FT1000S Base / ER	480 VAC - 60 Hz	11	11	16	NA
FT1000S Blower / Dryer		11	11	16	17
FT1000S Base / ER	600 VAC - 60 Hz	11	11	16	N7
FT1000S Blower / Dryer		11	11	16	17

PL-61825

**BASEPLATE COMPONENTS
(FT1000SE)
(STEAM HEAT)
(CURRENT CONSTRUCTION)**

**BASEPLATE COMPONENTS
(FT1000SE)
(STEAM HEAT)
(CURRENT CONSTRUCTION)**

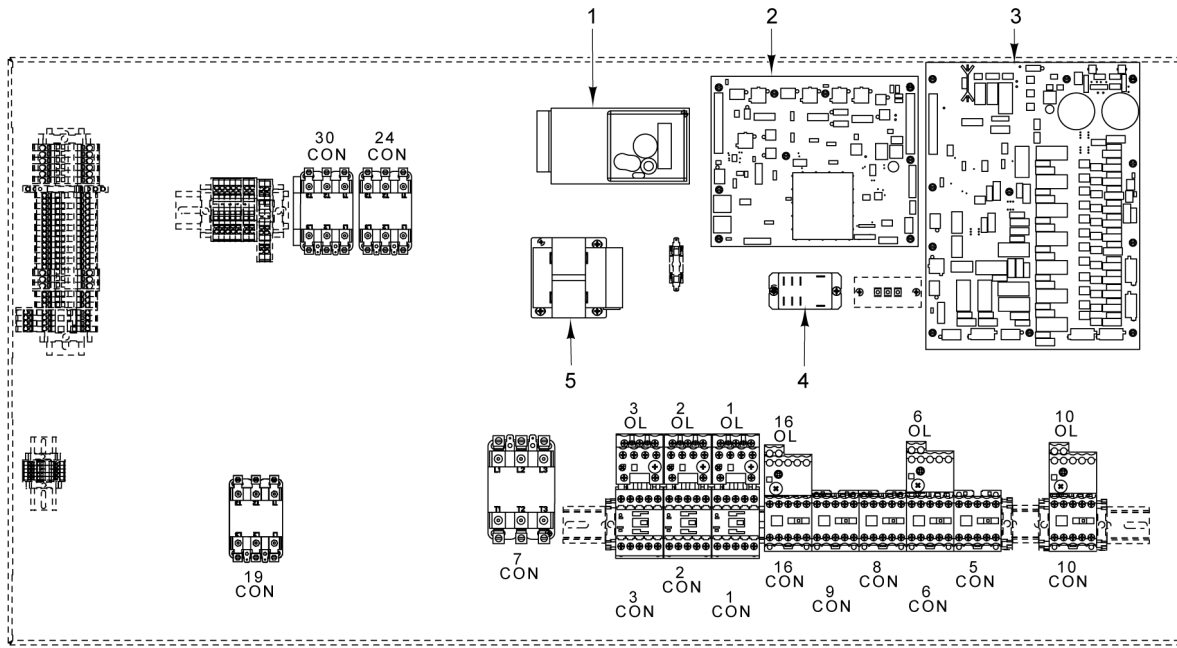
ILLUS. PL-61825	PART NO.	NAME OF PART	AMT.
1	00-562913-00001	Inverter - Frequency.....	1
2	00-949095	Board Assy.....	1
3	00-949096	Board Assy.....	1
4	00-087714-046-1	Relay (2-Pole) (30 Amp.).....	1
5	00-949952	Transformer (100 VA, 25 V.).....	1
6	00-475458-00005	Board Assy. - Temp. Control (Steam Boosters).....	1
7	00-949891	Contactor.....	AR
8	00-948104	Contactor (8 Amp., 3-Pole).....	AR
9	00-918322	Contactor (40 Amp., 3-Pole).....	AR
10	00-949362-00006	Relay - Overload (2.4 - 4.0 Amp Release Range).....	AR
11	00-949362-00007	Relay - Overload (4.0 - 6.0 Amp Release Range).....	AR
12	00-949362-00008	Relay - Overload (6.0 - 10 Amp Release Range).....	AR
13	00-949362-00009	Relay - Overload (9.0 - 12 Amp Release Range).....	AR
14	00-949362-00010	Relay - Overload (12 - 16 Amp Release Range).....	AR
15	00-948105-00001	Relay - Overload (2.4 - 4.0 Amp Release Range).....	AR
16	00-948105-00003	Relay - Overload (1.0 -1.6 Amp Release Range).....	AR
17	00-948105-00004	Relay - Overload (1.6 - 2.4 Amp Release Range).....	AR
18	00-949801-00003	Block - Terminal.....	2
19	00-562413	Label - Overload.....	AR



**BASEPLATE HARDWARE
(ADVANSYS)
(STEAM HEAT)**

**BASEPLATE HARDWARE
(ADVANSYS)
(STEAM HEAT)**

ILLUS. PL-61268	PART NO.	NAME OF PART	AMT.
1	00-949145-00001	Rail - Din (22 In.).....	1
2	00-949805	Stop - End.....	10
3	SD-008-25	Self-Tapping Screw 10-16 x 1/2 Phil. Pan Hd., Type B.....	AR
4	00-949917-00001	Cover - Wiring Duct (42 In.).....	2
5	00-949888-00004	Duct - Wiring (42 In.).....	2
6	SD-008-25	Self-Tapping Screw 10-16 x 1/2 Phil. Pan Hd., Type B.....	AR
7	WS-017-06	Washer (SST).....	AR
8	00-949145-00003	Rail - Din.....	2
9	00-949804-00001	Endplate - Terminal Block.....	2
10	00-949801-00001	Block - Terminal (Single Row) (600 V, 10 Amp.).....	22
11	00-947687	Bridge - Terminal Block (2-Pole).....	4
12	00-949145-00002	Rail - Din (8 In.).....	1
13	00-949802-00001	Block - Terminal (Multi) (600 V, 10 Amp.).....	6
14	00-947688	Bridge - Terminal Block (3-Pole).....	1
15	00-949804-00003	Endplate - Terminal Block.....	2
16	00-949801-00002	Block - Terminal.....	6
17	00-949801-00003	Block - Terminal (Single Row) (600 V, 15 Amp.).....	9
18	00-949804-00002	Endplate - Terminal Block.....	2
19	00-949917-00002	Cover - Wiring Duct (18 In.).....	1
20	00-949888-00005	Duct - Wiring (18 In.).....	1
21	00-949917-00003	Cover - Wiring Duct (8 In.).....	1
22	00-949888-00006	Duct - Wiring (8 In.).....	1
23	SD-008-18	Self-Tapping Screw 8-18 x 3/8 Phil. Bndg. Hd., Type B.....	6
24	SD-019-29	Self-Tapping Screw 6-20 x 1/2 Phil. Pan Hd., Type B.....	3
25	00-294436-00003	Block - Fuse.....	1
26	FE-025-72	Fuse (6.25 Amp.) (250 V.).....	1
27	00-294325-00009	Terminal Board Assy.....	1
28	SC-115-26	Mach. Screw 6-32 x 5/16 Pan Hd.....	20
29	FE-027-08	Standoff.....	20
30	00-948982	Plate - Main Base.....	1
31	00-950660-00004	Relay (12 VDC) (6 Amp.).....	1



20 00-562413 Label - Overload Setting
PART NOT ILLUSTRATED

	Tank 1 Pump	Tank 2 Pump	Tank 3 Pump	Dual Rinse Pump	Final Rinse Pump	Converyor Motor	ASR Pump	ASR Soil Pump	Blower / Dyer Motor	Exhaust Blower	Tank 2 Heater	Booster Heater	Blower / Dryer Heater	Compressor
Contactor	1 CON	2 CON	3 CON	5 CON	6 CON	7 CON	8 CON	9 CON	10 CON	16 CON	19 CON	24 CON	26 CON	30 CON
FT1000 Advansys	6	6	6	7	7	8	NA	NA	NA	7	8	8	NA	9
FT1000 Blower / Dryer	6	6	6	7	7	8	NA	NA	7	7	8	8	8	9
FT1000 ASR	6	6	6	7	7	8	7	7	NA	7	8	8	NA	9

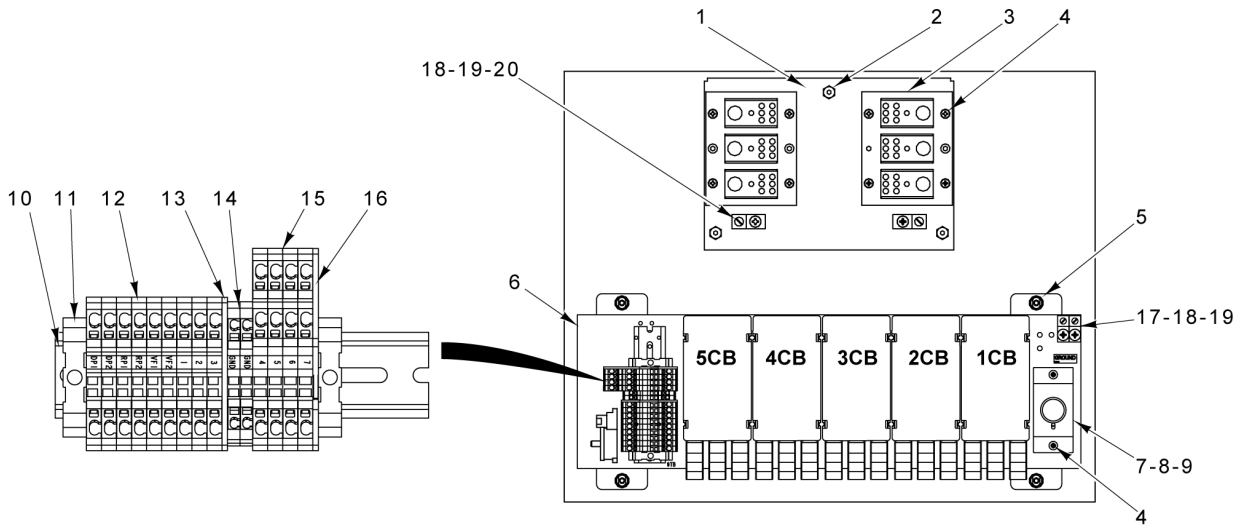
Overload Relay	Voltage	1OL	2OL	3OL	6OL	10OL	16OL
FT1000 Advansys	208-240 VAC - 50/60 Hz	13	13	13	15	NA	19
FT1000 Blower / Dryer		13	13	13	15	15	19
FT1000 Advansys	380-415 VAC - 50/ 60 Hz	11	11	11	16	NA	18
FT1000 Blower / Dryer		11	11	11	16	17	18
FT1000 Advansys	480 VAC - 60 Hz	11	11	11	16	NA	18
FT1000 Blower / Dryer		11	11	11	16	17	18
FT1000 Advansys	600 VAC - 60 Hz	11	11	11	16	NA	18
FT1000 Blower / Dryer		11	11	11	16	17	18

PL-61269

**BASEPLATE COMPONENTS
(ADVANSYS)
(STEAM HEAT)**

**BASEPLATE COMPONENTS
(ADVANSYS)
(STEAM HEAT)**

ILLUS. PL-61269	PART NO.	NAME OF PART	AMT.
1	00-562913-00001	Inverter - Frequency.....	1
2	00-949095	Board Assy.....	1
3	00-949096	Board Assy.....	1
4	00-087714-046-1	Relay (2-Pole) (30 Amp.).....	1
5	00-949952	Transformer (100 VA, 25 V.).....	1
6	00-949891	Contactora.....	3
7	00-948104	Contactora (8 Amp., 3-Pole).....	6
8	00-918322	Contactora (40 Amp., 3-Pole).....	2
9	00-087713-018-2	Contactora (W/Aux. Switch) (40 Amp., 3-Pole).....	AR
10	00-949362-00006	Relay - Overload (2.4 - 4.0 Amp Release Range).....	AR
11	00-949362-00007	Relay - Overload (4.0 - 6.0 Amp Release Range).....	AR
12	00-949362-00008	Relay - Overload (6.0 - 10 Amp Release Range).....	AR
13	00-949362-00009	Relay - Overload (9.0 - 12 Amp Release Range).....	AR
14	00-949362-00010	Relay - Overload (12 - 16 Amp Release Range).....	AR
15	00-948105-00001	Relay - Overload (2.4 - 4.0 Amp Release Range).....	AR
16	00-948105-00003	Relay - Overload (1.0 -1.6 Amp Release Range).....	AR
17	00-948105-00004	Relay - Overload (1.6 - 2.4 Amp Release Range).....	AR
18	00-948105-00005	Relay - Overload (0.24 - 0.4 Amp Release Range).....	AR
19	00-948105-00006	Relay - Overload (0.4 - 0.6 Amp Release Range).....	AR
20	00-974949	Label - Overload.....	AR



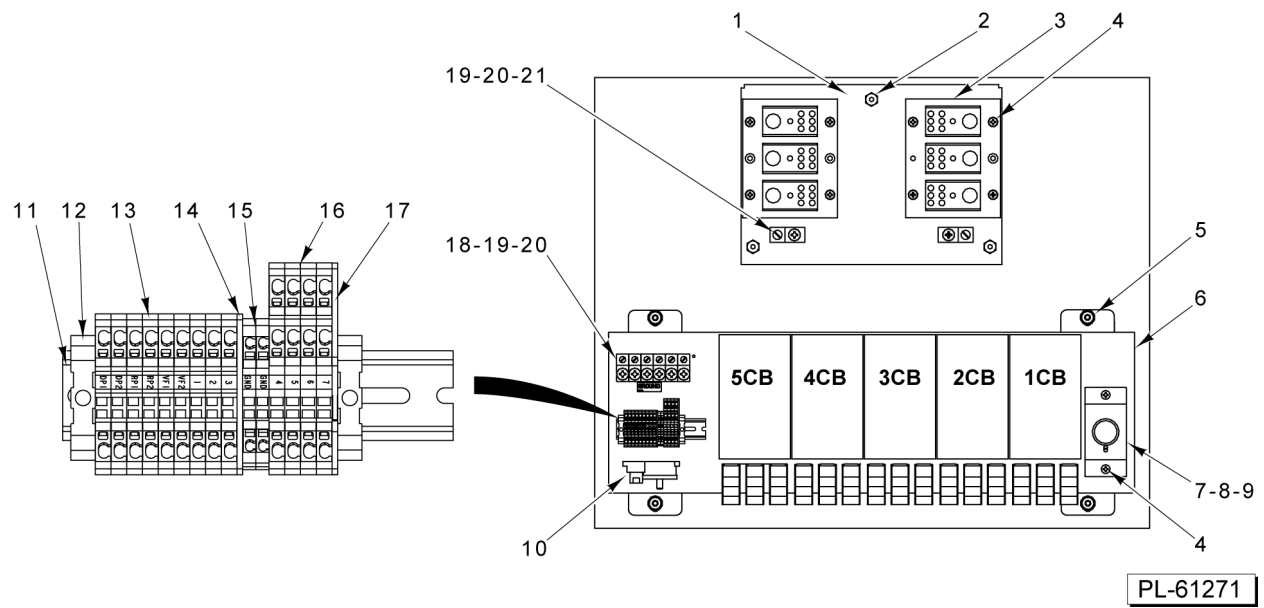
INPUT POWER	200-208 V.					240 V.					380 V.					415 V.					480 V.					600 V.									
	5 CB	4 CB	3 CB	2 CB	1 CB	5 CB	4 CB	3 CB	2 CB	1 CB	5 CB	4 CB	3 CB	2 CB	1 CB	5 CB	4 CB	3 CB	2 CB	1 CB	5 CB	4 CB	3 CB	2 CB	1 CB	5 CB	4 CB	3 CB	2 CB	1 CB					
ELECTRIC HEAT																																			
FT1000e Base / ER / ASR	35	31	36	37	34	34	29	35	36	34	27	25	29	33	27	27	23	29	31	27	25	23	27	29	27	24	22	26	28	26					
FT1000e Blower / Dryer	35	35	36	37	34	34	34	35	36	34	27	29	29	33	27	27	27	29	31	27	25	27	27	29	27	24	26	26	28	26					
FT1000e Advansys	31	33	37	37	34	29	31	37	36	34	25	25	33	33	27	NA	NA	NA	NA	NA	23	23	31	29	27	22	22	28	28	26					
FT1000Se Base / ER / ASR	35	31	36	36	31	34	29	35	35	31	27	25	29	29	25	27	23	29	29	25	25	23	27	27	25	24	22	26	26	24					
FT1000Se Blower / Dryer	35	35	36	36	31	34	34	35	35	31	27	29	29	29	25	27	27	29	29	25	25	27	27	27	25	24	26	26	26	24					
STEAM HEAT																																			
FT1000e Base / ER / ASR	NA	NA	NA	NA	34	NA	NA	NA	NA	34	NA	NA	NA	NA	27	NA	NA	NA	NA	27	NA	NA	NA	NA	27	NA	NA	NA	NA	26					
FT1000e Blower / Dryer	NA	NA	NA	NA	35	NA	NA	NA	NA	35	NA	NA	NA	NA	29	NA	NA	NA	NA	29	NA	NA	NA	NA	29	NA	NA	NA	NA	26					
FT1000e Advansys	31	NA	37	NA	35	29	NA	37	NA	35	25	NA	33	NA	29	NA	NA	NA	NA	NA	23	NA	31	NA	29	22	NA	28	NA	26					
FT1000Se Base / ER / ASR	NA	NA	NA	NA	31	NA	NA	NA	NA	31	NA	NA	NA	NA	25	NA	NA	NA	NA	25	NA	NA	NA	NA	25	NA	NA	NA	NA	24					
FT1000Se Blower / Dryer	NA	NA	NA	NA	33	NA	NA	NA	NA	33	NA	NA	NA	NA	27	NA	NA	NA	NA	27	NA	NA	NA	NA	27	NA	NA	NA	NA	24					

PL-61270

**UPPER CONTROL BOX
(CIRCUIT BREAKERS)**

**UPPER CONTROL BOX
(CIRCUIT BREAKERS)**

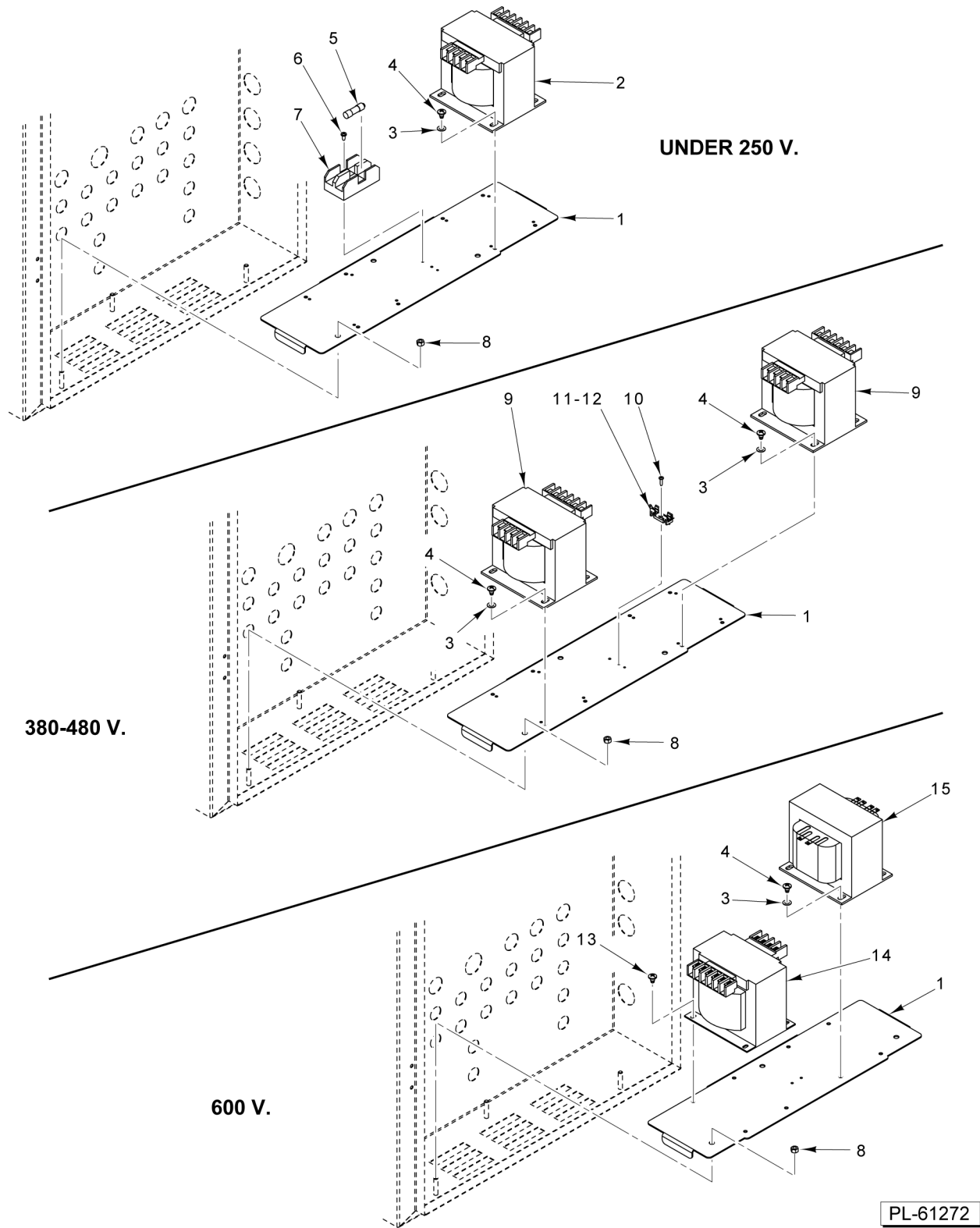
ILLUS. PL-61270	PART NO.	NAME OF PART	AMT.
1	00-949154	Plate - Terminal Block.....	1
2	NS-031-21	Stop Nut 1/4-20 Hex (SST).....	AR
3	00-122629	Block - Terminal.....	AR
4	SD-008-25	Self-Tapping Screw 10-16 x 1/2 Phil. Pan Hd., Type B.....	AR
5	WS-017-06	Washer (SST).....	AR
6	00-948777	Plate - Circuit Breaker.....	1
7	00-892001	Button - Push (Flush).....	1
8	00-949865	Bracket - Switch.....	1
9	00-749986-00004	Block - Contact (Start).....	1
10	00-949145-00004	DIN Rail.....	1
11	00-949805	Stop - End.....	2
12	00-949801-00003	Block - Terminal.....	9
13	00-949804-00002	Endplate - Terminal Block.....	1
14	00-949801-00002	Block - Terminal.....	AR
15	00-949802-00002	Block - Terminal.....	4
16	00-949804-00004	Endplate - Terminal Block.....	2
17	00-118544-00002	Lug - Grounding.....	AR
18	WL-007-15	Lockwasher 1/4 External Shakeproof.....	AR
19	SD-035-77	Self-Tapping Screw 1/4-20 x 3/8 Phil. Pan Hd., Type TT.....	AR
20	00-118544-00003	Lug - Solderless.....	AR
21	00-919646-00001	Breaker - Circuit (15 Amp.) (208-480 V.).....	AR
22	00-936859-00001	Breaker - Circuit (15 Amp.) (600 V.).....	AR
23	00-919646-00002	Breaker - Circuit (20 Amp.) (208-480 V.).....	AR
24	00-936859-00002	Breaker - Circuit (20 Amp.) (600 V.).....	AR
25	00-919646-00003	Breaker - Circuit (25 Amp.) (208-480 V.).....	AR
26	00-936859-00003	Breaker - Circuit (25 Amp.) (600 V.).....	AR
27	00-919646-00004	Breaker - Circuit (30 Amp.) (208-480 V.).....	AR
28	00-936859-00004	Breaker - Circuit (30 Amp.) (600 V.).....	AR
29	00-919646-00005	Breaker - Circuit (35 Amp.) (208-480 V.).....	AR
30	00-936859-00005	Breaker - Circuit (35 Amp.) (600 V.).....	AR
31	00-919646-00006	Breaker - Circuit (40 Amp.) (208-480 V.).....	AR
32	00-936859-00006	Breaker - Circuit (40 Amp.) (600 V.).....	AR
33	00-919646-00007	Breaker - Circuit (45 Amp.) (208-480 V.).....	AR
34	00-919646-00008	Breaker - Circuit (50 Amp.) (208-480 V.).....	AR
35	00-919646-00009	Breaker - Circuit (60 Amp.) (208-480 V.).....	AR
36	00-919646-00010	Breaker - Circuit (70 Amp.) (208-480 V.).....	AR
37	00-919646-00011	Breaker - Circuit (80 Amp.) (208-480 V.).....	AR
38	00-919646-00012	Breaker - Circuit (90 Amp.) (208-480 V.).....	AR
39	00-919646-00013	Breaker - Circuit (100 Amp.) (208-480 V.).....	AR



**UPPER CONTROL BOX
(TERMINAL BOARDS)**

**UPPER CONTROL BOX
(TERMINAL BOARDS)**

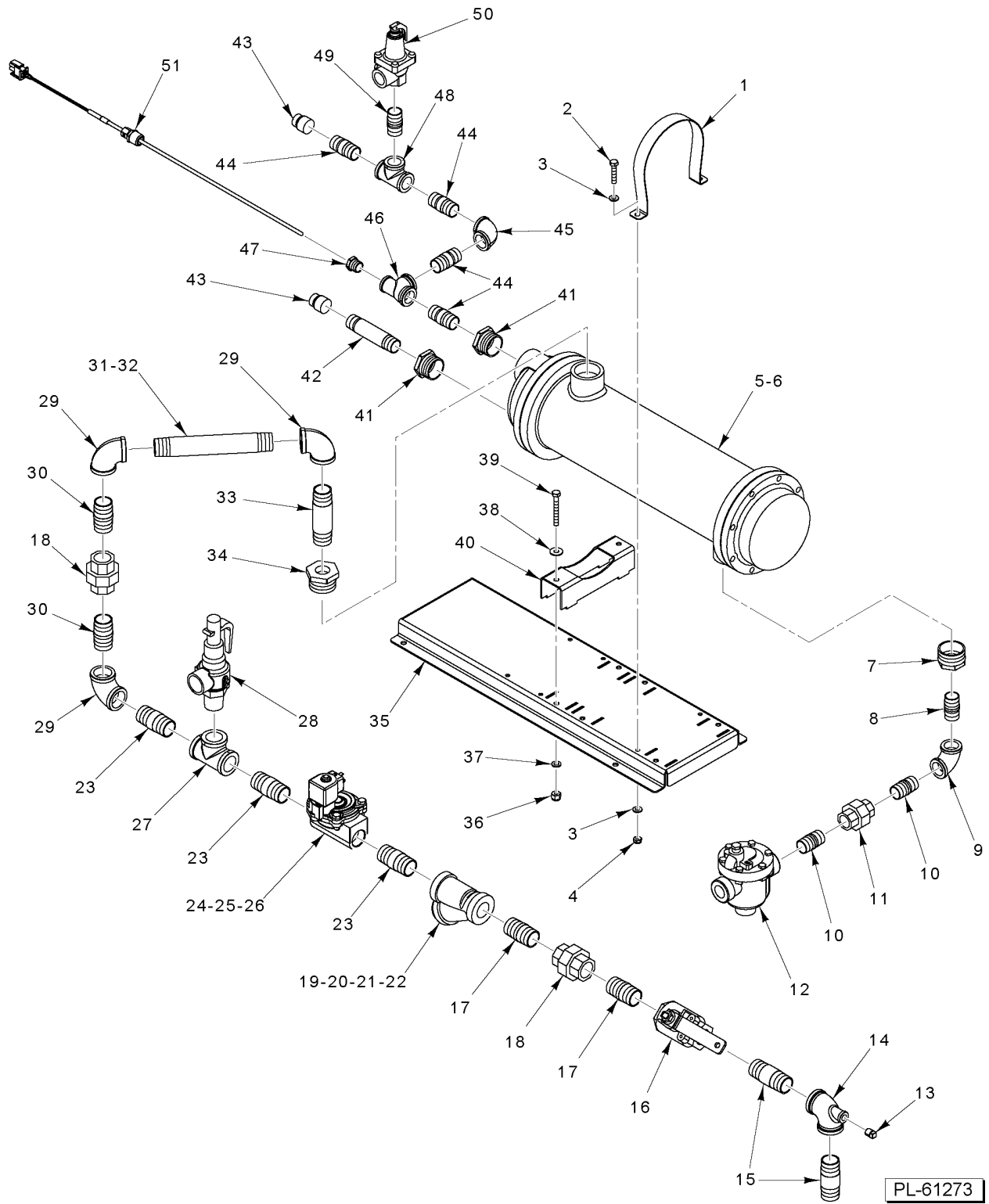
ILLUS.	PART NO.	NAME OF PART	AMT.
PL-61271			
1	00-949154	Plate - Terminal Block.....	1
2	NS-031-21	Stop Nut 1/4-20 Hex (SST).....	AR
3	00-122629	Block - Terminal.....	AR
4	SD-008-25	Self-Tapping Screw 10-16 x 1/2 Phil. Pan Hd., Type B.....	AR
5	WS-017-06	Washer (SST).....	AR
6	00-948777	Plate - Circuit Breaker.....	1
7	00-892001	Button - Push (Flush).....	1
8	00-949865	Bracket - Switch.....	1
9	00-749986-00004	Block - Contact (Start).....	1
10	00-974533	Pressure Transducer.....	1
11	00-949145-00004	DIN Rail.....	1
12	00-949805	Stop - End.....	2
13	00-949801-00003	Block - Terminal.....	9
14	00-949804-00002	Endplate - Terminal Block.....	1
15	00-949801-00002	Block - Terminal.....	AR
16	00-949802-00002	Block - Terminal.....	4
17	00-949804-00004	Endplate - Terminal Block.....	2
18	00-118544-00002	Lug - Grounding.....	AR
19	WL-007-15	Lockwasher 1/4 External Shakeproof.....	AR
20	SD-035-77	Self-Tapping Screw 1/4-20 x 3/8 Phil. Pan Hd., Type TT.....	AR
21	00-118544-00003	Lug - Solderless.....	AR
22	00-949047	Block - Terminal (175 Amp.).....	AR



TRANSFORMER BASE PLATE ASSEMBLY

TRANSFORMER BASE PLATE ASSEMBLY

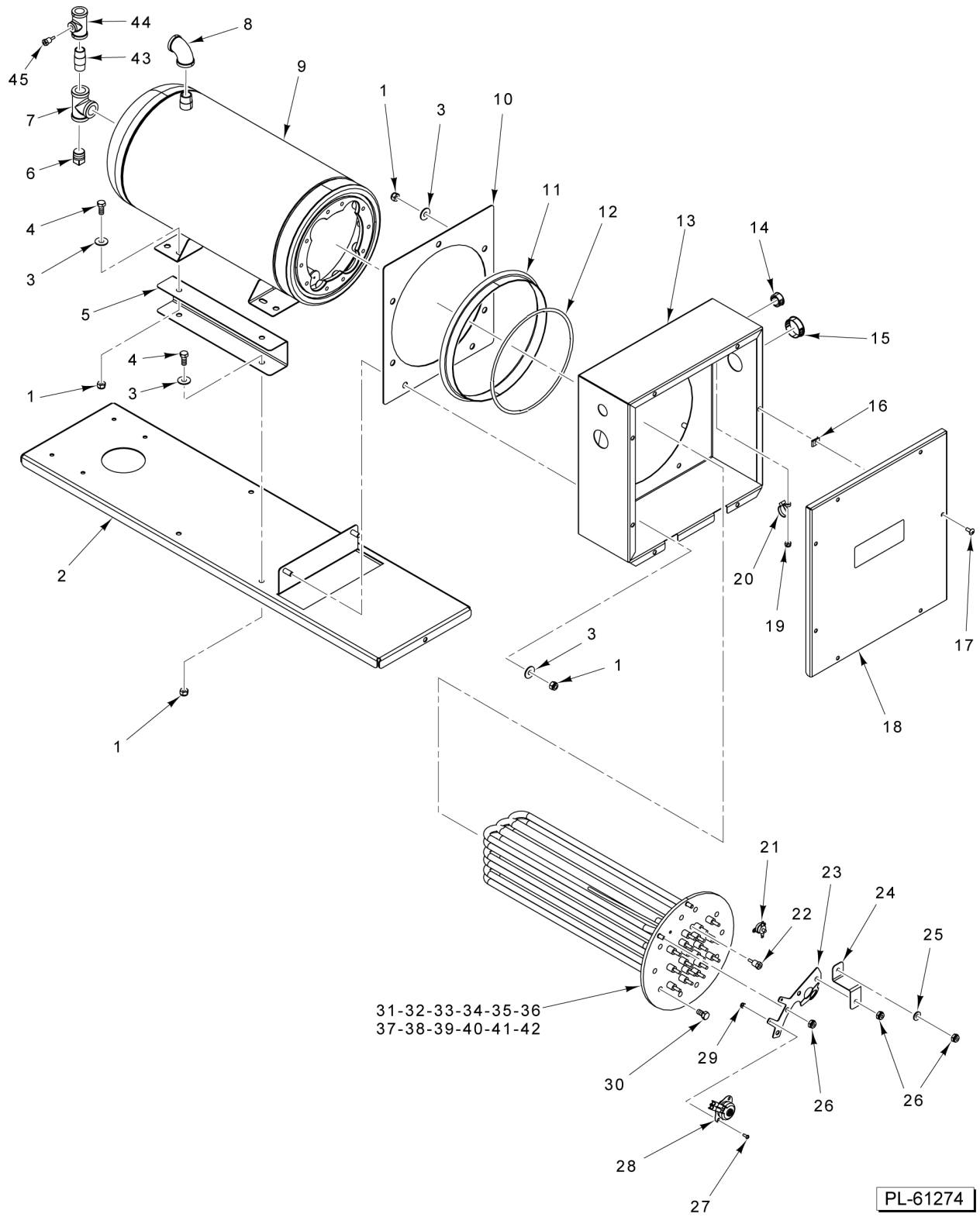
ILLUS.	PART NO.	NAME OF PART	AMT.
PL-61272			
1	00-949181	Plate - Transformer.....	1
2	00-294500-00035	Transformer (500 VA, 50/60 Hz.).....	1
3	WL-007-15	Lockwasher 1/4 External Shakeproof.....	AR
4	SD-035-77	Self-Tapping Screw 1/4-20 x 3/8 Phil. Pan Hd., Type TT.....	AR
5	FE-025-24	Fuse (15 Amp.).....	2
6	SD-008-18	Self-Tapping Screw 8-18 x 3/8 Phil. Bndg. Hd., Type B.....	2
7	00-855028-00001	Block - Fuse.....	1
8	NS-031-21	Stop Nut 1/4-20 Hex (SST).....	3
9	00-294500-00035	Transformer (500 VA, 50/60 Hz.).....	2
10	SD-019-29	Self-Tapping Screw 6-20 x 1/2 Phil. Pan Hd., Type B.....	1
11	00-294436-00003	Block - Fuse.....	1
12	FE-017-03	Fuse (2 Amp.) Slo-Blo.....	1
13	SD-008-25	Self-Tapping Screw 10-16 x 1/2 Phil. Pan Hd., Type B.....	4
14	00-294500-00038	Transformer 500 VA (600 V.).....	1
15	00-294500-024-6	Transformer (600 V, 500 VA).....	1



STEAM BOOSTER

STEAM BOOSTER

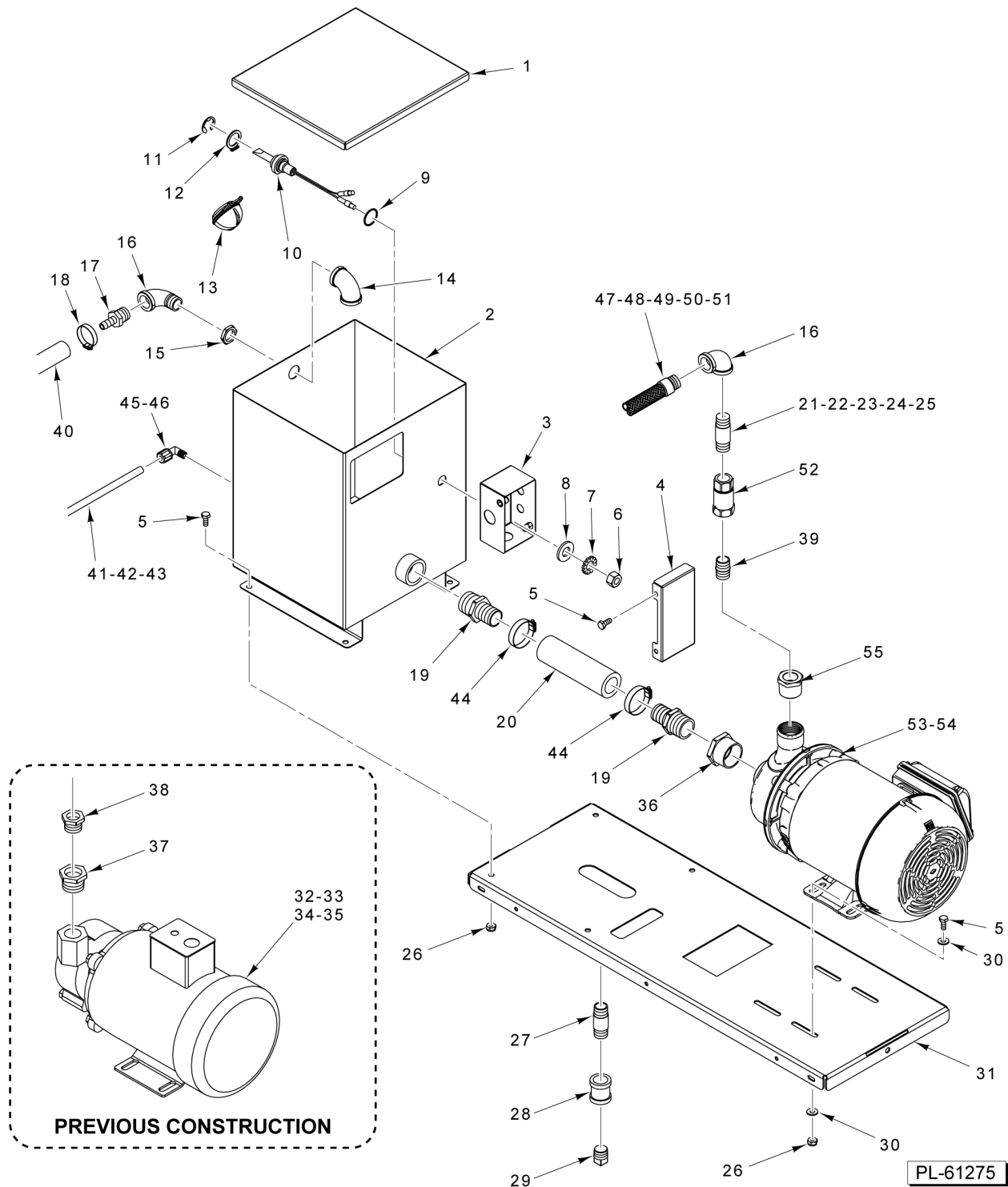
ILLUS.	PART NO.	NAME OF PART	AMT.
PL-61273			
1	00-749585-00003	Strap - Booster.....	2
2	SC-041-06	Cap Screw 1/4-20 x 1-1/4 Hex Hd. (SST).....	4
3	WS-017-06	Washer (SST).....	8
4	NS-031-21	Stop Nut 1/4-20 Hex (SST).....	4
5	00-081987-00001	Heater - Thrush Water #150-1.....	1
6	00-081987-00003	Heater - Thrush Water #120.....	1
7	FP-026-34	Bushing 1-1/2 to 3/4 Inside Hex Reducing.....	1
8	FP-036-02	Pipe 3/4 x 2-1/2 TBE.....	1
9	FP-013-22	Elbow Pipe 3/4 x 90 Deg.....	1
10	FP-036-92	Pipe 3/4 x 1-3/8 TBE (Black).....	2
11	FP-022-17	Union 3/4 (Grd. Seat).....	1
12	00-118317	Steam Trap (21-50 PSI).....	1
13	FP-028-06	Pipe Plug 1/4 Sq. Hd.....	1
14	FP-019-81	Tee - Pipe 1 x 1/4 x 1.....	1
15	FP-036-19	Pipe 1 x 3.....	2
16	00-892149	Valve 1 In. Ball.....	1
17	FP-059-41	Pipe 1 x 1-3/4 TBE.....	2
18	FP-022-23	Union - Pipe (1 In.).....	2
19	00-748967	Stainer - Line (1 In.) (Incls. Items 20, 21, & 22).....	1
20	00-749172-00001	Cap, for 1" #11 Strainer.....	1
21	00-749172-00002	Plug, 3/8" Plug for 1" #11 Strainer.....	1
22	00-749172-00003	Screen (1 Line Strainer), 80 Mesh Screen #11 Strainer.....	1
23	FP-059-32	Pipe 1 x 2-1/2 TBE.....	3
24	00-919172	Valve - Steam (1 In.) (Incls. Item 25).....	1
25	00-919174	Coil - Solenoid (1 In.).....	1
26	00-919176	Kit - Service Valve (1 In.).....	1
27	FP-019-38	Tee - Pipe 1 x 1 x 1.....	1
28	00-065281	Valve 3/4 Safety.....	1
29	FP-013-27	Elbow - Pipe 1 x 90 Deg.....	3
30	FP-059-50	Pipe 1 x 2 TBE.....	2
31	FP-085-58	Pipe 1 x 8 (150 Booster).....	1
32	FP-067-05	Pipe 1 x 10 (120 Booster).....	1
33	FP-036-22	Pipe 1 x 4.....	1
34	FP-026-68	Bushing 1-1/2 to 1 In.....	1
35	00-949388	Support - Booster.....	1
36	NS-031-29	Stop Nut 5/16-18 Hex (SST).....	4
37	WS-017-08	Washer (0.328 x 0.625 x 0.062) (SST).....	4
38	WS-017-01	Washer 0.328 x 0.875 x 0.062 (SST).....	4
39	SC-041-62	Cap Screw 5/16-18 x 2-1/2 Hex Hd. (SST).....	4
40	00-949389	Bracket - Booster Support.....	2
41	FP-027-41	Bushing 1-1/4 to 3/4 Outside Hex Reducing.....	2
42	FP-042-06	Pipe 3/4 x 7-1/2 (Brass).....	1
43	FP-077-63	Coupling - Reducing 3/4 x 1/2 (Brass).....	2
44	FP-041-54	Pipe 3/4 x 2 (Brass).....	4
45	FP-015-23	Elbow 3/4 x 90 Deg. (Brass).....	1
46	FP-019-35	Tee - Pipe 3/4 x 1/2 x 3/4.....	1
47	FP-027-13	Bushing - Pipe 1/2 to 3/8 (Brass).....	1
48	FP-019-28	Tee - Pipe 3/4 x 3/4 x 3/4 (Brass).....	1
49	FP-041-50	Pipe 3/4 x 1-3/8 TBE (Brass).....	1
50	00-082010	Valve - Safety Relief (3/4 In.).....	1
51	00-562194-00002	Probe Assy.....	1



ELECTRIC BOOSTER

ELECTRIC BOOSTER

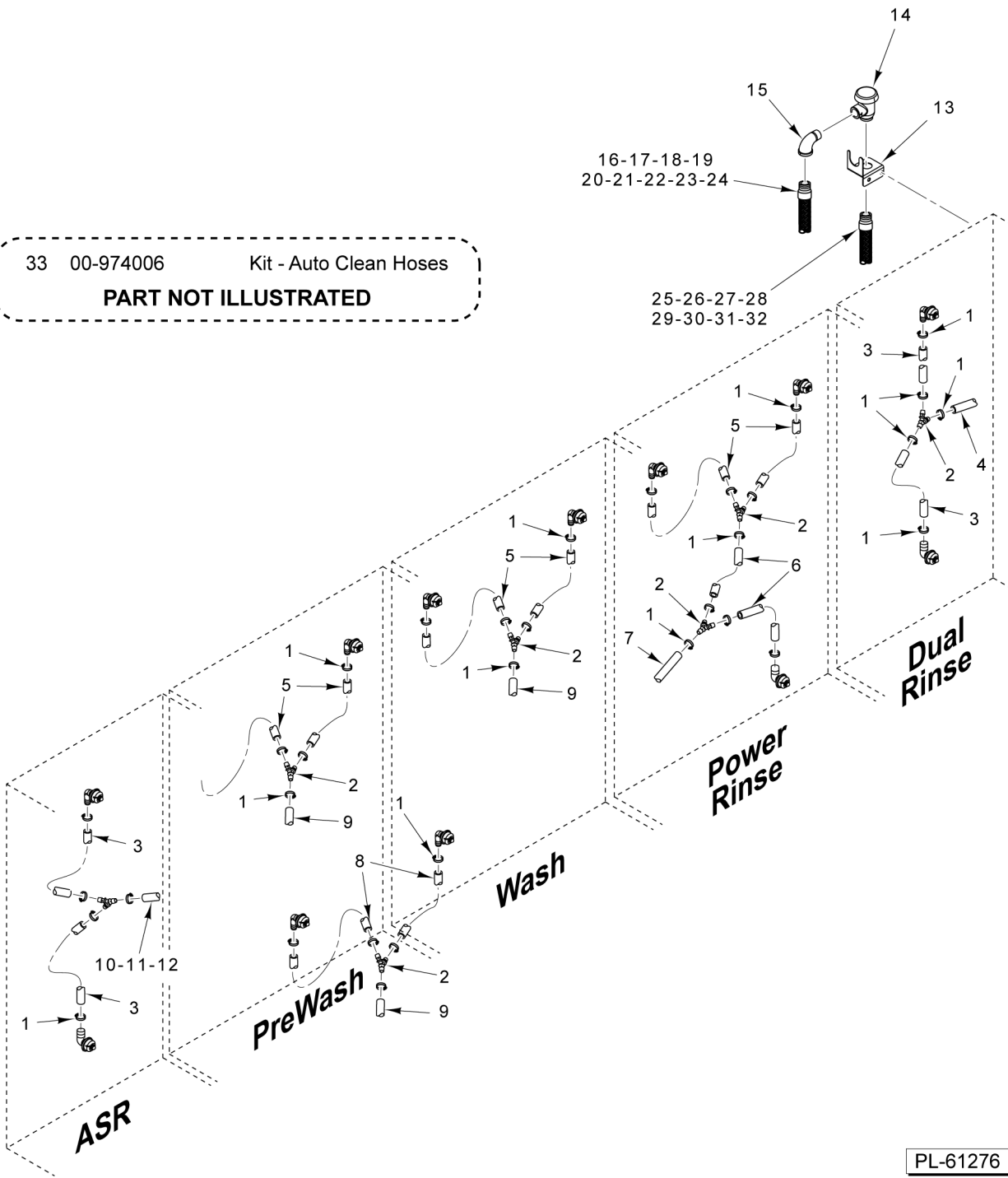
ILLUS.	PART NO.	NAME OF PART	AMT.
	PL-61274		
1	NS-036-19	Stop Nut 5/16-18 Hex Special (SST).....	AR
2	00-949540	Support - Booster.....	1
3	WS-017-01	Washer 0.328 x 0.875 x 0.062 (SST).....	AR
4	SC-041-11	Cap Screw 5/16-18 x 3/4 Hex Hd. (SST).....	AR
5	00-949562	Bracket - Support.....	2
6	FP-028-15	Pipe Plug 1/2 Sq. Hd. (Brass).....	1
7	FP-019-21	Tee - Pipe 1/2 x 1/2 x 1/2 (Brass).....	1
8	FP-015-16	Elbow - Pipe 1/2 x 90 Deg. (Brass).....	1
9	00-918500-00002	Tank - Booster.....	1
10	00-949563	Plate - Booster.....	1
11	00-941221	Gasket - Control Box.....	1
12	00-067500-00148	O-Ring.....	1
13	00-949539	Box - Booster.....	1
14	PB-005-36	Plug.....	1
15	PB-005-16	Plug.....	1
16	00-074348	Speed Nut 10-24.....	7
17	SC-066-06	Mach. Screw 10-24 x 1/2 Phil. Truss Hd. (SST).....	7
18	00-949538	Cover - Booster Box.....	1
19	NS-031-15	Stop Nut 10-24 Hex (SST).....	1
20	00-122577	Tie.....	1
21	00-294615-00001	Control - Temperature.....	1
22	00-328994	Probe Assy. - Rinse.....	1
23	00-941226	Bracket (Electrical Booster Hi Limit).....	1
24	00-941216	Bracket (Control Box to Booster).....	1
25	WS-017-06	Washer (SST).....	1
26	NS-031-21	Stop Nut 1/4-20 Hex (SST).....	3
27	SC-127-26	Mach. Screw 6-32 x 3/8 Phil. Rd. Hd. (SST).....	2
28	00-271123	Protector - High Limit.....	1
29	NS-031-50	Stop Nut 6-32 Hex (SST).....	2
30	00-918512	Mounting Screw (With Sealer).....	10
31	00-562104-00001	Element - Heater Weldment (208 V.) (15 kW).....	1
32	00-562104-00002	Element - Heater Weldment (240 V.) (15 kW).....	1
33	00-562104-00003	Element - Heater Weldment (380 V.) (15 kW).....	1
34	00-562104-00004	Element - Heater Weldment (480 V.) (15 kW).....	1
35	00-562104-00005	Element - Heater Weldment (600 V.) (15 kW).....	1
36	00-562104-00006	Element - Heater Weldment (415 V.) (15 kW).....	1
37	00-562104-00007	Element - Heater Weldment (208 V.) (10.7 kW) (Advansys).....	1
38	00-562104-00008	Element - Heater Weldment (240 V.) (10.7 kW) (Advansys).....	1
39	00-562104-00009	Element - Heater Weldment (380 V.) (10.7 kW) (Advansys).....	1
40	00-562104-00010	Element - Heater Weldment (480 V.) (10.7 kW) (Advansys).....	1
41	00-562104-00011	Element - Heater Weldment (600 V.) (10.7 kW) (Advansys).....	1
42	00-562104-00012	Element - Heater Weldment (415 V.) (10.7 kW) (Advansys).....	1
43	FP-040-43	Pipe 1/2 x 1-1/4 TBE (Brass).....	1
44	FP-087-51	Tee.....	1
45	00-328994	Probe Assy. - Rinse.....	1



PUMPED FINAL RINSE MOTOR ASSEMBLY

ILLUS.	PART NO.	NAME OF PART	AMT.
PL-61275			
1	00-949411	Lid - Tank (Rinse Pump).....	1
2	00-949356	Tank Assy. (Rinse Pump).....	1
3	00-949732	Box Assy. (Float Assy.).....	1
4	00-949735	Lid Assy. (Float Assy.).....	1
5	SC-041-05	Cap Screw 1/4-20 x 5/8 Hex Hd. (SST).....	10
6	NS-018-28	Jam Nut 1/2-20 Hex (SST).....	1
7	WL-014-31	Lockwasher 1/2 External Shakeproof (SST).....	1
8	WS-010-40	Washer - Thrust.....	1
9	00-067500-00072	O-Ring.....	1
10	00-936547-00003	Probe & Switch Assy. (2-Wire) (Long) (Incls. Items 11, 12, & 13).....	1
11	RR-010-13	Retaining Ring.....	1
12	00-112467	Retainer - Float.....	1
13	00-122674	Float Assy.....	1
14	FP-015-16	Elbow - Pipe 1/2 x 90 Deg. (Brass).....	1
15	FP-030-16	Lock Nut 1/2 Pipe (Brass).....	1
16	FP-015-16	Elbow - Pipe 1/2 x 90 Deg. (Brass).....	2
17	FP-090-64	Adapter 1/2 MPT to 3/8 Hose.....	1
18	00-528500	Clamp - Hose.....	1
19	FP-090-19	Fitting - Hose 1 In.....	2
20	00-949905	Hose - Intake (Rinse Pump).....	1
21	00-950083	Restrictor - Flow (.980 GPM) (Units Without Energy Recovery).....	1
22	00-950083-00002	Restrictor - Flow (.980 GPM) (Units With Energy Recovery).....	1
23	00-950083-00003	Restrictor (Units Without Energy Recovery for High Flow Rate).....	1
24	00-950083-00004	Restrictor - Flow (1.500 GPM) (Units With Energy Recovery for High Flow Rate).....	1
25	00-950083-00006	Restrictor - Flow (.980 GPM) (Units Without Energy Recovery) (HTS).....	1
26	NS-031-21	Stop Nut 1/4-20 Hex (SST).....	8
27	FP-040-50	Pipe 1/2 x 2 TBE (Brass).....	1
28	FP-023-19	Coupling - Pipe 1/2 (Brass).....	1
29	FP-028-15	Pipe Plug 1/2 Sq. Hd. (Brass).....	1
30	WS-017-06	Washer (SST).....	8
31	00-948278-00005	Support - Motor (Rinse Pump).....	1
32	00-949187-00001	Pump & Motor Assy. (208-480 V., 60 Hz., 3 Ph.) (Rinse Pump) (Previous Construction)	1
33	00-949187-00002	Pump & Motor Assy. (200-415 V., 50 Hz., 3 Ph.) (Rinse Pump) (Previous Construction)	1
34	00-949187-00003	Pump & Motor Assy. (600 V., 60 Hz., 3 Ph.) (Rinse Pump) (Previous Construction)	1
35	00-949187-00004	Pump & Motor Assy. (380 V., 60 Hz., 3 Ph.) (Rinse Pump) (Previous Construction)	1
36	FP-027-28	Bushing - Pipe 1-1/4 to 1.....	1
37	FP-027-25	Bushing - Pipe 1 to 3/4 (Previous Construction).....	1
38	FP-027-22	Bushing - Pipe 3/4 to 1/2 (Brass) (Previous Construction).....	1
39	FP-040-42	Pipe 1/2 x 1-1/8 TBE (Brass).....	1
40	00-941726-00016	Hose.....	1
41	00-950188-00001	Tube.....	AR
42	00-950188-00002	Tube.....	AR
43	00-950188-00003	Tube.....	AR
44	00-528500	Clamp - Hose.....	2
45	FP-087-46	Fitting - Tube 1/4.....	2
46	FP-028-03	Pipe Plug 1/8 Sq. Hd. (Brass) (Auto delime only).....	1
47	00-893444-00003	Hose - Water (Braided) (96 In.) (SST).....	AR
48	00-893444-00005	Hose - Water (Braided) (120 In.) (SST).....	AR
49	00-893444-00007	Hose - Water (Braided) (58 In.) (SST).....	AR
50	00-893444-00009	Hose - Water (Braided) (36 In.) (SST).....	AR
51	FP-023-19	Coupling - Pipe 1/2 (Brass).....	AR
52	00-949410	Check Valve (1/2 In.) (Spring Loaded).....	1
53	00-563561-00001	Pump & Motor Assy. (230/460 V., 60 Hz. & 190-220/380-415 V., 50 Hz. 3 Ph.) (Rinse Pump) (Current Construction).....	1
54	00-563561-00002	Pump & Motor Assy. (600 V., 60 Hz., 3 Ph.) (Rinse Pump) (Current Construction)	1
55	FP-075-12	Bushing - Pipe 1 to 1/2 (Brass).....	1

33 00-974006 Kit - Auto Clean Hoses
PART NOT ILLUSTRATED

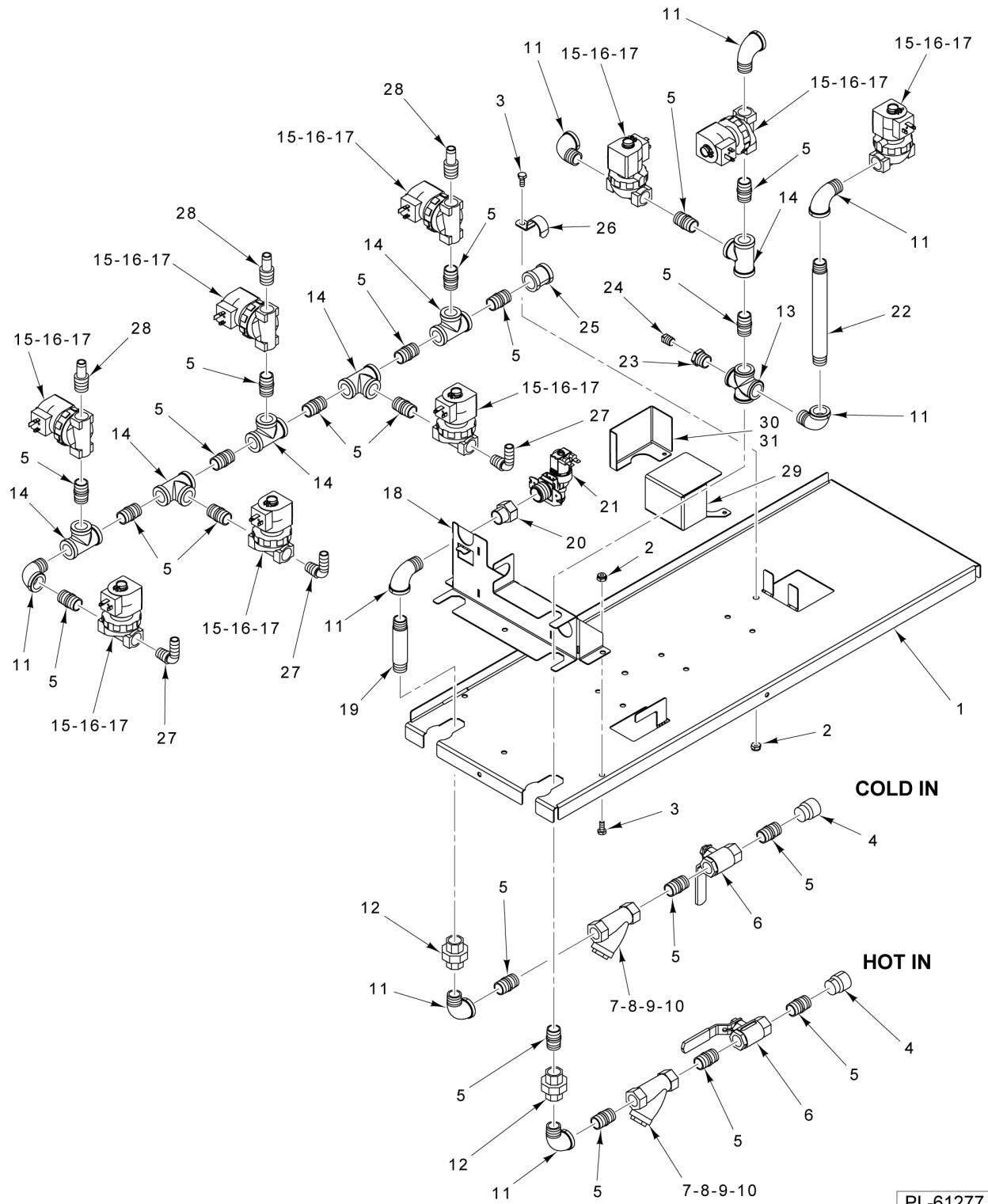


PL-61276

AUTO CLEAN HOSES

AUTO CLEAN HOSES

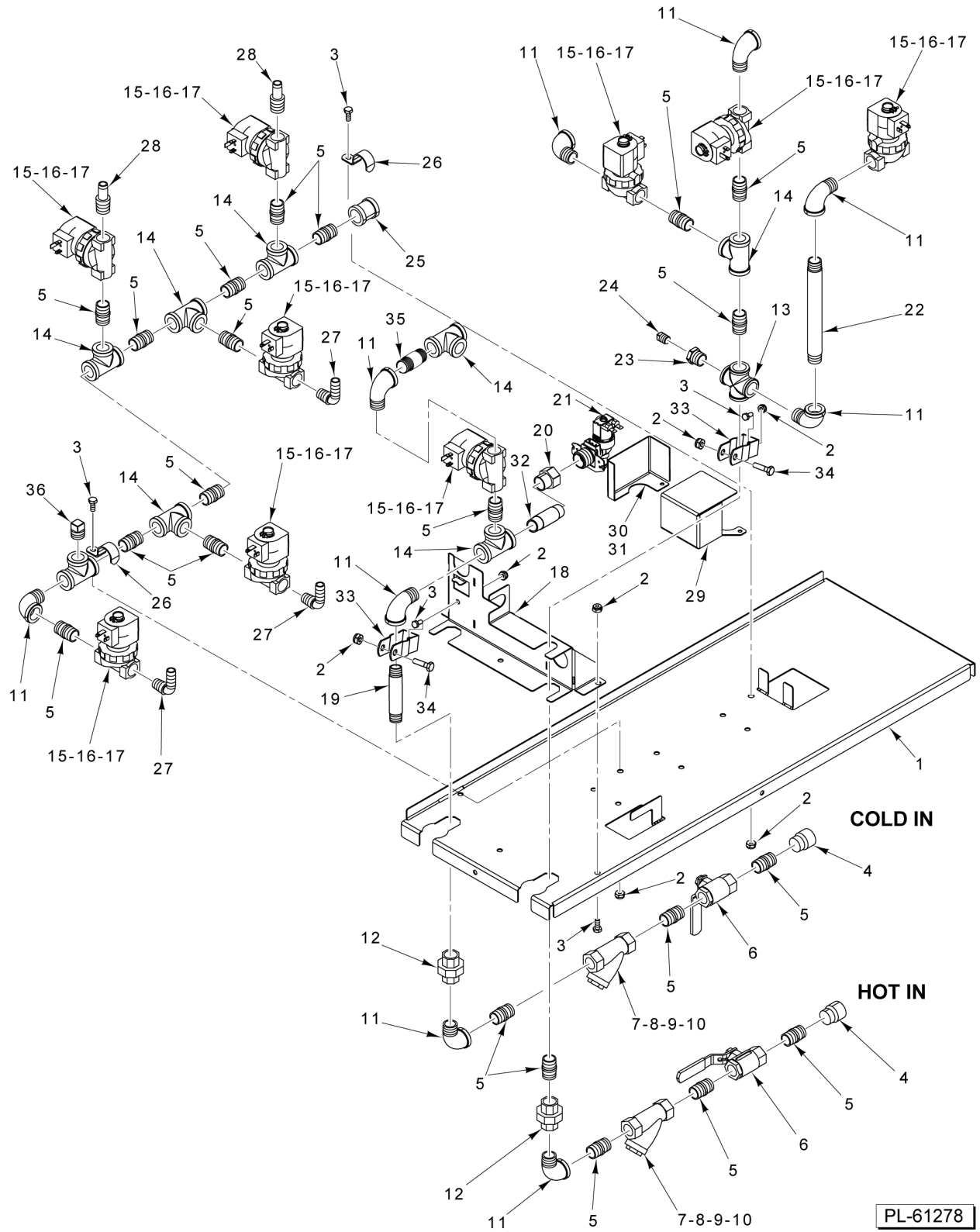
ILLUS. PL-61276	PART NO.	NAME OF PART	AMT.
1	00-528500	Clamp - Hose.....	AR
2	FP-091-77	Wye.....	AR
3	00-949942-00006	Hose (12 In.).....	AR
4	00-949942-00005	Hose (115 In.).....	AR
5	00-949942-00007	Hose (18 In.).....	AR
6	00-949942-00009	Hose (9 In.).....	AR
7	00-949942-00004	Hose (124 In.).....	AR
8	00-949942-00008	Hose (20 In.).....	AR
9	00-949942-00003	Hose (184 In.).....	AR
10	00-949942-00001	Hose (270 In.).....	AR
11	00-949942-00002	Hose (22 In.).....	AR
12	00-949942-00010	Hose (200 In.).....	AR
13	00-950537	Bracket.....	1
14	00-292909-00002	Vacuum Breaker 1/2 In.....	1
15	FP-015-17	Elbow - Pipe 1/2 x 90 Deg. (Brass).....	1
16	00-893444-00001	Hose - Water (Braided) (66 In.) (SST).....	AR
17	00-893444-00002	Hose - Water (Braided) (84 In.) (SST).....	AR
18	00-893444-00003	Hose - Water (Braided) (96 In.) (SST).....	AR
19	00-893444-00004	Hose - Water (Braided) (108 In.) (SST).....	AR
20	00-893444-00005	Hose - Water (Braided) (120 In.) (SST).....	AR
21	00-918390-00006	Hose - Braided Water 1/2 x 22 In. (SST).....	AR
22	00-893444-00007	Hose - Braided Water 1/2 x 58 In. (SST).....	AR
23	00-893444-00009	Hose - Water (Braided) (36 In.) (SST).....	AR
24	FP-023-19	Coupling - Pipe 1/2 (Brass).....	AR
25	00-893444-00001	Hose - Water (Braided) (66 In.) (SST).....	AR
26	00-893444-00002	Hose - Water (Braided) (84 In.) (SST).....	AR
27	00-893444-00004	Hose - Water (Braided) (108 In.) (SST).....	AR
28	00-893444-00005	Hose - Water (Braided) (120 In.) (SST).....	AR
29	00-918390-00006	Hose - Braided Water 1/2 x 22 In. (SST).....	AR
30	00-893444-00007	Hose - Braided Water 1/2 x 58 In. (SST).....	AR
31	00-893444-00009	Hose - Water (Braided) (36 In.) (SST).....	AR
32	FP-023-19	Coupling - Pipe 1/2 (Brass).....	AR
33	00-974006	Kit - Auto Clean Hoses (Incls. Items 7, 9, 10, 11, & Clamps).....	1



**FILL PLUMBING
(WITH AUTOCLEAN) (R-L)**

**FILL PLUMBING
(WITH AUTOCLEAN) (R-L)**

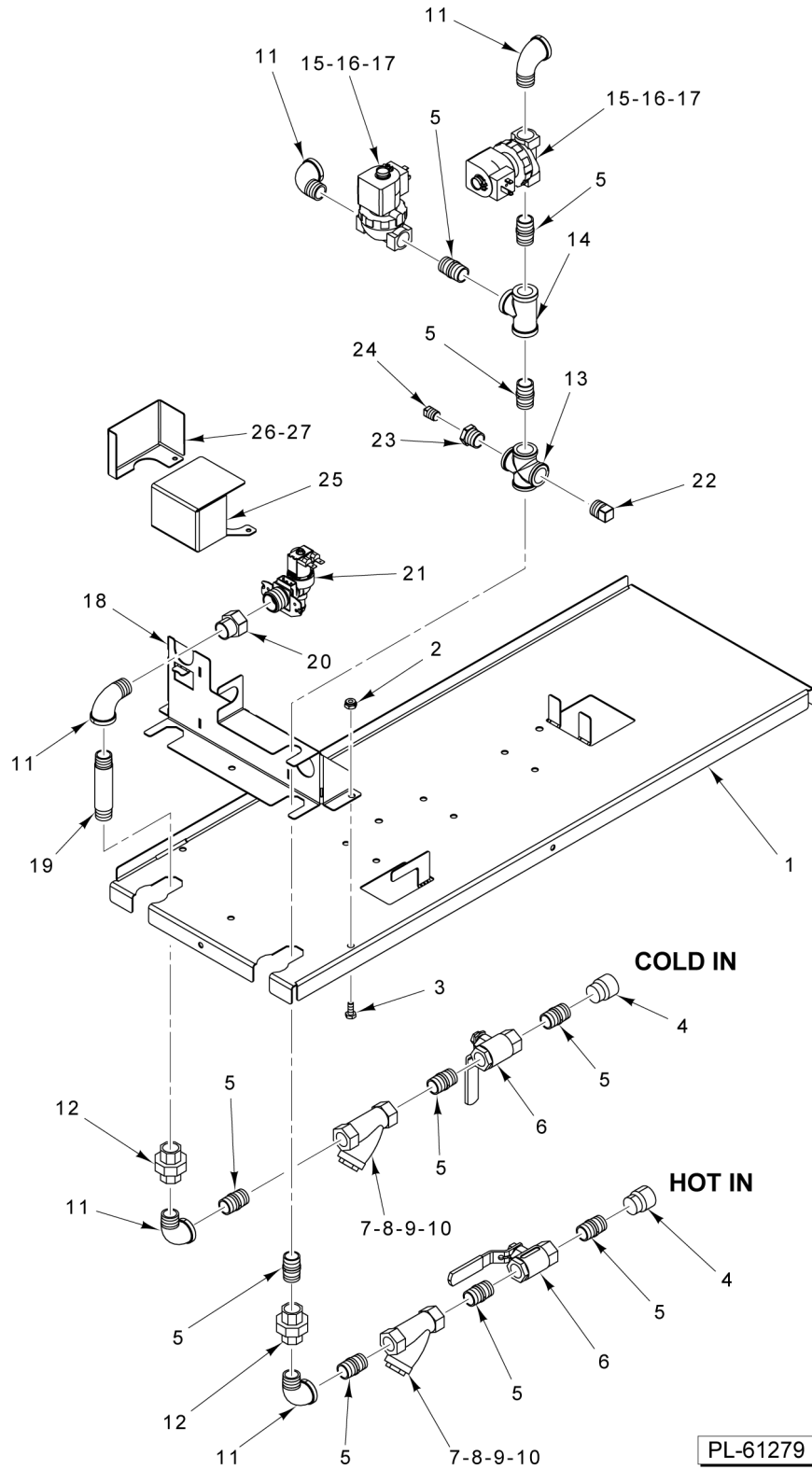
ILLUS. PL-61277	PART NO.	NAME OF PART	AMT.
1	00-949658	Plate - Base (R-L).....	1
2	NS-031-21	Stop Nut 1/4-20 Hex (SST).....	5
3	SC-041-05	Cap Screw 1/4-20 x 5/8 Hex Hd. (SST).....	5
4	FP-091-62	Coupling - Reducing 1 to 1/2.....	2
5	FP-040-43	Pipe 1/2 x 1-1/4 TBE (Brass).....	21
6	00-893520	Ball Valve 1/2.....	2
7	00-270258	Strainer - Line (1/2) (Brass) (Incls. Items 8, 9, & 10).....	2
8	00-270259	Plug - Branch.....	2
9	00-270260	Screen - Strainer (1/2 In.).....	2
10	00-270261	Gasket.....	2
11	FP-015-17	Elbow - Pipe 1/2 x 90 Deg. (Brass).....	8
12	FP-022-12	Union - Pipe (Brass).....	2
13	FP-034-02	Cross - Pipe 1/2 x 1/2 x 1/2 x 1/2 (Brass).....	1
14	FP-019-21	Tee - Pipe 1/2 x 1/2 x 1/2 (Brass).....	6
15	00-893100-00001	Solenoid Valve (1/2) (120 V.) (Incls. Items 16 & 17).....	9
16	00-892132	Coil - Solenoid Valve (120 V.).....	9
17	00-893101	Service Kit - 1/2 Solenoid Valve.....	9
18	00-949659	Bracket - Plumbing (R-L).....	1
19	FP-040-69	Pipe 1/2 x 3-1/2 TBE (Brass).....	1
20	FP-091-75	Reducer 3/4 to 1/2.....	1
21	00-893100-00001	Solenoid Valve (1/2) (120 V.).....	1
22	FP-040-95	Pipe 1/2 x 7 TBE (Brass).....	1
23	FP-027-07	Bushing - Pipe 1/2 to 1/4 (Brass).....	1
24	FP-028-07	Pipe Plug 1/4 Sq. Hd. (Brass).....	1
25	FP-023-19	Coupling - Pipe 1/2 (Brass).....	1
26	FE-026-42	Clamp (1 In.).....	2
27	FP-090-78	Fitting - Elbow (1/2 Hose).....	3
28	FP-090-77	Fitting - Hose 5/8 (Brass).....	3
29	00-949999	Box (Deltrol).....	1
30	00-950004	Cover - Box (Deltrol).....	1
31	SC-123-25	Cap Screw M4 X 0.7 X 12MM Hex Hd. (SST).....	1



**FILL PLUMBING
(WITH AUTOCLEAN)
(W/O ENERGY RECOVERY) (R-L)**

**FILL PLUMBING
(WITH AUTOCLEAN)
(W/O ENERGY RECOVERY) (R-L)**

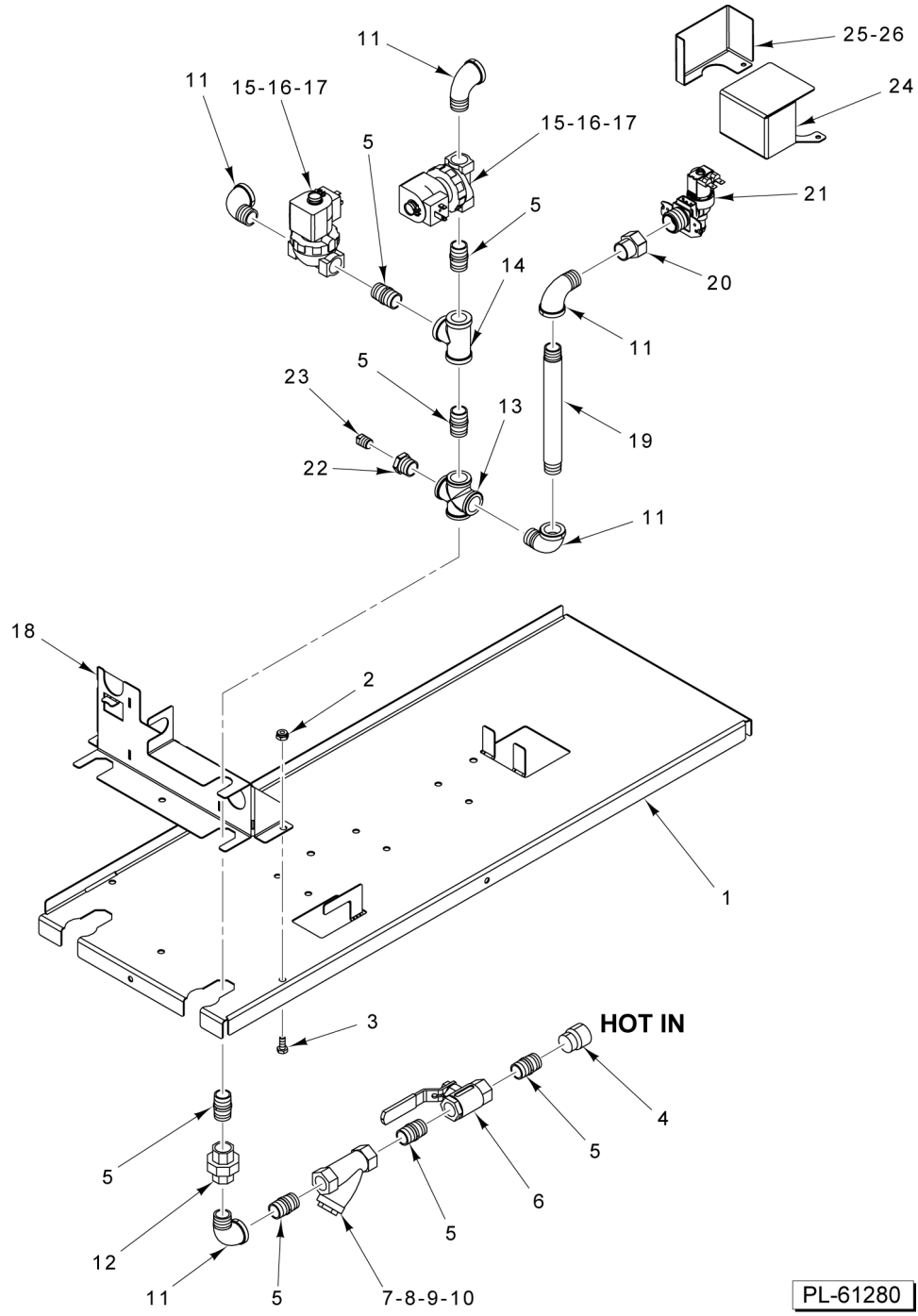
ILLUS. PL-61278	PART NO.	NAME OF PART	AMT.
1	00-949658	Plate - Base (R-L).....	1
2	NS-031-21	Stop Nut 1/4-20 Hex (SST).....	5
3	SC-041-05	Cap Screw 1/4-20 x 5/8 Hex Hd. (SST).....	5
4	FP-091-62	Coupling - Reducing 1 to 1/2.....	2
5	FP-040-43	Pipe 1/2 x 1-1/4 TBE (Brass).....	21
6	00-893520	Ball Valve 1/2.....	2
7	00-270258	Strainer - Line (1/2) (Brass) (Incls. Items 8, 9, & 10).....	2
8	00-270259	Plug - Branch.....	2
9	00-270260	Screen - Strainer (1/2 In.).....	2
10	00-270261	Gasket.....	2
11	FP-015-17	Elbow - Pipe 1/2 x 90 Deg. (Brass).....	9
12	FP-022-12	Union - Pipe (Brass).....	2
13	FP-034-02	Cross - Pipe 1/2 x 1/2 x 1/2 x 1/2 (Brass).....	1
14	FP-019-21	Tee - Pipe 1/2 x 1/2 x 1/2 (Brass).....	8
15	00-893100-00001	Solenoid Valve (1/2) (120 V.) (Incls. Items 16 & 17).....	9
16	00-892132	Coil - Solenoid Valve (120 V.).....	9
17	00-893101	Service Kit - 1/2 Solenoid Valve.....	9
18	00-949659	Bracket - Plumbing (R-L).....	1
19	FP-040-71	Pipe 1/2 x 3 3/4 TBE (Brass).....	1
20	FP-091-75	Reducer 3/4 to 1/2.....	1
21	00-893100-00001	Solenoid Valve (1/2) (120 V.).....	1
22	FP-040-95	Pipe 1/2 x 7 TBE (Brass).....	1
23	FP-027-07	Bushing - Pipe 1/2 to 1/4 (Brass).....	1
24	FP-028-07	Pipe Plug 1/4 Sq. Hd. (Brass).....	1
25	FP-023-19	Coupling - Pipe 1/2 (Brass).....	1
26	FE-026-42	Clamp (1 In.).....	2
27	FP-090-78	Fitting - Elbow (1/2 Hose).....	3
28	FP-090-77	Fitting - Hose 5/8 (Brass).....	2
29	00-949999	Box (Deltrol).....	1
30	00-562067	Cover - Box (Deltrol).....	1
31	00-562068	Cap Screw M4 X 0.7 X 12MM Hex Hd. (SST).....	1
32	FP-040-59	Pipe 1/2 x 2-3/4 Lg. TBE (Brass).....	1
33	00-947844-00001	Hanger.....	2
34	SC-041-02	Cap Screw 1/4-20 x 1 Hex Hd. (SST).....	4
35	00-950083	Restrictor - Flow (.980 GPM).....	1
36	FP-028-15	Pipe Plug 1/2 Sq. Hd. (Brass).....	1



**FILL PLUMBING
(NO AUTOCLEAN) (R-L)**

**FILL PLUMBING
(NO AUTOCLEAN) (R-L)**

ILLUS.	PART NO.	NAME OF PART	AMT.
PL-61279			
1	00-949658	Plate - Base (R-L).....	1
2	NS-031-21	Stop Nut 1/4-20 Hex (SST).....	3
3	SC-041-05	Cap Screw 1/4-20 x 5/8 Hex Hd. (SST).....	3
4	FP-091-62	Coupling - Reducing 1 to 1/2.....	2
5	FP-040-43	Pipe 1/2 x 1-1/4 TBE (Brass).....	10
6	00-893520	Ball Valve 1/2.....	2
7	00-270258	Strainer - Line (1/2) (Brass) (Incls. Items 8, 9, & 10).....	2
8	00-270259	Plug - Branch.....	2
9	00-270260	Screen - Strainer (1/2 In.).....	2
	00-270261	Gasket.....	2
11	FP-015-17	Elbow - Pipe 1/2 x 90 Deg. (Brass).....	5
12	FP-022-12	Union - Pipe (Brass).....	2
13	FP-034-02	Cross - Pipe 1/2 x 1/2 x 1/2 x 1/2 (Brass).....	1
14	FP-019-21	Tee - Pipe 1/2 x 1/2 x 1/2 (Brass).....	1
15	00-893100-00001	Solenoid Valve (1/2) (120 V.) (Incls. Items 16 & 17).....	2
16	00-892132	Coil - Solenoid Valve (120 V.).....	2
17	00-893101	Service Kit - 1/2 Solenoid Valve.....	2
18	00-949659	Bracket - Plumbing (R-L).....	1
19	FP-040-69	Pipe 1/2 x 3-1/2 TBE (Brass).....	1
20	FP-091-75	Reducer 3/4 to 1/2.....	1
21	00-893100-00001	Solenoid Valve (1/2) (120 V.).....	1
22	FP-028-15	Pipe Plug 1/2 Sq. Hd. (Brass).....	1
23	FP-027-07	Bushing - Pipe 1/2 to 1/4 (Brass).....	1
24	FP-028-07	Pipe Plug 1/4 Sq. Hd. (Brass).....	1
25	00-949999	Box (Deltrol).....	1
26	00-950004	Cover - Box (Deltrol).....	1
27	SC-123-25	Cap Screw M4 X 0.7 X 12MM Hex Hd. (SST).....	1

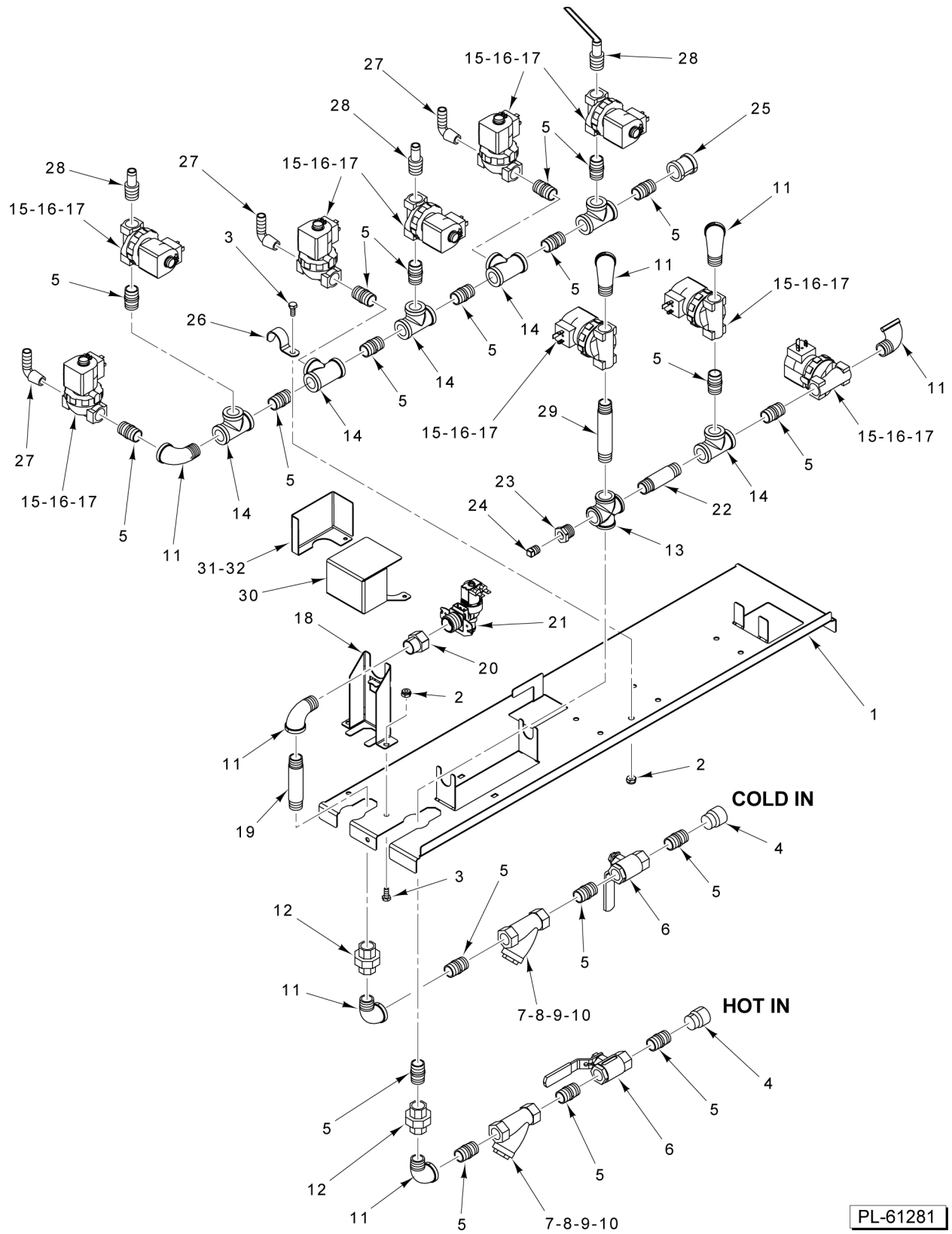


PL-61280

**FILL PLUMBING
(BASE UNIT) (R-L)**

**FILL PLUMBING
(BASE UNIT) (R-L)**

ILLUS. PL-61280	PART NO.	NAME OF PART	AMT.
1	00-949658	Plate - Base (R-L).....	1
2	NS-031-21	Stop Nut 1/4-20 Hex (SST).....	3
3	SC-041-05	Cap Screw 1/4-20 x 5/8 Hex Hd. (SST).....	3
4	FP-091-62	Coupling - Reducing 1 to 1/2.....	1
5	FP-040-43	Pipe 1/2 x 1-1/4 TBE (Brass).....	7
6	00-893520	Ball Valve 1/2.....	1
7	00-270258	Strainer - Line (1/2) (Brass) (Incls. Items 8, 9, & 10).....	1
8	00-270259	Plug - Branch.....	1
9	00-270260	Screen - Strainer (1/2 In.).....	1
10	00-270261	Gasket.....	1
11	FP-015-17	Elbow - Pipe 1/2 x 90 Deg. (Brass).....	4
12	FP-022-12	Union - Pipe (Brass).....	1
13	FP-034-02	Cross - Pipe 1/2 x 1/2 x 1/2 x 1/2 (Brass).....	1
14	FP-019-21	Tee - Pipe 1/2 x 1/2 x 1/2 (Brass).....	1
15	00-893100-00001	Solenoid Valve (1/2) (120 V.) (Incls. Items 16 & 17).....	2
16	00-892132	Coil - Solenoid Valve (120 V.).....	2
17	00-893101	Service Kit - 1/2 Solenoid Valve.....	2
18	00-949659	Bracket - Plumbing (R-L).....	1
19	FP-040-95	Pipe 1/2 x 7 TBE (Brass).....	1
20	FP-091-75	Reducer 3/4 to 1/2.....	1
21	00-893100-00001	Solenoid Valve (1/2) (120 V.).....	1
22	FP-027-07	Bushing - Pipe 1/2 to 1/4 (Brass).....	1
23	FP-028-07	Pipe Plug 1/4 Sq. Hd. (Brass).....	1
24	00-949999	Box (Deltrol).....	1
25	00-950004	Cover - Box (Deltrol).....	1
26	SC-123-25	Cap Screw M4 X 0.7 X 12MM Hex Hd. (SST).....	1

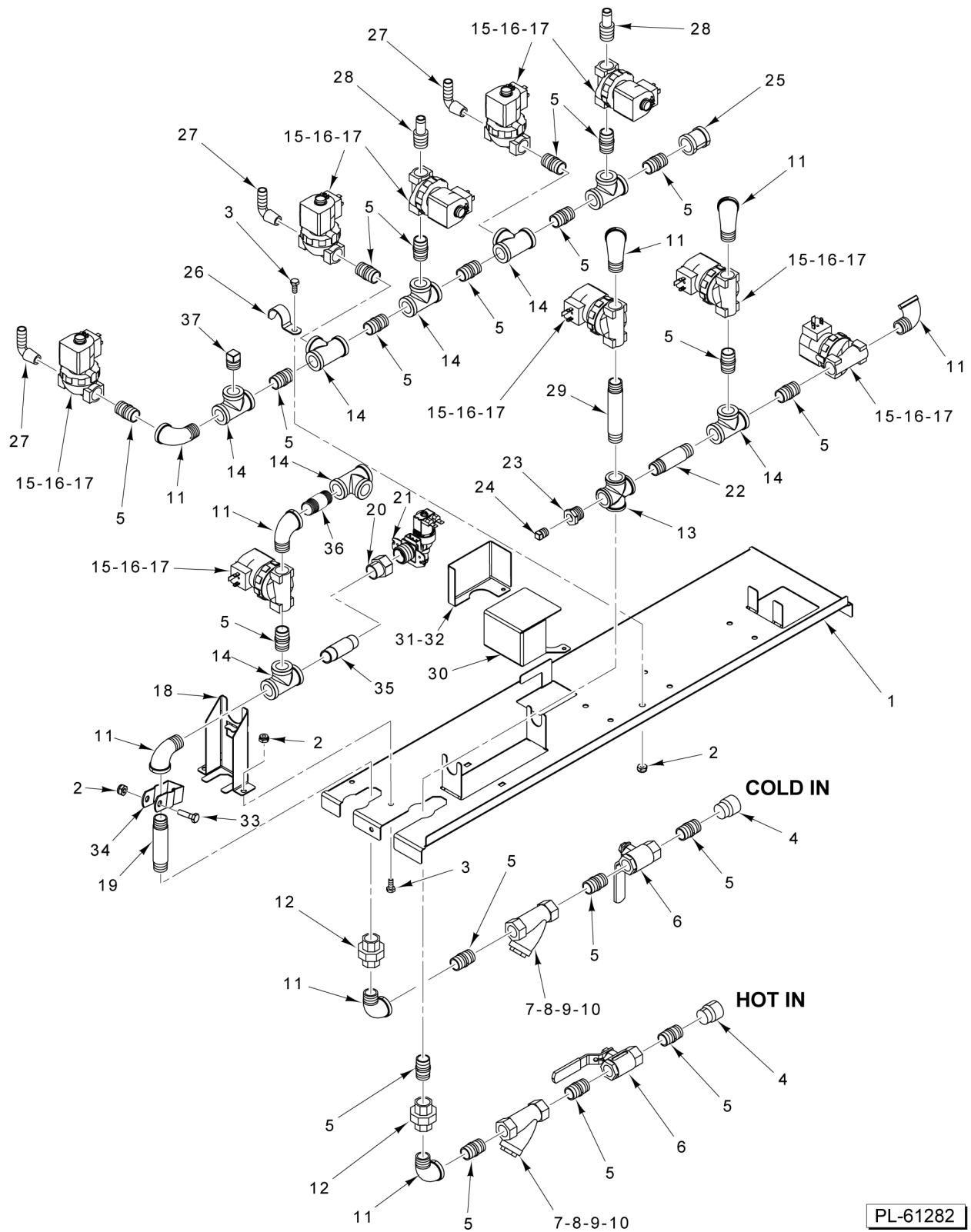


PL-61281

**FILL PLUMBING
(WITH AUTOCLEAN) (L-R)**

FILL PLUMBING (WITH AUTOCLEAN) (L-R)

ILLUS. PL-61281	PART NO.	NAME OF PART	AMT.
1	00-949663	Plate - Base (L-R).....	1
2	NS-031-21	Stop Nut 1/4-20 Hex (SST).....	3
3	SC-041-05	Cap Screw 1/4-20 x 5/8 Hex Hd. (SST).....	3
4	FP-091-62	Coupling - Reducing 1 to 1/2.....	2
5	FP-040-43	Pipe 1/2 x 1-1/4 TBE (Brass).....	20
6	00-893520	Ball Valve 1/2.....	2
7	00-270258	Strainer - Line (1/2) (Brass) (Incls. Items 8, 9, & 10).....	2
8	00-270259	Plug - Branch.....	2
9	00-270260	Screen - Strainer (1/2 In.).....	2
10	00-270261	Gasket.....	2
11	FP-015-17	Elbow - Pipe 1/2 x 90 Deg. (Brass).....	7
12	FP-022-12	Union - Pipe (Brass).....	2
13	FP-034-02	Cross - Pipe 1/2 x 1/2 x 1/2 x 1/2 (Brass).....	1
14	FP-019-21	Tee - Pipe 1/2 x 1/2 x 1/2 (Brass).....	6
15	00-893100-00001	Solenoid Valve (1/2) (120 V.) (Incls. Items 16 & 17).....	9
16	00-892132	Coil - Solenoid Valve (120 V.).....	9
17	00-893101	Service Kit - 1/2 Solenoid Valve.....	9
18	00-949664	Bracket - Plumbing (L-R).....	1
19	FP-040-69	Pipe 1/2 x 3-1/2 TBE (Brass).....	1
20	FP-091-75	Reducer 3/4 to 1/2.....	1
21	00-893100-00001	Solenoid Valve (1/2) (120 V.).....	1
22	FP-040-59	Pipe 1/2 x 2-3/4 Lg. TBE (Brass).....	1
23	FP-027-07	Bushing - Pipe 1/2 to 1/4 (Brass).....	1
24	FP-028-07	Pipe Plug 1/4 Sq. Hd. (Brass).....	1
25	FP-023-19	Coupling - Pipe 1/2 (Brass).....	1
26	FE-026-42	Clamp (1 In.).....	1
27	FP-090-78	Fitting - Elbow (1/2 Hose).....	3
28	FP-090-77	Fitting - Hose 5/8 (Brass).....	3
29	FP-040-73	Pipe 1/2 x 4 TBE (Brass).....	1
30	00-949999	Box (Deltrol).....	1
31	00-950004	Cover - Box (Deltrol).....	1
32	SC-123-25	Cap Screw M4 X 0.7 X 12MM Hex Hd. (SST).....	1



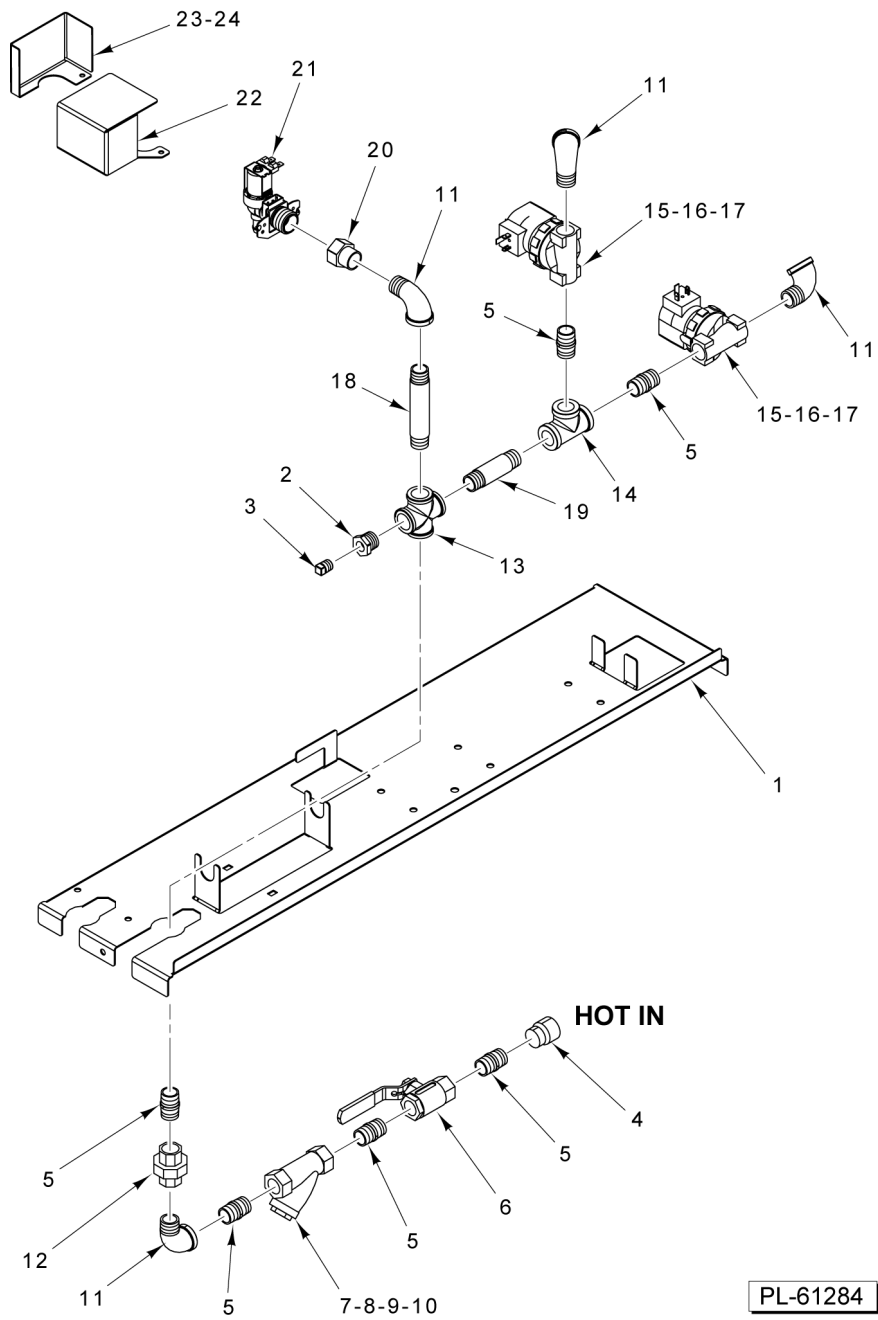
**FILL PLUMBING
(WITH AUTOCLEAN)
(W/O ENERGY RECOVERY) (L-R)**

**FILL PLUMBING
(WITH AUTOCLEAN)
(W/O ENERGY RECOVERY) (L-R)**

ILLUS. PL-61282	PART NO.	NAME OF PART	AMT.
1	00-949663	Plate - Base (L-R).....	1
2	NS-031-21	Stop Nut 1/4-20 Hex (SST).....	3
3	SC-041-05	Cap Screw 1/4-20 x 5/8 Hex Hd. (SST).....	3
4	FP-091-62	Coupling - Reducing 1 to 1/2.....	2
5	FP-040-43	Pipe 1/2 x 1-1/4 TBE (Brass).....	20
6	00-893520	Ball Valve 1/2.....	2
7	00-270258	Strainer - Line (1/2) (Brass) (Incls. Items 8, 9, & 10).....	2
8	00-270259	Plug - Branch.....	2
9	00-270260	Screen - Strainer (1/2 In.).....	2
10	00-270261	Gasket.....	2
11	FP-015-17	Elbow - Pipe 1/2 x 90 Deg. (Brass).....	8
12	FP-022-12	Union - Pipe (Brass).....	2
13	FP-034-02	Cross - Pipe 1/2 x 1/2 x 1/2 x 1/2 (Brass).....	1
14	FP-019-21	Tee - Pipe 1/2 x 1/2 x 1/2 (Brass).....	8
15	00-893100-00001	Solenoid Valve (1/2) (120 V.) (Incls. Items 16 & 17).....	9
16	00-892132	Coil - Solenoid Valve (120 V.).....	9
17	00-893101	Service Kit - 1/2 Solenoid Valve.....	9
18	00-949664	Bracket - Plumbing (L-R).....	1
19	FP-040-71	Pipe 1/2 x 3 3/4 TBE (Brass).....	1
20	FP-091-75	Reducer 3/4 to 1/2.....	1
21	00-893100-00001	Solenoid Valve (1/2) (120 V.).....	1
22	FP-040-59	Pipe 1/2 x 2-3/4 Lg. TBE (Brass).....	1
23	FP-027-07	Bushing - Pipe 1/2 to 1/4 (Brass).....	1
24	FP-028-07	Pipe Plug 1/4 Sq. Hd. (Brass).....	1
25	FP-023-19	Coupling - Pipe 1/2 (Brass).....	1
26	FE-026-42	Clamp (1 In.).....	1
27	FP-090-78	Fitting - Elbow (1/2 Hose).....	3
28	FP-090-77	Fitting - Hose 5/8 (Brass).....	2
29	FP-040-73	Pipe 1/2 x 4 TBE (Brass).....	1
30	00-949999	Box (Deltrol).....	1
31	00-950004	Cover - Box (Deltrol).....	1
32	SC-123-25	Cap Screw M4 X 0.7 X 12MM Hex Hd. (SST).....	1
33	SC-041-02	Cap Screw 1/4-20 x 1 Hex Hd. (SST).....	1
34	00-947844-00001	Hanger.....	1
35	FP-040-59	Pipe 1/2 x 2-3/4 Lg. TBE (Brass).....	1
36	00-950083	Restrictor - Flow (.980 GPM).....	1
37	FP-028-15	Pipe Plug 1/2 Sq. Hd. (Brass).....	1

**FILL PLUMBING
(NO AUTOCLEAN) (L-R)**

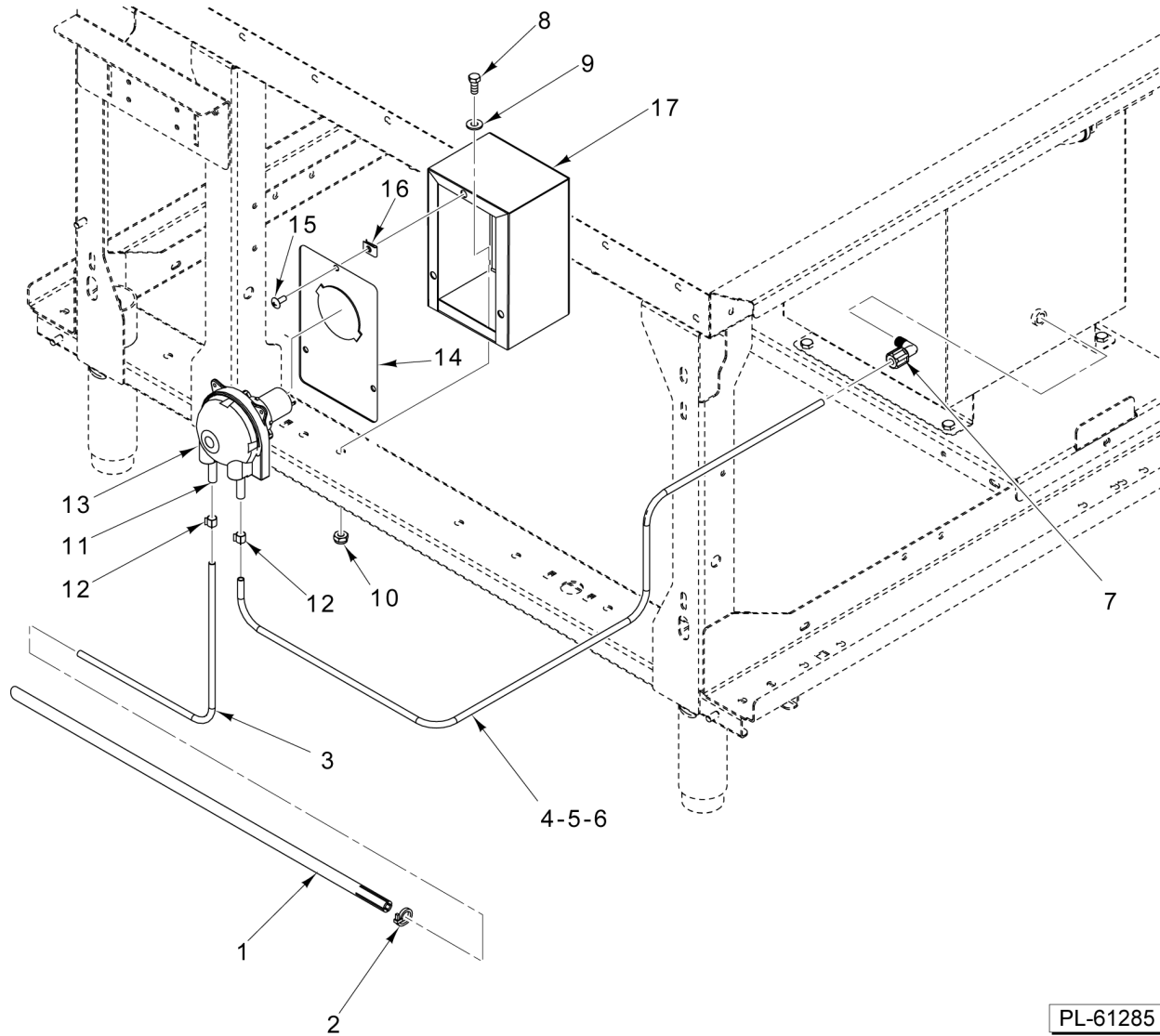
ILLUS.	PART NO.	NAME OF PART	AMT.
1	00-949663	Plate - Base (L-R).....	1
2	NS-031-21	Stop Nut 1/4-20 Hex (SST).....	2
3	SC-041-05	Cap Screw 1/4-20 x 5/8 Hex Hd. (SST).....	2
4	FP-091-62	Coupling - Reducing 1 to 1/2.....	2
5	FP-040-43	Pipe 1/2 x 1-1/4 TBE (Brass).....	9
6	00-893520	Ball Valve 1/2.....	2
7	00-270258	Strainer - Line (1/2) (Brass) (Incls. Items 8, 9, & 10).....	2
8	00-270259	Plug - Branch.....	2
9	00-270260	Screen - Strainer (1/2 In.).....	2
10	00-270261	Gasket.....	2
11	FP-015-17	Elbow - Pipe 1/2 x 90 Deg. (Brass).....	5
12	FP-022-12	Union - Pipe (Brass).....	2
13	FP-034-02	Cross - Pipe 1/2 x 1/2 x 1/2 x 1/2 (Brass).....	1
14	FP-019-21	Tee - Pipe 1/2 x 1/2 x 1/2 (Brass).....	1
15	00-893100-00001	Solenoid Valve (1/2) (120 V.) (Incls. Items 16 & 17).....	2
16	00-892132	Coil - Solenoid Valve (120 V.).....	2
17	00-893101	Service Kit - 1/2 Solenoid Valve.....	2
18	00-949664	Bracket - Plumbing (L-R).....	1
19	FP-040-69	Pipe 1/2 x 3-1/2 TBE (Brass).....	1
20	FP-091-75	Reducer 3/4 to 1/2.....	1
21	00-893100-00001	Solenoid Valve (1/2) (120 V.).....	1
22	FP-040-59	Pipe 1/2 x 2-3/4 Lg. TBE (Brass).....	1
23	FP-027-07	Bushing - Pipe 1/2 to 1/4 (Brass).....	1
24	FP-028-07	Pipe Plug 1/4 Sq. Hd. (Brass).....	1
25	FP-028-15	Pipe Plug 1/2 Sq. Hd. (Brass).....	1
26	00-949999	Box (Deltrol).....	1
27	00-950004	Cover - Box (Deltrol).....	1
28	SC-123-25	Cap Screw M4 X 0.7 X 12MM Hex Hd. (SST).....	1



**FILL PLUMBING
(BASE UNIT) (L-R)**

**FILL PLUMBING
(BASE UNIT) (L-R)**

ILLUS.	PART NO.	NAME OF PART	AMT.
PL-61284			
1	00-949663	Plate - Base (L-R).....	1
2	FP-027-07	Bushing - Pipe 1/2 to 1/4 (Brass).....	1
3	FP-028-07	Pipe Plug 1/4 Sq. Hd. (Brass).....	1
4	FP-091-62	Coupling - Reducing 1 to 1/2.....	1
5	FP-040-43	Pipe 1/2 x 1-1/4 TBE (Brass).....	6
6	00-893520	Ball Valve 1/2.....	1
7	00-270258	Strainer - Line (1/2) (Brass) (Incls. Items 8, 9, & 10).....	1
8	00-270259	Plug - Branch.....	1
9	00-270260	Screen - Strainer (1/2 In.).....	1
10	00-270261	Gasket.....	1
11	FP-015-17	Elbow - Pipe 1/2 x 90 Deg. (Brass).....	4
12	FP-022-12	Union - Pipe (Brass).....	1
13	FP-034-02	Cross - Pipe 1/2 x 1/2 x 1/2 x 1/2 (Brass).....	1
14	FP-019-21	Tee - Pipe 1/2 x 1/2 x 1/2 (Brass).....	1
15	00-893100-00001	Solenoid Valve (1/2) (120 V.) (Incls. Items 16 & 17).....	2
16	00-892132	Coil - Solenoid Valve (120 V.).....	2
17	00-893101	Service Kit - 1/2 Solenoid Valve.....	2
18	FP-040-73	Pipe 1/2 x 4 TBE (Brass).....	1
19	FP-040-59	Pipe 1/2 x 2-3/4 Lg. TBE (Brass).....	1
20	FP-091-75	Reducer 3/4 to 1/2.....	1
21	00-893100-00001	Solenoid Valve (1/2) (120 V.).....	1
22	00-949999	Box (Deltrol).....	1
23	00-950004	Cover - Box (Deltrol).....	1
24	SC-123-25	Cap Screw M4 X 0.7 X 12MM Hex Hd. (SST).....	1

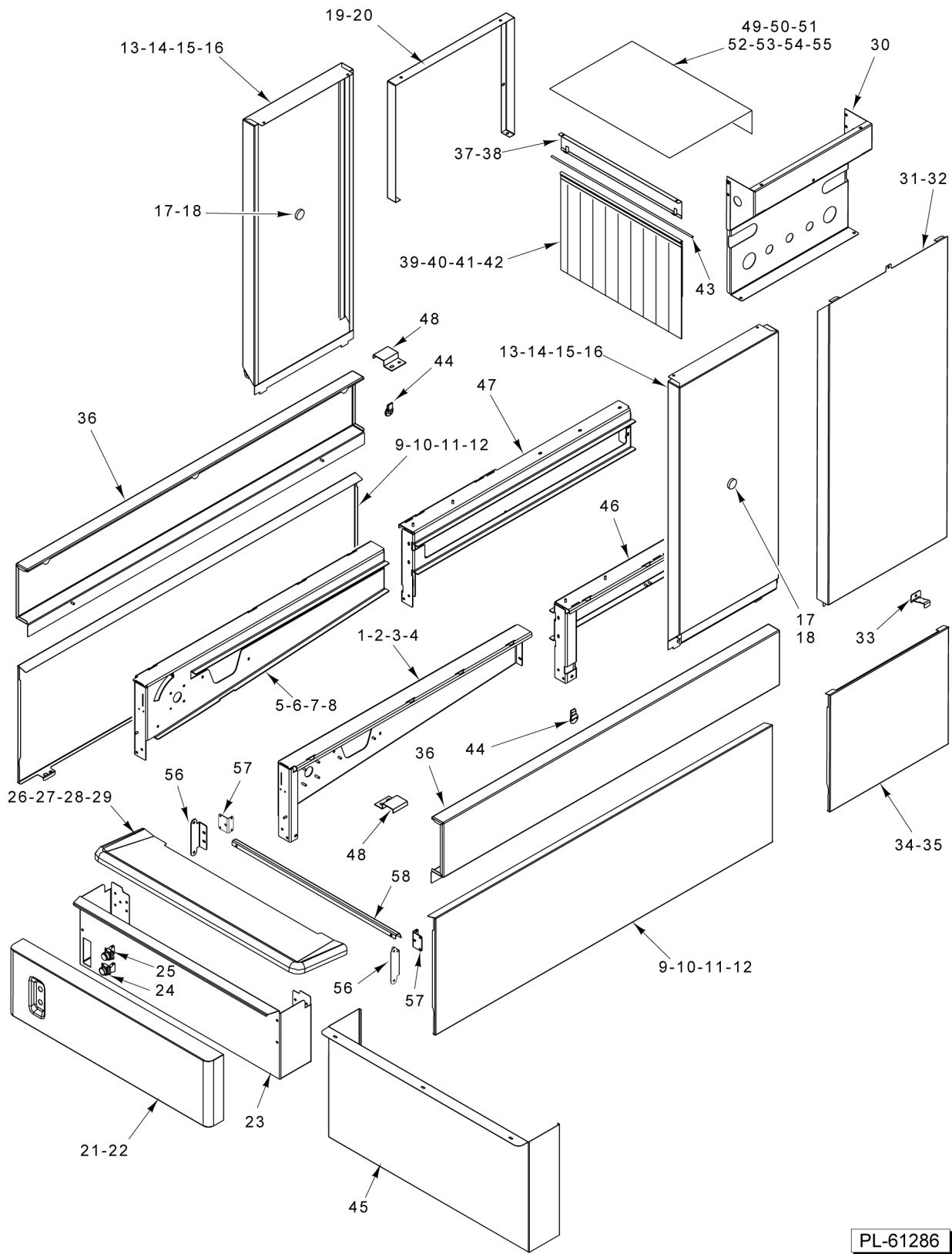


PL-61285

CHEMICAL PUMP (DELIME)

CHEMICAL PUMP (DELIME)

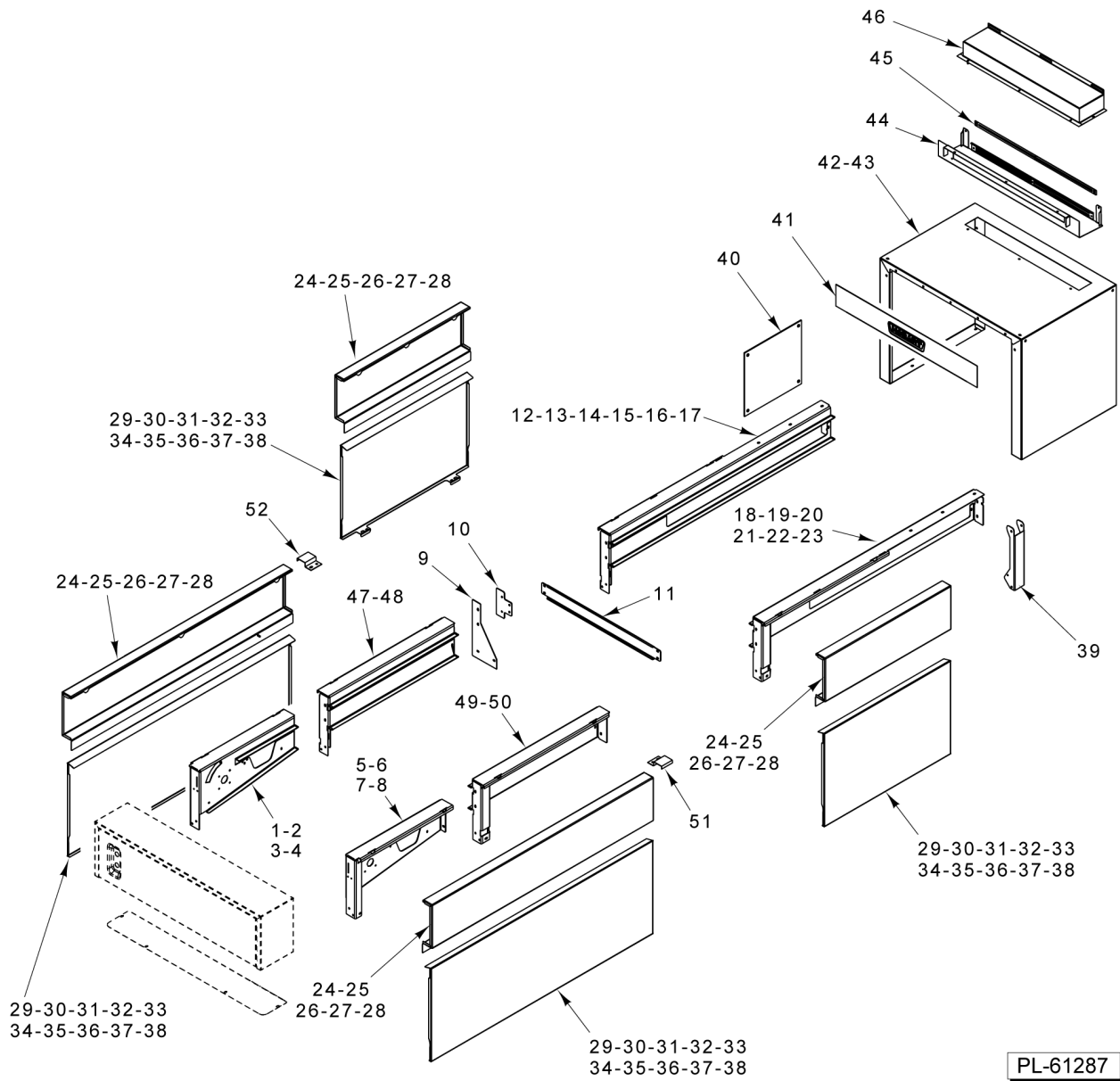
ILLUS.	PART NO.	NAME OF PART	AMT.
PL-61285			
1	00-185112	Stand Pipe 20-1/2 Lg.....	1
2	00-113703	Cable Tie.....	1
3	00-950188-00001	Tube (Inlet).....	1
4	00-950188-00001	Tube (5-1/2 Ft. Unload).....	1
5	00-950188-00002	Tube (7-1/2 Ft. Unload).....	1
6	00-950188-00003	Tube (9 Ft. & Longer Unload).....	1
7	FP-087-46	Fitting - Tube 1/4.....	1
8	SC-041-05	Cap Screw 1/4-20 x 5/8 Hex Hd. (SST).....	2
9	WS-017-06	Washer (SST).....	2
10	NS-036-19	Stop Nut 5/16-18 Hex Special (SST).....	2
11	00-949651-00002	Hose - P-Pump Kit (Includes Spring, Clamp, & Tube).....	1
12	00-113156-00001	Clamp - Spring Action Hose.....	2
13	00-948850	Pump - Chemical.....	1
14	00-950154	Plate - Delime Pump.....	1
15	SC-066-06	Mach. Screw 10-24 x 1/2 Phil. Truss Hd. (SST).....	3
16	00-074348	Speed Nut 10-24.....	3
17	00-950153	Box - Pump.....	1



**PANELS AND TRACKS
(UNLOAD-NON SPLIT)**

PANELS AND TRACKS (UNLOAD-NON SPLIT)

ILLUS. PL-61286	PART NO.	NAME OF PART	AMT.
1	00-974128-00001	Weldment - Track End, 4-1/2 & 5-1/2 Unloads (Front R-L / Rear L-R).....	1
2	00-974128-00003	Weldment - Track End, 7-1/2 Unloads (Front R-L / Rear L-R).....	1
3	00-974421-00001	Weldment - Track End, 4-1/2 & 5-1/2 Unloads (Front R-L / Rear L-R) (Security).....	1
4	00-974421-00003	Weldment - Track End, 7-1/2 Unloads (Front R-L / Rear L-R) (Security).....	1
5	00-974128-00002	Weldment - Track End, 4-1/2 & 5-1/2 Unloads (Front L-R / Rear R-L).....	1
6	00-975128-00004	Weldment - Track End, 7-1/2 Unloads (Front L-R / Rear R-L).....	1
7	00-974421-00002	Weldment - Track End, 4-1/2 & 5-1/2 Unloads (Front L-R / Rear R-L) (Security).....	1
8	00-974421-00004	Weldment - Track End, 7-1/2 Unloads (Front L-R / Rear R-L) (Security).....	1
9	00-948631-00005	Panel - Trim (Lower) (67 In.).....	2
10	00-948631-00007	Panel - Trim (Lower) (43 In.).....	2
11	00-950467-00005	Panel - Trim (Lower) (67 In.) (Security).....	2
12	00-950467-00007	Panel - Trim (Lower) (43 In.) (Security).....	2
13	00-950096-00001	Panel - Cover (Dryer) (Electric) (Standard Height) (Incls. Item 13).....	2
14	00-950096-00002	Panel - Cover (Dryer) (Electric) (6 In. Higher Than Standard) (Incls. Item 13).....	2
15	00-950096-00003	Panel - Cover (Dryer) (Steam) (Standard Height) (Incls. Item 14).....	2
16	00-950096-00004	Panel - Cover (Dryer) (Steam) (6 In. Higher Than Standard) (Incls. Item 14).....	2
17	00-749977-00003	Light - Pilot Base Assy, Red (Blower Dryer Over Temp Light)	1
18	PB-004-08	Plug Button Heyco 2703.....	2
19	00-948244-00001	Trim - Control Box Top (Standard Height).....	1
20	00-948244-00002	Trim - Control Box Top (6 In. Higher Than Standard).....	1
21	00-974898-00001	Panel - Start / Stop, Unload (L-R).....	1
22	00-974898-00002	Panel - Start / Stop, Unload (R-L).....	1
23	00-974960-00001	Support - Platform Unload.....	1
24	00-913102-00216	Kit - Push-button & Base (Green).....	1
25	00-749994	Switch Assy. - Push-button (Extended) (Red).....	1
26	00-974966	Unload Platform Assy.....	1
27	WS-017-06	Washer (SST).....	2
28	SC-041-05	Cap Screw 1/4-20 x 5/8 Hex Hd. (SST).....	2
29	NS-047-82	Stop Nut 1/4-20 Hex (SST).....	2
30	00-949698	Panel - Conduit.....	1
31	00-949700-00001	Panel - Cover (Rear) (Standard Height).....	1
32	00-949700-00002	Panel - Cover (Rear) (6 In. Higher Than Standard).....	1
33	00-949699	Hook - Panel.....	2
34	00-949702	Panel - Trim (Lower).....	1
35	00-950466	Panel - Trim (Lower) (Security).....	1
36	00-948011-00004	Panel - Cover.....	2
37	00-950057	Bracket - Curtain (Security).....	1
38	00-950065	Bracket - Curtain.....	1
39	00-948730	Curtain (Standard Height).....	1
40	00-948730-00002	Curtain (6 In. Higher Than Standard).....	1
41	00-950029	Curtain (3-Ply) (Security) (Security) (Standard Height).....	1
42	00-950029-00002	Curtain (3-Ply) (Security) (6 In. Higher Than Standard).....	1
43	00-120267-00004	Rod - Curtain (35-1/4 In.).....	1
44	00-948092	Retainer - Panel.....	6
45	00-974932-00001	Panel - End, Lower.....	1
46	00-948009-00002	Track Assy. - Extension (Front, R-L; Rear, L-R).....	1
47	00-948009-00006	Track Assy. - Extension (Front, L-R; Rear, R-L).....	1
48	00-950238	Bracket - Panel Cover.....	4
49	00-974242	Cover - Top (Standard Height) (ER).....	1
50	00-974242-00002	Cover - Top (Standard Height).....	1
51	00-949701	Cover - Top (Advansys).....	1
52	00-974864-00001	Cover - Top (6 In. Higher Than Standard, L-R) (ER).....	1
53	00-974864-00002	Cover - Top (6 In. Higher Than Standard, R-L) (ER).....	1
54	00-974864-00003	Cover - Top (6 In. Higher Than Standard, L-R).....	1
55	00-974864-00004	Cover - Top (6 In. Higher Than Standard, R-L).....	1
56	00-974968-00001	Bracket - Pivot, Unload Platform.....	2
57	00-975333	Bracket - Unload.....	1
58	00-975370	Bracket - Unload Support.....	2



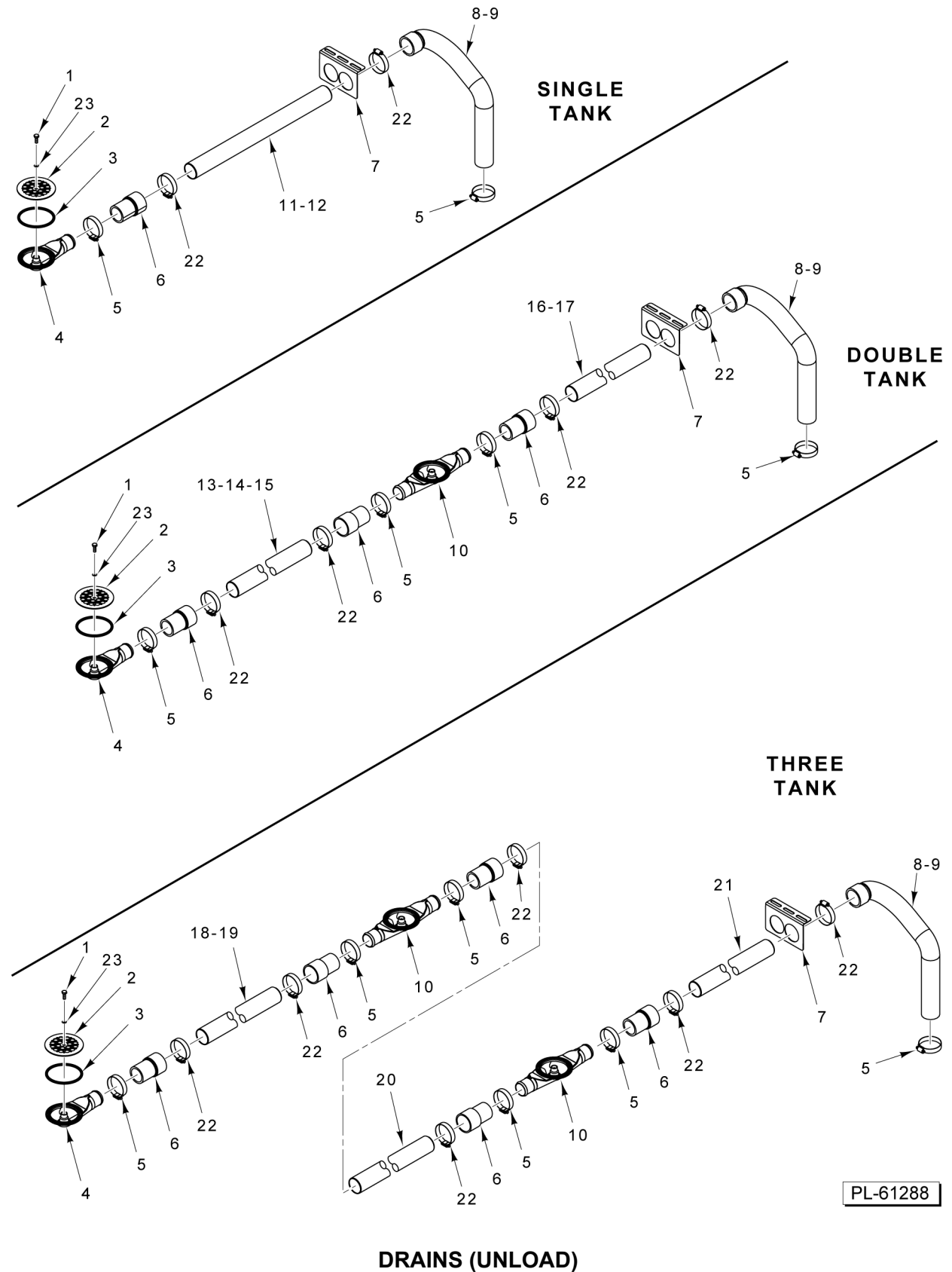
PL-61287

PANELS AND TRACKS (UNLOAD-SPLIT)

PANELS AND TRACKS (UNLOAD-SPLIT)

ILLUS. PL-61287	PART NO.	NAME OF PART	AMT.
1	00-948007-00002	Track Assy. (24 In.) (Front, L-R; Rear, R-L).....	1
2	00-950476-00002	Track Weldment (24 In.) (Front, L-R; Rear, R-L) (Security).....	1
3	00-948007-00006	Track Assy. (47 In.) (Front, L-R; Rear, R-L).....	1
4	00-950476-00006	Track Weldment - Drive Unload (47 In.) (Front, L-R; Rear, R-L) (Security).....	1
5	00-948007-00001	Track Assy. (24 In.) (Front, R-L; Rear, L-R).....	1
6	00-950476-00001	Track Weldment - Drive Unload (24 In.) (Front, R-L; Rear, L-R) (Security).....	1
7	00-948007-00005	Track Assy. (47 In.) (Front, R-L; Rear, L-R).....	1
8	00-950476-00005	Track Weldment - Drive Unload (47 In.) (Front, R-L; Rear, L-R) (Security).....	1
9	00-949465	Bracket - Split.....	2
10	00-949380	Bracket - Track Brace.....	4
11	00-949381	Brace - Track.....	2
12	00-948009-00006	Track Assy. - Extension (43 In.) (Front, L-R; Rear, R-L).....	1
*13	00-948009-00016	Track Assy. - Extension (43 In.) (Front, L-R; Rear, R-L).....	1
14	00-948009-00022	Track Assy. - Extension (55 In.) (Front, L-R; Rear, R-L).....	1
15	00-948009-00023	Track Assy. - Extension (67 In.) (Front, L-R; Rear, R-L).....	1
*16	00-948009-00024	Track Assy. - Extension (55 In.) (Front, L-R; Rear, R-L).....	1
*17	00-948009-00025	Track Assy. - Extension (67 In.) (Front, L-R; Rear, R-L).....	1
18	00-948009-00002	Track Assy. - Extension (43 In.) (Front, R-L; Rear, L-R).....	1
*19	00-948009-00011	Track Assy. - Extension (43 In.) (Front, R-L; Rear, L-R).....	1
20	00-948009-00007	Track Assy. - Extension (55 In.) (Front, R-L; Rear, L-R).....	1
21	00-948009-00008	Track Assy. - Extension (67 In.) (Front, R-L; Rear, L-R).....	1
*22	00-948009-00009	Track Assy. - Extension (55 In.) (Front, R-L; Rear, L-R).....	1
*23	00-948009-00010	Track Assy. - Extension (67 In.) (Front, R-L; Rear, L-R).....	1
24	00-948011-00001	Panel - Cover (Upper) (31 In.).....	2
25	00-948011-00002	Panel - Cover (Upper) (43 In.).....	2
26	00-948011-00003	Panel - Cover (Upper) (55 In.).....	2
27	00-948011-00004	Panel - Cover (Upper) (67 In.).....	2
28	00-948011-00008	Panel - Cover (Upper) (47 In.).....	2
29	00-948631-00002	Panel - Trim (Lower) (55 in.).....	2
30	00-950467-00002	Panel - Trim (Lower) (55 In.) (Security).....	2
31	00-948631-00005	Panel - Trim (Lower) (67 In.).....	2
32	00-950467-00005	Panel - Trim (Lower) (67 In.) (Security).....	2
33	00-948631-00007	Panel - Trim (Lower) (43 In.).....	2
34	00-950467-00007	Panel - Trim (Lower) (43 In.) (Security).....	2
35	00-948631-00008	Panel - Trim (Lower) (31 In.).....	2
36	00-950467-00008	Panel - Trim (Lower) (31 In.) (Security).....	2
37	00-948631-00021	Panel - Trim (Lower) (45 In.).....	2
38	00-950467-00021	Panel - Trim (Lower) (45 In.) (Security).....	2
39	00-948330	Post.....	2
40	00-949863	Plate - Cover.....	2
41	00-949697	Cover.....	1
*42	00-948596-00009	Chamber (Standard).....	1
*43	00-948596-00010	Chamber (6 in. Higher Than Standard).....	1
*44	00-948257-00002	Baffle - Air Dryer.....	1
*45	00-948259-00002	Plate - Damper (Slotted).....	1
*46	00-948255	Cover - Air Channel.....	1
47	00-949431-00008	Track - Extension (31 In.) (Split) (Front, L-R; Rear, R-L).....	1
48	00-949431-00010	Track - Extension (43 In.) (Split) (Front, L-R; Rear, R-L).....	1
49	00-949431-00007	Track - Extension (31 In.) (Split) (Front, R-L; Rear, L-R).....	1
50	00-949431-00009	Track - Extension (43 In.) (Split) (Front, R-L; Rear, L-R).....	1
51	00-950238	Bracket - Panel Cover.....	AR

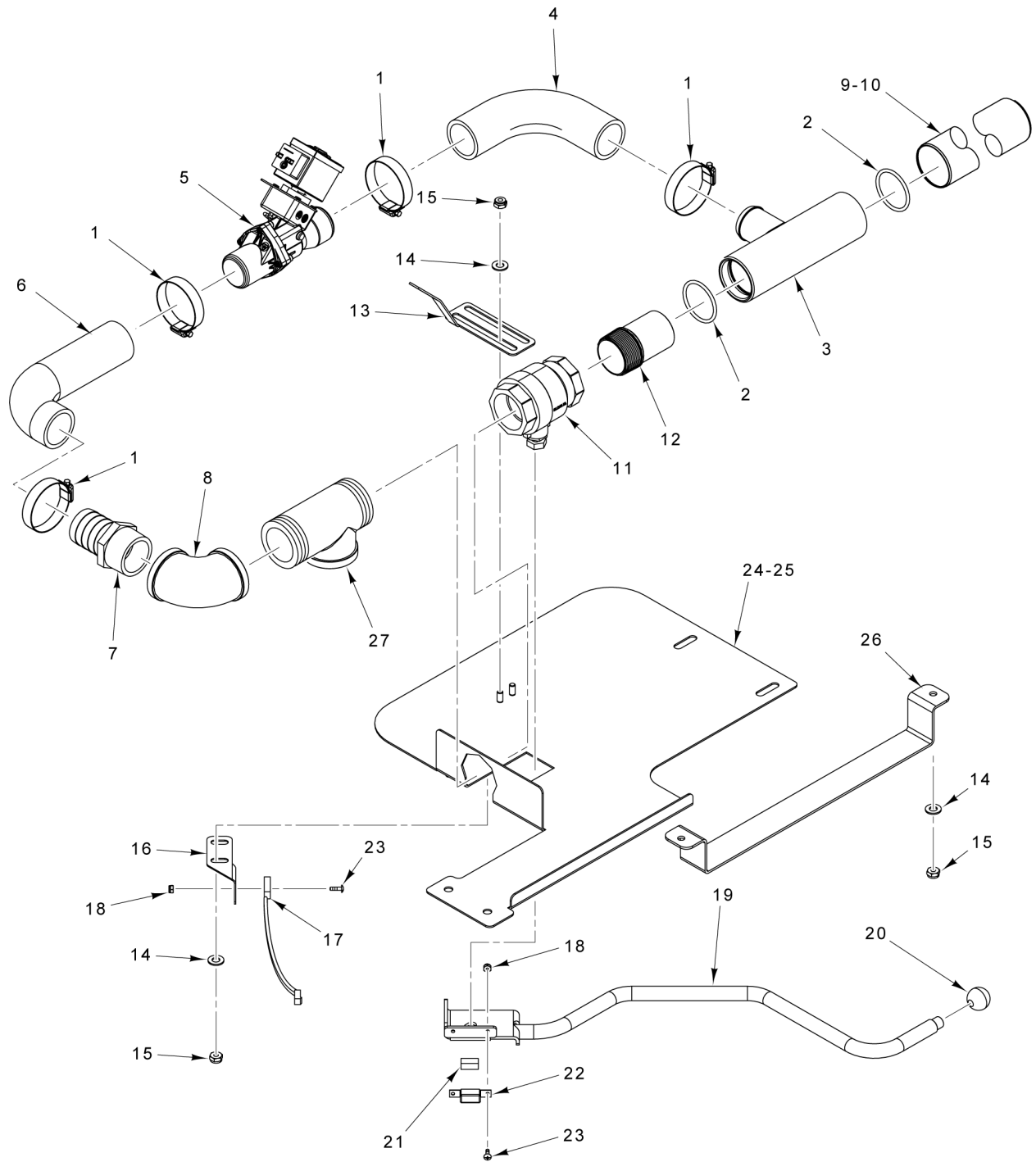
* (Without Blower Dryer)



PL-61288

DRAINS (UNLOAD)

ILLUS.	PART NO.	NAME OF PART	AMT.
PL-61288			
1	SC-041-50	Cap Screw 1/4-20 x 1/2 Hex Hd. (SST).....	AR
2	00-947920-00001	Plate - Strainer (Round).....	AR
3	00-749370	Gasket - Seal 0.093 x 3.00.....	AR
4	00-948146	Drain Body.....	AR
5	00-538412	Clamp - Hose.....	AR
6	00-949668	Hose - Adapter 1-1/2 to 1-3/4.....	AR
7	00-950392	Bracket - Drain Support.....	AR
8	00-949968-00001	Hose - Drain (L-R).....	AR
9	00-949968-00002	Hose - Drain (R-L).....	AR
10	00-949332	Drain Body (Center).....	AR
11	00-948761-00016	Pipe - Drain (27.75 In.) (5-1/2 Ft. Unload).....	AR
12	00-948761-00011	Pipe - Drain (39.50 In.) (7-1/2 Ft. Unload).....	AR
13	00-948761-00013	Pipe - Drain (43.50 In.) (9 Ft. Unload).....	AR
14	00-948761-00017	Pipe - Drain (55.375 In.) (11 Ft. Unload).....	AR
15	00-948761-00015	Pipe - Drain (67.25 In.) (13 Ft. Unload).....	AR
16	00-948761-00014	Pipe - Drain (21.875 In.) (9 Ft. Unload).....	AR
17	00-948761-00016	Pipe - Drain (27.75 In.) (11 & 13 Ft. Unload).....	AR
18	00-948761-00020	Pipe - Drain (49.50 In.) (15 Ft. Unload).....	AR
19	00-948761-00012	Pipe - Drain (61.375 In.) (17 Ft. Unload).....	AR
20	00-948761-00013	Pipe - Drain (43.50 In.) (15 & 17 Ft. Unload).....	AR
21	00-948761-00014	Pipe - Drain (21.875 In.) (15 & 17 Ft. Unload).....	AR
22	00-534651	Clamp - Hose (#32 Worm Drive).....	AR
23	WL-006-17	Lockwasher 1/4 Helical (SST).....	AR



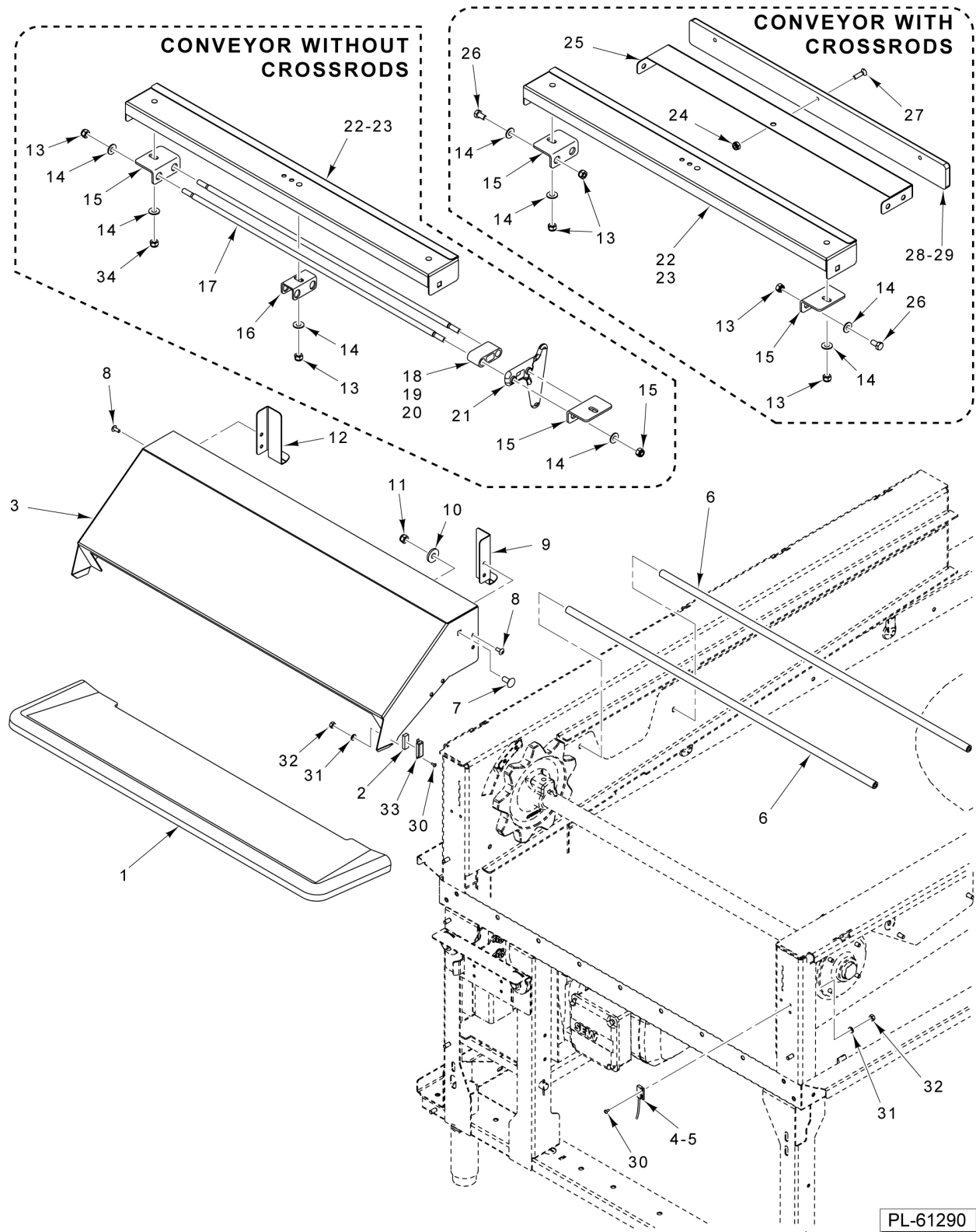
28 OF-038481 Label (Master Drain)
PART NOT ILLUSTRATED

PL-61289

**DRAIN ASSEMBLY
 (AUTOMATIC) (UNLOAD)**

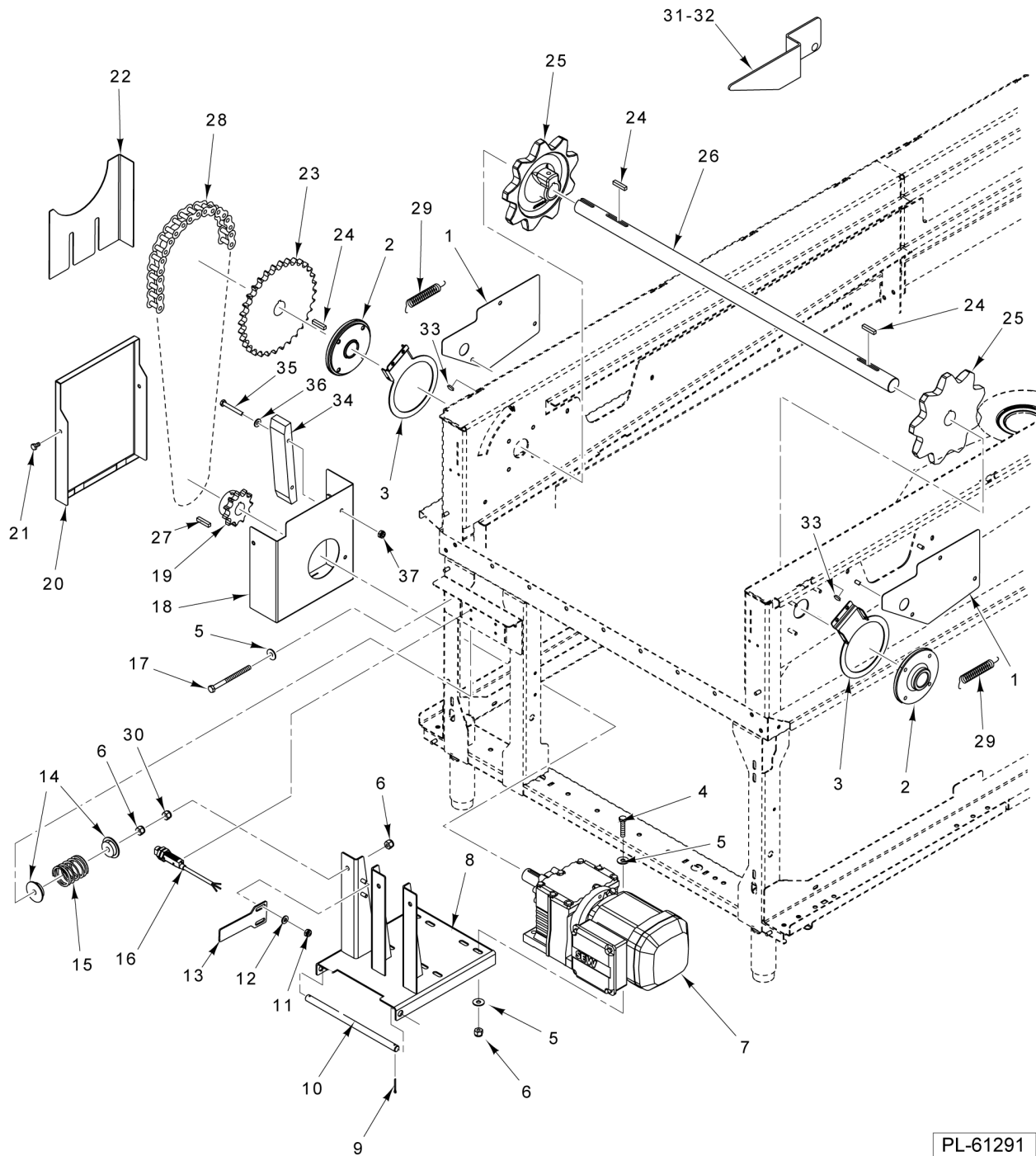
**DRAIN ASSEMBLY
(AUTOMATIC) (UNLOAD)**

ILLUS.	PART NO.	NAME OF PART	AMT.
1	00-538412	Clamp - Hose.....	4
2	00-067500-00019	O-Ring.....	2
3	00-970906	Tee - Drain.....	1
4	00-949133	Hose - Drain (Elbow).....	1
5	00-948635	Valve - Drain (Automatic).....	1
6	00-949916	Hose - Elbow.....	1
7	FP-091-66	Fitting - Hose Barb.....	1
8	FP-015-32	Elbow - Pipe 1-1/2 x 90 Deg. (Brass).....	1
9	00-948761-00018	Pipe - Drain (6 In. Lg.) (R-L Only).....	2
10	00-974369	Tee (L-R Only).....	1
11	00-949070	Valve Assy.....	1
12	00-949948	Pipe 1-1/2 x 3.....	1
13	00-949866	Bracket - Drain (Automatic).....	1
14	WS-005-32	Washer (SST).....	6
15	NS-031-21	Stop Nut 1/4-20 Hex (SST).....	6
16	00-949161	Bracket - Drain Switch.....	1
17	00-473109-005-1	Switch - Interlock.....	1
18	NS-031-50	Stop Nut 6-32 Hex (SST).....	4
19	00-949919	Handle - Drain (Automatic).....	1
20	00-949423	Knob.....	1
21	00-111941	Magnet.....	1
22	00-893111	Magnet - Mount.....	1
23	SC-066-03	Mach. Screw 6-32 x 1/2 Phil. Truss Hd. (SST).....	4
24	00-949912	Bracket - Drain (R-L).....	1
25	00-949912-00002	Bracket - Drain (L-R).....	1
26	00-949920	Bracket - Support.....	1
27	00-974370	Tee 1-1/2 x 2 x 1-1/2 (Male-Female-Male).....	1
28	0F-038481	Label (Master Drain).....	1



DISH LIMIT

ILLUS. PL-61290	PART NO.	NAME OF PART	AMT.
1	00-975359	Platform Assy. - Unload.....	1
2	00-111941	Magnet.....	1
3	00-949945	Hood - Dish Limit.....	1
4	00-473109-005-1	Switch - Interlock (50 In.) (Dish Limit) (R-L Machines).....	1
5	00-473109-005-2	Switch - Interlock (76 In.) (Dish Limit) (L-R Machines).....	1
6	00-948019-00011	Rod - Cross.....	2
7	SC-124-44	Bolt - Sq. Neck 5/16-18 x 3/4 Rd. Hd.....	2
8	SC-066-06	Mach. Screw 10-24 x 1/2 Phil. Truss Hd. (SST).....	4
9	00-949939-00001	Bracket.....	1
10	WS-018-40	Washer (SST).....	2
11	NS-036-19	Stop Nut 5/16-18 Hex Special (SST).....	2
12	00-949939-00002	Bracket.....	1
13	NS-036-19	Stop Nut 5/16-18 Hex Special (SST).....	AR
14	WS-029-05	Washer 0.328 x 0.750 x 0.062 (SST).....	AR
15	00-949930	Mount - Finger Bracket.....	2
16	00-892518	Bracket - Mount (Center).....	1
17	00-892516	Rod - Finger Mounting.....	2
18	00-892514-00003	Spacer - Stacking (Type A Conveyor, Long).....	4
19	00-892514-00002	Spacer - Stacking (Type A Conveyor, Short).....	10
20	00-892514-00005	Spacer - Stacking (Standard Conveyor).....	15
21	00-950615	Finger - Trip Arm Stacking.....	AR
22	00-949929-00001	Mount - Finger Trip (Type A Conveyor).....	1
23	00-949929-00002	Mount - Finger Trip (Standard Conveyor).....	1
24	NS-031-21	Stop Nut 1/4-20 Hex (SST).....	3
25	00-892524	Mount - Pad (Trip Arm).....	1
26	SC-041-40	Cap Screw 7/16-14 x 1-1/2 Hex Hd. (SST).....	4
27	SC-022-35	Mach. Screw 1/4-20 x 1 Slotted Flat Hd. (SST).....	3
28	00-892525-00002	Pad (Standard Conveyor).....	1
29	00-892525-00001	Pad (Type A Conveyor).....	1
30	SC-066-03	Mach. Screw 6-32 x 1/2 Phil. Truss Hd. (SST).....	4
31	WS-023-01	Washer (SST).....	4
32	NS-031-50	Stop Nut 6-32 Hex (SST).....	4
33	00-893111	Magnet - Mount.....	1
34	NS-015-11	Nut 5/16-18 Hex (SST).....	1

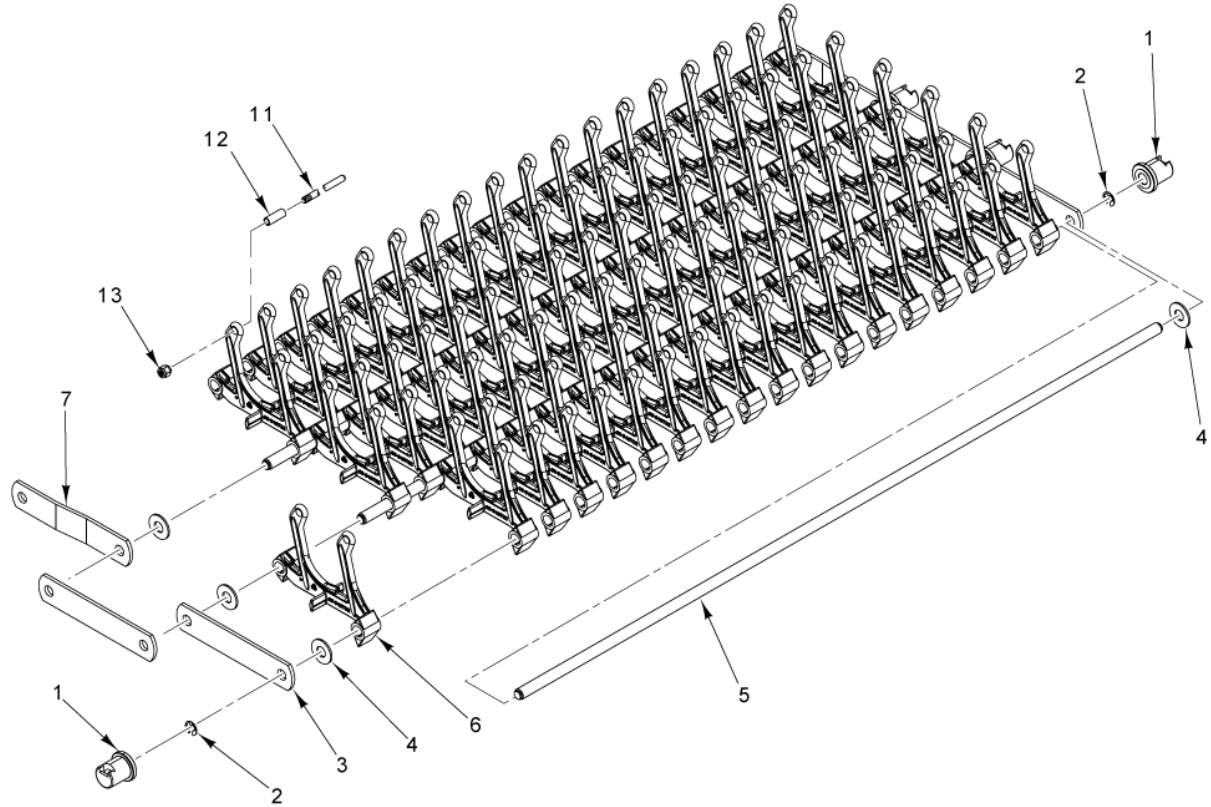


PL-61291

CONVEYOR TAKE-UP

CONVEYOR TAKE-UP

ILLUS.	PART NO.	NAME OF PART	AMT.
PL-61291			
1	00-949746	Cover.....	2
2	00-947988-00001	Bearing.....	2
3	00-974126	Bracket - Pivot.....	2
4	SC-041-17	Cap Screw 5/16-18 x 1-1/2 Hex Hd. (SST).....	4
5	WS-017-01	Washer 0.328 x 0.875 x 0.062 (SST).....	AR
6	NS-036-19	Stop Nut 5/16-18 Hex Special (SST).....	12
7	00-947987	Motor - Drive.....	1
8	00-948231-00001	Platform - Motor.....	1
9	PC-005-09	Cotter Pin 3/32.....	2
10	00-948097	Rod - Pivot.....	1
11	NS-031-21	Stop Nut 1/4-20 Hex (SST).....	2
12	WS-017-06	Washer (SST).....	2
13	00-562122	Plate - Actuator.....	1
14	00-562114	Bushing - Anti-Jam.....	4
15	00-562115	Spring.....	2
16	00-562130	Sensor - Proximity.....	1
17	00-974573	Bolt - Conveyor Drive.....	2
18	00-948235	Cover - Chain (Rear).....	1
19	00-949350	Sprocket - Drive Motor.....	1
20	00-948236-00001	Cover - Chain (Front).....	1
21	SC-041-50	Cap Screw 1/4-20 x 1/2 Hex Hd. (SST).....	2
22	00-948237-00001	Cover - Chain (Middle).....	1
23	00-949124	Sprocket (32T).....	1
24	00-012430-00204	Key 1/4 x 1/4 x 1-3/4.....	3
25	00-475502-00002	Sprocket - Conveyor (9 Tooth).....	2
26	00-949097	Shaft - Conveyor.....	1
27	00-012430-00148	Key.....	1
28	00-062804-00009	Chain.....	1
29	00-974114	Spring.....	2
30	NS-015-11	Nut 5/16-18 Hex (SST).....	3
31	00-974107-00001	Guide - Conveyor (Left).....	1
32	00-974107-00002	Guide - Conveyor (Right).....	1
33	00-974099	Grommet (Rubber).....	2
34	00-562121	Guide - Chain.....	1
35	SC-041-08	Cap Screw 1/4-20 x 2 Hex Hd. (SST).....	2
36	WS-017-06	Washer (SST).....	2
37	WS-047-82	Stop Nut 1/4-20.....	2



	SERVICE KITS SN 27-1195-471 & After	ITEM No. (Individual Parts)		
		1, 2, 3, & 4	5	6
		AMT.		
8	00-950543-00028	10	5	90
9	00-950543-00029	26	13	234
10	00-950543-00030	52	26	468

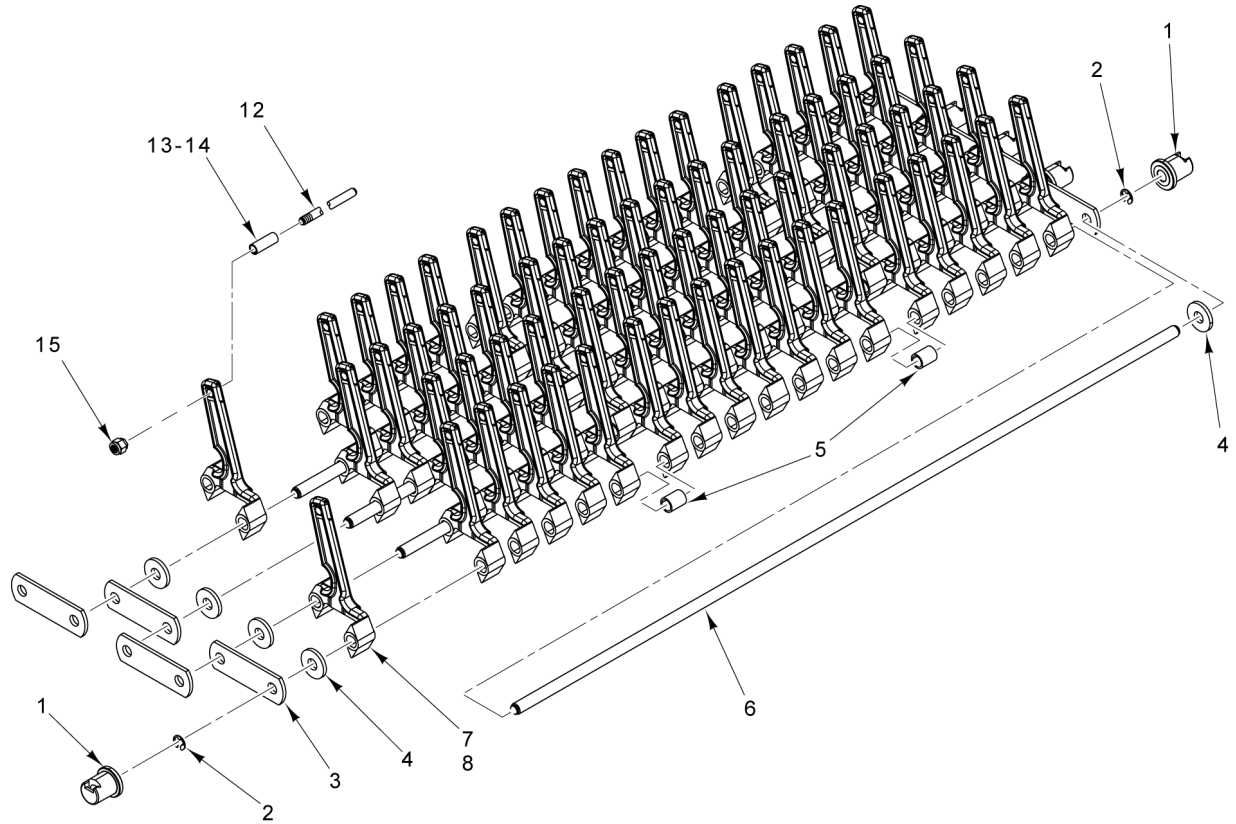
PL-61292

CONVEYOR (STANDARD)

CONVEYOR (STANDARD)

ILLUS.	PART NO.	NAME OF PART	AMT.
PL-61292			
1	00-949795	Roller - Conveyor.....	AR
2	RR-006-23	Retaining Ring.....	AR
3	00-475510	Bar - Side.....	AR
4	WS-006-44	Washer (SST).....	AR
5	00-949789-00001	Rod - Conveyor.....	AR
6	00-950544	Link - Flight.....	AR
*7	00-475511	Bar - Side (Offset).....	AR
8	00-950543-00028	Kit - Conveyor (5 Rods).....	AR
9	00-950543-00029	Kit - Conveyor (13 Rods).....	AR
10	00-950543-00030	Kit - Conveyor (26 Rods).....	AR
11	00-748067-00003	Rod - Conveyor (Cross Rod).....	AR
12	00-083367-00005	Spacer - Conveyor (1-1/4 In.).....	AR
13	NS-031-21	Stop Nut 1/4-20 Hex (SST).....	AR

* (Used when total number of conveyor rods are an odd number.)



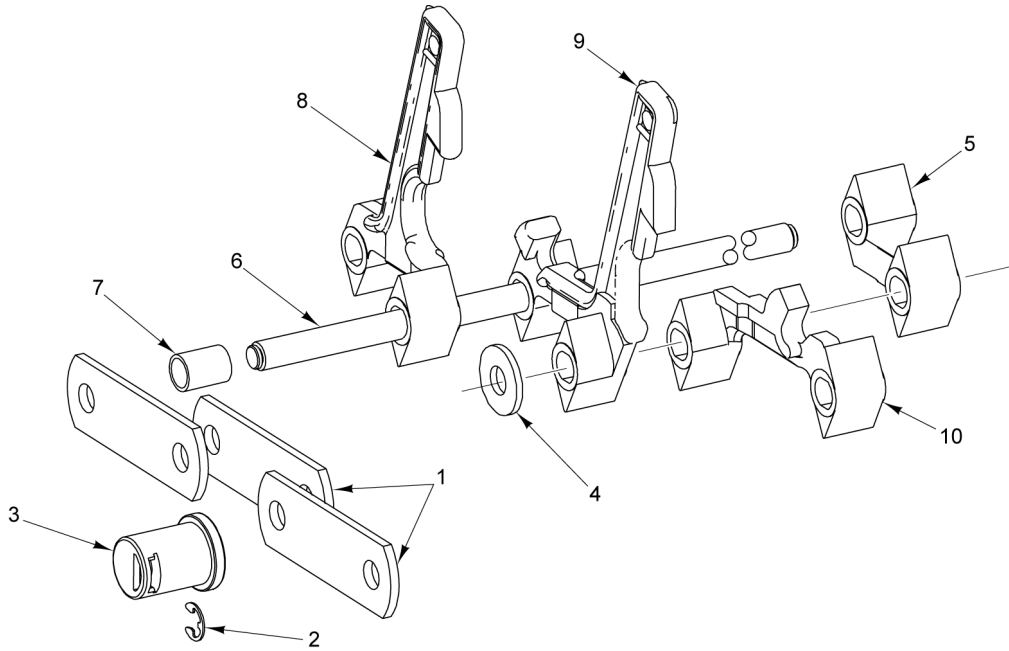
	SERVICE KITS	ITEM No. (Individual Parts)		
		1, 2, 3, 4, & 5	6	7 & 8
		AMT.		
9	00-949837-00028	28	14	238
10	00-949837-00029	48	24	408
11	00-949837-00030	104	52	884

PL-61293

**CONVEYOR
(TYPE A)**

**CONVEYOR
(TYPE A)**

ILLUS.	PART NO.	NAME OF PART	AMT.
PL-61293			
1	00-949795	Roller - Conveyor.....	AR
2	RR-006-23	Retaining Ring.....	AR
3	00-289374	Bar - Side Conveyor.....	AR
4	WS-006-44	Washer (SST).....	AR
5	00-158677	Spacer - Conveyor.....	AR
6	00-949789-00001	Rod - Conveyor.....	AR
7	00-081808	Link - Flight.....	AR
8	00-291842-00005	Link - Flight (Snap-On).....	AR
9	00-949837-00028	Kit - Conveyor (14 Rods).....	AR
10	00-949837-00029	Kit - Conveyor (24 Rods).....	AR
11	00-949837-00030	Kit - Conveyor (52 Rods).....	AR
12	00-748067-00003	Rod - Conveyor (Cross Rod).....	AR
13	00-083367	Spacer - Conveyor (1-1/8 In.).....	AR
14	00-083367-00002	Spacer - Conveyor (1-3/4 In.).....	AR
15	NS-031-21	Stop Nut 1/4-20 Hex (SST).....	AR



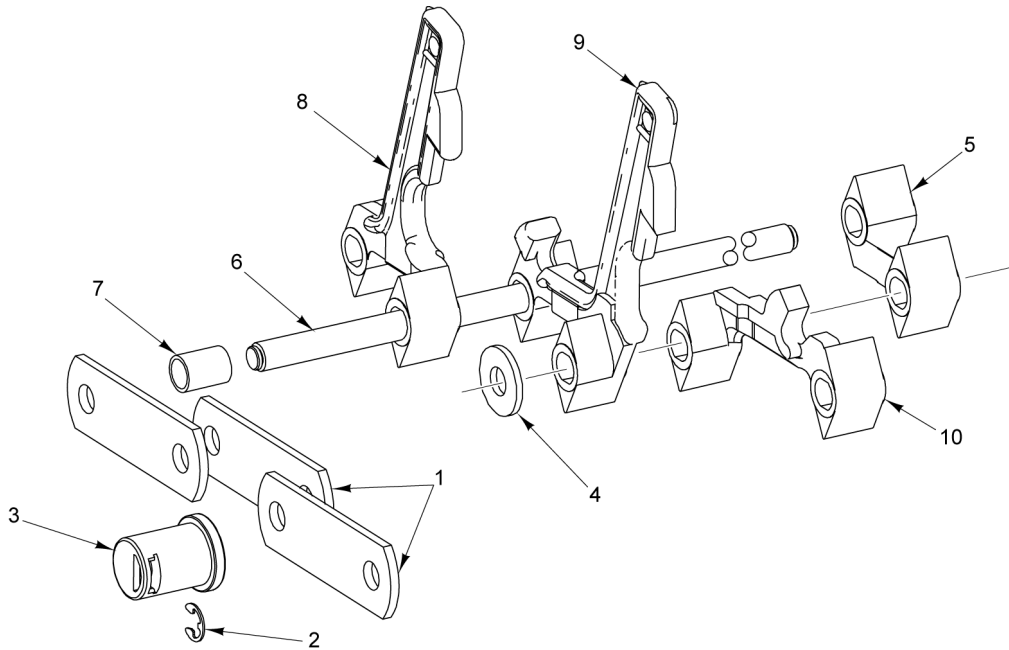
	SERVICE KITS	ITEM No. (Individual Parts)						
		1, 2, 3, & 4	5	6	7	8	9	10
		AMT.						
11	00-950481-00028	28	40	14	37	65	65	64
12	00-950481-00029	48	64	24	64	104	104	128
13	00-950481-00030	104	140	52	138	234	221	272

PL-61294

**CONVEYOR
(INSULATED TRAYS)
(POSITION 1)**

**CONVEYOR
(INSULATED TRAYS)
(POSITION 1)**

ILLUS. PL-61294	PART NO.	NAME OF PART	AMT.
1	00-289374	Bar - Side Conveyor.....	AR
2	RR-006-23	Retaining Ring.....	AR
3	00-949795	Roller - Conveyor.....	AR
4	WS-006-44	Washer (SST).....	AR
5	00-291839-00001	Link - Flight (Spacer).....	AR
6	00-949789-00001	Rod - Conveyor.....	AR
7	00-158677	Spacer - Conveyor.....	AR
8	00-291842-00001	Link - Flight (Tray) (Position 1).....	AR
9	00-291841-00001	Link - Flight (Tray) (Position 1).....	AR
10	00-291840-00001	Link - Flight (Short).....	AR
11	00-950481-00028	Kit - Conveyor (14 Rods).....	AR
12	00-950481-00029	Kit - Conveyor (24 Rods).....	AR
13	00-950481-00030	Kit - Conveyor (52 Rods).....	AR



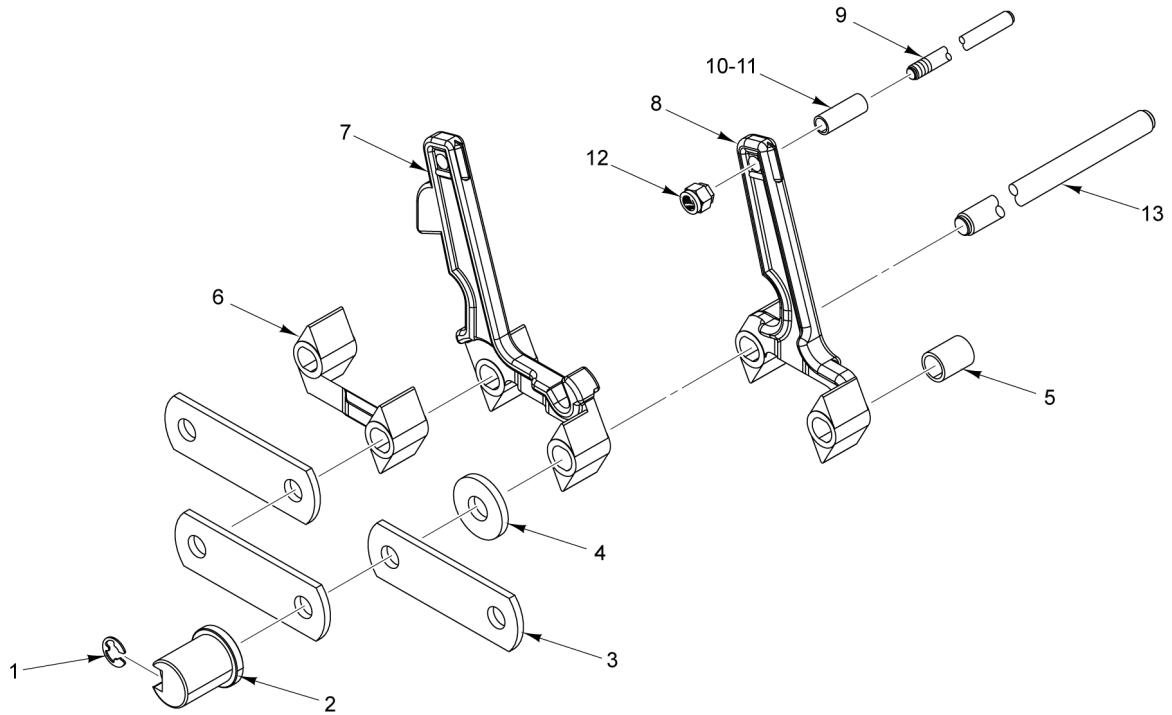
	SERVICE KITS	ITEM No. (Individual Parts)						
		1, 2, 3, & 4	5	6	7	8	9	10
		AMT.						
11	00-950481-00058	28	40	14	37	65	65	64
12	00-950481-00059	48	64	24	64	104	104	128
13	00-950481-00060	104	140	52	138	234	221	272

PL-61295

**CONVEYOR
(INSULATED TRAYS)
(POSITION 2)**

**CONVEYOR
(INSULATED TRAYS)
(POSITION 2)**

ILLUS.	PART NO.	NAME OF PART	AMT.
PL-61295			
1	00-289374	Bar - Side Conveyor.....	AR
2	RR-006-23	Retaining Ring.....	AR
3	00-949795	Roller - Conveyor.....	AR
4	WS-006-44	Washer (SST).....	AR
5	00-291839-00001	Link - Flight (Spacer).....	AR
6	00-949789-00001	Rod - Conveyor.....	AR
7	00-158677	Spacer - Conveyor.....	AR
8	00-291842-00002	Link - Flight (Tray) (Position 2).....	AR
9	00-291841-00002	Link - Flight (Tray) (Position 2).....	AR
10	00-291840-00001	Link - Flight (Short).....	AR
11	00-950481-00058	Kit - Conveyor (14 Rods).....	AR
12	00-950481-00059	Kit - Conveyor (24 Rods).....	AR
13	00-950481-00060	Kit - Conveyor (52 Rods).....	AR



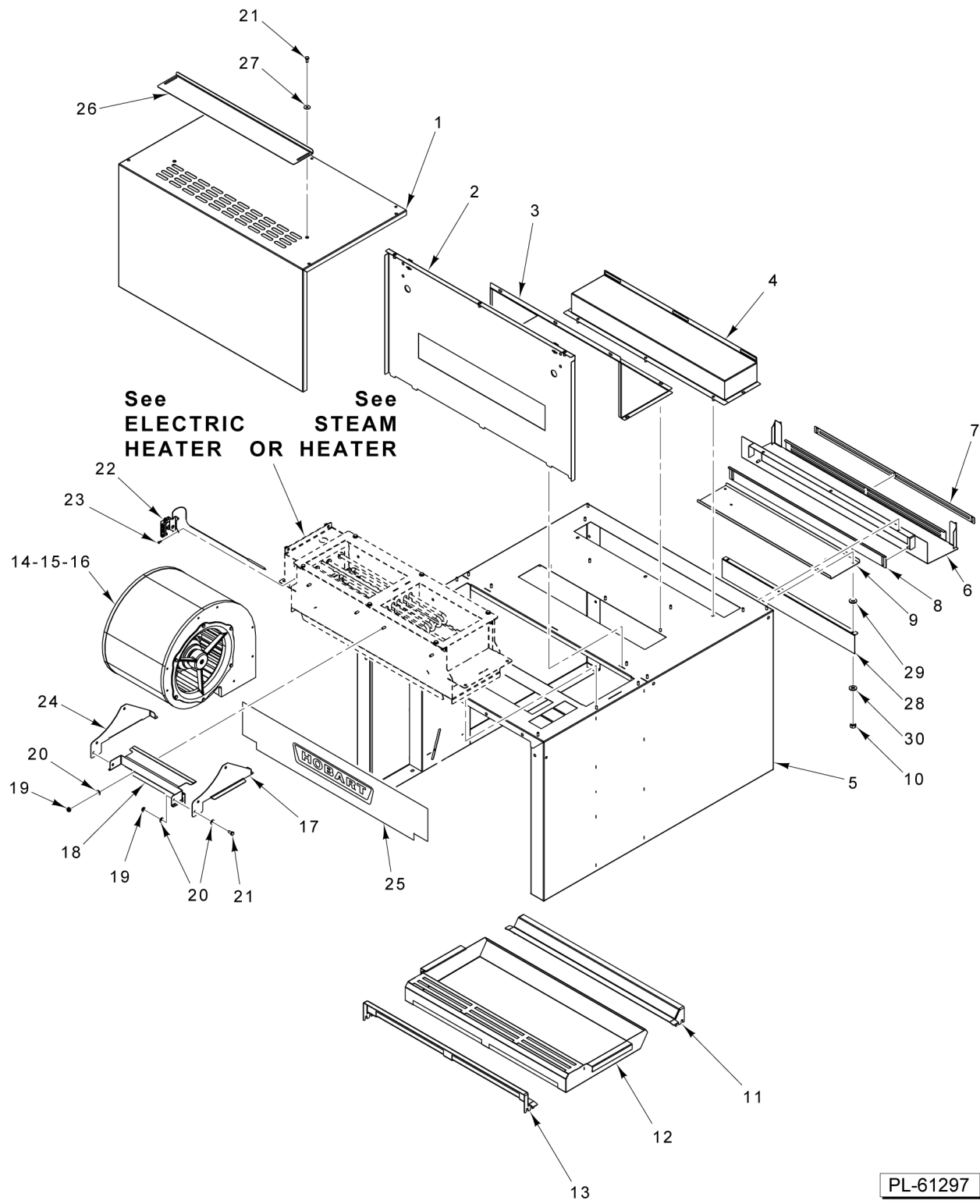
SERVICE KITS	ITEM No. (Individual Parts)					
	1, 2, 3, 4, & 5	6, 7, & 8	9	10	11 & 12	13
	AMT.					
14 00-950412-00028	28	85	4	48	8	14
15 00-950412-00029	48	136	8	96	16	24
16 00-950412-00030	104	306	16	204	34	52

PL-61296

CONVEYOR (TIVOLI)

CONVEYOR (TIVOLI)

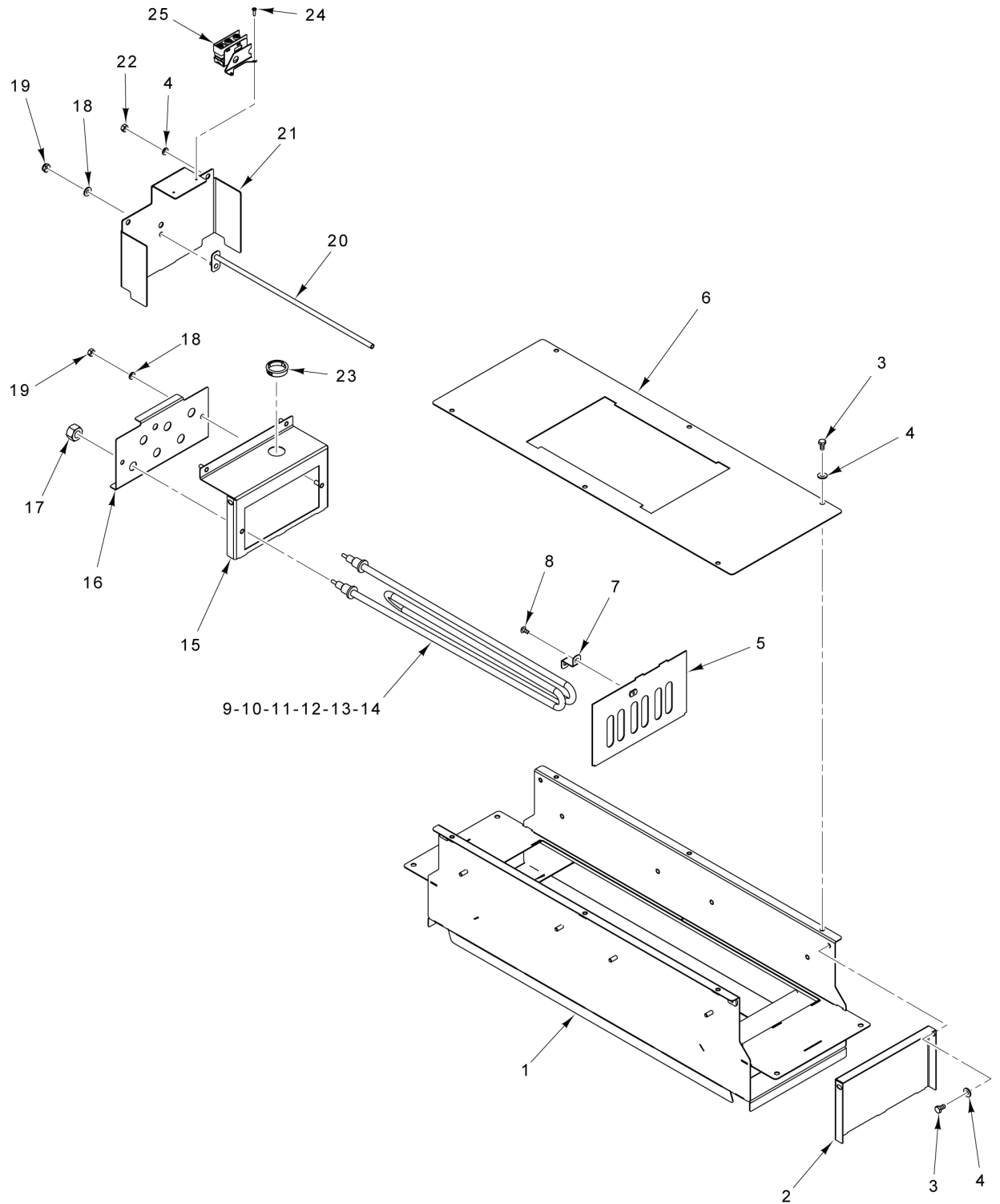
ILLUS.	PART NO.	NAME OF PART	AMT.
PL-61296			
1	RR-006-23	Retaining Ring.....	AR
2	00-949795	Roller - Conveyor.....	AR
3	00-289374	Bar - Side Conveyor.....	AR
4	WS-006-44	Washer (SST).....	AR
5	00-158677	Spacer - Conveyor.....	AR
6	00-291839-00001	Link - Flight (Spacer).....	AR
7	00-291841-00002	Link - Flight (Tray) (Position 2).....	AR
8	00-081808	Link - Flight.....	AR
9	00-748067-00001	Rod - Conveyor (Cross Rod, 23-3/8).....	AR
10	00-083367	Spacer - Conveyor (1-1/8 In.).....	AR
11	00-083367-00002	Spacer - Conveyor (1-3/4 In.).....	AR
12	NS-031-21	Stop Nut 1/4-20 Hex (SST).....	AR
13	00-949789-00001	Rod - Conveyor.....	AR
14	00-950412-00028	Kit - Conveyor (14 Rods).....	AR
15	00-950412-00029	Kit - Conveyor (24 Rods).....	AR
16	00-950412-00030	Kit - Conveyor (52 Rods).....	AR



BLOWER DRYER

BLOWER DRYER

ILLUS.	PART NO.	NAME OF PART	AMT.
PL-61297			
1	00-974744	Cover - Fan.....	1
2	00-948253-00005	End Cover - Dryer.....	1
3	00-948260-00002	Channel - Air Inlet.....	1
4	00-948255-00002	Cover - Air Channel.....	1
5	00-948250-00008	Chamber - Dryer.....	1
6	00-948257-00002	Baffle - Air Dryer.....	1
7	00-948259-00002	Plate - Damper (Slotted).....	1
8	00-948258-00003	Plate - Damper (Deflector).....	1
9	00-974746	Plate - Damper.....	2
10	NS-015-01	Nut 1/4-20 Hex (SST).....	2
11	00-948263-00002	Bracket - Support.....	1
12	00-948264-00004	Pan Assy. (Dryer).....	1
13	00-948267-00002	Bracket - Support.....	1
14	00-949925	Kit - Blower (Incls. Items 17 thru 21, & 24).....	2
15	00-949855-00001	Blower - Dryer (200-480 V., 50/60 Hz., 3 Ph.).....	2
16	00-949855-00002	Blower - Dryer (600 V., 60 Hz., 3 Ph.).....	2
17	00-949898-00002	Plate - Side Mount (RH).....	2
18	00-949899	Cover - Mount.....	2
19	NS-031-21	Stop Nut 1/4-20 Hex (SST).....	AR
20	WS-017-06	Washer (SST).....	AR
21	SC-041-05	Cap Screw 1/4-20 x 5/8 Hex Hd. (SST).....	AR
22	00-294681-026-1	Thermostat - Electric Blower Dryer.....	1
23	SD-019-29	Self-Tapping Screw 6-20 x 1/2 Phil. Pan Hd., Type B.....	2
24	00-949898-00001	Plate - Side Mount (LH).....	2
25	00-949697	Cover.....	1
26	00-974745	Plate - Cover.....	1
27	WS-003-47	Washer (SST).....	2
28	00-950056	Plate - Damper.....	1
29	WS-017-06	Washer (SST).....	2
30	WL-006-17	Lockwasher 1/4 Helical (SST).....	2

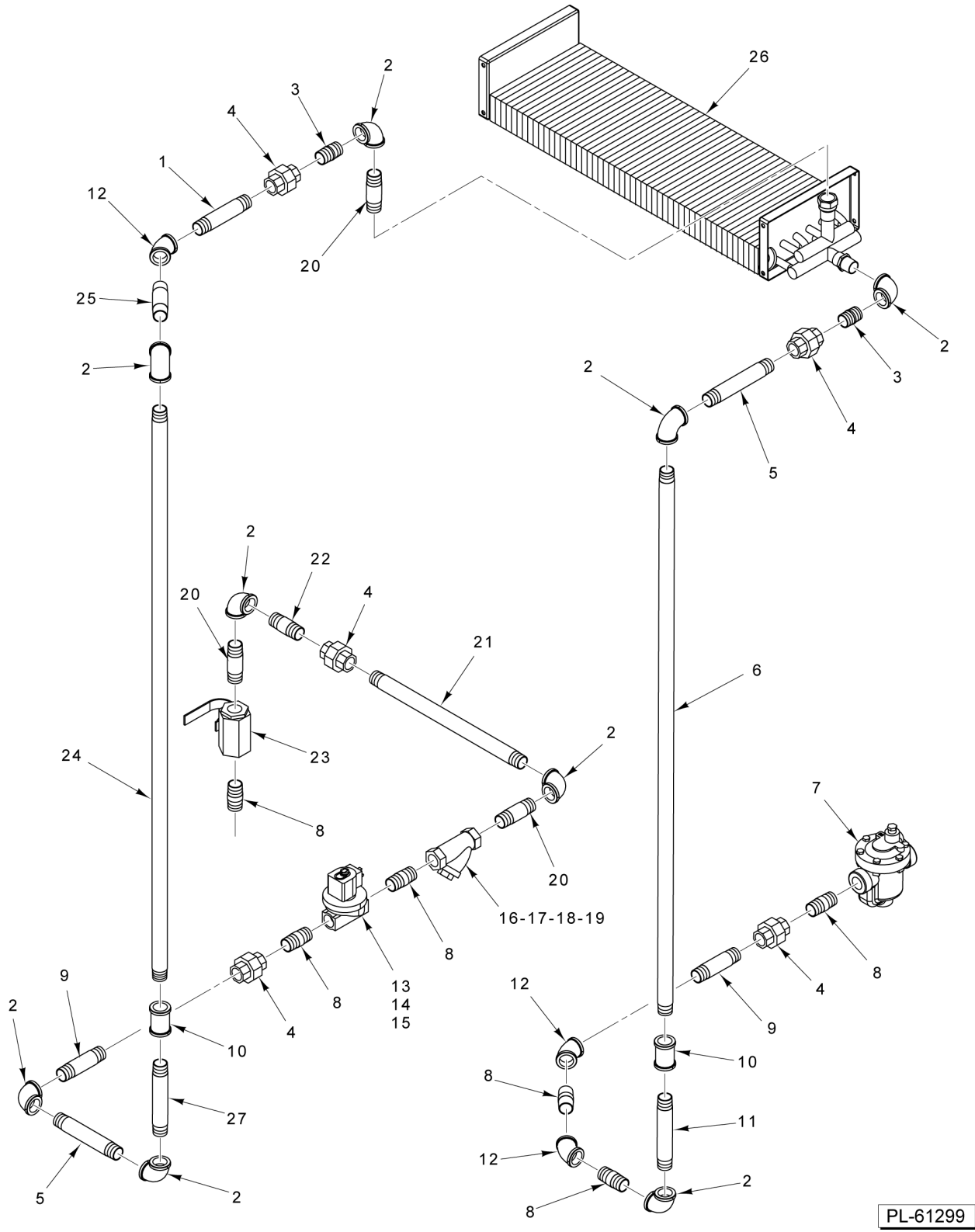


PL-61298

**ELECTRIC HEATER
(BLOWER DRYER)**

**ELECTRIC HEATER
(BLOWER DRYER)**

ILLUS.	PART NO.	NAME OF PART	AMT.
PL-61298			
1	00-949894	Plenum - Heater.....	1
2	00-949903	Cover - End Plate.....	1
3	SC-041-50	Cap Screw 1/4-20 x 1/2 Hex Hd. (SST).....	10
4	WS-017-06	Washer (SST).....	12
5	00-949904-00001	Plate - Holder (Element).....	1
6	00-974033	Plate - Base Mount.....	1
7	00-949924	Bracket - Holder.....	1
8	SC-066-06	Mach. Screw 10-24 x 1/2 Phil. Truss Hd. (SST).....	1
9	00-562095-00001	Heater - Air (208 V.).....	1
10	00-562095-00002	Heater - Air (240 V.).....	1
11	00-562095-00003	Heater - Air (380 V.).....	1
12	00-562095-00004	Heater - Air (480 V.).....	1
13	00-562095-00005	Heater - Air (600 V.).....	1
14	00-562095-00006	Heater - Air (415 V.).....	1
15	00-949900	Mount - Heater.....	1
16	00-949901-00001	Plate - Mount.....	1
17	NS-015-17	Nut 5/8-11 Hex (SST).....	6
18	WL-006-17	Lockwasher 1/4 Helical (SST).....	3
19	NS-015-01	Nut 1/4-20 Hex (SST).....	3
20	00-949922	Tube - Thermostat.....	1
21	00-949902	Cover - Element.....	1
22	NS-031-21	Stop Nut 1/4-20 Hex (SST).....	2
23	FE-027-10	Bushing.....	1
24	SD-019-29	Self-Tapping Screw 6-20 x 1/2 Phil. Pan Hd., Type B.....	2
25	00-294681-026-1	Thermostat - Electric Blower Dryer.....	1

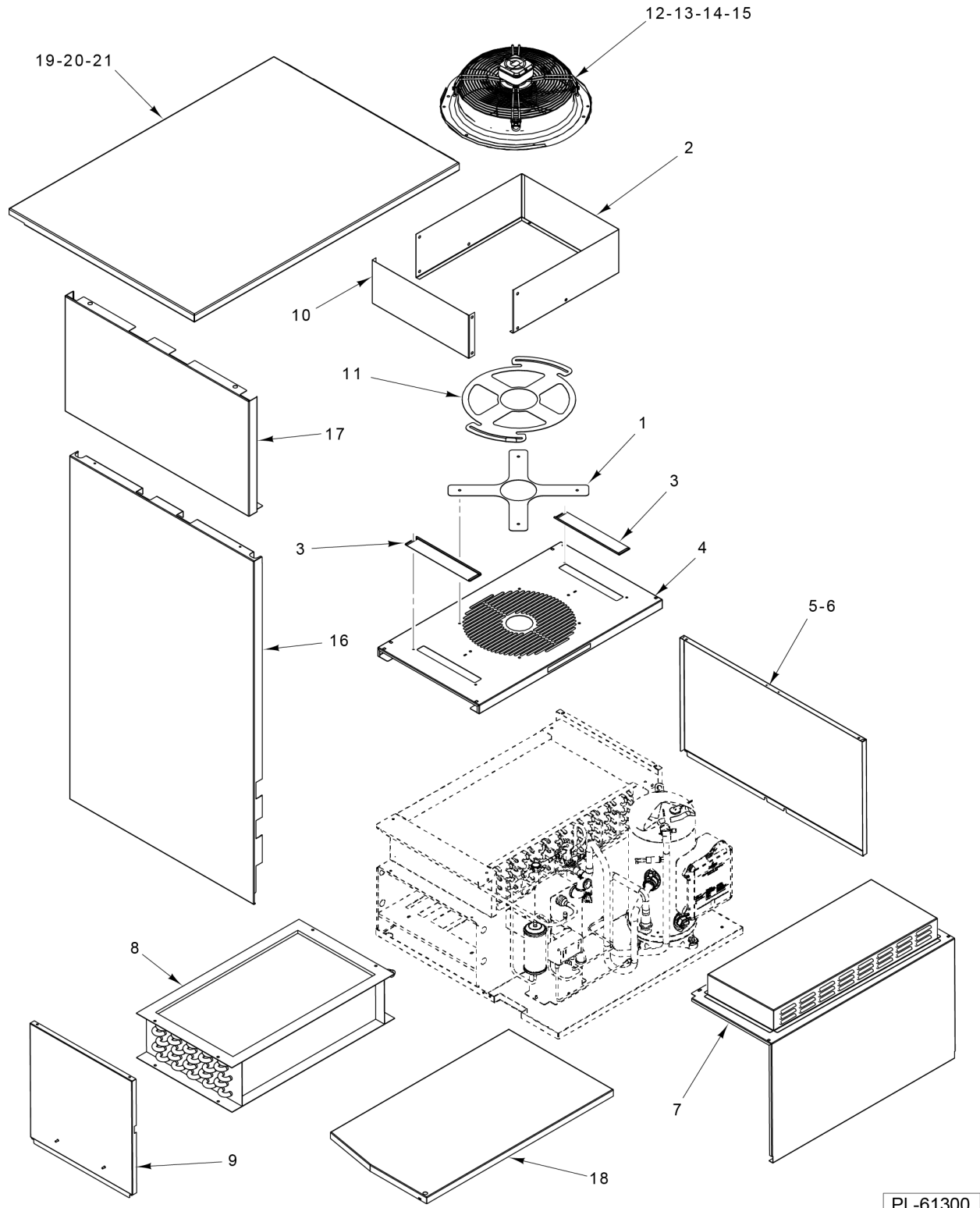


PL-61299

**STEAM HEATER
(BLOWER DRYER)**

**STEAM HEATER
(BLOWER DRYER)**

ILLUS.	PART NO.	NAME OF PART	AMT.
PL-61299			
1	FP-036-10	Pipe 3/4 x 4-3/4 TBE.....	1
2	FP-013-22	Elbow Pipe 3/4 x 90 Deg.....	9
3	FP-036-92	Pipe 3/4 x 1-3/8 TBE (Black).....	2
4	FP-022-17	Union 3/4 (Grd. Seat).....	5
5	FP-059-65	Pipe 3/4 x 6 TBE.....	2
6	FP-091-59	Pipe 3/4 x 48 TBE.....	1
7	00-118317	Steam Trap (21-50 PSI).....	1
8	FP-036-95	Pipe 3/4 x 2 TBE.....	6
9	FP-035-98	Pipe 3/4 x 4 TBE.....	2
10	FP-023-24	Pipe Coupling 3/4 (6 In. Higher Than Standard).....	2
11	FP-059-65	Pipe 3/4 x 6 TBE (6 In. Higher Than Standard).....	1
12	FP-013-20	Elbow 3/4 x 45 Deg.....	3
13	00-749983	Valve - Steam (3/4 In.) (125 PSI) (Incls. Item 14).....	1
14	00-892038	Coil - Solenoid Valve (110-120 V.).....	1
15	00-892072	Kit - 3/4 In. Valve Service.....	1
16	00-186922	Strainer - Line (3/4 In.) (Brass) (Incls. Items 17, 18, & 19).....	1
17	00-186923	Plug - Branch.....	1
18	00-186924	Gasket - Branch Plug.....	1
19	00-186925	Screen - Line Strainer.....	1
20	FP-036-05	Pipe 3/4 x 3 TBE.....	3
21	FP-091-58	Pipe 3/4 x 14 1/2.....	1
22	FP-059-05	Pipe 3/4 x 2-3/8 TBE.....	1
23	00-292385	Valve 3/4 Ball.....	1
24	FP-091-60	Pipe 3/4 x 50.....	1
25	FP-036-06	Pipe 3/4 x 3-1/2 TBE.....	1
26	00-949907	Coil - Steam.....	1
27	FP-059-64	Pipe 3/4 x 5-1/2 TBE (6 In. Higher Than Standard).....	1



PL-61300

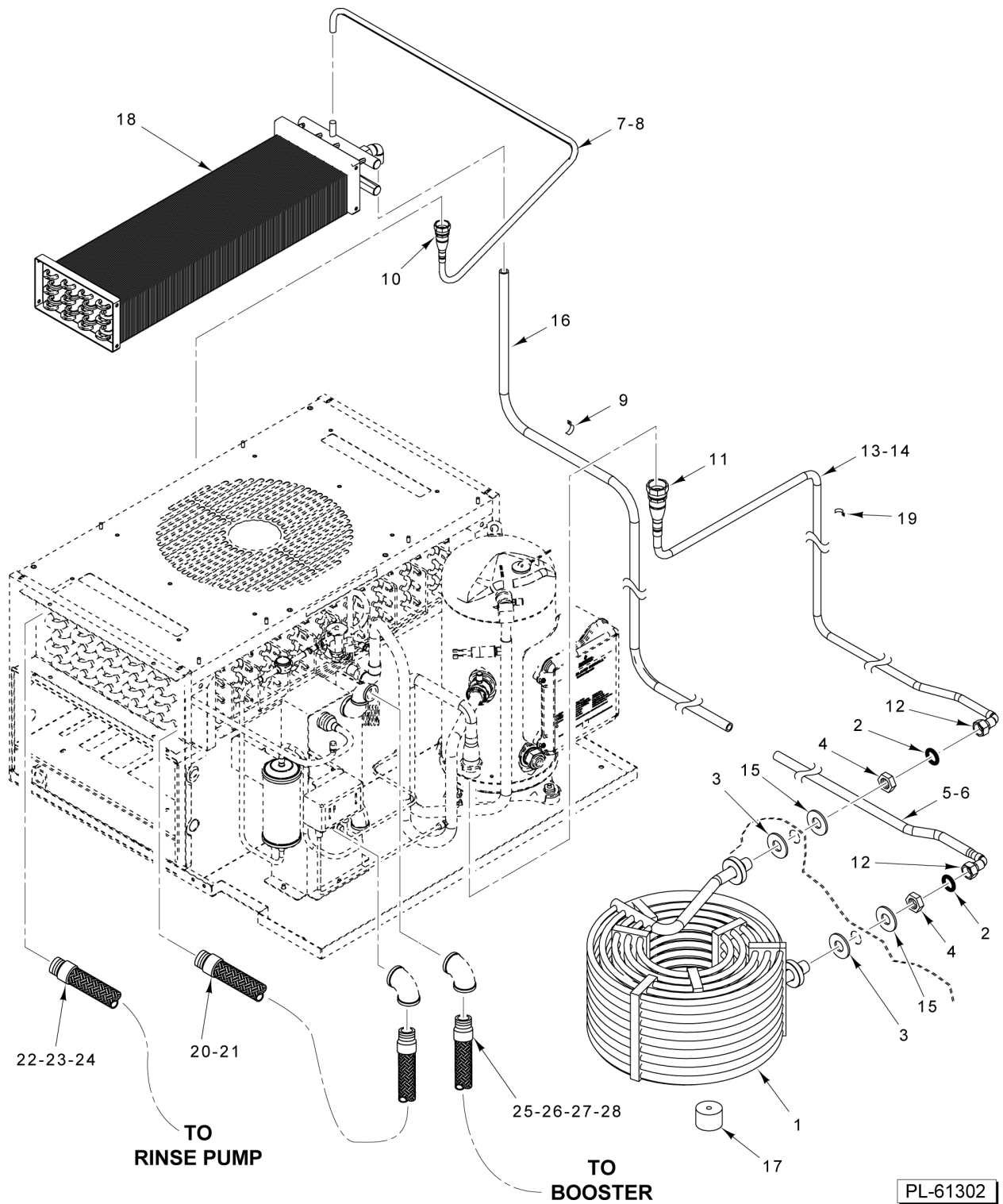
**PANELS AND FAN
(ADVANSYS)
(STARTING S/N 271196838)**

**PANELS AND FAN
(ADVANSYS)
(STARTING S/N 271196838)**

ILLUS.	PART NO.	NAME OF PART	AMT.
PL-61300			
1	00-950421	Plate - Base Damper.....	1
2	00-950147	Stack - Vent Fan Assy.....	1
3	00-948319-00001	Plate - Damper.....	2
4	00-949949	Cover.....	1
5	00-949595	Panel - Front (Advansys) (L-R).....	1
6	00-949595-00002	Panel - Front (Advansys) (R-L).....	1
7	00-950265	Panel Assy. - Cover (Heat Exchanger).....	1
8	00-948039-00002	Coil - Energy Recovery.....	1
9	00-949596-00001	Panel - Plenum (Advansys).....	2
10	00-950148	Stack - Vant Fan Cover.....	1
11	00-950422	Plate - Damper.....	1
12	00-950064-00001	Vent Fan Assy. (200-240 V., 50/60 Hz., 3 Ph.).....	1
13	00-950064-00002	Vent Fan Assy. (600 V., 60 Hz., 3 Ph.).....	1
14	00-950064-00003	Vent Fan Assy. (480 V., 60 Hz., 3 Ph.).....	1
15	00-950064-00004	Vent Fan Assy. (380-415 V., 50/60 Hz., 3 Ph.).....	1
16	00-950408-00001	Panel - Back (Bottom).....	1
17	00-950410	Panel - Back (Top).....	1
18	00-950568	Pan.....	1
19	00-948467-00004	Panel - Top (R-L) (Hinged door machines).....	1
20	00-948467-00005	Panel - Top (L-R) (Hinged door machines).....	1
21	00-562809-00003	Panel - Top (Sliding door machines).....	1

ADVANSYS ASSEMBLY

ILLUS.	PART NO.	NAME OF PART	AMT.
PL-61301			
1	00-562359-00001	Compressor (208-230 V.).....	1
2	00-562359-00002	Compressor (460 V.).....	1
3	00-562359-00003	Compressor (575 V.).....	1
4	00-562359-00004	Compressor (380 V.).....	1
5	00-948365-00001	Switch - Pressure.....	1
6	00-948452	Switch - Pressure (High).....	2
7	00-948367	Filter/Dryer/Receiver.....	1
8	00-948451-00001	Level - Sight Glass.....	1
9	00-950646	Valve - Thermostatic Expansion.....	1
10	FE-024-43	Bushing - Split (Electrical).....	4
11	00-948364-00001	Adapter - Pipe.....	1
12	00-948368-00003	Rack Weldment.....	1
13	00-948410-00001	Bracket - Fastening (Advansys).....	1
14	00-948432-00005	Coupling 1 x 3/8.....	1
15	00-950569	Bracket.....	1
16	PB-005-11	Plug - Button.....	4
17	00-948369-00003	Evaporator - Advansys.....	1
18	00-948373-00001	Plate - Heat Exchanger.....	1
19	FE-024-58	Connector Straight (Non-Metallic) Sealrite (3/4 Male Thd. x 3/4 Flex. Cnd.).....	1
20	00-948432-00008	Coupling 1/2 x 1/4.....	1
21	00-948432-00001	Coupling 1 x 1/2.....	1
22	FP-091-90	Elbow Pipe 1 x 1/2 x 90 Deg.....	2
23	FP-015-17	Elbow - Pipe 1/2 x 90 Deg. (Brass).....	1
24	00-948363-00001	Adapter - Pipe.....	1



CONDENSER COIL (ADVANSYS)

CONDENSER COIL (ADVANSYS)

ILLUS.	PART NO.	NAME OF PART	AMT.
PL-61302			
1	00-948481-00002	Coil - Condenser (Advansys).....	1
2	00-950254	Washer (Plastic) (Sweat Fitting).....	2
3	00-300084-00007	Gasket.....	2
4	00-950255	Lock Nut.....	2
5	00-950251-00001	Tube (R-L) (Condenser Coil to Blower Dryer).....	1
6	00-950251-00002	Tube (L-R) (Condenser Coil to Blower Dryer).....	1
7	00-950252	Tube (R-L) (Blower Dryer to Heat Pump).....	1
8	00-950390	Tube (L-R) (Blower Dryer to Heat Pump).....	1
9	00-558155	Strap (3/4).....	2
10	00-948363-00002	Adapter - Pipe.....	1
11	00-948364-00002	Adapter - Pipe.....	1
12	00-950253-00002	Coupling 3/4 (Refrigerant).....	2
13	00-950386	Tube (R-L) (Compressor to Condenser Coil).....	1
14	00-950388	Tube (L-R) (Compressor to Condenser Coil).....	1
15	WS-013-45	Washer (SST).....	2
16	00-950387	Tube (Condenser Coil to Blower Dryer).....	1
17	00-950451	Support - Coil.....	AR
18	00-948366-00002	Heat Exchanger.....	1
19	00-558156	Strap (5/8).....	2
20	00-918390-00006	Hose - Braided Water 1/2 x 22 In. (SST) (R-L).....	1
21	00-893444-00007	Hose - Braided Water 1/2 x 58 In. (SST) (L-R).....	1
22	00-893444-00007	Hose - Braided Water 1/2 x 58 In. (SST).....	1
23	00-893444-00005	Hose - Water (Braided) (120 In.) (SST).....	1
24	FP-023-19	Coupling - Pipe 1/2 (Brass).....	1
25	00-893444-00005	Hose - Water (Braided) (120 In.) (SST).....	1
26	FP-023-19	Coupling - Pipe 1/2 (Brass).....	1
27	00-893444-00007	Hose - Braided Water 1/2 x 58 In. (SST) (R-L).....	1
28	00-893444-00009	Hose - Water (Braided) (36 In.) (SST) (L-R).....	1

