



CATALOG OF REPLACEMENT PARTS

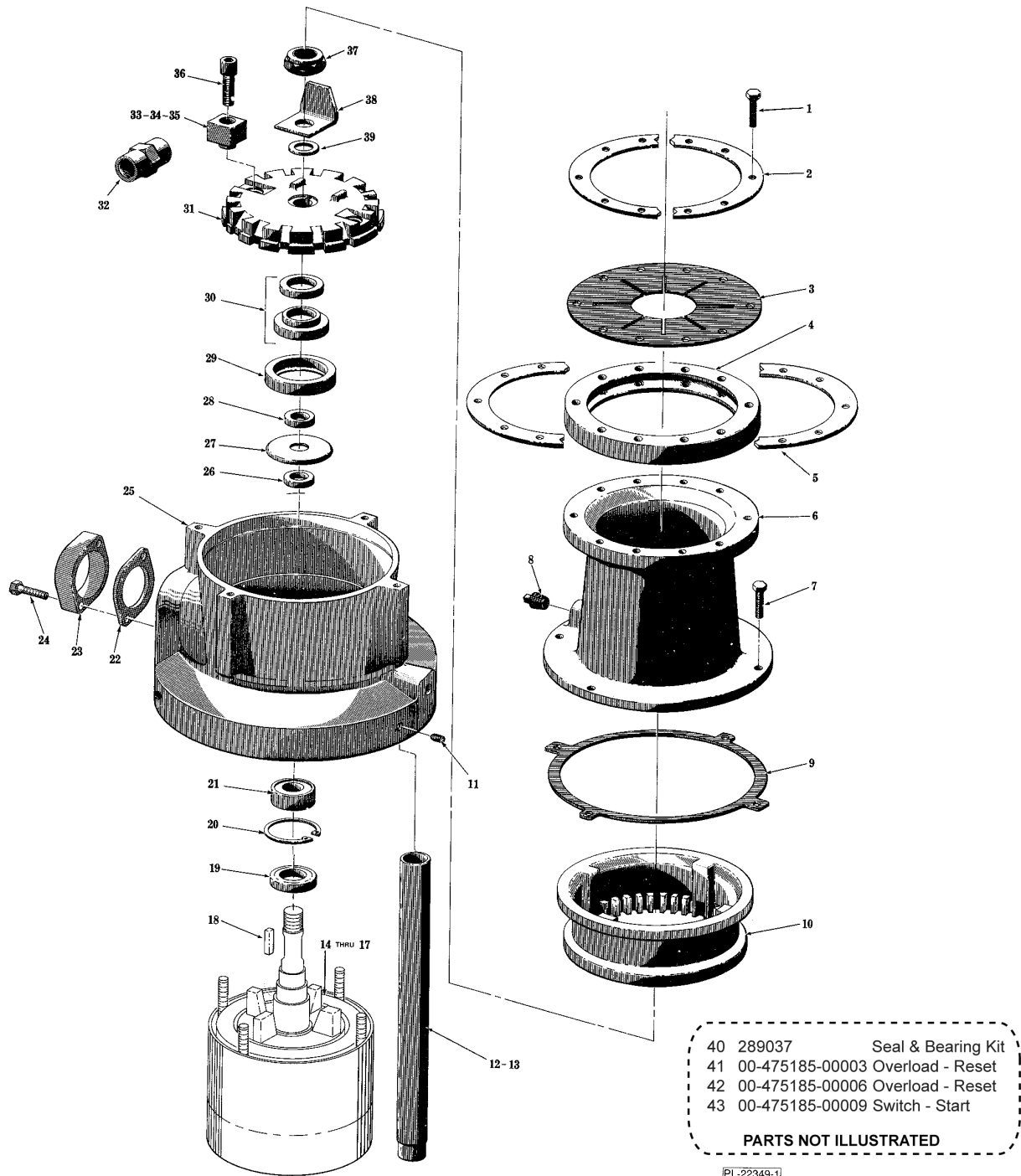
FD3-150, FD3-200, & FD3-300 FOOD WASTE DISPOSERS



FD3-150
ML-110301
FD3-200
ML-110305
FD3-300
ML-110309

Table of Contents

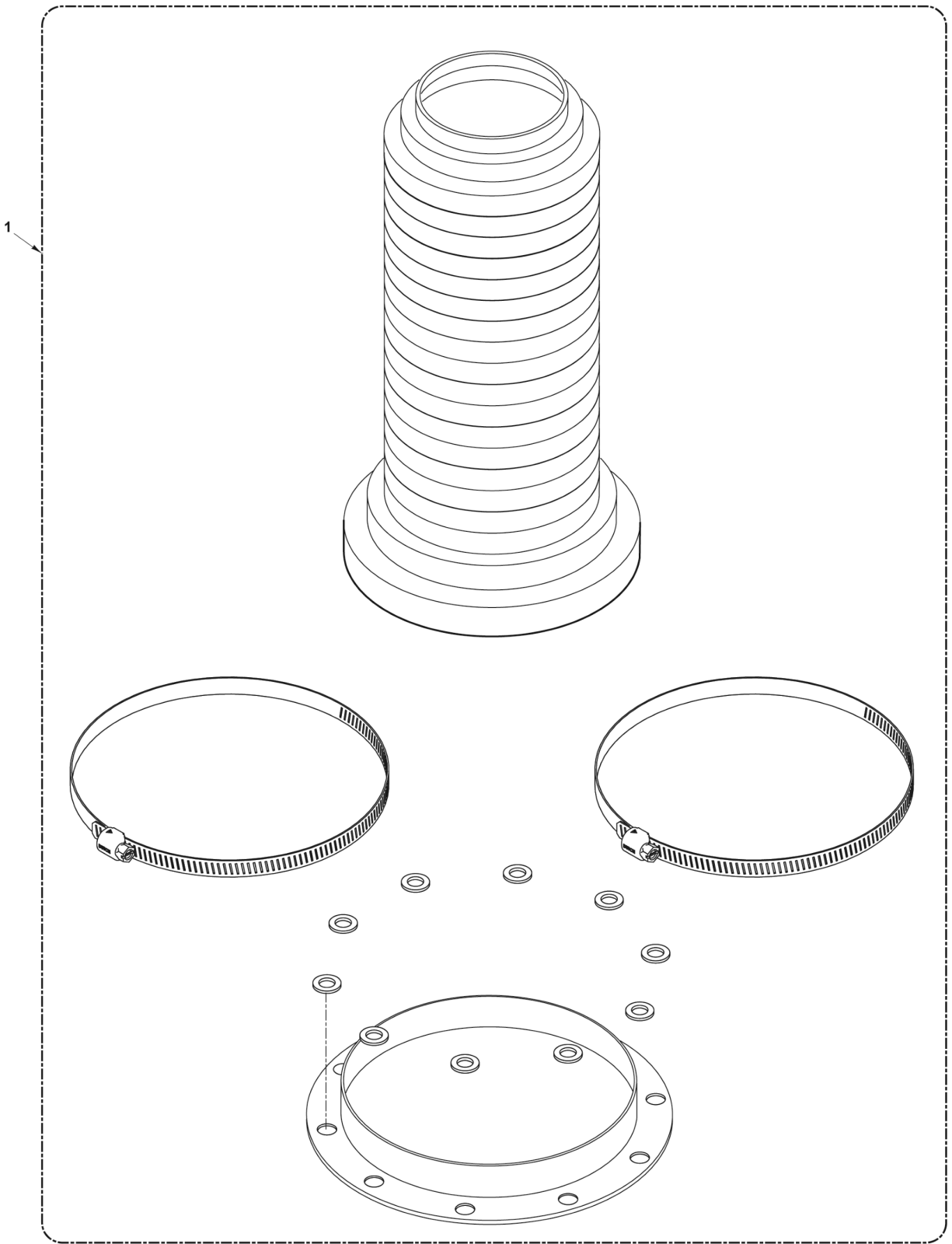
- 5 DISPOSER (FD3-150, FD3-200, & FD3-300)
- 7 UNIVERSAL ADAPTOR KIT



**DISPOSER
(FD3-150, FD3-200, & FD3-300)**

**DISPOSER
(FD3-150, FD3-200, & FD3-300)**

ILLUS.	PART NO.	NAME OF PART	AMT.
PL-22349-1			
1	SC-118-16	Cap Screw 1/4-20 x 1 3/8 Hex Hd.....	10
2	203185	Ring - Top Cone Clamp (Half).....	2
3	202105	Guard - Splash.....	1
4	201492	Ring - Isolating.....	1
5	203191	Ring - Bottom Cone Clamp (Half).....	2
6	200942-1	Housing - Upper.....	1
7	SC-41-12	Cap Screw 5/16-18 x 7/8 Hex Hd.....	4
8	FP-66-2	Plug 1/2 Sq. Hd. Pipe.....	1
9	289002	Gasket - Waste.....	1
10	201228	Ring - Shredder.....	1
11	SC-88-36	Set Screw 5/16-18 x 1/2 Hex Hdls. Cup Pt.....	3
12	288380-1	Leg & Bullet Foot.....	3
13	289026-1	Leg & Flanged Foot.....	3
14	475137-1	Motor (120/208-240 V., 60 Hz., 1 Ph.)(FD3-150 & FD3-200).....	1
15	475137-2	Motor (110-120/220-240 V., 50 Hz., 1 Ph.)(FD3-150 & FD3-200).....	1
16	475137-7	Motor (208-240/480 V., 60 Hz., 3 Ph. & 220-240/380-415 V., 50 Hz., 3 Ph.)(FD3-150).....	1
17	475137-8	Motor (208-240/480 V.,60 Hz.,3 Ph. & 220-240/380-415 V.,50 Hz.,3 Ph.)(FD3-200/ FD3-300).....	1
18	00-203619-00001	Key - Shaft.....	2
19	288999	Sea] - Oil.....	1
20	RR-6-2	Retaining Ring.....	1
21	BB-17-39	Ball Bearing - MRC 205 SZZ-01-ST-A-92-C.....	1
22	201420	Gasket - Spout.....	1
23	204852	Flange - Outlet.....	1
24	SC-36-40	Cap Screw 5/16-18 x 1 1/4 Hex Hd.....	2
25	473199	Lower Housing.....	1
26	289012	Spacer.....	1
27	202724	Slinger - Water.....	1
28	289012	Spacer.....	1
29	203193	Support - Seal.....	1
30	114144	Water Seal Assy.....	1
31	201210	Flywheel.....	1
32	292120	Flow Control (8 G.P.M.).....	1
33	00-201223-00003	Cutter - Flywheel (FD3-150).....	2
34	00-201223-00001	Cutter - Flywheel (FD3-200).....	2
35	00-201223-00004	Cutter - Flywheel (FD3-300).....	2
36	202556-2	Screw.....	2
37	NS-31-43	Stop Nut 3/4-16 "Elastic".....	1
38	201234	Cutter - Hi-Bulk.....	1
39	272004	Seal - Shaft.....	1
40	289037	Seal & Bearing Kit (Incls.items 19, 20, 21, 26 thru 30 & 39).....	1
41	00-475185-00003	Overload - Reset FD3-150/200 1Ph.....	1
42	00-475185-00006	Overload - Reset FD3-150 3Ph.....	1
43	00-475185-00009	Switch, Start FD3-150/200.....	1



AI4674

UNIVERSAL ADAPTOR KIT

UNIVERSAL ADAPTOR KIT

ILLUS. PL-AI4674	PART NO.	NAME OF PART	AMT.
1	00-976022	Kit - Universal Adaptor.....	1

