



CATALOG OF REPLACEMENT PARTS

FD FOOD WASTE DISPOSERS

ML-31128	FD-150 thru FD-500 15 In. Cone
ML-31129	FD-150 thru FD-500 18 In. Cone
ML-31130	FD-150 thru FD-500 15 In. Cone
ML-31131	FD-150 thru FD-500 18 In. Cone
ML-18940	FD-150 thru FD-500 15 In. Cone
ML-18941	FD-150 thru FD-500 15 In. Cone
ML-18942	FD-50 thru FD-125

Table of Contents

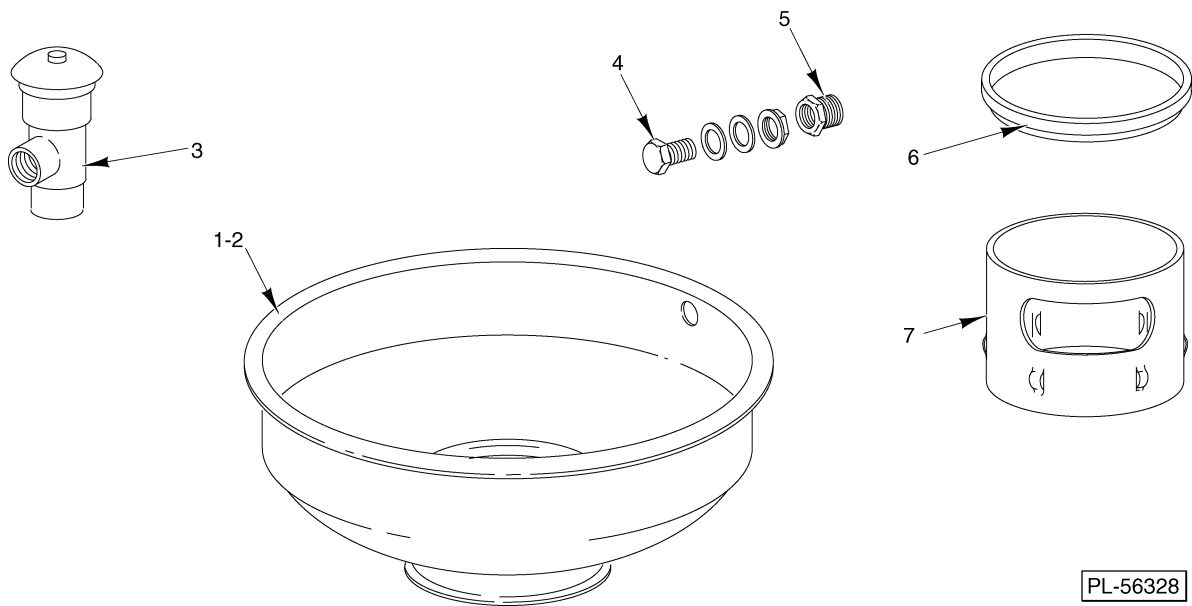
5 ACCESSORY GROUP A (FD-150 THRU FD-500 15 IN. CONE ML-31128)
(FD-150 THRU FD-500 18 IN. CONE ML-31129)

7 ACCESSORY GROUP B (FD-150 THRU FD-500 15 IN. CONE ML-31130)
(FD-150 THRU FD-500 18 IN. CONE ML-31131)

9 ACCESSORY GROUP C (FD-150 THRU FD-500 15 IN. CONE ML-18940)

11 ACCESSORY GROUP D (FD-150 THRU FD-500 15 IN. CONE ML-18941)

13 ACCESSORY GROUP E (FD-50 THRU FD-125 ML-18942) (FD2-50 THRU
FD2-125) (FD3-50 THRU FD3-125)

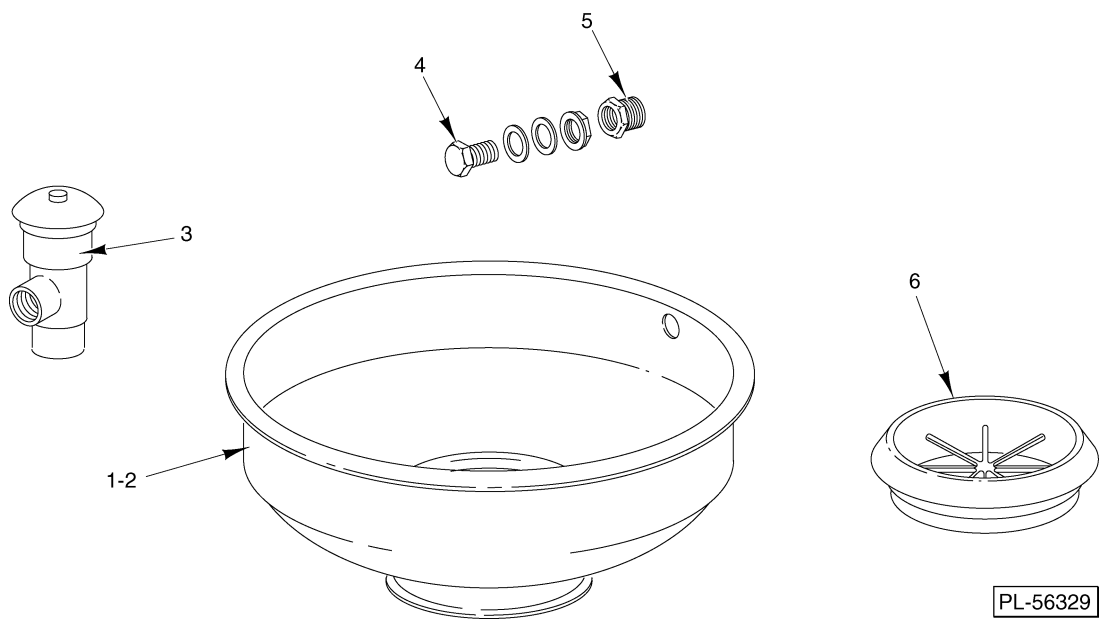


PL-56328

ACCESSORY GROUP A
(FD-150 THRU FD-500 15 IN. CONE ML-31128)
(FD-150 THRU FD-500 18 IN. CONE ML-31129)

**ACCESSORY GROUP A
(FD-150 THRU FD-500 15 IN. CONE ML-31128)
(FD-150 THRU FD-500 18 IN. CONE ML-31129)**

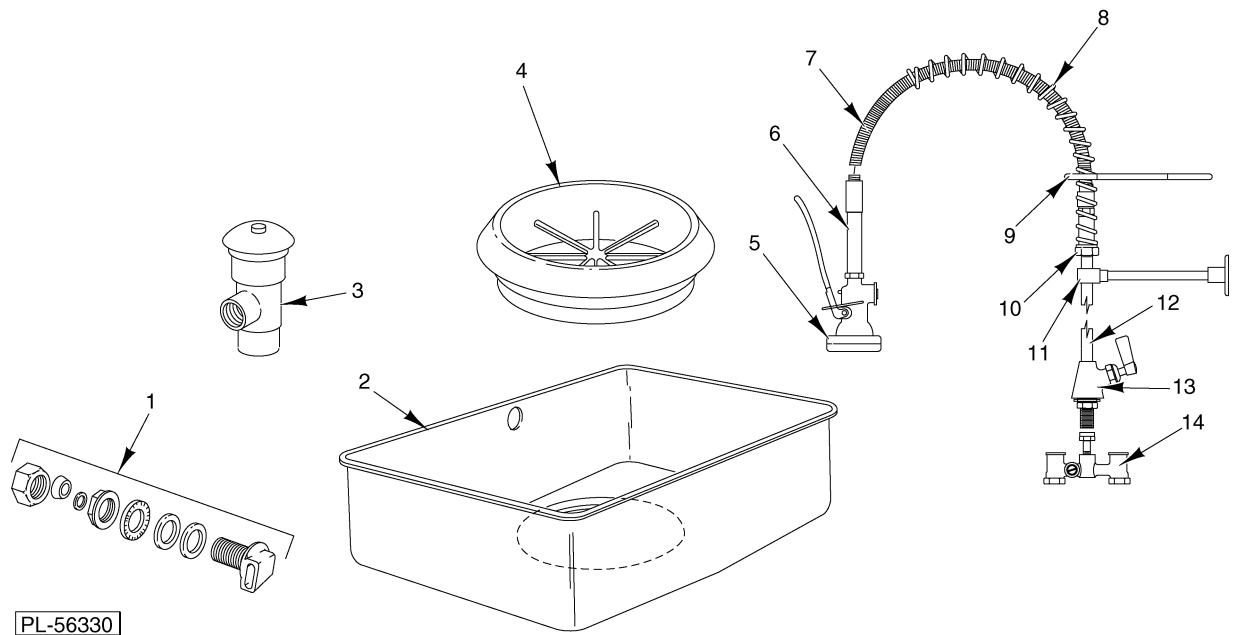
ILLUS.	PART NO.	NAME OF PART	AMT.
PL-56328			
1	00-204007	15 In. Cone (W/O Swirl & Flow Control).....	1
2	00-204004	18 In. Cone (W/O Swirl & Flow Control).....	1
3	00-277112	Vacuum Breaker - 3/4 In.....	1
4	00-204380	Swirl Assy. (8 G.P.M.) (Incls. Item 5).....	1
5	FP-026-19	Bushing - 3/4 In. to 1/2 In. Hex Reducing.....	1
6	00-202113	Scrapping Ring - 7 In.....	1
7	00-203870-00002	Sleeve - Silver Saver (W/Side Hole).....	1



ACCESSORY GROUP B
(FD-150 THRU FD-500 15 IN. CONE ML-31130)
(FD-150 THRU FD-500 18 IN. CONE ML-31131)

**ACCESSORY GROUP B
 (FD-150 THRU FD-500 15 IN. CONE ML-31130)
 (FD-150 THRU FD-500 18 IN. CONE ML-31131)**

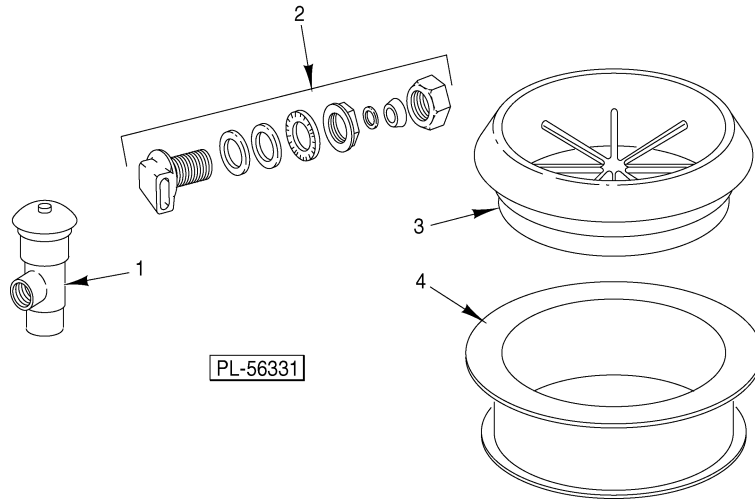
ILLUS. PL-56329	PART NO.	NAME OF PART	AMT.
1	00-204007	15 In. Cone (W/O Swirl & Flow Control).....	1
2	00-204004	18 In. Cone (W/O Swirl & Flow Control).....	1
3	00-277112	Vacuum Breaker - 3/4 In.....	1
4	00-204380	Swirl Assy. (8 G.P.M.) (Incls. Item 5).....	1
5	FP-026-19	Bushing - 3/4 In. to 1/2 In. Hex Reducing.....	1
6	00-202120	Trap - Silver.....	1



**ACCESSORY GROUP C
(FD-150 THRU FD-500 15 IN. CONE ML-18940)**

**ACCESSORY GROUP C
(FD-150 THRU FD-500 15 IN. CONE ML-18940)**

ILLUS. PL-56330	PART NO.	NAME OF PART	AMT.
1	00-204346	Nozzle - Spray.....	1
2	00-204015-00002	Sink (16 In. x 20 In. x 7 In.) (With 7 In. Sink Flange).....	1
3	00-277112	Vacuum Breaker - 3/4 In.....	1
4	00-202120	Trap - Silver.....	1
5	00-288739-00001	Valve - Spray.....	1
6	00-288739-00002	Handle - Insulated.....	1
7	00-288739-00003	Arm - Armored Hose (SST).....	1
8	00-288739-00004	Spring - Gooseneck.....	1
9	00-288739-00005	Hose Hook.....	1
10	00-288739-00006	Pipe - Hose Adapter.....	1
11	00-288739-00007	Bracket - Wall.....	1
12	00-288739-00008	Pipe - Riser.....	1
13	00-288739-00009	Control - Single Valve.....	1
14	00-288739-00010	Template - Temp Adjustment Valve.....	1



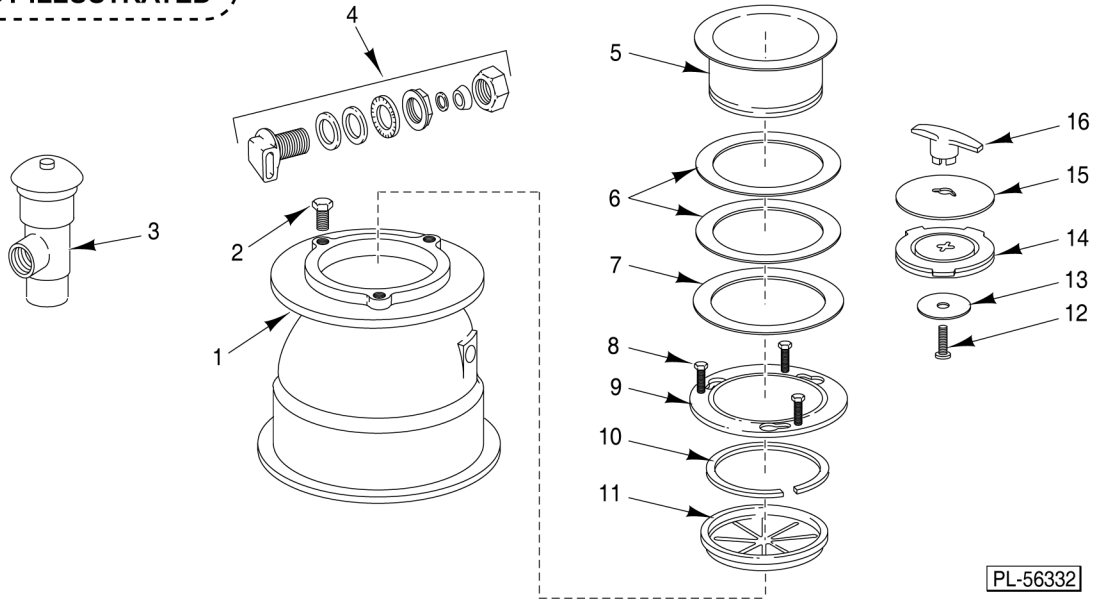
**ACCESSORY GROUP D
(FD-150 THRU FD-500 15 IN. CONE ML-18941)**

**ACCESSORY GROUP D
(FD-150 THRU FD-500 15 IN. CONE ML-18941)**

ILLUS.	PART NO.	NAME OF PART	AMT.
PL-56331			
1	00-277112	Vacuum Breaker - 3/4 In. (Incls. Item 2).....	1
2	00-204346	Swirl Assy.....	1
3	00-202120	Trap - Silver.....	1
4	00-204853	Flange - Sink (7 In.).....	1

- 17 Closure Assy.
- 18 Sink Flange Assy.
- 19 Sink Flange W/ Cover Assy.
- 20 Kit - Sink Flange Accessory

PARTS NOT ILLUSTRATED



ACCESSORY GROUP E
(FD-50 THRU FD-125 ML-18942)
(FD2-50 THRU FD2-125)
(FD3-50 THRU FD3-125)

ACCESSORY GROUP E
(FD-50 THRU FD-125 ML-18942)
(FD2-50 THRU FD2-125)
(FD3-50 THRU FD3-125)

ILLUS. PL-56332	PART NO.	NAME OF PART	AMT.
*1	00-289006	Housing - Upper.....	1
2	SC-041-12	Cap Screw 5/16-18 x 7/8 Hex Hd. (SST).....	3
3	00-277112	Vacuum Breaker (3/4).....	1
4	00-204346	Nozzle - Spray.....	1
5	00-203907-00001	Flange - Sink.....	1
6	00-201462	Seal - Sink Flange.....	2
7	00-202700	Press - Pressure Washer.....	1
8	00-202501	Screw.....	3
9	00-203143	Plate - Support.....	1
10	00-202536	Ring - Snap.....	1
11	00-202106	Guard - Splash.....	1
12	SC-093-06	Mach. Screw 10-24 x 5/8 Slotted Pan Hd. (SST).....	1
13	00-203165	Support - Seal.....	1
14	00-202133	Seal - Closure.....	1
15	00-202127	Plate - Cover.....	1
16	00-203605	Handle - Control Cover.....	1
17	00-200479	Closure Assy. (Incls. Items 12 thru 16).....	1
18	00-200338-00024	Sink Flange Assy. (Incls. Items 5 thru 11).....	1
19	00-200321	Sink Flange W/Cover Assy. (Incls. Items 5 thru 16).....	1
20	ML-018942-0000Z	Kit - Sink Flange Accessory (Incls. Items 3 thru 16).....	1

* Not Part of Group "E". Must be Ordered Separately

