



CATALOG OF REPLACEMENT PARTS

EL7 Series

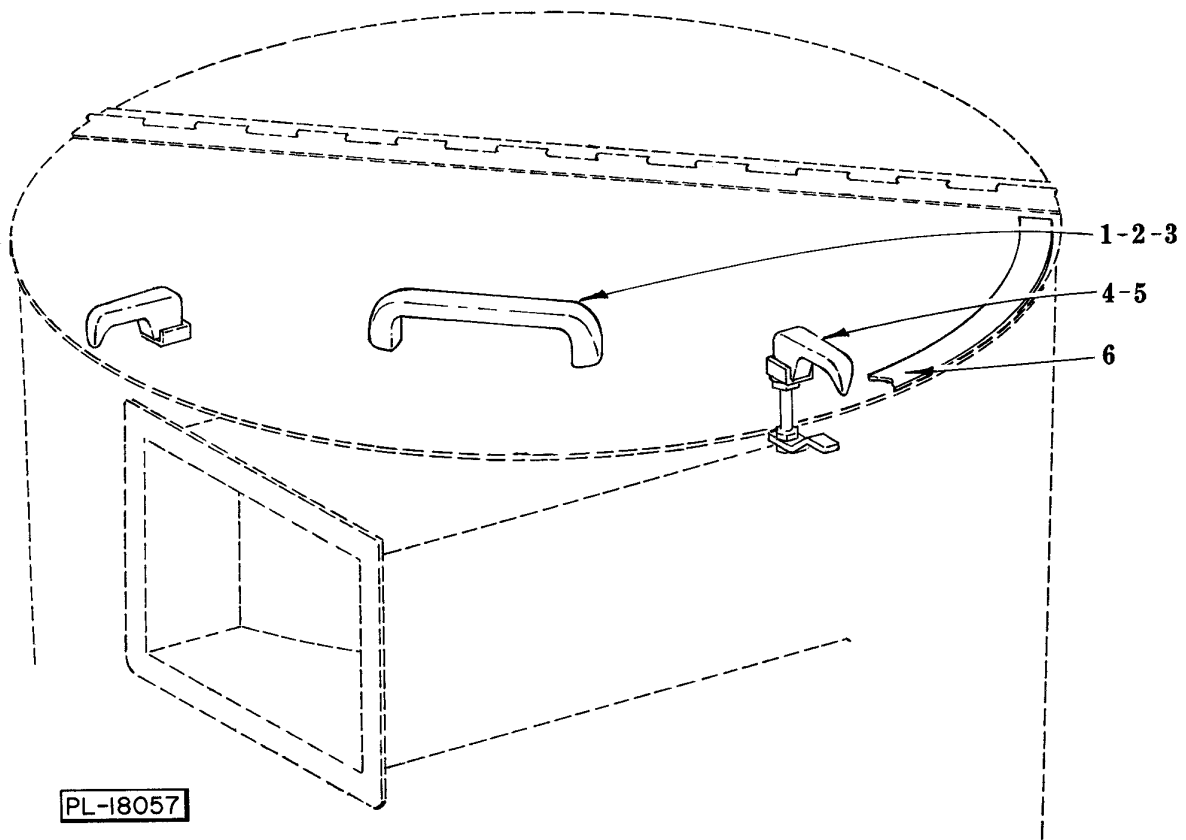
EL7-1530

ML-37301	FS LP L-R
ML-37302	FS LP R-L
ML-37303	FS HP L-R
ML-37304	FS HP R-L
ML-37305	UC LP W/O Feed Trough L-R
ML-37306	UC LP W/O Feed Trough R-L
ML-37307	UC HP W/O Feed Trough L-R
ML-37308	UC HP W/O Feed Trough R-L
ML-37309	UC LP W/ Feed Trough L-R
ML-37310	UC LP W/ Feed Trough R-L
ML-37311	UC HP W/ Feed Trough L-R
ML-37312	UC HP W/ Feed Trough R-L
ML-37313	UC LP W/FT & Hinged Cover L-R
ML-37314	UC LP W/FT & Hinged Cover R-L
ML-37315	UC HP W/FT & Hinged Cover L-R
ML-37316	UC HP W/FT & Hinged Cover R-L
ML-37317	W/RP FS LP L-R
ML-37318	W/RP FS LP R-L
ML-37319	W/RP FS HP L-R
ML-37320	W/RP FS HP R-L
ML-37321	W/RP UC LP W/ Feed Trough L-R
ML-37322	W/RP UC LP W/ Feed Trough R-L

ML-37323	W/RP UC HP W/ Feed Trough L-R
ML-37324	W/RP UC HP W/ Feed Trough R-L
ML-37325	W/RP UC LP W/FT & Hinged Cover L-R
ML-37326	W/RP UC LP W/FT & Hinged Cover R-L
ML-37327	W/RP UC HP W/FT & Hinged Cover L-R
ML-37328	W/RP UC HP W/FT & Hinged Cover R-L
ML-37329	W/RP UC LP W/FT & F.H & Tray L-R
ML-37330	W/RP UC LP W/FT & F.H & Tray R-L
ML-37331	W/RP UC HP W/FT & F.H & Tray L-R
ML-37332	W/RP UC HP W/FT & F.H & Tray R-L

Table of Contents

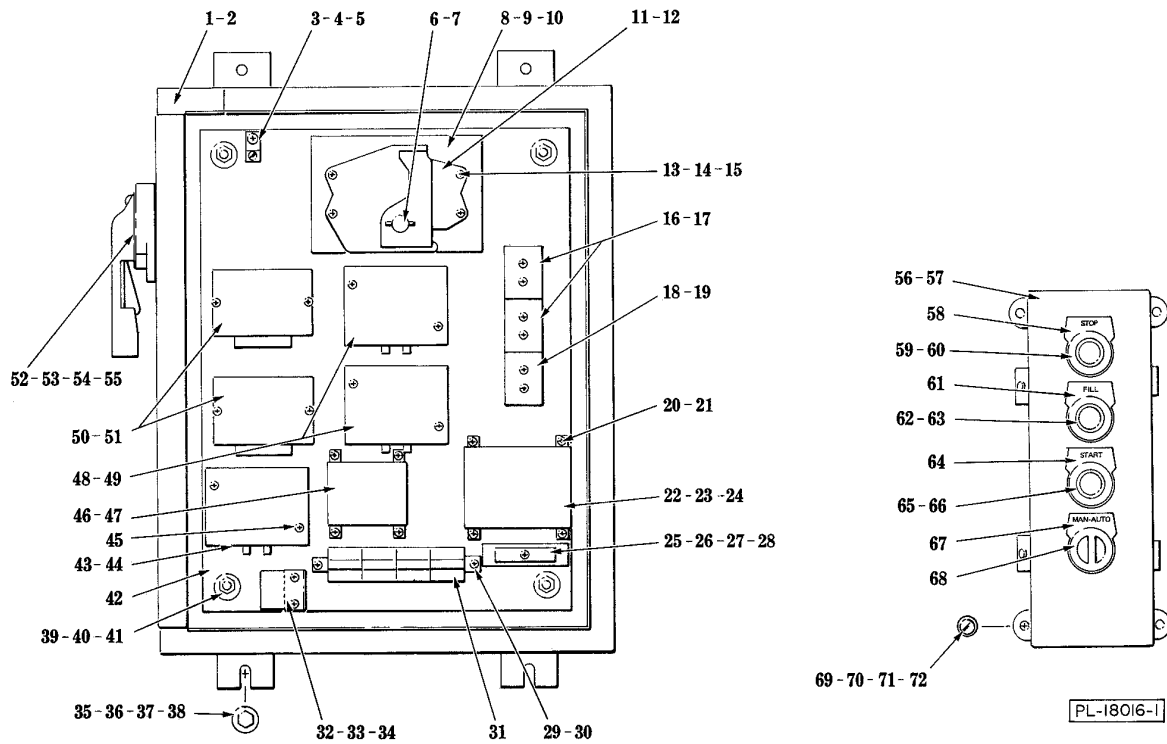
7	PULPER HINGED COVER UNIT
9	ELECTRICAL UNIT
13	OVERLOAD RELAY CHART
15	PULPER HOUSING UNIT (FREE STANDING)
17	PULPER HOUSING (UNDER COUNTER)
19	PULPER MOTOR UNIT
21	DISCHARGE AND WATER PRESS HOUSING
25	WATER PRESS UNIT
27	FRESH WATER AND SEAL FLUSH SUPPLY LINES
29	MISCELLANEOUS
31	PULPER HOUSING UNIT
33	RECIRCULATING PUMP PARTS
35	SCREEN FLUSH UNIT
37	RECIRCULATING PUMP UNIT



PULPER HINGED COVER UNIT

PULPER HINGED COVER UNIT

ILLUS.	PART NO.	NAME OF PART	AMT.
PL-18057			
1	222559	Handle.....	1
2	SC-21-22	Mach. Screw - 10-24 x 3/8 Rd. Hd.....	2
3	WL-14-7	Lock Washer - 10 Ext. Shakeproof.....	2
4	82474	Pawl Fastener.....	2
5	WL-14-34	Lock Washer - 5/8 Ext. Shakeproof.....	2
6	223029-2	Gasket (30 Dia. Tank) (Give Length).....	1



ELECTRICAL UNIT

ELECTRICAL UNIT

ILLUS.	PART NO.	NAME OF PART	AMT.
	PL-18016-1		
1	291935-1	Box - Conduit (Under Counter).....	1
2	291935-2	Box - Conduit (Free Standing).....	1
3	118544-1	Lug - Solderless.....	1
4	SD-8-25	Self-Tapping Screw - 10-16 x 3/8 Phil. Bind. Hd., Type B.....	1
5	WL-7-12	Lock Washer - 10 Ext. Shakeproof.....	1
6	223521	Handle - Shaft.....	1
7	222961	Mach. Screw - 10-32 x 1/2 Soc. Hd.....	1
8	223488-5	Breaker - Circuit (230 V., 60 Hz./200 V., 50 Hz.).....	1
9	223488-6	Breaker - Circuit (200 V., 60 Hz.).....	1
10	223488-8	Breaker - Circuit (460 V., 60 Hz.).....	1
11	223526	Mechanism - Handle (Incls. items 7, 12, 13, 14 & 15).....	1
12	222963	Spacer.....	4
13	SC-33-22	NLA - Obsolete--Mach. Screw - #8-32 x 3-7/8" Pan Hd.....	4
14	WL-5-12	Lock Washer - 8 Light.....	4
15	WS-2-47	NLA - Obsolete--Washer.....	4
16	294325-3-1	Block - Terminal.....	2
17	SD-29-11	Self-Tapping Screw 6-32 x 1 Phil. Pan Hd., Type F.....	4
*18	294325-3-1	Block - Terminal (Use with Recirculating Pump).....	1
19	SD-29-11	Self-Tapping Screw 6-32 x 1 Phil. Pan Hd., Type F.....	2
20	SD-8-25	Self-Tapping Screw 10-16 x 3/8 Phil. Bind. Hd., Type B.....	4
21	WL-7-12	Lock Washer 10 Ext. Shakeproof.....	4
22	223452-1	Transformer (200 V., 50/60 Hz.).....	1
23	294500-5-1	Transformer (230-460 V., 60 Hz.).....	1
24	222438-52	NLA - Obsolete--Transformer (380-415 V., 50 Hz.).....	1
25	118488	Insulator - Fuse Block.....	1
26	123082	Block - Fuse.....	2
27	FE-22-39	Fuse (1-1/2 Amp. 250 V.).....	1
28	SD-8-17	Self-Tapping Screw 6-20 x 3/8 Phil. Bind. Hd. Type B.....	1
29	294325-1-2	Mounting - Terminal Block.....	1
30	SD-8-18	Self-Tapping Screw 8-18 x 3/8 Phil. Bind. Hd., Type B.....	2
31	294325-2-2	Block - Terminal.....	4
32	205113-3	Relay (3 PDT).....	1
33	116363	Bracket - Relay Mounting.....	1
34	SD-8-17	Self-Tapping Screw 6-20 x 3/8 Phil. Bind. Hd., Type B.....	3
35	SC-41-30	Cap Screw 3/8-16 x 1 Hex Hd.....	4
36	WS-26-6	Washer.....	4
37	WL-6-28	Lock Washer 3/8 Medium.....	4
38	NS-15-13	Full Nut 3/8-16 Hex Fin.....	4
39	NS-13-25	Full Nut 3/8-16 Hex Fin.....	4
40	WS-016-07	Washer (Rubber).....	4
41	WL-14-28	NLA - Obsolete--Lock Washer 3/8 Ext. Shakeproof.....	4
42	291907	Base Plate - Control Panel.....	1
**43	00-563352	Relay - Thermal Overload (3Ph.) (Use with Recirculating Pump).....	1
*45	SD-8-18	Self-Tapping Screw 8-18 x 3/8 Phil. Bind. Hd., Type B.....	AR
46	223459-1	Timer (Timed Operation).....	1
47	SD-8-18	Self-Tapping Screw 8-18 x 3/8 Phil. Bind. Hd., Type B.....	4
**48	00-563352	Relay - Thermal Overload (3Ph.).....	2
50	121926-2	Contacto.....	2
51	SD-8-18	Self-Tapping Screw 8-18 x 3/8 Phil. Bind. Hd., Type B.....	4
52	222450	Handle - Vari - Depth (Incls.items 53, 54 & 55).....	1
53	222962	Gasket.....	1
54	SD-33-17	Mach. Screw 1/4-20 X 7/16 Pan Hd.....	3
55	WL-5-27	Lock Washer 1/4 Medium.....	3
56	291880-1	NLA - Obsolete--Box - Push Button (W/O Timer).....	1
57	291880-2	Box - Push Button (W/Timer).....	1

ELECTRICAL UNIT

ILLUS.	PART NO.	NAME OF PART	AMT.
PL-18016-1			
58	87711-166-7	Plate - Legend (Stop).....	1
59	87711-161-1	Switch - Push Button.....	1
60	87711-162-2	Boot - Push Button Switch.....	1
61	87711-166-1	Plate - Legend (Fill).....	1
62	87711-161-1	Switch - Push Button.....	1
63	87711-162-1	Boot - Push Button Switch.....	1
64	87711-166-2	Plate - Legend (Start).....	1
65	87711-161-2	Switch - Push Button.....	1
66	87711-162-1	Boot - Push Button Switch.....	1
67	87711-166-3	Plate - Legend (Manual/Automatic).....	1
68	87711-163-4	Switch - Selector.....	1
69	SC-21-39	Mach. Screw 1/4-20 x 5/8 Rd. Hd.....	4
70	WS-17-6	Washer.....	4
71	WL-6-17	Lock Washer 1/4 Medium.....	4
72	NS-15-1	Full Nut 1/4-20 Hex Fin.....	4

* Mach. with Recirculating Pump.
 ** See Overload Relay Chart

NOTES

Heater Element from Old Overload 00-88196-009-1		New Overload Relay
"E" Type, (112235-X) Part Number	"K" Type. (294687-X) Part Number	00-563352-0000X
E27, E28, E29, E31	K21, K22, K23	1. 00-563352-00001
E32, E33	K24, K26	2. 00-563352-00002
E34, E36, E37	K27, K28, K29	3. 00-563352-00003
E38, E39	K31, K32, K33	4. 00-563352-00004
E41, E42, E44	K34, K36	5. 00-563352-00005
E46, E47, E48	K37, K39	6. 00-563352-00006
E49, E50	K41, K42, K43	7. 00-563352-00007
E51, E52	K49	8. 00-563352-00008
E53, E55, E56	K50, K52	9. 00-563352-00009
E57	K53, K54, K55, K56, K57	10. 00-563352-00010
E60, E61, E62	K58, K60, K61, K62	11. 00-563352-00011
E65, E66, E67	K63, K64	12. 00-563352-00012
E3, E4, E5, E6		13. 00-563352-00013
E11, E12, E13, E14, E16		14. 00-563352-00014
E17, E18, E19, E23, E24		15. 00-563352-00015

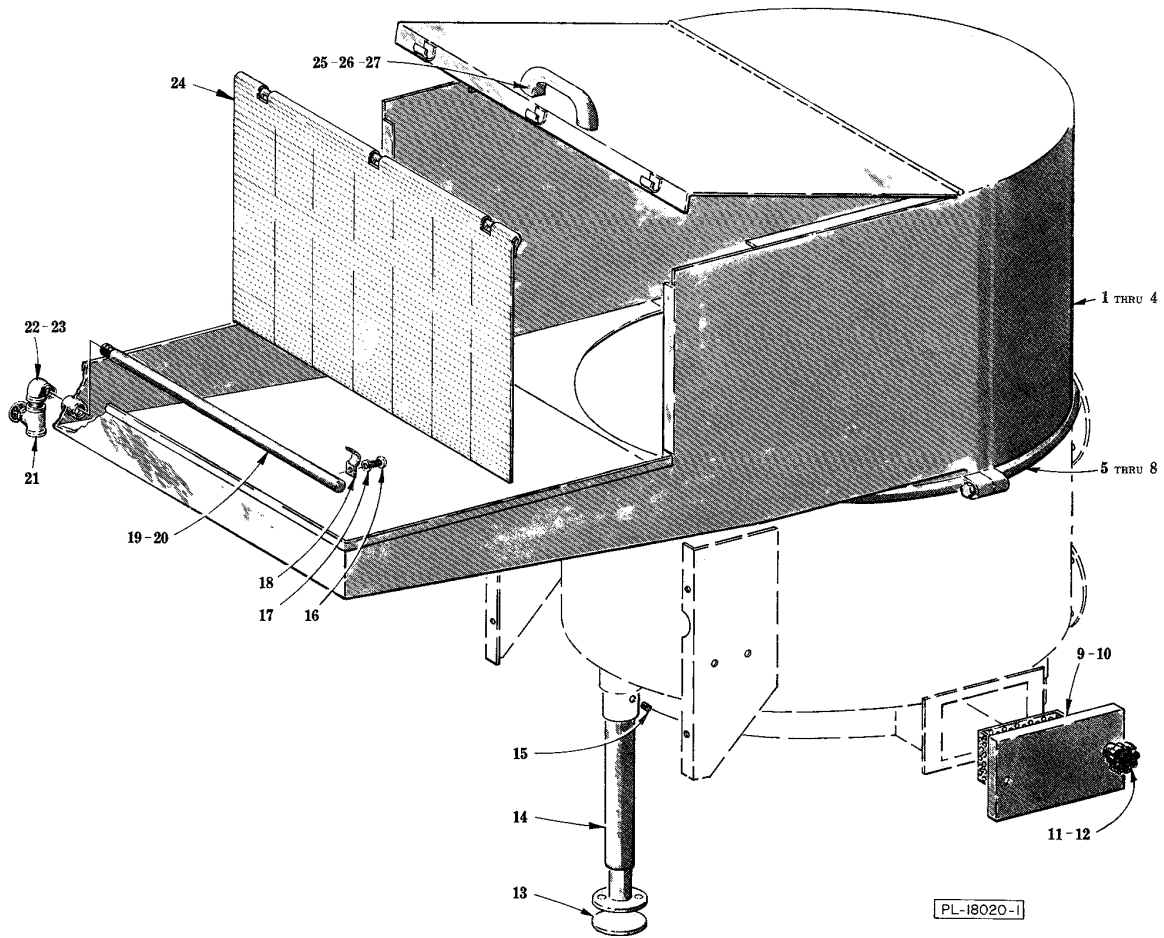
***Use 00-563352-00016 (Item 16) For Single Phase Applications**

PL-61588

OVERLOAD RELAY CHART

OVERLOAD RELAY CHART

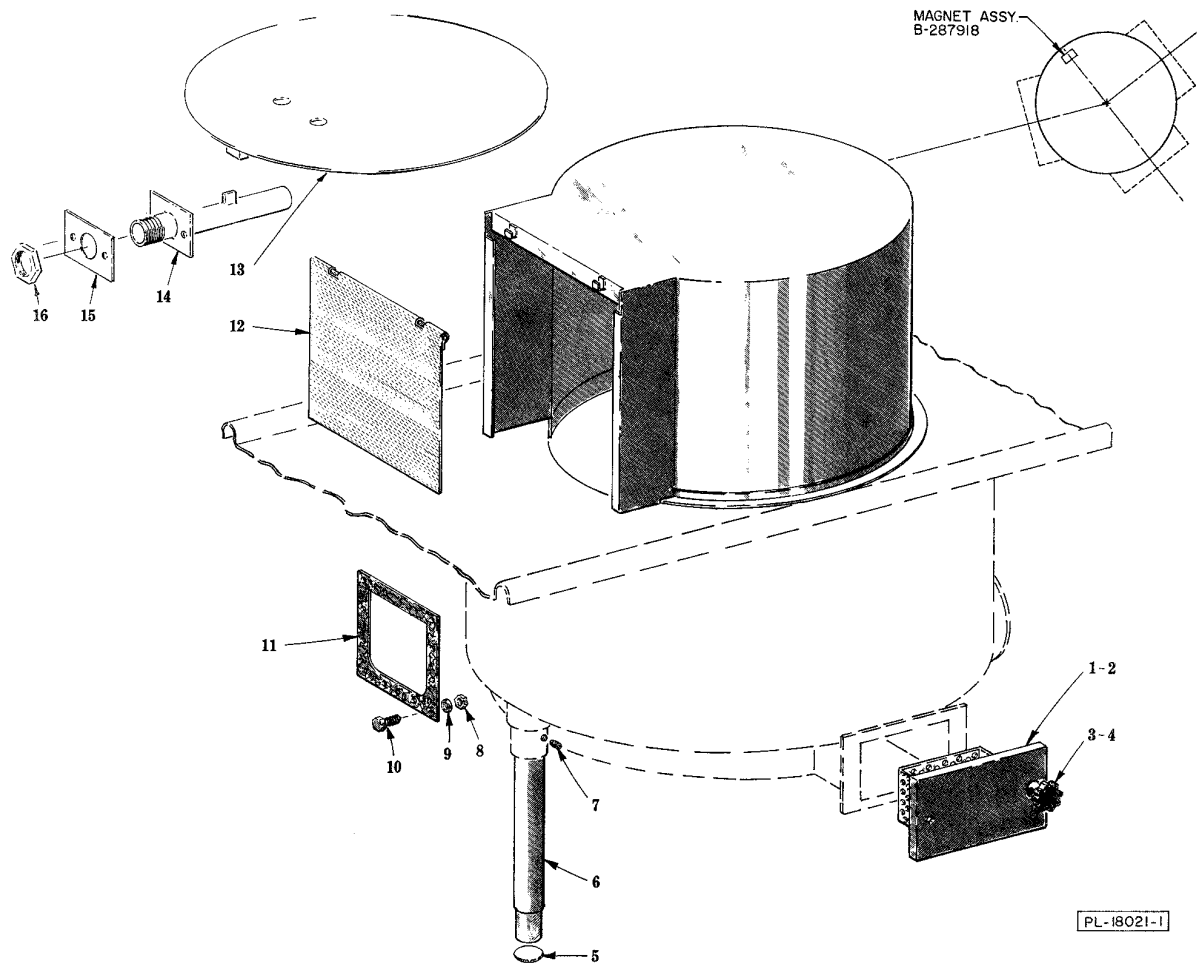
ILLUS.	PART NO.	NAME OF PART	AMT.
PL-61588			
1	00-563352-00001	Relay - Thermal Overload.....	AR
2	00-563352-00002	Relay - Thermal Overload.....	AR
3	00-563352-00003	Relay - Thermal Overload.....	AR
4	00-563352-00004	Relay - Thermal Overload.....	AR
5	00-563352-00005	Relay - Thermal Overload.....	AR
6	00-563352-00006	Relay - Thermal Overload.....	AR
7	00-563352-00007	Relay - Thermal Overload.....	AR
8	00-563352-00008	Relay - Thermal Overload.....	AR
9	00-563352-00009	Relay - Thermal Overload.....	AR
10	00-563352-00010	Relay - Thermal Overload.....	AR
11	00-563352-00011	Relay - Thermal Overload.....	AR
12	00-563352-00012	Relay - Thermal Overload.....	AR
13	00-563352-00013	Relay - Thermal Overload.....	AR
14	00-563352-00014	Relay - Thermal Overload.....	AR
15	00-563352-00015	Relay - Thermal Overload.....	AR
16	00-563352-00016	Kit - Jumper Wires (1Ph.).....	AR



**PULPER HOUSING UNIT
(FREE STANDING)**

**PULPER HOUSING UNIT
(FREE STANDING)**

ILLUS.	PART NO.	NAME OF PART	AMT.
	PL-18020-1		
1	216748	Feed Hood & Tray Assy. (Std.).....	1
2	222933-3	Feed Hood & Tray Assy. (Spray Rinse R-L)(Incls. items 1 & 16 thru 23).....	1
3	222933-4	Feed Hood & Tray Assy. (Spray Rinse L-R)(Incls. items 1 & 16 thru 23).....	1
4	223776	Feed Hood & Tray Assy. (Short).....	1
5	222569-3	Retainer - Feed Hood.....	1
6	SC-112-76	Cap Screw 5/16-18 x 2-3/4 Hex Hd.....	1
7	WS-26-2	Washer.....	1
8	223549-2	Gasket 1/8 x 1/2.....	1
9	223660	Trash Box Cover Assy. (Incls. items 10, 11 & 12).....	1
10	223659	Gasket - Cover.....	1
11	216601	Knob & Stud Assy.....	2
12	RR-6-23	Retaining Ring.....	2
13	223063-3	Pad - Vibration.....	4
14	223203-2	Leg & Floor Flange.....	4
15	SC-46-63	NLA - Obsolete--Set Screw - 3/8"-16 x 1/4" Hdls., Cup Pt.....	4
16	SC-21-23	Mach. Screw 10-24 x 1/2 Rd. Hd.....	1
17	WL-6-7	Lock Washer - 10 Medium.....	1
18	223212-1	Clamp 1/2 Pipe.....	1
19	222934-2	1/2 Rinse Pipe Assy.....	1
20	223515	NLA - Obsolete--Nozzle.....	AR
21	FP-77-37	Valve 1/2 Globe.....	1
22	FP-40-42	Nipple 1/2 x 1-1/8 Lg. (T.B.E.).....	1
23	FP-15-17	Elbow 1/2 x 90 Degree Street.....	1
24	222244-2	Curtain & Rod Assy.....	1
25	222559	Handle.....	1
26	SC-21-22	Mach. Screw 10-24 x 3/8 Rd. Hd.....	2
27	WL-14-7	Lock Washer 10 Ext. Shakeproof.....	2



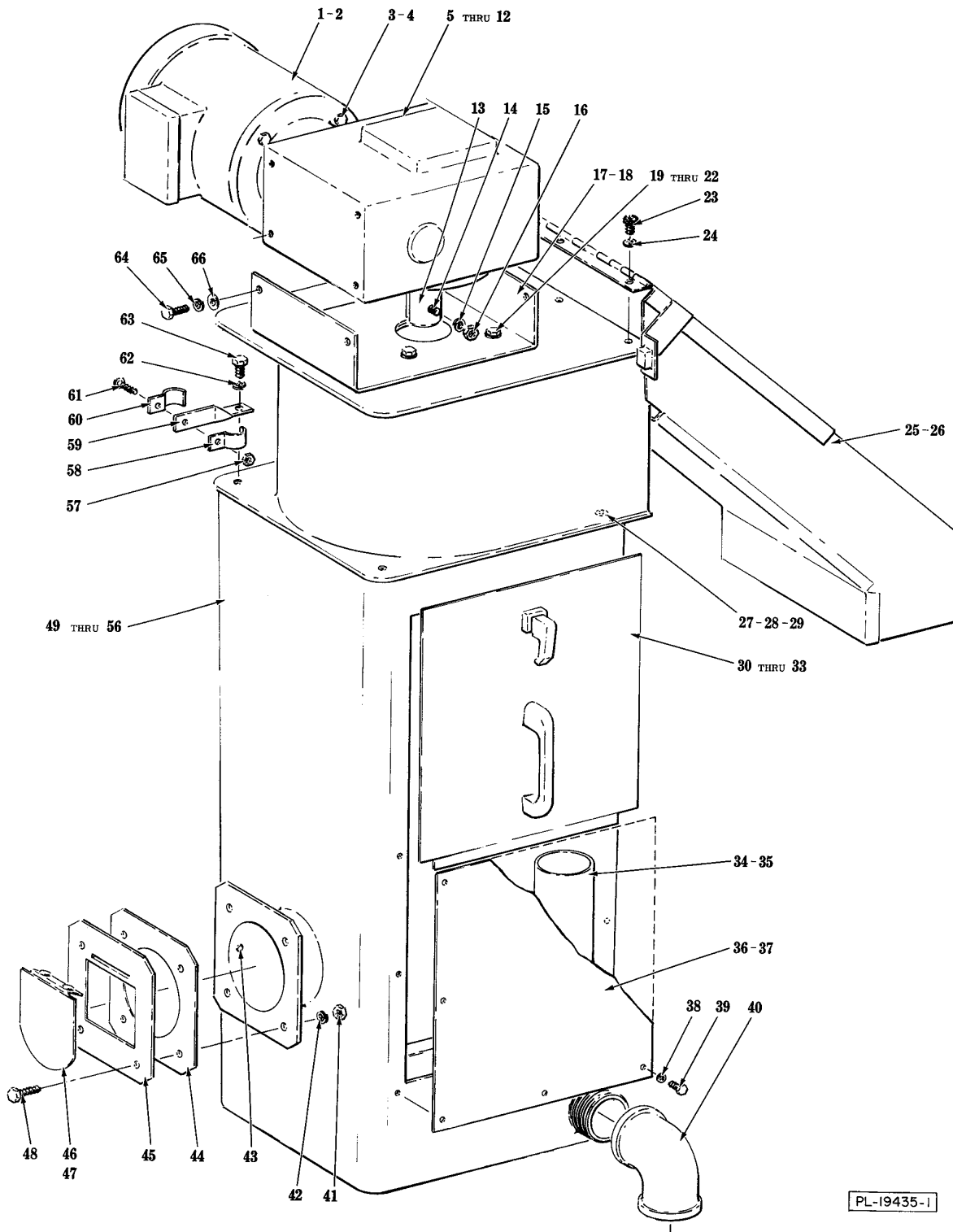
**PULPER HOUSING
(UNDER COUNTER)**

**PULPER HOUSING
(UNDER COUNTER)**

ILLUS.	PART NO.	NAME OF PART	AMT.
PL-18021-1			
1	223660	Trash Box Cover Assy. (Incls. items 2, 3 & 4).....	1
2	223659	Gasket - Cover.....	1
3	216601	Knob & Stud Assy.....	2
4	RR-6-23	Retaining Ring.....	2
5	223063-2	Pad - Vibration.....	4
6	223203-1	Leg - Bullet Foot.....	4
7	SC-46-63	NLA - Obsolete--Set Screw - 3/8"-16 x 1/4" Hdls., Cup Pt.....	4
8	NS-15-1	Full Nut 1/4-20 Hex Fin.....	11
9	WL-6-17	Lock Washer 1/4 Medium.....	11
10	SC-41-1	Cap Screw 1/4-20 x 3/4 Hex Hd.....	11
11	222974-1	Gasket - Feed Trough.....	1
12	222243-4	Curtain & Rod Assy.....	1
13	287867	Cover Plate & Magnet Assy.....	1
14	287881-2	Probe & Switch Assy.....	1
15	287841	Plate - Probe & Switch.....	1
16	FE-6-7	Lock Nut 1/2 Pipe.....	2

PULPER MOTOR UNIT

ILLUS.	PART NO.	NAME OF PART	AMT.
PL-19434			
1	223193-1	Motor (200 V., 60 Hz.) (3 Ph.).....	1
2	223193-2	Motor (230/460 V., 60 Hz.; 200 V., 50 Hz.) (3 Ph.).....	1
3	SC-41-44	Cap Screw 1/2-13 x 1-1/4 Hex Hd.....	6
4	WL-6-35	Lock Washer 1/2 Light.....	6
5	222353-4	Shim - Motor (.037" Thk.).....	AR
6	222353-5	Shim - Motor (.062" Thk.).....	AR
7	222353-6	Shim - Motor (.010" Thk.).....	AR
8	222353-7	Shim - Motor (.008" Thk.).....	AR
9	222353-8	Shim - Motor (.005" Thk.).....	AR
10	SC-41-1	Cap Screw 1/4-20 x 3/4 Hex Hd.....	4
11	WL-6-17	Lock Washer 1/4 Medium.....	4
12	216895-3	Retainer - Seal.....	1
13	SC-41-26	Cap Screw 3/8-16 x 1/2 Hex Hd.....	4
14	WL-6-28	Lock Washer 3/8 Medium.....	4
15	216934-2	Vane - Pumping.....	2
16	WL-6-17	Lock Washer 1/4 Medium.....	AR
17	SC-59-28	Cap Screw 1/4-20 x 3/8 Soc. Fil. Hd.....	AR
18	216897-2	Baffle.....	3
19	222376-7	Gasket 6 O.D.....	1
20	223199-1	Splash Guard Assy.....	1
21	222343-1	Shim - Retarder (.037" Thk.).....	AR
22	222343-2	Shim - Retarder (.062" Thk.).....	AR
23	222343-3	Shim - Retarder (.125" Thk.).....	AR
24	222343-4	Shim - Retarder (.010" Thk.).....	AR
25	216943-1	Retarder.....	3
26	WL-6-28	Lock Washer 3/8 Medium.....	6
27	SC-59-38	Cap Screw 3/8-16 x 1-1/4 Soc. Fil. Hd.....	6
28	SC-110-36	Cap Screw 3/8-16 x 1 Hex Flat Hd. (SST).....	3
29	SC-59-36	Cap Screw 3/8-16 x 1 Soc. Fil. Hd.....	1
30	WL-6-28	Lock Washer 3/8 Medium.....	1
31	216929-3	Cap.....	1
32	SC-59-34	Cap Screw 3/8-16 x 5/8 Soc. Fil. Hd.....	4
33	289367-2	Pulsing Vane Assy.....	2
34	216501	Pulping Disc Assy.....	1
35	222271-8	Key.....	1
36	289344-2	Hub.....	1
37	291947-2	Sizing Ring Assy.....	1
38	223422	Seal - Mechanical.....	1
39	FE-18-35	NLA - Obsolete--Clamp 3/4 Conduit.....	1
40	FE-18-24	NLA - Obsolete--Clamp 1/2 Conduit.....	1
41	SC-21-22	Mach. Screw 10-24 x 3/8 Rd. Hd.....	7
42	WL-6-7	Lock Washer 10 Medium.....	7
43	WS-28-8	Washer.....	7



DISCHARGE AND WATER PRESS HOUSING

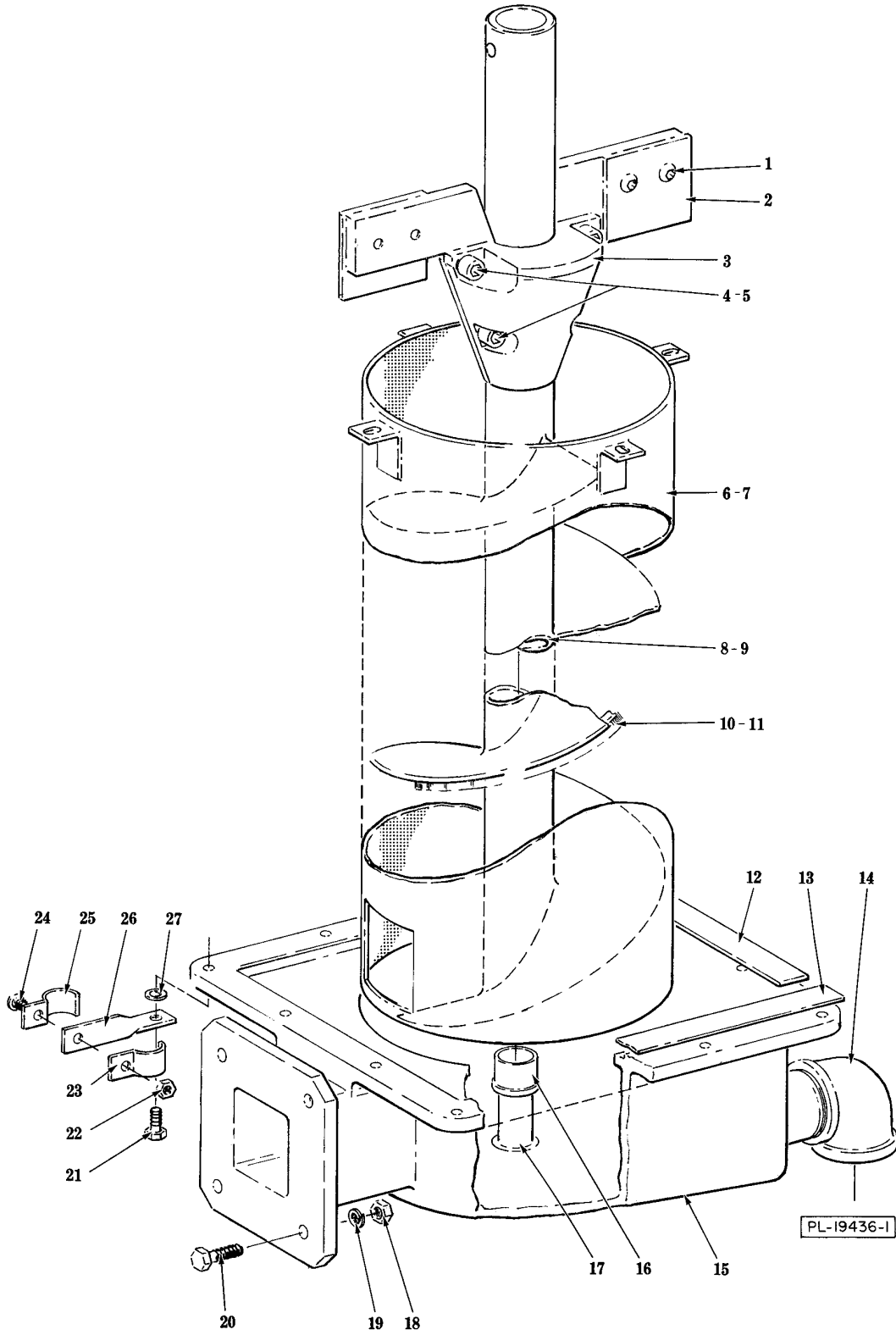
DISCHARGE AND WATER PRESS HOUSING

ILLUS.	PART NO.	NAME OF PART	AMT.
	PL-19435-1		
1	223476-1	Motor (200/400 V., 60 Hz.).....	1
2	223476-4	Motor (230/460 V., 60 Hz./200 V. 50 Hz.).....	1
3	SC-36-54	Cap Screw 3/8-16 x 1 Hex Hd.....	4
4	WL-4-3	Lock Washer 3/8 Medium.....	4
5	289413-1	Reducer - Gear (L-R Operation) Reliance.....	1
6	289413-2	NLA - Obsolete--Reducer - Gear (R-L Operation) Reliance.....	1
7	289417-1	Reducer - Gear (L-R Operation) Sterling or Grove.....	1
8	289417-2	Reducer - Gear (R-L Operation) Sterling or Grove.....	1
9	223728	Seal - Oil (1-1/4 I.D.) Reliance.....	1
10	223728-2	Seal - Oil (1-5/16 I.D.) Sterling or Grove.....	1
11	223729	Seal - Oil (1-3/8 I.D.) Reliance.....	1
12	223729-2	Seal - Oil (1-3/8 I.D.) Sterling or Grove.....	1
13	223722	Sleeve - Shaft.....	1
14	SC-37-43	Cap Screw 1/2-13 x 2-1/2 Hex Hd.....	1
15	WL-6-36	Lock Washer 1/2 Medium.....	1
16	NS-15-20	Full Nut 1/2-13 Hex Fin.....	1
17	289427-1	Bracket - Gear Reducer (Use with 289413).....	1
18	289427-2	Bracket - Gear Reducer (Use with 289417).....	1
19	SC-41-30	Cap Screw 3/8-16 x 1 Hex Hd.....	4
20	WL-6-28	Lock Washer 3/8 Medium.....	4
21	WS-18-37	Washer.....	4
22	NS-15-13	Full Nut 3/8-16 Hex Fin.....	4
23	SC-67-27	Mach. Screw 1/4-20 x 3/8 Hex Hd.....	3
24	WL-6-17	Lock Washer 1/4 Medium.....	3
25	291904-2	Chute - Weldment (R-L).....	1
26	291904-4	Chute - Weldment (L-R).....	1
27	216042-1	Discharge Housing (Std.).....	1
28	216042-2	Discharge Housing (Thru Wall Chute).....	1
29	SC-110-34	Cap Screw 1/4-20 x 1/2 Hex Flat Hd. (SST).....	2
30	216070	Removable Cover Assy. (Std.) (Incls. item 32).....	1
31	216072	NLA - Obsolete--Removable Cover Assy. (Hi-Profile) (Incls. item 33).....	1
32	222954-1	Access Cover & Gasket (Std.).....	1
33	222954-2	Access Cover & Gasket (Hi-Profile).....	1
34	222434-3	Tube - Overflow.....	1
35	222565-3	Clamp - Tube.....	1
36	222194-4	NLA - Obsolete--Cover (Stationary) (Std.).....	1
37	222006-2	Cover (Stationary) (Hi-Profile).....	1
38	223535	Washer - Sealing.....	AR
39	SC-41-50	Cap Screw 1/4-20 x 1/2 Hex Hd.....	AR
40	FP-14-37	NLA - Obsolete--Elbow 2 x 90 Degree.....	1
41	NS-15-13	Full Nut 3/8-16 Hex Fin.....	4
42	WL-6-28	Lock Washer 3/8 Medium.....	4
43	FP-28-7	Pipe Plug 1/4 Sq. Hd.....	1
44	291892	Gasket - Check Gate.....	1
45	291893	Frame - Check Gate.....	1
46	291897	Gate - Check.....	1
47	288174	Button - Bumper.....	2
48	SC-41-30	Cap Screw 3/8-16 x 1 Hex Hd.....	4
49	216026-2	Shell (R.H.) (Low Profile).....	1
50	222923-6	Shell (L-R Recirculating Pump) (Low Profile).....	1
51	216353-2	Shell (L.H.) (Low Profile).....	1
52	222922-7	Shell (R-L Recirculating Pump) (Low Profile).....	1
53	216028-2	Shell (R.H.) (Hi-Profile).....	1
54	222923-8	Shell (L-R Recirculating Pump) (Hi-Profile).....	1
55	216354-2	Shell (L.H.) (Hi-Profile).....	1

DISCHARGE AND WATER PRESS HOUSING

ILLUS.	PART NO.	NAME OF PART	AMT.
	PL-19435-1		
56	222922-8	Shell (R-L Recirculating Pump) (Hi-Profile).....	1
57	NS-15-1	Full Nut 1/4-20 Hex Fin.....	2
58	FE-18-35	NLA - Obsolete--Clamp 3/4 Conduit.....	1
59	222431-1	Bracket - Conduit Clamp.....	1
60	FE-18-35	NLA - Obsolete--Clamp 3/4 Conduit.....	1
61	SC-21-39	Mach. Screw 1/4-20 x 5/8 Rd. Hd.....	1
62	WL-6-17	Lock Washer 1/4 Medium.....	1
63	SC-41-5	Cap Screw 1/4-20 x 5/8 Hex Hd.....	2
64	SC-41-28	Cap Screw 3/8-16 x 3/4 Hex Hd.....	4
65	WL-6-28	Lock Washer 3/8 Medium.....	4
66	WS-18-37	Washer.....	4

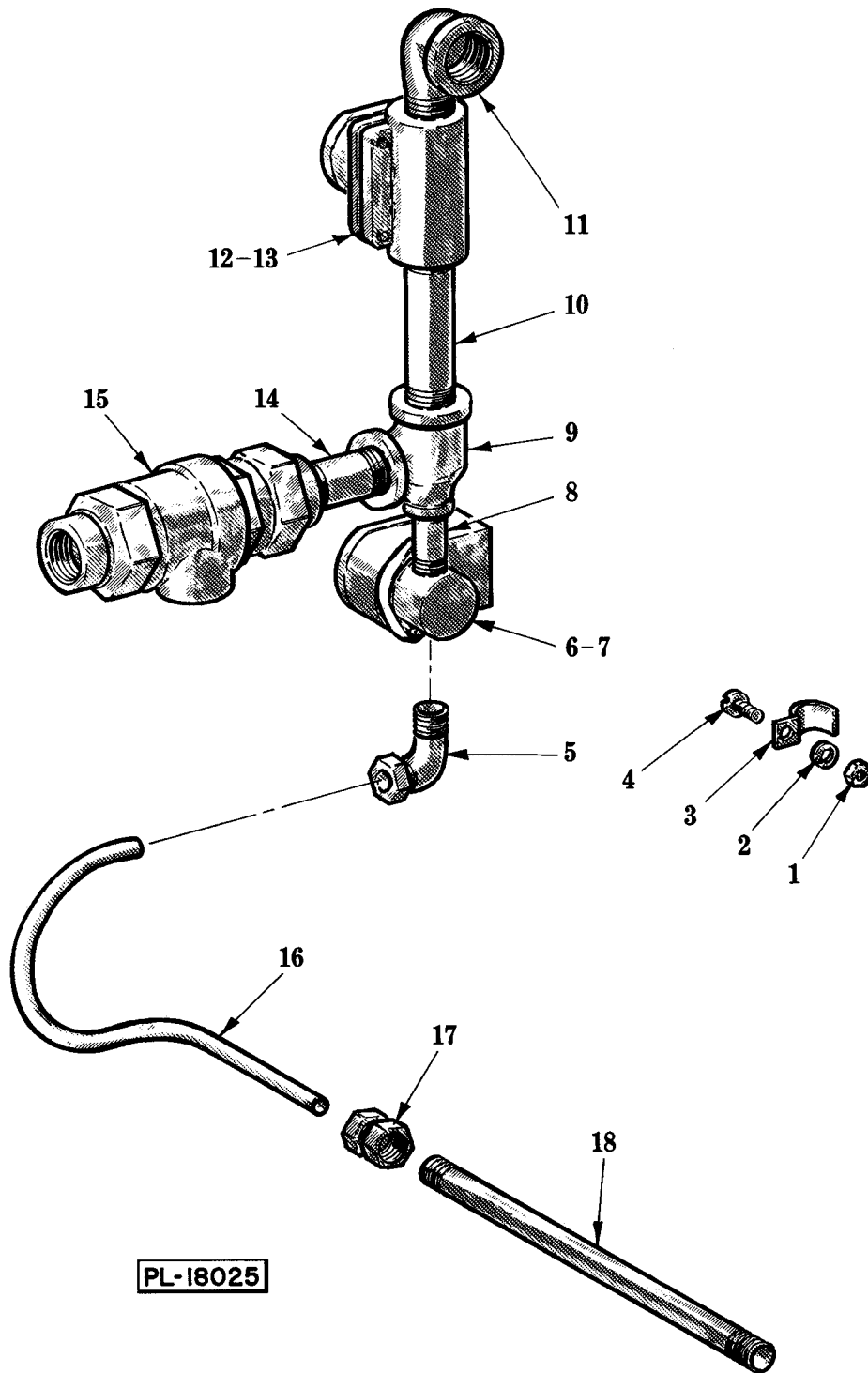
NOTES



WATER PRESS UNIT

WATER PRESS UNIT

ILLUS.	PART NO.	NAME OF PART	AMT.
	PL-19436-1		
1	SC-85-19	Cap Screw 5/16-18 x 5/8 Soc. Button Hd.....	4
2	222361-3	Plate - Wiper.....	2
3	222420	Cone - Compression.....	1
4	SC-59-32	Cap Screw 5/16-18 X 1 Soc. Fil. Hd.....	4
5	WL-6-23	Lock Washer 5/16 Medium.....	4
6	216017	Screen Assy. (Std.).....	1
7	216019	Screen Assy. (Hi-Profile).....	1
8	216046	Screw Assy. (Std.).....	1
9	216048	Screw Assy. (Hi-Profile).....	1
10	222562-10	Brush - Screw (Std.).....	1
11	222562-11	Brush - Screw (Hi-Profile).....	1
12	222968-1	Gasket 1/8 x 1 x 10-1/2.....	2
13	222968-2	Gasket 1/8 x 1 x 12-1/2.....	2
14	FP-14-37	NLA - Obsolete--Elbow 2 x 90 Degree.....	2
15	291885	Base - Slurry Inlet.....	1
16	222424-1	Bearing - Screw.....	1
17	291934-1	Pin - Guide.....	1
18	NS-15-13	Full Nut 3/8-16 Hex Fin.....	4
19	WL-6-28	Lock Washer 3/8 Medium.....	4
20	SC-41-30	Cap Screw 3/8-16 x 1 Hex Hd.....	4
21	SC-41-5	Cap Screw 1/4-20 x 5/8 Hex Hd.....	12
22	NS-15-1	Full Nut 1/4-20 Hex Fin.....	1
23	FE-18-35	NLA - Obsolete--Clamp 3/4 Conduit.....	1
24	SC-21-39	Mach. Screw 1/4-20 x 5/8 Rd. Hd.....	1
25	FE-18-35	NLA - Obsolete--Clamp 3/4 Conduit.....	1
26	222431-1	Bracket - Conduit Clamp.....	1
27	223535	Washer - Sealing.....	12
	216258-1	Compression Cone Assy. (Incls. items 1 thru 5).....	1

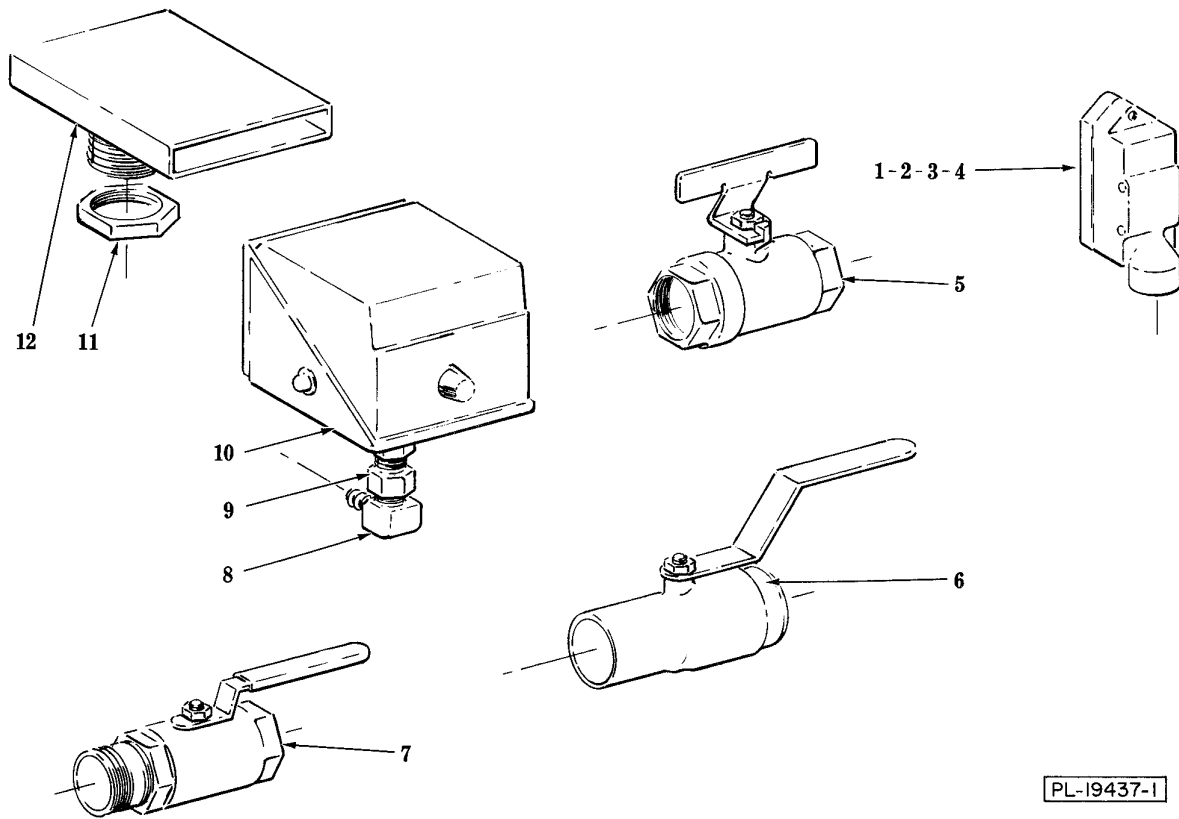


FRESH WATER AND SEAL FLUSH SUPPLY LINES

FRESH WATER AND SEAL FLUSH SUPPLY LINES

ILLUS.	PART NO.	NAME OF PART	AMT.
PL-18025			
*1	NS-15-1	Full Nut 1/4-20 Hex Fin.....	1
*2	WL-6-17	Lock Washer 1/4 Medium.....	1
*3	FE-18-35	NLA - Obsolete--Clamp 3/4 Conduit.....	1
*4	SC-21-38	Mach. Screw 1/4-20 x 1/2 Rd. Hd.....	1
*5	FP-47-24	Elbow - 90 Degree (1/4 Male Pipe x 1/4 Tube).....	1
6	223650	Solenoid Valve - 1/4 (Incls. item 7).....	1
7	223651	Coil - Solenoid Valve.....	1
8	FP-40-9	NLA - Obsolete--Nipple - 1/4" x 1-1/4" Lg. (T.B.E.).....	1
9	FP-69-14	NLA - Obsolete--Tee 1/2 x 1/4 x 1/2 Reducing.....	1
10	FP-40-62	Nipple 1/2 x 3 Lg. (T.B.E.).....	1
11	FP-15-17	Elbow 1/2 x 90 Degree Street.....	1
12	223461	Solenoid Valve 1/2 (Incls. item 13).....	1
13	223651	Coil - Solenoid Valve.....	1
14	FP-40-45	Nipple 1/2 x 1-1/2 Lg. (T.B.E.).....	1
15	223472	Preventor - Back Flow.....	1
16	223356-2	Tube 1/4.....	1
17	FP-12-10	Connector - Straight (1/8 Female Thd. x 1/4 Tube).....	1
18	FP-40-6	Nipple 1/8 x 7-1/2 Lg. (T.B.E.).....	1

* Under Counter W/Feed Trough & W/O Recirculating Pump.

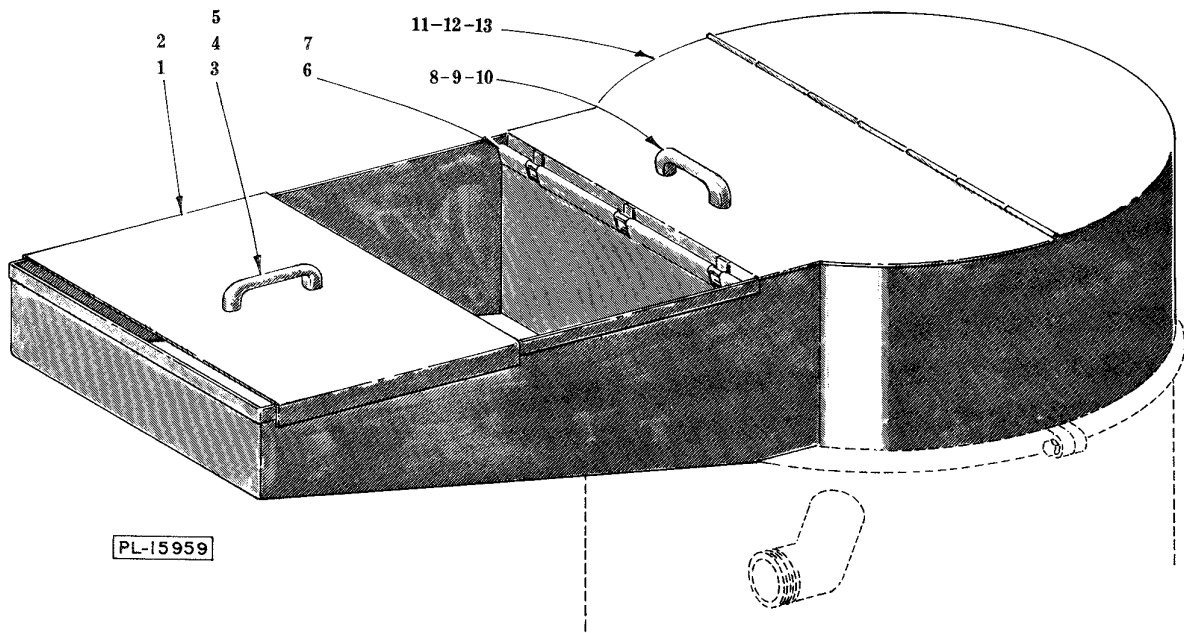


PL-19437-1

MISCELLANEOUS

MISCELLANEOUS

ILLUS.	PART NO.	NAME OF PART	AMT.
PL-19437-1			
1	288961	Switch Housing Assy.....	1
2	288963	Gasket - Switch.....	1
3	288457-2	Switch & Cover Assy.....	1
4	SC-21-15	Mach. Screw 8-32 x 1/2 Rd. Hd.....	2
5	223220-1	Valve 1-1/2 Ball (Pump to Flush Tray).....	1
6	287997-1	Valve 1-1/2 Ball (Solder Joint).....	1
7	291900	2 Ball Valve Assy.....	1
8	122419-1	Elbow 1/4 x 90 Degree (1/4 Tubing).....	1
9	FP-77-74	Snubber.....	1
10	291889	Pressure Switch.....	1
11	FP-30-21	Lock Nut 1-1/2 Pipe.....	1
12	289343	Nozzle Assy.....	1



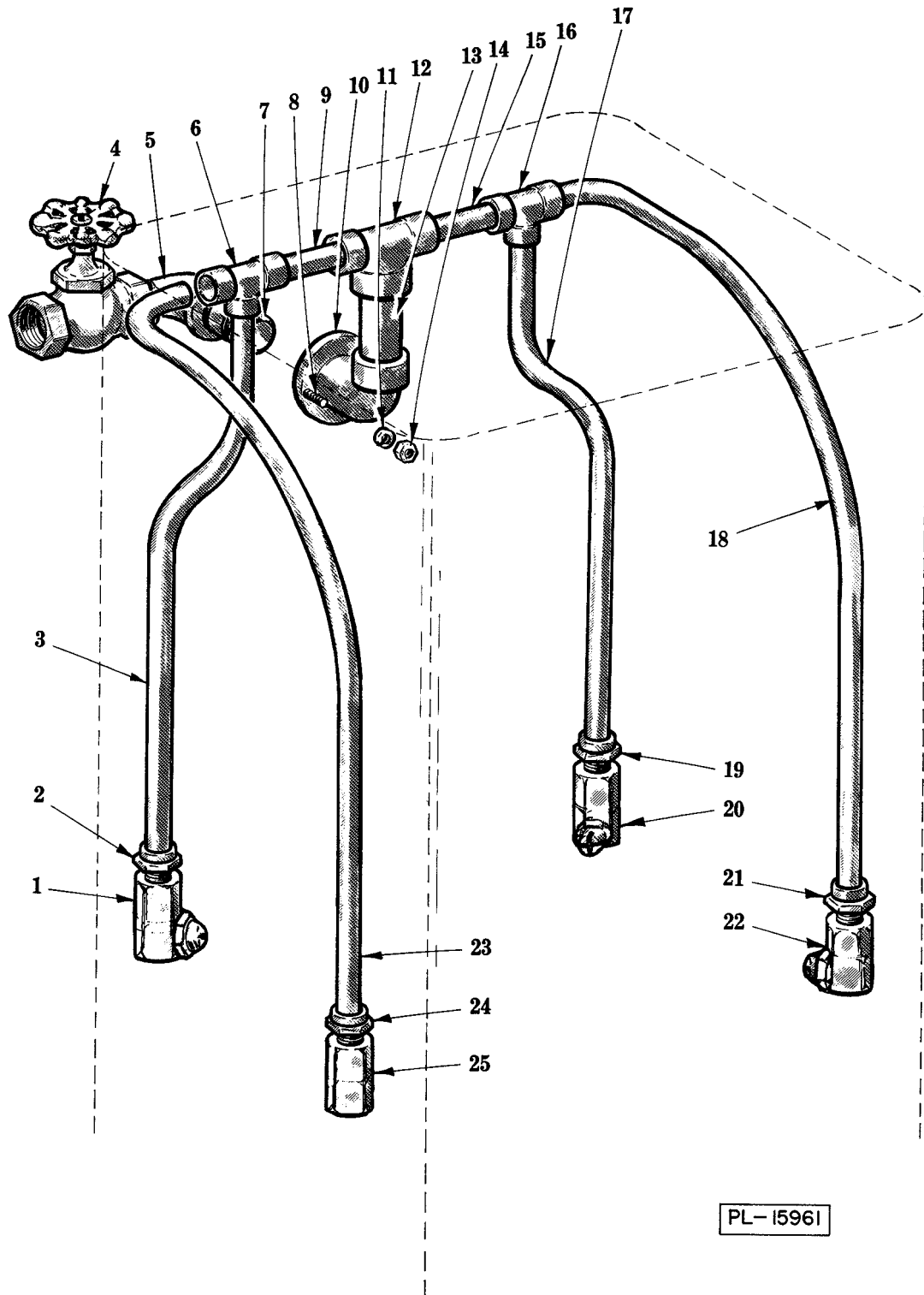
PULPER HOUSING UNIT

PULPER HOUSING UNIT

ILLUS.	PART NO.	NAME OF PART	AMT.
PL-15959A			
1	223428	Cover - Removable (30" Tank).....	1
2	523009	Gasket 1/8 x 3/4 (Give Length).....	AR
3	222559	Handle - Removable Cover.....	1
4	SC-21-22	Mach. Screw 10-24 x 3/8 Rd. Hd.....	2
5	WL-14-7	Lock Washer - 10 Ext. Shakeproof.....	2
6	222245-1	NLA - Obsolete--Curtain - Slatted (7-1/2" Height).....	1
7	222244-1	Curtain - Slatted (H.P.)(Use with Recirculating Pump)(Not Shown).....	2
8	222559	Handle - Feed Hood.....	1
9	SC-21-22	Mach. Screw 10-24 x 3/8 Rd. Hd.....	2
10	WL-14-7	Lock Washer 10 Ext. Shakeproof.....	2
11	216685	Feed Hood/Flushing Tray Assy. (30")(L.P.)(Incls. items 1 thru 5, 8, 9, 10 & 13).....	1
12	223377-2	Feed Hood/Flushing Tray Assy. (30") (H.P.) (Not Shown).....	1
13	523009	Gasket - 1/8 x 3/4 (Give Length).....	AR

RECIRCULATING PUMP PARTS

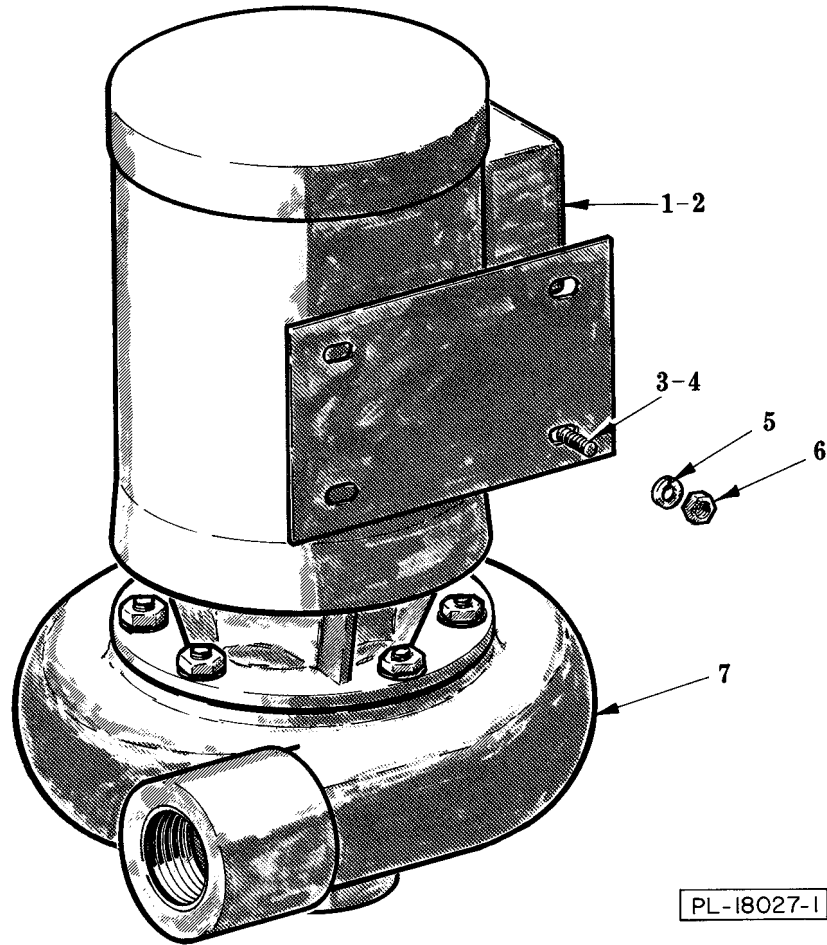
ILLUS.	PART NO.	NAME OF PART	AMT.
PL-18028			
1	223605-10	Adapter.....	1
2	NS-14-11	Full Nut 5/16-18 Hex Fin.....	6
3	WL-5-32	Lock Washer 5/16 Medium.....	6
4	223605-5	Seal Assy. (Incls. item 5).....	1
5	223605-9	Retainer - Seal.....	1
6	223605-6	Clamp.....	1
7	SC-41-18	Cap Screw 5/16-18 X 1-3/4 Hex Hd.....	2
8	223605-2	Key - Impeller.....	1
9	222635-1	Impeller.....	1
10	223605-1	Gasket.....	4
11	223605-4	Stud 5/16-18.....	6
12	FP-28-3	Plug 1/8 Sq. Hd. Pipe.....	1
13	223605-3	Housing - Pump.....	1
14	223605-7	Lock Nut - Impeller.....	1
15	223605-11	Sleeve - Drive.....	1
16	223605-6	Clamp.....	1
17	WL-6-23	Lock Washer 5/16 Medium.....	2
18	NS-15-11	Full Nut 5/16-18 Hex Fin.....	2
19	SC-41-29	Cap Screw 3/8-16 x 7/8 Hex Hd.....	4
20	WL-6-28	Lock Washer 3/8 Medium.....	4
21	289334	Guard - Clamp.....	1



SCREEN FLUSH UNIT

SCREEN FLUSH UNIT

ILLUS.	PART NO.	NAME OF PART	AMT.
PL-15961A			
1	223517	Nozzle - Spray (1/8 Thd.).....	1
2	223505	Adapter - Male (1/4 Tube x 1/8 Male Pipe).....	1
3	223367-4	Tube 1/4 x 6-1/2 Lg.....	1
4	FP-77-37	Valve 1/2 Globe.....	1
5	FP-15-17	Elbow 1/2 x 90 Degree Street.....	1
6	223366-1	Tee 1/4 Tube.....	1
7	FP-40-45	Nipple 1/2 x 1-1/2 Lg. (T.B.E.).....	1
8	SC-21-23	Mach. Screw 10-24 x 1/2 Rd. Hd.....	2
9	223367-3	Tube 1/4 x 2-1/2 Lg.....	1
10	223365-1	Elbow - 90 Degree (1/2 Tube x 1/2 Female Pipe).....	1
11	WL-6-7	Lock Washer 10 Medium.....	2
12	223366-2	Tee 1/2 Tube x 1/4 Tube x 1/4 Tube Reducing.....	1
13	223367-1	Tube 1/2 X 1-11/16 Lg.....	1
14	NS-11-18	Mach. Nut 10-24 Hex.....	2
15	223367-3	Tube 1/4 x 2-1/2 Lg.....	1
16	223366-1	Tee 1/4 Tube.....	1
17	223367-4	Tube 1/4 x 6-1/2 Lg.....	1
18	223367-6	Tube 1/4 x 16 Lg.....	1
19	223505	Adapter - Male (1/4 Tube x 1/8 Male Pipe).....	1
20	223517	Nozzle - Spray (1/8 Thd.).....	1
21	223505	Adapter - Male (1/4 Tube x 1/8 Male Pipe).....	1
22	223517	Nozzle - Spray (1/8 Thd.).....	1
23	223367-6	Tube 1/4 x 16 Lg.....	1
24	223505	Adapter - Male (1/4 Tube x 1/8 Male Pipe).....	1
25	223517	Nozzle - Spray (1/8 Thd.).....	1



PL-18027-1

RECIRCULATING PUMP UNIT

RECIRCULATING PUMP UNIT

ILLUS.	PART NO.	NAME OF PART	AMT.
	PL-18027-1		
1	223231-1	Motor (200 V. 60 Hz.).....	1
2	223231-2	Motor (230/460 V. 60 Hz./200 V. 50 Hz.).....	1
3	SC-41-11	Cap Screw 5/16-18 x 3/4 Hex Hd.....	4
4	WS-5-39	Washer.....	4
5	WL-6-23	Lock Washer 5/16 Medium.....	4
6	NS-15-11	Full Nut 5/16-18 Hex Fin.....	4
7	223474	Pump Assy. (See separate page for Pump Parts).....	1

