



CATALOG OF REPLACEMENT PARTS



Cle / CLeN BLOWER DRYER

CLe / CLeN - ELECTRIC HEAT

ML-138211 (R-L)	ML-138212 (L-R)
ML-138213 (R-L)	ML-138214 (L-R)
ML-138215 (R-L)	ML-138216 (L-R)
ML-138217 (R-L)	ML-138218 (L-R)

CLeR - ELECTRIC HEAT

ML-138325 (R-L)	ML-138326 (L-R)
ML-138327 (R-L)	ML-138328 (L-R)
ML-138329 (R-L)	ML-138330 (L-R)
ML-138331 (R-L)	ML-138332 (L-R)

CLe / CLeN - STEAM HEAT

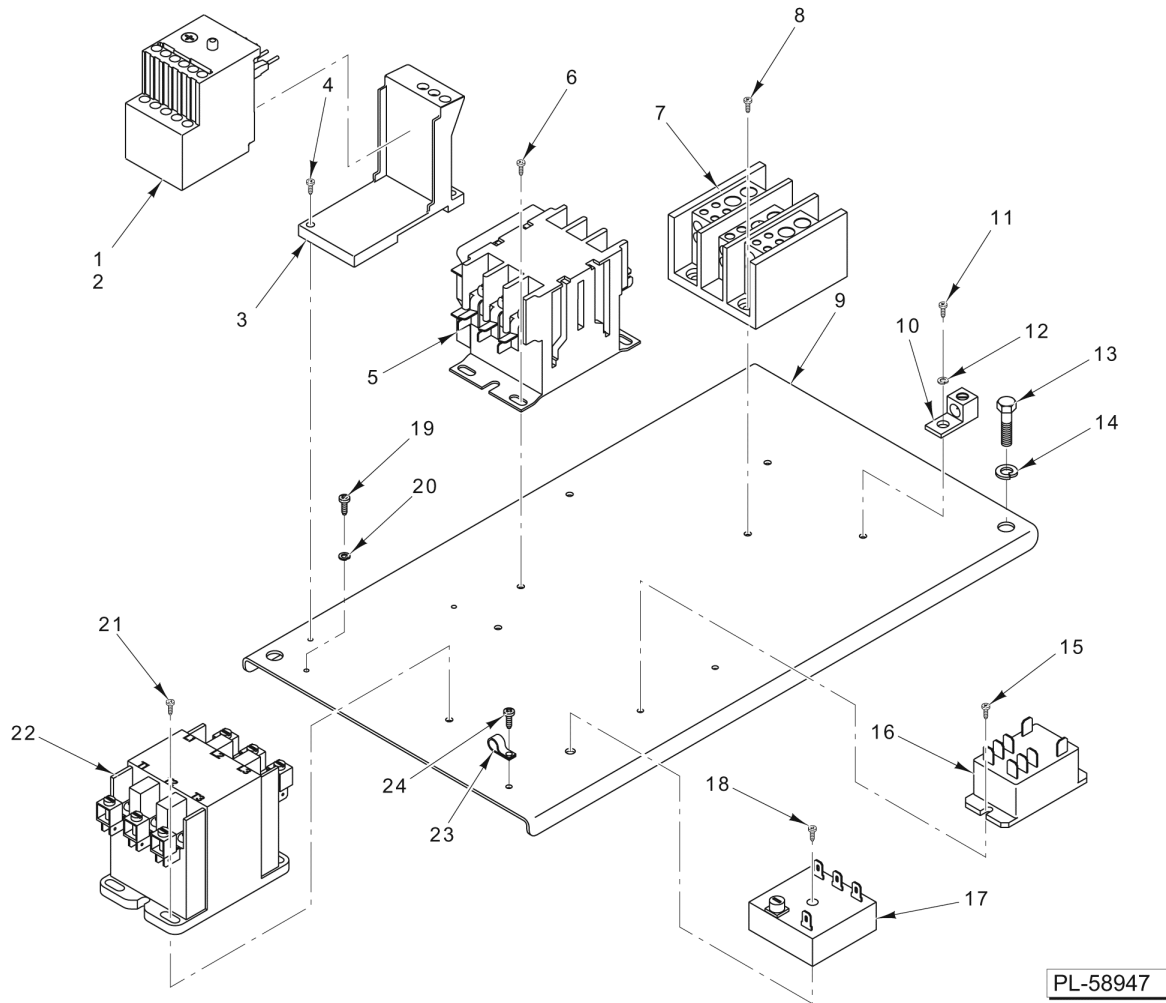
ML-138226 (R-L)	ML-138227 (L-R)
ML-138228 (R-L)	ML-138229 (L-R)
ML-138230 (R-L)	ML-138231 (L-R)
ML-138232 (R-L)	ML-138233 (L-R)

CLeR - STEAM HEAT

ML-138333 (R-L)	ML-138334 (L-R)
ML-138335 (R-L)	ML-138336 (L-R)
ML-138337 (R-L)	ML-138338 (L-R)
ML-138339 (R-L)	ML-138340 (L-R)

Table of Contents

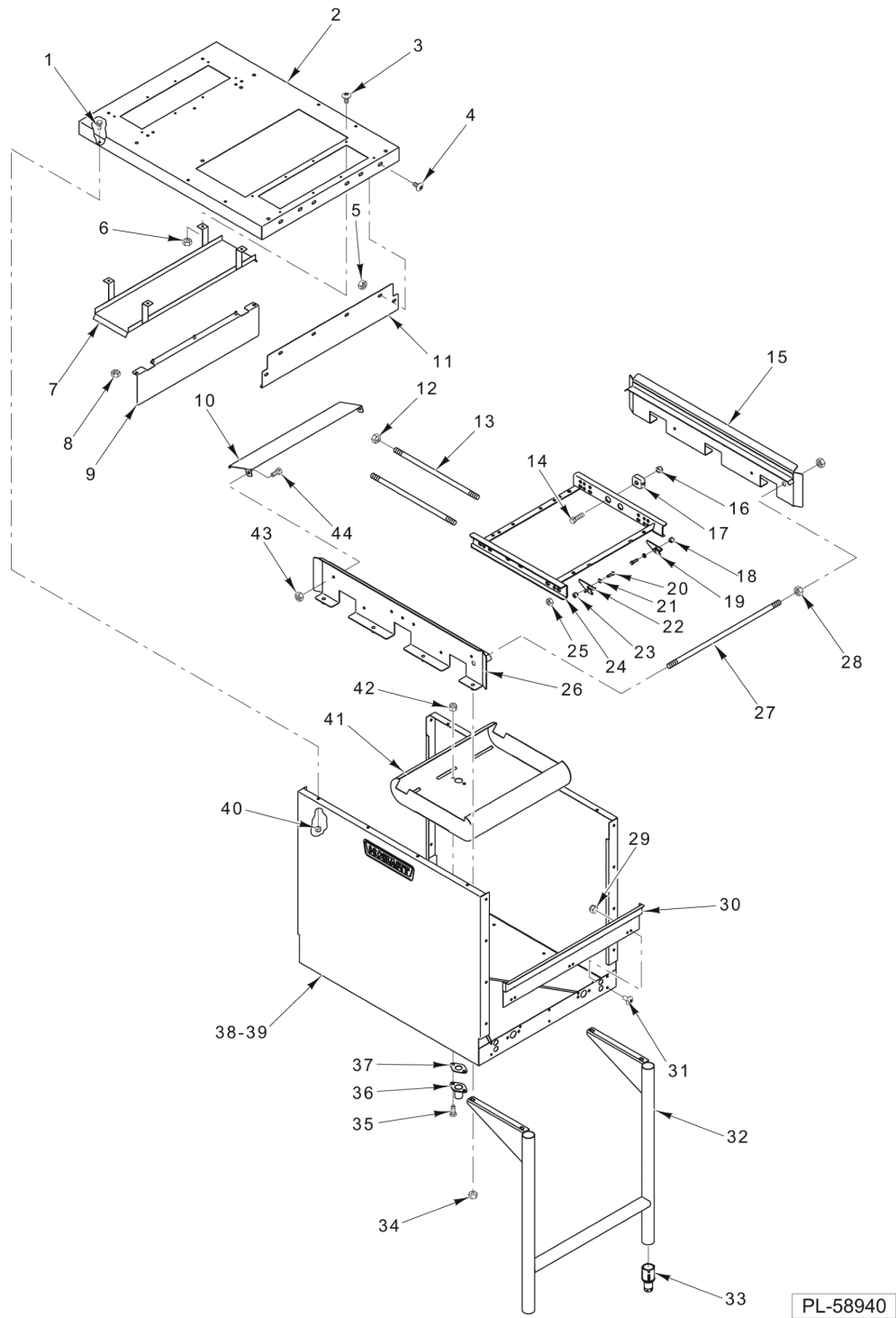
5	ELECTRICAL COMPONENTS
7	TRACK AND CRADLE
9	TRACK AND CRADLE (ENERGY RECOVERY MODELS)
11	BLOWER BOX ASSEMBLY
13	STEAM HEAT
15	ELECTRIC HEAT



ELECTRICAL COMPONENTS

ELECTRICAL COMPONENTS

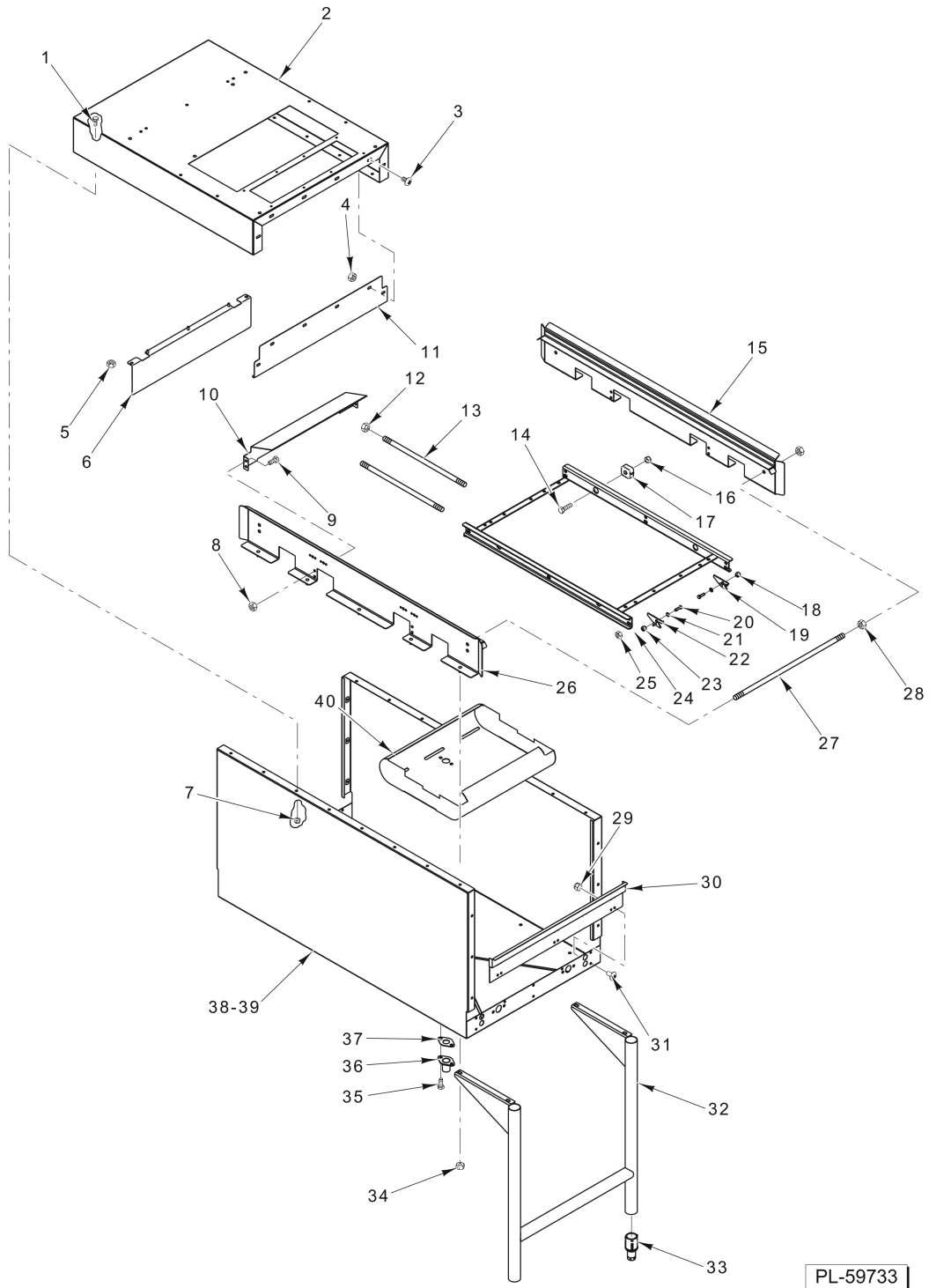
ILLUS.	PART NO.	NAME OF PART	AMT.
PL-58947			
1	00-936784-00001	Overload - Motor Relay (480 V.).....	1
2	00-936784-00002	Overload - Motor Relay (208-240 V.).....	1
3	00-936784-00003	Bracket - Motor Relay.....	1
4	SD-038-02	Self-Tapping Screw 6-20 x 5/8 Phil. Pan Hd. Type B.....	2
5	00-087713-039-2	Contact (3 Pole, 30 Amp.) With Auxiliary Switch.....	1
6	SD-008-25	Self-Tapping Screw 10-16 x 1/2 Phil. Pan Hd. Type B.....	2
7	00-119031	Block - Terminal.....	1
8	SD-008-25	Self-Tapping Screw 10-16 x 1/2 Phil. Pan Hd. Type B.....	2
9	00-936761	Plate - Blower Dryer Base.....	1
10	00-118544-00002	Lug - Solderless.....	1
11	SD-008-25	Self-Tapping Screw 10-16 x 1/2 Phil. Pan Hd. Type B.....	1
12	WL-014-07	Lockwasher #10 (SST).....	1
13	SC-041-02	Cap Screw 1/4-20 x 1 Hex Hd. (SST).....	2
14	WL-006-17	Lockwasher 1/4 Helical (SST).....	2
15	SD-008-18	Self-Tapping Screw 8-18 x 3/8 Phil. Bndg. Hd. Type B.....	2
16	00-087714-042-1	Relay (2-Pole) (120 VAC) (30 Amp.) Relay (2 Pole, 30 Amp.).....	1
17	00-087714-057-1	Relay - Time Delay.....	1
18	SD-036-13	Self-Tapping Screw 1/4-20 x 1 1/4 Hex Washer Hd. Type T.....	1
19	SD-034-59	Self-Tapping Screw 10-32 x 3/8 Pan Hd.....	1
20	WL-007-15	Lockwasher.....	1
21	SD-008-25	Self-Tapping Screw 10-16 x 1/2 Phil. Pan Hd. Type B (Electric Heat Only).....	2
22	00-918322	Contact (3 Pole, 40 Amp.) (Electric Heat Only).....	1
23	00-294677-00002	Clamp - Wire (1/2 In.).....	1
24	SD-008-25	Self-Tapping Screw 10-16 x 1/2 Phil. Pan Hd., Type B.....	1
	00-936774	Cable - Blower Dryer (Not Shown).....	1
	00-936775	Harness - Wiring (Electric Heat).....	1
	00-936776	Harness - Wiring (Steam Heat).....	1



TRACK AND CRADLE

TRACK AND CRADLE

ILLUS. PL-58940	PART NO.	NAME OF PART	AMT.
1	SC-041-05	Cap Screw 1/4-20 x 5/8 Hex Hd. (SST).....	8
2	00-936673	Top - Chamber.....	1
3	SC-041-05	Cap Screw 1/4-20 x 5/8 Hex Hd. (SST).....	4
4	SC-125-85	Mach. Screw 1/4-20 x 5/8 Phil. Truss Hd.....	6
5	NS-031-19	Stop Nut 1/4-20 Hex (SST).....	6
6	NS-031-19	Stop Nut 1/4-20 Hex (SST).....	4
7	00-435799	Shield - Drip Assy.....	1
8	NS-031-19	Stop Nut 1/4-20 Hex (SST).....	3
9	00-936736	Baffle - Blower.....	1
10	00-936693	Baffle End - Tank.....	1
11	00-936676	End - Chamber.....	1
12	NS-046-09	Stop Nut 3/8-16 Hex (SST).....	8
13	00-936815-00001	Rod - X Drive (16 In.).....	2
14	SC-041-14	Cap Screw 5/16-18 x 1-1/8 Hex Hd. (SST).....	4
15	00-936677	Track Assy.....	1
16	NS-031-29	Stop Nut 5/16-18 Hex (SST).....	4
17	00-473232	Slide - Small Slider.....	4
18	00-270983	Spacer - Cradle Dog.....	2
19	00-436704-00001	Dog - Pin Weldment (RH).....	2
20	SC-041-31	Cap Screw 3/8-16 x 1 1/4 Hex Hd. (SST).....	4
21	WS-018-04	Washer (SST).....	4
22	00-436704-00002	Dog - Pin Weldment (LH).....	2
23	00-270983	Spacer - Cradle Dog.....	2
24	00-936811	Cradle - Blower Dryer.....	1
25	NS-046-09	Stop Nut 3/8-16 Hex (SST).....	4
26	00-936677	Track Assy.....	1
27	00-936815-00002	Rod - X Drive (21 In.).....	1
28	NS-046-09	Stop Nut 3/8-16 Hex (SST).....	4
29	NS-031-19	Stop Nut 1/4-20 Hex (SST).....	8
30	00-936670	End - Removeable Tank.....	1
31	SC-125-85	Mach. Screw 1/4-20 x 5/8 Phil. Truss Hd. (SST).....	8
32	00-936786	Leg - Blower H-Frame.....	1
33	00-288946-00002	Foot - Adjustable Hex.....	2
34	NS-031-29	Stop Nut 5/16-18 Hex (SST).....	8
35	SC-041-11	Cap Screw 5/16-18 x 3/4 Hex Hd. (SST).....	2
36	00-936312	Drain - Weldment.....	1
37	00-276407	Gasket - Rinse Pipe.....	1
38	00-936669-00001	Tank - Dryer (STD).....	1
39	00-936669-00002	Tank - Dryer (HTS).....	1
40	NS-031-19	Stop Nut 1/4-20 Hex (SST).....	8
41	00-936731	Deflector - Air.....	1
42	NS-031-29	Stop Nut 5/16-18 Hex (SST).....	2
43	NS-031-19	Stop Nut 1/4-20 Hex (SST).....	2
44	SC-041-05	Cap Screw 1/4-20 x 5/8 Hex Hd. (SST).....	2
	00-936832	Stiffener.....	1

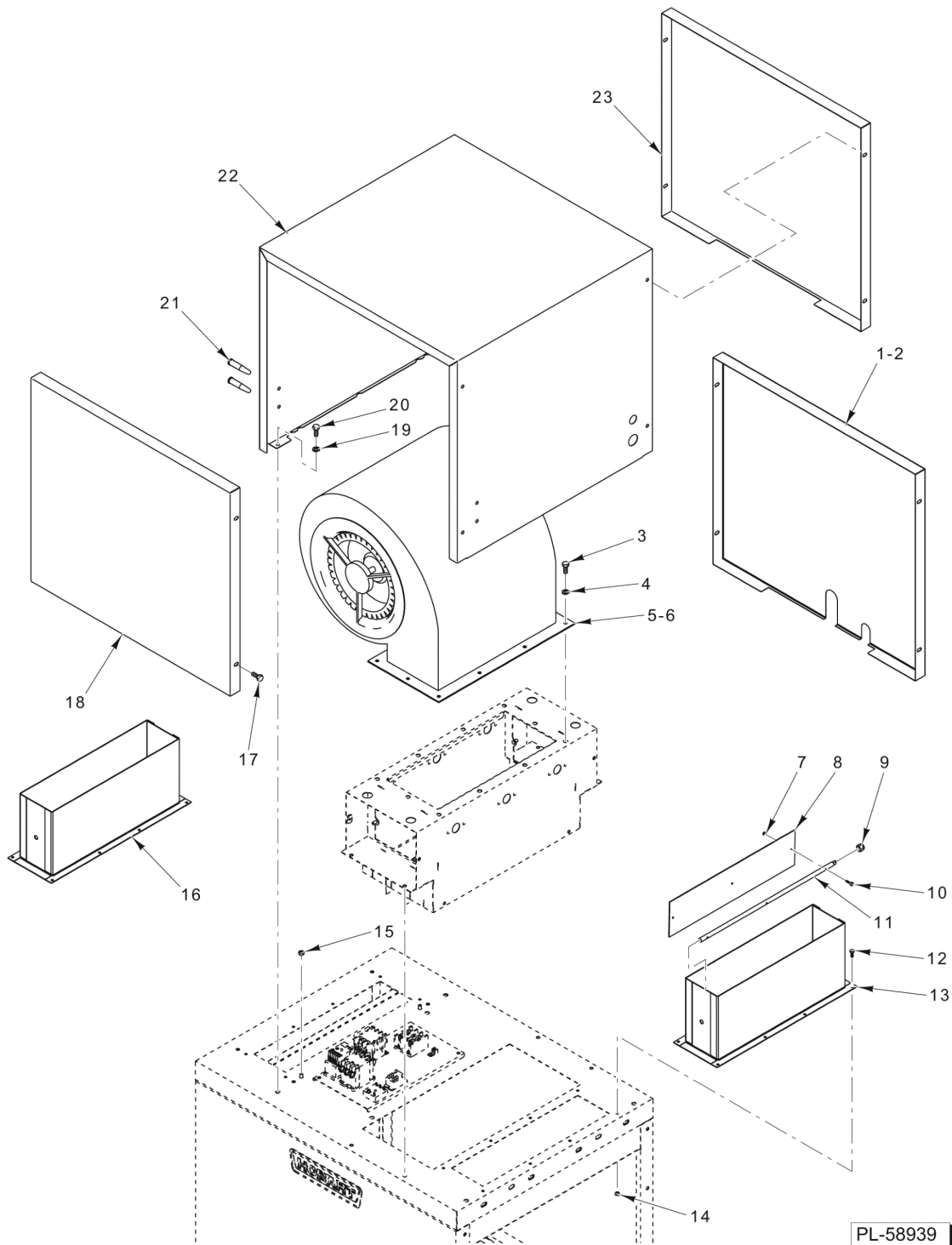


**TRACK AND CRADLE
(ENERGY RECOVERY MODELS)**

Track and Cradle CLeR

**TRACK AND CRADLE
(ENERGY RECOVERY MODELS)**

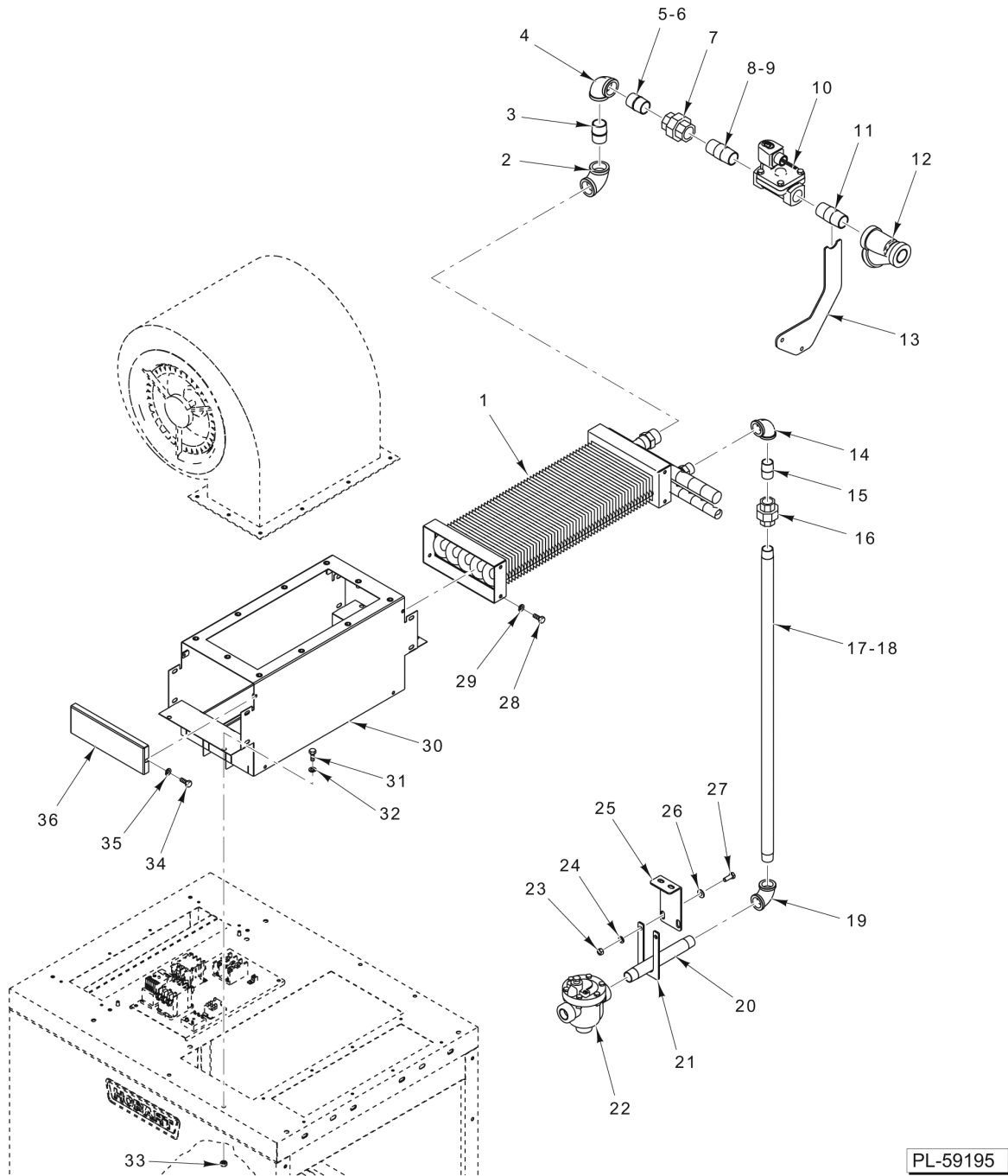
ILLUS. PL-59733	PART NO.	NAME OF PART	AMT.
1	SC-041-05	Cap Screw 1/4-20 x 5/8 Hex Hd. (SST).....	12
2	00-941667	Top - Chamber.....	1
3	SC-125-85	Mach. Screw 1/4-20 x 5/8 Phil. Truss Hd. (SST).....	6
4	NS-031-19	Stop Nut 1/4-20 Hex (SST).....	6
5	NS-031-19	Stop Nut 1/4-20 Hex (SST).....	3
6	00-936736	Baffle - Blower.....	1
7	NS-031-19	Stop Nut 1/4-20 Hex (SST).....	12
8	NS-031-19	Stop Nut 1/4-20 Hex (SST).....	4
9	SC-041-05	Cap Screw 1/4-20 x 5/8 Hex Hd. (SST).....	4
10	00-941666	Baffle End - Tank.....	1
11	00-936676	End - Chamber.....	1
12	NS-046-09	Stop Nut 3/8-16 (SST).....	8
13	00-936815-00001	Rod - X Drive (16 In.).....	2
14	SC-041-14	Cap Screw 5/16-18 x 1-1/8 Hex Hd. (SST).....	4
15	00-941643	Track Assy.....	1
16	NS-031-29	Stop Nut 5/16-18 Hex (SST).....	4
17	00-473232	Slider - Small.....	4
18	00-270983	Spacer.....	3
19	00-436704-00001	Dog Pin (Front R-L; Rear L-R).....	3
20	SC-041-31	Cap Screw 3/8-16 x 1-1/4 Hex Hd. (SST).....	6
21	WS-018-04	Washer (SST).....	6
22	00-436704-00002	Dog Pin (Front L-R; Rear R-L).....	3
23	00-270983	Spacer.....	3
24	00-941649	Cradle - Blower Dryer.....	1
25	NS-046-09	Stop Nut 3/8-16 (SST).....	6
26	00-941643	Track Assy.....	1
27	00-936815-00002	Rod - X Drive (21 In.).....	1
28	NS-046-09	Stop Nut 3/8-16 (SST).....	2
29	NS-031-19	Stop Nut 1/4-20 Hex (SST).....	8
30	00-936670	End - Removeable Tank.....	1
31	SC-125-85	Mach. Screw 1/4-20 x 5/8 Phil. Truss Hd. (SST).....	8
32	00-936786	Leg - Blower H-Frame.....	1
33	00-288946-00002	Foot - Adjustable (1-5/8) (SST).....	2
34	NS-031-29	Stop Nut 5/16-18 Hex (SST).....	10
35	SC-041-11	Cap Screw 5/16-18 x 3/4 Hex Hd. (SST).....	2
36	00-936312	Bulkhead - Drain 1 In. Hose.....	1
37	00-276407	Gasket - Rinse Pipe.....	1
38	00-941639-00001	Tank - Dryer (STD).....	1
39	00-941639-00002	Tank - Dryer (HTS).....	1
40	00-936731	Deflector - Air.....	1
	00-936832	Stiffener.....	1



BLOWER BOX ASSEMBLY

BLOWER BOX ASSEMBLY

ILLUS.	PART NO.	NAME OF PART	AMT.
PL-58939			
1	00-814497-00001	Cover - Blower Box (Rear) (R-L) (Steam Heat).....	1
2	00-814497-00002	Cover - Blower Box (Rear) (L-R) (Steam Heat).....	1
3	SC-041-05	Cap Screw 1/4-20 x 5/8 Hex Hd. (SST).....	10
4	WL-006-17	Lockwasher 1/4 Helical (SST).....	10
5	00-936771-00001	Blower (230/460 V.).....	1
6	00-936771-00002	Blower (600 V.).....	1
7	NS-031-50	Stop Nut 6-32 Hex (SST).....	2
8	00-075623	Damper - Vent Stack.....	1
9	NS-036-12	Stop Nut 3/8-24 Hex (SST).....	1
10	SC-125-25	Mach. Screw 6-32 x 3/4 Phil. Rd. Hd. (SST).....	3
11	00-064919	Shaft - Damper.....	1
12	SC-066-06	Mach. Screw 10-24 x 1/2 Phil. Truss Hd. (SST).....	16
13	00-814480	Vent Stack - Damper (Incls. Items 7 thru 11).....	1
14	NS-031-15	Stop Nut 10-24 Hex (SST).....	16
15	NS-047-82	Stop Nut 1/4-20 Hex (SST).....	3
16	00-814480	Vent Stack - Damper (Incls. Items 7 thru 11).....	1
17	SC-125-85	Mach. Screw 1/4-20 x 5/8 Phil. Truss Hd. (SST).....	8
18	00-936734	Cover - Blower Box (Front).....	1
19	WL-006-17	Lockwasher 1/4 Helical (SST).....	4
20	SC-041-05	Cap Screw 1/4-20 x 5/8 Hex Hd. (SST).....	4
21	00-813405	Light - Pilot (Red).....	2
22	00-936739	Blower Box Assy.....	1
23	00-936734	Cover - Blower Box (Rear) (Electric Heat).....	1

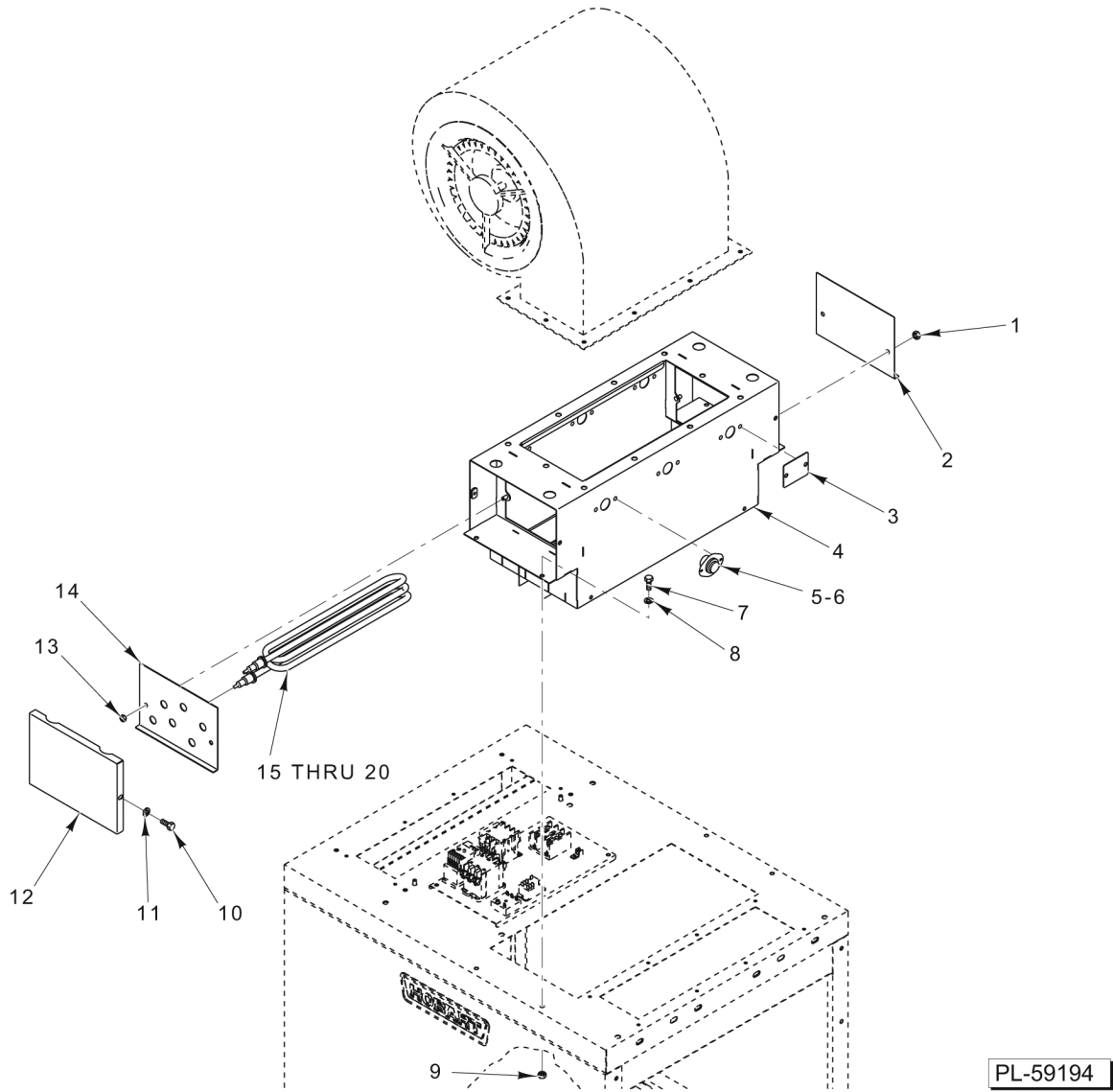


PL-59195

STEAM HEAT

STEAM HEAT

ILLUS.	PART NO.	NAME OF PART	AMT.
PL-59195			
1	00-814403	Coil - Steam.....	1
2	FP-013-27	Elbow Pipe 1 x 90 Deg.....	1
3	FP-059-41	Pipe 1 x 13/4 TBE.....	1
4	FP-013-27	Elbow Pipe 1 x 90 Deg.....	1
5	FP-059-41	Pipe 1 x 13/4 TBE (L-R).....	1
6	FP-036-17	Pipe 1 x 11/2 TBE (R-L).....	1
7	FP-022-23	Union - Pipe (1 In. Straight).....	1
8	FP-088-52	Pipe 1 x 2 3/4 TBE (L-R).....	1
9	FP-036-17	Pipe 1 x 11/2 TBE (R-L).....	1
10	00-749981-00002	Valve - Solenoid (1 In.).....	1
11	FP-088-52	Pipe 1 x 23/4 TBE.....	1
12	00-748967	Strainer - Line (1 In.).....	1
13	00-814521	Bracket - Steam Inlet.....	1
14	FP-013-22	Elbow Pipe 3/4 x 90 Deg.....	1
15	FP-059-19	Pipe 3/4 x 11/2 TBE.....	1
16	FP-022-17	Union - Pipe (3/4 In. Straight).....	1
17	00-814519-00001	Pipe - Condensate Return (STD).....	1
18	00-814519-00002	Pipe - Condensate Return (HTS).....	1
19	FP-013-22	Elbow Pipe 3/4 x 90 Deg.....	1
20	FP-036-12	Pipe 3/4 x 7-3/4 TBE.....	1
21	00-814524	Bracket - Lower Condenser Return.....	1
22	00-118317	Trap - Steam (21 - 50 PSI).....	1
23	NS-015-11	Nut 5/16-18 Hex (SST).....	2
24	WL-006-23	Lockwasher 5/16 Helical.....	2
25	00-814523	Bracket - Upper Condenser Return.....	1
26	WS-029-05	Washer 0.328 x 0.750 x 0.062 (SST).....	2
27	SC-041-12	Cap Screw 5/16-18 x 7/8 Hex Hd. (SST).....	2
28	SC-041-05	Cap Screw 1/4-20 x 5/8 Hex Hd. (SST).....	8
29	WL-006-17	Lockwasher 1/4 Helical (SST).....	8
30	00-814495	Plenum - Weldment.....	1
31	SC-041-05	Cap Screw 1/4-20 x 5/8 Hex Hd. (SST).....	4
32	WL-006-17	Lockwasher 1/4 Helical (SST).....	4
33	NS-036-19	Stop Nut 5/16-18 Hex (SST).....	4
34	SC-041-05	Cap Screw 1/4-20 x 5/8 Hex Hd. (SST).....	4
35	WL-006-17	Lockwasher 1/4 Helical (SST).....	4
36	00-814496	Lid - Plenum.....	2



ELECTRIC HEAT

ELECTRIC HEAT

ILLUS.	PART NO.	NAME OF PART	AMT.
PL-59194			
1	NS-031-19	Stop Nut 1/4-20 (SST).....	2
2	00-936680	Cover - Heater.....	1
3	00-936802	Plate - Cover.....	1
4	00-936737	Plenum - Weldment.....	1
5	00-936780	Thermostat - High Limit.....	2
6	NS-031-50	Stop Nut 6-32 Hex (SST).....	4
7	SC-041-05	Cap Screw 1/4-20 x 5/8 Hex Hd. (SST).....	4
8	WL-006-17	Lockwasher 1/4 Helical (SST).....	4
9	NS-036-19	Stop Nut 5/16-18 Hex (SST).....	4
10	SC-041-05	Cap Screw 1/4-20 x 5/8 Hex Hd. (SST).....	3
11	WL-006-17	Lockwasher 1/4 Helical (SST).....	2
12	00-936740	Cover - Heater.....	1
13	NS-031-19	Stop Nut 1/4-20 (SST).....	2
14	00-936679	Support - Heater.....	1
15	00-936735-00001	Heater (208 V.).....	3
16	00-936735-00002	Heater (240 V.).....	3
17	00-936735-00005	Heater (380 V.).....	3
18	00-936735-00006	Heater (415 V.).....	3
19	00-936735-00003	Heater (480 V.).....	3
20	00-936735-00004	Heater (575-600 V.).....	3

