



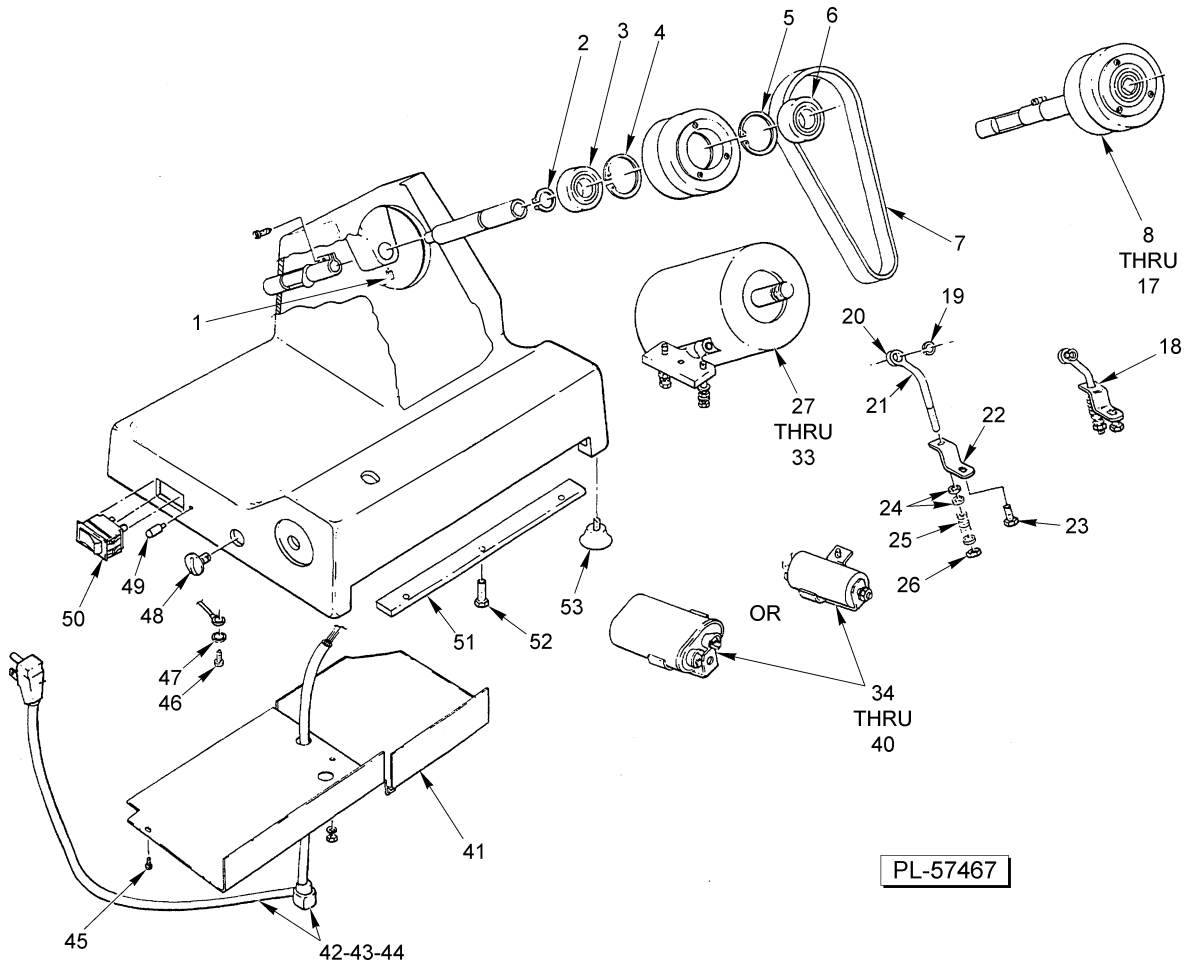
# CATALOG OF REPLACEMENT PARTS



## 610 SLICER

ML-38388

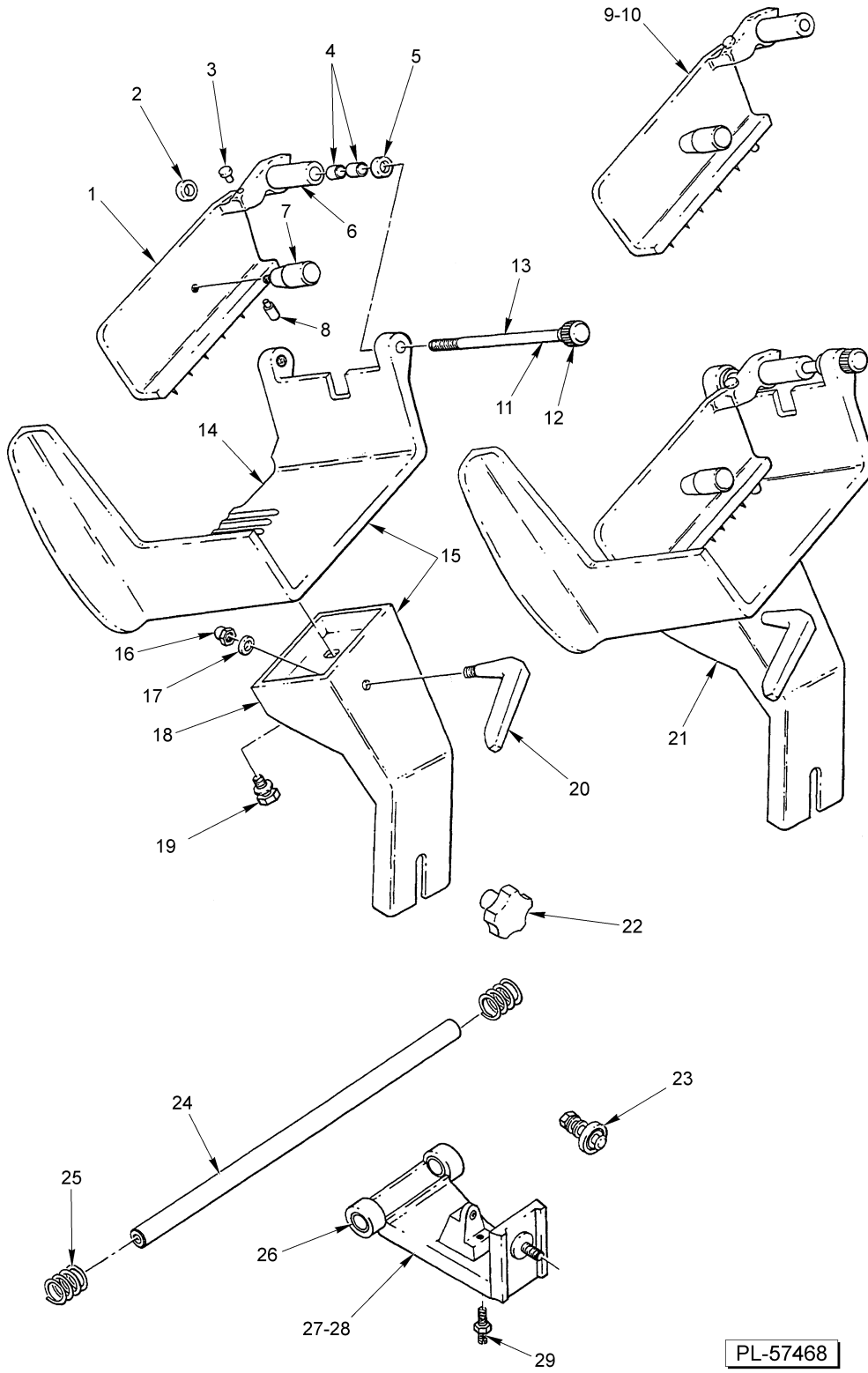
610-1 Slicer P/N [00-913028](#)



DRIVE

## DRIVE

ILLUS. PL-57467	PART NO.	NAME OF PART	AMT.
1	SC-117-34	Set Screw M8 x 1.25 x 8MM Hdl., Cup Pt.	1
2	RR-004-18	Ring – Retaining	1
3	BB-020-18	Ball Bearing – NTN 6203ZZ	1
4	RR-010-08	Ring – Retaining	1
5	RR-010-08	Ring – Retaining	1
6	BB-005-23	Ball Bearing – Hoover NSK62	1
7	00-292583	Belt – Drive	1
8	00-292562	Screw 2.9 x 13	1
9	00-292563	Shaft – Extension	1
10	00-292564	Set Screw M8 x 10	1
11	00-292584	Bearing	1
12	00-292585	Ring – Snap	2
13	00-292586	Hub – Knife Shaft	1
14	00-292587	Bearing	1
15	00-292588	Ring – Snap	1
16	00-292589	Shaft – Knife	1
17	00-292582	Knife Shaft Assy. (Incls. Items 8 thru 16)	1
18	00-292570	Belt Adjustment Assy. (Incls. Items 19 thru 26)	1
19	00-292530	Washer – Rubber	1
20	00-292575	E-Ring	1
21	00-292576	Rod – Connecting	1
22	00-292577	Bracket – Connecting Rod	1
23	00-292578	Screw M5 x 10	1
24	00-292526	Washer M6	2
25	00-292580	Spring	1
26	00-292581	Nut	1
27	00-478178	Motor (220 V., 50 Hz., 1 Ph.)	1
28	00-292514	Nut M6	1
29	00-292572	Bracket – Motor Mounting	1
30	00-292573	Stud	1
31	00-292574	Motor Assy. (115 V., 60 Hz., 1 Ph.)	1
32	00-292581	Nut	1
33	00-292571	Motor & Bracket Assy. (Incls. Items 28 thru 32)	1
34	00-292536	Capacitor (7.5 to 8 MFD)	1
35	00-292565	Bracket – Capacitor	1
36	00-292566	Lockwasher	1
37	00-292567	Screw M6 x 16	1
38	WL-019-74	Lockwasher M8 Helical (SST)	1
39	NS-047-36	Nut M8 x 1.25 Hex (SST)	1
40	00-292569	Capacitor & Bracket Assy. (Incls. Items 34 thru 39)	1
41	00-292558	Cover – Bottom	1
42	00-292555	Cord	1
43	00-292557	Strain Relief	1
44	00-292553	Cord & Plug Assy. (Incls. Items 42 & 43)	1
45	SD-026-27	Self-Tapping Screw 6-20 x 1/2 Phil. Truss Hd., Type AB	AR
46	SC-117-76	Mach. Screw M4 x 0.7 x 8MM Slotted Cheese Hd.	AR
47	WL-019-20	Lockwasher #8 External Shakeproof	AR
48	00-292517	Screw – Slide Rod	2
49	SD-005-20	Self-Tapping Screw Rd. Hd., Type U	1
50	00-292554	Switch – On/Off	1
51	00-292524	Bar – Flat	1
52	SD-036-41	Self-Tapping Screw M6 x 1.0 x 15 MM Hex Hd., Type TT	AR
53	00-292496	Foot – Rubber	4

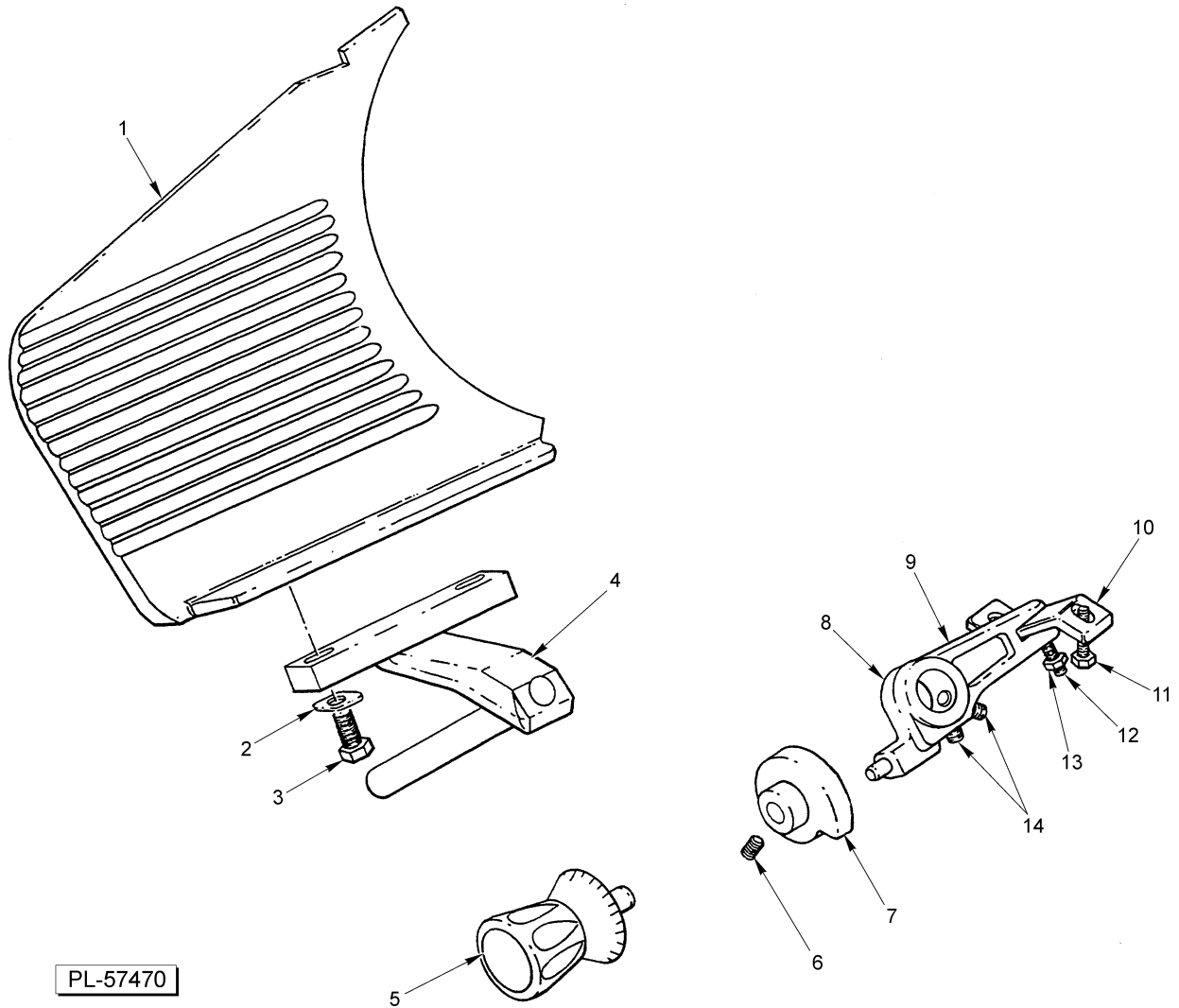


PL-57468

**CARRIAGE**

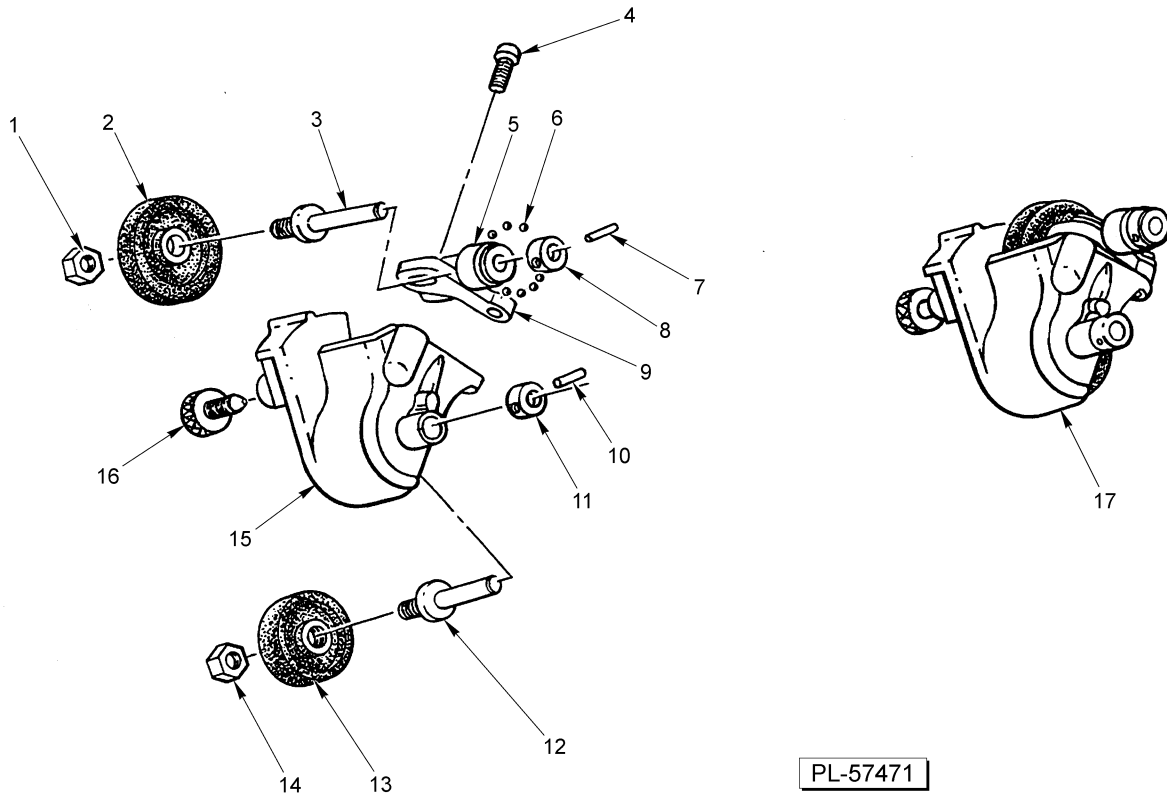
## CARRIAGE

ILLUS.	PART NO.	NAME OF PART	AMT.
PL-57468			
1	00-292537	Grip – Meat .....	1
2	00-292530	Washer – Rubber .....	2
3	00-292531	Button – Stop .....	1
4	00-292532	Bushing – Meat Grip .....	2
5	00-292530	Washer – Rubber .....	2
6	00-292533	Rod – Meat Grip .....	1
7	00-292534	Handle – Grip .....	1
8	00-292535	Button – Slide .....	1
9	00-292529	Pin – Meat Grip .....	1
10	00-292541	Meat Grip Assy. (Incls. Items 1 thru 9) .....	1
11	00-292539	Rod – Meat Grip .....	1
12	00-292540	Knob – Meat Grip Rod .....	1
13	00-292552	Rod & Knob Assy. (Incls. Items 11 & 12) .....	1
14	00-292538	Tray – Meat Grip .....	1
15	00-292842	Tray & Support Arm Assy. (Incls. Items 14, 18, & 19) .....	1
16	NS-200-02	Nut M8 x 1.25 Hex .....	1
17	WL-019-56	Lockwasher #8 External .....	1
18	00-292545	Support – Tray .....	1
19	00-292547	Screw and Washer .....	1
20	00-292640	Knob – Grip Rod .....	1
21	00-292548	Grip & Support Tray Assy. (Incls. Items 10, 13, & 15) .....	1
22	00-292546	Knob – Tray Support .....	1
23	00-292550	Bearing & Mounting Hardware .....	1
24	00-292519	Rod – Slide .....	1
25	00-292518	Spring – Rod .....	2
26	00-292520	Bushing – Carriage .....	2
27	00-292521	Carriage .....	1
28	00-292549	Carriage & Bushing Assy. (Incls. Items 26 & 27) .....	1
29	00-292551	Stud & Nut .....	1



**GAUGE PLATE AND INDEXING MECHANISM**

ILLUS.	PART NO.	NAME OF PART	AMT.
PL-57470			
1	00-292501	Plate – Gauge .....	1
2	00-292507	Washer .....	2
3	SC-200-07	Cap Screw M8 x 1.25 x 25MM Hex Hd. ....	2
4	00-292502	Support Assy. – Gauge Plate .....	1
5	00-292506	Knob – Gauge Plate .....	1
6	SC-117-36	Set Screw M6 x 1.0 x 8MM Hdls., Cup Pt .....	1
7	00-292503	Cam – Index .....	1
8	00-292498	Index Arm Assy. (Incls. Items 9 thru 14) .....	1
9	00-292568	Arm – Index .....	1
10	00-292522	Guide – Index Arm .....	1
11	00-292516	Screw M6 x 12 .....	1
12	00-292515	Set Screw M6 x 15 .....	1
13	00-292514	Nut M6 .....	1
14	00-292512	Set Screw M6 x 8 .....	2

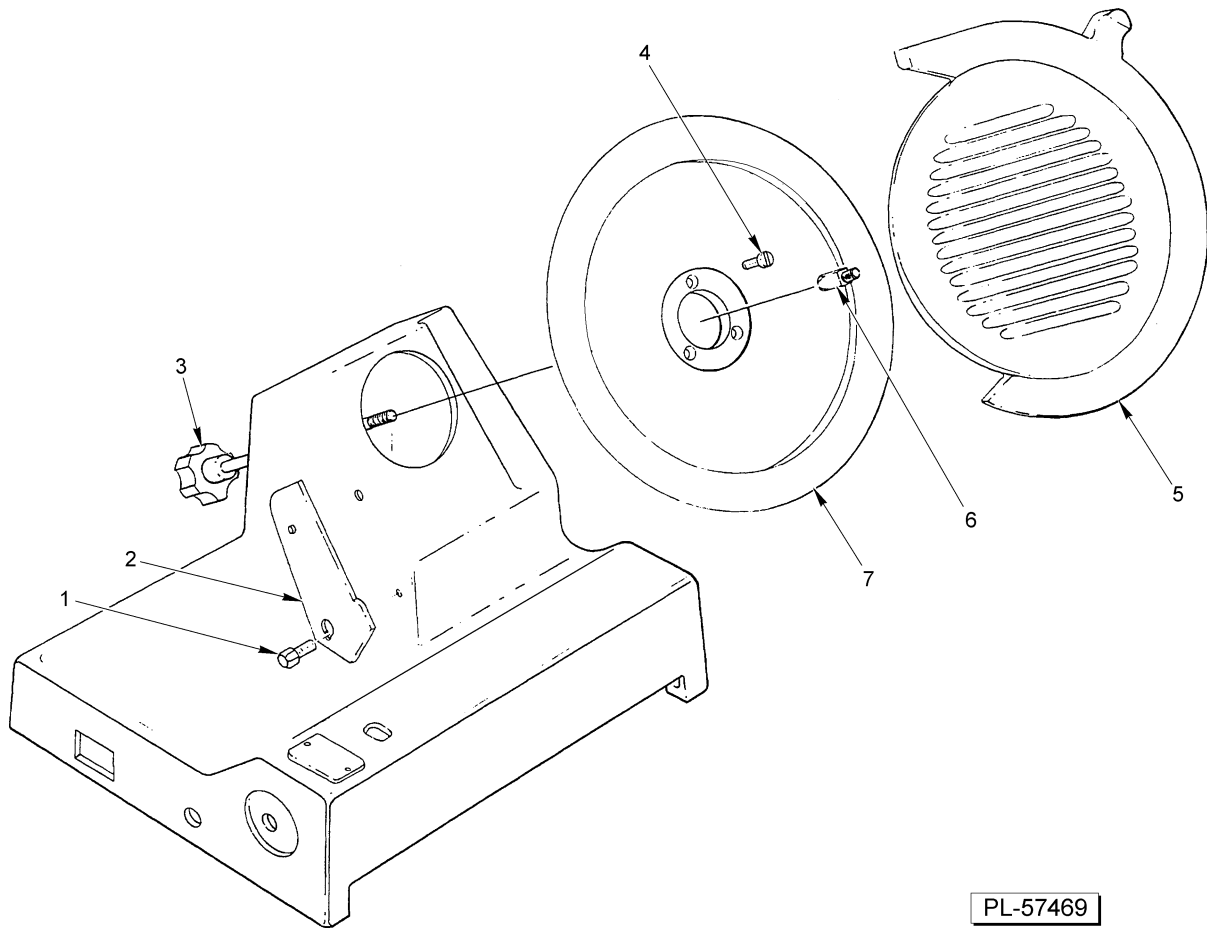


PL-57471

**KNIFE SHARPENER**

ILLUS.	PART NO.	NAME OF PART	AMT.
PL-57471			
1	NS-200-02	Nut M8 x 1.25 Hex .....	1
2	00-018880	Wheel – Grinding .....	1
3	00-292617	Shaft – Grinding Wheel .....	1
4	00-292620	Screw .....	2
5	WS-003-40	Washer .....	1
6	BA-002-01	Ball 0.125 .....	9
7	RP-006-07	Pin – Roll .....	1
8	00-013199	Collar – Grinding & Truing Shaft .....	1
9	00-292630	Grinding Wheel Carrier Assy. (Incls. Items 5 thru 8) .....	1
10	RP-006-07	Pin – Roll .....	1
*11	-	Collar – Thrust .....	1
12	00-292615	Shaft – Truing Wheel .....	1
13	00-018881	Wheel – Truing .....	1
14	NS-200-02	Nut M8 x 1.25 Hex .....	1
15	00-292613	Carrier – Truing Wheel .....	1
16	00-292614	Screw – Thumb .....	1
17	00-292618	Sharpener Assy. (Incls. Items 1, 2, & 9 thru 16) .....	1

\* Service Part Not Available, Use Item 17.



PL-57469

**KNIFE**

ILLUS.	PART NO.	NAME OF PART	AMT.
1	00-292509	Screw – Thumb .....	1
2	00-292504	Deflector .....	1
3	00-292497	Knob – Locking .....	1
4	SC-117-77	Mach. Screw M5 x 0.8 x 12MM Slotted Flat Hd. (SST) .....	3
5	00-292500	Guard – Knife .....	1
6	00-292505	Coupler .....	1
7	00-292499	Knife .....	1