



CATALOG OF REPLACEMENT PARTS



MODEL 5000 SYSTEM

PRINTER

- ML-28533 ML-28538
- ML-28534 ML-28539
- ML-28535 ML-28540
- ML-28622

CONTROLLER

- ML-28530

CONTROL PANEL

- ML-28529

LABEL HEATER

- ML-28536
- ML-28537

INTERCONNECT CABLES

- ML-28544

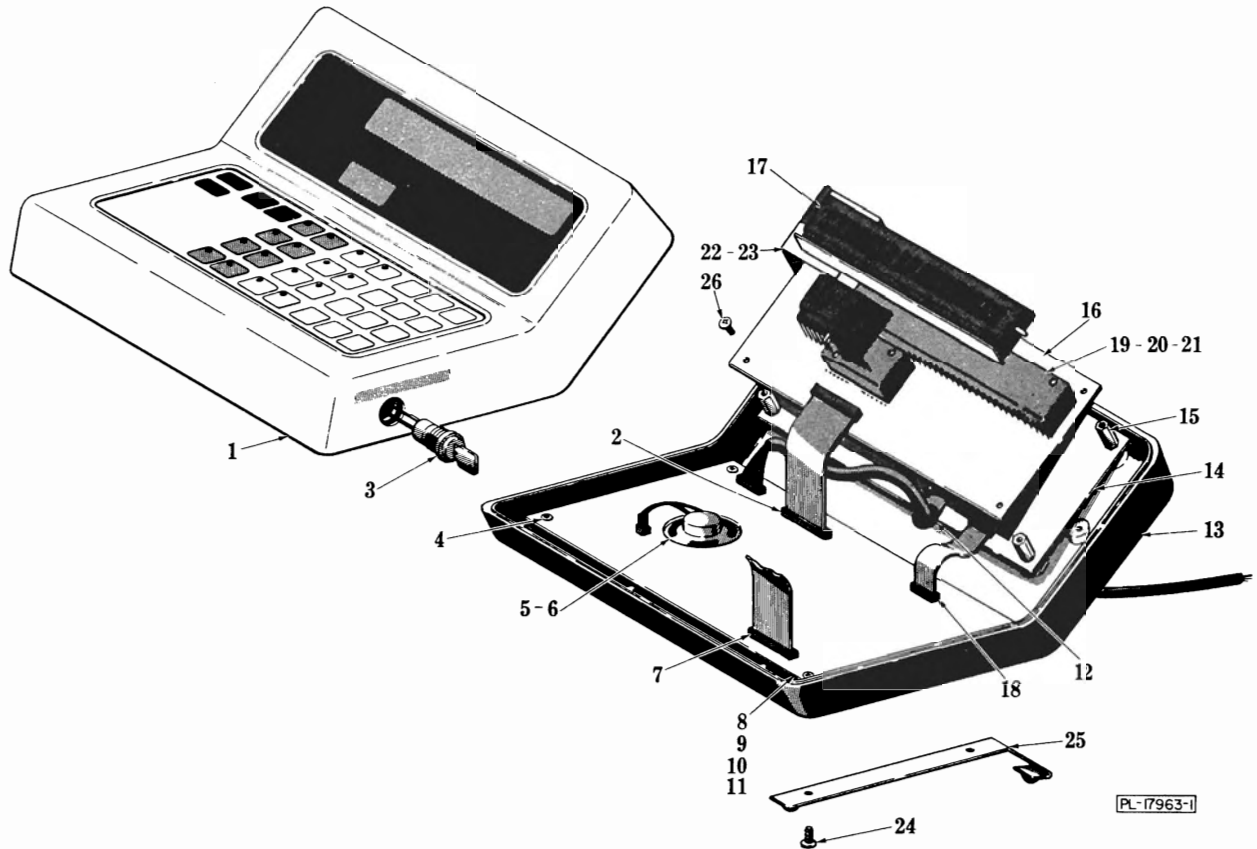
- THIS PAGE INTENTIONALLY LEFT BLANK -

INDEX

Page	Description
4	Control Panel Unit
5	Controller Cover Unit
7	Controller Battery Unit
9	Electrical Unit
*11	Base and Cover Unit
**13	Base and Cover Unit
*15	Main Frame and Label Support
**17	Main Frame and Label Retainer
*19	PC Board and Bracket Unit
*21	Motors and Shaft
*23	Heat Sink Assy.
*25	Label Heater
*27	3" Burster Assy.
*29	2" Burster Assy.
*31	Hammer Support Assy.
*33	Inker, Frame and Feed Roll
35	Wiring Harness
*37	Platten Mech.
**39	Circuit Board and Switches
**41	Motor and Label Drive
**43	Label Guide and Pinch Roll Unit
*44	Transformer and Interlock Switch

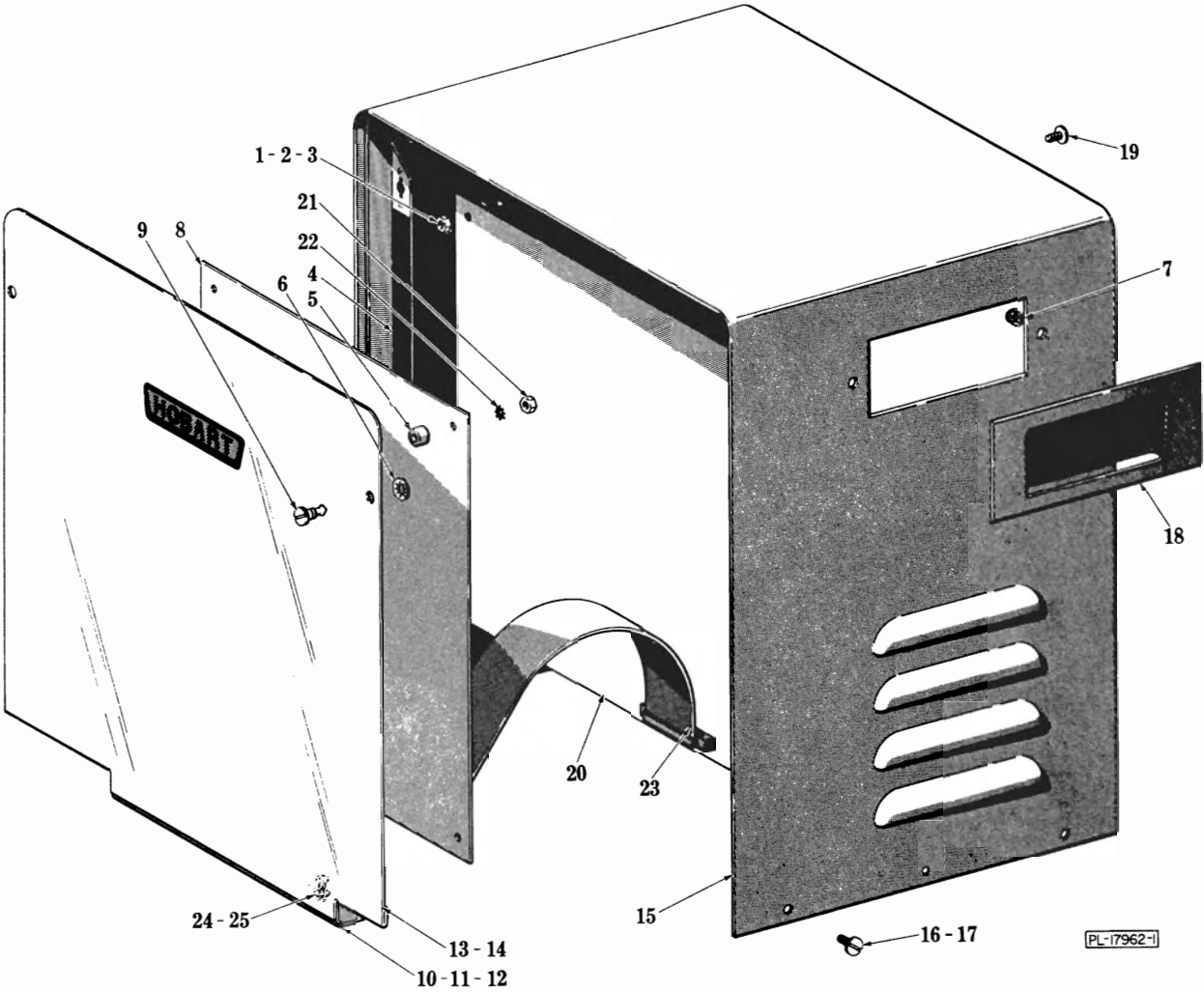
*Ink Printer

**Thermal Printer



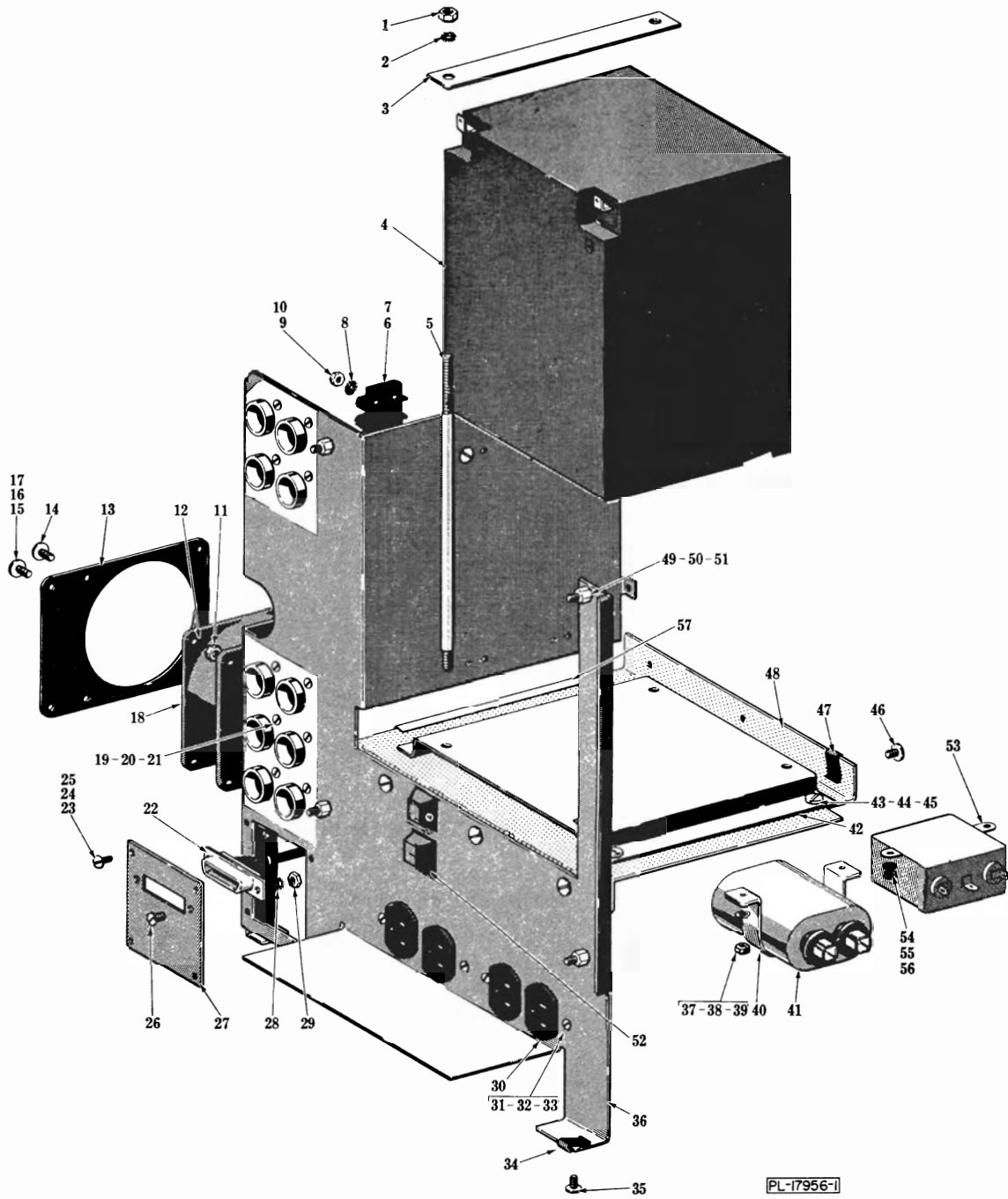
CONTROL PANEL UNIT

ILLUS. NO.	PART NO.	NAME OF PART	AMT.
1	D-182938	Control Panel Cover Assy	1
2	B-182822	Cable - Flat Ribbon Assy	1
3	B-182825	Lock Switch Assy	1
4	SC-110-86	Mach. Screw - #6-32 x 1/4" Phil. Pan Hd	3
5	B-182823	Speaker Assy	1
6	B-254648	Gasket - Speaker	1
7	B-182816	Keyboard Cable Assy	1
8	E-182889	Keyboard - CPU	1
9	SC-71-8	Mach. Screw - #8-32 x 1/4" Truss Hd	1
10	WS-28-6	Washer	1
11	NS-9-12	Mach. Nut - #8-32 Hex	1
12	C-183026-1	Panel/Signal Harness Assy	1
13	E-254630	Base - Control	1
14	D-182818	Sense Switch Board	1
15	A-254631	Spacer - Keyboard	4
16	C-182827	Display & Drive Board Assy. (Incls. items #17, 19, 20 & 21)	1
17	C-182819	Display & Connector Board Assy	1
18	B-182821	Cable - Flat Ribbon Assy	1
19	B-254287	Standoff - Large Display	1
20	WS-19-26	Washer	2
21	SC-21-8	Mach. Screw - #6-32 x 3/8" Rd. Hd	2
22	B-255156	Spacer	1
23	C-255155	Shield - P.C. Board	1
24	SD-24-38	Self-Tapping Screw - #10-24 x 3/8" Phil. Pan Hd	4
25	B-182839	Counter Top Leg Assy	2
26	SC-110-86	Mach. Screw - #6-32 x 1/4" Phil. Pan Hd	4



CONTROLLER COVER UNIT

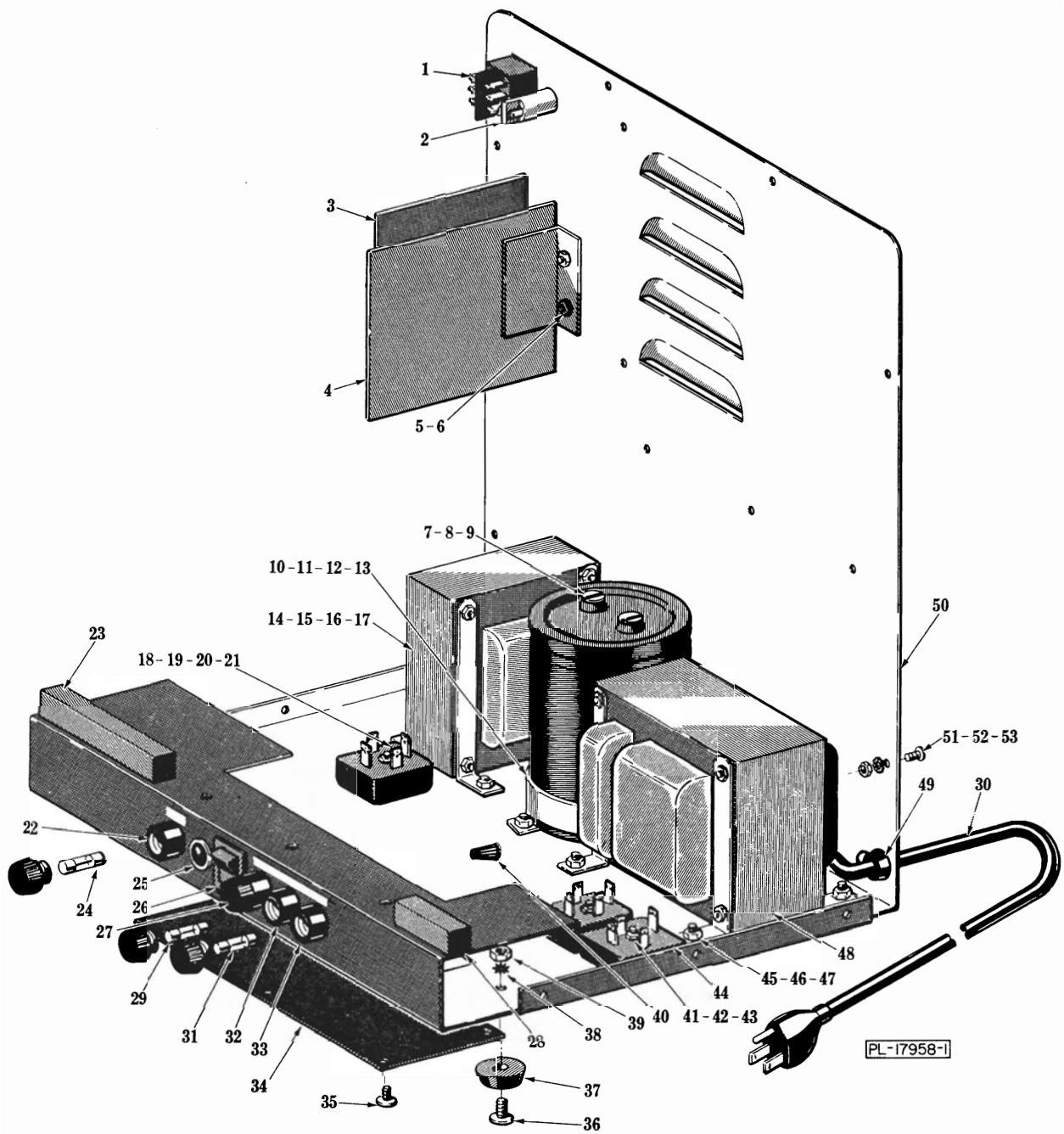
ILLUS. NO.	PART NO.	NAME OF PART	AMT.
1	NS-9-7	Mach. Nut - #6-32 Hex	4
2	WL-8-2	Lock Washer - #6 Int. Shakeproof	4
3	A-2807	Washer - Styrene	4
4	B-254607	Gasket - Adhesive Backed	AR
5	B-254602	Nylon Spacer	4
6	B-254285	Retainer	2
7	NS-24-22	Acorn Nut - #10-32	4
8	E-182829	Solid State Memory Board	1
9	B-254284	Stud - 1/4 Turn	2
10	C-254073	Hinge - Controller	1
11	WL-8-7	Lock Washer - #8 Int. Shakeproof	3
12	NS-9-12	Mach. Nut - #8-32 Hex	3
13	C-182793	Door Assy	1
14	A-255011	Bumper	4
15	E-182789	Cover - Controller Assy	1
16	SD-19-33	Self-Tapping Screw - #8 x 5/16" Pan Hd	6
17	B-254397	Fastener - "U" Type	6
18	B-254283	Grip - Recessed	2
19	SC-18-13	Mach. Screw - #8-32 x 1/4"	6
20	E-182888	System Control Board	1
21	NS-9-7	Mach. Nut - #6-32 Hex	4
22	WL-8-2	Lock Washer - #6 Int. Shakeproof	4
23	B-182906	Cable - Controller	1
24	SC-18-13	Mach. Screw - #8-32 x 1/4" Pan Hd	3
25	WL-8-7	Lock Washer - #8 Int. Shakeproof	3



CONTROLLER BATTERY UNIT

CONTROLLER BATTERY UNIT

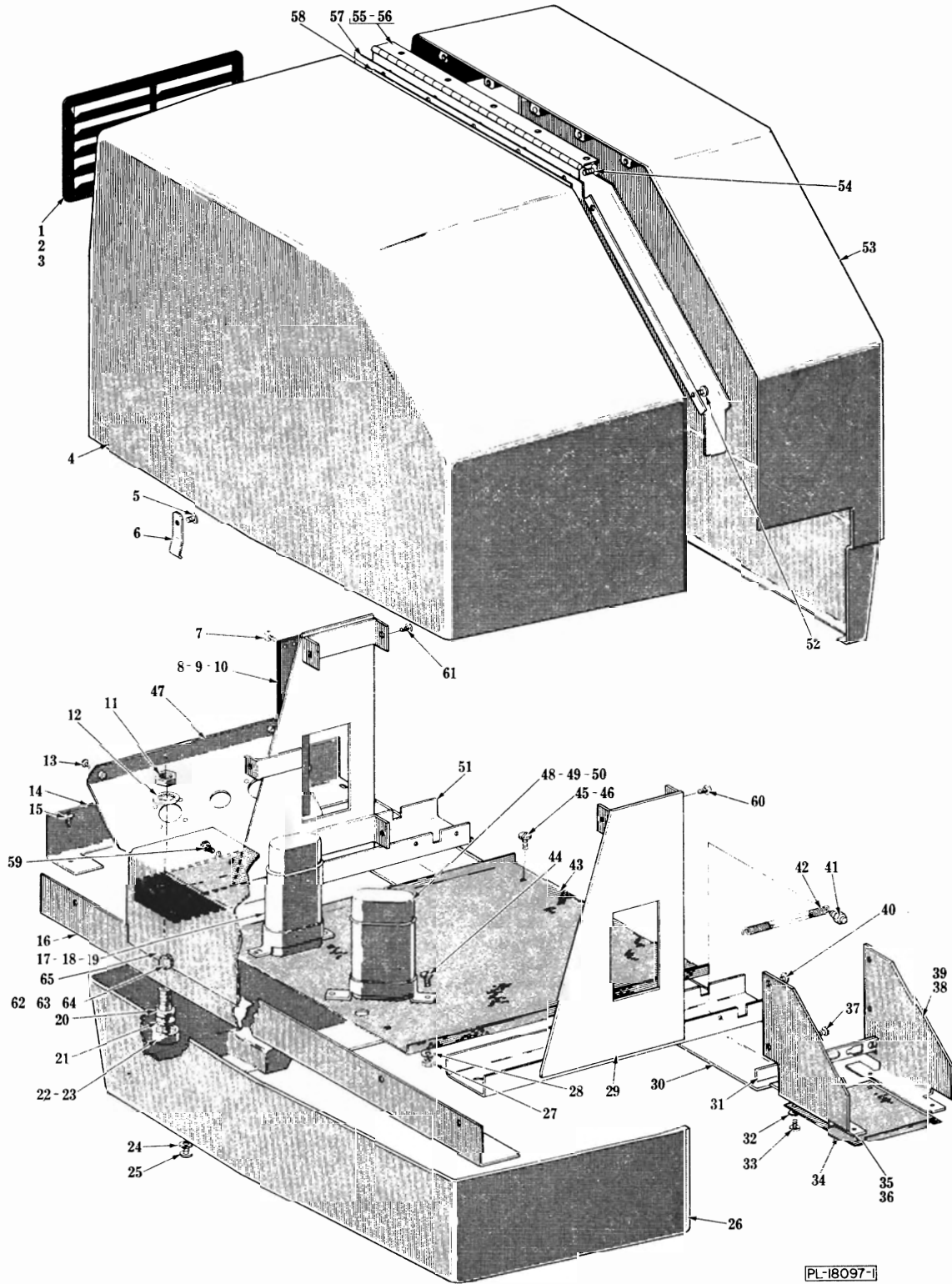
ILLUS. PL-17956-1	PART NO.	NAME OF PART	AMT.
1	NS-9-12	Mach. Nut - #8-32 Hex	4
2	WL-8-7	Lock Washer - #8 Ext. Shakeproof	4
3	B-254113	Clamp - Battery	2
4	B-254124	Battery - Rechargeable	1
5	B-254114	Rod - Battery	4
6	B-254099	Block - Terminal	2
7	B-254751	Jumper - Edge	2
8	WL-8-2	Lock Washer - #6 Ext. Shakeproof	4
9	SC-112-42	Mach. Screw - #6-32 x 1/2" Pan Hd	4
10	NS-9-7	Mach. Nut - #6-32 Hex	4
11	NS-9-7	Mach. Nut - #6-32 Hex	4
12	WL-8-2	Lock Washer - #6 Ext. Shakeproof	4
13	B-254391	Bracket - Fan	1
14	SC-112-42	Mach. Screw - #6-32 x 1/2" Pan Hd	4
15	SC-18-13	Mach. Screw - #8-32 x 1/4" Pan Hd	2
16	WL-8-7	Lock Washer - #8 Ext. Shakeproof	2
17	NS-9-12	Mach. Nut - #8-32 Hex	2
18	C-254063	Fan - Tubeaxial	1
19	SC-113-10	Mach. Screw - #4-40 x 3/8" Pan Hd	12
20	WL-8-45	Lock Washer - #4 Ext. Shakeproof	12
21	NS-9-2	Mach. Nut - #4-40 Hex	12
22	B-182914	Harness - RS232	1
23	SC-113-10	Mach. Screw - #4-40 x 3/8"	4
24	WL-8-45	Lock Washer - #4 Ext. Shakeproof	4
25	NS-9-72	Mach. Nut - #4-40 Hex	4
26	SC-113-10	Mach. Screw - #4-40 x 3/8" Pan Hd	2
27	B-254400	Plate - Connector	1
28	WL-8-45	Lock Washer - #4 Ext. Shakeproof	2
29	NS-9-2	Mach. Nut - #4-40 Hex	2
30	E-182974-1	Outlet - Harness Assy	1
31	SC-18-50	Mach. Screw - #6-32 x 1/4" Pan Hd	4
32	WL-8-2	Lock Washer - #6 Ext. Shakeproof	4
33	NS-9-7	Mach. Nut - #6-32 Hex	4
34	B-254397	Fastener - "U" Type	5
35	SC-18-13	Mach. Screw - #8-32 x 1/4" Pan Hd	3
36	D-254399	Bracket - Plug Mtg	1
37	SC-113-10	Mach. Screw - #4-40 x 3/8" Pan Hd	2
38	WL-8-45	Lock Washer - #4 Ext. Shakeproof	2
39	NS-9-2	Mach. Nut - #4-40 Hex	2
40	B-254604	Bracket - Wrap Around Mounting	1
41	A-33489	Capacitor Assy	1
42	C-182939	Bracket - Battery Mounting	1
43	SC-18-32	Mach. Screw - #8-32 x 3/8" Pan Hd	4
44	WL-8-7	Lock Washer - #8 Ext. Shakeproof	4
45	NS-9-12	Mach. Nut - #8-32 Hex	4
46	SD-19-33	Self-Tapping Screw - #8 x 5/16" Pan Hd., Type B	6
47	B-254397	Fastener - "U" Type	6
48	D-254246	Shelf - Controller	1
49	SC-18-24	Mach. Screw - #6-32 x 3/4" Phil. Pan Hd	4
50	WL-8-2	Lock Washer - #6 Int. Shakeproof	4
51	A-254651	Spacer	4
52	A-255012	Bumper	2
53	B-254994	Filter - Power Line	1
54	NS-9-12	Mach. Nut - #8-32 Hex	2
55	WL-8-7	Lock Washer - #8 Int. Shakeproof	2
56	SC-18-32	Mach. Screw - #8-32 x 3/8" Pan Hd	2
57	B-255132	"O" Channel - Battery Shelf	1



ELECTRICAL UNIT

ELECTRICAL UNIT

ILLUS. PL-17958-1	PART NO.	NAME OF PART	AMT.
1	B-254240	Switch - Rocker	1
2	B-254603	Indicator Light - Flush Lens	1
3	D-182842	Battery Charger Board Assy	1
4	D-182886	Communication Board Assy	1
5	SC-18-13	Mach. Screw - #8-32 x 1/4" Pan Hd	4
6	WL-8-7	Lock Washer - #8 Ext. Shakeproof	4
7	B-254273	Capacitor	1
8	SC-110-87	Mach. Screw - #10-32 x 1/4" Pan Hd	2
9	WL-8-13	Lock Washer - #10 Int. Shakeproof	2
10	C-254104	Mounting - Capacitor	1
11	SC-18-50	Mach. Screw - #6-32 x 1/4" Pan Hd	3
12	WL-8-2	Lock Washer - #6 Ext. Shakeproof	3
13	NS-9-7	Mach. Nut - #6-32 Hex	3
14	C-182936	Transformer Assy	1
15	SC-18-32	Mach. Screw - #8-32 x 3/8" Pan Hd	4
16	WL-7-7	Lock Washer - #8 Ext. Shakeproof	4
17	NS-9-12	Mach. Nut - #8-32 Hex	4
18	B-254272	Bridge - Rectifier	1
19	SC-18-37	Mach. Screw - #8-32 x 3/4" Pan Hd	1
20	WL-8-7	Lock Washer - #8 Ext. Shakeproof	1
21	NS-9-12	Mach. Nut - #8-32 Hex	1
22	FE-22-73	Fuse Holder	1
23	B-254600	Pad - Cable	1
24	FE-14-27	Fuse - 4 Amp	1
25	B-254603	Indicator Light - Flush Lens	1
26	B-254240	Switch - Rocker	1
27	FE-9-27	Fuse - 2 Amp	1
28	B-254601	Pad - Cable	1
29	FE-9-27	Fuse - 2 Amp	1
30	B-182966	Power Cord	1
31	FE-22-72	Fuse - 6 Amp	1
32	FE-22-73	Fuse Holder	1
33	FE-22-73	Fuse Holder	1
34	C-254652	Plate - Cover	1
35	SC-18-13	Mach. Screw - #8-32 x 1/4" Pan Hd	6
36	SC-18-38	Mach. Screw - #8-32 x 1/2" Pan Hd	4
37	B-254107	Foot - Rubber	4
38	WL-8-7	Lock Washer - #8 Ext. Shakeproof	4
39	NS-9-12	Mach. Nut - #8-32 Hex	4
40	FE-6-17	Wire Nut	3
41	SC-18-37	Mach. Screw - #8-32 x 3/4" Pan Hd	2
42	WL-8-7	Lock Washer - #8 Ext. Shakeproof	2
43	NS-9-12	Mach. Nut - #8-32 Hex	2
44	B-254272	Bridge - Rectifier	2
45	SC-18-14	Mach. Screw - #10-32 x 3/8" Pan Hd	3
46	WL-7-12	Lock Washer - #10 Ext. Shakeproof	4
47	NS-9-30	Mach. Nut - #10-32 Hex	3
48	D-182908	Transformer Harness Assy	1
49	B-254115	Bushing - Strain Relief	1
50	C-182790	Frame Assy	1
51	SC-18-32	Mach. Screw - #8-32 x 3/8" Pan Hd	1
52	WL-7-7	Lock Washer - #8 Ext. Shakeproof	2
53	NS-9-12	Mach. Nut - #8-32 Hex	1

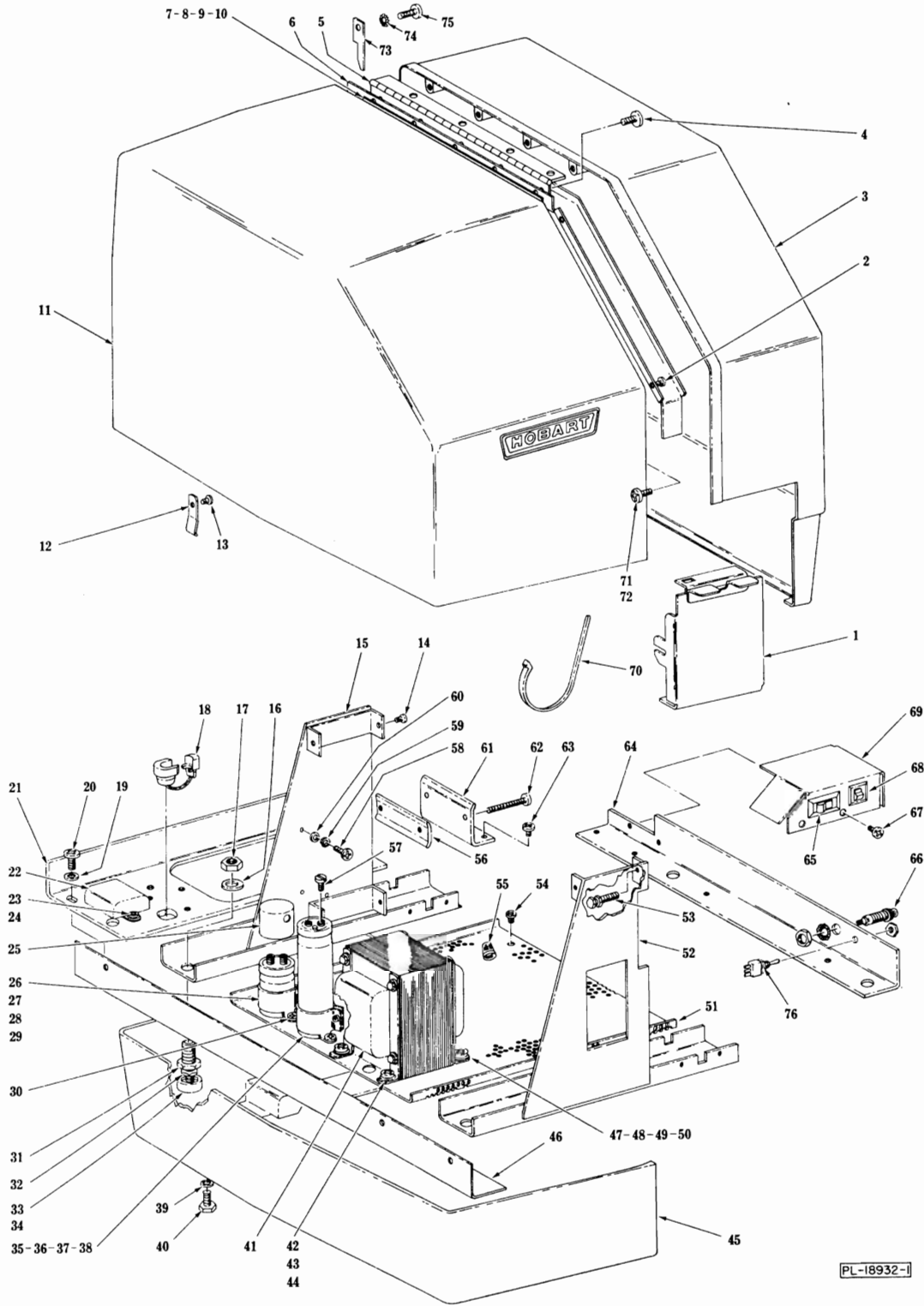


BASE AND COVER ASSEMBLY
(INK PRINTER)

**BASE AND COVER ASSEMBLY
(INK PRINTER)**

ILLUS. PL-18097-1	PART NO.	NAME OF PART	AMT.
1	C-182723	Air Vent Assy	1
2	NS-9-12	Mach. Nut - #8-32 Hex	2
3	WS-23-23	Washer	2
4	E-254588-2	Cover - Rear Printer	1
5	SC-110-87	Mach. Screw - #10-32 x 1/4" Phil. Pan Hd	2
6	B-255045	Clip - Retaining	2
7	SC-112-42	Mach. Screw - #6-32 x 1/2" Phil. Pan Hd	2
8	B-253923	Block - Terminal	1
9	B-253925	Strip - Marker	1
10	B-182835	Solenoid Suppression Assy	1
11	NS-17-59	Jam Nut - 1/2"-13 Hex	4
12	WL-8-32	Lock Washer - 1/2" Int. Shakeproof	4
13	SC-18-30	Mach. Screw - #8-32 x 1/4" Phil. Pan Hd	2
14	C-254939	Rail - Rear	1
15	SC-18-25	Mach. Screw - #10-32 x 3/8" Phil. Pan Hd	2
16	D-254941	Rail - Left	1
17	B-254025	Capacitor	1
18	B-254069	Bracket - Capacitor Mounting	1
19	B-254020	Boot - Capacitor	1
20	B-253825	Nut	4
21	NS-17-8	Jam Nut - 5/16"-18 Hex	4
22	B-253907	Slide	4
23	B-253906	Leveler	4
24	WS-19-2	Washer	5
25	SC-68-33	Cap Screw - #10-32 x 1/2" Hex Hd	5
26	E-254586-2	Skirt - Printer Cover	1
27	NS-9-12	Mach. Nut - #8-32 Hex	2
28	WL-3-12	Lock Washer - #8 Medium	4
29	D-182884	Front Support Assy	1
30	D-254940	Rail - Right	1
31	B-182739	Heater Retainer Assy	1
32	WL-8-1	Lock Washer - #6 Int. Shakeproof	4
33	SC-18-27	Mach. Screw - #6-32 x 3/16" Phil. Pan Hd	4
34	C-254557	Plate ¹ - Vent Ejector	1
35	C-253946	Rail - Short Left	1
36	B-253818	Shim - Heater	1
37	SC-18-34	Mach. Screw - #8-32 x 1/2" Phil. Pan Hd	1
38	C-254050	Rail - Short Right	1
39	B-253818	Shim - Heater	1
40	SC-18-30	Mach. Screw - #8-32 x 1/4" Phil. Pan Hd	1
41	B-253821	Stud - Slide	2
42	B-253820	Spring - Heater Retaining	1
43	D-254035	Cover - Printer Base	1
44	SC-18-31	Mach. Screw - #8-32 x 3/8" Phil. Pan Hd	4
45	SC-18-30	Mach. Screw - #8-32 x 1/4" Phil. Pan Hd	4
46	WL-3-12	Lock Washer - #8 Medium	4
47	C-182931	Power Cord Bracket & Nut Assy	1
48	B-254019	Capacitor	1
49	B-254069	Bracket - Capacitor Mounting	1
50	B-254020	Boot - Capacitor	1
51	D-182883	Rear Support Assy	1
52	SC-110-87	Mach. Screw - #10-32 x 1/4" Phil. Pan Hd	2
53	E-254587-2	Cover - Front Printer	1
54	SC-113-12	Mach. Screw - #10-32 x 1/2" Flat Hd	5
55	C-253864	Hinge - Cover	1
56	B-255163	Screw - Special	5
57	D-253868-2	Deflector - Water	1
58	D-253869	Bracket - Mounting Cover	1
59	SC-67-4	Mach. Screw - #8-32 x 1/4" Indented Hex Hd	2
60	SC-18-31	Mach. Screw - #8-32 x 3/8" Phil. Pan Hd	4
61	SC-18-34	Mach. Screw - #8-32 x 1/2" Phil. Pan Hd	5
62	SC-36-14	Cap Screw - 1/4"-20 x 1/2" Hex Hd	2
63	WS-22-10	Washer	2
64	WL-8-17	Lock Washer - 1/4" Int. Shakeproof	2
65	C-255157	Shield	1

5000 REPLACEMENT PARTS

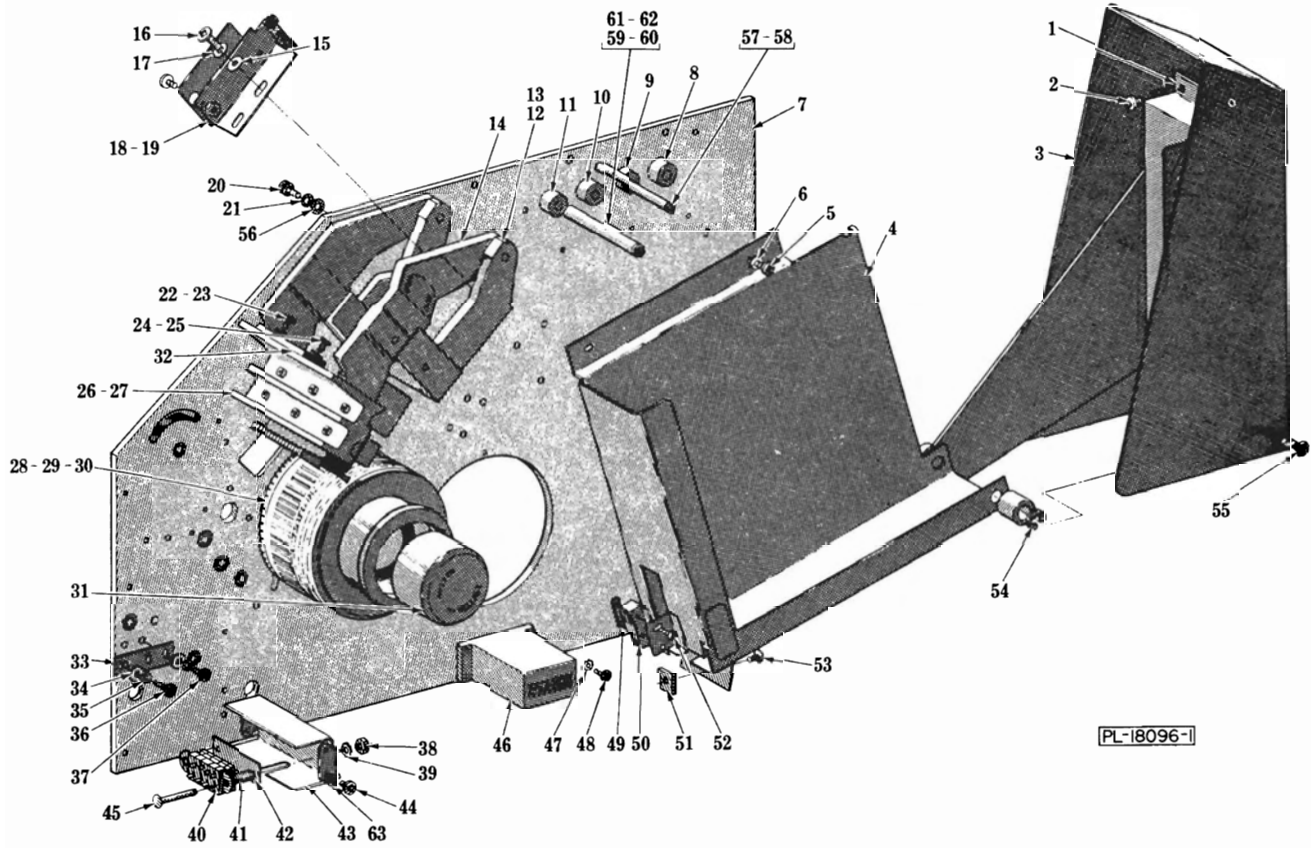


BASE AND COVER ASSEMBLY
(THERMAL PRINTER)

ILLUS. NO.	PART NO.	NAME OF PART	Amt.
1	C-183132	Ejector Filler Assy	1
2	SC-110-87	Mach. Screw - #10-32 x 1/4" Phil. Pan Hd	2
3	E-255473-2	Cover - Front Printer	1
4	SC-66-22	Mach. Screw - #10-32 x 3/8" Phil. Truss Hd	9
5	C-255634	Hinge - Cover	1

BASE AND COVER ASSEMBLY (Cont.)
(THERMAL PRINTER)

ILLUS. PL-18932-1	PART NO.	NAME OF PART	AMT.
6	D-253868-2	Deflector - Water	1
7	SC-113-8	Mach. Screw - #10-32 x 1/2" Phil. Pan Hd	3
8	WL-8-13	Lock Washer - #10 - Int. Shakeproof	3
9	WS-19-2	Washer	3
10	D-255633	Bracket - Cover Mounting	1
11	E-255201	Cover - Rear Printer	1
12	B-255045	Clip - Retaining	2
13	SC-110-87	Mach. Screw - #10-32 x 1/4" Phil. Pan Hd	2
14	SC-18-34	Mach. Screw - #8-32 x 1/2" Phil. Pan Hd	1
15	D-256321	Rear Support Assy	1
16	WL-8-32	Lock Washer - 1/2" Int. Shakeproof	4
17	NS-17-59	Jam Nut - 1/2"-13 Hex Fin	4
18	B-254115	Bushing - Strain Relief	1
19	WS-2-51	Washer	2
20	SC-18-25	Mach. Screw - #10-32 x 3/8" Phil. Pan Hd	2
21	D-256088	Rail - Rear	1
22	B-255489	Filter Assy	1
23	SC-112-94	Mach. Screw - #8-32 x 3/16" Phil. Pan Hd	2
24	WL-7-7	Lock Washer - #8 Ext. Shakeproof	2
25	C-256532	Cap - Capacitor	2
26	B-256155	Capacitor	1
27	B-256434	Bracket - Capacitor Mounting	1
28	SC-18-29	Mach. Screw - #6-32 x 3/8" Phil. Pan Hd	1
29	NS-9-7	Mach. Nut - #6-32 Hex	1
30	SC-18-28	Mach. Screw - #6-32 x 1/4" Phil. Pan Hd	4
31	B-253825	Nut	4
32	NS-17-8	Jam Nut - 5/16"-18 Hex Fin	4
33	B-253907	Slide	4
34	B-253906	Leveler	4
35	C-255505	Capacitor	1
36	B-256434	Bracket - Capacitor Mounting	1
37	SC-18-29	Mach. Screw - #6-32 x 3/8" Phil. Pan Hd	1
38	NS-9-7	Mach. Nut - #6-32 Hex	1
39	WS-19-2	Washer	5
40	SC-68-33	Mach. Screw - #10-32 x 1/2" Hex Hd	5
41	D-256378	Transformer Assy	1
42	SC-18-25	Mach. Screw - #10-32 x 3/8" Phil. Pan Hd	2
43	WS-2-51	Washer	2
44	WL-7-12	Lock Washer - #10 Ext. Shakeproof	2
45	E-255202	Skirt - Printer Cover	1
46	D-256149	Rail - Left	1
47	SC-113-8	Mach. Screw - #10-32 x 1/2" Phil. Pan Hd	2
48	WS-2-51	Washer	2
49	WL-7-12	Lock Washer - #10 Ext. Shakeproof	2
50	NS-9-30	Mach. Nut - #10-32 Hex	2
51	D-256151	Cover - Printer Base	1
52	D-256324	Front Support Assy	1
53	B-256574	Stud - Spring	1
54	SC-112-94	Mach. Screw - #8-32 x 3/16" Phil. Pan Hd	2
55	FE-6-17	Wire Nut	AR
56	B-256395	Plate - Cable Clamp	1
57	SC-18-14	Mach. Screw - #10-32 x 3/8" Pan Hd	4
58	SC-18-29	Mach. Screw - #6-32 x 3/8" Phil. Pan Hd	3
59	WL-3-9	Lock Washer - #6 Medium	3
60	WS-23-15	Washer	3
61	B-256396	Bracket - Cable Clamp	1
62	SC-81-12	Mach. Screw - #8-32 x 1-1/2" Rd. Hd	2
63	SC-112-94	Mach. Screw - #8-32 x 3/16" Phil. Pan Hd	2
64	D-256190	Rail - Right	1
65	A-252468	Switch - Power 18P-V	1
66	B-256373	Light - Indicator (Incls. Nut & Washer)	1
67	SC-112-94	Mach. Screw - #8-32 x 3/16" Phil. Pan Hd	2
68	B-256154	Circuit Breaker (3A)	1
69	C-256089	Bracket - Switch Mounting	1
70	A-251199	Cable Tie	AR
71	SC-113-8	Mach. Screw - #10-32 x 1/2" Phil. Pan Hd	1
72	NS-9-30	Mach. Nut - #10-32 Hex	1
73	B-256215	Cover Guide	1
74	WL-7-7	Lock Washer - #8 Ext. Shakeproof	1
75	SC-18-34	Mach. Screw - #8-32 x 1/2" Phil. Pan Hd	1
76	B-256675	Switch - Toggle	1



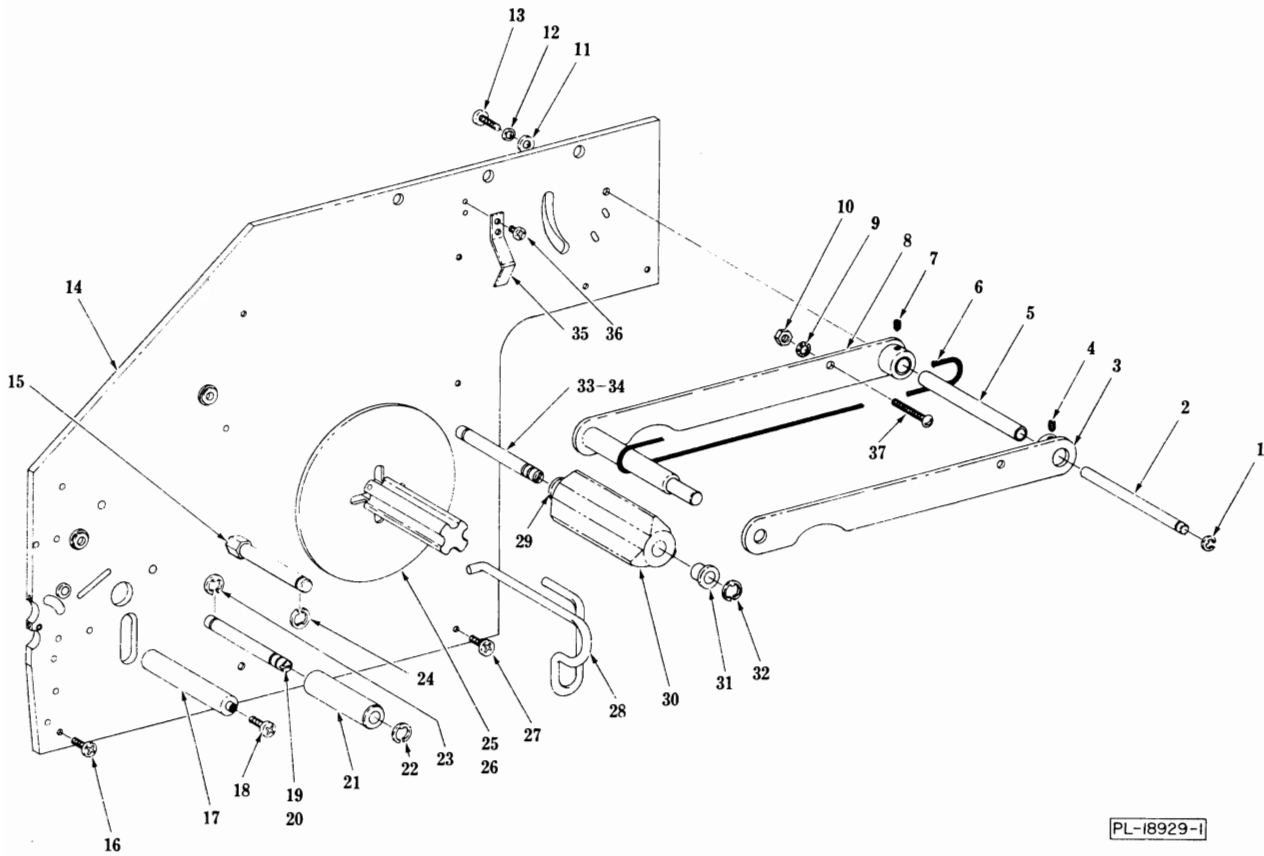
MAIN FRAME & LABEL SUPPORT
(INK PRINTER)

**MAIN FRAME & LABEL SUPPORT
(INK PRINTER)**

ILLUS. PL-18096-1	PART NO.	NAME OF PART	AMT.
*1	C-254330	Stop - Label	1
*2	SC-110-87	Mach. Screw - #10-32 x 1/4" Pan Hd	2
3	D-182698	Cover Assy	1
4	D-182704	Lower Support Assy	1
5	SC-18-25	Mach. Screw - #10-32 x 3/8" Phil. Pan Hd	2
6	WL-4-40	Lock Washer - #10 Medium	2
7	D-182778	Main Frame Assy	1
8	B-254148	Circuit Breaker - 6 Amp	1
9	B-254149	Circuit Breaker - 4 Amp	1
10	B-254150	Circuit Breaker - 10 Amp	1
11	B-254149	Circuit Breaker - 24 Amp	1
*12	D-254574	Hammer Support Base	1
**13	D-253984	Hammer Support Base	1
14	D-253985	Support - Hammer Lifting	1
15	WS-23-15	Washer	2
16	SC-18-29	Mach. Screw - #6-32 x 3/8" Phil. Pan Hd	2
17	WL-3-9	Lock Washer - #6 Medium	2
*18	B-183021	Label Sensor Assy	1
**19	B-183023	Label Sensor Assy	1
20	SC-40-90	Cap Screw - #8-32 x 5/8" Soc. Hd	1
21	WL-3-12	Lock Washer - #8 Medium	1
22	WS-23-47	Washer	2
23	SC-92-36	Cap Screw - #6-32 x 1/2" Soc. Hd	2
24	B-254571	Washer - Special	3
25	SC-109-21	Mach. Screw - #6-32 x 5/8" Truss Hd	3
*26	E-254388	Hammer Assy	1
**27	E-254032	Hammer Assy	1
**28	C-182893	Print Drum Assy. (With By-Count)	1
**29	C-254566	Print Drum Assy. (W/O By-Count)	1
*30	C-182891	Print Drum Assy. (W/O UPC)	1
31	B-182941	Knob Assy	1
32	B-254317	Bar - Limit	1
33	B-255010	Arm - Cover Adjustment	1
34	WS-19-16	Washer	3
35	WL-7-7	Lock Washer - #8 Ext. Shakeproof	3
36	SC-18-34	Mach. Screw - #8-32 x 1/2" Phil. Pan Hd	1
37	SC-18-31	Mach. Screw - #8-32 x 3/8" Phil. Pan Hd	2
38	NS-9-2	Mach. Nut - #4-40 Hex	2
39	WL-7-39	Lock Washer - #4 Ext. Shakeproof	2
40	B-254049	Connector	1
41	B-254192	Spring	2
42	B-254191	Insulator	1
43	C-254040	Bracket - Plug Mounting	1
44	SC-18-31	Mach. Screw - #8-32 x 3/8" Phil. Pan Hd	4
45	B-254190	Guide	2
46	B-182801	Counter Assy	1
47	WL-7-39	Lock Washer - #4 Ext. Shakeproof	2
48	SC-18-44	Mach. Screw - #4-40 x 1/2" Phil. Pan Hd	2
49	B-253743	Plate - Screw	1
50	A-30666	Switch	1
51	B-254569	Plate - Screw	1
52	SC-113-19	Mach. Screw - #4-40 x 7/8" Phil. Pan Hd	2
53	SC-66-22	Mach. Screw - #10-32 x 3/8" Truss Hd	1
54	RR-10-6	Retaining Ring	2
55	B-253746	Stud	2
56	WS-2-40	Washer	1
57	B-254835	Stud - Roller	1
58	NS-17-3	Mach. Nut	1
59	B-254834	Roller - Labeler	1
60	B-254835	Stud - Roller	1
61	NS-17-3	Mach. Nut	1
62	RR-11-4	Retaining Ring	1
63	WL-3-12	Lock Washer - #8 Medium	2

*2" Long Label.

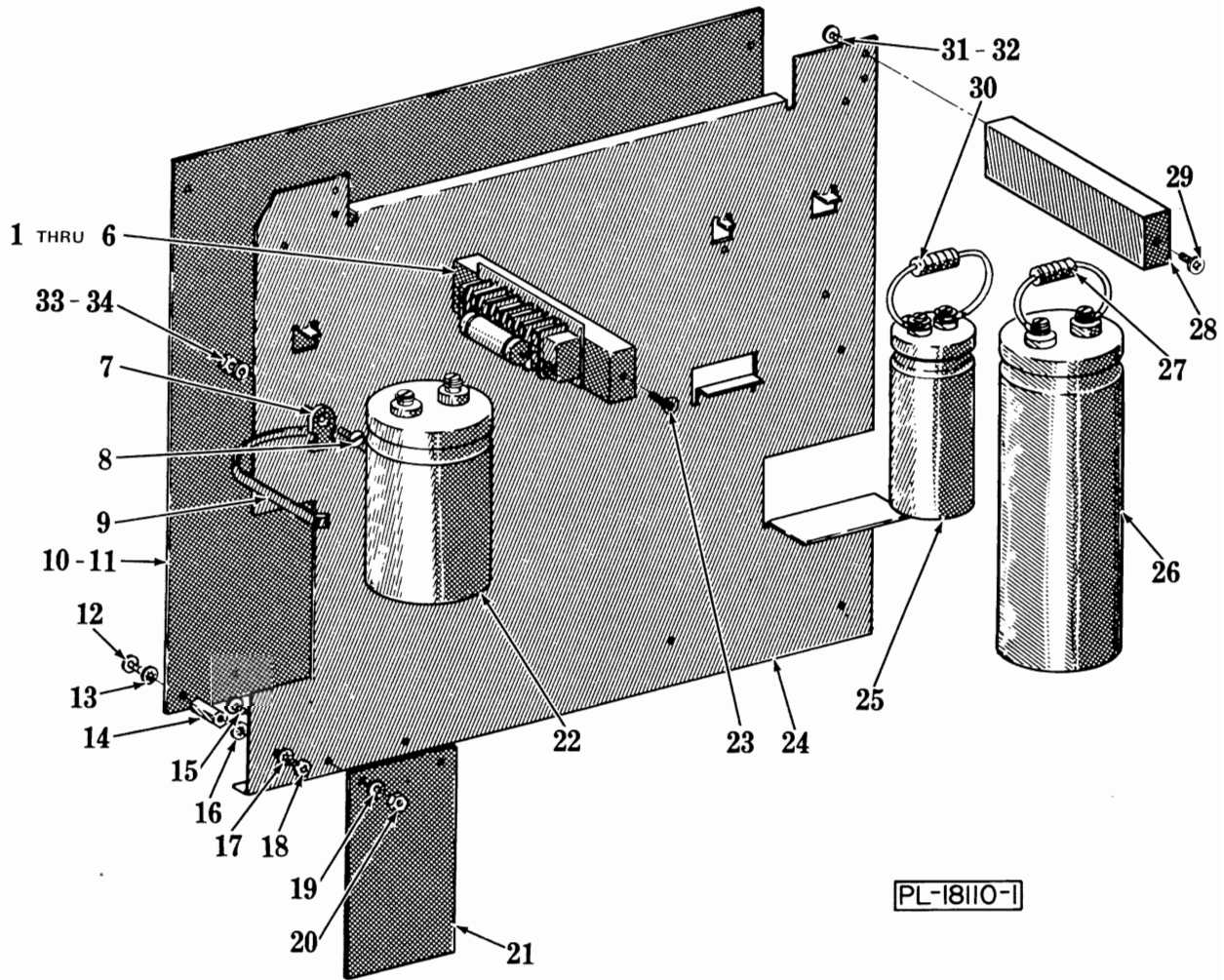
**3" Long Label.



MAIN FRAME AND LABEL RETAINER
(THERMAL PRINTER)

**MAIN FRAME AND LABEL RETAINER
(THERMAL PRINTER)**

ILLUS. PL-18929-1	PART NO.	NAME OF PART	AMT.
1	RR-9-9	Retaining Ring	1
2	B-256330	Stud - Label Retainer	1
3	C-256341	Arm - Label Retainer (R.H.)	1
4	SC-116-81	Set Screw - #8-32 x 3/16" Soc. Hdls., Cup Pt	1
5	B-256337	Bearing - Label Retainer	1
6	B-256346	Belt - Paper Tension	1
7	SC-116-81	Set Screw - #8-32 x 3/16" Soc. Hdls., Cup Pt	1
8	C-256342	Arm - Label Retainer (L.H.)	1
9	WL-8-13	Lock Washer - #10 Int, Shakeproof	1
10	NS-9-30	Mach. Nut - #10-32 Hex	1
11	WS-2-51	Washer	1
12	WL-7-12	Lock Washer - #10 Ext. Shakeproof	1
13	SC-18-47	Mach. Screw - #10-32 x 3/4" Pan Hd	1
14	D-256374	Frame Assy	1
15	B-256048	Stud - Tally Roll	1
16	SC-18-34	Mach. Screw - #8-32 x 1/2" Phil. Pan Hd	1
17	B-256033	Standoff - Aux. Frame	1
18	SC-18-34	Mach. Screw - #8-32 x 1/2" Phil. Pan Hd	2
19	B-256110	Stud - Arbor	1
20	NS-17-3	Jam Nut - 1/4"-20 Hex Fin	1
21	B-256420	Roller - Idler	1
22	RR-4-19	Retaining Ring	1
23	RR-4-19	Retaining Ring	1
24	RR-11-11	Retaining Ring	1
25	SC-55-32	Set Screw - #6-32 x 3/16" Soc. Hdls., Cup Pt	1
26	B-256576	Take-Up Hub Assy	1
27	SC-18-34	Mach. Screw - #8-32 x 1/2" Phil. Pan Hd	1
28	C-256572	Key - Take Up	1
29	B-256131	Bearing - Flanged	1
30	B-256109	Arbor Assy. (Incls. items #29 & 31)	1
31	B-256131	Bearing - Flanged	1
32	RR-4-19	Retaining Ring	1
33	B-256110	Stud - Arbor	1
34	NS-17-3	Jam Nut - 1/4"-20 Hex Fin	1
35	B-256347	Clip - Retaining Arm	1
36	SC-18-28	Mach. Screw - #6-32 x 1/4" Phil. Pan Hd	2
37	SC-81-18	Mach. Screw - #10-32 x 1-1/8" Rd. Hd	1



PL-18110-1

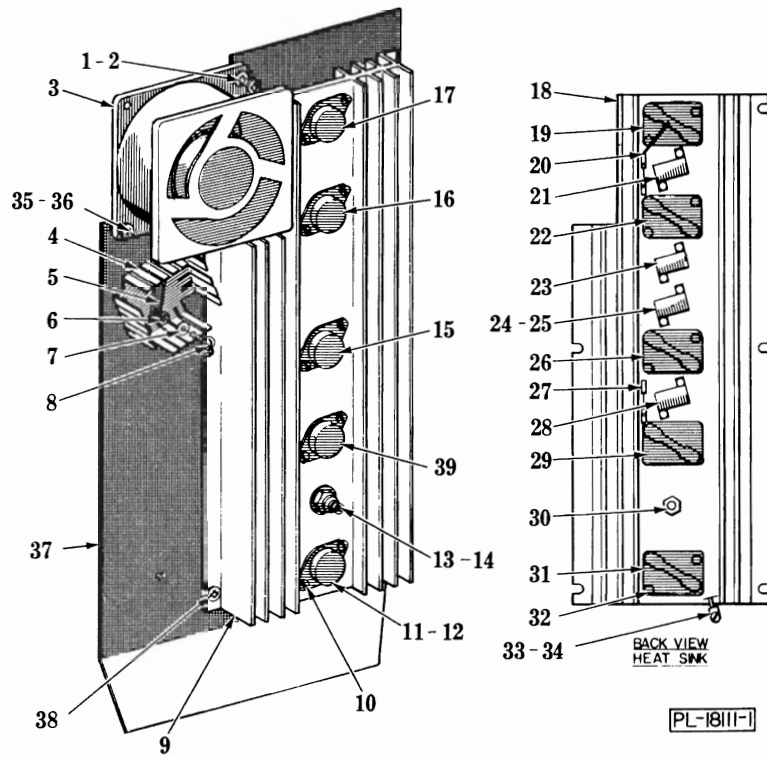
PC BOARD & MOUNTING BRACKET
(INK PRINTER)

**PC BOARD & MOUNTING BRACKET
(INK PRINTER)**

ILLUS. PL-18110-1	PART NO.	NAME OF PART	AMT.
1	B-253926	Standoff - Mounting Bracket	1
2	B-254080	Terminal Block	3
3	B-254083	Strip - Marker	1
4	SC-112-42	Mach. Screw - #6-32 x 1/2" Phil. Pan Hd	2
5	B-183076	Capacitor	1
6	B-183077	Rectifier	2
7	B-254078	Holder - PC Board Tie	3
8	SC-14-45	Mach. Screw - #8-32 x 3/8" Flat Hd	3
9	A-253369	Cable Tie	3
10	E-182873-2	Label Printer Board Assy. (3" Labels)	1
11	E-182873-3	Label Printer Board Assy. (2" Labels)	1
12	SC-18-28	Mach. Screw - #6-32 x 1/4" Phil. Pan Hd	7
13	WL-8-1	Lock Washer - #6 Int. Shakeproof	7
14	A-254687	Spacer	7
15	SC-18-28	Mach. Screw - #6-32 x 1/4" Phil. Pan Hd	2
16	WL-8-2	Lock Washer - #6 Int. Shakeproof	7
17	WL-8-2	Lock Washer - #6 Int. Shakeproof	7
18	SC-18-28	Mach. Screw - #6-32 x 1/4" Phil. Pan Hd	7
19	WL-8-1	Lock Washer - #6 Int. Shakeproof	2
20	NS-9-7	Mach. Nut - #6-32 Hex	2
21	C-254119	Motor Drive Board Assy	1
22	B-254089	Capacitor - 25 V.	1
23	SC-20-27	Mach. Screw - #8-32 x 3/8" Phil. Flat Hd	1
24	E-254014	Bracket - PC Board Mounting	1
25	B-254090	Capacitor - 75 V.	1
26	B-254088	Capacitor - 40 V.	1
27	B-183028	Resistor & Terminals Assy	1
28	B-253926	Standoff - Mounting Bracket	1
29	SC-18-34	Mach. Screw - #8-32 x 1/2" Phil. Pan Hd	1
30	B-183029	Resistor & Terminals Assy	1
31	SC-18-30	Mach. Screw - #8-32 x 1/4" Phil. Pan Hd	4
32	WL-7-7	Lock Washer - #8 Ext. Shakeproof	4
33	NS-9-9	Mach. Nut - #8-32 Hex	3
34	WL-3-12	Lock Washer - #8 Medium	3

**MOTORS AND SHAFT ASSY.
(INK PRINTER)**

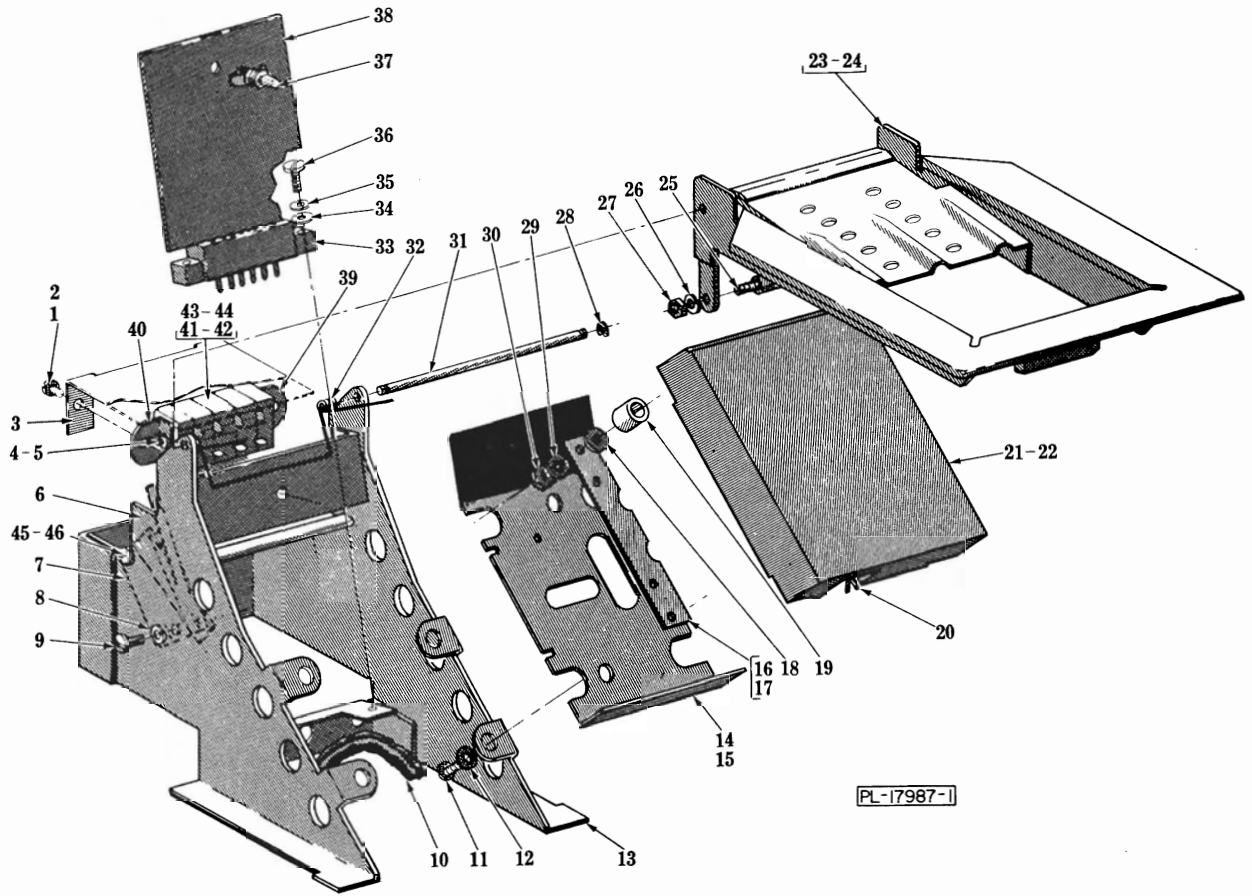
ILLUS. PL-18113-1	PART NO.	NAME OF PART	AMT.
1	SC-92-36	Cap Screw - #6-32 x 1/2" Soc. Hd	3
2	B-253947	Pulley	1
3	SC-47-96	Set Screw - #6-32 x 3/16"	1
4	B-253951	Belt - Drive	1
5	B-253949	Pulley - Type Wheel	1
6	B-253976	Stud - Tension Arm	1
7	B-253987	Spring - Tension Arm	1
8	RR-4-26	Retaining Ring	1
9	B-182755	Tension Arm Assy	1
10	B-182952	Roll Assy	1
11	A-250420	Washer	1
12	RR-7-13	Retaining Ring	1
13	B-253952	Coupling	1
14	C-182754	Motor & Tack Assy	1
15	C-253961	Block - Motor Mounting	1
16	SC-109-70	Cap Screw - #10-32 x 2" Soc. Hd	3
17	A-254943	Spacer	3
18	SC-113-8	Mach. Screw - #10-32 x 1/2" Phil. Pan Hd	2
19	WL-8-13	Lock Washer - #10 Int. Shakeproof	2
20	D-182961	Clutch Plate Assy	1
21	B-254986	Pulley - Ejector (3" Machines)	1
22	SC-47-74	Set Screw - #8-32 x 1/4"	1
23	SC-37-80	Cap Screw - #10-24 x 1/2" Hex Hd	1
24	SC-40-64	Cap Screw - #10-24 x 1/2" Soc. Hd	1
25	WS-2-32	Washer	2
26	SC-47-74	Set Screw - #8-32 x 1/4"	1
27	B-254031	Pulley - Burster & Eject Assy	1
28	B-254021	Belt - Ejector	1
29	RR-11-2	Retaining Ring	1
30	B-253817	Ball Bearing - NDH 773LO3	1
31	D-253967	Housing - Bearing	1
32	B-253816	Ball Bearing - NDH 455505	1
33	B-253963	Belt- Timing Clutch	1
34	C-182833	Clutch Brake Assy	1
35	A-45556	Washer - Shim	AR
36	B-253824	Arm - Catch	1
37	B-182984	Antighost Guide Assy	1
38	WL-8-7	Lock Washer - #8 Int. Shakeproof	2
39	SC-18-30	Mach. Screw - #8-32 x 1/4" Phil. Pan Hd	2
40	WS-23-47	Washer	3
41	WL-8-1	Lock Washer - #6 Int. Shakeproof	1
42	SC-18-28	Mach. Screw - #6-32 x 1/4" Phil. Pan Hd	1
43	B-254135	Screw - Shoulder	1
44	D-254583	Shaft - Print Drum	1
45	B-253823	Cleat	3
46	SC-40-88	Cap Screw - #6-32 x 1" Soc. Hd	3
47	B-253924	Spring - Arm Catch	1
48	D-182769	Print Drum Motor Assy	1
49	RR-11-21	Retaining Ring	1
50	B-254656	Standoff - Male to Female	1
51	WL-8-1	Lock Washer - #6 Int. Shakeproof	1
52	SC-18-28	Mach. Screw - #6-32 x 1/4" Phil. Pan Hd	1
53	D-254024	Plate	1
54	B-132874	Skirt Sensor Board Assy	1
55	SC-7-3	Mach. Screw - #4-40 x 3/16" Rd. Hd	2
56	WL-7-39	Lock Washer - #4 Ext. Shakeproof	2
57	B-254083	Strip - Marker	1
58	B-254080	Block - Terminal	1
59	SC-112-42	Mach. Screw - #6-32 x 1/2" Phil. Pan Hd	4
60	B-254077	Cover - Kit	1
61	D-182770	Burster Motor Assy	1
62	B-253956	Stud - Anti Rotation	1



HEAT SINK ASSY.
(INK PRINTER)

**HEAT SINK ASSY.
(INK PRINTER)**

ILLUS. PL-18111-1	PART NO.	NAME OF PART	AMT.
1	WL-8-1	Lock Washer - #6 Int. Shakeproof	1
2	SC-18-29	Mach. Screw - #6-32 x 3/8" Phil. Pan Hd	1
3	B-182787	Fan Assy	1
4	B-254042	Heat Sink	1
5	B-254636	Insulator	2
6	A-252242	Washer - Shoulder	2
7	WL-7-39	Lock Washer - #4 Int. Shakeproof	2
8	SC-113-10	Mach. Screw - #4-40 x 3/8" Pan Hd	2
9	D-182706	Heat Sink Assy. (Incls. items #10 thru 34 & 39)	1
10	SD-33-16	Self-Tapping Screw - #6-20 x 1/2" Slotted Hex Hd	10
11	B-253758	Transistor (Q5)	1
12	A-176838	Insulator	5
13	B-182700	Mounting Kit	1
14	A-254617	Insulator - Thermal Film	1
15	B-253758	Transistor (Q3)	1
16	B-253758	Transistor (Q2)	1
17	B-253758	Transistor (Q1)	1
18	D-253766	Heat Sink	1
19	A-176836	Socket - To - 3 Case (Q1)	1
20	526880	Tubing - Turboglass	AR
21	B-253759	Resistor	1
22	A-176836	Socket - To - 3 Case (Q2)	1
23	B-253760	Resistor	1
24	B-253760	Resistor	1
25	SC-112-80	Mach. Screw - #2-56 x 1/4" Pan Hd	8
26	A-176836	Socket - To - 3 Case (Q3)	1
27	A-178228	Diode	4
28	B-253759	Resistor	1
29	A-176836	Socket - To - 3 Case (Q4)	1
30	B-253762	Diode	1
31	A-176836	Socket - To - 3 Case (Q5)	1
32	SD-15-26	Mach. Screw #4-40 x 1/4" Phil. Pan Hd. "Taptite"	10
33	B-253761	Tie - Cable	1
34	SD-33-79	Self-Tapping Screw - #4-40 x 3/4"	1
35	WL-7-2	Lock Washer - #6 Ext. Shakeproof	2
36	SC-18-29	Mach. Screw - #6-32 x 3/8" Phil. Pan Hd	2
37	D-182887	Heat Sink Mounting Plate Assy	1
38	SC-18-30	Mach. Screw - #8-32 x 1/4" Phil. Pan Hd	5
39	B-253758	Transistor (Q4)	1



LABEL HEATER
(INK PRINTER)

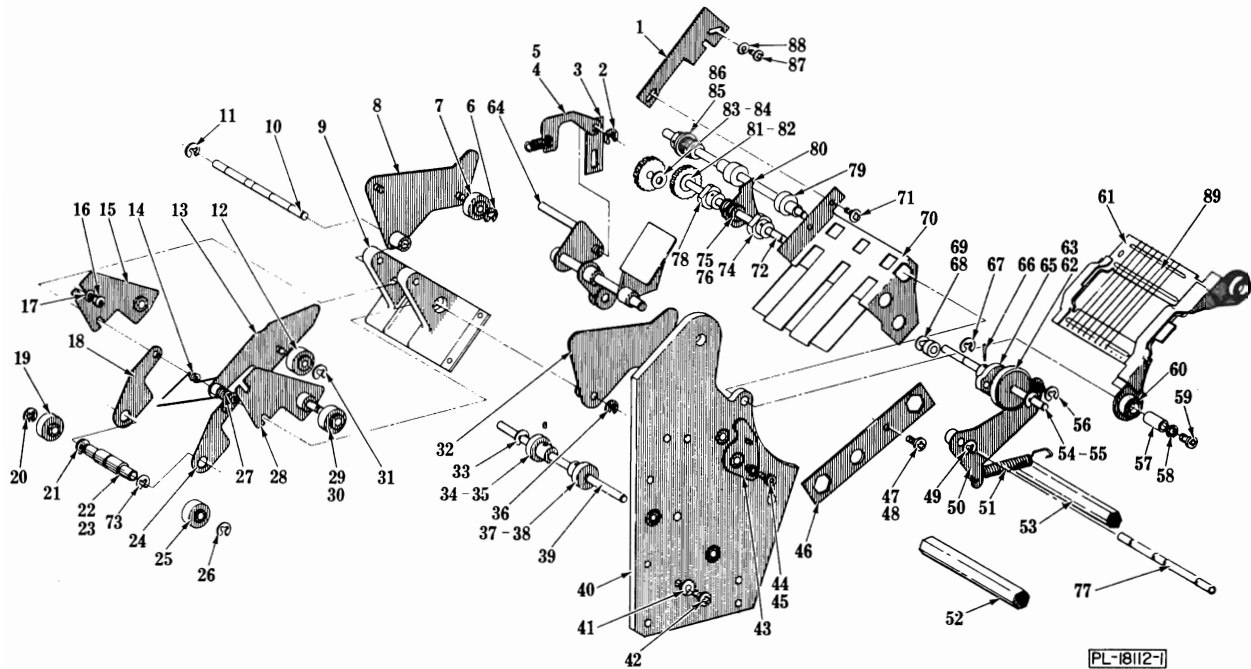
**LABEL HEATER
(INK PRINTER)**

ILLUS. PL-17987-1	PART NO.	NAME OF PART	AMT.
1	WL-3-3	Lock Washer - #4 Medium	2
2	SC-18-68	Mach. Screw - #4-40 x 1/4" Pan Hd	2
3	B-254921	Guard - Ejector Terminal	1
4	SC-112-79	Mach. Screw - #2-56 x 1-1/2" Pan Hd	1
5	NS-46-7	Mach. Nut - #2-56 Hex	1
6	B-253883	Plate - Screw	1
7	B-253882	Switch	1
8	WL-3-3	Lock Washer - #4 Medium	1
9	SC-18-43	Mach. Screw - #4-40 x 5/8" Phil. Pan Hd	1
10	A-251339	Sleeve - Protective	1
11	SC-18-31	Mach. Screw - #8-32 x 3/8" Pan Hd	4
12	WL-8-7	Lock Washer - #8 Int. Shakeproof	4
13	D-182774	Heater Frame Assy	1
*14	C-254578	Heat Baffle	1
**15	C-253884	Heat Baffle	1
*16	B-254576	Insulator Strip	2
**17	B-254572	Insulator Strip	2
18	A-179496	Mica Washer	4
19	B-254575	Spacer - Heater Block	4
20	B-253957	Cartridge - Heater	2
*21	C-254278	Heater Block	1
**22	C-254045	Heater Block	1
*23	C-182805	Label Retainer Assy	1
**24	C-182773	Label Retainer Assy	1
25	B-253885	Stud - Stop	2
26	WL-4-40	Lock Washer - #10 Medium	2
27	NS-9-30	Mach. Nut - #10-32 Hex	2
28	RR-10-21	Retaining Ring	2
29	WL-8-7	Lock Washer - #8 Int. Shakeproof	4
30	NS-9-12	Mach. Nut - #8-32 Hex	4
31	B-253931	Shaft - Ejector	1
32	A-31661	Spring - Chute	1
33	B-254093	Connector	1
34	WS-29-24	Washer	2
35	WL-3-3	Lock Washer - #4 Medium	2
36	SC-18-44	Mach. Screw - #4-40 x 1/2" Phil. Pan Hd	2
37	B-254081	Support - Spring Lock	1
38	D-182722	Heater Control Board Assy	1
39	B-253933	Connector - Ejector 8 Pin	1
40	31053	Bracket - Single Tier	2
41	31059	End Section - Raised Key Slot	1
42	A-33223	Contact - Male	8
43	31055	Center Section - Black	3
44	31054	End Section - Recessed Key Slot	1
45	SC-18-43	Mach. Screw - #4-40 x 5/8" Phil. Pan Hd	1
46	WS-2-12	Washer	1
	D-182780	Ejector - Connector Harness (Incls. items #4, 5, 33 & 39 thru 44)	1

*5000 Label Heater (2").

**5000 Label Heater (3").

5000 REPLACEMENT PARTS

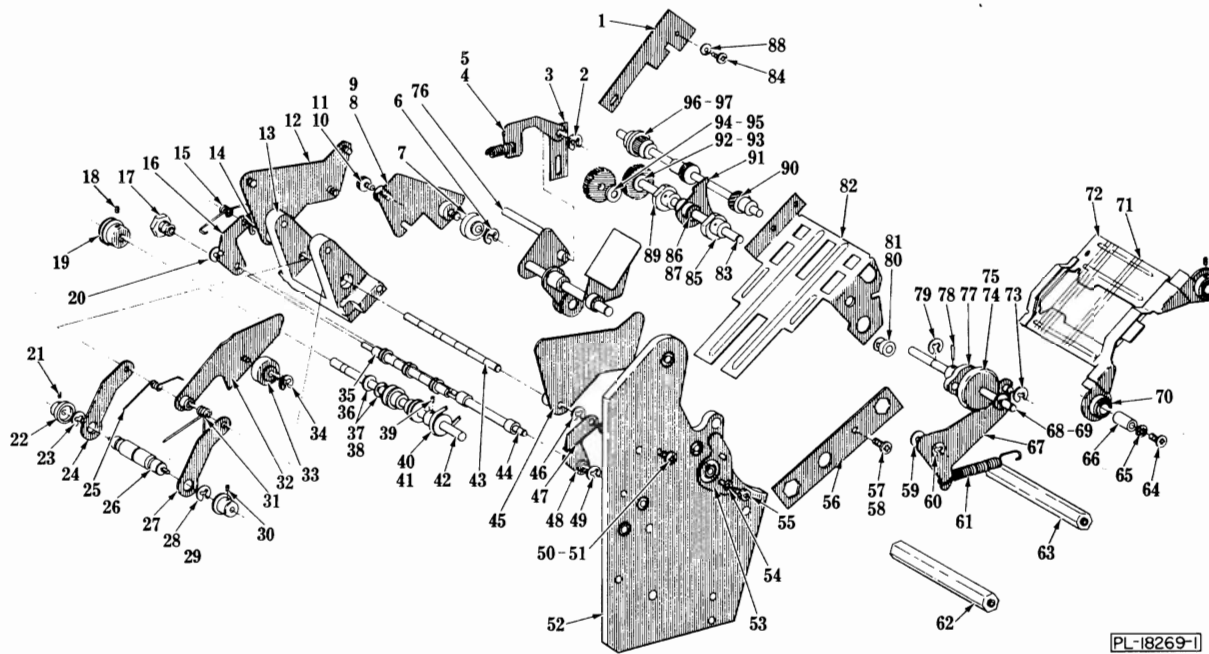


3" BURSTER ASSY.
(INK PRINTER)

ILLUS. NO.	PART NO.	NAME OF PART	AMT.
1	C-253857	Bracket - Sensor	1
2	RR-8-20	Retaining Ring	2
3	B-253890	Link - Short	2
4	B-253915	End - Spring	2
5	B-253886	Spring - Front Extension	2
6	RR-4-22	Retaining Ring	1
7	B-182719	Roller - Paper Feed	1
8	B-182742	Paper Tension Arm Assy	1
9	C-254060	Bracket - Feed Roll	1
10	B-254085	Shaft - Tension Arm	1
11	RR-4-22	Retaining Ring	1
12	B-182719	Roller - Paper Feed	1
13	B-182730	Upper Burster Arm Assy	1
14	B-253904	Spring - Upper Tension	1
15	B-182743	Ejector Roll Plate Assy	1
16	SC-40-61	Cap Screw - #8-32 x 3/8" Soc. Hd	2
17	WS-23-45	Washer	2
18	B-253916	Arm - Feed Roll	1
19	B-182719	Roller - Paper Tension	1
20	RR-4-26	Retaining Ring	1

**3" BURSTER ASSY. (Cont.)
(INK PRINTER)**

ILLUS. PL-18112-1	PART NO.	NAME OF PART	AMT.
21	RR-4-19	Retaining Ring	1
22	B-254958	Sleeve - Ejector Shaft	1
23	B-254086	Shaft - Roll	1
24	B-253916	Arm - Feed Roll	1
25	B-182719	Roller - Paper Tension	1
26	RR-4-26	Retaining Ring	1
27	B-254392	Spring - Torsion	1
28	B-182744	Ejector Roll Plate Assy	1
29	B-182719	Roller - Paper Feed	2
30	RR-4-26	Retaining Ring	2
31	RR-4-26	Retaining Ring	1
32	B-182741	Paper Tension Arm Assy	1
33	RR-4-26	Retaining Ring	1
34	B-253796	Roll - Label Ejector	1
35	SC-55-32	Set Screw - #6-32 x 3/16"	1
36	RR-4-22	Retaining Ring	1
37	B-253796	Roll - Label Ejector	1
38	SC-55-32	Set Screw - #6-32 x 3/16"	1
39	B-254056	Shaft - Ejector	1
40	C-254094	Front Frame Assy	1
41	WL-3-12	Lock Washer - #8 Medium	5
42	SC-18-31	Mach. Screw - #8-32 x 3/8" Phil. Pan Hd	5
43	B-182986	Slide Adjustment Assy	1
44	SC-40-73	Cap Screw - #6-32 x 1/4" Soc. Hd	2
45	WL-7-2	Lock Washer - #6 Ext. Shakeproof	2
46	B-254146	Link	1
47	WL-3-12	Lock Washer - #8 Medium	1
48	SC-18-31	Mach. Screw - #8-32 x 3/8" Phil. Pan Hd	1
49	RR-4-26	Retaining Ring	1
50	B-182729	Clamp Cam Arm Assy	1
51	B-253889	Spring - Paper Clamp	1
52	B-253891	Standoff	1
53	B-253888	Standoff	1
54	B-182714	Drive Shaft Assy. (Incls. items #66 & 84)	1
55	RR-4-26	Retaining Ring	1
56	RR-4-22	Retaining Ring	1
57	B-254846	Spacer	2
58	WL-8-7	Lock Washer - #8 Int. Shakeproof	2
59	SC-18-30	Mach. Screw - #8-32 x 1/4" Phil. Pan Hd	2
60	SC-47-96	Set Screw - #6-32 x 3/16"	2
61	C-182861	Antighosting Bracket Assy	1
62	B-254665	Flywheel	1
63	SC-47-74	Set Screw - #8-32 x 1/4"	2
64	C-182783	Latch Arm Assy	1
65	A-45296	Washer Special	3
66	PS-5-5	Pin - Spirol	1
67	RR-4-26	Retaining Ring	1
68	B-253896-1	Roll	1
69	RR-4-26	Retaining Ring	1
70	C-182775	Table - Paper	1
71	SC-18-34	Mach. Screw - #8-32 x 1/2" Phil. Pan Hd	1
72	B-182782	Burster Shaft Assy. (Incls. items #74, 78 & 82)	1
73	RR-4-19	Retaining Ring	1
74	PS-5-4	Pin - Spirol	1
75	RR-4-26	Retaining Ring	2
76	WS-2-38	Washer	2
77	B-254055	Shaft - Burster	1
78	PS-5-4	Pin - Spirol	1
79	C-182716	Drive Shaft Assy	1
80	C-253960	Clamp	1
81	A-250177	Washer - Shim	1
82	PT-3-3	Pin - Taper	1
83	A-250177	Washer - Shim	1
84	PT-3-3	Pin - Taper	1
85	B-253900	Pulley - Timing Belt	1
86	SC-47-84	Set Screw - #6-32 x 1/8"	2
87	SC-18-30	Mach. Screw - #8-32 x 1/4" Phil. Pan Hd	1
88	B-253894	Spring - Curved Washer	1
89	A-254608	Wire - Music	1

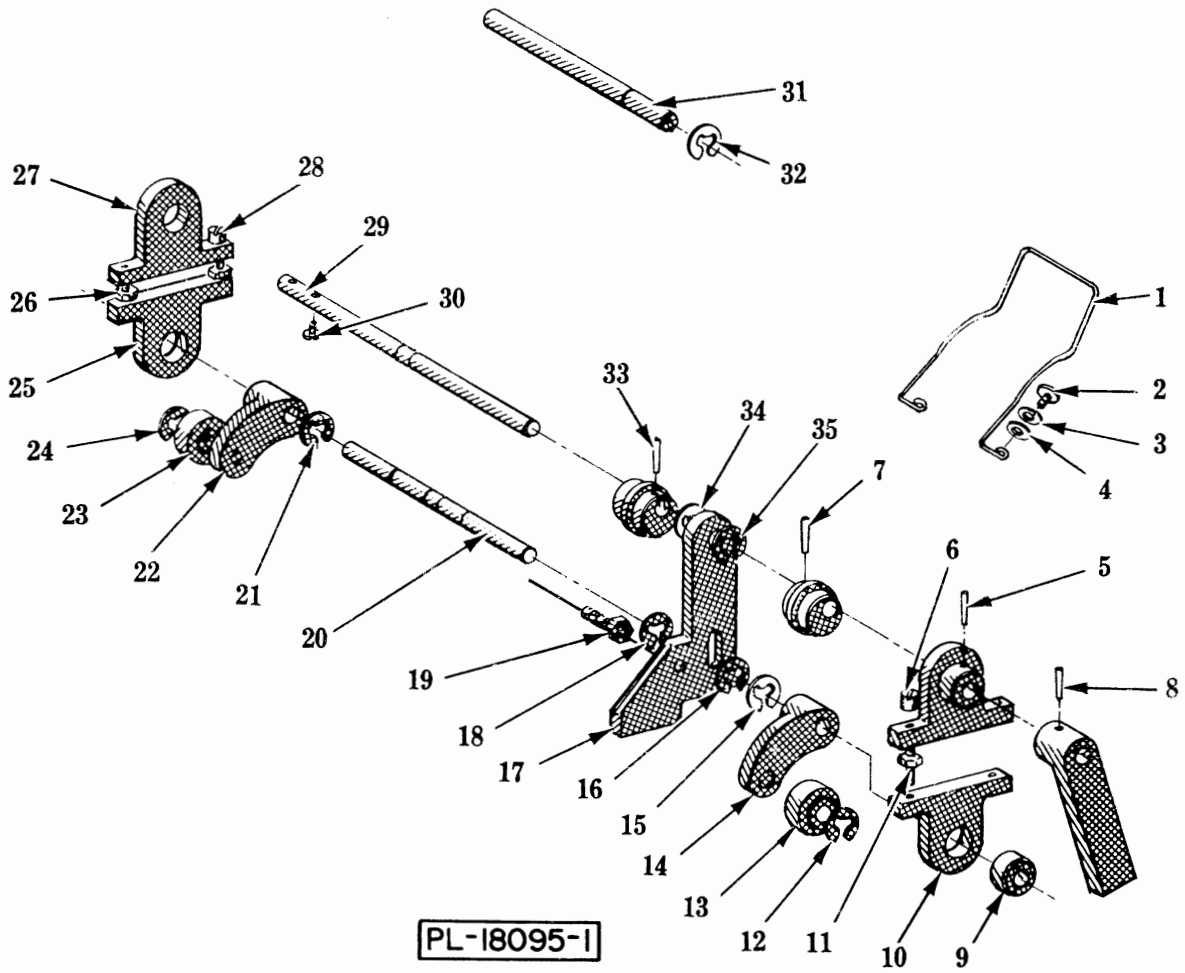


**2" BURSTER ASSY.
(INK PRINTER)**

ILLUS. PL-18269-1	PART NO.	NAME OF PART	AMT.
1	C-253857	Bracket - Sensor	1
2	RR-8-20	Retaining Ring	2
3	B-253890	Link - Short	2
4	B-253915	Front Spring Assy	2
5	B-253886	Spring - Front Extension	2
6	RR-4-26	Retaining Ring	2
7	B-182719	Roller - Paper Feed	2
8	B-182744	Ejector Roll Plate Assy. (R. H.)	1
9	B-182743	Ejector Roll Plate Assy. (L.H.)	1
10	WS-23-45	Washer	2
11	SC-40-61	Cap Screw - #8-32 x 3/8" Soc. Hd	2
12	B-182742	Paper Tension Arm Assy	1
13	C-254992	Bracket - Feed Roll	1
14	RR-4-22	Retaining Ring	1
15	B-254980	Spring - Secondary Ejector	1
16	B-183039	Idler Arm Assy	1
17	B-183059	Bearing Block Assy	1
18	SC-47-74	Set Screw - #8-32 x 1/4" Hdls	1
19	B-254986	Pulley - Ejector	1
20	RR-4-23	Retaining Ring	1
21	SC-47-84	Set Screw - #6-32 x 1/8"	1
22	B-255039	Roller - Ejector	1
23	RR-4-19	Retaining Ring	1
24	B-254988	Arm - Feed Roll	1
25	B-253904	Spring - Upper Torsion	1
26	B-183079	Ejector Sleeve Assy	1
27	B-254988	Arm - Feed Roll	1
28	RR-4-19	Retaining Ring	1

2" BURSTER ASSY. (Cont.)
(INK PRINTER)

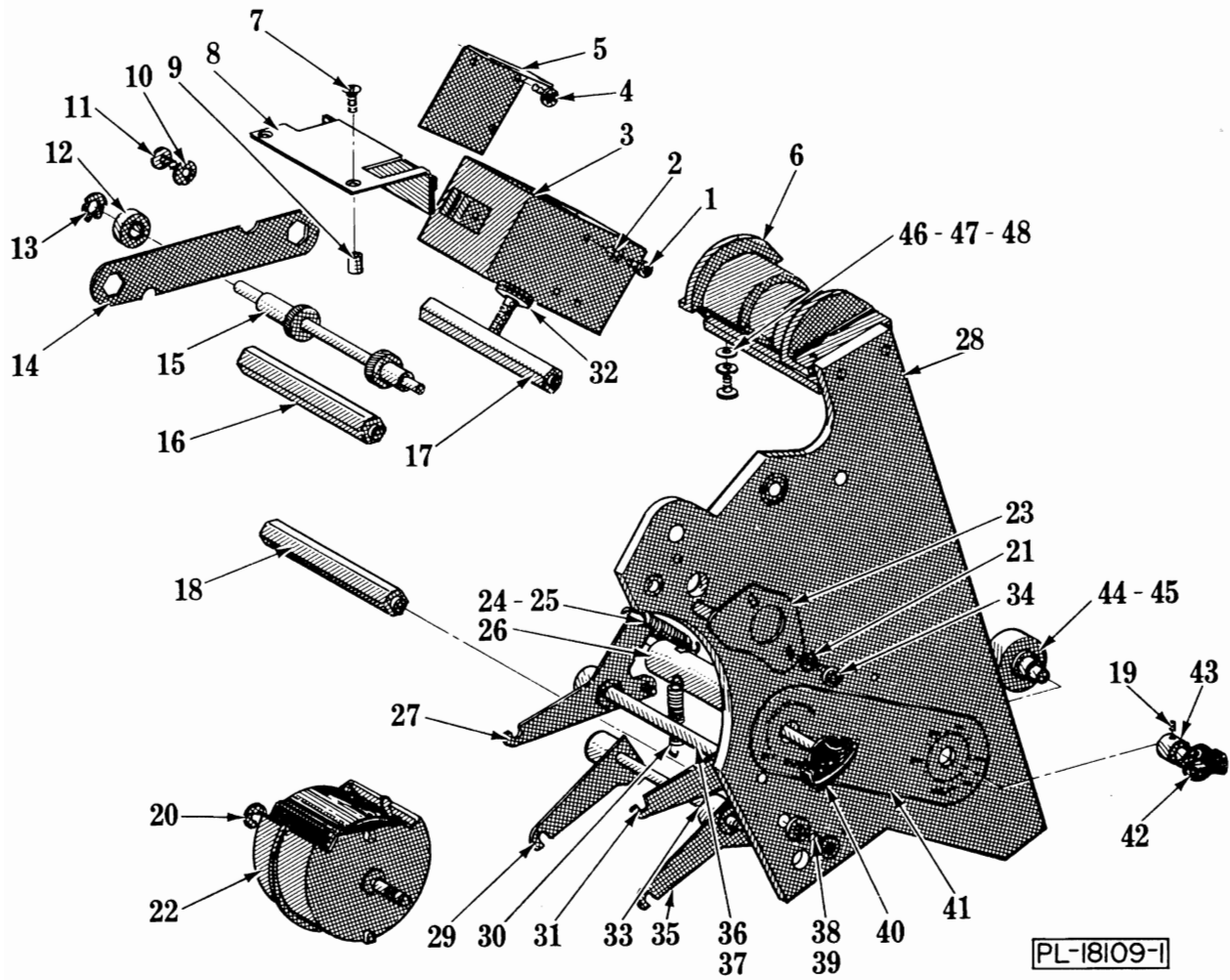
ILLUS. PL-18269-1	PART NO.	NAME OF PART	AMT.
29	B-255039	Roller - Ejector	1
30	SC-47-84	Set Screw - #6-32 x 1/8"	1
31	B-254392	Spring - Torsion	1
32	B-182730	Upper Burster Arm Assy	1
33	B-182719	Roller - Paper Feed	1
34	RR-4-26	Retaining Ring	1
35	B-255025	Spacer - Secondary Ejector	1
36	B-183052	Secondary Ejector Shaft Assy	1
37	RR-4-26	Retaining Ring	2
38	WS-3-3	Washer	1
39	SC-75-8	Set Screw - #6-32 x 1/8"	3
40	B-254982	Roll - Label Ejector	3
41	B-254979	"O" Ring	3
42	B-254989	Shaft - Ejector	1
43	B-254085	Shaft - Tension Arm	1
44	B-183053	Secondary Idler Assy	1
45	B-182741	Paper Tension Arm Assy	1
46	RR-4-22	Retaining Ring	1
47	B-254981	Spring - Secondary Ejector	1
48	B-183038	Idler Arm Assy	1
49	RR-4-23	Retaining Ring	1
50	WL-3-12	Lock Washer - #8 Medium	5
51	SC-18-31	Mach. Screw - #8-32 x 3/8" Phil. Pan Hd	5
52	C-183060	Front Frame Assy	1
53	B-182986	Slide Adjustment Assy	1
54	WL-7-2	Lock Washer - #6 Ext. Shakeproof	2
55	SC-40-73	Cap Screw - #6-32 x 1/4" Soc. Hd	2
56	B-254146	Link	1
57	SC-18-31	Mach. Screw - #8-32 x 3/8" Phil. Pan Hd	1
58	WL-3-12	Lock Washer - #8 Medium	1
59	A-45296	Washer	3
60	RR-4-26	Retaining Ring	1
61	B-253889	Spring - Paper Clamp	1
62	B-253891	Standoff	1
63	B-253888	Standoff	1
64	SC-18-30	Mach. Screw - #8-32 x 1/4" Phil. Pan Hd	2
65	WL-8-7	Lock Washer - #8 Int. Shakeproof	2
66	B-254846	Spacer	2
67	B-182729	Arm Cam Clamp Assy	1
68	B-182714	Drive Shaft Assy. (Incls. items #78 & 95)	1
69	RR-4-26	Retaining Ring	1
70	SC-47-96	Set Screw - #6-32 x 3/16"	2
71	A-254608	Wire - Music	1
72	C-182859	Antighosting Assy	1
73	RR-4-22	Retaining Ring	1
74	B-254665	Flywheel	1
75	SC-47-74	Set Screw - #8-32 x 1/4"	2
76	C-182783	Latch Arm Assy	1
77	A-45296	Washer - Special	3
78	PS-5-5	Pin - Spirol	1
79	RR-4-26	Retaining Ring	1
80	B-253896-1	Roll	1
81	RR-4-26	Retaining Ring	1
82	D-254993	Table - Paper	1
83	B-182782	Shaft - Burster	1
84	SC-18-30	Mach. Screw - #8-32 x 1/4" Phil. Pan Hd	1
85	PS-5-4	Pin - Spirol	1
86	RR-4-26	Retaining Ring	2
87	WS-2-38	Washer	2
88	B-253894	Spring - Curved Washer	1
89	PS-5-4	Pin - Spirol	1
90	C-182716	Drive Shaft Assy	1
91	C-253960	Clamp	1
92	A-250177	Washer - Shim	1
93	PT-3-3	Pin - Taper	1
94	A-250177	Washer - Shim	1
95	PT-3-3	Pin - Taper	1
96	B-253900	Pulley - Timing Belt	1
97	SC-47-84	Set Screw - #6-32 x 1/8" Cup Pt	2



HAMMER SUPPORT ASSY.
(INK PRINTER)

**HAMMER SUPPORT ASSY.
(INK PRINTER)**

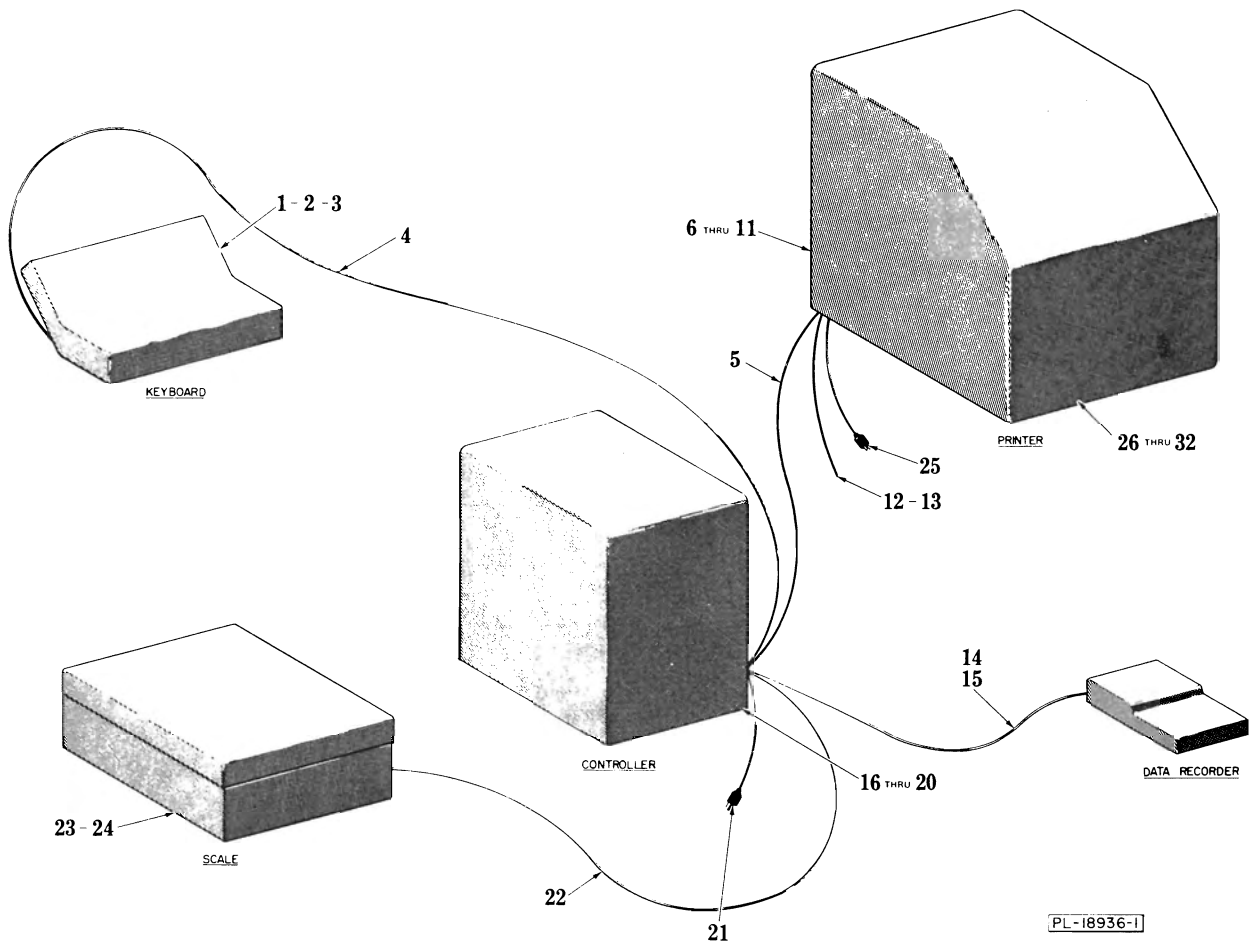
ILLUS. PL-18095-1	PART NO.	NAME OF PART	AMT.
1	B-255000	Spring - Paper Guide	1
2	SC-18-29	Mach. Screw - #6-32 x 3/8" Phil. Pan Hd	2
3	WL-3-9	Lock Washer - #6 Medium	2
4	WS-23-15	Washer	2
5	RP-4-10	Roll Pin	1
6	A-254590	Nut - Jam	2
7	PT-3-3	Pin - Taper	1
8	PS-5-5	Pin - Spirol	1
9	B-254054	Spacer	1
10	B-253909	Link - Lower	1
11	A-254589	Adjustment Screw	2
12	RR-4-26	Retaining Ring	1
13	B-182719	Roller - Paper Feed	1
14	B-182748	Roller Arm Assy. (R.H.)	1
15	RR-4-26	Retaining Ring	1
16	RR-4-26	Retaining Ring	1
17	C-254057	Pitman	1
18	RR-4-26	Retaining Ring	1
19	B-182747	Tension Finger Assy	1
20	B-253936	Shaft - Roller Arm	1
21	RR-4-26	Retaining Ring	1
22	B-182749	Roller Arm Assy. (L.H.)	1
23	B-182719	Roller - Paper Feed	1
24	RR-4-26	Retaining Ring	1
25	B-253909	Link - Lower	1
26	A-254589	Adjustment Screw	2
27	B-253908	Link - Upper	2
28	A-254590	Nut - Jam	2
29	C-254053	Cam Line Assy	1
30	SC-81-41	Mach. Screw - #4-40 x 5/16" Rd. Hd	2
31	B-255026	Shaft - Hammer Support	1
32	RR-4-26	Retaining Ring	1
33	PT-3-3	Pin - Taper	1
34	RR-4-26	Retaining Ring	1
35	RR-4-26	Retaining Ring	1



INKER, FRAME & AUX. FEED ROLL
(INK PRINTER)

**INKER, FRAME & AUX. FEED ROLL
(INK PRINTER)**

ILLUS. PL-18109-1	PART NO.	NAME OF PART	AMT.
1	SC-18-70	Mach. Screw - #8-32 x 7/16" Phil. Pan Hd	4
2	WL-7-7	Lock Washer - #8 Ext. Shakeproof	4
3	B-182800	Solenoid	1
4	SC-112-94	Mach. Screw - #8-32 x 3/16" Phil. Pan Hd	2
5	B-182876	Decal & Bracket Assy	1
6	D-254092	Guide - Paper	1
7	SC-22-81	Mach. Screw - #4-40 x 1/2" Flat Hd	2
8	B-182971	Table - Paper	1
9	B-253770	Spacer - Table	2
10	WL-3-12	Lock Washer - #8 Medium	4
11	SC-18-31	Mach. Screw - #8-32 x 3/8" Phil. Pan Hd	4
12	B-253799	Ball Bearing	2
13	B-253798	Spring - Finger	2
14	B-253897	Link	1
15	C-182717	Auxiliary Drive Shaft Assy	1
16	B-253809	Standoff	1
17	B-253789	Standoff	1
18	B-253774	Standoff	1
19	SC-47-84	Set Screw - #6-32 x 1/8"	2
20	RR-10-6	Retaining Ring	2
21	WL-7-2	Lock Washer - #6 Ext. Shakeproof	4
22	B-182771	Inker Assy. (Incls. item #20)	1
23	B-182985	Slide Adjustment Assy	1
24	B-253782	Spring - Inker	2
25	B-253786	Stud - Inker Spring	2
26	C-254956	Cam - Inker Adjust	1
27	B-182708	Upper Inker Arm Assy	1
28	C-182750	Inker Frame Assy	1
29	PS-5-6	Pin - Spirol	1
30	B-253781	Spring - Extension	1
31	B-182708	Upper Inker Arm Assy	1
32	B-253895	Screw - Thumb	1
33	B-182710	Lower Inker Line Assy. (Incls. items #29 & 35)	1
34	SC-40-73	Cap Screw - #6-32 x 1/4" Soc. Hd	4
35	PS-5-6	Pin - Spirol	1
36	B-253775	Shaft	1
37	RR-7-13	Retaining Ring	4
38	WL-3-12	Lock Washer - #8 Medium	2
39	SC-18-31	Mach. Screw - #8-32 x 3/8" Phil. Pan Hd	2
40	A-33336	Knob - Pointer	1
41	B-254972	Plate - Dial	1
42	A-33336	Knob - Pointer	1
43	B-254140	Extension - Pot Shaft	1
44	FE-6-17	Wire Nut	2
45	A-181870	Potentiometer Assy	1
46	SD-15-26	Self-Tapping Screw - #4-40 x 1/4" Phil. Pan Hd. "Taptite"	2
47	WL-3-3	Lock Washer - #4 Medium	2
48	WS-29-24	Washer	2



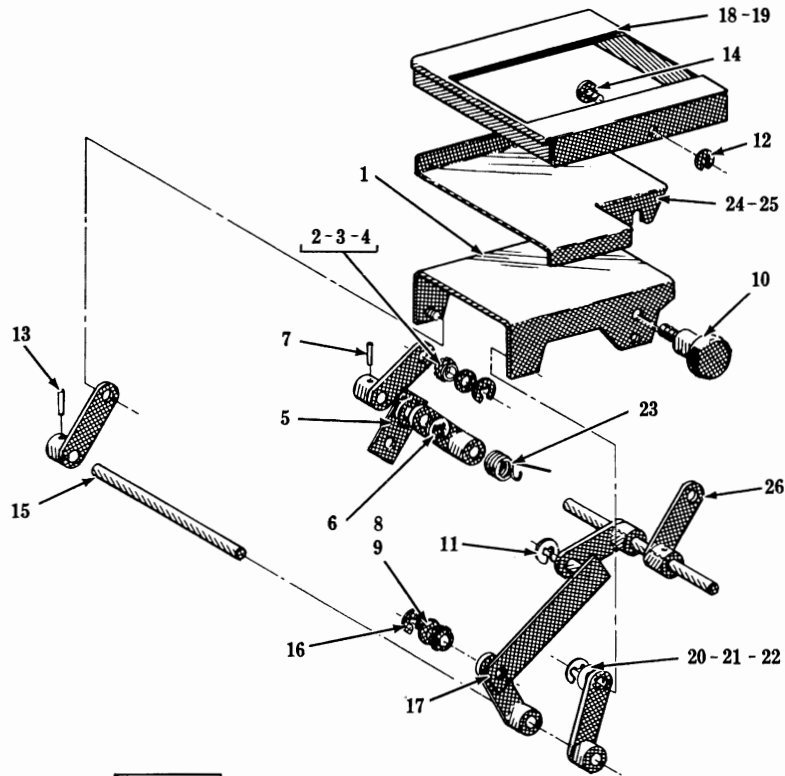
WIRING HARNESS

WIRING HARNESS

ILLUS. PL-18936-1	PART NO.	NAME OF PART	AMT.
1	B-182816	Cable - Keyboard (26 Cond.)	1
2	B-182821	Cable - Sense Switch Board Assy. (14 Cond.)	1
3	B-182822	Cable - Display Assy. (34 Cond.)	1
4	B-182933	Power/Signal Cable Assy	1
5	B-182933	Power/Signal Cable Assy	1
*6	D-182766	Harness - Communication Assy. (Incls. 2J15 & 2J3)	1
*7	F-182777	Harness - Main Machine (Incls. 2J1, 2J19, 2J14 & 2J13)	1
*8	F-182784	Harness - Printer Power Supply (Connects with Circuit Breakers)	1
*9	D-182761	Harness - CPU Power Assy. (Incls. 2J5)	1
*10	D-182780	Harness - Ejector Connector Assy	1
*11	B-182930	Harness Assy. - Clutch	1
*12	C-182978	Cable Assy. (Printer to ILA)	1
*13	C-183027-1	ILA Interconnect Harness (Incls. 2J10 & 2J10)	1
14	C-183030	Cable - Interface (22")	1
15	C-183031	Cable - Interface (52")	1
16	C-183026-1	Power/Signal Harness Assy. (Incls. 3J1 & 3J18)	1
17	B-182914	Harness Assy. (Incls. RS-232 & 1J21)	1
18	B-182906	Cable - Controller Assy. (34 Cond.) (Incls. 1J15 & 1J11)	1
19	F-182913-1	Harness - Communication Assy. (Incls. 1J13, 1J14 & 1J1 thru 1J10)	1
20	C-182927	Cable Assy. (Incls. 1J22 & 1J5)	1
21	B-182966	Cord Set Assy.	1
22	C-182940	Power/Signal Cable Assy	1
23	C-182865	Mother Board to XFMR Cable Assy	1
24	C-182866	Scale Communications Cable Assy. (Incls. 4J1 & 4J2)	1
*25	C-182841	Power Cord Assy	1
**26	C-256400	Power Cord Assy	1
**27	C-256401-1	Harness Assy. - Power On (Incls. P1, DS5, SW1 & SW2)	1
**28	C-256413	Harness Assy. - Label Sensor (Incls. P4)	1
**29	C-256416-1	Harness Assy. - Label Take Sensor (Incls. P1, P2 & P5)	1
**30	C-256987-1	Harness Assy. - Filter, ILA (Incls. 1J2 & P3)	1
**31	C-256986-1	Harness Assy. - Filter, Communication (Incls. 1J1 & P2)	1
**32	C-256980-1	Harness - Communication (Incls. P1, P2 & P3)	1

*Ink Printer.

**Thermal Printer.

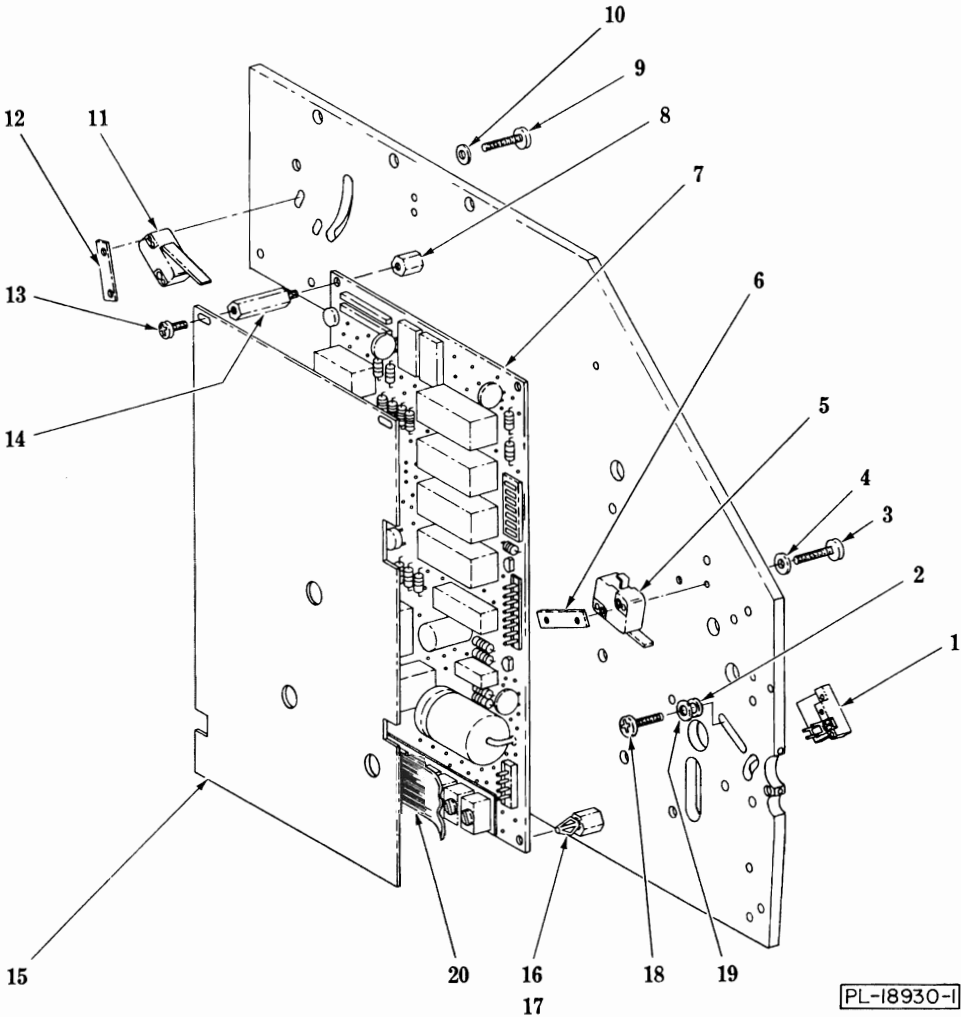


PL-18114-1

PLATTEN MECH.
(USED WITH LOGO PRINTER)
(INK PRINTER)

**PLATTEN MECH.
(USED WITH LOGO PRINTER)
(INK PRINTER)**

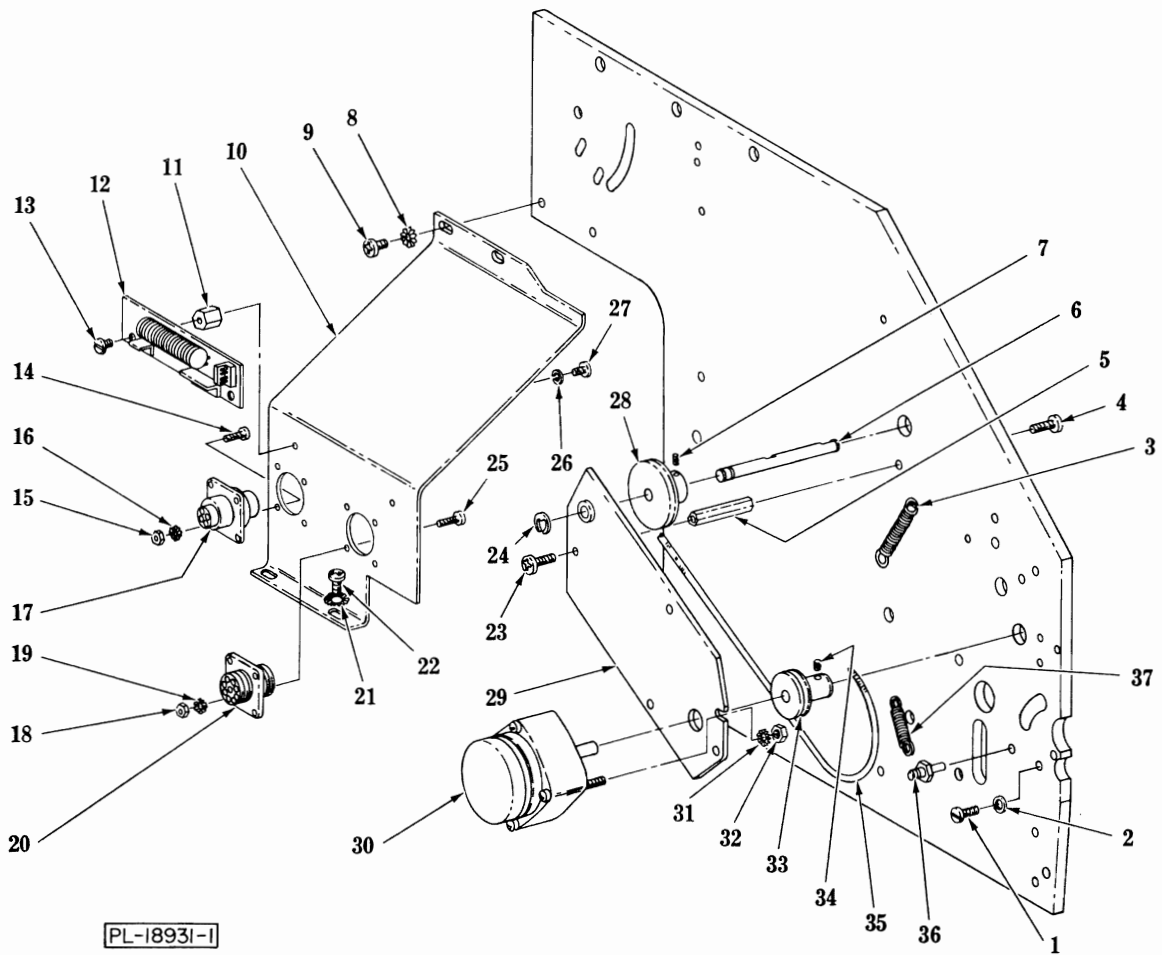
ILLUS. PL-18114-1	PART NO.	NAME OF PART	AMT.
1	C-182757	Platten Assy	1
2	B-253826	Eccentric	1
3	B-253894	Spring - Curved Washer	1
4	RR-6-13	Retaining Ring	1
5	B-182727	Solenoid Link Assy	1
6	RR-4-26	Retaining Ring	1
7	PT-3-3	Pin - Taper	1
8	B-253826	Eccentric	1
9	B-253894	Spring - Curved Washer	1
10	B-254974	Screw - Shoulder	1
11	RR-4-26	Retaining Ring	1
12	RR-11-30	Retaining Ring	1
13	PT-3-3	Pin - Taper	3
14	B-254854	Screw - Special	1
15	C-182751	Front Logo Line Assy. (Incls. item #13)	1
16	RR-6-13	Retaining Ring	1
17	C-182728	Drag Link Assy	1
18	B-182968	Mask - Logo (#5 Label)	1
19	B-182967	Mask - Logo (#6 Label)	1
20	B-253826	Eccentric	1
21	RR-6-13	Retaining Ring	1
22	B-253894	Spring - Curved Washer	1
23	B-253920	Spring - Torsion	1
24	B-182804	Pad & Plate Assy. (Ref.) (#5 Label)	1
25	B-182803	Pad & Plate Assy. (Ref.) (#6 Label)	1
26	B-182752	Rear Logo Line Assy. (Incls. item #7)	1
	C-182758	Platten Mechanism Assy. (Incls. items #1, 2, 3, 4, 6, 8, 9, 10, 11, 15, 16, 17, 20, 21, 22, 23 & 26)	1



CIRCUIT BOARD & SWITCHES
(THERMAL PRINTER)

**CIRCUIT BOARD & SWITCHES
(THERMAL PRINTER)**

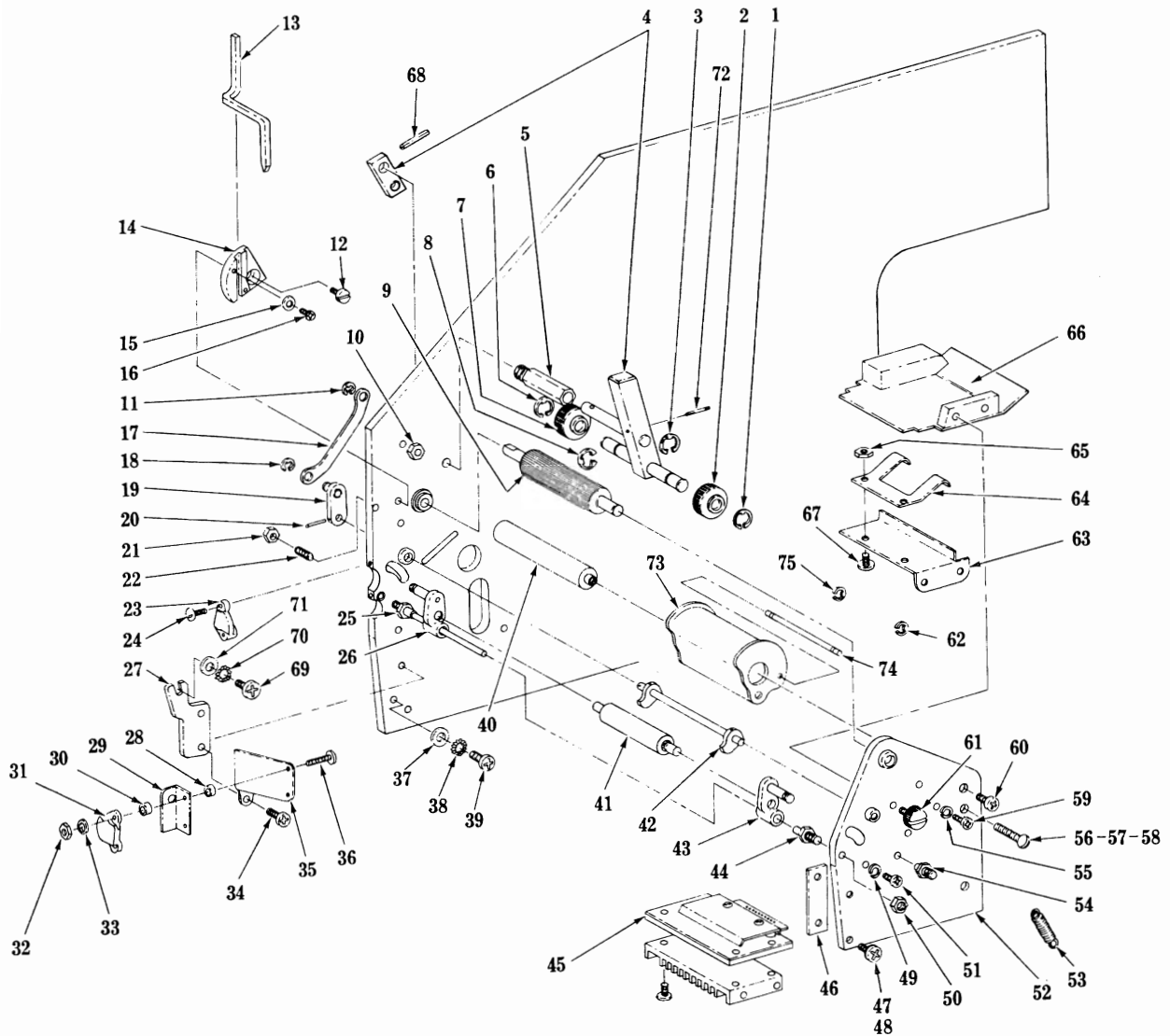
ILLUS. PL-18930-1	PART NO.	NAME OF PART	AMT.
1	*	Sensor (Part of Harness Assy. C-256413) (Shown for Mounting Purposes Only)	1
2	WL-3-9	Lock Washer - #6 Medium	2
3	SC-113-19	Mach. Screw - #4-40 x 7/8" Phil. Pan Hd	2
4	WS-29-24	Washer	2
5	B-256512	Switch - Miniature	1
6	B-253883	Plate - Screw	1
7	E-256352	Logic Board Assy	1
8	B-256344	Standoff - Logic Board	2
9	SC-113-19	Mach. Screw - #4-40 x 7/8" Phil. Pan Hd	2
10	WS-29-24	Washer	2
11	B-256512	Switch - Miniature	1
12	B-253883	Plate - Screw	1
13	SC-18-29	Mach. Screw - #6-32 x 3/8" Phil. Pan Hd	2
14	B-255467	Standoff - Circuit Board Shield	2
15	D-256979	Shield - Circuit Board	1
16	B-256433	Support - Logic Board Assy	1
17	SD-32-22	Self-Tapping Screw - #6-32 x 1/2" Phil. Pan Hd., Type T	1
18	SC-112-42	Mach. Screw - #6-32 x 1/2" Phil. Pan Hd	2
19	WS-23-15	Washer	2
20	C-256404	Cable Assy. - Shielded Ribbon	1



**MOTOR & LABEL DRIVE
(THERMAL PRINTER)**

**MOTOR & LABEL DRIVE
(THERMAL PRINTER)**

ILLUS. PL-18931-1	PART NO.	NAME OF PART	AMT.
1	SC-17-6	Mach. Screw - #6-32 x 7/16" Phil. Truss Hd	1
2	WL-3-9	Lock Washer - #6 Medium	1
3	B-256114	Spring - Pinch Roll	1
4	SC-18-34	Mach. Screw - #8-32 x 1/2" Phil. Pan Hd	3
5	B-256044	Standoff - Feed Motor	3
6	B-256358	Shaft - Take Up	1
7	SC-55-32	Set Screw - #6-32 x 3/16" Soc. Hdls., Cup Pt	1
8	WL-7-7	Lock Washer - #8 Ext. Shakeproof	2
9	SC-112-94	Mach. Screw - #8-32 x 3/16" Phil. Pan Hd	2
10	D-256100	Bracket - Connector Mounting	1
11	A-252292	Spacer	2
12	C-256981	Filter Board Assy	1
13	SC-18-53	Mach. Screw - #4-40 x 3/16" Pan Hd	2
14	SC-113-10	Mach. Screw - #4-40 x 3/8" Phil. Pan Hd	2
15	NS-9-2	Mach. Nut - #4-40 Hex	2
16	WL-7-39	Lock Washer - #4 Ext. Shakeproof	2
17	*	Connector (Part of Filter Harness Assy. ILA C-256987-1) (Shown for Mounting Purposes Only) .	1
18	NS-9-2	Mach. Nut - #4-40 Hex	2
19	WL-7-39	Lock Washer - #4 Ext. Shakeproof	2
20	*	Connector (Part of Filter Harness Assy. Comm C-256986-1) (Shown for Mounting Purposes Only)	0
21	WL-7-7	Lock Washer - #8 Ext. Shakeproof	2
22	SC-112-94	Mach. Screw - #8-32 x 3/16" Phil. Pan Hd	2
23	SC-18-34	Mach. Screw - #8-32 x 1/2" Phil. Pan Hd	3
24	RR-4-26	Retaining Ring	1
25	SC-113-10	Mach. Screw - #4-40 x 3/8" Phil. Pan Hd	2
26	WL-3-3	Lock Washer - #4 Medium	2
27	SC-18-53	Mach. Screw - #4-40 x 3/16" Pan Hd	2
28	B-256359	Pulley - Paper Take Up	1
29	C-256432	Plate - Motor Mounting	1
30	C-256167	Motor Assy	1
31	WL-7-7	Lock Washer - #8 Ext. Shakeproof	2
32	NS-9-12	Mach. Nut - #8-32 Hex	2
33	B-256353	Drive Pulley - Paper Take Up	1
34	SC-116-81	Set Screw - #8-32 x 3/16" Soc. Hdls., Cup Pt	2
35	B-256530	Spring - Take Up Drive	1
36	B-256042	Stud - Spring "Left"	1
37	B-256113	Spring - Pressure Roll	1



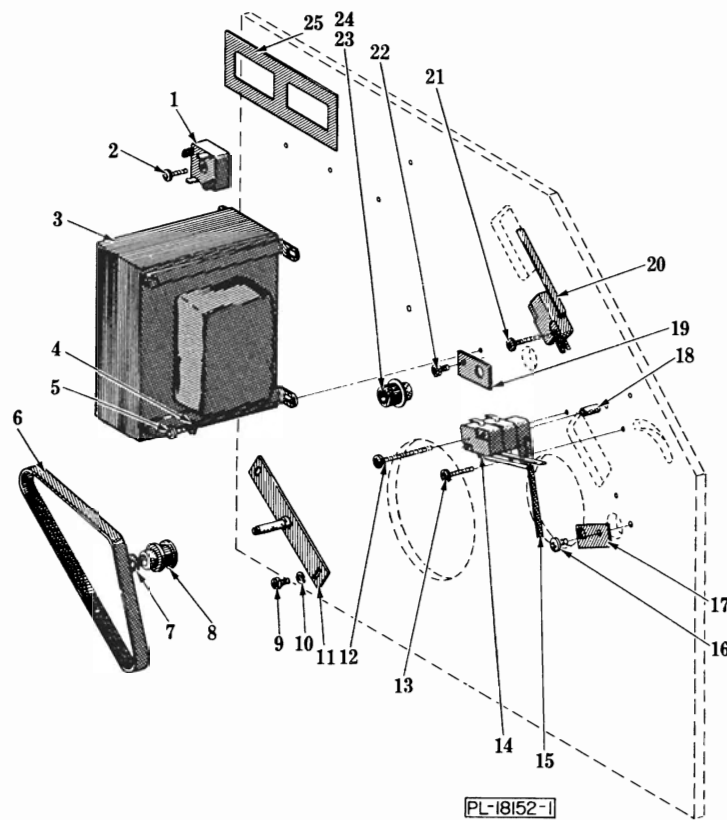
PL-18928-1

**LABEL GUIDE & PINCH ROLL UNIT
(THERMAL PRINTER)**

ILLUS.	PART NO.	NAME OF PART	AMT.
1	RR-8-19	Retaining Ring	1
2	B-256573	Roller - Tension	1
3	RR-8-19	Retaining Ring	1
4	B-256196	Pinch Roll Line Assy	1
5	B-256036	Hub - Pinch Roll Arm	1

**LABEL GUIDE & PINCH ROLL UNIT
(THERMAL PRINTER)**

ILLUS. PL-18928-1	PART NO.	NAME OF PART	AMT.
6	RR-8-19	Retaining Ring	1
7	B-256573	Roller - Tension	1
8	RR-8-19	Retaining Ring	1
9	B-256430	Drive Roll Assy	1
10	NS-9-12	Mach. Nut - #8-32 Hex	1
11	RR-7-13	Retaining Ring	1
12	A-252379	Screw - Shoulder	1
13	B-256901	Guide - Label	1
14	C-256902	Plate - Indexing	1
15	WS-23-15	Washer	2
16	SC-18-28	Mach. Screw - #6-32 x 1/4" Phil. Pan Hd	2
17	B-256202	Link - Release	1
18	RR-7-13	Retaining Ring	1
19	B-256564	Arm - Release	1
20	PS-5-6	Pin - Spirol	1
21	NS-9-30	Mach. Nut - #10-32 Hex	1
22	B-256954	Plunger - Ball	1
23	C-256372	Strap - Sensor Mounting	1
24	SC-81-77	Mach. Screw - #2-56 x 3/8" Rd. Hd	2
25	B-256027	Peel Stud Assy	1
26	B-256025	Pressure Arm Assy. (L.H.)	1
27	B-256339	Bracket - Cover Mounting	1
28	B-256376	Spacer	2
29	B-256375	Shield - Light	1
30	B-256376	Spacer	2
31	C-256372	Strap - Sensor Mounting	1
32	NS-46-7	Mach. Nut - #2-56 Hex	2
33	WS-29-23	Washer	2
34	SC-18-34	Mach. Screw - #8-32 x 1/2" Phil. Pan Hd	2
35	B-256377	Bracket - Sensor	1
36	SC-111-4	Mach. Screw - #2-56 x 5/8" Rd. Hd	2
37	WS-19-2	Washer	1
38	WL-7-7	Lock Washer - #8 Ext. Shakeproof	1
39	SC-18-31	Mach. Screw - #8-32 x 3/8" Phil. Pan Hd	1
40	B-256033	Standoff	1
41	B-256840	Roll - Pressure	1
42	B-256319	Release Line Assy. (Incls. items #19 & 20)	1
43	B-256026	Pressure Arm Assy. (R.H.)	1
44	B-256022	Stud - Peel Support	1
45	B-256323	Head Assy. (Thermal Printer)	1
46	B-256947	Clamp - Bar	1
47	SC-18-31	Mach. Screw - #8-32 x 3/8" Phil. Pan Hd	2
48	WL-7-7	Lock Washer - #8 Ext. Shakeproof	2
49	WL-3-9	Lock Washer - #6 Medium	1
50	NS-9-12	Mach. Nut - #8-32 Hex	1
51	SC-18-77	Mach. Screw - #6-32 x 5/16" Phil. Pan Hd	1
52	B-256335	Frame Assy. (Auxiliary)	1
53	B-256113	Spring - Pressure Roll	1
54	B-256405	Stud - Spring R.H	1
55	WL-3-9	Lock Washer - #6 Medium	2
56	SC-18-16	Mach. Screw - #10-32 x 1" Pan Hd	1
57	WL-8-13	Lock Washer - #10 Int. Shakeproof	1
58	NS-9-30	Mach. Nut - #10-32 Hex	1
59	SC-18-77	Mach. Screw - #6-32 x 5/16" Phil. Pan Hd	2
60	SC-18-34	Mach. Screw - #8-32 x 1/2" Phil. Pan Hd	1
61	B-256327	Thumb Screw	2
62	RR-11-11	Retaining Ring	1
63	C-256326	Paper Guide Assy. (Bottom)	1
64	C-256343	Hold Down - Paper	1
65	NS-9-7	Mach. Nut - #6-32 Hex	2
66	C-256514	Paper Guide Assy. (Top)	1
67	SC-18-28	Mach. Screw - #6-32 x 1/4" Phil. Pan Hd	2
68	PS-5-6	Pin - Spirol	1
69	SC-18-34	Mach. Screw - #8-32 x 1/2" Phil. Pan Hd	1
70	WL-7-7	Lock Washer - #8 Ext. Shakeproof	1
71	WS-19-2	Washer	1
72	PS-2-7	Pin - Spirol	1
73	C-256520	Guide - Paper	1
74	B-256606	Pin - Paper Guide	1
75	RR-11-11	Retaining Ring	1



**TRANSFORMER AND INTERLOCK SWITCH
(INK PRINTER)**

ILLUS. PL-18152-1	PART NO.	NAME OF PART	AMT.
1	B-254139	Rectifier - Bridge	3
2	SC-18-70	Mach. Screw - #8-32 x 7/16" Phil. Pan Hd	3
3	C-182810	Power Transformer Assy	1
4	WL-7-12	Lock Washer - #10 Ext. Shakeproof	4
5	SC-18-25	Mach. Screw - #10-32 x 3/8" Phil. Pan Hd	4
6	B-253979	Belt - Timing	1
7	RR-4-26	Retaining Ring	1
8	B-254147	Pulley - Timing Belt	1
9	SC-40-66	Cap Screw - #8-32 x 3/8" Soc. Hd	2
10	WL-3-12	Lock Washer - #8 Medium	2
11	B-182756	Belt Tension Plate Assy	1
12	SC-111-87	Mach. Screw - #4-40 x 1-3/8" Phil. Pan Hd	2
13	SC-18-43	Mach. Screw - #4-40 x 5/8" Phil. Pan Hd	1
14	B-254136	Switch - Interlock	2
15	B-253882	Switch - Interlock	1
16	SC-18-34	Mach. Screw - #8-32 x 1/2" Phil. Pan Hd	1
17	B-253802	Retainer - Spring	1
18	B-254137	Spacer	1
19	B-253802	Retainer - Spring	1
20	B-253882	Switch - Interlock	2
21	SC-112-90	Mach. Screw - #4-40 x 1" Pan Hd	2
22	SC-18-30	Mach. Screw - #8-32 x 1/4" Phil. Pan Hd	1
23	B-253901	Pulley - Timing Belt	1
24	SC-47-84	Set Screw - #6-32 x 1/8"	4
25	B-255113	Plate - Breaker Positioning	1