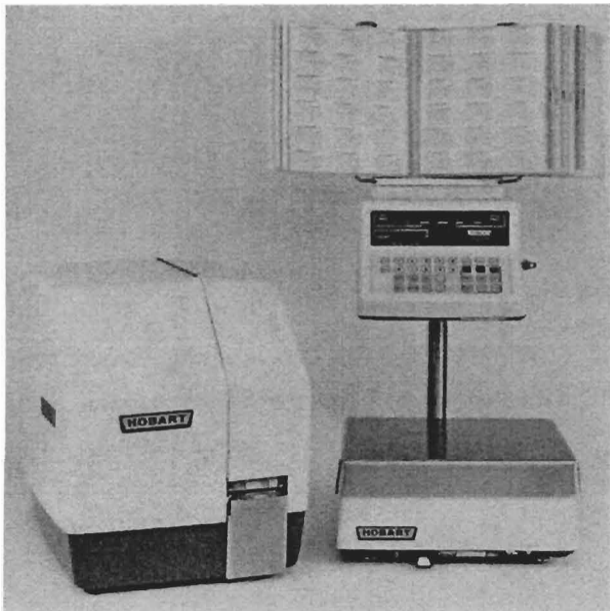




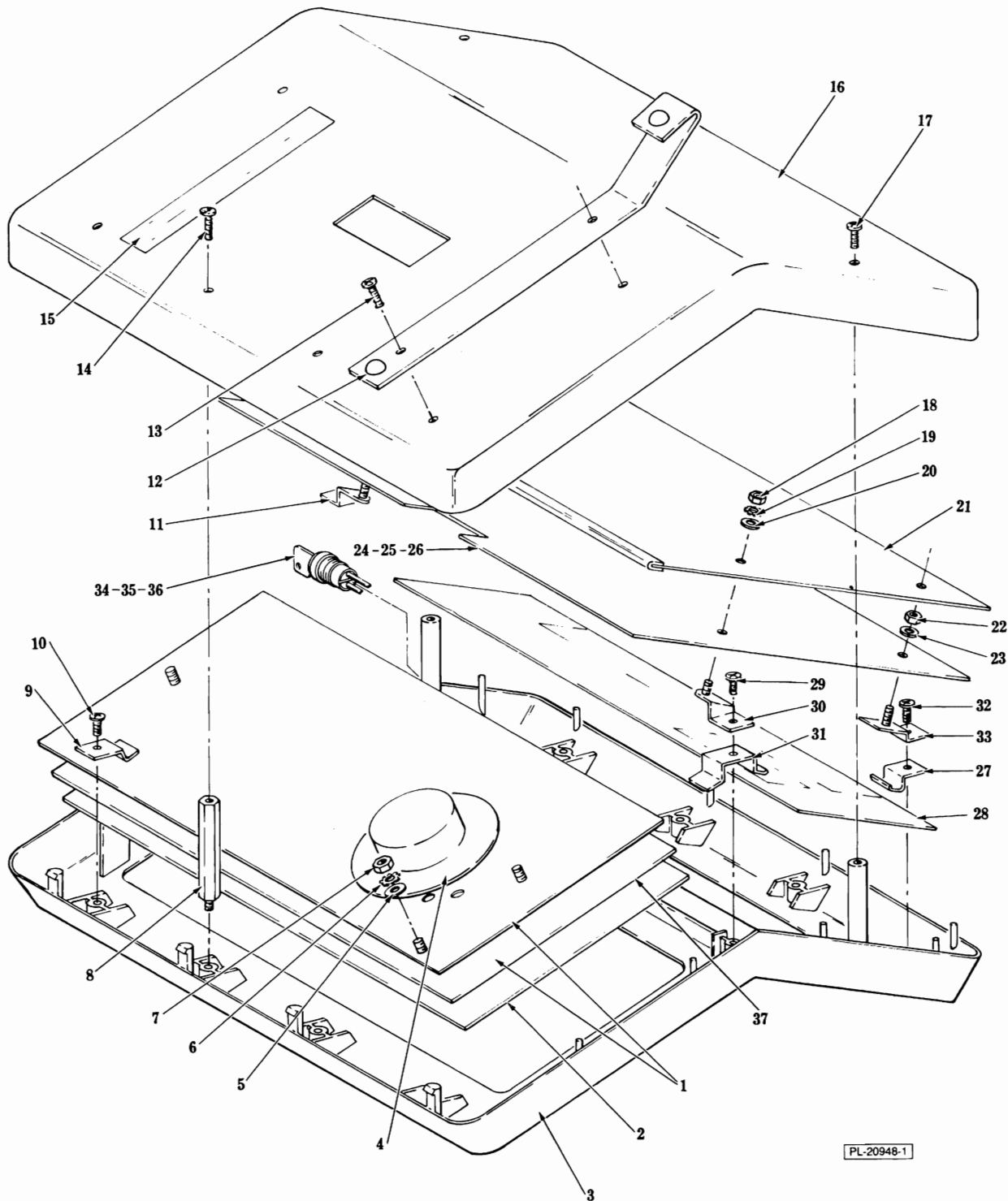
# CATALOG OF REPLACEMENT PARTS



## ***MODEL 5000 SYSTEM***

***5000TE PRINTER  
ML28712***

***5000DE CONTROL PANEL  
ML28779***



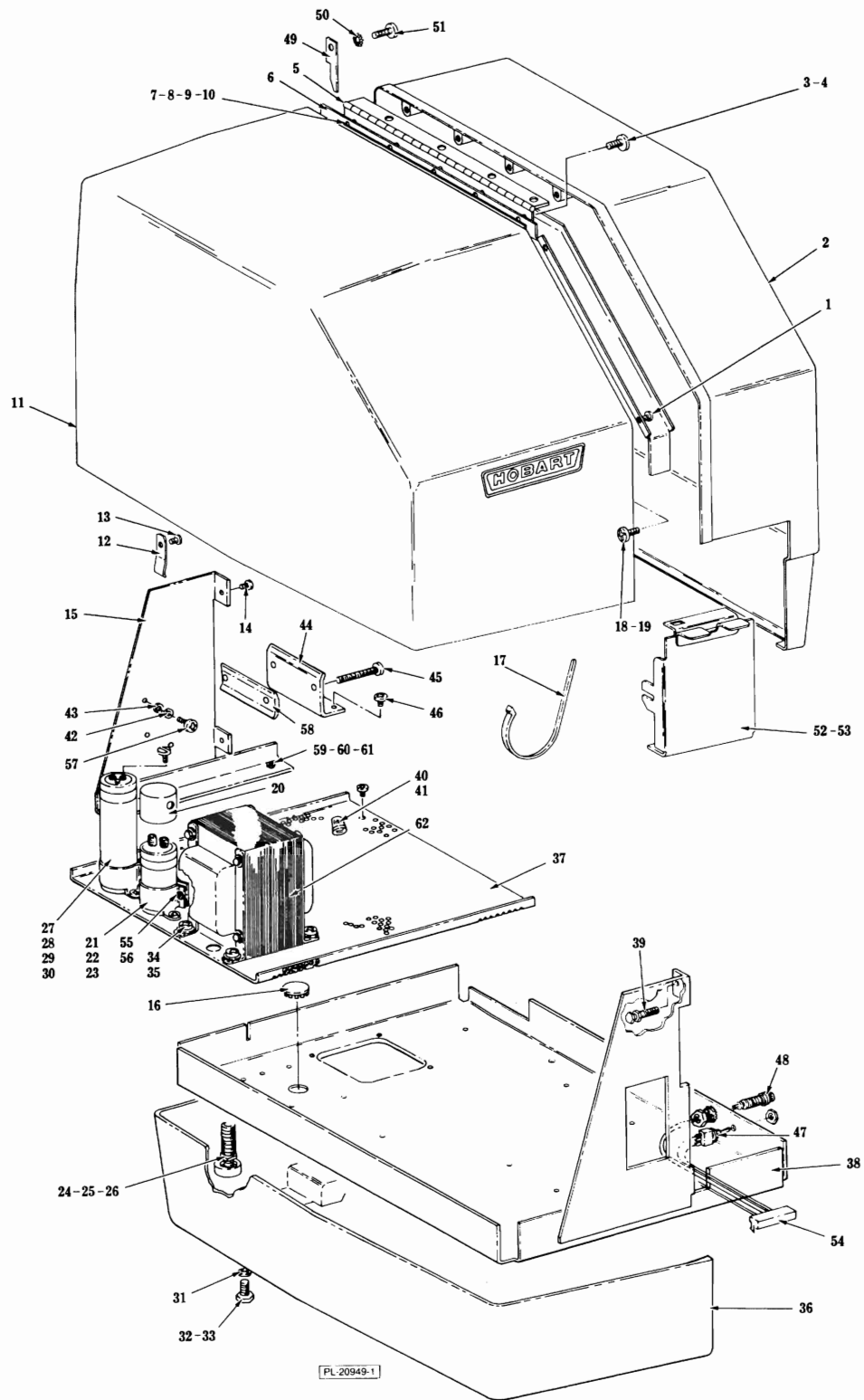
CONTROL PANEL UNIT

## CONTROL PANEL UNIT

ILLUS. PL-20948-1	PART NO.	NAME OF PART	AMT.
1	258281	Keyboard Switch & Retainer Assy (Incls. item 37) .....	1
2	258648	Keyboard - Silkscreened .....	1
3	183484	Cover - Control Panel .....	1
4	182823	Speaker Assy .....	1
5	WS-23-47	Washer .....	3
6	WL-14-3	Lockwasher 6 External Shakeproof .....	3
7	NS-9-7	Mach. Nut 6-32 Hex .....	3
8	257473	Stud - Mounting .....	2
9	254644	Clip - Keyboard .....	4
10	SC-18-68	Mach. Screw 4-40 X 1/4 Phil Pan Hd. ....	2
11	183209	Bracket Assy (R.H.) .....	1
12	259704	Counter Top Leg Assy .....	2
13	SD-24-38	Self-Tapping Screw 10-24 X 3/8 Phil Pan Hd., Type TT .....	4
14	SC-112-90	Mach. Screw 4-40 x 1 Pan Hd. ....	2
15	255111	Label - Warning .....	1
16	256739	Base - Control Panel .....	1
17	SC-113-10	Mach. Screw 4-40 X 3/8 Phil Pan Hd. ....	2
18	NS-9-2	Mach. Nut 4-40 Hex .....	2
19	WL-7-39	Lockwasher 4 External Shakeproof .....	2
20	WS-23-40	Washer .....	2
21	183229	Shield Assy .....	1
22	NS-9-2	Mach. Nut 4-40 Hex .....	4
23	WL-3-3	Lockwasher 4 Medium .....	4
24	259396-3	Display Board Assy (W/PC Board Mounted Switch) (ML-28714) .....	1
25	183433-3	Display Board Assy (ML-28779) .....	1
26	259395	Microprocessor - Programmed .....	1
27	254646	Clip - Display Screen .....	2
28	257152	Filter - Display .....	1
29	SC-18-68	Mach. Screw 4-40 X 1/4 Phil Pan Hd. ....	3
30	183210	Bracket Assy (L.H.) .....	1
31	254645	Clip - Center Anchor .....	3
32	SC-18-68	Mach. Screw 4-40 X 1/4 Phil Pan Hd. ....	2
33	183208	Bracket Assy .....	2
34	182825	Lock Switch Assy (ML-28779) .....	1
35	PB-4-78	Plug Button (Use W/Item 3) .....	1
36	254655	Label - Key Switch .....	1
37	256780	Keyboard Switch .....	1
	257117	Keylock Switch Assy .....	1
	257540-1	Key - Service .....	1
	257540-15	Key - Supervisor .....	1
	255962	Kit - Plug .....	1

## CONNECTING CABLES

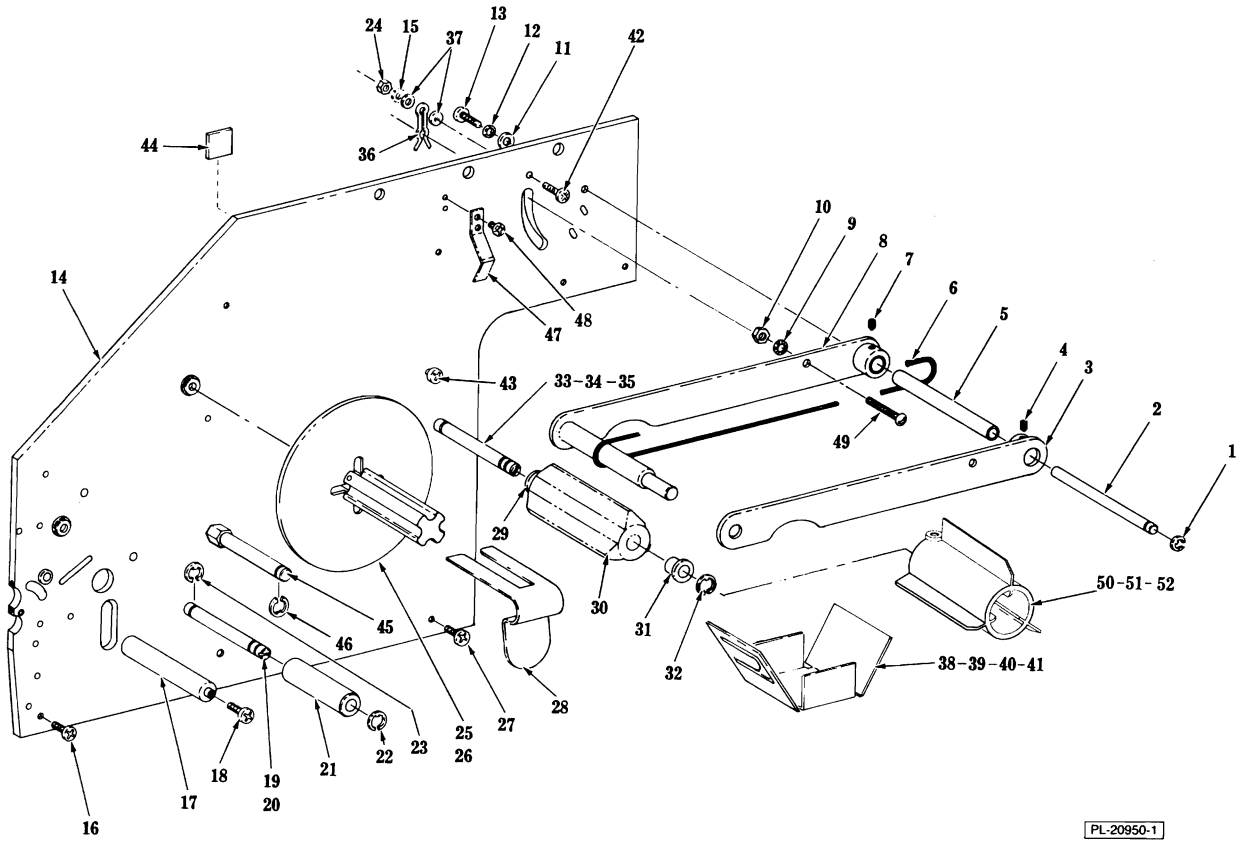
257229-8	Interconnect Cable Assy (8 Ft. Long) .....	1
257229-17	Interconnect Cable Assy (17 Ft. Long) .....	1
257229-25	Interconnect Cable Assy (25 Ft. Long) .....	1
183030	Extension Cable Assy (2 Ft. Long) .....	1
183031	Extension Cable Assy (4 Ft. Long) .....	1



**BASE AND COVER ASSEMBLY  
(THERMAL PRINTER)**

**BASE AND COVER ASSEMBLY  
(THERMAL PRINTER)**

ILLUS. PL-20949-1	PART NO.	NAME OF PART	AMT.
1	SC-110-87	Mach. Screw 10-32 X 1/4 Phil Pan Hd. ....	2
2	255473-2	Cover - Front Printer .....	1
3	SC-66-20	Mach. Screw 10-32 X 1/2 Phil Truss Hd. (Rear Cover) .....	5
4	SC-66-22	Mach. Screw 10-32 X 3/8 Phil Truss Hd. (Front Cover) .....	4
5	255634	Hinge - Cover .....	1
6	253868	Deflector - Water .....	1
7	SC-113-8	Mach. Screw 10-32 X 1/2 Phil Pan Hd. ....	3
8	WL-8-13	Lockwasher 10 Internal Shakeproof .....	3
9	WS-19-10	Washer .....	3
10	255633	Bracket - Cover Mounting .....	1
11	255201	Cover - Rear Printer .....	1
12	255045	Clip - Retaining .....	2
13	SC-110-87	Mach. Screw 10-32 X 1/4 Phil Pan Hd. ....	2
14	SC-18-34	Mach. Screw 8-32 X 1/2 Phil Pan Hd. ....	1
15	183232	Rear Frame Assy .....	1
16	PB-4-36	Plug Button .....	1
17	251199	Tie - Cable (4" Long) .....	AR
18	SC-113-8	Mach. Screw 10-32 X 1/2 Phil Pan Hd. ....	1
19	NS-9-30	Mach. Nut 10-32 Hex .....	1
20	256532	Cap - Capacitor .....	2
21	255505	Capacitor (12,000 MICRO FARAD) .....	1
22	256434	Bracket - Capacitor Mounting .....	1
23	SD-15-37	Self-Tapping Screw 6-32 X 1/4 Phil Pan Hd., Type TT .....	2
24	NS-17-8	Jam Nut 5/16-18 Hex Fin .....	4
25	253907	Glide .....	4
26	258310	Leveler .....	4
27	257652	Capacitor (20,000 MICRO FARAD) .....	1
28	256434	Bracket - Capacitor Mounting .....	1
29	SD-15-37	Self-Tapping Screw 6-32 X 1/4 Phil Pan Hd., Type TT .....	2
30	NS-9-7	Mach. Nut 6-32 Hex .....	1
31	WS-19-10	Washer .....	5
32	SD-32-4	Self-Tapping Screw 10-32 X 1/2 Hex Washer Hd., Type TT .....	5
33	WS-26-5	Washer .....	2
34	SD-15-20	Self-Tapping Screw 10-32 X 3/8 Phil Pan Hd., Type TT .....	4
35	WL-7-12	Lockwasher 10 External Shakeproof .....	4
36	255202	Skirt - Printer Cover .....	1
37	256151	Cover - Printer Base .....	1
38	183233	Base Assy .....	1
39	256574	Stud - Spring .....	1
40	FE-6-18	Wire Nut (14-22 Ga.) .....	AR
41	FE-6-17	Wire Nut (16-22 Ga.) .....	4
42	WL-3-9	Lockwasher 6 Medium .....	3
43	WS-23-15	Washer .....	3
44	256396	Bracket - Cable Clamp .....	1
45	SC-81-12	Mach. Screw 8-32 X 1 1/2 Rd. Hd. ....	2
46	SC-18-30	Mach. Screw 8-32 X 1/4 Phil Pan Hd. ....	2
47	256675	Switch - Toggle .....	1
48	256373	Light - Indicator (Incls. Nut & Washer) .....	1
49	256215	Cover Guide .....	1
50	WL-8-7	Lockwasher 8 Internal Shakeproof .....	1
51	SC-18-31	Mach. Screw 8-32 X 3/8 Phil Pan Hd. ....	1
52	183132	Ejector Filler Assy .....	1
53	257792	Gage - Ejector Filler .....	1
54	256677-1	Power On Harness Assy (Incls. items 47 & 48) .....	1
55	SC-112-42	Mach. Screw 6-32 X 1/2 Phil Pan Hd. ....	2
56	NS-9-7	Mach. Nut 6-32 Hex .....	2
57	SC-18-29	Mach. Screw 6-32 X 3/8 Phil Pan Hd. ....	3
58	256395	Plate - Cable Clamp .....	1
59	SD-15-20	Self-Tapping Screw 10-32 X 3/8 Phil Pan Hd., Type TT .....	2
60	WS-2-51	Washer .....	2
61	WL-7-12	Lockwasher 10 External Shakeproof .....	2
62	183170	Transformer Assy .....	1

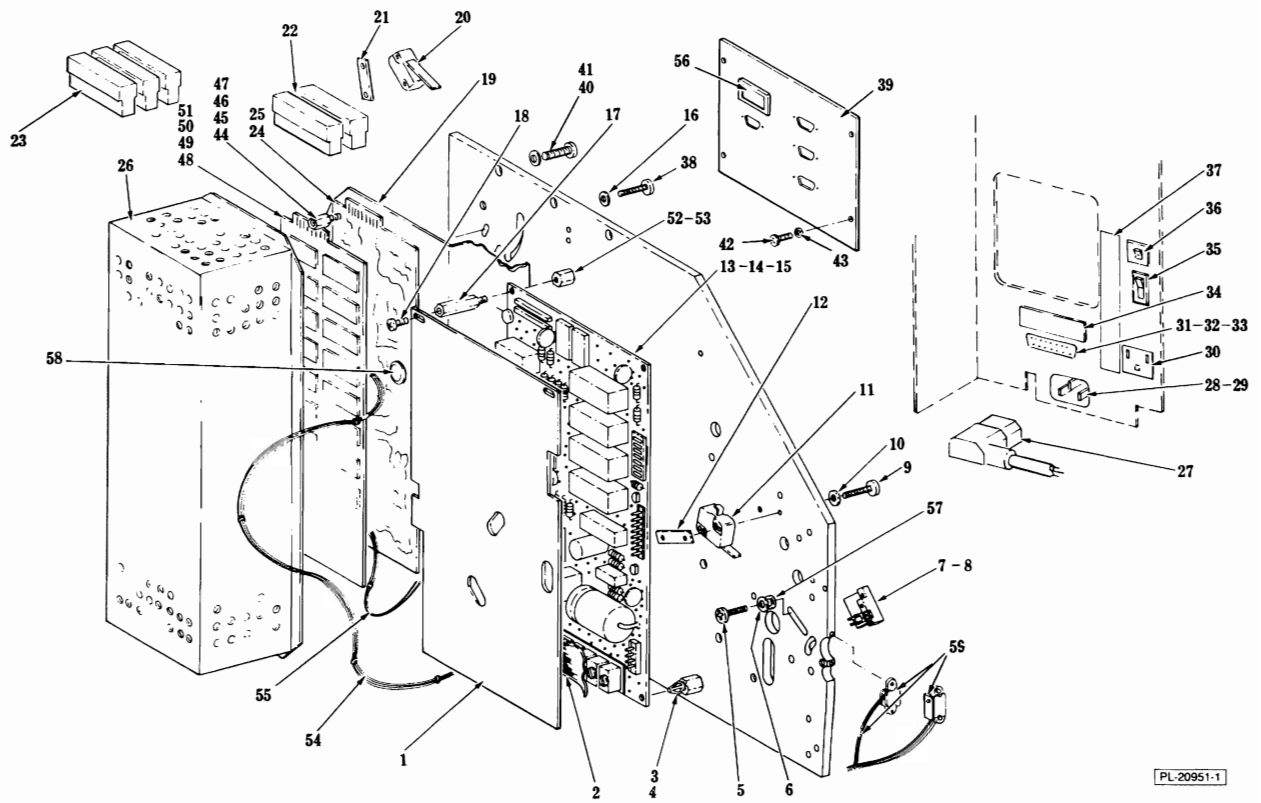


PL-20950-1

**MAIN FRAME AND LABEL RETAINER  
(THERMAL PRINTER)**

**MAIN FRAME AND LABEL RETAINER  
(THERMAL PRINTER)**

ILLUS. PL-20950-1	PART NO.	NAME OF PART	AMT.
1	RR-9-9	Retaining Ring .....	1
2	256330	Stud - Label Retainer .....	1
3	256341	Arm - Label Retainer (R.H.) .....	1
4	SC-116-81	Set Screw 8-32 X 3/16 Soc. Hdls., Cup Pt. ....	1
5	256337	Bearing - Label Retainer .....	1
6	259349	Belt - Paper Tension .....	1
7	SC-116-81	Set Screw 8-32 X 3/16 Soc. Hdls., Cup Pt. ....	1
8	256342	Arm - Label Retainer (L.H.) .....	1
9	WL-8-13	Lockwasher 10 Internal Shakeproof .....	1
10	NS-9-30	Mach. Nut 10-32 Hex .....	1
11	WS-2-51	Washer .....	1
12	WL-7-12	Lockwasher 10 External Shakeproof .....	1
13	SC-18-47	Mach. Screw 10-32 X 3/4 Pan Hd. ....	1
14	256374	Frame Assy .....	1
15	WL-7-7	Lockwasher 8 External Shakeproof .....	1
16	SC-18-34	Mach. Screw 8-32 X 1/2 Phil Pan Hd. ....	1
17	256033	Standoff - Aux. Frame .....	1
18	SC-18-31	Mach. Screw 8-32 X 3/8 Phil Pan Hd. ....	2
19	256110	Stud - Arbor .....	1
20	NS-17-3	Jam Nut 1/4-20 Hex .....	1
21	256420	Roller - Idler .....	1
22	RR-4-19	Retaining Ring .....	1
23	RR-4-19	Retaining Ring .....	1
24	NS-9-12	Mach. Nut 8-32 Hex .....	1
25	256576	Take-Up Hub Assy .....	1
26	SC-55-32	Set Screw 6-32 X 3/16 Soc. Hdls., Cup Pt. ....	1
27	SC-18-34	Mach. Screw 8-32 X 1/2 Phil Pan Hd. ....	1
28	256580	Key - Take Up .....	1
29	256131	Bearing - Flanged .....	1
30	256109	Arbor Assy (Incls. items 29 & 31) .....	1
31	256131	Bearing - Flanged .....	1
32	RR-4-19	Retaining Ring .....	1
33	256110	Stud - Arbor .....	1
34	NS-17-3	Jam Nut 1/4-20 Hex .....	1
35	WL-8-17	Lockwasher 1/4 Internal Shakeproof .....	1
36	257399	Clip - Retaining Arm .....	1
37	WS-2-51	Washer .....	2
38	257241	Holder - Listing Paper .....	1
39	SC-18-31	Mach. Screw 8-32 X 3/8 Phil Pan Hd. ....	2
40	WL-7-7	Lockwasher 8 External Shakeproof .....	2
41	NS-9-12	Mach. Nut 8-32 Hex .....	2
42	SC-18-23	Mach. Screw 8-32 X 5/8 Phil Pan Hd. ....	1
43	SC-18-34	Mach. Screw 8-32 X 1/2 Phil Pan Hd. ....	1
44	255503	Mount - Cable Tie .....	1
45	256048	Stud - Tally Roll .....	1
46	RR-11-32	Ring - Retaining .....	1
47	256347	Clip - Retaining Arm .....	1
48	SC-18-28	Mach. Screw 6-32 X 1/4 Phil Pan Hd. ....	2
49	SC-81-18	Mach. Screw 10-32 X 1 1/8 Rd. Hd. ....	1
50	259988	Adaptor - 3" Label Core .....	1
51	SC-18-30	Mach. Screw 8-32 X 1/4 Phil Pan Hd. ....	1
52	WL-7-7	Lockwasher 8 External Shakeproof .....	1
	258967	Paper - Listing .....	1

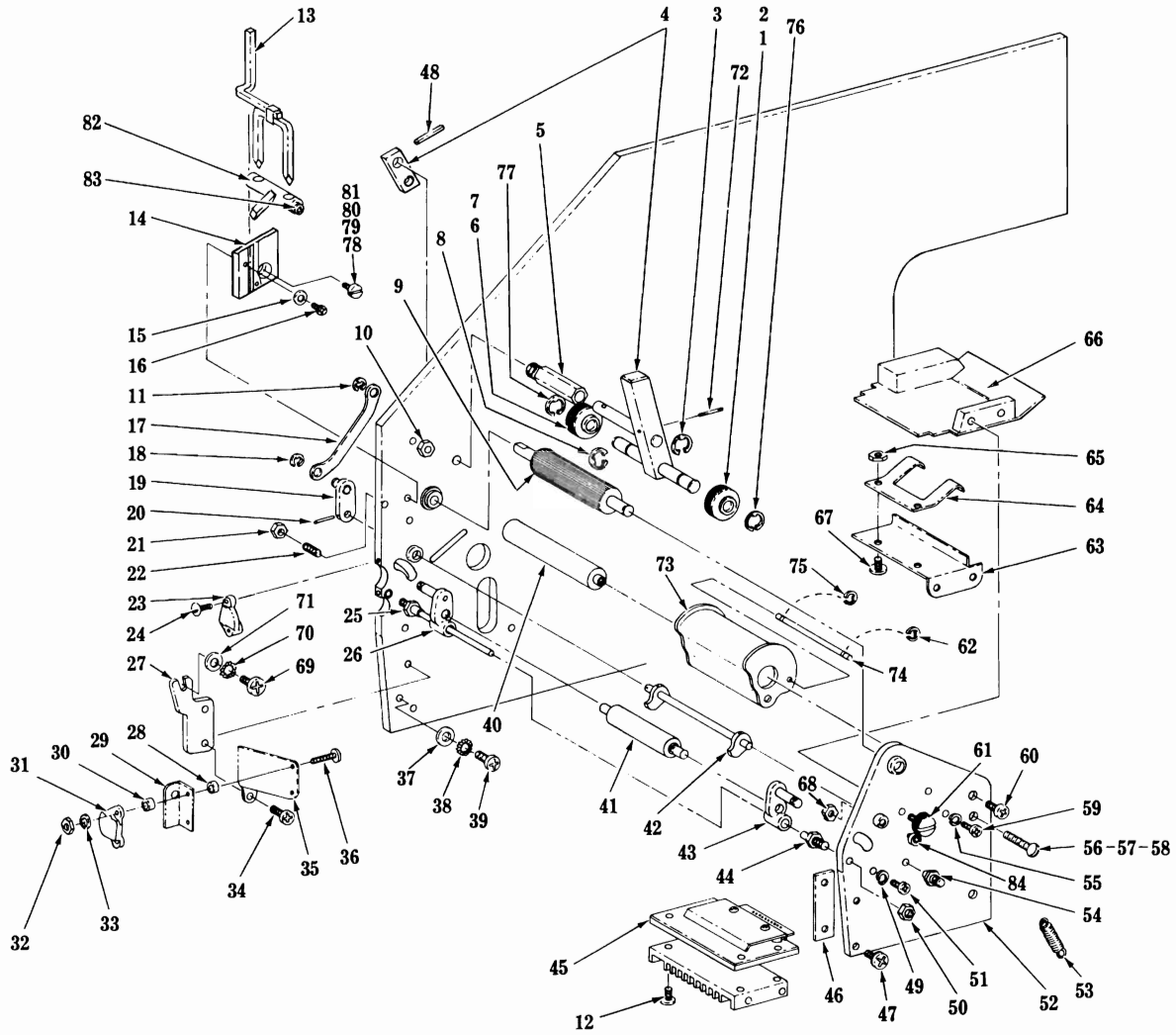


**CIRCUIT BOARD AND SWITCHES**

## CIRCUIT BOARD AND SWITCHES

ILLUS. PL-20951-1	PART NO.	NAME OF PART	AMT.
1	256639	Shield - Circuit Board .....	1
2	256404	Cable Assy Shielded Ribbon .....	1
3	256433	Support - Logic Board Assy .....	1
4	SD-32-22	Self-Tapping Screw 6-32 X 1/2 Phil Pan Hd., Type T .....	1
5	SC-112-42	Mach. Screw 6-32 X 1/2 Phil Pan Hd. ....	2
6	WL-3-9	Lockwasher 6 Medium .....	2
7	256725	Label Sensor Assy (Ingredient System) .....	1
8	256413	Label Sensor & Harness Assy .....	1
9	SC-113-19	Mach. Screw 4-40 X 7/8 Phil Pan Hd. ....	2
10	WS-29-24	Washer .....	2
11	256512	Switch - Miniature .....	1
12	253883	Plate - Screw .....	1
13	257091-3	Printer Logic Board Assy .....	1
14	258640	PROM - Programmed (U9) .....	1
15	258641	PROM - Programmed (U13) .....	1
16	WS-29-24	Washer .....	2
17	255467	Standoff - Circuit Board Shield .....	2
18	SC-18-29	Mach. Screw 6-32 X 3/8 Phil Pan Hd. ....	2
19	256997	Bracket - Plug Mounting .....	1
20	256512	Switch - Miniature .....	1
21	253883	Plate - Screw .....	1
22	257078	Harness - Memory (1) .....	1
23	257079	Harness - Memory (2) .....	1
24	183356-2	Controller Board Assy (1 Operator Control Panel & Highlight Printer) (Incls. item 58) .....	1
25	183356-3	Controller Board Assy (2 Operator Control Panels & Highlight Printer) (Incls. item 58) .....	1
26	257249	Shield - EMI .....	1
27	257200	Cord - Power Supply (Straight Plug) .....	1
28	257197	Filter - Line .....	1
29	SC-18-28	Mach. Screw 6-32 X 1/4 Phil Pan Hd. ....	2
30	255490	Outlet - Conv. Assy .....	1
31	257198-1	Cassette - Harness .....	1
32	SC-18-68	Mach. Screw 4-40 X 1/4 Phil Pan Hd. ....	2
33	NS-9-2	Mach. Nut 4-40 Hex .....	2
34	257387	Cover - Connector Opening (Incls. Fastener) .....	1
35	252468	Switch - Rocker (Power) .....	1
36	256154	Circuit Breaker .....	1
37	257371	Label - CB, Switch, Access .....	1
38	SC-113-19	Mach. Screw 4-40 X 7/8 Phil Pan Hd. ....	2
39	259620	Plate - Plug Mounting .....	1
40	WS-19-16	Washer .....	2
41	SC-18-30	Mach. Screw 8-32 X 1/4 Phil Pan Hd. ....	2
42	SC-18-30	Mach. Screw 8-32 X 1/4 Phil Pan Hd. ....	1
43	WS-19-16	Washer .....	1
44	258301-1	Standoff (Control Board/Memory Board) .....	3
45	WS-28-12	Washer .....	3
46	SC-18-68	Mach. Screw 4-40 X 1/4 Phil Pan Hd. ....	3
47	NS-9-2	Mach. Nut 4-40 Hex .....	2
48	258512-4	Memory Board Assy .....	1
49	256627	RAM (8K) (U9, U10, U12, U13, U15, U16) .....	6
50	259530	PROM - Programmed (U4) .....	1
51	259531	PROM - Programmed (U5) .....	1
52	256344	Standoff - Logic Board .....	2
53	257083	Standoff .....	1
54	257199-1	Harness Assy (Controller Board) .....	1
55	257217	Harness Assy (Printer Logic Board) .....	1
56	257537	Cover .....	1
57	WS-23-15	Washer .....	2
58	257130	Battery .....	1
59	256416-1	Label Taken Sensor & Harness Assy .....	1
	FE-9-27	Fuse - 2 Amp (Normal Blow) (Included with item 13) .....	1
	FE-22-23	Fuse - 3 Amp (Normal Blow) (Included with item 13) .....	1
	FE-22-30	Fuse - 4 Amp (Slow Blow) (Included with item 13) .....	1
	183608-2	Board Assy - Voltage Control .....	1

5000TE REPLACEMENT PARTS

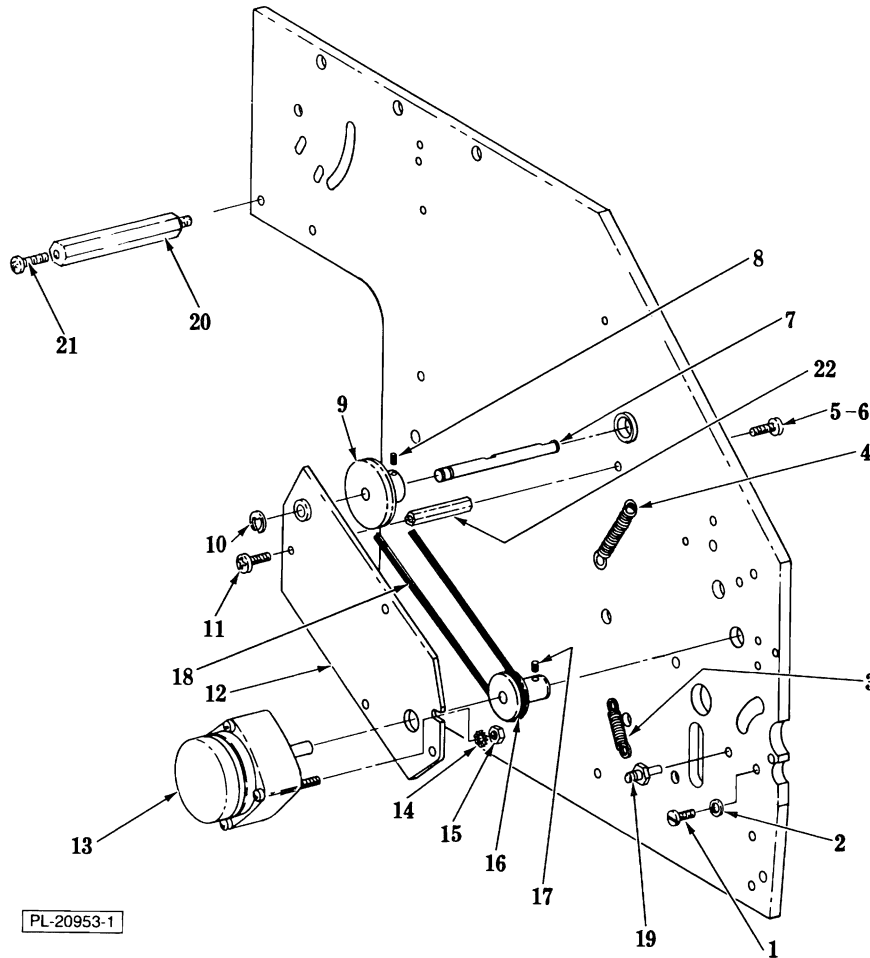


**LABEL GUIDE & PINCH ROLL UNIT  
(THERMAL PRINTER)**

ILLUS. PL-20952-1	PART NO.	NAME OF PART	AMT.
1	256792	Tension Roller Assy .....	1
2	WS-22-6	Washer .....	2
3	RR-8-19	Retaining Ring .....	1
4	256196	Pinch Roll Line Assy (Incls. items 48 & 72) .....	1
5	256036	Hub - Pinch Roll Arm .....	1
6	256792	Tension Roller Assy .....	1
7	WS-22-6	Washer .....	2
8	RR-8-19	Retaining Ring .....	1
9	257227	Drive Roll Assy .....	1
10	NS-9-12	Mach. Nut 8-32 Hex .....	1
11	RR-7-13	Retaining Ring .....	1
12	SC-18-68	Mach. Screw 4-40 X 1/4 Phil Pan Hd. ....	4
13	183199	Guide - Label .....	1
14	256902	Plate - Indexing .....	1
15	WS-23-15	Washer .....	2
16	SC-18-29	Mach. Screw 6-32 X 3/8 Phil Pan Hd. ....	2
17	256202	Link - Release .....	1
18	RR-7-13	Retaining Ring .....	1
19	—	Arm - Release (Part of 42, 256319) (Shown for Mounting Purposes Only) .....	1
20	PS-5-6	Pin - Spirol .....	3

**LABEL GUIDE & PINCH ROLL UNIT (Cont.)**  
**(THERMAL PRINTER)**

ILLUS. PL-20952-1	PART NO.	NAME OF PART	AMT.
21	NS-9-30	Mach. Nut 10-32 Hex .....	1
22	256954	Plunger - Ball .....	1
23	256372	Strap - Sensor Mounting .....	1
24	SC-113-13	Mach. Screw 2-56 X 1/4 Phil Pan Hd. ....	2
25	256027	Peel Stud Assy .....	1
26	256025	Pressure Arm Assy (L.H.) .....	1
27	256339	Bracket - Cover Mounting .....	1
28	256376	Spacer .....	2
29	256375	Shield - Light .....	1
30	256376	Spacer .....	2
31	256372	Strap - Sensor Mounting .....	1
32	NS-46-7	Mach. Nut 2-56 Hex .....	2
33	WS-29-23	Washer .....	2
34	SC-18-31	Mach. Screw 8-32 X 3/8 Phil Pan Hd. ....	2
35	256377	Bracket - Sensor .....	1
36	SC-111-4	Mach. Screw 2-56 X 5/8 Rd. Hd. ....	2
37	WS-19-10	Washer .....	3
38	WL-7-7	Lockwasher 8 External Shakeproof .....	3
39	SC-18-31	Mach. Screw 8-32 X 3/8 Phil Pan Hd. ....	3
40	256033	Standoff .....	1
41	256840	Roll - Pressure .....	1
42	256319	Release Line Assy (Incls. items 19 & 20) ..	1
43	256026	Pressure Arm Assy (R.H.) .....	1
44	256022	Stud - Peel Support .....	1
45	256323	Head Assy (Thermal Printer) .....	1
46	256947	Clamp - Bar .....	1
47	SC-18-31	Mach. Screw 8-32 X 3/8 Phil Pan Hd. ....	2
48	PS-5-6	Pin - Spirol .....	1
49	WL-3-9	Lockwasher 6 Medium .....	1
50	NS-9-12	Mach. Nut 8-32 Hex .....	1
51	SC-18-77	Mach. Screw 6-32 X 5/16 Phil Pan Hd. ....	1
52	256335	Frame Assy (Auxilliary) .....	1
53	256113	Spring - Pressure Roll .....	1
54	256405	Stud - Spring (R.H.) .....	1
55	WL-3-9	Lockwasher 6 Medium .....	2
56	SC-81-16	Mach. Screw 10-32 X 7/8 Rd. Hd. ....	1
57	WL-8-13	Lockwasher 10 Internal Shakeproof .....	1
58	NS-9-30	Mach. Nut 10-32 Hex .....	1
59	SC-18-77	Mach. Screw 6-32 X 5/16 Phil Pan Hd. ....	2
60	SC-18-31	Mach. Screw 8-32 X 3/8 Phil Pan Hd. ....	1
61	256327	Thumb Screw .....	2
62	RR-11-11	Retaining Ring .....	1
63	256326	Paper Guide Assy (Bottom) .....	1
64	256343	Hold Down - Paper .....	1
65	NS-9-7	Mach. Nut 6-32 Hex .....	2
66	256514	Paper Guide Assy (Top) .....	1
67	SC-18-27	Mach. Screw 6-32 X 3/16 Phil Pan Hd. ....	2
68	NS-9-7	Mach. Nut 6-32 Hex .....	2
69	SC-18-34	Mach. Screw 8-32 X 1/2 Phil Pan Hd. ....	1
70	WL-8-7	Lockwasher 8 Internal Shakeproof .....	1
71	WS-19-10	Washer .....	1
72	PS-2-7	Pin - Spirol .....	1
73	256520	Guide - Paper .....	1
74	256606	Pin - Paper Guide .....	1
75	RR-11-11	Retaining Ring .....	1
76	RR-8-19	Retaining Ring .....	1
77	RR-8-19	Retaining Ring .....	1
78	256694	Screw - Shoulder .....	1
79	257085	Washer - Curved .....	1
80	WL-8-1	Lockwasher 6 Internal Shakeproof .....	1
81	NS-9-7	Mach. Nut 6-32 Hex .....	1
82	259576	Label Guide Assy (Incls. item 83) .....	1
83	SC-55-20	Set Screw 8-32 X 1/4 Soc. Hdls. Cup Pt. ....	2
84	SC-18-77	Mach. Screw 6-32 X 5/16 Phil Pan Hd. ....	3



PL-20953-1

**MOTOR AND LABEL DRIVE  
(THERMAL PRINTER)**

ILLUS. PL-20953-1	PART NO.	NAME OF PART	AMT.
1	SC-71-6	Mach. Screw 6-32 X 7/16 Phil Truss Hd. ....	1
2	WL-3-9	Lockwasher 6 Medium .....	1
3	256113	Spring - Pressure Roll .....	1
4	256114	Spring - Pinch Roll .....	1
5	SC-18-34	Mach. Screw 8-32 X 1/2 Phil Pan Hd. ....	1
6	WL-8-7	Lockwasher 8 Internal Shakeproof .....	4
7	256358	Shaft - Take Up .....	1
8	SC-55-32	Set Screw 6-32 X 3/16 Soc. Hdls., Cup Pt. ....	1
9	256359	Pulley - Paper Take Up .....	1
10	RR-4-26	Retaining Ring .....	1
11	SC-18-31	Mach. Screw 8-32 X 3/8 Phil Pan Hd. ....	3
12	256432	Plate - Motor Mounting .....	1
13	257231	Motor Assy .....	1
14	WL-7-7	Lockwasher 8 External Shakeproof .....	2
15	NS-9-12	Mach. Nut 8-32 Hex .....	2
16	257226	Drive Pulley - Paper Take Up .....	1
17	257224	Screw - Locking .....	2
18	259378	Belt - O-Ring .....	1
19	256042	Stud - Spring "Left" .....	1
20	256995	Standoff .....	1
21	SC-18-30	Mach. Screw 8-32 X 1/4 Phil Pan Hd. ....	1
22	256044	Standoff - Feed Motor .....	3