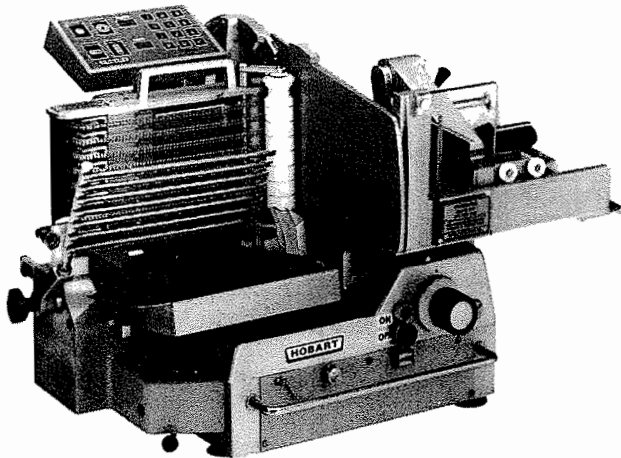




CATALOG OF REPLACEMENT PARTS



STACKING SLICER

MODELS 3100
3100C (WITH CONVEYOR)

ML-104493-3100
ML-104494-3100C

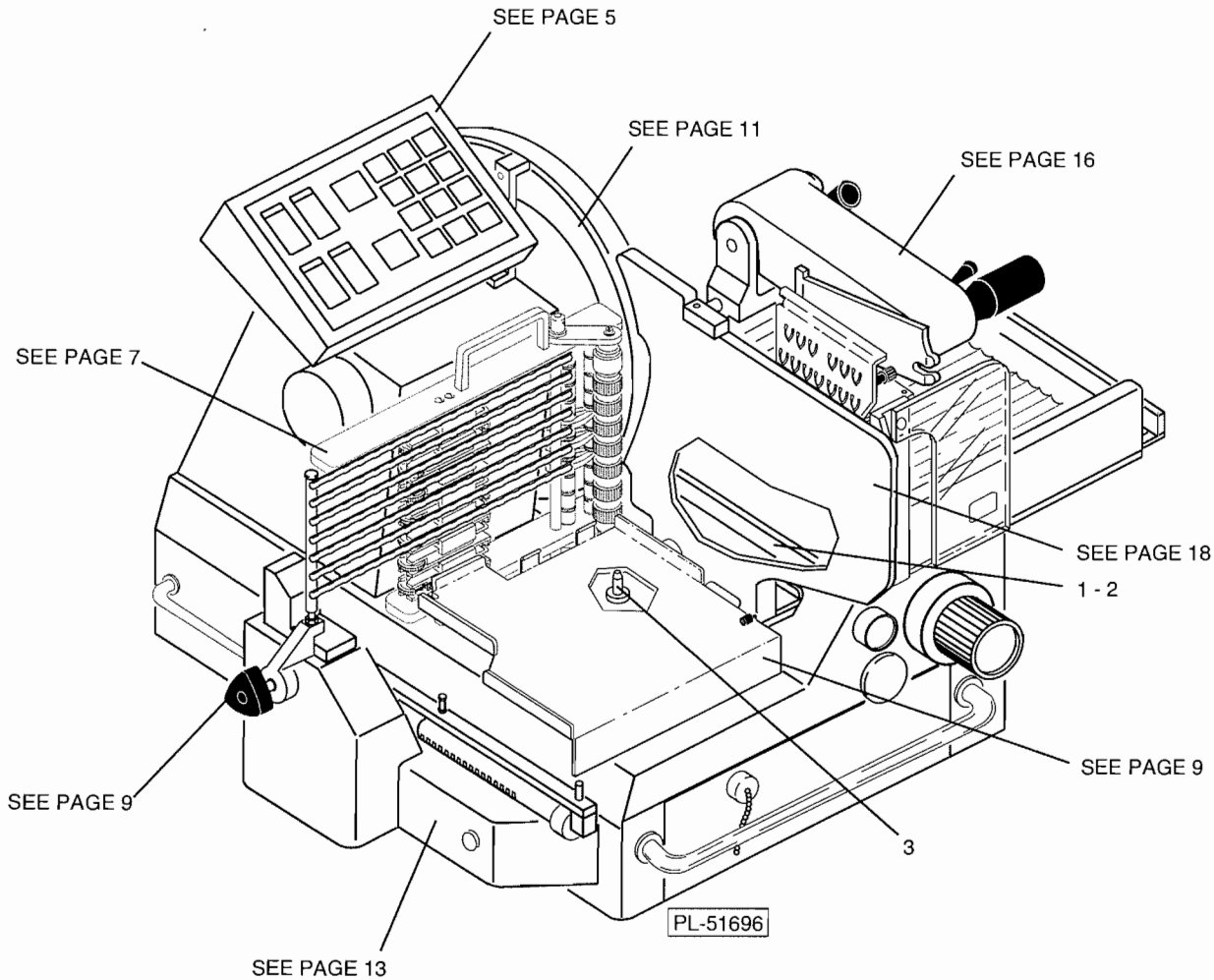
This manual replaces and should be
used instead of Form 18503 (9-93)

ML-104122-3100
ML-104123-3100C

Prior ML's covered in this manual

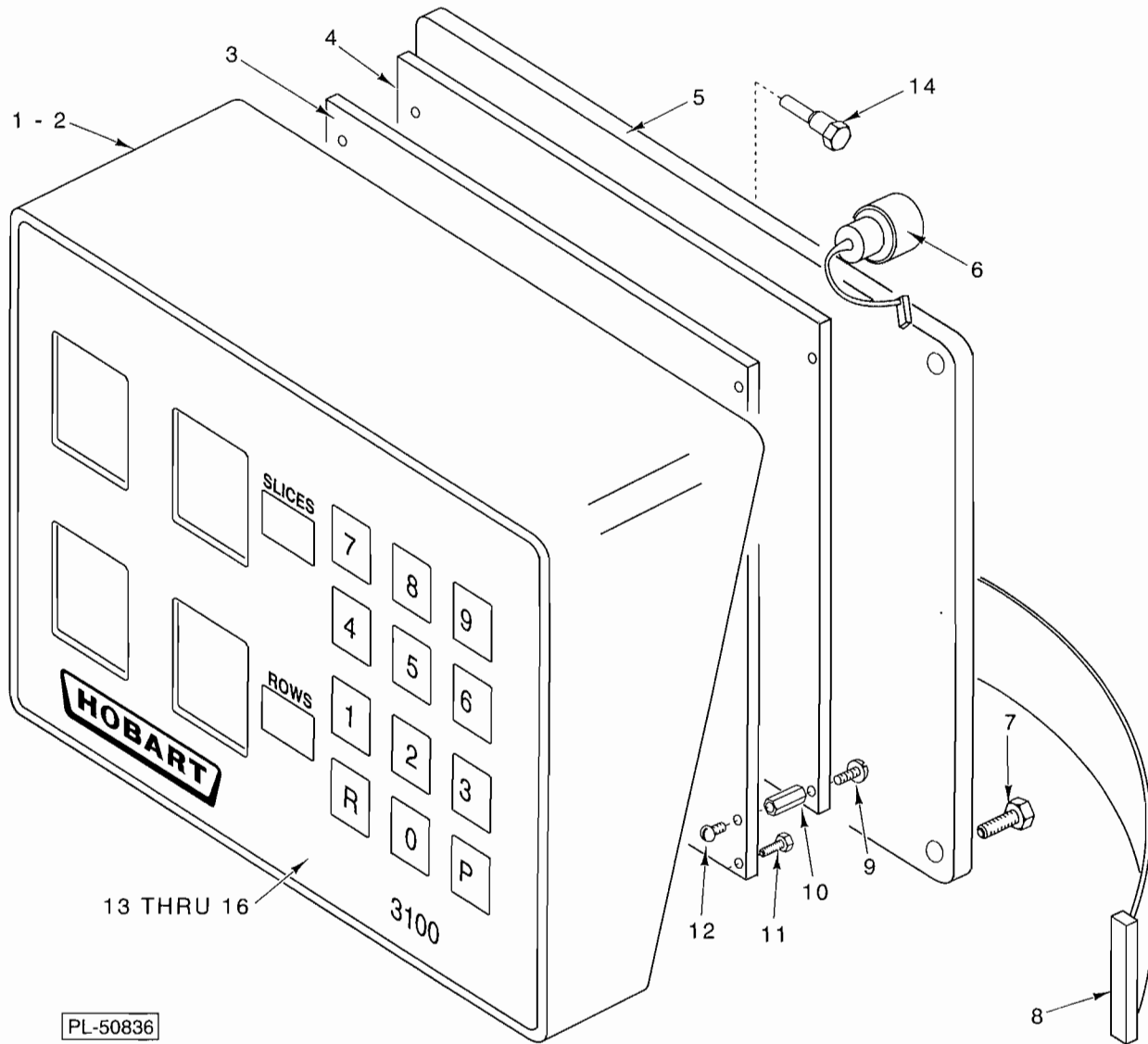
Table of Contents

Description	Page
Stacking Slicer Assembly	3
Keyboard Assembly	4
Transport Assembly	6
Miscellaneous	8
Motor Housing Assembly	10
Depositor Housing Assembly	12
Carriage Assembly	14
Feed Unit	15
Meat Grip Arm Unit	16
Gage Plate Assembly	18
Upper Base Assembly	20
Carriage Support Arm	22
Lower Base Assembly (Upper)	24
Tray Motor Assembly	26
Carriage Motor	27
Lower Base Assembly (Bottom)	28
Conveyor Assembly	30
Sharpener Assembly	32



UPPER BASE LAYOUT

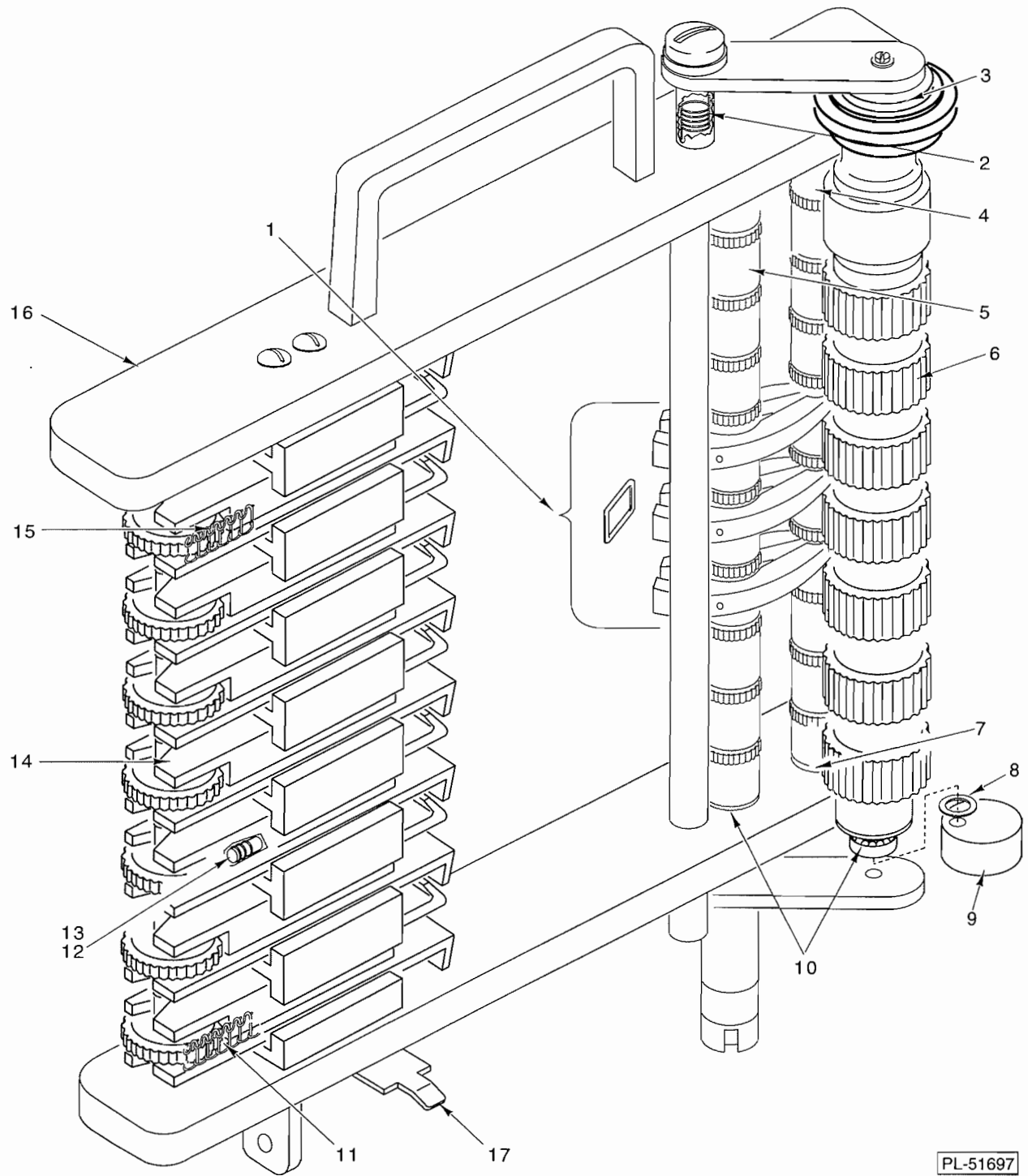
ILLUS. PL-51696	PART NO.	NAME OF PART	AMT.
1	731198	Rail - Long (ML-104122 & ML-104123)	1
2	439735	Rail - Long (ML-104493 & ML-104494)	1
3	731161	Seal - Drive Shaft	1



KEYBOARD

KEYBOARD

ILLUS. PL-50836	PART NO.	NAME OF PART	AMT.
1	731134	Housing - Upper	1
2	731131	Keyboard Assy. (Incls.items 1 & 3 thru 7, 9 thru 12 & 16)	1
3	731132	Board - Keyboard	1
4	731133	Board - Drive	1
5	731135	Plate - Base	1
6	731139	Buzzer Assy. (Includes Connector)	1
7	SC-120-83	Mach. Screw M4 x 6mm Flat Hd.	4
8	731140	Cable (20 Pin)	1
9	SC-122-33	Mach. Screw M2.5 x 0.45 x 5mm Cheese Hd., Slotted	4
10	731214	Spacer Hex	4
11	SC-122-34	Mach. Screw M2.5 x 0.45 x 8mm Cheese Hd., Slotted	4
12	SC-122-33	Mach. Screw M2.5 x 0.45 x 5mm Cheese Hd., Slotted	4
13	731141	Overlay (3100 & 3100C)(U.S.)	1
14	731143	Overlay (3100 & 3100C)(Canada)	1
15	731145	Overlay (3100 & 3100C)(Spanish)	1
16	731138	Stud - Threaded	1

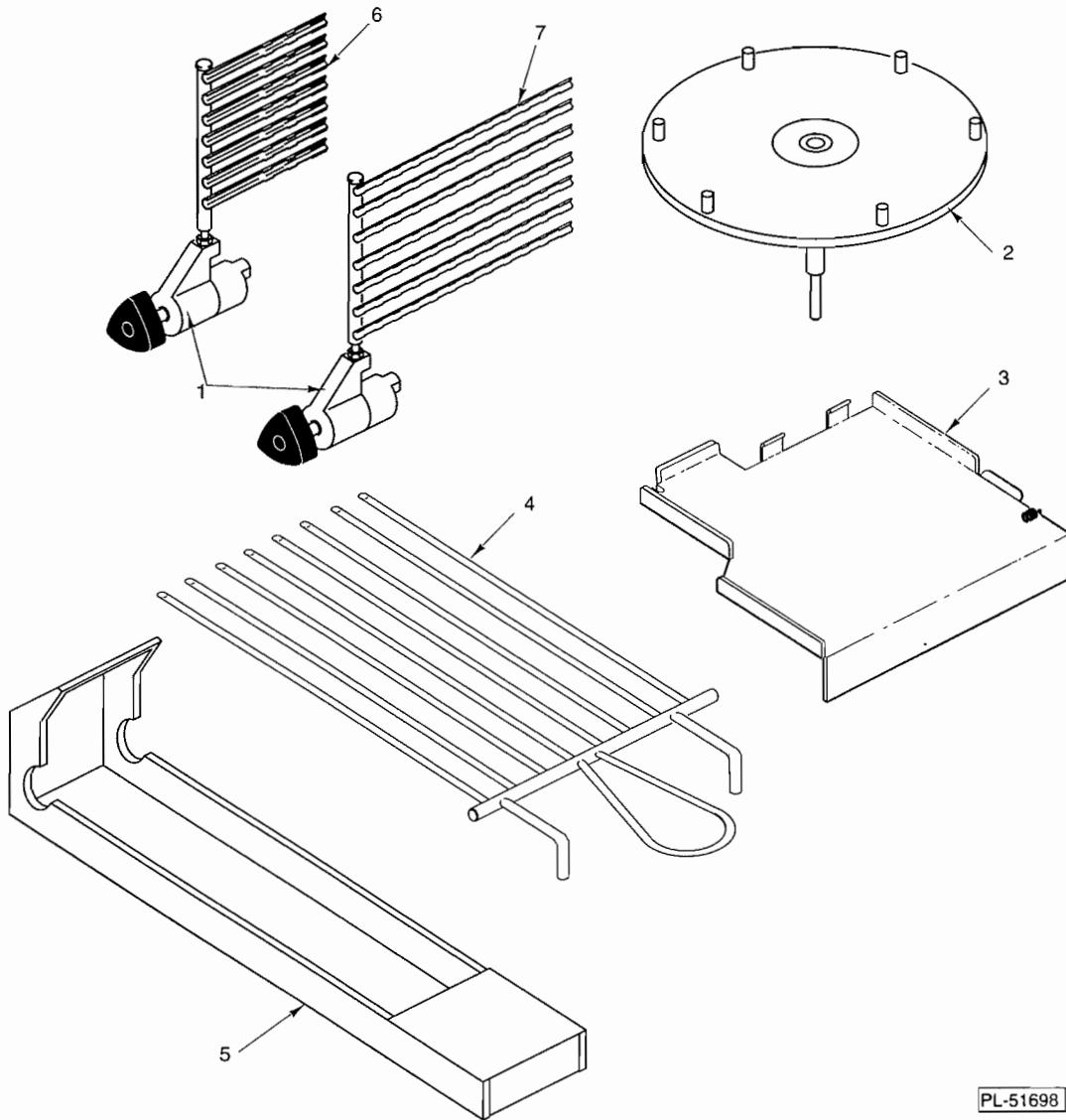


PL-51697

TRANSPORT ASSEMBLY

TRANSPORT ASSEMBLY

ILLUS. PL-51697	PART NO.	NAME OF PART	AMT.
1	731152	Guide Assy.(Incls. Clamps, Top, Center & Bottom Guide & Set Screws)	1
2	439183	Spring - Torsion	1
3	731150	Spacer - Upper	1
4	731124	Idler Shaft Assy.(Incls.item 7)	1
5	731123	Drive Shaft Assy.(Incls.item 10)	1
6	731148	Tension Roller Assy.(Incls.item 10)	1
7	BB-21-28	Ball Bearing - Fag 626	2
8	731151	Spacer - Tension Roller	1
9	731149	Spacer - Lower	1
10	BB-21-30	Ball Bearing - Bohrung 6900	2
11	731120	Chain - Plain	1
12	731122	Stud - Spring	8
13	731121	Spring - Compression	8
14	731158	Idler Wheel Assy.	8
15	731119	Chain - Spiked	7
16	731118	Transport Assy.(Incls.items 2 thru 17)	1
17	439184	Bracket - Depositor	1

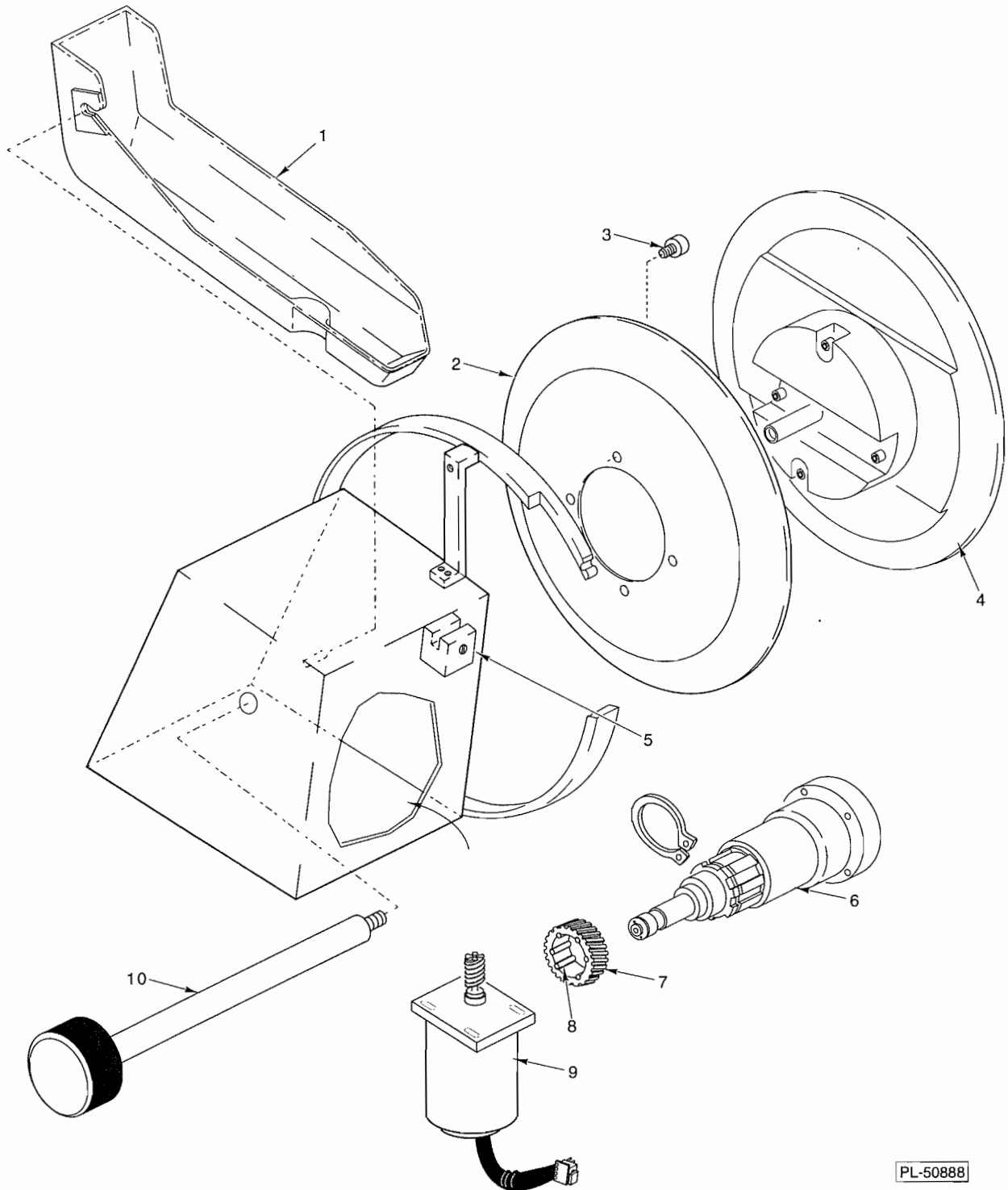


PL-51698

MISCELLANEOUS

MISCELLANEOUS

ILLUS. PL-51698	PART NO.	NAME OF PART	AMT.
1	439185	Knob Assy.	2
2	731117	Round Platter Assy.	1
3	731116	Rectangular Platter Assy.	1
4	731034	Fork	1
5	731206	Dispenser - Paper Strip	1
6	439187	Depositor - Sandwich Finger Assy.(Short)	1
7	439186	Finger Assy.(Long)	1

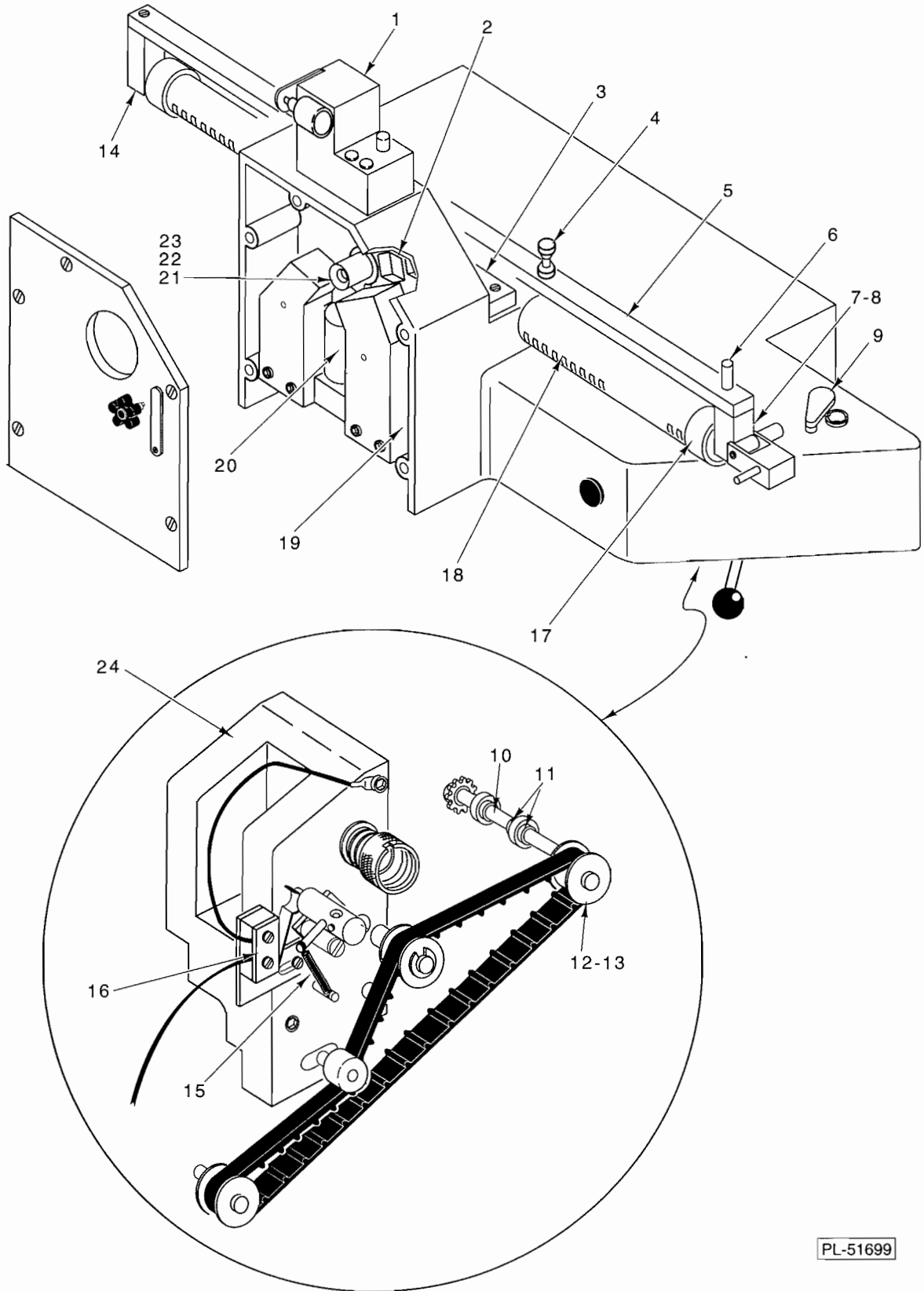


PL-50888

MOTOR HOUSING ASSEMBLY

MOTOR HOUSING ASSEMBLY

ILLUS. PL-50888	PART NO.	NAME OF PART	AMT.
1	731215	Collector - Scrap	1
2	731093	Knife	1
3	SC-122-10	Cap Screw M6 x 1.0 x 8mm Soc. Hd. SST	4
4	731091	Knife Cover Assy.	1
5	731095	Support - Transport	1
6	731088	Knife Shaft Assy. (Incls.items 7 & 8)	1
7	731090	Gear - Worm	1
8	731089	Absorber - Shock	6
9	731087	Knife Motor Assy.	1
10	731092	Knife Cover Knob Assy.	1

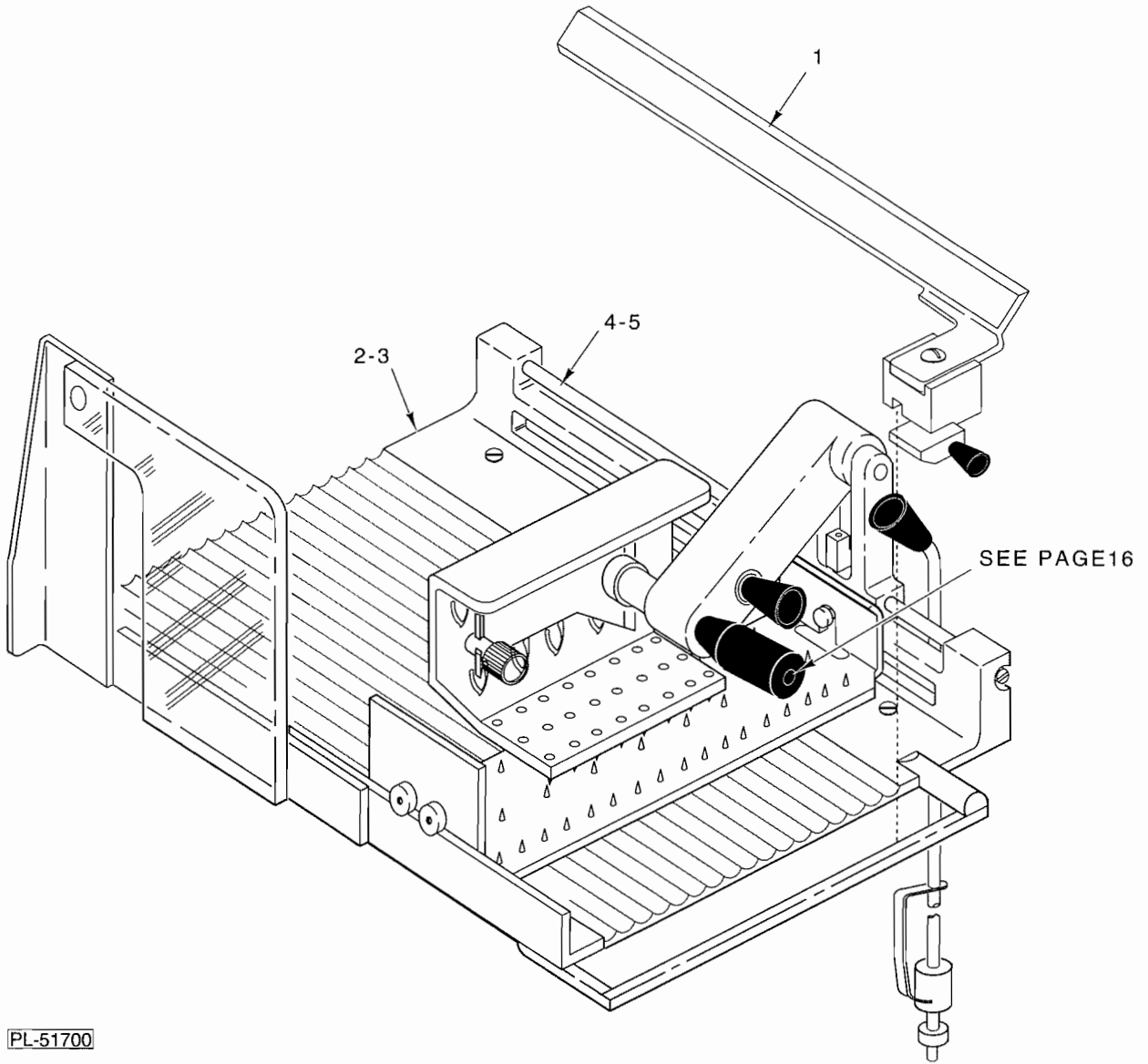


PL-51699

DEPOSITOR HOUSING ASSEMBLY

DEPOSITOR HOUSING ASSEMBLY

ILLUS. PL-51699	PART NO.	NAME OF PART	AMT.
1	731016	Bumper Assy.	1
2	731022	Sensor - Depositor (2 Sen)	1
3	731025	Hall Sensor Assy.(1 Hes, 2 Hes)	1
4	731021	Stud - Rack	1
5	731018	Rod - Tray	1
6	731020	Pin - Rack	1
7	731024	Spacer (For use with Standard Model)(3100)	1
8	731188	Follower Latch Assy.(For use with Conveyor)(In Place of Spacer)(3100C)	1
9	439315	Cover - Round Platter Drive	1
10	731015	Pinion Shaft Assy.(Incls.item 11)	1
11	RR-11-85	Ring - Retaining DIN 472	2
12	731067	Pulley - Drive	1
13	SC-122-8	Set Screw M4 x 0.7 x 4mm Hex Hdls. Flat Pt.	1
14	731024	Spacer	1
15	731066	Spring - Extension	1
16	731014	Switch - Round Platter	1
17	731023	Ring - Bumper	3
18	731019	Rack - Tray	1
19	731068	Coil - Up	1
20	731069	Coil - Down	1
21	439731	Actuator Shaft Assy.(Incls.items 22 & 23)	1
22	439732	Nut - Actuator Shaft	1
23	PG-11-28	Groov Pin 3mm x 6mm	2
24	731013	Round Platter Drive (Incls.item 16)	1

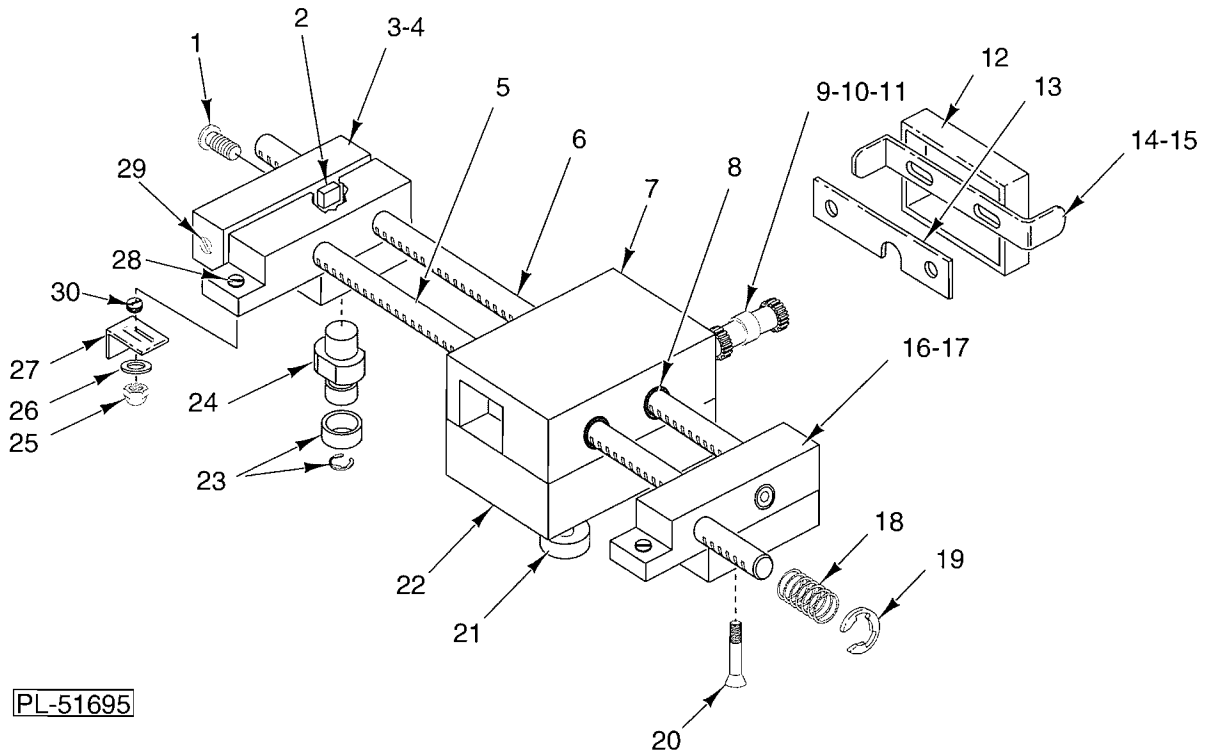


PL-51700

CARRIAGE ASSEMBLY

ILLUS. PL-51700	PART NO.	NAME OF PART	AMT.
1	438157	Fence	1
2	438075	Carriage Assy.	1
3	731096	Carriage Assy.(See Note 1 Below)	1
4	438072	Rod - Guide	1
5	731097	Rod - Guide (See Note 1 Below)	1

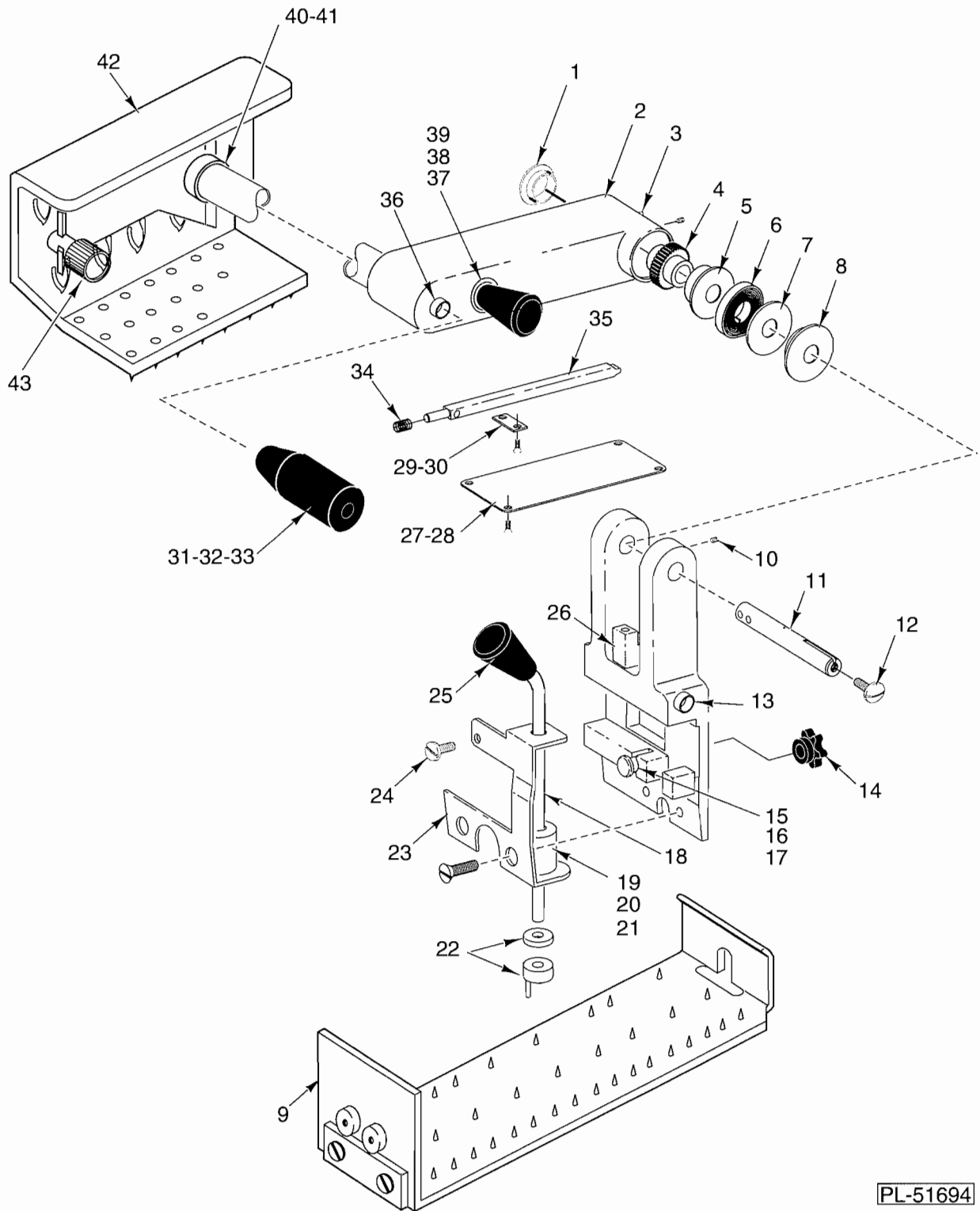
*Note 1 Prior to Serial Numbers.
 Model 3100 BH 0100079.
 Model 3100C BH 0100472.



PL-51695

FEED UNIT

ILLUS.	PART NO.	NAME OF PART	AMT.
1	439213	Screw - Special	2
2	439215	Bumper	2
3	439212	Block - Roller	1
4	SC-122-64	Set Screw M6 x 10mm Hdls., Cup Pt.	1
5	439206	Rack - Feed (Rear)	1
6	439205	Rack - Feed (Front)	1
7	439210	Housing (Upper)	1
8	439247	Bearing (Self-Lubricating)	6
9	439209	Gear - Clutch	2
10	439246	Bearing (Self-Lubricating)	3
11	439204	Shaft - Pinion	1
12	439202	Housing - Latch	1
13	439203	Spacer	1
14	439208	Latch Assy.	1
15	SC-121-14	Mach. Screw M4 x 20mm Flat Hd.	2
16	439216	Block - Support	2
17	SC-122-67	Cap Screw M5 x 21mm Socket Hd.	2
18	439211	Spring - Compression	1
19	RR-11-97	Retaining Ring	2
20	439214	Screw - Special	2
21	439207	Magnet Assy.	1
22	439201	Housing (Lower)	1
23	438166	Diverter Roller Assy.	1
24	438167	Stud - Diverter Roller	1
25	NS-47-91	Crown Nut M5	3
26	WS-30-50	Washer 5.3mm x 10mm x 1.0mm	3
27	439217	Stop - Feed	1
28	SC-122-67	Cap Screw M5 x 21mm Socket Hd.	2
29	SC-122-32	Mach. Screw M4 x 8mm Pan Hd.	2
30	SC-121-12	Set Screw M5 x 12mm Soc. Hdls. Cup Pt.	1

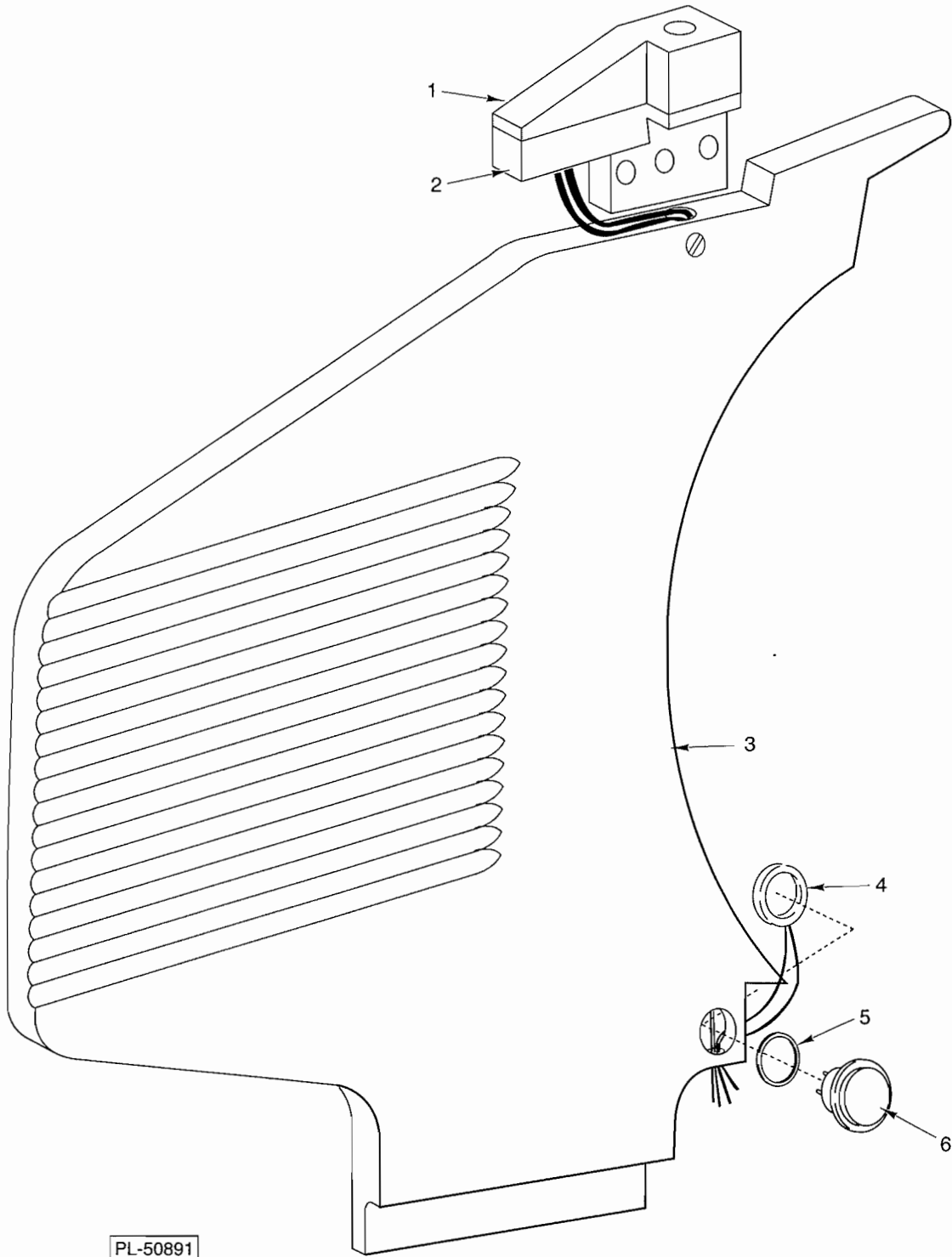


PL-51694

MEAT GRIP ARM UNIT

MEAT GRIP ARM UNIT

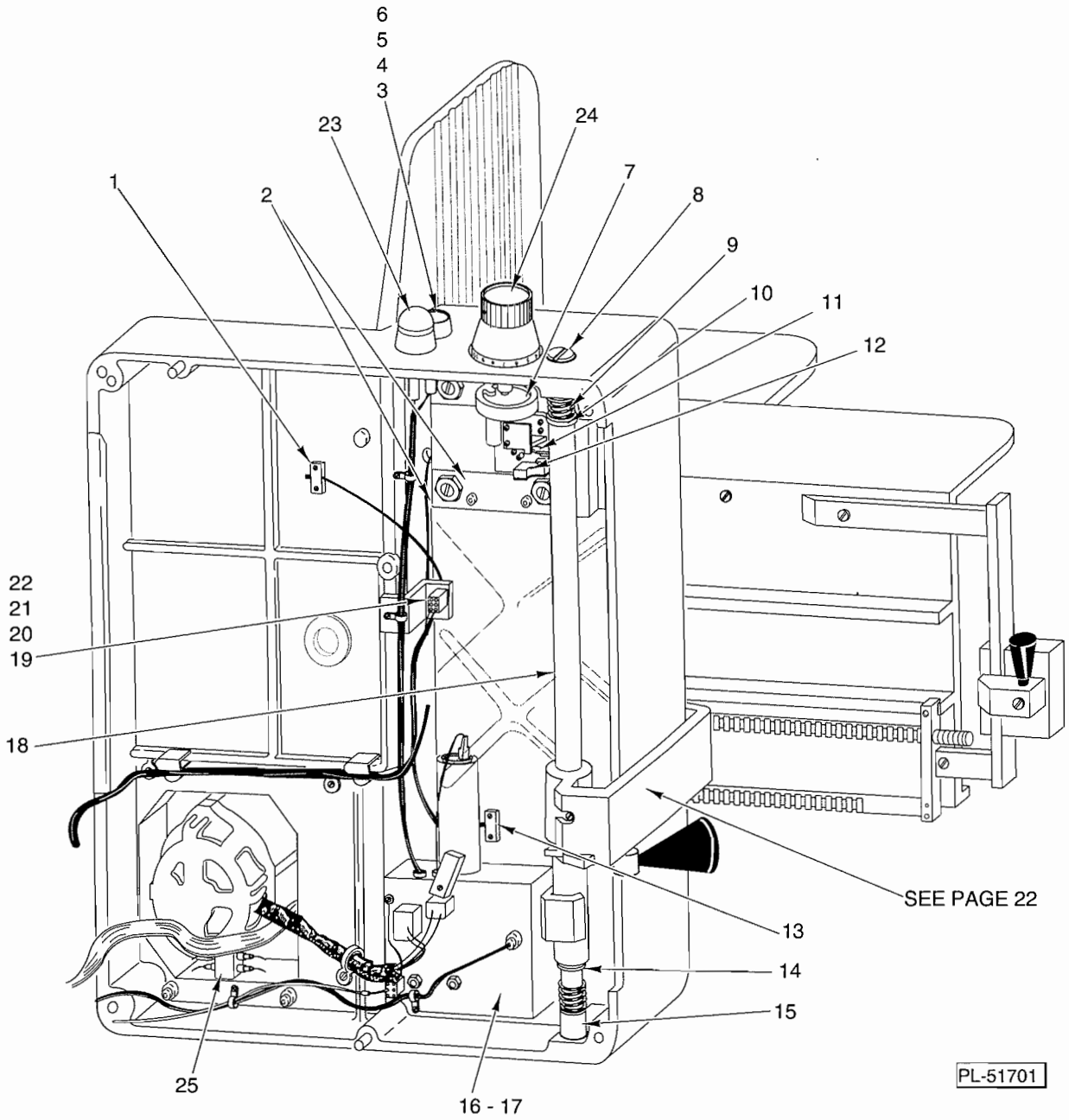
ILLUS. PL-51694	PART NO.	NAME OF PART	AMT.
1	439225	Washer	1
2	439222	Housing - Upper Arm	1
3	439230	Stud	1
4	439238	Gear - Clutch	1
5	439226	Spacer	1
6	439234	Spring - Flat Coil	1
7	439227	Cover	1
8	439228	Washer	1
9	731101	Grip - Meat (Lower)	1
10	SC-122-13	Set Screw M6 x 1.0 x 16mm Hex Hdls. Dog Pt.	1
11	439241	Shaft - Grip Arm	1
12	SC-121-53	Mach. Screw M6 x 10mm Truss Hd.	1
13	439262	Bushing 12 x 14 x 15	2
14	439237	Knob Assy.	1
15	439229	Stud - Lower Grip	1
16	439231	Pin	1
17	439232	Spring - Compression	1
18	439236	Shaft - Release	1
19	439221	Housing - Spring	1
20	731207	Spring - Compression	1
21	SC-122-32	Mach. Screw M4 x 8mm Pan Hd.	1
22	439235	Latch - Dog Assy.	1
23	439218	Bracket - Release Shaft	1
24	SC-121-18	Mach. Screw M4 x 8mm Pan Hd.	1
25	439199	Knob	1
26	439239	Stop	1
27	439223	Cover - Arm	1
28	SC-122-66	Mach. Screw M5 x 8mm Flat Hd.	2
29	439219	Bracket - Lock	2
30	SC-122-66	Mach. Screw M5 x 8mm Flat Hd.	4
31	731109	Handle - Meat Grip	1
32	SC-122-9	Cap Screw M5 x 0.8 x 45mm Socket Hex Hd.	1
33	731108	Washer - Spring	1
34	731181	Spring - Compression	1
35	439224	Lock - Bar	1
36	439261	Bushing 10 x 12 x 10	2
37	439199	Knob	1
38	439240	Shaft - Knob	1
39	439233	Grommet	1
40	731217	Meat Grip Support Assy.(Incls.item 41)	1
41	731106	Spacer	1
42	731100	Meat Grip - Top (Incls.item 43)	1
43	731209	Knob - Upper Meat Grip	1



GAGE PLATE ASSEMBLY

GAGE PLATE ASSEMBLY

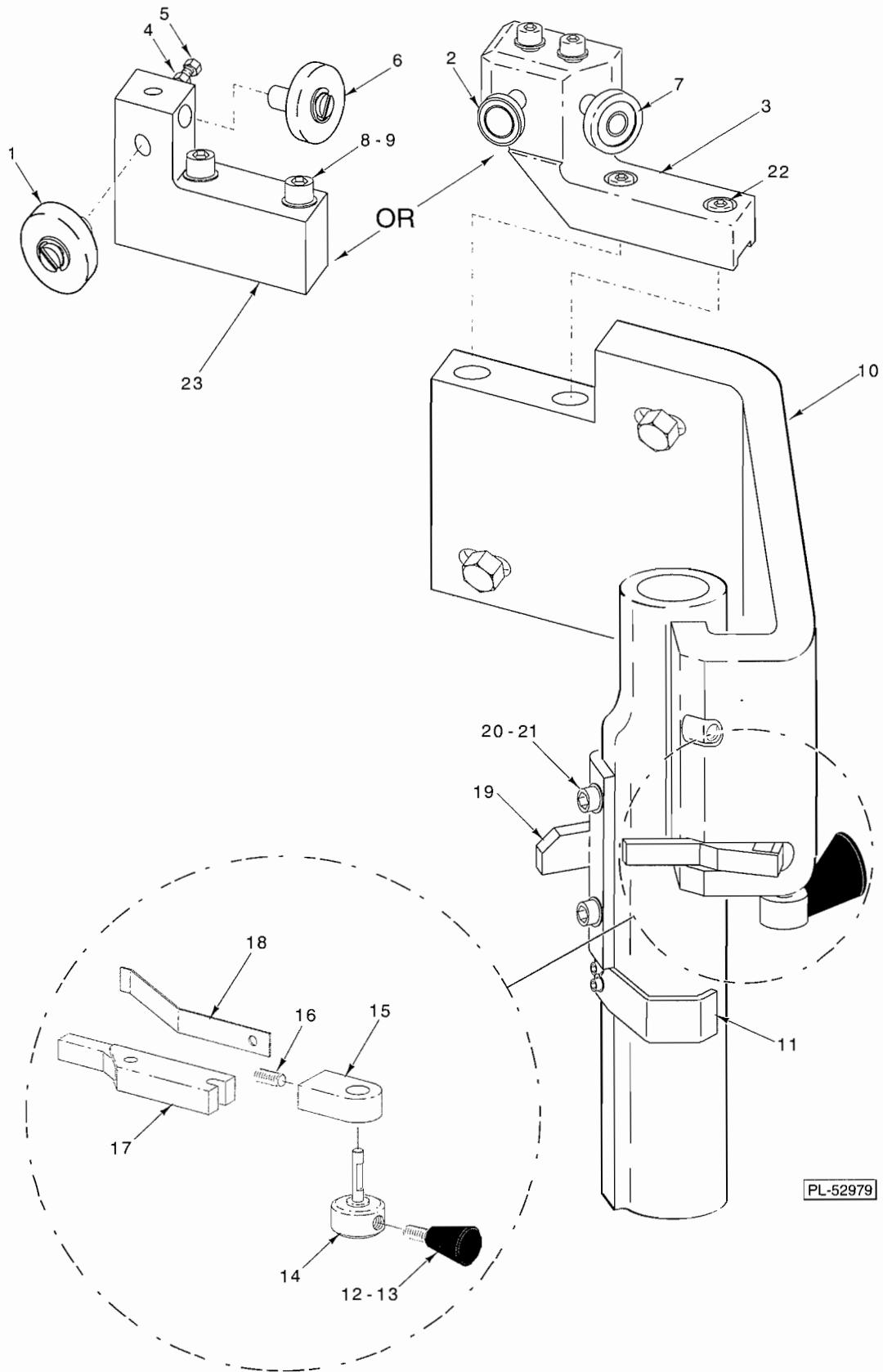
ILLUS. PL-50891	PART NO.	NAME OF PART	AMT.
1	731111	Transmitter - Top	1
2	731112	Transmitter - Bottom	1
3	731110	Gage Plate Assy. (Incls.items 1, 2, 4 & 6)	1
4	731114	Cover - Receiver	1
5	731115	Gasket	1
6	731113	Receiver (Incls.item 5)	1



UPPER BASE ASSEMBLY

UPPER BASE ASSEMBLY

ILLUS. PL-51701	PART NO.	NAME OF PART	AMT.
1	731074	Switch - Reed Assy.	1
2	731073	Rail - Slide	2
3	731075	Switch - Start	1
4	731177	Lamp - Start Switch (ML-104122 & ML-104123).....	1
5	438692	Lamp - Start Switch (ML-104493 & ML-104494).....	1
6	438705	Diode (ML-104493 & ML-104494).....	1
7	731072	Cam - Index	1
8	731082	Screw - Slide Rod	2
9	731078	Spring - Compression	2
10	731079	Support - Spring	1
11	439189	Interlock Assy.(Incls.item 12)	1
12	731070	Cam - Tilt	1
13	731074	Switch - Reed Assy.	1
14	731077	Bumper	2
15	731080	Support - Spring	1
16	438693	Power Supply (1 Ph., 115 V.)(ML-104493 & ML104494).....	1
17	731083	Power Supply (1 Ph., 115 V.)(ML-104122 & ML-104123)	1
18	731081	Rod - Slide	1
19	TW-1-69	Terminal - Female Socket	5
20	TW-1-70	Terminal - Male Pin	5
21	TW-1-71	Terminal - Socket Housing	1
22	TW-1-72	Terminal - Pin Housing	1
23	731076	Switch - Stop	1
24	731071	Knob Assy.	1
25	731203	Filter - Suppressor (1 FL)	1

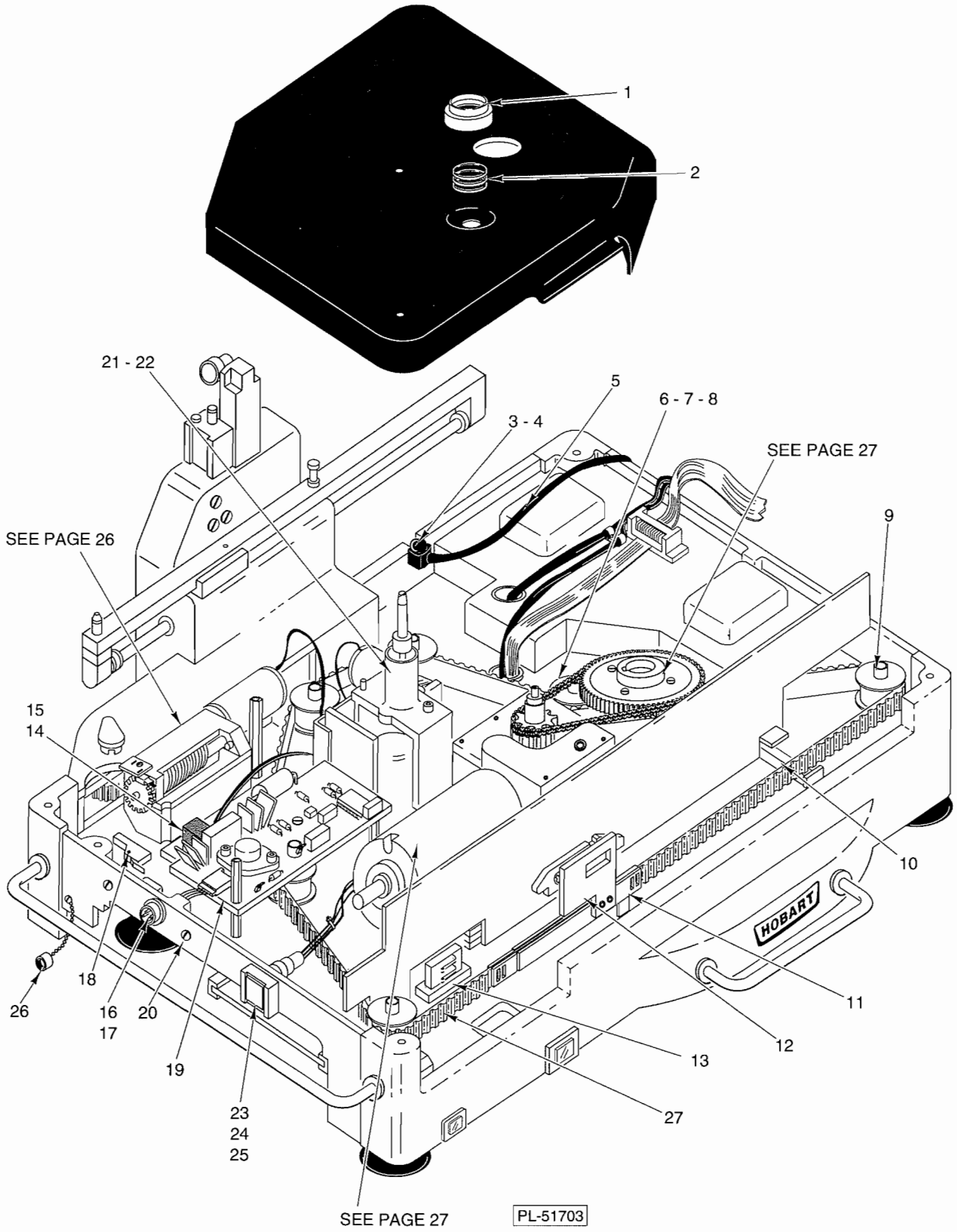


PL-52979

CARRIAGE SUPPORT ARM

CARRIAGE SUPPORT ARM

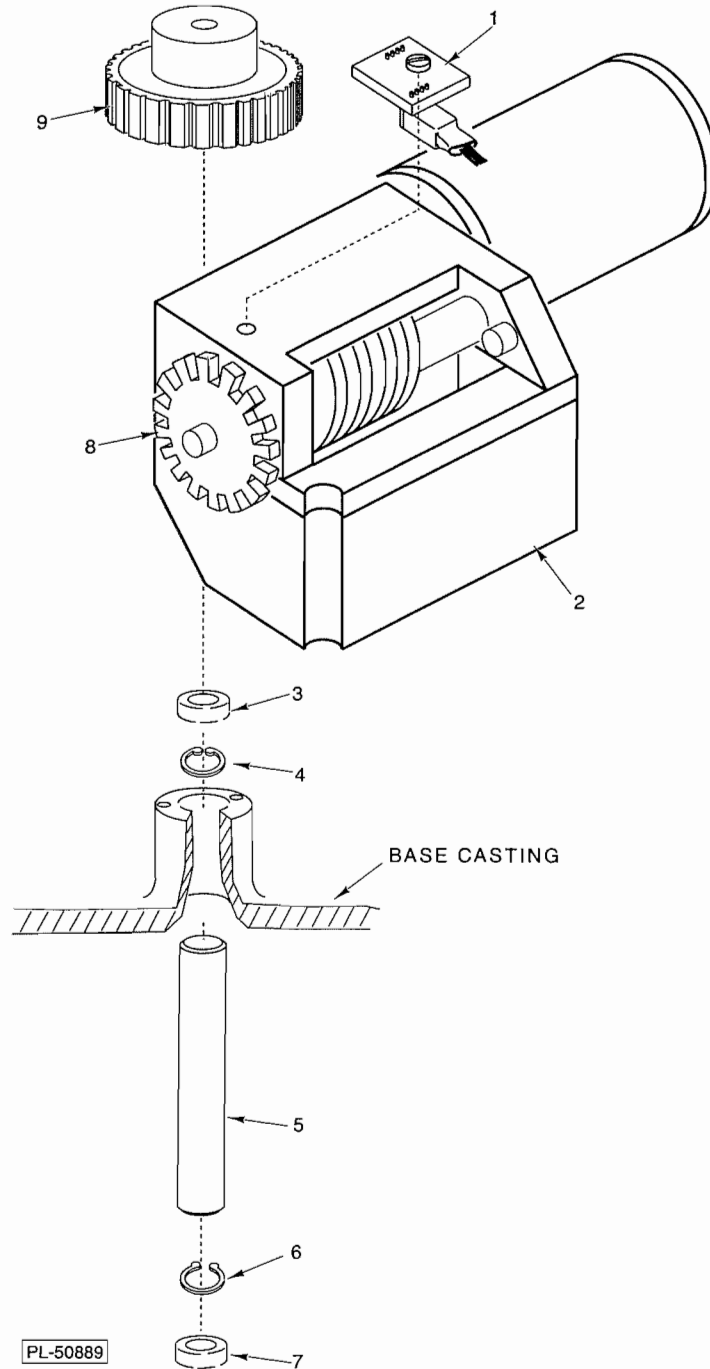
ILLUS. PL-52979	PART NO.	NAME OF PART	AMT.
1	731205	*Roller Assy.(ML-104122 & ML-104123)	1
2	439736	*Roller Assy.(ML-104493 & ML-104494)	1
3	439200	*Block - Roller (ML-104122 & 104123)	1
4	NS-47-50	Nut Hex M6 x 1.0	1
5	SC-121-83	Cap Screw M6 x 25mm Hex Hd.	1
6	731204	*Plastic Roller Assy.(ML-104122 & ML104123)	1
7	439737	*Plastic Roller Assy.(ML-104493 & ML-104494)	1
8	SC-122-73	Cap Screw M5 x 30mm Soc. Hd.	2
9	WS-30-64	Washer	2
10	477854	Arm - Carriage Support	1
11	731103	Hanger - Timing Belt	1
12	439199	Knob	1
13	SC-122-65	Set Screw M5 x 16mm	1
14	439198	Shaft - Latch	1
15	439195	Lever	1
16	SC-121-12	Set Screw M5 x 12mm Soc. Hds. Cup Pt.	1
17	439197	Latch Assy.	1
18	439196	Spring Assy.	1
19	439194	Interlock - Tab	1
20	WS-30-62	Washer	2
21	SC-120-44	Cap Screw M4 x 10mm Soc. Hd.	2
22	SC-122-81	Cap Screw M5 x 20mm Soc. Hd	2
23	439734	*Block - Roller (ML-104493 & ML-104494)	1



LOWER BASE ASSEMBLY (UPPER)

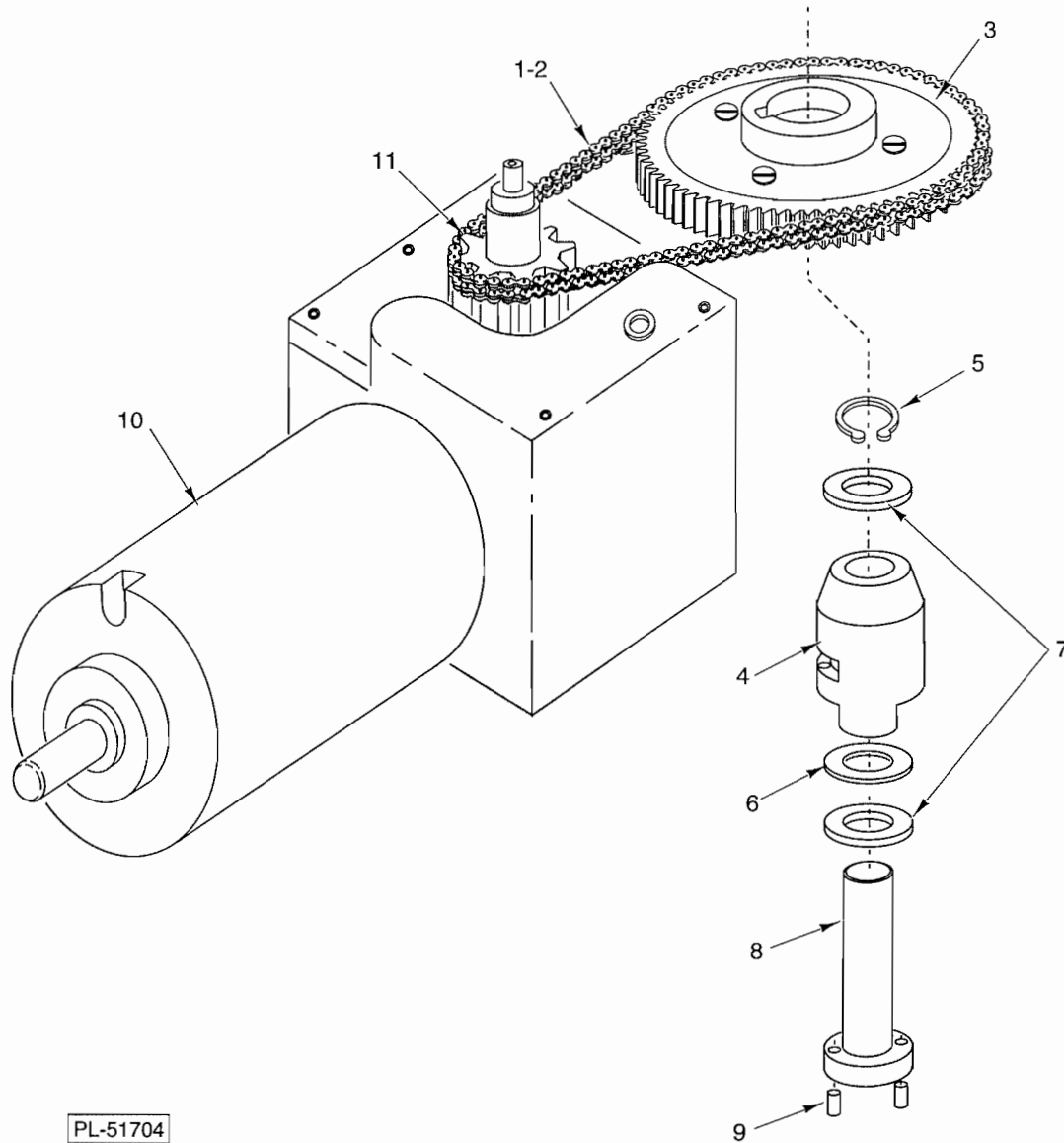
LOWER BASE ASSEMBLY (UPPER)

ILLUS. PL-51703	PART NO.	NAME OF PART	AMT.
1	731208	Seal - Shaft	1
2	731207	Spring - Compression	1
3	731085	Strain Relief Assy.	1
4	FE-24-96	Nut - Strain Relief	1
5	731084	Cord - Power Supply	1
6	731041	Pulley - Timing Belt	1
7	731042	Shaft - Carriage Way	1
8	SC-122-8	Set Screw M4 x 0.7 x 4mm Hex Hdls. Flat Pt.	1
9	731044	Pulley - Idler	5
10	731006	Sensor - Program Start (4 Sen)	1
11	731037	Belt - Timing	1
12	731039	Clip - Timing Belt	1
13	731046	Switch - Carriage Travel	2
14	438691	Relay Assy.(Auto Shut-Off)(ML-104493 & ML-104494)	1
15	438690	Board - PC Relay (Auto Shut-Off)(ML-104493 & ML-104494)	1
16	439714	Connector - 6 Pin (Male)(ML-104122 & ML-104123)	1
17	439714-2	Connector - 6 Pin (Male)(ML-104493 & ML-104494)	1
18	731005	Switch - Interlock	1
19	731008	PC Board - Carriage	1
20	731045	Potentiometer - Brake	1
21	731009	Transport Motor Assy.(Incls.item 22)	1
22	731059	Sensor - Transport (3 Sen)	1
23	731047	Switch - Automatic (Incls.item 24)(ML-104122 & ML-104123)	1
24	731165	Lamp - Switch	1
25	438688	Switch - Automatic (Incls.item 24)(ML-104493 & ML-104494)	1
26	439190	Cover - Footswitch Plug	1
27	731038	Belt - Timing	1



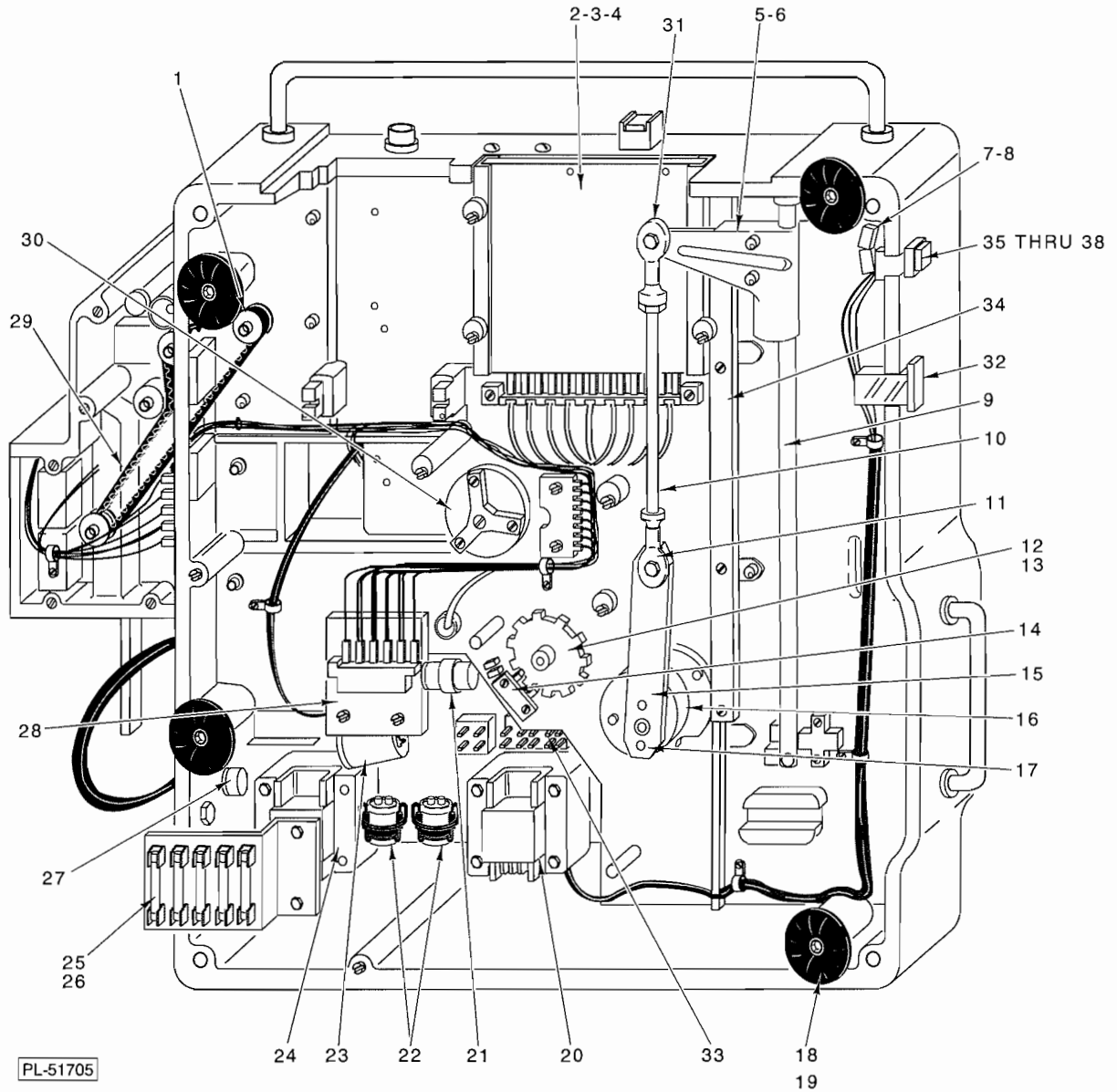
TRAY MOTOR ASSEMBLY

ILLUS. PL-50889	PART NO.	NAME OF PART	AMT.
1	731183	Sensor - Tray (5 Sen)	1
2	731010	Tray Motor Assy. (Incls.items 1 & 8)	1
3	BB-21-29	Bearing - Ball	1
4	RR-11-87	Ring - Retaining	1
5	731062	Shaft - Tray Drive	1
6	RR-11-87	Ring - Retaining	1
7	BB-21-29	Bearing - Ball	1
8	731060	Wheel - Counting	1
9	731061	Worm Gear Assy. (Incls. Hub, Gear, Set Screw & Roll Pins)	1



CARRIAGE MOTOR

ILLUS.	PART NO.	NAME OF PART	AMT.
1	731050	Link - Master	1
2	731049	Chain	1
3	731055	Sprocket	1
4	731162	Hub Assy.	1
5	RR-11-90	Retaining Ring (DIN 471)	1
6	731222	Shim	1
7	731164	Washer	2
8	731163	Shaft - Sprocket Hub	1
9	PS-5-16	Spirol Pin 4mm	2
10	731007	Motor - Carriage (Incls.item 11)	1
11	439191	Sprocket Assy. - 10T	1

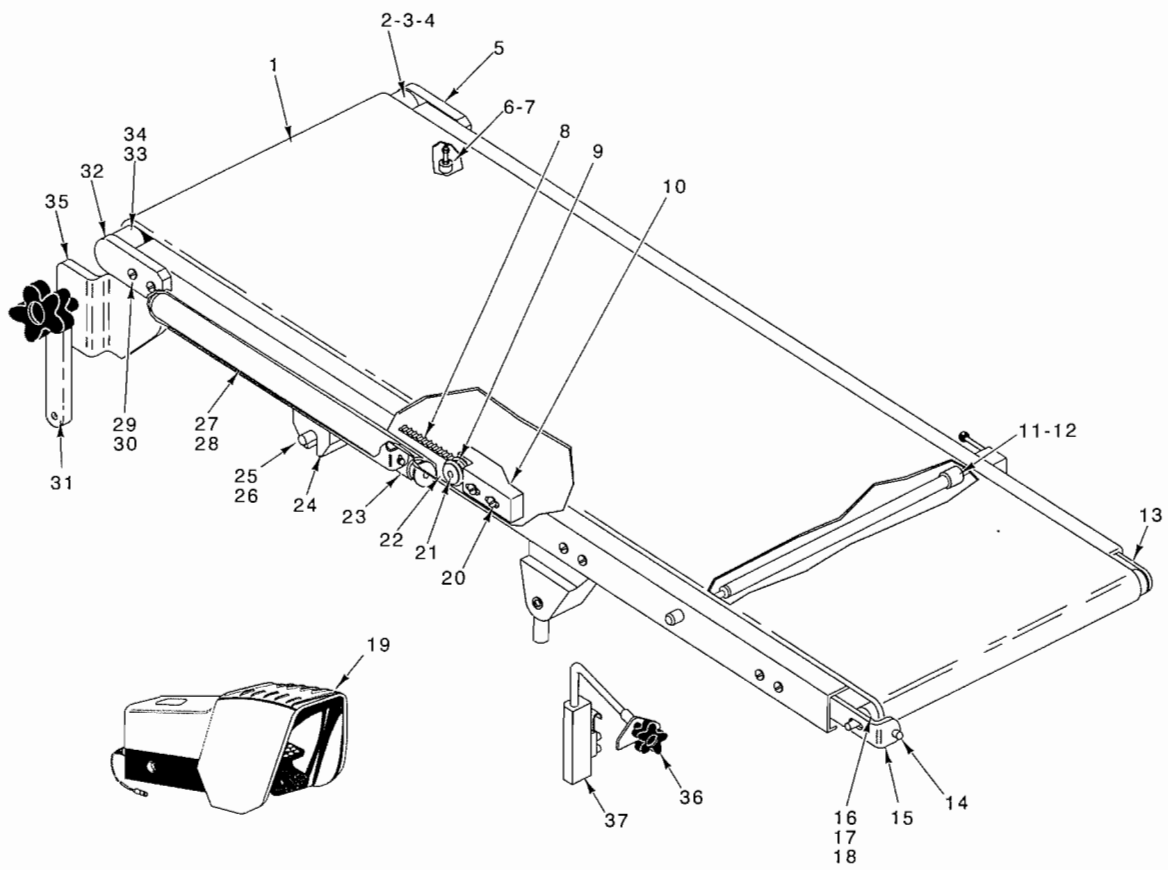


LOWER BASE ASSEMBLY (BOTTOM)

LOWER BASE ASSEMBLY (BOTTOM)

ILLUS. PL-51705	PART NO.	NAME OF PART	AMT.
1	731063	Pulley - Tray Belt	1
2	731036	Board - PC Main (Incls.item 4)	1
3	731201-3	Eprom (Sandwich Program)	1
4	731201-4	Eprom (Standard Program)	1
5	731056	Slide Assy.(Incls.items 6 & 31 Spacer & Screw)	1
6	731057	Guide - Plastic	1
7	438071	Counter Switch Harness (Incls.items 32, 36, 37 & 38)	1
8	731032	Counter Switch Harness (Incls.items 32 & 35)(See Note 1 Below)	1
9	731058	Rod Slide Assy.	1
10	731051	Rod - Threaded (Incls. Nuts)	1
11	731052	Bearing 1 Rod End (L.H.)(Incls. Spacer & Screw)	1
12	731004	Wheel - Counting	1
13	SC-122-8	Set Screw M4 x 0.7 x 4mm Hex Hdls. Flat Pt.	1
14	731003	Sensor - Carriage Movement (1 Sen)	1
15	731054	Arm - Crank	1
16	731164	Washer	1
17	PS-5-16	Spirol Pin 4mm	2
18	731000	Foot	4
19	SC-122-63	Cap Screw 6m x 25mm Hex Hd.	4
20	731027	Transformer (2 T)	1
21	731031	Capacitor (3 C)	1
22	731030	Capacitor (2 C, 4 C).....	2
23	731035	Filter - Suppressor (2 FL)	1
24	731028	Transformer (1 T)	1
25	FE-24-93	Fuse 250 V., 2 A	3
26	FE-24-94	Fuse 250 V., 4 A	2
27	FE-24-92	Fuse 250 V.,3.15 A	1
28	731001	Stabilizer - Voltage	1
29	731064	Belt - Timing	1
30	731216	Disk Brake Assy.	1
31	731053	Bearing - Rod End (R.H.)(Incls. Spacer & Screw)	1
32	439192	Counter	1
33	731029	Rectifier (1 BR, 2 BR, 3 BR)	3
34	731040	Guide	1
35	731002	Switch - Carriage Speed (See Note 1 Below)	1
36	438070	Switch - Carriage Speed	1
37	438077	Cap - Switch (Use with Item 36 Only)	1
38	438076	Seal - Ring (Use with Item 36 Only)	1

*Note 1 Prior to Serial Numbers:
 Model 3100 BH 0100079.
 Model 3100C BH 0100472.

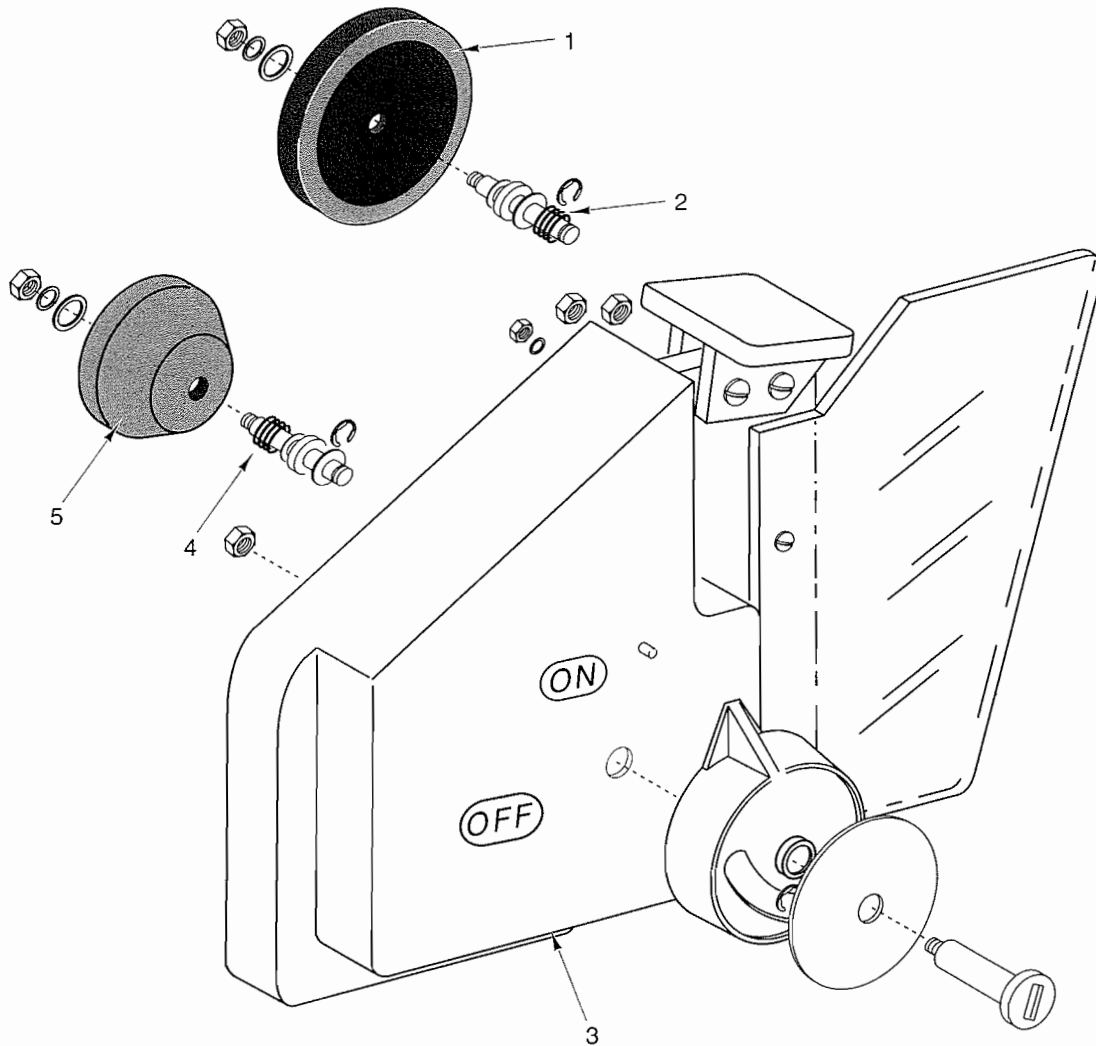


PL-51706

CONVEYOR ASSEMBLY

CONVEYOR ASSEMBLY

ILLUS. PL-51706	PART NO.	NAME OF PART	AMT.
1	731180	Belt - Conveyor	1
2	731168	Roller - Drive	1
3	731184	Pulley - Drive Roller Assy.	1
4	RR-11-89	Ring - Retaining Series 10	2
5	731169	Block - Bearing (R.H.)	1
6	731185	Foot - Conveyor	1
7	WS-30-50	Washer 5.3mm x 10mm x 1.0mm	1
8	731179	Belt - Drive	1
9	731186	Pulley - Conveyor	1
10	731173	Block - Bearing	1
11	731174	Cam	2
12	SC-122-13	Set Screw M6 x 1.0 x 16mm Hex Hdls. Dog Pt.	2
13	439243	Bracket - Roller (R.H.)	1
14	SC-118-59	Set Screw M4 x 30mm Slotted Pan Hd.	1
15	439244	Bracket - Roller (L.H.)	1
16	731187	Reversing Roller Assy.	1
17	731181	Spring - Compression	1
18	731175	Spacer - Revolving Roller	1
19	438687	Switch - Foot	1
20	SC-118-31	Mach. Screw M5 x 0.8 x 16mm Slotted Pan Hd.	2
21	731178	Pin	1
22	WS-30-32	Washer 6.4mm x 12.5mm x 1.5mm	2
23	731182	Spring - Compression	1
24	731172	Follower	1
25	731176	Clamp	1
26	SC-200-2	Mach. Screw M4 x 0.7 x 10mm Slotted Pan Hd.	2
27	731171	Shaft - Follower	1
28	RR-11-88	Ring - Retaining Series 8	2
29	SC-122-12	Mach. Screw M5 x 0.8 x 20 mm Pan Hd.	4
30	NS-47-37	Nut - Hex M5 x 0.8	4
31	731043	Knob Assy.	1
32	731170	Block - Bearing (L.H.)	1
33	731167	Spacer - Drive Roller	1
34	BB-21-30	Ball Bearing - Bohrung 6900	2
35	439245	Bracket - Support	1
36	731190	Handle Assy.	1
37	731211	Support Assy.	1



SHARPENER ASSEMBLY

ILLUS. PL-50837	PART NO.	NAME OF PART	AMT.
1	731127	Stone - Grind	1
2	731130	Spring - Compression	1
3	731126	Sharpener Assy. (Incls.items 1, 2, 4 & 5)	1
4	731128	Spring Compression	1
5	731129	Stone - Hone	1