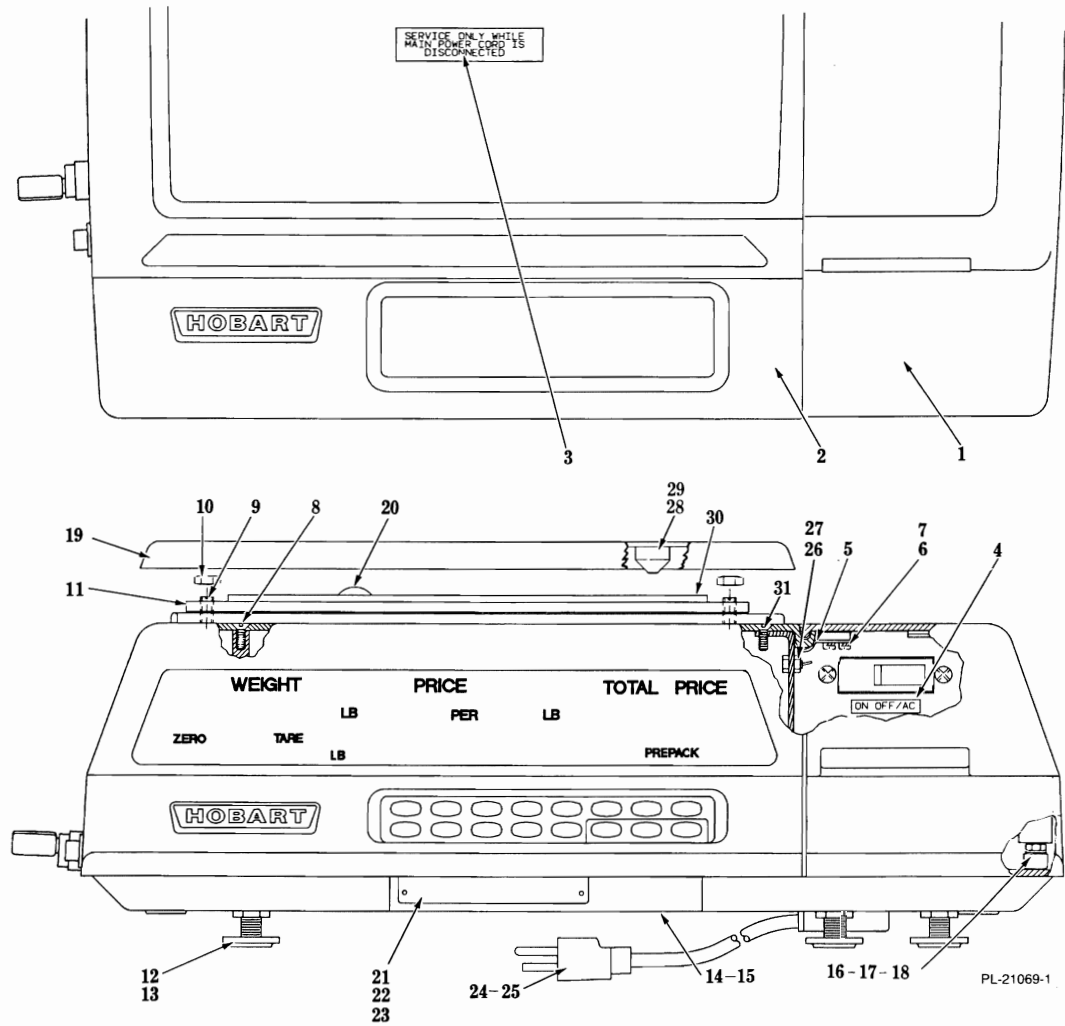




CATALOG OF REPLACEMENT PARTS

MODEL 1870 SCALE/PRINTER

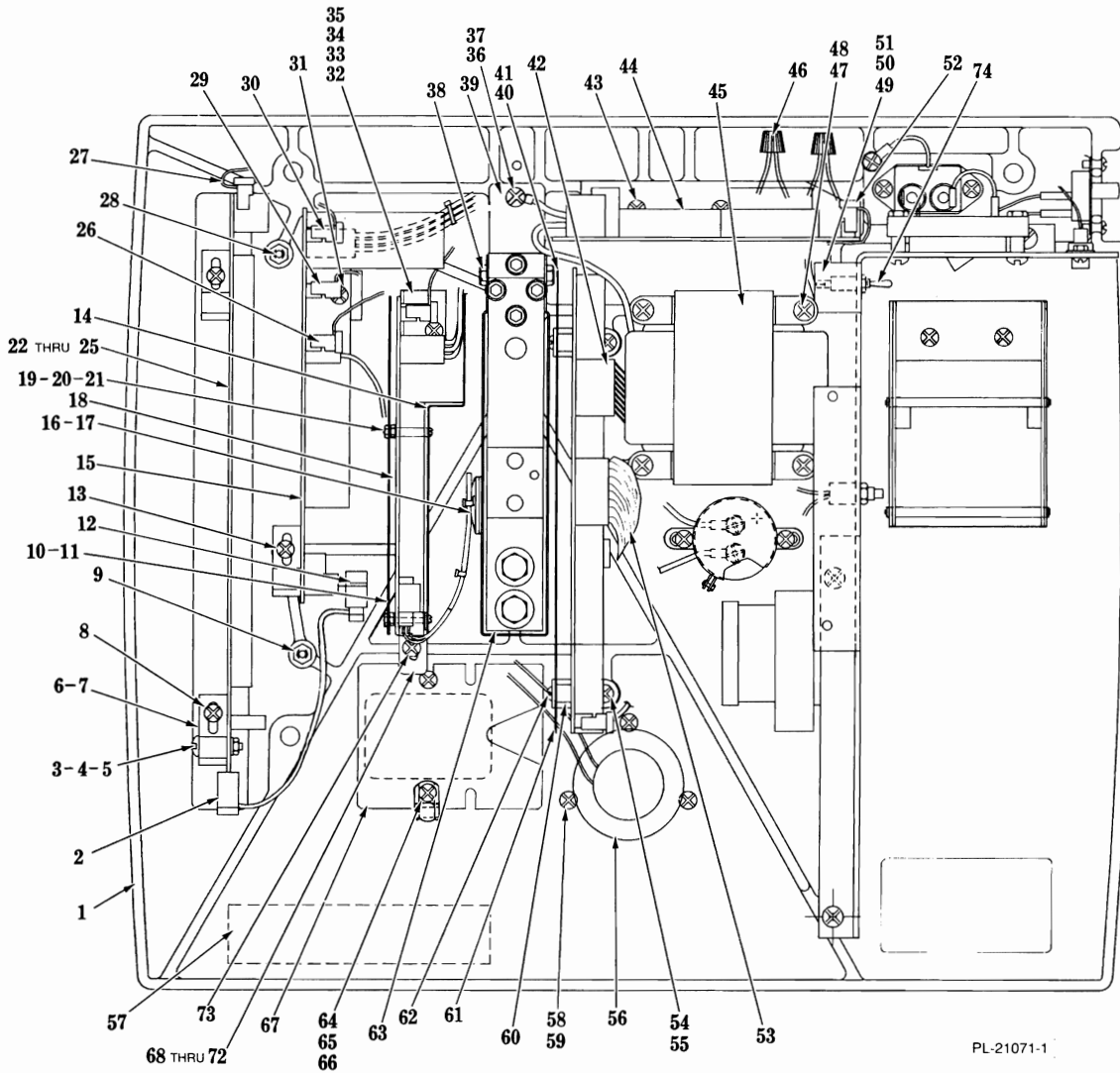
ML-28755 1870M
ML-28758 1870F



HOUSING

HOUSING

ILLUS. PL-21069-1	PART NO.	NAME OF PART ³⁶	AMT.
1	258115-2	Cover - Printer	1
2	258114-2	Cover - Scale	1
3	252568	Label - UL Service	1
4	258918	Label - On-Off/AC	1
5	258292	Clip Hinge	2
6	SC-18-30	Mach. Screw 8-32 x 1/4 Phil. Pan Hd	4
7	WL-8-7	Lock Washer 8 Int. Shakeproof	4
8	SC-20-29	Mach. Screw 8-32 x 1/2 Phil. Flat Hd	4
9	41034	Set Screw 1/4-20 x 3/8 "Nylok"	4
10	NS-17-3	Mach. Nut 1/4-20 Hex Jam	AR
11	258175	Platter Support Assy. (Incls. items 20 & 30)	1
12	258327	Foot - Leveling	4
13	258287	Strip - Scale Retainer	1
14	258277	Screen - Base (3" x 3 3/8")	1
15	SD-15-30	Self-Tapping Screw 8-32 x 5/16 Phil. Pan Hd., Type TT	4
16	258343	Bumper - End	1
17	SC-89-70	Cap Screw 10-32 x 5/8 Soc. Hex Hd	1
18	NS-9-30	Mach. Nut 10-32 Hex	1
19	258154	Platter Assy. (Incls. items 28 & 29)	1
20	259515	Contact - Finger (16 pieces)	1
21	41191	Plate - Data (1870M) (Include S/N of Scale)	1
22	41193	Plate - Data (1870F) (Include S/N of Scale)	1
23	SD-33-15	Self-Tapping Screw 0-3/16 Rd. Hd., Type U	2
24	334654	Power Cord Assy. W/Right Angle Connectors	AR
25	257200	Power Cord Assy	AR
26	NS-47-44	Jam Nut 1/4-40 Hex	1
27	256676	Label - Switch	1
28	257143	Locator - Platter	2
29	258959	Fastener - Dual Lock (Type 400)	4
30	258958	Fastener - Dual Lock (Type 170)	4
31	WL-19-60	Lock Washer 8 Countersunk	1
	259563	Diagram Threading	1
	258166	Label - Index	1
	76971	Logo - Hobart	2
	258529	Plate - Data	1
	538385-2	Accelerator (Use with item 28)	AR
	538385	Adhesive (Use with item 28)	AR



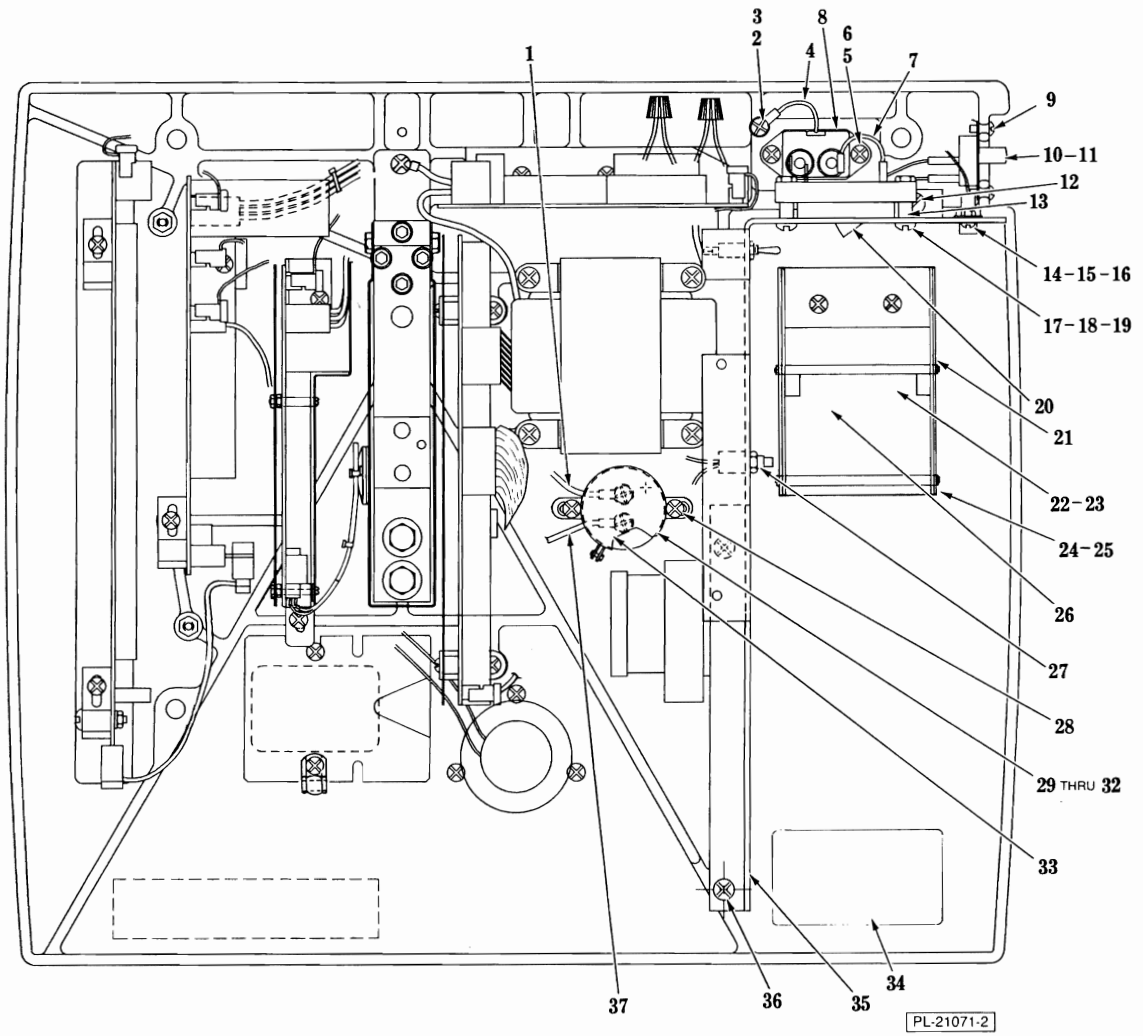
PL-21071-1

BASE

ILLUS. PL-21071-1	PART NO.	NAME OF PART ³⁶	AMT.
1	258113-2	Base	1
2	259315	Ribbon - Cable Assy	1
3	SC-81-5	Mach. Screw 4-40 × ¾ Rd. Hd	2
4	WL-8-45	Lock Washer 4 Int. Shakeproof	2
5	NS-9-2	Mach. Nut 4-40 Hex	2

BASE (Cont.)

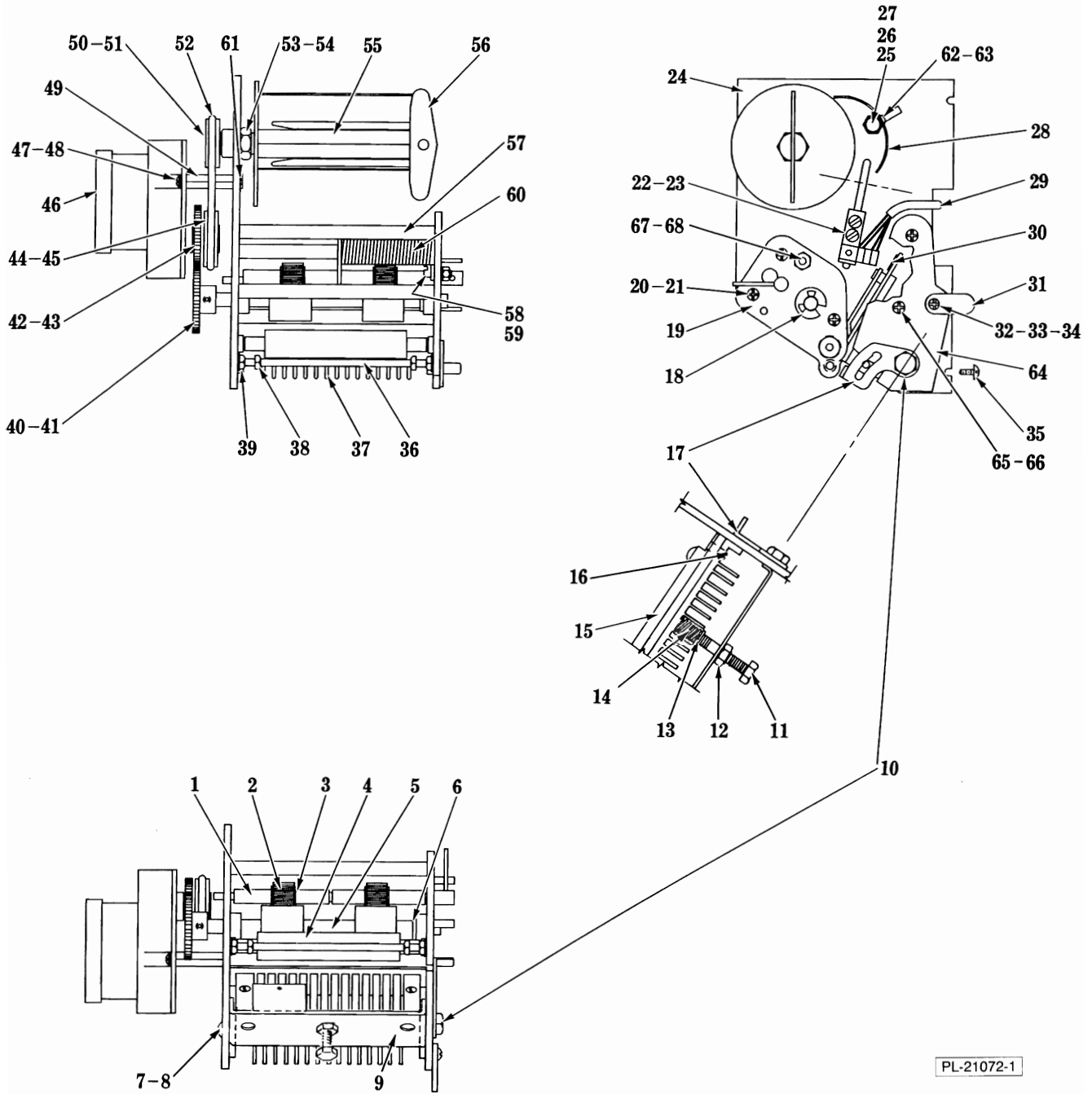
ILLUS. PL-21071-1	PART NO.	NAME OF PART ³⁶	AMT.
6	251993	Block P.C. Board	2
7	2807	Washer (Fiber)	1
8	SD-33-91	Self-Tapping Screw 6-32 x 5/16 Phil. Pan Hd., Type TT	1
9	41206	Post - Top Housing Support	2
10	259026	Shielf - EMI	1
11	259011	Bumper - Rubber	3
12	259314	Board - Circuit	1
13	SD-33-91	Self-Tapping Screw 6-32 x 5/16 Phil. Pan Hd., Type TT	1
14	258220	Shield - (A-D Board)	1
15	183234	Central Board Assy	1
16	255503	Mount - Cable Tie	1
17	251199	Tie - Cable	AR
18	41211	A to D Board Assy	1
19	NS-9-2	Mach. Nut 4-40 Hex	2
20	255256	Spacer	1
21	SC-113-19	Mach. Screw 4-40 x 7/8 Phil. Pan Hd	1
22	258512-4	Memory Board Assy	1
23	259580	PROM (U4)	1
24	259581	PROM (U5)	1
25	256627	RAM (HK)	AR
26	259049-1	CPC/A-D Harness Assy	1
27	258632	Cassette Harness Assy	1
28	256247	Tubing - Insulation	1
29	183342-1	Display Harness Assy	1
30	258123-1	Printer Harness Assy	1
31	SD-33-30	Self-Tapping Screw 6-32 x 7/16 Phil. Pan Hd., Type TT	1
32	255228	Bracket - Mounting (Heat Sink)	1
33	SC-7-14	Mach. Screw 4-40 x 3/8 Rd. Hd	1
34	WL-8-45	Lock Washer 4 Int. Shakeproof	1
35	NS-9-2	Mach. Nut 4-40 Hex	1
36	SD-15-30	Self-Tapping Screw 8-32 x 5/16 Phil. Pan Hd., Type TT	1
37	WL-7-7	Lock Washer 8 Ext. Shakeproof	1
38	SC-62-87	Cap Screw 8-32 x 1/4 Hex Hd	4
39	255506	Grounding Wire Assy	1
40	258370-3	Printer Logic Board Assy	1
41	259649	PROM Kit	1
42	258158-1	Motor Control Harness Assy. (Incls. items 74)	1
43	SD-33-91	Self-Tapping Screw 6-32 x 5/16 Phil. Pan Hd., Type TT	2
44	183183-1	Power Supply Board Assy	1
45	258241	Transformer Assy	1
46	FE-6-17	Connector - Wire Nut	2
47	SD-15-30	Self-Tapping Screw 8-32 x 5/16 Phil. Pan Hd., Type TT	4
48	WL-7-7	Lock Washer 8 Ext. Shakeproof	4
49	258469	Stop - Spring	1
50	SD-15-39	Self-Tapping Screw 8-32 x 1/4 Phil. Pan Hd., Type TT	2
51	WL-8-7	Lock Washer 8 Int. Shakeproof	2
52	258124-1	Motor Harness Assy	1
53	255430	Ribbon Cable - Printer	1
54	255411	Bracket - Logic Board	2
55	SD-15-30	Self-Tapping Screw 8-32 x 5/16 Phil. Pan Hd., Type TT	1
56	182212	Speaker Assy	1
57	255111	Label - Warning	1
58	SD-33-91	Self-Tapping Screw 6-32 x 5/16 Phil. Pan Hd., Type TT	3
59	WS-23-48	Washer	3
60	255527	Support - PC Board	4
61	258228	Shield - Logic Board	1
62	SD-15-37	Self-Tapping Screw 6-32 x 1/4 Phil. Pan Hd., Type TT	4
63	258218	Shield - Flexure	1
64	SD-33-30	Self-Tapping Screw 6-32 x 7/16 Phil. Pan Hd., Type TT	2
65	WS-23-48	Washer	1
66	253363	Clamp	1
67	258336	Plate - Cover	1
68	258229	Bracket - Mounting	1
69	SC-113-19	Mach. Screw 4-40 x 7/8 Phil. Pan Hd	1
70	WL-8-45	Lock Washer 4 Int. Shakeproof	2
71	NS-9-2	Mach. Nut 4-40 Hex	2
72	258302-3	Spacer	1
73	SD-33-91	Self-Tapping Screw 6-32 x 5/16 Phil. Pan Hd., Type TT	2
74	256675	Switch - Toggle (Label Media)	1
	519504	Thermal Joint Compound (2 oz.)	1



BASE

BASE

ILLUS. PL-21071-2	PART NO.	NAME OF PART ³⁶	AMT.
1	258204	Wire Assy. - Capacitor	1
2	SD-15-30	Self-Tapping Screw 8-32 × 5/16 Phil. Pan Hd., Type TT	1
3	WL-7-7	Lock Washer 8 Ext. Shakeproof	1
4	258252	Wire Assy. (Filter)	1
5	SC-113-10	Mach. Screw 4-40 × 3/8 Phil. Pan Hd	2
6	WL-8-45	Lock Washer 4 Int. Shakeproof	2
7	258203	Wire Assy	1
8	258120	Filter - Line	1
9	SC-71-6	Mach. Screw 6-32 × 7/16 Phil. Truss Hd	2
10	41100	Power Switch & Harness Assy	1
11	258117	Label (ON OFF/REZERO)	1
12	WL-7-7	Lock Washer 8 Ext. Shakeproof	1
13	133133	Spacer	2
14	SC-113-10	Mach. Screw 4-40 × 3/8 Phil. Pan Hd	2
15	WL-8-45	Lock Washer 4 Int. Shakeproof	2
16	NS-9-2	Mach. Nut 4-40 Hex	2
17	SC-74-12	Mach. Screw 6-32 × 7/8 Phil. Rd. Hd	2
18	NS-9-7	Mach. Nut 6-32 Hex	2
19	WL-8-1	Lock Washer 6 Int. Shakeproof	2
20	258255	Breaker - Rocker	1
21	258463	Holder - Paper Roll	1
22	SD-15-30	Self-Tapping Screw 8-32 × 5/16 Phil. Pan Hd., Type TT	2
23	WS-28-6	Washer	2
24	41229	Shaft - Paper	2
25	RR-4-23	Retaining Ring	4
26	258110	Tube - Paper	2
27	41029	Switch - Label Advance (Incls. 1/4-32 Nut)	1
28	SD-33-91	Self-Tapping Screw 6-32 × 5/16 Phil. Pan Hd., Type TT	2
29	255505	Capacitor	1
30	258119	Bracket - Capacitor	1
31	SC-18-29	Mach. Screw 6-32 × 3/8 Phil. Pan Hd	1
32	NS-9-7	Mach. Nut 6-32 Hex	1
33	256532	Cap - Capacitor	1
34	258399	Diagram - Cover Removal	1
35	258107	Bracket - Mounting	1
36	SD-15-30	Self-Tapping Screw 8-32 × 5/16 Phil. Pan Hd., Type TT	2
37	258691	Wire Assy. - Capacitor	1

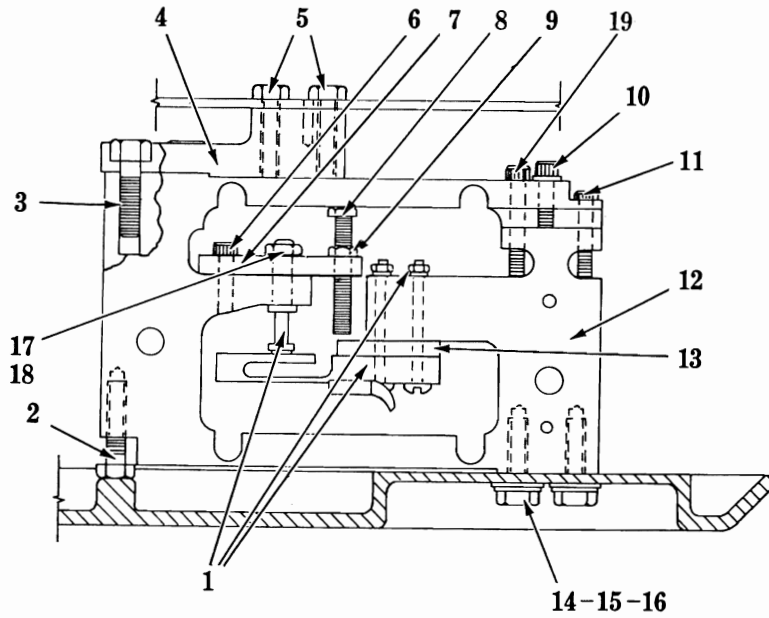


PRINTING UNIT

PL-21072-1

PRINTING UNIT

ILLUS. PL-21072-1	PART NO.	NAME OF PART ³⁶	AMT.
1	258133	Tension Shaft & Roll Pin Assy	1
2	252424	Roll - Tension	2
3	RR-11-28	Ring - Retaining	4
4	258100	Pressure Roll & Shaft Assy	1
5	258101	Drive Roll & Shaft Assy	1
6	RR-10-6	Retaining Ring	1
7	SC-18-29	Mach. Screw 6-32 x 3/8 Phil. Pan Hd	1
8	WL-8-1	Lock Washer 6 Int. Shakeproof	1
9	258517	Bracket - Sensor Mtg	1
10	258367	Screw - Printer Cam	1
11	SC-117-85	Mach. Screw 6-32 x 1/8 Hex Hd	1
12	NS-9-7	Mach. Nut 6-32 Hex	1
13	258187	Guide - Spring	1
14	41033	Spring - Compression	1
15	257645	Thermal Printer Head Assy	1
16	SC-18-68	Mach. Screw 4-40 x 1/4 Phil. Pan Hd	4
17	258266	Cam - Printer Head	1
18	RR-10-6	Retaining Ring	1
19	258129	Right Side Frame Assy	1
20	SC-18-29	Mach. Screw 6-32 x 3/8 Phil. Pan Hd	2
21	WL-8-1	Lock Washer 6 Int. Shakeproof	2
22	258091	Plate - Screw	1
23	SC-117-93	Mach. Screw 5-40 x 5/8 Phil. Pan Hd	2
24	258127	Left Side Frame Assy	1
25	258092	Shaft - Paper Guide	1
26	WL-3-39	Lock Washer 1/4 Light	1
27	NS-17-60	Jam Nut 1/4-28 Hex	1
28	258093	Guide - Paper	1
29	258240	Sensor Harness Assy	1
30	257347	Label - Rating	1
31	41031	Foot - Printer	1
32	SC-18-29	Mach. Screw 6-32 x 3/8 Phil. Pan Hd	1
33	WL-8-1	Lock Washer 6 Int. Shakeproof	1
34	WL-3-9	Lock Washer 6 Medium	1
35	SC-117-94	Mach. Screw 10-32 x 3/8 Phil. Fil. Hd	3
36	258086	Shaft - Peel	1
37	41162	Heatsink - Print Head Assy	1
38	258087	Screw - Peel Shaft	2
39	258209	Nut - Special	2
40	256844	Gear - Spur (44T)	1
41	SC-47-84	Set Screw 6-32 x 1/8 Soc. Hdls., Cup Pt	1
42	256845	Gear - Spur (56T)	1
43	SC-116-35	Set Screw 4-40 x 5/64 Hdls., Cup Pt	1
44	258083	Pulley - Paper Take-up (1" O.D.)	1
45	SC-47-84	Set Screw 6-32 x 1/8 Hdls. Cup Pt	1
46	258125	Motor Assy	1
47	SC-18-29	Mach. Screw 6-32 x 3/8 Phil. Pan Hd	2
48	WL-8-1	Lock Washer 6 Int. Shakeproof	4
49	258055	Standoff - Motor	2
50	258084	Pulley - Paper Take-up (7/8 O.D.)	1
51	SC-47-84	Set Screw 6-32 x 1/8 Hdls., Cup Pt	1
52	259405	Belt "O" Ring	1
53	41038	Hub Assy	1
54	41032	Nut - Special	1
55	258096	Flange & Hub Assy	1
56	258089	Key - Label Roll	1
57	258053	Shaft - Spacer	5
58	SD-15-30	Self-Tapping Screw 8-32 x 5/16 Phil. Pan Hd., Type TT	1
59	258106	Screw - Adjusting	1
60	258142	Spring - Torsion	1
61	NS-9-7	Mach. Nut 6-32 Hex	2
62	SC-92-48	Cap Screw 5-40 x 3/8 Socket Hd	2
63	WL-8-47	Lock Washer 5 Int. Shakeproof	2
64	258105	Frame - Lower Side	1
65	259265	Screw - Dowel	2
66	WL-3-14	Lock Washer 8 Light	2
67	NS-9-3	Mach. Nut 5-40 Hex (Use with item 59)	1
68	WL-8-47	Lock Washer 5 Int. Shakeproof (Use with item 59)	1
	519504	Thermal Joint Compound (2 oz.)	1
	258967	Paper - Listing	AR
	258935	Label - Roll	1

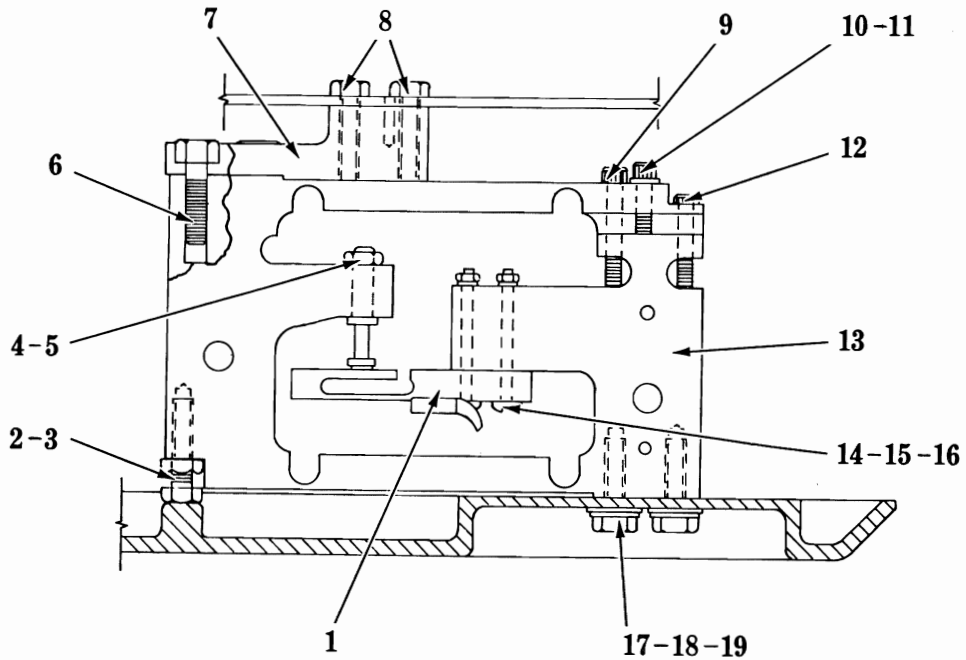


PL-21092-1

**LOAD CELL
(WITH SPACERS)**

ILLUS. PL-21092-1	PART NO.	NAME OF PART ³⁶	AMT.
1	257479	Load Cell Kit (Replaces HBM or Revere)	1
2	SC-37-87	Cap Screw 1/4-20 x 1 Hex Hd	1
3	SC-37-87	Cap Screw 1/4-20 x 1 Hex Hd	2
4	183343	Block Assy	1
5	SC-37-87	Cap Screw 1/4-20 x 1 Hex Hd	2
6	SC-89-2	Cap Screw 1/4-20 x 3/4 Socket Fil. Hd	1
7	*	Block - Limit	1
8	*	Screw - Special	1
9	NS-17-60	Jam Nut 1/4-28 Hex	1
10	SC-112-98	Cap Screw 10-32 x 1 1/4 Socket Fil. Hd	2
11	SC-92-8	Cap Screw 10-32 x 1 1/8 Socket Fil. Hd	1
12	*	Flexure - Load Cell	1
13	252257	Spacer	1
14	SC-37-87	Cap Screw 1/4-20 x 1 Hex Hd	2
15	WL-3-39	Lock Washer 1/4 Light	2
16	WS-3-19	Washer	2
17	NS-13-2	Nut 1/4-20 Hex	1
18	WS-3-19	Washer (Use W/Item 12)	1
19	258628	Screw - Socket Hd	1

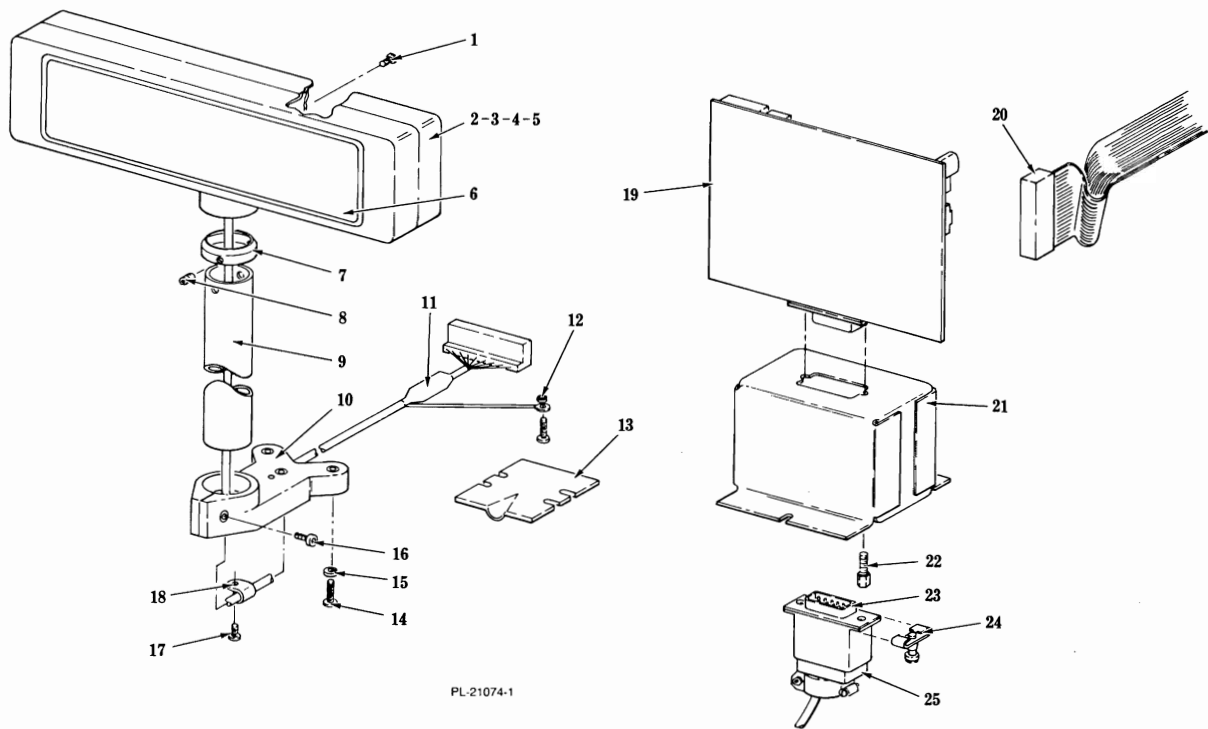
*Not Available. Order 259441 & item 18.



PL-21073-1

LOAD CELL

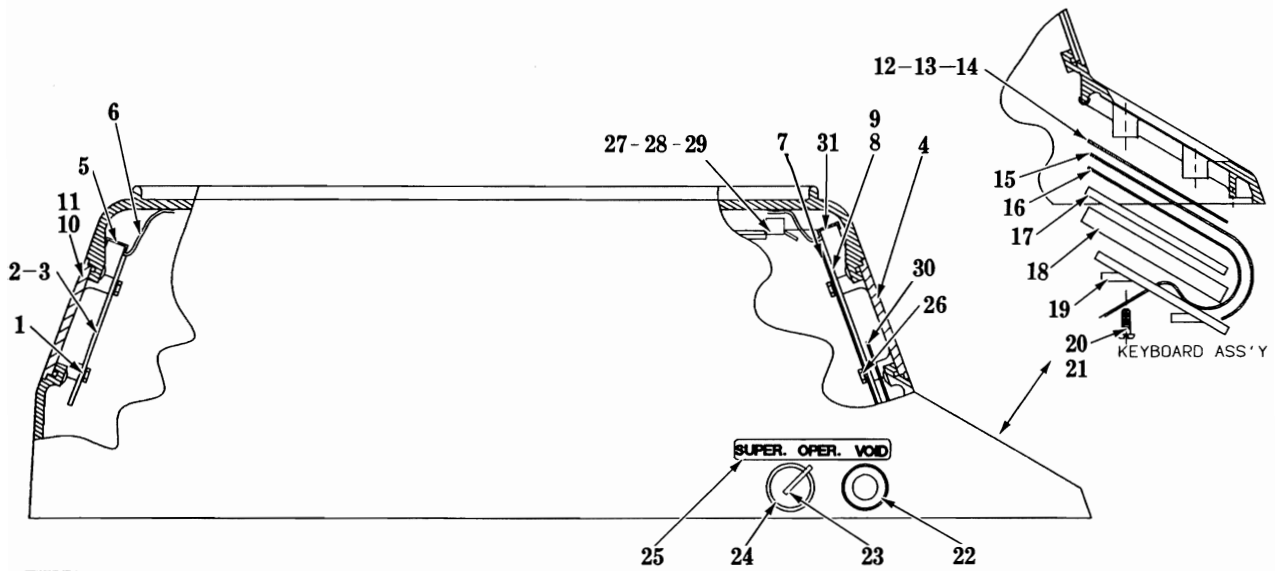
ILLUS.	PART	NAME OF PART ³⁶	AMT.
PL-21073-1	NO.		
1	257479	Load Cell Kit (Replaces HBM or Revere)	1
2	SC-36-13	Cap Screw 1/4-20 x 3/4 Hex Hd	1
3	NS-17-3	Jam Nut 1/4-20 hex	1
4	WS-3-19	Washer	1
5	NS-13-2	Nut 1/4-20 Hex	1
6	SC-36-13	Cap Screw 1/4-20 x 3/4 Hex Hd	2
7	183343	Block Assy	1
8	SC-36-13	Cap Screw 1/4-20 x 3/4 Hex Hd	2
9	258628	Screw - Socket hd	1
10	SC-112-98	Cap Screw 10-32 x 1 1/4 Socket Fil. Hd	2
11	WS-28-18	Washer	2
12	SC-92-8	Cap Screw 10-32 x 1 1/8 Socket Fil. Hd	1
13	259441	Flexure - Load Cell	1
14	SC-18-67	Mach. Screw 8-32 x 1 3/4 Phil. Pan Hd	2
15	WL-3-14	Lock Washer 8 Light	4
16	NS-9-12	Mach. Nut 8-32 Hex	2
17	SC-89-2	Cap Screw 1/4-20 x 3/4 Soc. Hd	2
18	WL-3-39	Lock Washer 1/4 Light	2
19	WS-3-19	Washer	2



KITS

KITS

ILLUS. PL-21074-1	PART NO.	NAME OF PART ³⁵	AMT.
1	SD-33-19	Self-Tapping Screw 4-24 × 3/8 Hex Washer Hd., Type BT	7
2	258350	Housing - Display (With Opening)	1
3	258351	Housing - Display (Without Opening)	1
4	WS-23-48	Washer	8
5	NS-46-20	Special Nut - 5/32 Stud "Palnut"	8
6	255553	Screen - Display	1
7	253676	Ring - Display Lock	1
8	SC-88-70	Set Screw 10-24 × 1/4 Cup Pt	2
9	253679	Column - Display	1
10	253652-2	Base - Column Support	1
11	258297-1	Elevated Display Cable Assy	1
12	WL-7-7	Lock Washer 8 Ext. Shakeproof	1
13	258336	Plate - Cover	1
14	SC-18-37	Mach. Screw 8-32 × 3/4 Phil. Pan Hd	3
15	WL-8-7	Lock Washer 8 Int. Shakeproof	3
16	SC-87-5	Cap Screw 1/4-28 × 5/8 Socket Hd	1
17	SC-18-31	Mach. Screw 8-32 × 3/8 Phil. Pan Hd	1
18	30696	Clamp - Cable	1
19	259719	Interface Board Assy	1
20	259032	Ribbon Cable Assy	1
21	258128	Bracket - Interface	1
22	257128	Screw Lock Assy. (Female)	2
23	257195	Socket - Plug	1
24	257196	Screw Lock Assy. (Male)	2
25	257194	Housing - Plug	1
	255577	Restraint - Display Cable	1
	253723-2	Screen - Blank	1

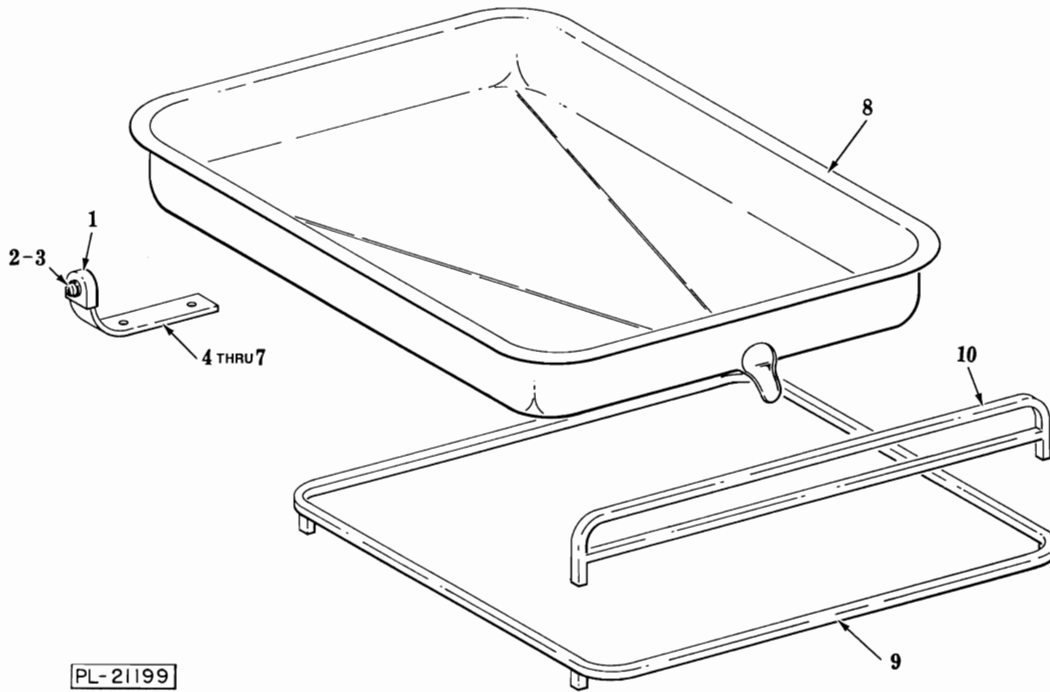


PL-21070-1

KEYBOARD AND DISPLAY

KEYBOARD AND DISPLAY

ILLUS. PL-21070-1	PART NO.	NAME OF PART ³⁶	AMT.
1	SD-33-19	Self-Tapping Screw 4-24 x 3/8 Hex Washer Hd., Type TT	4
2	255544-1	Display Board Assy. (Multiple)	1
3	255544-2	Display Board Assy. (Fractional)	1
4	258550	Screen - Display	1
5	255560	Cover - 26 Pin Connector	1
6	258121	Display Cable Assy	1
7	257466	Shield - Display Board	1
8	255546-1	Display Control Board Assy. (Multiple)	1
9	255546-2	Display Control Board Assy. (Fractional)	1
10	258550	Screen - Display (W/O Elevated Display)	1
11	253723-2	Screen - Blank (W/Elevated Display)	1
12	256605	Cover - Keyboard (Multiple)	1
13	256604	Cover - Keyboard (Fractional)	1
14	535236	Sealer (RTV-162) (10.3 oz.)	1
15	255609	Shield - Keyboard	1
16	253180	Keyboard Switch	1
17	253353	Plate - Keyboard Backing	1
18	252838	Spacer - Keyboard	1
19	255535	Plate - Keyboard	1
20	SD-15-38	Self-Tapping Screw 6-32 x 3/8 Phil. Pan Hd., Type TT	4
21	258522	Support - Cable Scale Housing (For Servicing)	1
22	255255-1	Switch & Connector Assy	1
23	258669	Key - Switch Lock (Supervisor)	1
24	255254-1	Lock Switch & Connector Assy	1
25	258116	Label - Switch	1
26	SD-33-19	Self-Tapping Screw 4-24 x 3/8 Hex Washer Hd., Type BT	4
27	258344	Latch - Spring	1
28	SD-15-39	Self-Tapping Screw 8-32 x 1/4 Phil. Pan Hd. Type TT	2
29	WL-8-7	Lock Washer 8 Int. Shakeproof	2
30	259660	Cover - Display Board	1
31	255560	Cover 26 Pin Connector	1



PLATTER UNIT

ILLUS.	PART NO.	NAME OF PART ³⁶	AMT.
PL-21199			
1	13999-1	Tip - Pan Holder	4
2	SC-19-25	Mach. Screw 6-32 x 5/32 Binding Hd	4
3	2807	Washer (Fiber)	4
4	41062	Arm - Veg. & Fish Pan	4
5	SC-111-31	Mach. Screw 6-32 x 5/16 Truss Hd	8
6	WL-13-5	Lock Washer 6 Int. Shakeproof	8
7	NS-11-7	Nut 6-32 Hex	8
8	176129-4	Fish Pan	1
9	182306	Ring Kit Assy. (1800)	1
10	182307	Rail Kit Assy. (1800)	1
	41138	Scoop - Candy	1
	41139	Kit - Fish Pan (Incls. items 1 thru 8)	1