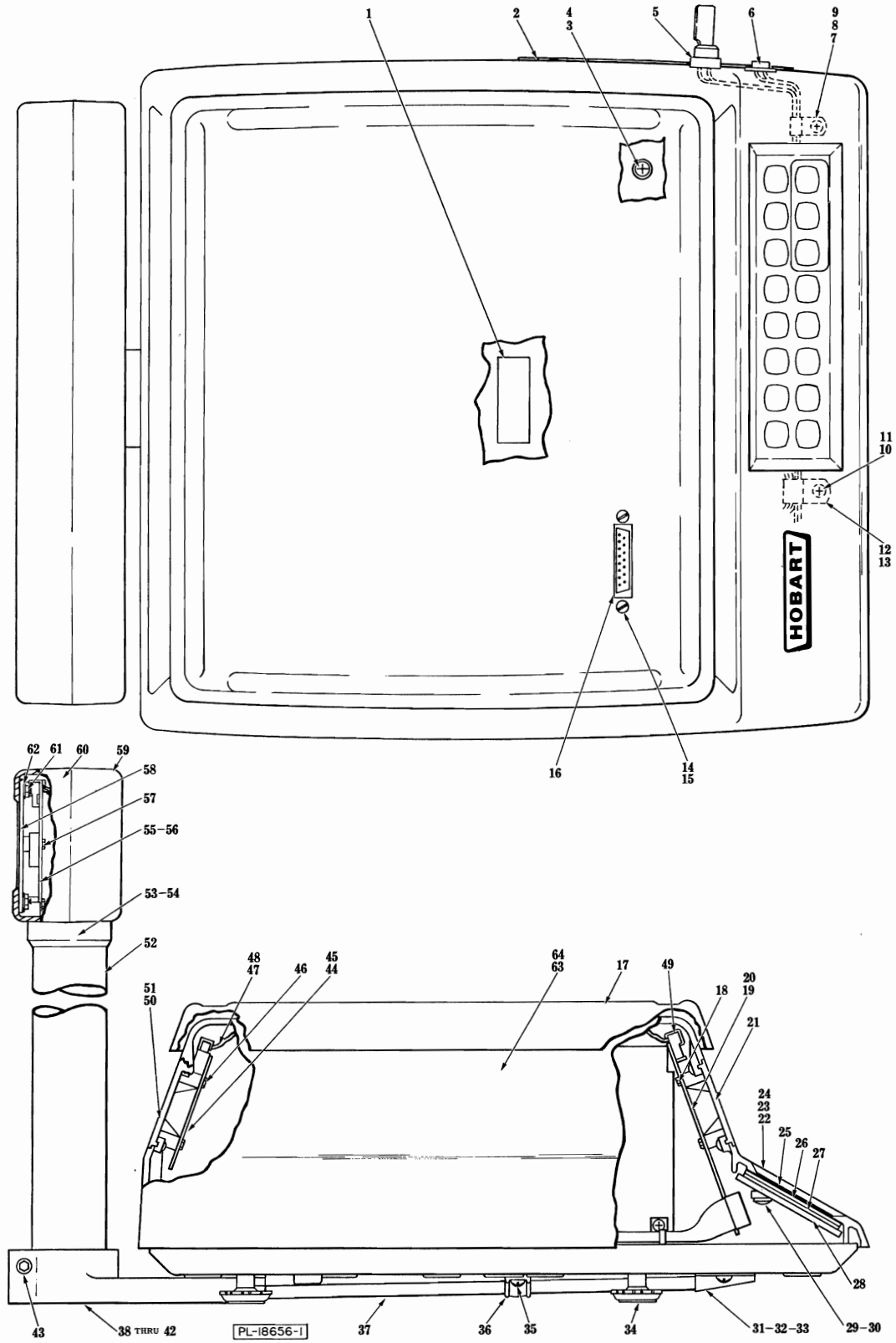




**CATALOG OF
REPLACEMENT PARTS**

**MODEL 1860 SERIES SCALE
MODEL 18VP PRINTER**



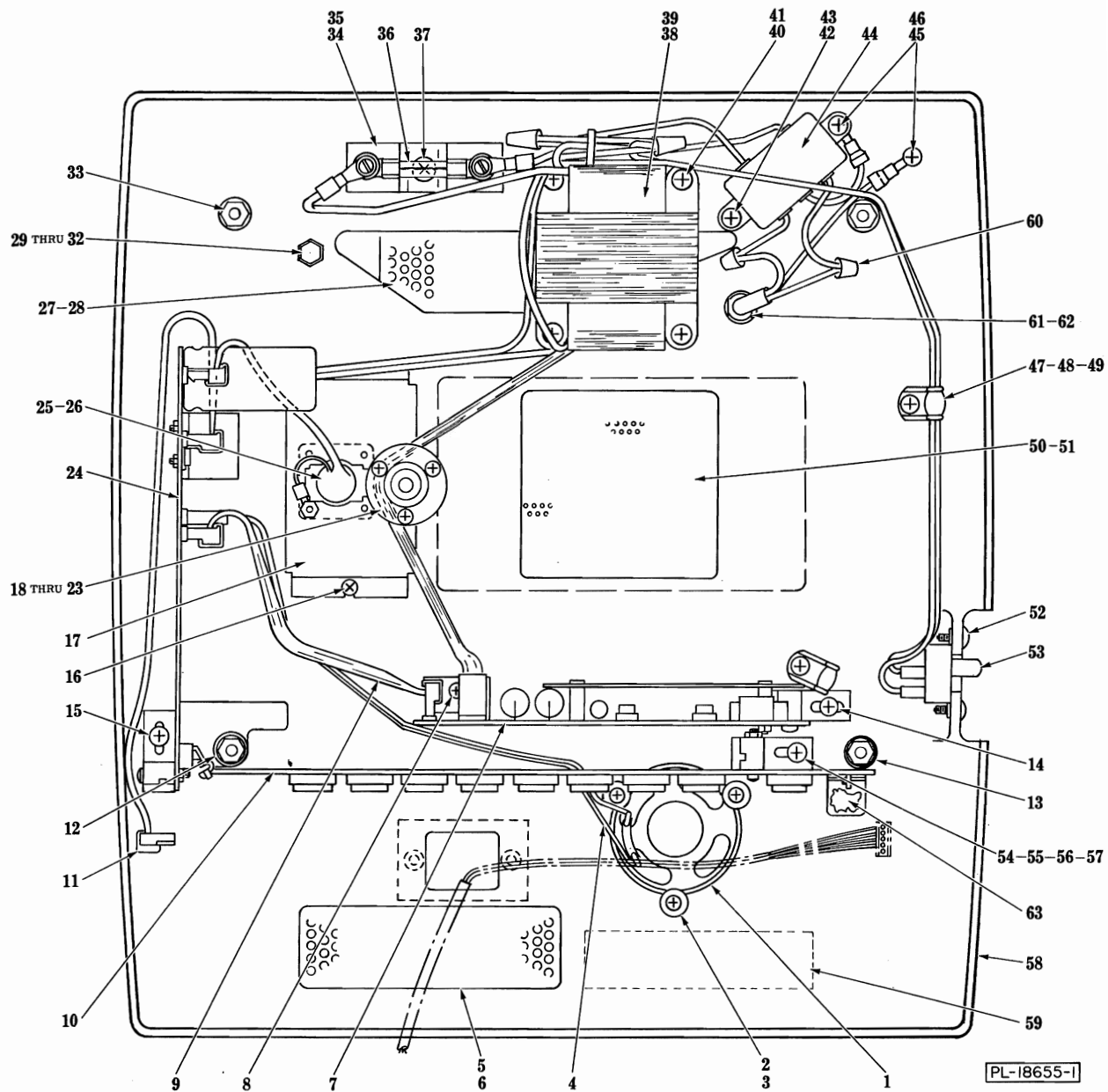
1860 HOUSING, DISPLAY AND KEYBOARD

1860 HOUSING, DISPLAY AND KEYBOARD

ILLUS. PL-18656-1	PART NO.	NAME OF PART	AMT.
1	A-252568	Label - Service	1
2	C-255316	Label - Switch	1
3	SC-18-34	Mach. Screw - #8-32 x 1/2" Phil. Pan Hd	4
4	A-12851	Washer - Fiber	4
5	C-255254-1	Lock Switch & Connector Assy	1
6	C-255255-1	Switch & Connector Assy	1
7	A-31354	Clamp - Harness	1
8	SC-113-37	Mach. Screw - #6-32 x 5/8" Phil. Pan Hd	1
9	WS-28-1	Washer	1
10	SC-113-37	Mach. Screw - #6-32 x 5/8" Phil. Pan Hd	1
11	WS-28-1	Washer	1
*12	A-86967	Clamp - Cable	1
**13	A-31354	Clamp - Harness	1
14	SC-81-72	Mach. Screw - #4-40 x 1/2" Rd. Hd	2
15	NS-9-2	Mach. Nut - #4-40 Hex	2
16	C-255242-1	Harness Assy	1
17	D-182189-2	Platter Assy. (Standard)	1
18	SD-33-19	Self-Tapping Screw - #4-24 x 3/8" Hex Washer Hd., Type BT	4
19	E-255546-2	Display Board Assy. (Fractional)	1
20	E-255546-1	Display Board Assy. (Multiple)	1
21	C-255552	Screen - Display	1
22	C-255246	Cover - Keyboard (Fractional)	1
23	C-255247	Cover - Keyboard (Multiple)	1
24	528460	Sealer	AR
25	D-253180	Keyboard Switch	1
26	A-253353	Plate - Keyboard Backing	1
27	A-252838	Spacer - Keyboard	1
28	C-255535	Plate - Keyboard	1
29	SC-18-29	Mach. Screw - #6-32 x 3/8" Phil. Pan Hd	2
30	WL-8-1	Lock Washer - #6 Int. Shakeproof	2
*31	C-255577	Restraint - Cable	1
**32	A-252231	Plate - Base Cover	1
33	SD-15-40	Self-Tapping Screw - #8-32 x 3/8" Phil. Pan Hd., Type TT	2
34	A-93160	Foot - Leveling	4
*35	SD-15-40	Self-Tapping Screw - #8-32 x 3/8" Phil. Pan Hd., Type TT	1
*36	A-30696	Clamp - Cable	1
*37	D-255579	Harness - Assy	1
*38	D-253652-2	Base - Column	1
*39	WL-8-7	Lock Washer - #8 Int. Shakeproof	3
*40	SC-112-87	Mach. Screw - #8-32 x 7/8" Pan Hd	3
*41	SC-18-31	Mach. Screw - #8-32 x 3/8" Phil. Pan Hd	1
*42	A-22391	Clip - Cable	1
*43	SC-87-5	Cap Screw - 1/4"-20 x 5/8" Soc. Fil. Hd	1
**44	E-255544-1	Display Board Assy. (Multiple)	1
**45	E-255544-2	Display Board Assy. (Fractional)	1
**46	SD-33-19	Self-Tapping Screw - #4-24 x 3/8" Hex Washer Hd., Type BT	4
**47	B-255558	Display Harness Assy	1
**48	B-253369	Tie - Cable	2
49	B-255560	Cover - 26 Pin Connector	2
*50	C-253723-2	Screen - Blank	1
**51	C-255552	Screen - Display	1
*52	C-253679	Column - Display	1
*53	B-253676	Ring - Display	1
*54	SC-88-70	Set Screw - #10-24 x 1/4" Soc. Hdls., Kn. Cup Pt	2
*55	E-255344-1	Display Board Assy. (Multiple)	1
*56	E-255544-2	Display Board Assy. (Fractional)	1
*57	SD-33-19	Self-Tapping Screw - #4-24 x 3/8" Hex Washer Hd., Type BT	6
*58	C-255553	Screen - Elevated Display	1
*59	Z-254323	Housing - Display (W/O Opening)	1
*60	Z-253675	Housing - Display (With Opening)	1
*61	NS-46-20	Special Nut - 5/32" Stud "Palnut"	8
*62	WS-23-48	Washer	8
*63	D-256243	Scale Cover Assy. (Incls. items #1, 2, 21 & 50)	1
**64	D-256242	Scale Cover Assy. (Incls. items #1, 2, 21 & 51)	1

*Elevated Display (1860EDF or 1860EDM).

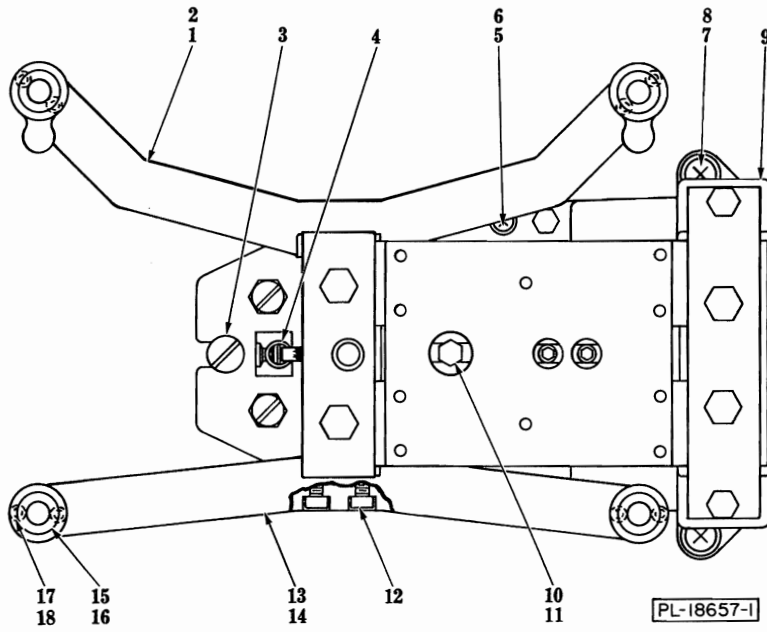
**W/O Elevated Display (1860F or 1860M).



1860 BASE

1860 BASE

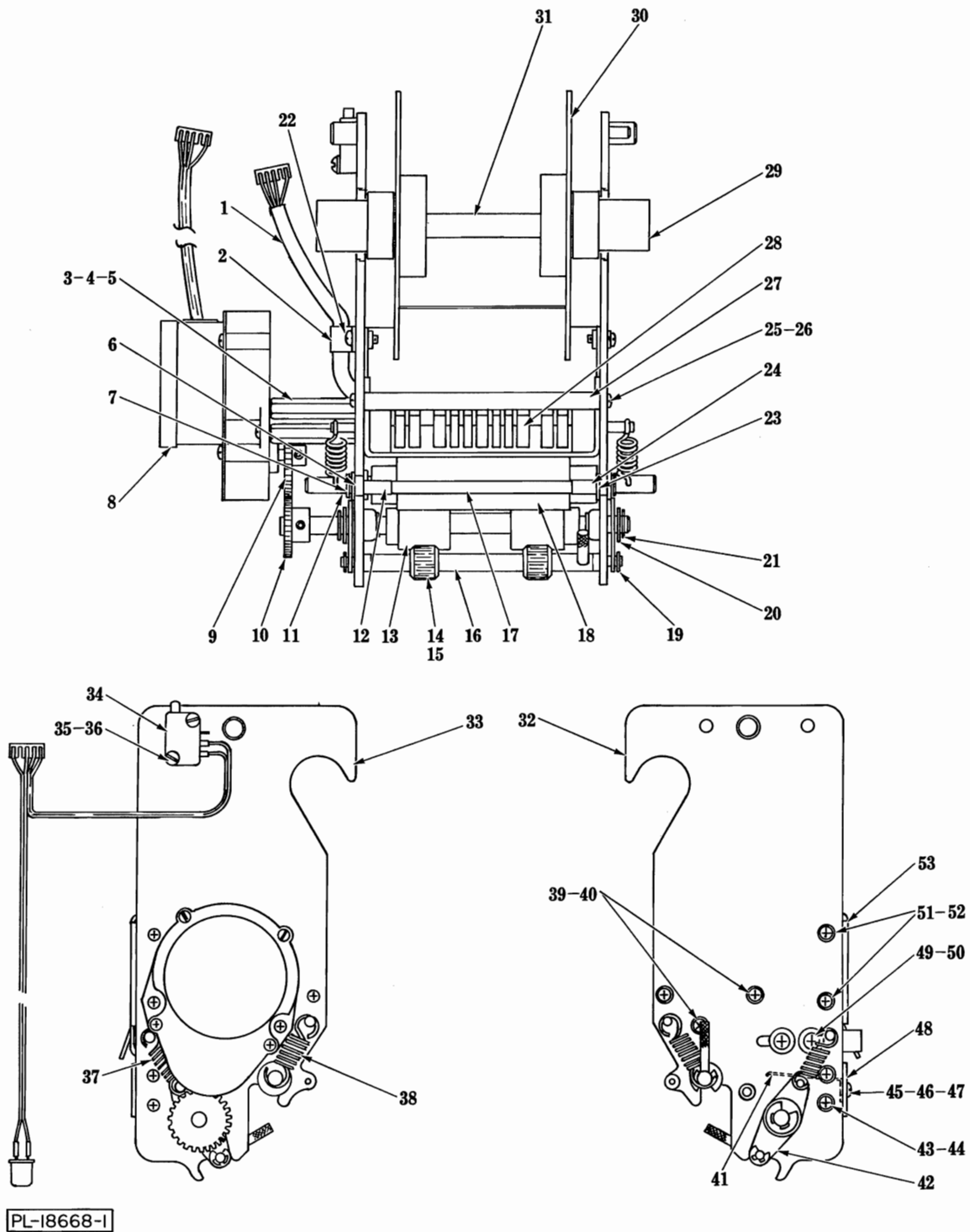
ILLUS. PL-18655-1	PART NO.	NAME OF PART	AMT.
1	A-182212	Speaker & Connector Assy. (Incls. item #4)	1
2	SD-15-37	Self-Tapping Screw - #6-32 x 1/4" Phil. Pan Hd., Type TT	3
3	WS-23-47	Washer	3
4	A-182213	Connector & Lead Wire Assy	1
5	A-251928-2	Screen - Base Vent	1
6	SD-15-37	Self-Tapping Screw - #6-32 x 1/4" Phil. Pan Hd., Type TT	2
7	E-255218	Circuit Board Assy. (A to D)	1
8	SD-15-38	Self-Tapping Screw - #6-32 x 3/8" Phil. Pan Hd., Type TT	2
9	D-255293-1	Cable Assy. (C.P.C. to A-D)	1
10	E-255533	Memory Board Assy. (Incls. item #63)	1
11	D-255295-1	Display Cable Assy	1
12	A-256247	Tubing - Insulation	1
13	A-256247	Tubing - Insulation	1
14	SD-15-40	Self-Tapping Screw - #8-32 x 3/8" Phil. Pan Hd., Type TT	1
15	SD-15-40	Self-Tapping Screw - #8-32 x 3/8" Phil. Pan Hd., Type TT	1
16	SD-33-87	Self-Tapping Screw - #8-32 x 3/4" Phil. Pan Hd., Type TT	2
17	C-255227	Bracket - Connector Mounting	1
18	A-251893	Post - Level Mounting Plate	1
19	A-251892-2	Plate - Level Adjustment	1
20	SC-14-76	Mach. Screw - #10-24 x 3/8" Flat Hd	1
21	A-13964	Plate - Level	1
22	A-182017	Spirit Level Assy	1
23	SC-18-29	Mach. Screw - #6-32 x 3/8" Phil. Pan Hd	3
24	E-255576	Central P.C. Board Assy	1
25	C-255314-1	Internal Communication Harness Assy. (Incls. item #26)	1
26	B-254177	Pin (Retainer)	5
27	A-251928-2	Screen - Base Vent	1
28	SD-15-37	Self-Tapping Screw - #6-32 x 1/4" Phil. Pan Hd., Type TT	2
29	A-252162	Post - Spider Stop	4
30	SC-62-30	Cap Screw - #10-24 x 5/8" Hex Hd	4
31	NS-9-22	Mach. Nut - #10-24 Hex	4
32	WL-7-12	Lock Washer - #10 Ext. Shakeproof	4
33	A-252222	Post - Top Housing Support	4
34	A-22376-1	Holder - Fuse	1
35	A-252264	Label - Fuse	1
36	FE-22-28	Fuse - .5 AMP (Slo-Blo)	1
37	SD-33-20	Self-Tapping Screw - #6-32 x 1/2" Phil. Flat Hd., Type TT	1
38	C-255289	Transformer & Switch Assy. (Incls. items #39 & 53)	1
39	A-253771	Label - Disconnect Caution	1
40	SD-15-40	Self-Tapping Screw - #8-32 x 3/8" Phil. Pan Hd., Type TT	4
41	WL-7-7	Lock Washer - #8 Ext. Shakeproof	4
42	SD-33-87	Self-Tapping Screw - #8-32 x 3/4" Phil. Pan Hd., Type TT	1
43	WL-7-7	Lock Washer - #8 Ext. Shakeproof	1
44	C-255296	Power Line Filter Assy	1
45	SD-15-40	Self-Tapping Screw - #8-32 x 3/8" Phil. Pan Hd., Type TT	2
46	WL-7-7	Lock Washer - #8 Ext. Shakeproof	2
47	A-31354	Clamp - Cable (1/8")	4
48	SD-15-40	Self-Tapping Screw - #8-32 x 3/8" Phil. Pan Hd., Type TT	4
49	WS-19-16	Washer	4
50	B-255284	Screen - Base Vent	1
51	SD-15-37	Self-Tapping Screw - #6-32 x 1/4" Phil. Pan Hd., Type TT	4
52	SC-71-6	Mach. Screw - #6-32 x 7/16" Phil. Truss Hd	2
53	C-255294-1	Power Switch Assy	1
54	SD-15-40	Self-Tapping Screw - #8-32 x 3/8" Phil. Pan Hd., Type TT	1
55	A-251993	Block - P.C. Board	1
56	SC-18-56	Mach. Screw - #4-40 x 3/4" Phil. Pan Hd	1
57	NS-9-2	Mach. Nut - #4-40 Hex	1
58	E-255226	Base	1
59	A-255111	Label - Interference	1
60	FE-6-17	Wire Nut (#71-B Ideal)	AR
61	A-181954	Cord & Plug	1
62	A-251403	Bushing - Strain Relief	1
63	A-252289	Plug - Jumper (Memory Board Battery)	1
	A-31355	Tie - Cable	AR



1860 FLEXURE AND SPIDER

1860 FLEXURE AND SPIDER

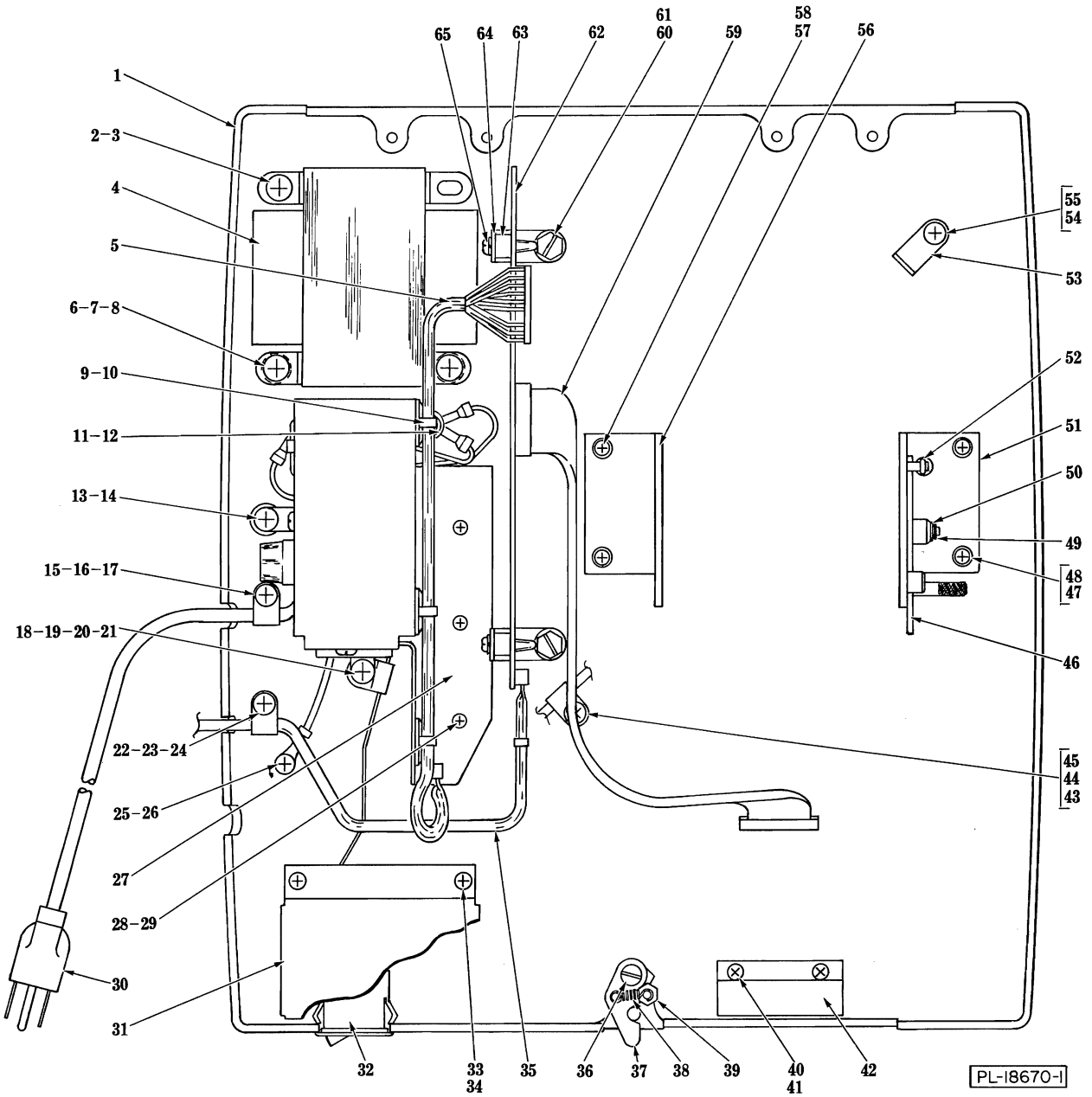
ILLUS. PL-18657-1	PART NO.	NAME OF PART	AMT.
1	B-182202	Rear Spider Assy. (Incls. items #2 & 15 thru 18)	1
2	C-251881-2	Spider - Rear	1
3	A-251890	Screw - Stop	1
4	B-254342	Spring - Overload	1
5	SD-33-72	Self-Tapping Screw - #10-24 x 7/8" Phil. Pan Hd., Type TT	2
6	WL-8-13	Lock Washer - #10 Int. Shakeproof	2
7	SD-33-73	Self-Tapping Screw - 1/4"-20 x 1" Phil. Pan Hd., Type TT	2
8	WL-8-17	Lock Washer - 1/4" Int. Shakeproof	2
9	D-182868	Flexure & Post Assy. (30 lb.) (Incls. item #4)	1
10	A-252304-1	Load Cell Kit - 30 lb. (H.B.M. Inc.)	1
11	A-252304-2	Load Cell Kit - 30 lb. (Revere Corp.)	1
12	SC-110-43	Cap Screw - #10-24 x 1" Soc. Hd.	4
13	B-182203	Front Spider Assy. (Incls. items #14 thru 18)	1
14	B-251867-2	Spider - Front	1
15	A-253028	Block - Platter Latch	4
16	A-253029	Spring - Platter Latch	4
17	SC-110-85	Mach. Screw - #4-40 x 5/8" Soc. Hd.	8
18	WL-7-39	Lock Washer - #4 Ext. Shakeproof	8



18VP PRINTING UNIT

18VP PRINTING UNIT

ILLUS. PL-18668-1	PART NO.	NAME OF PART	AMT.
1	C-255419	Sensor Harness Assy	1
2	A-30695	Clamp - Cable (1/4")	2
3	B-255467	Standoff - Motor	2
4	SC-18-29	Mach. Screw - #6-32 x 3/8" Phil. Pan Hd	2
5	WL-3-9	Lock Washer - #6 Medium	2
6	WS-2-38	Washer	2
7	RR-10-6	Retaining Ring	2
8	C-255422	Motor Assy	1
9	B-255441	Gear - Spur (56T)	1
10	B-255442	Gear - Spur (44T)	1
11	B-255511	Shaft - Pressure Roll	1
12	B-255365	Spacer - Peel Bar	1
13	B-255676	Drive Rollers & Shaft Assy	1
14	A-252424	Roller - Tension	2
15	RR-11-28	Retaining Ring	4
16	C-255416	Tension Shaft Assy. (Incls. items #14 & 15)	1
17	B-255366	Roller - Peel Bar	1
18	B-255674	Pressure Roll & Bearing Assy	1
19	RR-4-23	Retaining Ring	2
20	WS-3-23	Washer	2
21	RR-10-6	Retaining Ring	2
22	SC-18-29	Mach. Screw - #6-32 x 3/8" Phil. Pan Hd	1
23	WL-8-47	Lock Washer - #5 Int. Shakeproof	2
24	B-255364	Peel Roll Assy	1
25	SC-18-29	Mach. Screw - #6-32 x 3/8" Phil. Pan Hd	2
26	WL-3-9	Lock Washer - #6 Medium	2
27	B-255324	Shaft - Spacer	1
28	C-255515	Thermal Printer Head Assy	1
29	B-255663	Spacer - Label Roll	1
30	B-183102	Label Roll Assy	2
31	B-255683	Label Roll Shaft Assy	1
32	C-255337	Right Side Frame Assy	1
33	C-255335	Left Side Frame Assy	1
34	C-255431-1	L.E.D., Printer Safety Switch & Harness Assy	1
35	SC-81-77	Mach. Screw - #2-56 x 3/8" Rd. Hd	2
36	WS-29-23	Washer	2
37	A-252448	Spring - Tension Roller	2
38	B-255518	Spring - Pressure Roller	2
39	SC-18-28	Mach. Screw - #6-32 x 1/4" Phil. Pan Hd	3
40	WL-3-9	Lock Washer - #6 Medium	3
41	C-255486	Guide - Label (Spring)	1
42	B-255323	Tension Pitman Assy	2
43	SC-18-28	Mach. Screw - #6-32 x 1/4" Phil. Pan Hd	4
44	WL-3-9	Lock Washer - #6 Medium	4
45	SC-18-29	Mach. Screw - #6-32 x 3/8" Phil. Pan Hd	2
46	WL-3-9	Lock Washer - #6 Medium	2
47	NS-9-7	Mach. Nut - #6-32 Hex	2
48	B-255319	Front Label Guide	1
49	SC-18-29	Mach. Screw - #6-32 x 3/8" Phil. Pan Hd	2
50	WS-2-34	Washer	2
51	SC-18-28	Mach. Screw - #6-32 x 1/4" Phil. Pan Hd	2
52	WL-3-9	Lock Washer - #6 Medium	2
53	C-255341	Guide - Rear Label	1
	E-255424	Thermal Printer Assy. (Incls. items #1 thru 28 & 32 thru 53)	1

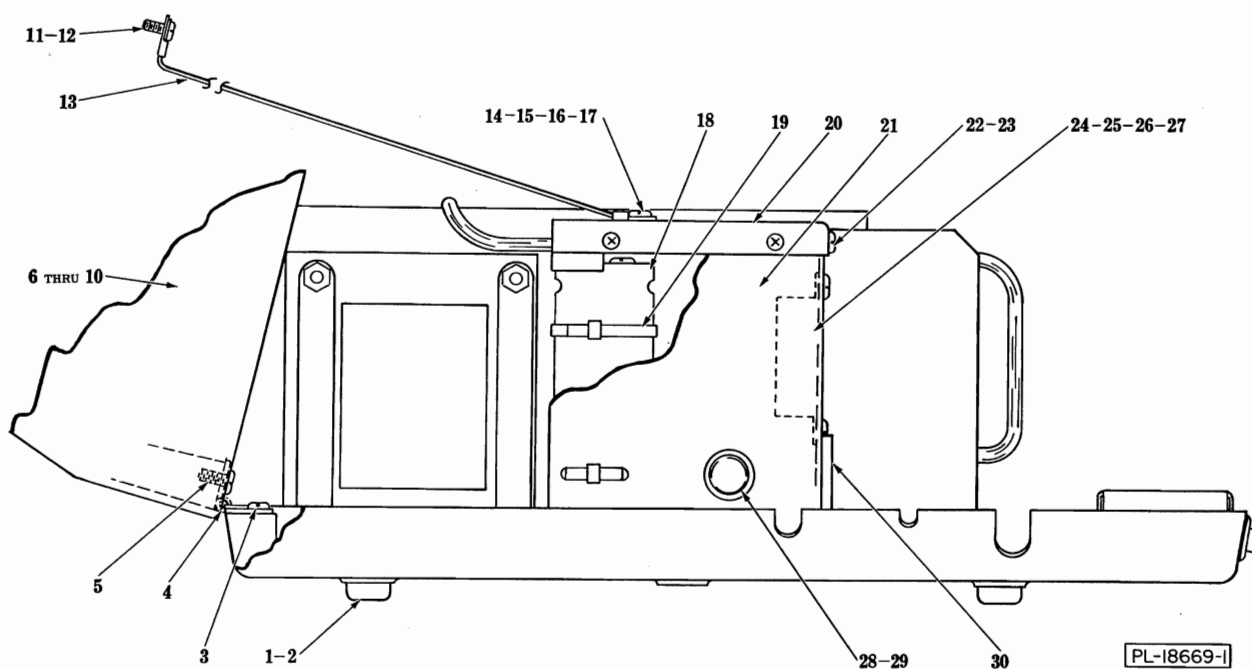


18VP BASE (TOP VIEW)

18VP BASE (TOP VIEW)

ILLUS. PL-18670-1	PART NO.	NAME OF PART	AMT.
1	D-255362	Base	1
2	SD-15-40	Self-Tapping Screw - #8-32 x 3/8" Phil. Pan Hd., Type TT	1
3	WL-7-7	Lock Washer - #8 Ext. Shakeproof	1
4	C-255427	Transformer Assy	1
5	D-255429-1	Power & Motor Control Harness	1
6	B-255491	Spacer - Transformer	2
7	SD-15-42	Self-Tapping Screw - #8-32 x 5/8" Phil. Pan Hd., Type TT	2
8	WL-7-7	Lock Washer - #8 Ext. Shakeproof	2
9	B-255503	Mount - Cable Tie	3
10	A-251199	Tie - Cable	3
11	SD-15-39	Self-Tapping Screw - #8-32 x 1/4" Phil. Pan Hd., Type TT	2
12	WL-7-7	Lock Washer - #8 Ext. Shakeproof	2
13	SD-24-38	Self-Tapping Screw - #10-24 x 3/8" Phil. Pan Hd., Type TT	1
14	WL-7-12	Lock Washer - #10 Ext. Shakeproof	1
15	SD-15-40	Self-Tapping Screw - #8-32 x 3/8" Phil. Pan Hd., Type TT	1
16	A-252534	Clamp - Cable (3/16")	1
17	WL-8-7	Lock Washer - #8 Int. Shakeproof	1
18	A-252534	Clamp - Cable (3/16")	1
19	SD-24-38	Self-Tapping Screw - #10-24 x 3/8" Phil. Pan Hd., Type TT	1
20	WS-2-51	Washer	1
21	WL-7-12	Lock Washer - #10 Ext. Shakeproof	1
22	A-31354	Clip - Cable (1/8")	1
23	SD-15-40	Self-Tapping Screw - #8-32 x 3/8" Phil. Pan Hd., Type TT	1
24	WL-8-7	Lock Washer - #8 Int. Shakeproof	1
25	SD-15-39	Self-Tapping Screw - #8-32 x 1/4" Phil. Pan Hd., Type TT	1
26	WL-7-7	Lock Washer - #8 Ext. Shakeproof	1
27	D-255363	Power Supply Board Assy. (Incls. items FE-14-34 & FE-16-44)	1
28	SD-15-38	Self-Tapping Screw - #6-32 x 3/8" Phil. Pan Hd., Type TT	3
29	WL-3-9	Lock Washer - #6 Medium	3
30	A-181954	Line Cord Assy	1
31	C-255484	Cover - Switch	1
32	A-252468	Switch - Rocker (Power)	1
33	SD-15-37	Self-Tapping Screw - #6-32 x 1/4" Phil. Pan Hd., Type TT	2
34	WL-3-9	Lock Washer - #6 Medium	2
35	C-255530	Communication Harness Assy. (Printer to Scale)	1
36	A-252379	Screw - Shoulder	1
37	A-182266	Cover Latch Assy	1
38	A-252447	Spring - Latch	1
39	A-252381	Stud - Latch Stop	1
40	SD-15-39	Self-Tapping Screw - #8-32 x 1/4" Phil. Pan Hd., Type TT	2
41	WL-8-7	Lock Washer - #8 Int. Shakeproof	2
42	B-255370	Guide - Backing Paper	1
43	A-252534	Clamp - Cable (3/16")	1
44	SD-15-40	Self-Tapping Screw - #8-32 x 3/8" Phil. Pan Hd., Type TT	1
45	WL-8-7	Lock Washer - #8 Int. Shakeproof	1
46	B-255358	Latch Assy	1
47	SD-15-40	Self-Tapping Screw - #8-32 x 3/8" Phil. Pan Hd., Type TT	2
48	WL-8-7	Lock Washer - #8 Int. Shakeproof	2
49	RR-11-33	Retaining Ring	1
50	WS-19-16	Washer	1
51	B-255360	R.H. Bracket Assy. (Printer Pivot)	1
52	B-255361	Spring - Pivot Latch	1
53	B-255512	Bracket - Paper Roll	1
54	SD-15-40	Self-Tapping Screw - #8-32 x 3/8" Phil. Pan Hd., Type TT	1
55	WL-8-7	Lock Washer - #8 Int. Shakeproof	1
56	C-255372	Bracket - L.H. Printer Pivot	1
57	SD-15-40	Self-Tapping Screw - #8-32 x 3/8" Phil. Pan Hd., Type TT	2
58	WL-8-7	Lock Washer - #8 Int. Shakeproof	2
59	B-255430	Ribbon Cable Assy	1
60	SD-15-7	Self-Tapping Screw - 1/4"-20 x 1/2" Indent Hex Washer Hd., Type TT	2
61	WL-6-17	Lock Washer - 1/4" Medium	2
62	E-255385	Logic Board Assy	1
63	B-255527	Support - P.C. Board	4
64	B-255411	Bracket - Logic Board	2
65	SD-12-30	Self-Tapping Screw - #6-32 x 5/16" Phil. Pan Hd., Type T	4
	B-255568	Label (Roll Threading)	1
	A-251199	Tie - Cable	AR
	FE-6-17	Wire Nut - Ideal #71B	3
	FE-6-18	Wire Nut - Ideal #73B	2
	FE-14-34	Fuse - 4 Amp. (Use with item #27)	1
	FE-16-44	Fuse - 1/2 Amp. (Use with item #27)	1

1860/18VP REPLACEMENT PARTS



18VP BASE (SIDE VIEW)

ILLUS. NO.	PART NO.	NAME OF PART	AMT.
1	A-178667	Foot - Rubber	4
2	SC-18-31	Mach. Screw - #8-32 x 3/8" Phil. Pan Hd	4
3	SC-18-31	Mach. Screw - #8-32 x 3/8" Phil. Pan Hd	4
4	41145	Hinge - Cover	1
5	SC-18-30	Mach. Screw - #8-32 x 1/4" Phil. Pan Hd	3
6	D-182322	Cover & Hinge Assy. (Incls. items #4 & 5)	1
7	A-252378	Stud - Latch	1
8	NS-9-12	Mach Nut - #8-32 Hex	1
9	B-252449	Standoff - Label	1
10	NS-46-13	Special Nut - 1/4" Stud "Palnut" (Label Standoff to Cover)	3
11	SC-18-31	Mach. Screw - #8-32 x 3/8" Phil. Pan Hd	1
12	WL-8-7	Lock Washer - #8 Int. Shakeproof	1
13	A-252521	Wire Rope Assy	1
14	SC-18-31	Mach. Screw - #8-32 x 3/8" Phil. Pan Hd	1
15	WL-8-7	Lock Washer - #8 Int. Shakeproof	1
16	WS-19-16	Washer	1
17	NS-9-12	Mach. Nut - #8-32 Hex	1
18	C-255505	Capacitor	1
19	B-255502	Tie - Cable (Capacitor to Bracket)	2
20	C-255436	Bracket - Power Supply (Top)	1
21	D-255487	Bracket - Power Supply (Side)	1
22	SD-15-37	Self-Tapping Screw - #6-32 x 1/4" Phil. Pan Hd., Type TT	3
23	WL-3-9	Lock Washer - #6 Medium	3
24	B-255489	Corcom Filter Assy	1
25	SC-18-77	Mach. Screw - #6-32 x 5/16" Phil. Pan Hd	2
26	WL-3-9	Lock Washer - #6 Medium	2
27	NS-9-7	Mach. Nut - #6-32 Hex	2
28	A-30991	Holder - Fuse	1
29	FE-14-19	Fuse (1-1/2 Amps.)	1
30	B-255490	Outlet	1
	B-254206	Bumper (5000D)	1