



CATALOG OF REPLACEMENT PARTS



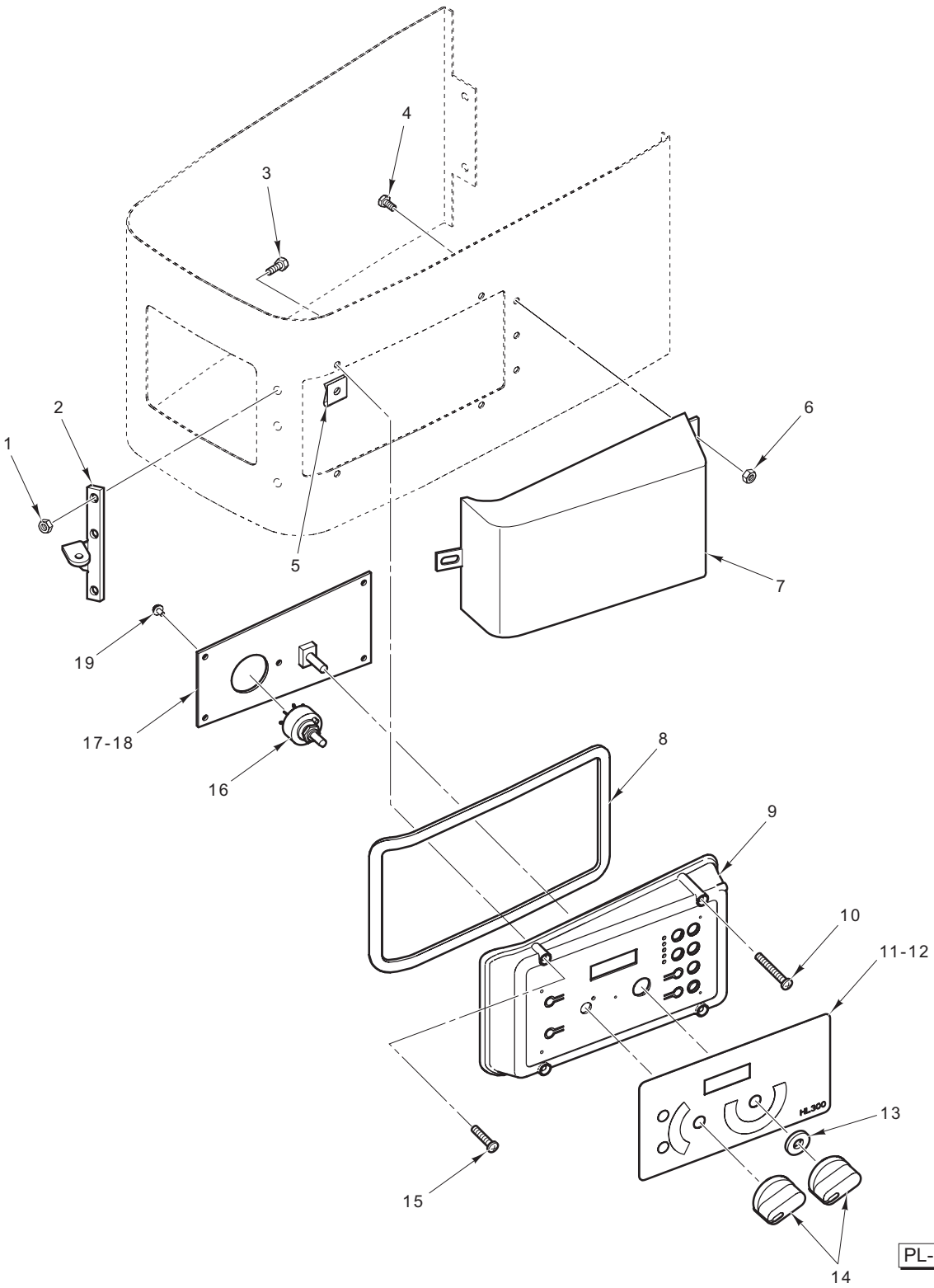
HL300 LEGACY MIXER

HL300
HL300C

ML-134351
ML-134358

Table Of Contents

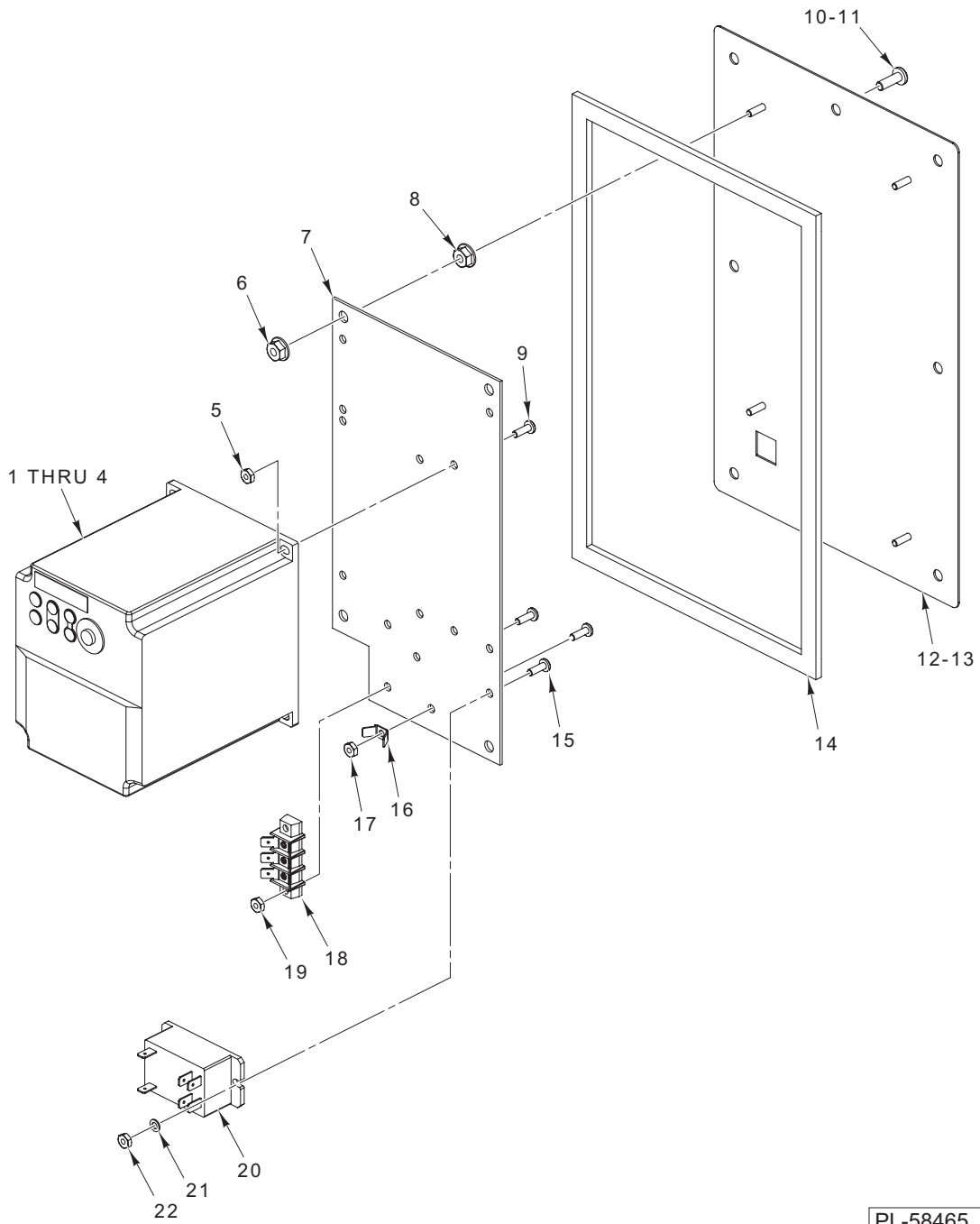
5	CONTROL PANEL
7	ELECTRICAL COMPONENTS
9	BASE AND PEDESTAL
10	ATTACHMENT HUB
11	TRANSMISSION CASE AND MOTOR
13	TRANSMISSION
15	PLANETARY
17	BOWL AND BOWL GUARD
19	BOWL SUPPORT
20	AGITATORS AND ACCESSORIES



CONTROL PANEL

CONTROL PANEL

ILLUS.	PART NO.	NAME OF PART	AMT.
PL-58432			
1	NS-038-13	Lock Nut 10-24 (ML-134358).....	3
2	00-916759	Latch (ML-134358)	1
3	SC-128-69	Mach. Screw 10-24 x 3/8 Tx. Button Hd. (ML-134358)	3
4	SC-128-69	Mach. Screw 10-24 x 3/8 Tx. Button Hd. (ML-134358)	3
5	00-874338	Fastener – Self Retaining	4
6	NS-038-13	Lock Nut 10-24 (ML-134358).....	3
7	00-916760	Cover – Security (ML-134358).....	1
8	00-916613	Seal – Control Panel.....	1
9	00-916621	Panel – Control	1
10	SC-128-40	Mach. Screw 8-32 x 2 1/4 Phil. Oval Hd. (SST)	2
11	00-916765	Overlay – Standard.....	1
12	00-916766	Overlay – Recipe	1
13	WS-031-55	Washer.....	1
14	00-874809	Knob	2
15	SC-128-39	Mach. Screw 8-32 x 1 1/2 Phil. Oval Hd. (SST).....	2
16	00-874831	Switch – Speed Selector Assembly	1
17	00-874883	PCB Assembly (Standard)	1
18	00-874806	PCB Assy. (Recipe Timer).....	1
19	SD-039-23	Self-Tapping Screw 6-32 x 1/4 Hex Hd. Type RL	5
	00-916566-00001	Harness – Switch.....	1

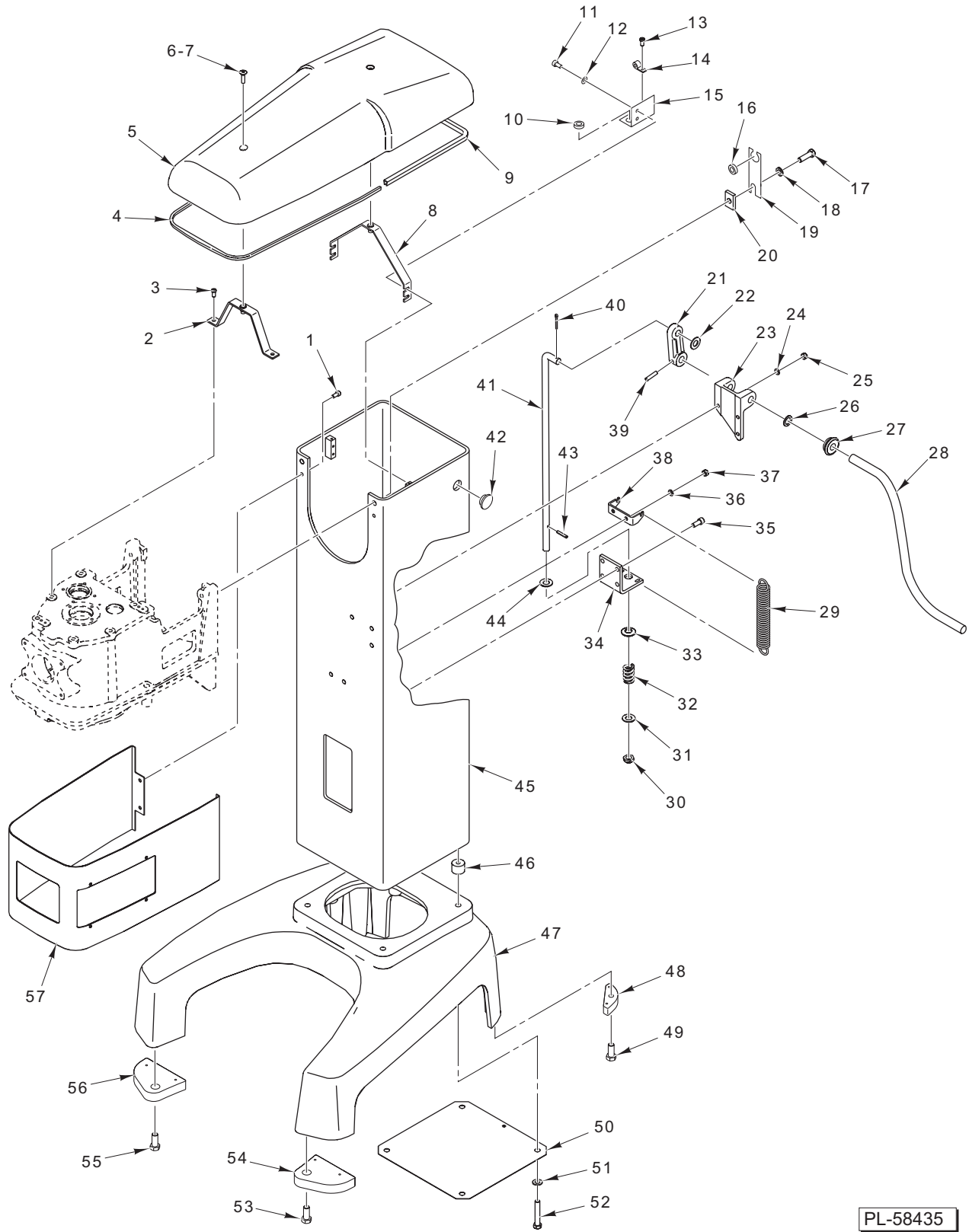


PL-58465

ELECTRICAL COMPONENTS

ELECTRICAL COMPONENTS

ILLUS.	PART NO.	NAME OF PART	AMT.
PL-58465			
1	00-916761	Controller (100/120 V., 50/60 Hz., 1 Ph.).....	1
2	00-916762	Controller (200/230 V., 50/60 Hz., 1 Ph.).....	1
3	00-916763	Controller (200/230 V., 50/60 Hz., 3 Ph.).....	1
4	00-916764	Controller (380/480 V., 50/60 Hz., 3 Ph.).....	1
5	WS-023-48	Washer.....	4
6	NS-038-04	Lock Nut 1/4-20.....	4
7	00-916871	Plate – Controller Mounting.....	1
8	NS-038-04	Lock Nut 1/4-20.....	4
9	SC-018-34	Mach. Screw 8-32 x 1/2 Phil. Pan Hd.....	4
10	SC-053-46	Mach. Screw 1/4-20 x 3/4 Slotted Truss Hd. (SST) (ML-134351).....	7
11	SC-128-74	Mach. Screw 1/4-20 x 5/8 Tx. Button Hd. (SST) (ML-134358).....	7
12	00-916772-00001	Cover – Back & Studs (100/120 V. & 200/230 V., 1 Ph.).....	1
13	00-916772-00002	Cover – Back & Studs (200/230 V. & 380/480 V., 3 Ph.).....	1
14	00-557188	Foam – Tape.....	AR
15	SC-018-34	Mach. Screw 8-32 x 1/2 Phil. Pan Hd.....	5
16	00-065890-00090	Terminal.....	1
17	NS-009-12	Nut 8-32 Hex.....	1
18	00-916269	Block – Terminal.....	1
19	NS-009-12	Nut 8-32 Hex.....	2
20	00-087714-042-5	Relay (2-Pole, 30 Amp.).....	1
21	WS-023-48	Washer.....	2
22	NS-009-12	Nut 8-32 Hex.....	2
	00-874833-00001	Cord & Plug Assy. (Standard).....	1
	00-874833-00002	Cord & Plug Assy. (Recipe Timer).....	1
	FE-026-34	Strain Relief – Electrical.....	1
	00-916649	Harness – Main Wiring.....	1

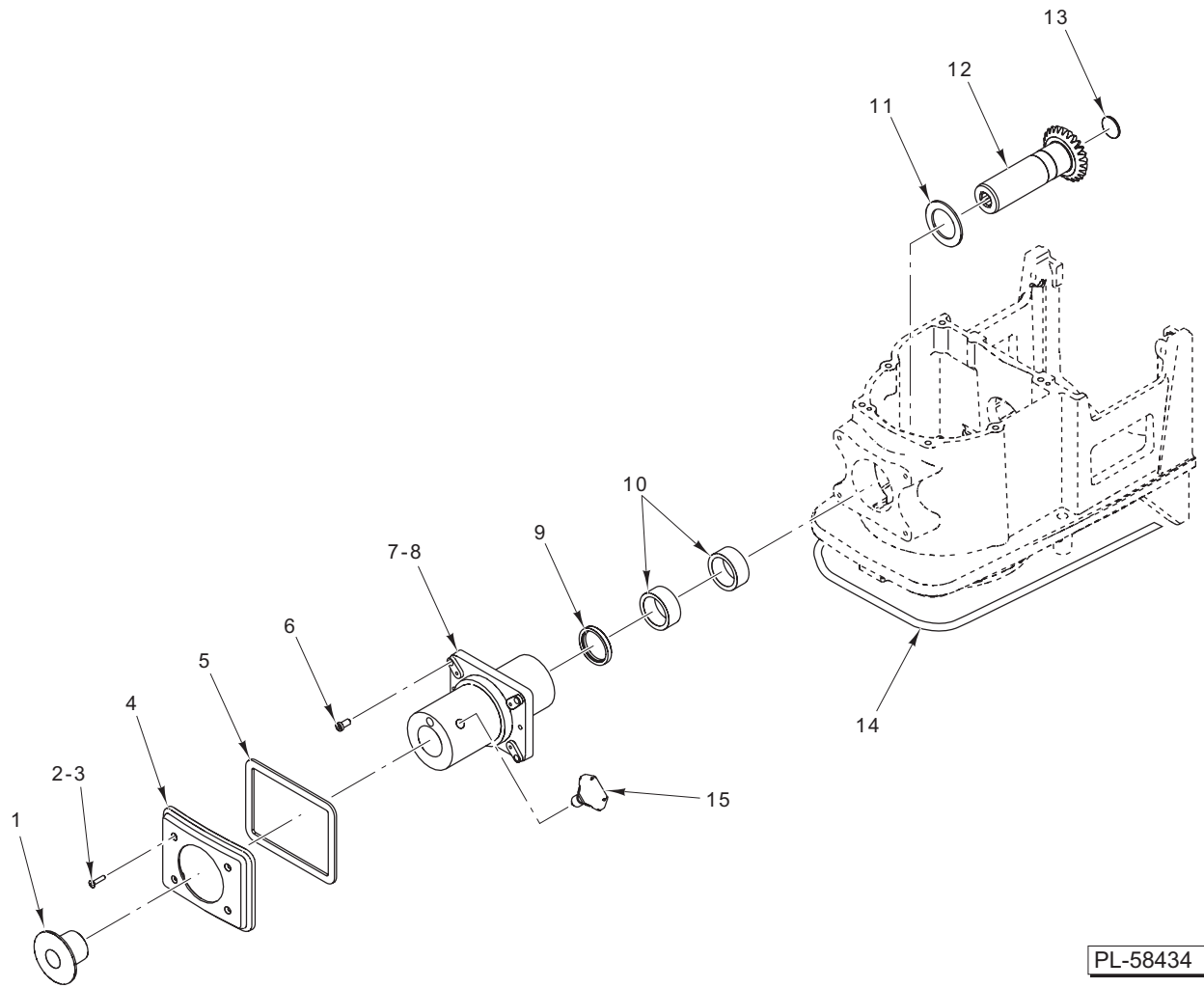


PL-58435

BASE AND PEDESTAL

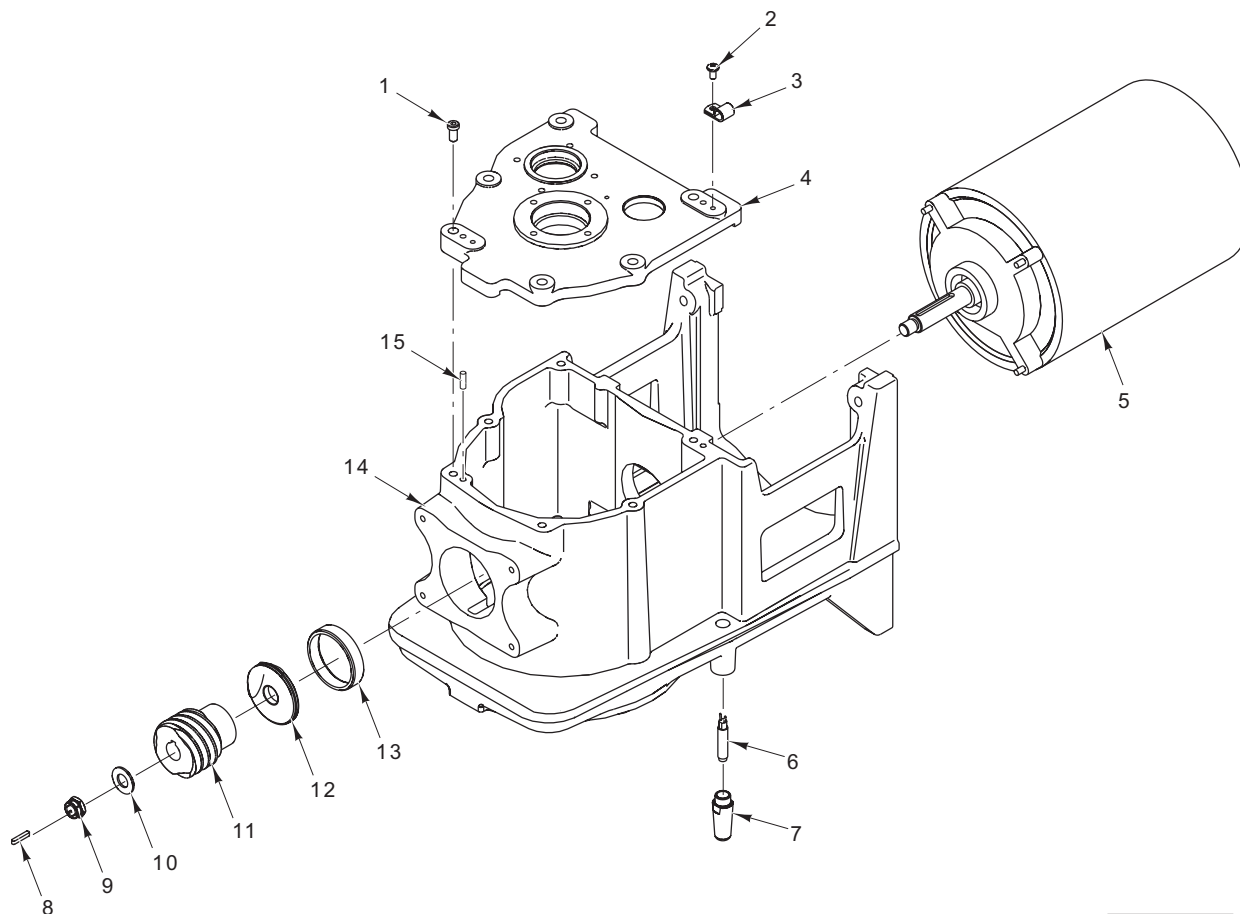
BASE AND PEDESTAL

ILLUS.	PART NO.	NAME OF PART	AMT.
	PL-58435		
1	SC-089-01	Cap Screw 1/4-20 x 1/2 Hex Socket Hd.....	2
2	00-916452	Strap – Front Cover Mounting	1
3	SC-089-19	Cap Screw 5/16-18 x 1 3/8 Hex Socket Hd.	2
4	00-874512-00003	Seal – Top Cover	1
5	00-916440	Cover – Top.....	1
6	SC-120-29	Mach. Screw 1/4-20 x 1 Phil. Oval Hd. (ML-134351)	2
7	SC-128-64	Mach. Screw 1/4-20 x 1 Tx. Flat Hd. (SST) (ML-134358)	2
8	00-916454	Strap – Rear Cover Mounting	1
9	00-916535-00001	Seal – Top Cover	1
10	FE-021-13	Bushing – Split Electric.....	1
11	SC-089-01	Cap Screw 1/4-20 x 1/2 Hex Socket Hd.....	4
12	WS-003-19	Washer.....	4
13	SD-019-23	Self-Tapping Screw 10-16 x 3/8 Phil. Pan Hd., Type B	1
14	00-078758-00009	Clamp – Cable	1
15	00-916813	Plate – Electric Connection.....	1
16	FE-021-13	Bushing – Split Electric	1
17	SC-118-09	Cap Screw 3/8-16 x 1 1/4 Hex Hd.	6
18	WL-004-06	Lockwasher 3/8 Helical.....	6
19	00-916815	Plate – Wire Routing.....	1
20	00-271340	Bar – Reinforcing	6
21	00-916467	Arm – Bowl Lift.....	1
22	WS-008-47	Washer.....	1
23	00-916442	Block – Bowl Lift Bearing	1
24	WL-003-38	Lockwasher 1/4 Helical	3
25	NS-013-02	Nut 1/4-20 Hex	3
26	WS-020-01	Washer (SST).....	1
27	00-271343	Grommet – Handle	1
28	00-916482	Handle – Bowl Lift.....	1
29	00-916463	Spring – Bowl Lift.....	2
30	NS-031-39	Stop Nut 1/2-20	1
31	WS-008-47	Washer.....	1
32	00-070104	Spring – Bowl Lift.....	1
33	00-070131	Washer – Cup Bowl Lift	1
34	00-916469	Bracket – Bowl Lift Support	1
35	SC-040-14	Cap Screw 5/16-18 x 3/4 Hex Socket Hd.	4
36	WL-003-38	Lockwasher 1/4 Helical.....	2
37	NS-013-02	Nut 1/4-20 Hex	2
38	00-916449	Hook – Bowl Lift Spring	1
39	RP-002-26	Pin – Roll	1
40	PC-006-13	Cotter Pin.....	1
41	00-916468	Rod – Bowl Lift.....	1
42	PB-005-30	Plug – Button	1
43	RP-002-10	Pin – Roll	1
44	WS-008-47	Washer.....	1
45	00-916364-00004	Column	1
46	00-916508	Lug – Threaded Column	4
47	00-916213-00004	Base.....	1
48	00-916309	Pad – Rear.....	2
49	SC-110-36	Cap Screw 3/8-16 x 1 Hex Hd.	2
50	00-916987	Cover – Bottom.....	1
51	WS-018-24	Washer.....	4
52	SC-097-53	Cap Screw 3/8-16 x 2 1/4 Hex Hd.....	4
53	SC-110-36	Cap Screw 3/8-16 x 1 Hex Hd.	1
54	00-916308	Pad – Front (RH)	1
55	SC-110-36	Cap Screw 3/8-16 x 1 Hex Hd.	1
56	00-916307	Pad – Front (LH)	1
57	00-916387	Wrapper – Transmission.....	1
	00-916546	Kit – Corroision Protection Pad.....	1
	00-916353	Kit – Foot Pad (Incls. Items 48, 49, & 53 thru 56).....	1



ATTACHMENT HUB

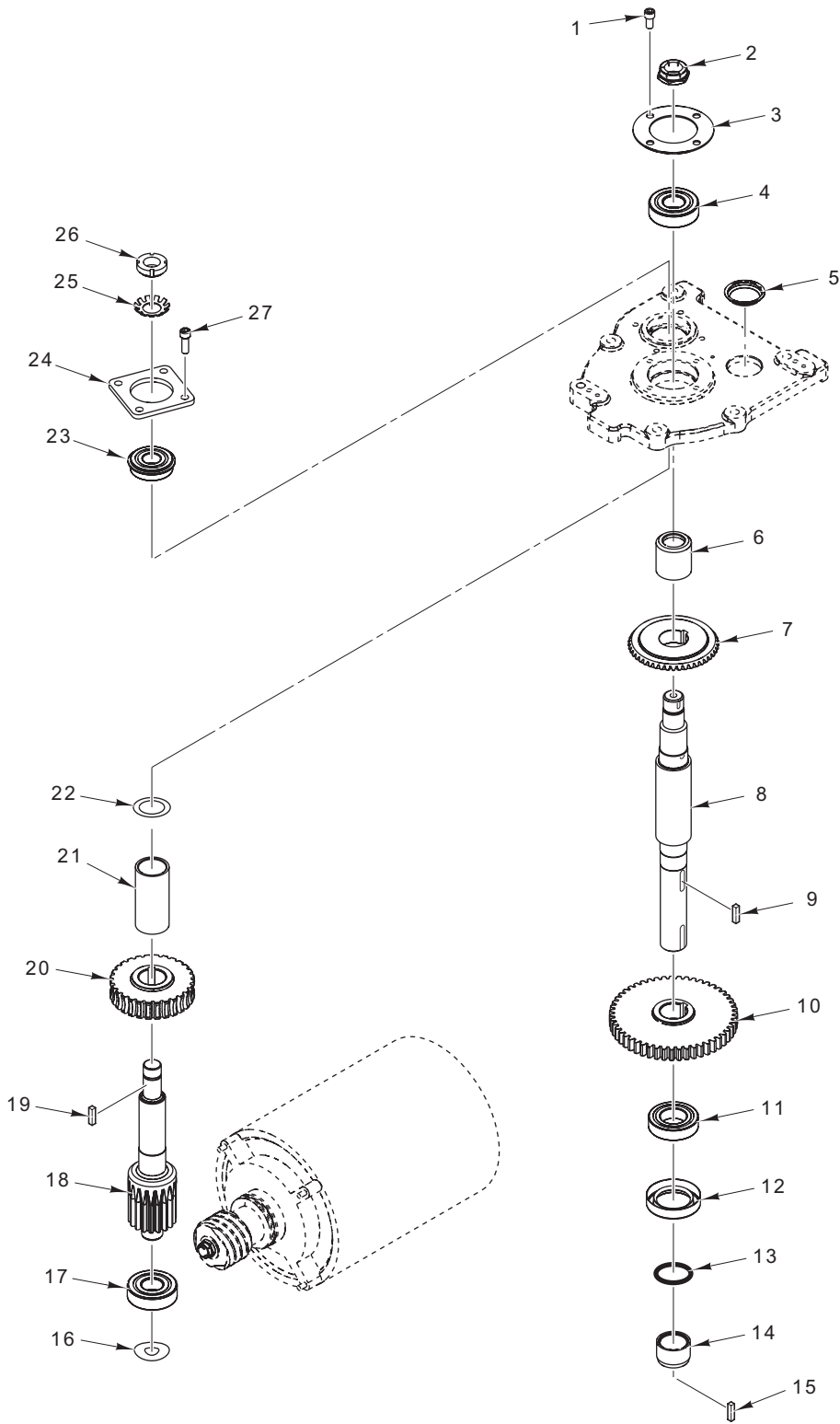
ILLUS.	PART NO.	NAME OF PART	AMT.
PL-58434			
1	00-114824-00001	Plug – Attachment.....	1
2	SC-079-04	Mach. Screw 8-32 x 3/4 Phil. Oval Hd. (SST) (ML-134351).....	4
3	SC-128-65	Mach. Screw 8-32 x 3/4 Tx. Flat Hd. (SST) (ML-134358).....	4
4	00-873973-00002	Panel – Front.....	1
5	00-875813	Seal – Front Cover.....	1
6	SC-040-09	Cap Screw 1/4-20 x 1 1/4 Hex Socket Hd.....	4
7	00-916662-00002	Hub – Attachment.....	1
8	OR-001-09	O-Ring.....	1
9	00-916733	Seal – Attachment Hub.....	1
10	BN-005-11	Bearing – Needle.....	2
11	00-061920-00009	Washer.....	1
12	00-916601-00002	Gear – Drive Attachment (Incls. Item 13).....	1
13	PL-003-17	Plug – Expansion.....	1
14	00-874925-00005	Seal – Neoprene.....	1
15	00-108197-00001	Screw – Thumb.....	1



PL-58437

TRANSMISSION CASE AND MOTOR

ILLUS.	PART NO.	NAME OF PART	AMT.
PL-58437			
1	SC-040-15	Cap Screw $\frac{5}{16}$ X 18 X $\frac{1}{4}$ Hex Socket Hd.	6
2	SC-018-62	Mach. Screw 10-24 X $\frac{3}{8}$ Phil. Pan Hd.	1
3	00-078752-00003	Clamp – Cable	1
4	00-916324	Cover – Top.....	1
5	00-916446	Motor.....	1
6	00-087711-00352	Switch – Reed.....	1
7	00-916533	Holder – Reed Switch.....	1
8	00-012430-00069	Key $\frac{3}{16}$ X $\frac{3}{16}$ X $1\frac{39}{64}$	1
9	NS-032-23	Lock Nut $\frac{7}{16}$ -20 Special	1
10	WS-021-08	Washer.....	1
11	00-916338	Worm – Motor	1
12	00-916388	Deflector – Grease (LH).....	1
13	00-916445	Bushing – Motor.....	1
14	00-916326-00003	Transmission.....	1
15	00-011800-00187	Dowel.....	2

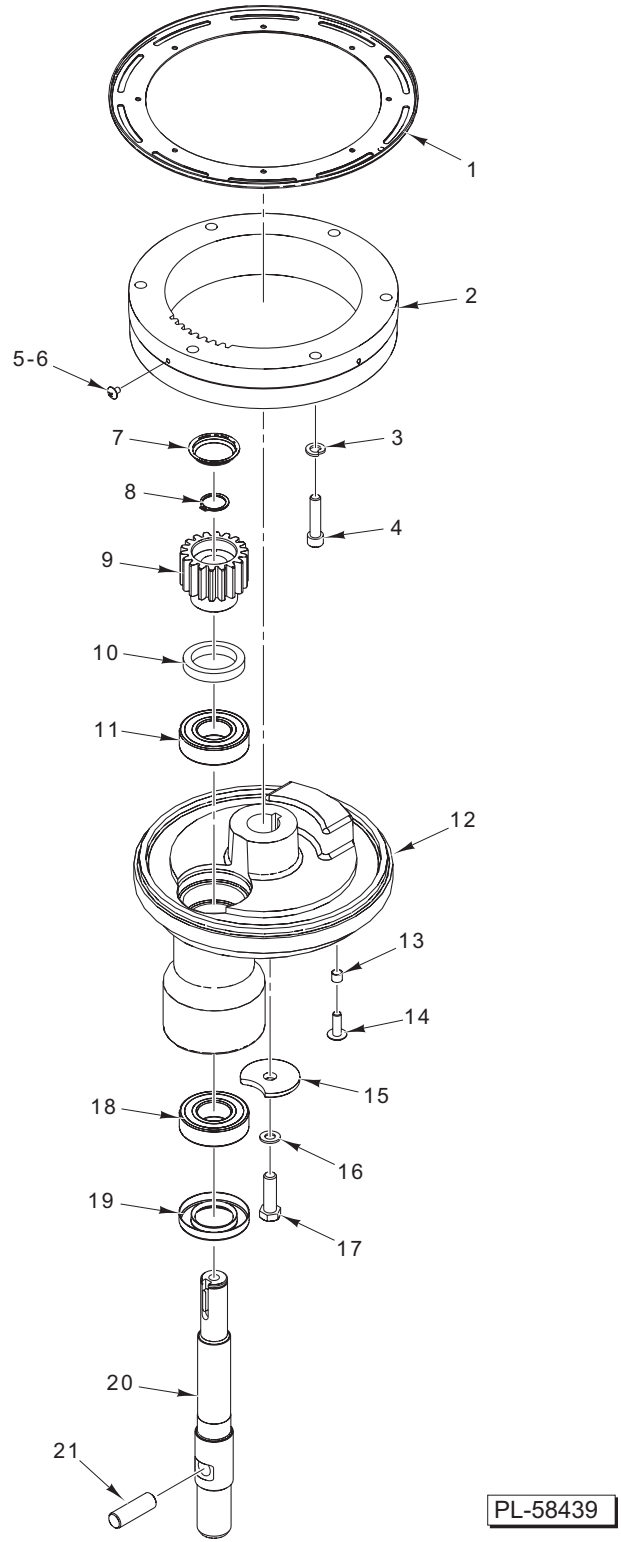


PL-58438

TRANSMISSION

TRANSMISSION

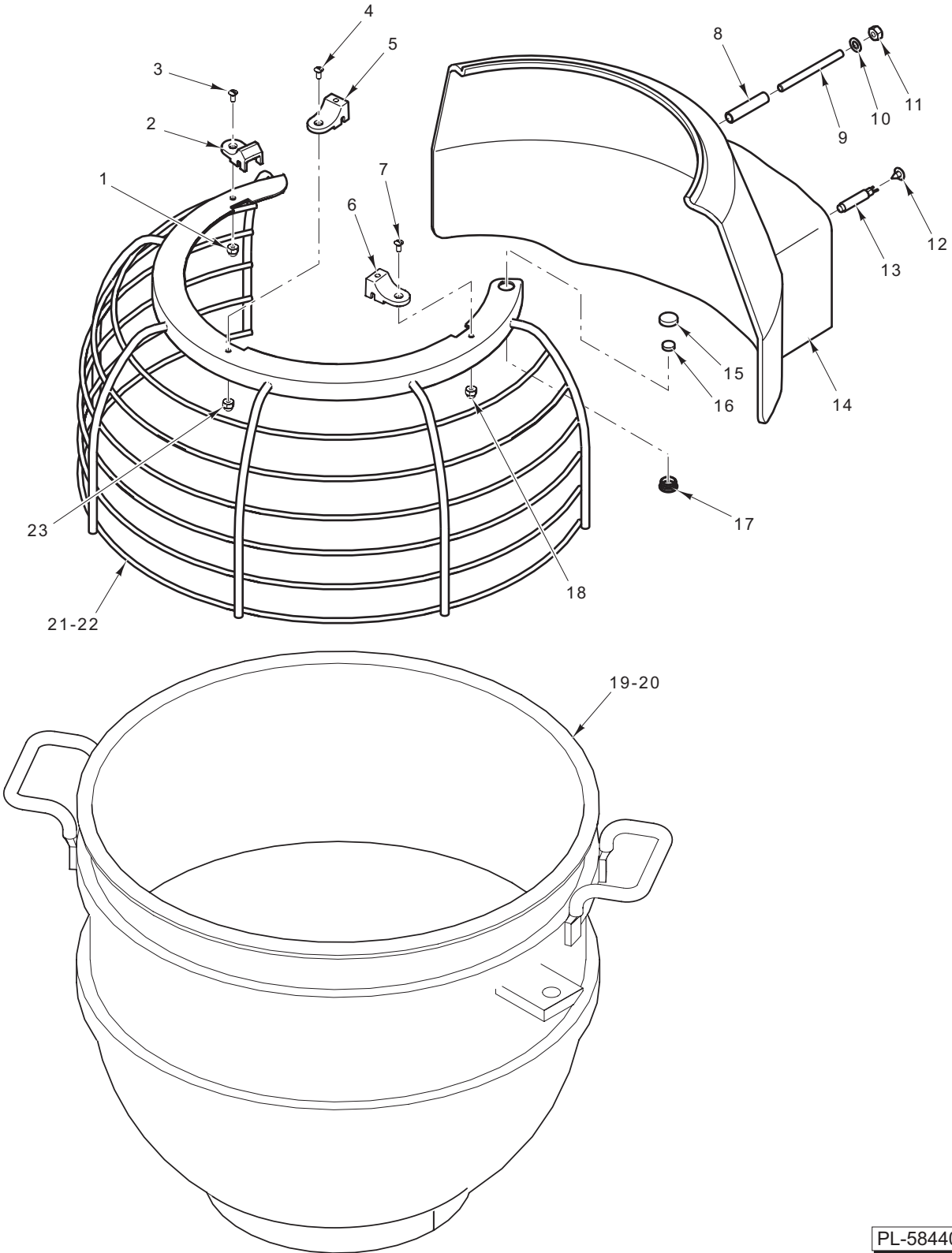
ILLUS.	PART NO.	NAME OF PART	AMT.
PL-58438			
1	SC-089-01	Cap Screw 1/4-20 x 1/2 Hex Socket Hd.....	4
2	NS-032-32	Lock Nut 3/4-16	1
3	00-916439-00002	Retainer – Planetary	1
4	BB-005-34	Bearing – Ball	1
5	00-064871	Plug – Friction.....	1
6	00-916665	Spacer – Upper Planetary	1
7	00-070020-00002	Gear – Bevel (46T)	1
8	00-916667	Shaft – Planetary	1
9	00-012430-00136	Key.....	1
10	00-916666	Gear – Helical (51T)	1
11	BB-015-08	Bearing – Ball	1
12	00-110334	Seal – Planetary	1
13	00-067500-00068	O-Ring	1
14	00-916663	Spacer – Lower Planetary	1
15	00-012430-00158	Key.....	1
16	SL-005-04	Spring – Loading.....	1
17	BB-020-06	Bearing – Ball	1
18	00-916340	Shaft – Worm Gear.....	1
19	00-012430-00138	Key.....	1
20	00-916339	Gear – Worm	1
21	00-916357	Spacer – Input Shaft.....	1
22	00-916358	Spacer - Upper Input Shaft.....	1
23	BB-021-21	Bearing – Ball	1
24	00-916438	Retainer – Wormwheel	1
25	WL-012-04	Lockwasher.....	1
26	NS-034-04	Lock Nut 3/4-16	1
27	SC-089-02	Cap Screw 1/4-20 x 3/4 Hex Socket Hd.	4



PLANETARY

PLANETARY

ILLUS.	PART NO.	NAME OF PART	AMT.
PL-58439			
1	00-916363	Flange – Drippcup	1
2	00-916416-00001	Gear – Internal	1
3	WL-003-48	Lockwasher ⁵ / ₁₆ Helical	6
4	SC-089-19	Cap Screw ⁵ / ₁₆ -18 x 1 ³ / ₈ Hex Socket Hd.	6
5	SC-066-13	Mach. Screw 8-32 x ¹ / ₄ Phil. Truss Hd. (SST) (ML-134351)	3
6	SC-128-73	Mach. Screw 8-32 x ¹ / ₄ Tx. Button Hd. (ML-134358)	3
7	00-064871	Plug – Friction	1
8	RR-004-06	Retaining Ring	1
9	00-916461	Pinion – Agitator Shaft	1
10	00-916563	Seal – Upper Agitator Shaft	1
11	BB-020-06	Bearing – Ball	1
12	00-916435	Planetary.....	1
13	00-874770	Spacer – Bowl Scraper	2
14	SC-053-46	Mach. Screw ¹ / ₄ -20 x ³ / ₄ Slotted Truss Hd. (SST).....	2
15	00-070047-00001	Washer – Planetary	1
16	WL-006-27	Lockwasher ³ / ₈ Helical.....	1
17	SC-062-58	Cap Screw ³ / ₈ -24 x 1 ¹ / ₄ Hex Socket Hd.....	1
18	BB-017-36	Bearing – Ball	1
19	00-110335	Seal – Agitator Shaft	1
20	00-916457	Shaft – Agitator	1
21	00-070019	Pin – Agitator	1

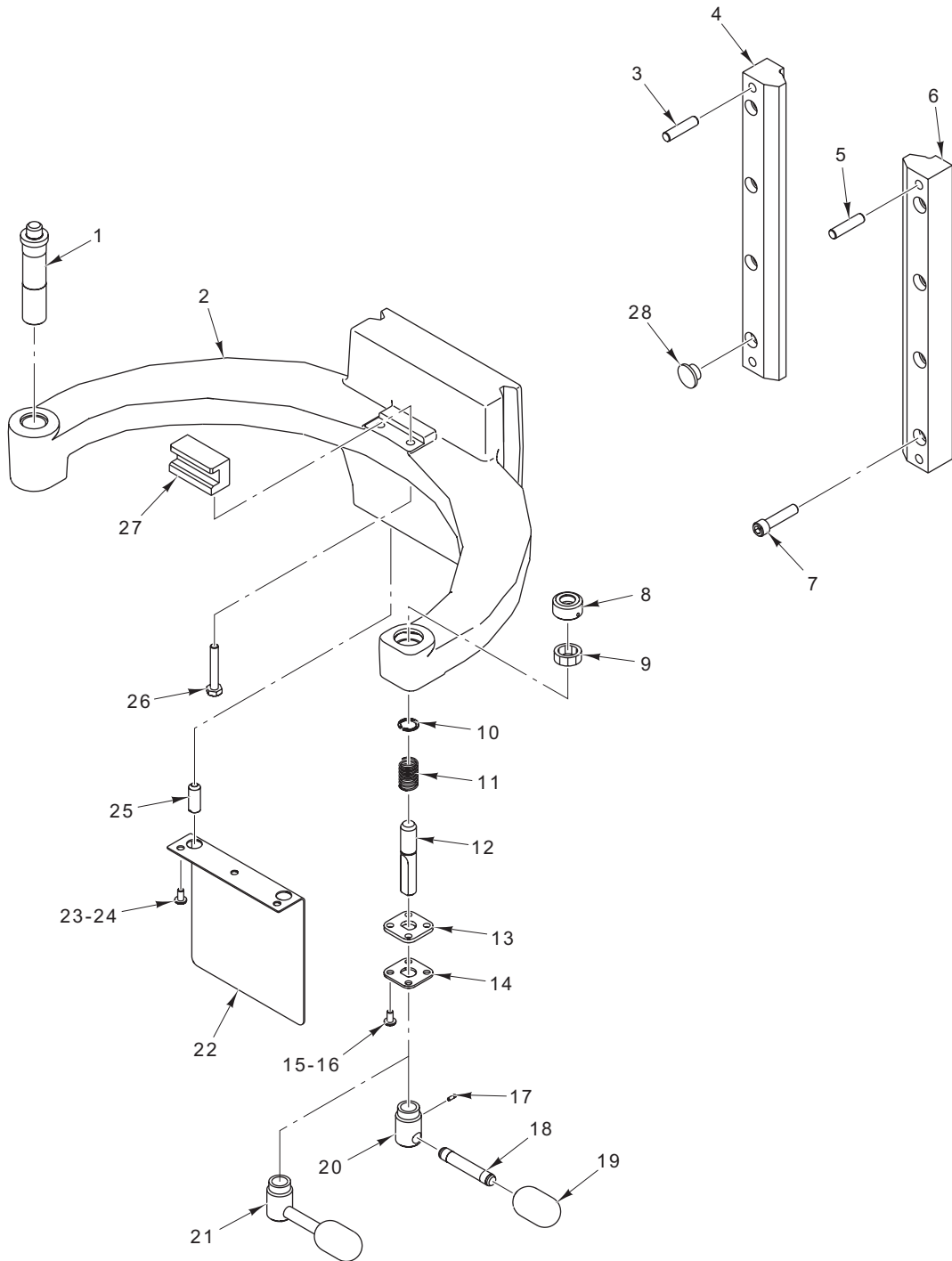


BOWL AND BOWL GUARD

PL-58440

BOWL AND BOWL GUARD

ILLUS.	PART NO.	NAME OF PART	AMT.
PL-58440			
1	NS-048-96	Crown Nut 6-32 (SST)	1
2	00-916424-00002	Carrier – Wire Cage Bypass	1
3	SC-129-39	Mach. Screw 6-32 x 5/16 Slotted Oval Hd. (SST)	1
4	SC-129-39	Mach. Screw 6-32 x 5/16 Slotted Oval Hd. (SST)	1
5	00-916424-00001	Carrier – Wire Cage Standard	1
6	00-916424-00001	Carrier – Wire Cage Standard	1
7	SC-129-39	Mach. Screw 6-32 x 5/16 Slotted Oval Hd. (SST)	1
8	00-916610	Spacer – Splash Guard	4
9	00-916671	Rod – Splash Guard	4
10	WS-003-19	Washer.....	8
11	NS-013-02	Nut 1/4-20 Hex	4
12	SD-034-19	Self-Tapping Screw 10-16 x 3/8 Phil. Truss Hd., Type AB.....	1
13	00-087711-00352	Switch – Reed.....	1
14	00-916407	Guard – Splash Back.....	1
15	00-874887	Holder – Upper Magnet	1
16	00-874875	Magnet – Disc.....	1
17	00-874886	Holder – Lower Magnet	1
18	NS-048-96	Crown Nut 6-32 (SST)	1
19	00-916617	Bowl Assy. (20 Qt.).....	1
20	00-916616	Bowl Assy. (30 Qt.).....	1
21	00-916423-00001	Cage – Wire Weldment (ML-134351)	1
22	00-916423-00002	Cage – Security (ML-134358).....	1
23	NS-048-96	Crown Nut 6-32 (SST)	1
	00-916422-00001	Wire Cage Assy. (Incls. Items 1 thru 7, 15 thru 18, 21, & 23) (ML-134351)	1
	00-916422-00002	Wire Cage Assy. (Incls. Items 1 thru 7, 15 thru 18, 22, & 23) (ML-134358)	1

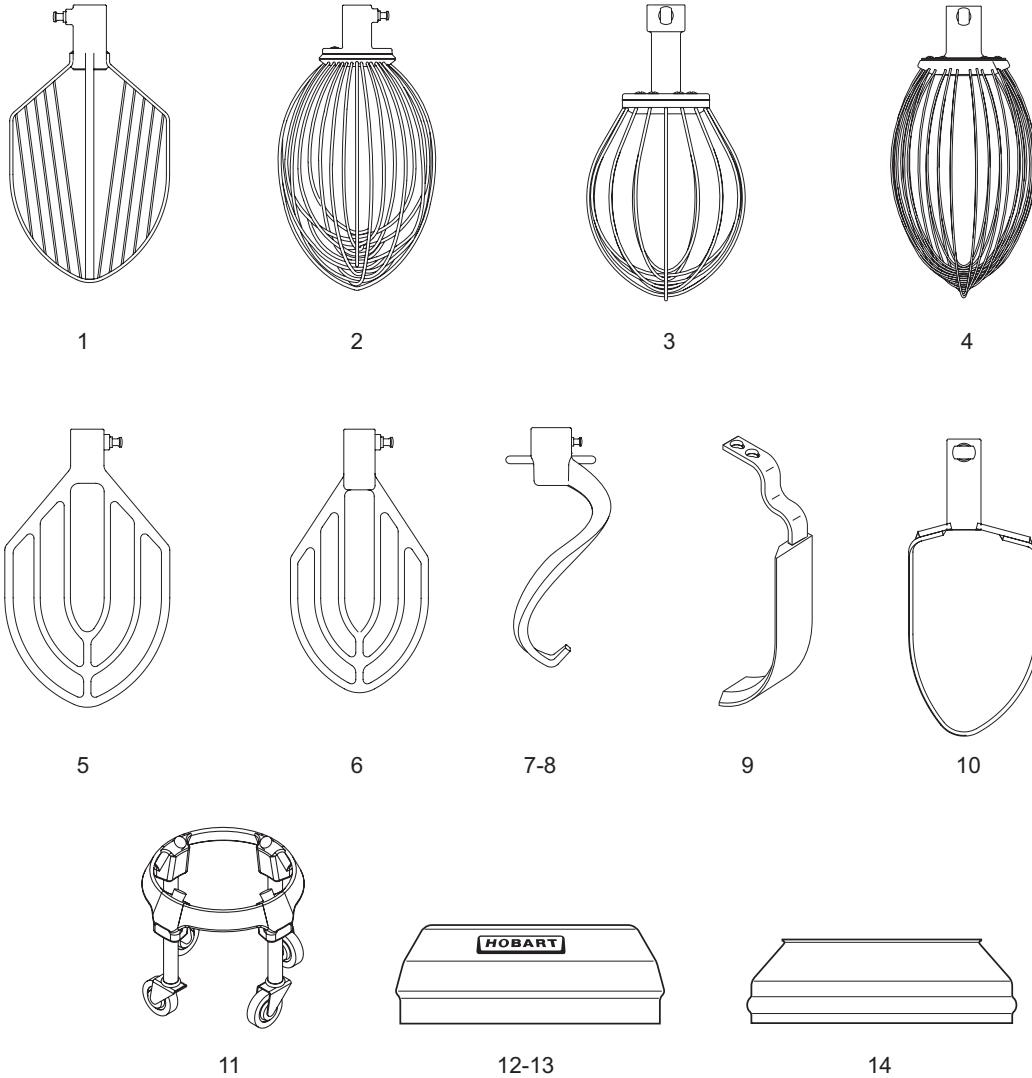


PL-58436

BOWL SUPPORT

BOWL SUPPORT

ILLUS. PL-58436	PART NO.	NAME OF PART	AMT.
1	00-916516	Pin – Bowl (LH).....	1
2	00-916497	Support – Bowl	1
3	00-011800-00141	Dowel 1/16 x 1 3/16	2
4	00-916365-00001	Slideway – Bowl Lift (LH).....	1
5	00-011800-00141	Dowel 1/16 x 1 3/16	2
6	00-916365-00002	Slideway – Bowl Lift (RH)	1
7	SC-089-19	Cap Screw 5/16-18 x 1 3/8 Hex Socket Hd.	8
8	00-916501	Ramp	1
9	00-916502	Bushing – Split.....	1
10	RR-012-30	Retaining Ring	1
11	00-916488	Spring – Compression	1
12	00-916505	Pin – Bowl (RH)	1
13	00-916550	Glide – Bowl Release	1
14	00-916506	Plate – Bowl Release.....	1
15	SC-093-23	Mach. Screw 10-24 x 3/8 Phil. Pan Hd. (SST) (ML-134351).....	4
16	SC-128-64	Mach. Screw 1/4-20 x 1 Tx. Flat Hd. (ML-134358).....	4
17	SC-047-74	Set Screw 8-32 x 1/4 Hex Hdls., Cup Pt.....	1
18	00-916552	Shaft – Bowl Pin Handle (ML-134351)	1
19	00-875356	Handle – Lift Lever (ML-134351)	1
20	00-916503	Block – Bowl Handle (ML-134351)	1
21	00-916504-00002	Handle – Bowl Release (ML-134358).....	1
22	00-916470	Apron – Lower	1
23	SC-093-23	Mach. Screw 10-24 x 3/8 Phil. Pan Hd. (SST) (ML-134351).....	3
24	SC-128-69	Mach. Screw 10-24 x 3/8 Tx. Button Hd. (ML-134358)	3
25	SC-129-59	Set Screw 3/8-16 x 1	2
26	SC-097-15	Cap Screw 1/4-20 x 1 5/8 Hex Hd.....	2
27	00-916515	Catch – Rear Bowl.....	1
28	PB-004-96	Cap	8



PL-58466

AGITATORS AND ACCESSORIES

ILLUS.	PART NO.	NAME OF PART	AMT.
1	00-916573	"C" Wire Whip (30 & 40 Qt.) (Packaged)	1
2	00-916598	"D" Wire Whip (20 Qt.) (Packaged)	1
3	00-916520	"I" Wire Whip (30 & 40 Qt.) (Packaged)	1
4	00-916421	"D" Wire Whip (30 & 40 Qt.) (Packaged)	1
5	00-916372	"B" Beater (30 & 40 Qt.) (Packaged)	1
6	00-916582	"B" Flat Beater (20 Qt.) (Packaged)	1
7	00-916827	"ED" Dough Arm (20 Qt.) (Packaged)	1
8	00-916618-00001	"ED" Hook (30 & 40 Qt.) (Packaged)	1
9	00-916838	Bowl Scraper (30 Qt.) (Packaged)	1
10	00-916481	"P" Pastry Knife (30 & 40 Qt.) (Packaged)	1
11	00-916883	Bowl Truck Assy.	1
12	00-438079	Splash Cover (20 Qt.) (Packaged) (Lexan)	1
13	00-438080	Splash Cover (30 Qt.) (Packaged) (Lexan)	1
14	00-875677	Splash Cover (20 Qt.) (Packaged) (SST)	1
	00-916684	Chute – Ingredient (20 Qt.) (Packaged)	1
	00-438607	Chute – Ingredient (30 Qt.) (Packaged)	1