



Commercial Service Parts

GRIDDLE (HTG)

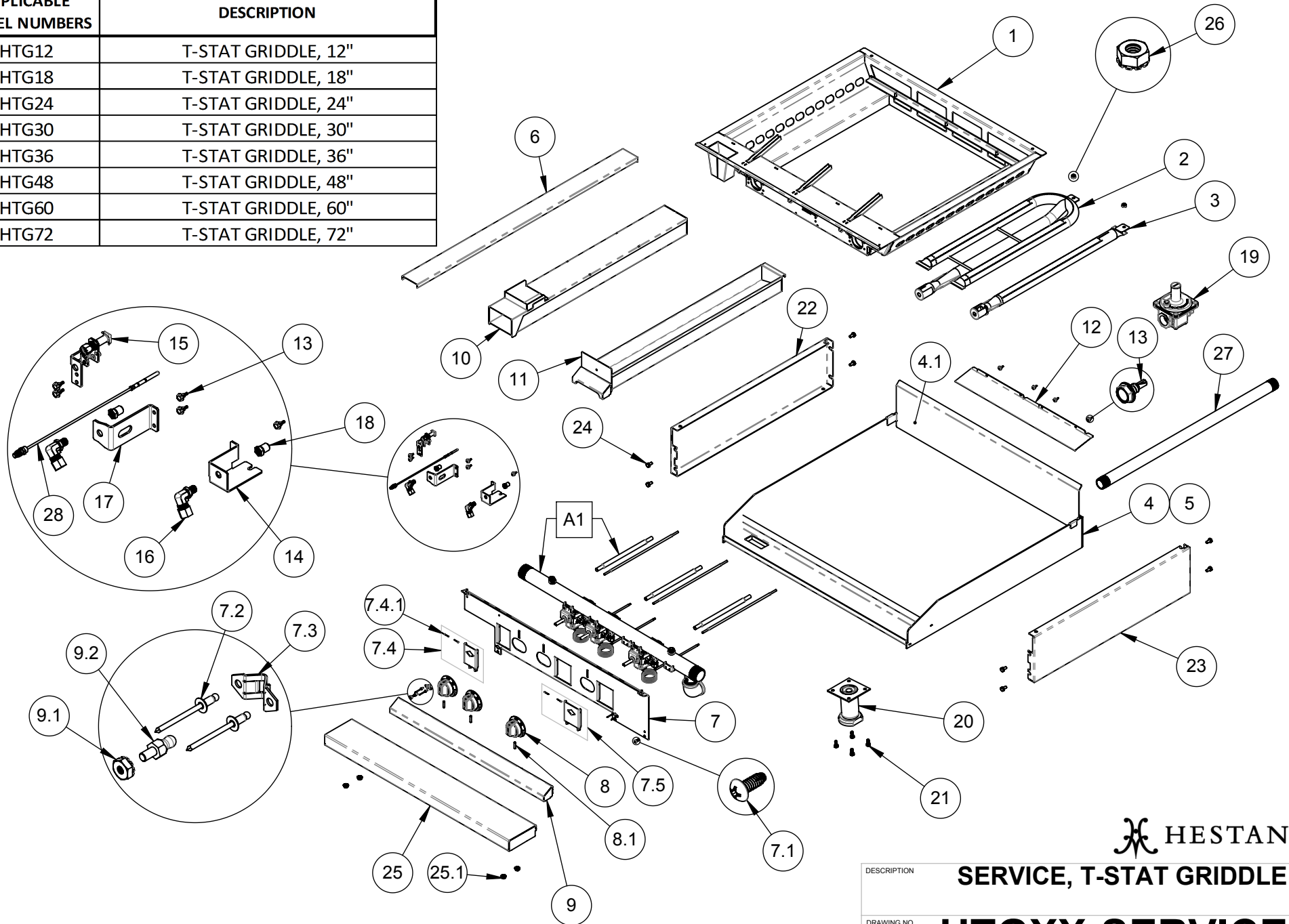
Hestan Commercial Corporation
3375 E. La Palma Ave.
Anaheim, CA 92806
(888) 905-7463

RETAIN THIS FOR FUTURE REFERENCE

Revised: July 24, 2023
Rev. E

REPLACEMENT PARTS - HESTAN T-STAT GRIDDLE

APPLICABLE MODEL NUMBERS	DESCRIPTION
HTG12	T-STAT GRIDDLE, 12"
HTG18	T-STAT GRIDDLE, 18"
HTG24	T-STAT GRIDDLE, 24"
HTG30	T-STAT GRIDDLE, 30"
HTG36	T-STAT GRIDDLE, 36"
HTG48	T-STAT GRIDDLE, 48"
HTG60	T-STAT GRIDDLE, 60"
HTG72	T-STAT GRIDDLE, 72"



HESTAN

SERVICE, T-STAT GRIDDLE

DESCRIPTION

DRAWING NO

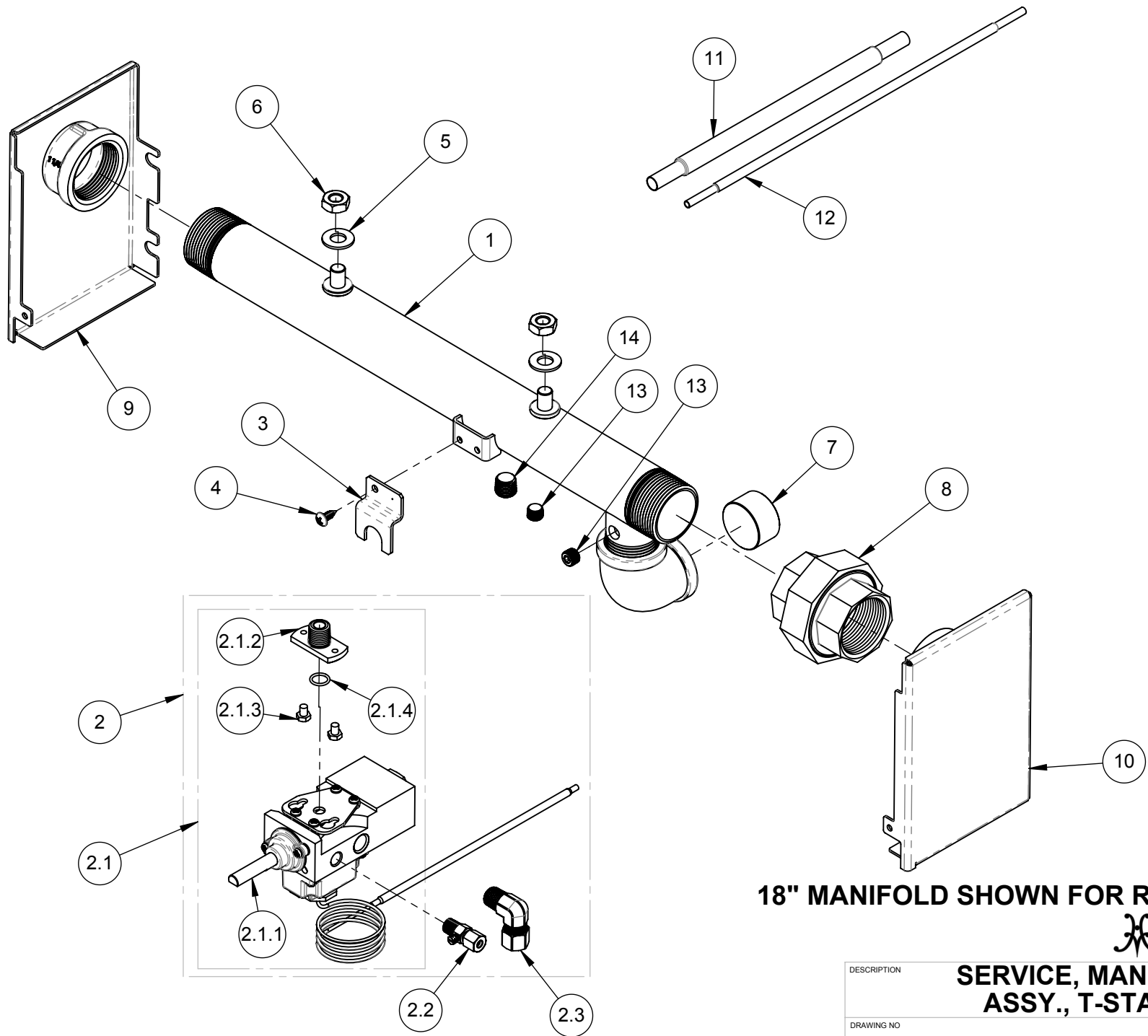
HTGXX-SERVICE

GRIDDLE (T'STAT) - SERVICE PARTS LIST

Item No.	Part No.	DESCRIPTION	HTG12	HTG18	HTG24	HTG30	HTG36	HTG48	HTG60	HTG72
			QTY	QTY	QTY	QTY	QTY	QTY	QTY	QTY
1	001232	FIREBOX, GRIDDLE, WA, 12	1	-	-	-	-	-	-	-
	002924	FIREBOX, GRIDDLE, WA, 18	-	1	-	-	-	-	-	-
	002925	FIREBOX, GRIDDLE, WA, 24	-	-	1	-	-	2	-	-
	002926	FIREBOX, GRIDDLE, WA, 30	-	-	-	1	-	-	2	-
	000510	FIREBOX, GRIDDLE, WA, 36	-	-	-	-	1	-	-	2
2	000514	BURNER, U-TUBE, 40K BTU, GRIDDLE	-	1	2	2	3	4	4	6
3	000884	BURNER, TUBE, 16.5K BTU, GRIDDLE	1	-	-	1	-	-	2	-
4	001235	GRIDDLE PLATE, STD., 2" SIDES, W/A, 12	1	-	-	-	-	-	-	-
	001236	GRIDDLE PLATE, STD., 2" SIDES, W/A, 18	-	1	-	-	-	-	-	-
	001237	GRIDDLE PLATE, STD., 2" SIDES, W/A, 24	-	-	1	-	-	-	-	-
	001238	GRIDDLE PLATE, STD., 2" SIDES, W/A, 30	-	-	-	1	-	-	-	-
	000387	GRIDDLE PLATE, STD., 2" SIDES, W/A, 36	-	-	-	-	1	-	-	-
	003150	GRIDDLE PLATE, STD., 2" SIDES, W/A, 48	-	-	-	-	-	1	-	-
	003152	GRIDDLE PLATE, STD., 2" SIDES, W/A, 60	-	-	-	-	-	-	1	-
	002249	GRIDDLE PLATE, STD., 2" SIDES, W/A, 72	-	-	-	-	-	-	-	1
4.1	033824	SPLASH, GRIDDLE, BACK, 12"	1	-	-	-	-	-	-	-
	033825	SPLASH, GRIDDLE, BACK, 18"	-	1	-	-	-	-	-	-
	032944	SPLASH, GRIDDLE, BACK, 24"	-	-	1	-	-	-	-	-
	033826	SPLASH, GRIDDLE, BACK, 30"	-	-	-	1	-	-	-	-
	033827	SPLASH, GRIDDLE, BACK, 36"	-	-	-	-	1	-	-	-
	033828	SPLASH, GRIDDLE, BACK, 48"	-	-	-	-	-	1	-	-
	033829	SPLASH, GRIDDLE, BACK, 60"	-	-	-	-	-	-	1	-
	033831	SPLASH, GRIDDLE, BACK, 72"	-	-	-	-	-	-	-	1
5	004781	GRIDDLE PLATE, MIRROR, 2" SIDES, W/A, 12	1	-	-	-	-	-	-	-
	004782	GRIDDLE PLATE, MIRROR, 2" SIDES, W/A, 18	-	1	-	-	-	-	-	-
	004783	GRIDDLE PLATE, MIRROR, 2" SIDES, W/A, 24	-	-	1	-	-	-	-	-
	004784	GRIDDLE PLATE, MIRROR, 2" SIDES, W/A, 30	-	-	-	1	-	-	-	-
	003480	GRIDDLE PLATE, MIRROR, 2" SIDES, W/A, 36	-	-	-	-	1	-	-	-
	004785	GRIDDLE PLATE, MIRROR, 2" SIDES, W/A, 48	-	-	-	-	-	1	-	-

Item No.	Part No.	DESCRIPTION	HTG12	HTG18	HTG24	HTG30	HTG36	HTG48	HTG60	HTG72
			QTY	QTY	QTY	QTY	QTY	QTY	QTY	QTY
14	001751	BRACKET, ORIFICE, GRIDDLE, 12"	1	-	-	1	-	-	2	-
15	001831	PILOT ASSY., RIGHT ANGLE, 5CL-2, NG	1	1	2	3	3	4	6	6
	006035	PILOT ASSY., RIGHT ANGLE, 5CL-2, LP	1	1	2	3	3	4	6	6
16	000917	HOLDER, ORIFICE, BULKHEAD, SMALL	1	1	2	3	3	4	6	6
17	000513	BRACKET, ORIFICE, GRIDDLE	-	1	2	2	3	4	4	6
18	000293-043	ORIFICE, HOOD, #43 (NG)	-	1	2	2	3	4	4	6
	000293-053	ORIFICE, HOOD, #53 (NG)	-	-	-	1	-	-	-	-
	000293-050	ORIFICE, HOOD, #50 (NG)	1	-	-	-	-	-	2	-
	000293-053	ORIFICE, HOOD, #53 (LP)	-	1	2	2	3	4	4	6
	000293-059	ORIFICE, HOOD, #59 (LP)	-	-	-	1	-	-	-	-
	000293-056	ORIFICE, HOOD, #56 (LP)	1	-	-	-	-	-	2	-
19	004163	REGULATOR, STRAIGHT-THRU, 1"NPT, NG	1	1	1	1	1	1	1	1
	004162	REGULATOR, STRAIGHT-THRU, 1"NPT, LP	1	1	1	1	1	1	1	1
	004165	REGULATOR, STRAIGHT-THRU, 1-1/4"NPT, NG	1	1	1	1	1	1	1	1
	004164	REGULATOR, STRAIGHT-THRU, 1-1/4"NPT, LP	1	1	1	1	1	1	1	1
20	000470	ADJUSTABLE LEG, ASSY., 4"	4	4	4	4	4	6	6	6
21	014191	SERVICE, HB, 1/4-20 X 5/8, SS, PKG 4	4	4	4	4	4	6	6	6
22	000501	PANEL, SIDE, LH, RANGETOP	1	1	1	1	1	1	1	1
23	000122	PANEL, SIDE, RH, RANGETOP	1	1	1	1	1	1	1	1
24	013303	SERVICE, HB, 1/4-20 X .5, ZN, PKG 8	1	1	1	1	1	1	1	1
25	003659	PLATE SHELF, 12, W/A	1	-	-	-	-	-	-	-
	003660	PLATE SHELF, 18, W/A	-	1	-	-	-	-	-	-
	003662	PLATE SHELF, 24, W/A	-	-	1	-	-	-	-	-
	003663	PLATE SHELF, 30, W/A	-	-	-	1	-	-	-	-
	003664	PLATE SHELF, 36, W/A	-	-	-	-	1	-	-	-
	003665	PLATE SHELF, 48, W/A	-	-	-	-	-	1	-	-
	003667	PLATE SHELF, 60, W/A	-	-	-	-	-	-	1	-
	003668	PLATE SHELF, 72, W/A	-	-	-	-	-	-	-	1
	018046	PLATE SHELF, 6" EXTENDED, WA, 12	1	-	-	-	-	-	-	-
	034423	PLATE SHELF, 6" EXTENDED, WA, 18	-	1	-	-	-	-	-	-
	034424	PLATE SHELF, 6" EXTENDED, WA, 24	-	-	1	-	-	-	-	-
	013144	PLATE SHELF, 6" EXTENDED, WA, 30	-	-	-	1	-	-	-	-
006053	PLATE SHELF, 6" EXTENDED, WA, 36	-	-	-	-	1	-	-	-	

Item No.	Part No.	DESCRIPTION	HTG12	HTG18	HTG24	HTG30	HTG36	HTG48	HTG60	HTG72
			QTY	QTY	QTY	QTY	QTY	QTY	QTY	QTY
	017899	PLATE SHELF, 6" EXTENDED, WA, 48	-	-	-	-	-	1	-	-
	012814	PLATE SHELF, 6" EXTENDED, WA, 60	-	-	-	-	-	-	1	-
	001868	PLATE SHELF, 6" EXTENDED, WA, 72	-	-	-	-	-	-	-	1
	034428	PLATE SHELF, 8" EXTENDED, WA, 12	1	-	-	-	-	-	-	-
	034427	PLATE SHELF, 8" EXTENDED, WA, 18	-	1	-	-	-	-	-	-
	034426	PLATE SHELF, 8" EXTENDED, WA, 24	-	-	1	-	-	-	-	-
	034425	PLATE SHELF, 8" EXTENDED, WA, 30	-	-	-	1	-	-	-	-
	006069	PLATE SHELF, 8" EXTENDED, WA, 36	-	-	-	-	1	-	-	-
	021507	PLATE SHELF, 8" EXTENDED, WA, 48	-	-	-	-	-	1	-	-
	026249	PLATE SHELF, 8" EXTENDED, WA, 60	-	-	-	-	-	-	1	-
	021508	PLATE SHELF, 8" EXTENDED, WA, 72	-	-	-	-	-	-	-	1
25.1	012685	SERVICE, NUT, LOCK, SERRATED FLANGE, 1/4-20, PKG 4	1	1	1	1	1	1	2	2
26	012694	SERVICE, NUT, KEPS, 1/4-20, ZN, PKG 3	1	1	1	1	1	2	2	2
27	AHRGC	REAR GAS CONNECTION, 1" NPT	-	1	1	1	1	1	1	1
28	000318	THERMOCOUPLE, PUSH-IN, 18"	1	1	2	3	3	4	6	6



DESCRIPTION

DRAWING NO

A1 - GAS MANIFOLD ASSEMBLY - GRIDDLE (T'STAT)

Item No.	Part No.	DESCRIPTION	HTG12 QTY	HTG18 QTY	HTG24 QTY	HTG30 QTY	HTG36 QTY	HTG48 QTY	HTG60 QTY	HTG72 QTY
1	001244	MANIFOLD, GRIDDLE, W/A, 12	1	-	-	-	-	-	-	-
	001258	MANIFOLD, GRIDDLE, W/A, 18	-	1	-	-	-	-	-	-
	001259	MANIFOLD, GRIDDLE, W/A, 24	-	-	1	-	-	-	-	-
	001260	MANIFOLD, GRIDDLE, W/A, 30	-	-	-	1	-	-	-	-
	001093	MANIFOLD, GRIDDLE, W/A, 36	-	-	-	-	1	-	-	-
	004074	MANIFOLD, GRIDDLE, W/A, 48	-	-	-	-	-	1	-	-
	003727	MANIFOLD, GRIDDLE, W/A, 60	-	-	-	-	-	-	1	-
	002021	MANIFOLD, GRIDDLE, W/A, 72	-	-	-	-	-	-	-	1
2	033079	SERVICE, KIT, THERMOSTAT, GRIDDLE	1	1	2	3	3	4	6	6
2.1	000888-S	SERVICE, CONTROLLER, TEMP, FLANGE-MOUNT, ASSY. COMSA006K	1	1	2	3	3	4	6	6
2.1.1	004645	CONTROLLER, TEMP, FLANGE-MOUNT, COMSA006K	1	1	2	3	3	4	6	6
2.1.2	004643	FLANGED NIPPLE, 1/4 NPT	1	1	2	3	3	4	6	6
2.1.3	012750	SERVICE, SHCS, 10-24 X .500, SS, PKG 6	1	1	1	1	1	2	2	2
2.1.4	014103	SERVICE, O-RING, FLANGED NIPPLE, PKG 6	1	1	2	3	3	4	6	6
2.2	000859	VALVE, PILOT, 1/8NPT x 3/16 COMP., STRAIGHT	1	1	2	3	3	4	6	6
2.3	002321	ELBOW, ADAPTER, 1/4 NPT FEMALE X 3/8 CC	1	1	2	3	3	4	6	6
3	001413	BRACKET, VALVE ANTI-ROTATION, STD.	1	1	2	3	3	4	6	6
4	012689	SERVICE, SMS, #10 X .5, PH, PAN, ZN, PKG 3	1	1	1	1	1	2	2	2
5	012679	SERVICE, WSH, FLAT, 3/8 SAE, PKG 4	1	1	1	1	1	1	1	1
6	012681	SERVICE, NUT, 3/8-16 X .25, PKG 4	1	1	1	1	1	1	1	1
7	000258	PLUG, SQUARE SOCKET, 1" NPT	-	1	1	1	1	1	1	1
8	000254	UNION, 1.25", NPT, SET	1	1	1	1	1	1	1	1
9	AHCCL	CAP, MANIFOLD, LEFT, ASSY.	1	1	1	1	1	1	1	1
10	AHCCR	CAP, MANIFOLD, RIGHT, ASSY.	1	1	1	1	1	1	1	1
11	005682	HOSE, FLEX, 3/8 OD, 12", F-F, NUT/FERRULE	1	1	2	3	3	4	6	6
12	005687	HOSE, FLEX, 3/16 OD, 12", F-F, NUT/FERRULE	1	1	2	3	3	4	6	6
13	000360	PLUG, HEX SOCKET, 1/8" NPT	-	1	2	1	2	2	1	2
14	001940	PLUG, HEX SOCKET, 1/4" NPT	-	-	1	2	1	1	4	1