

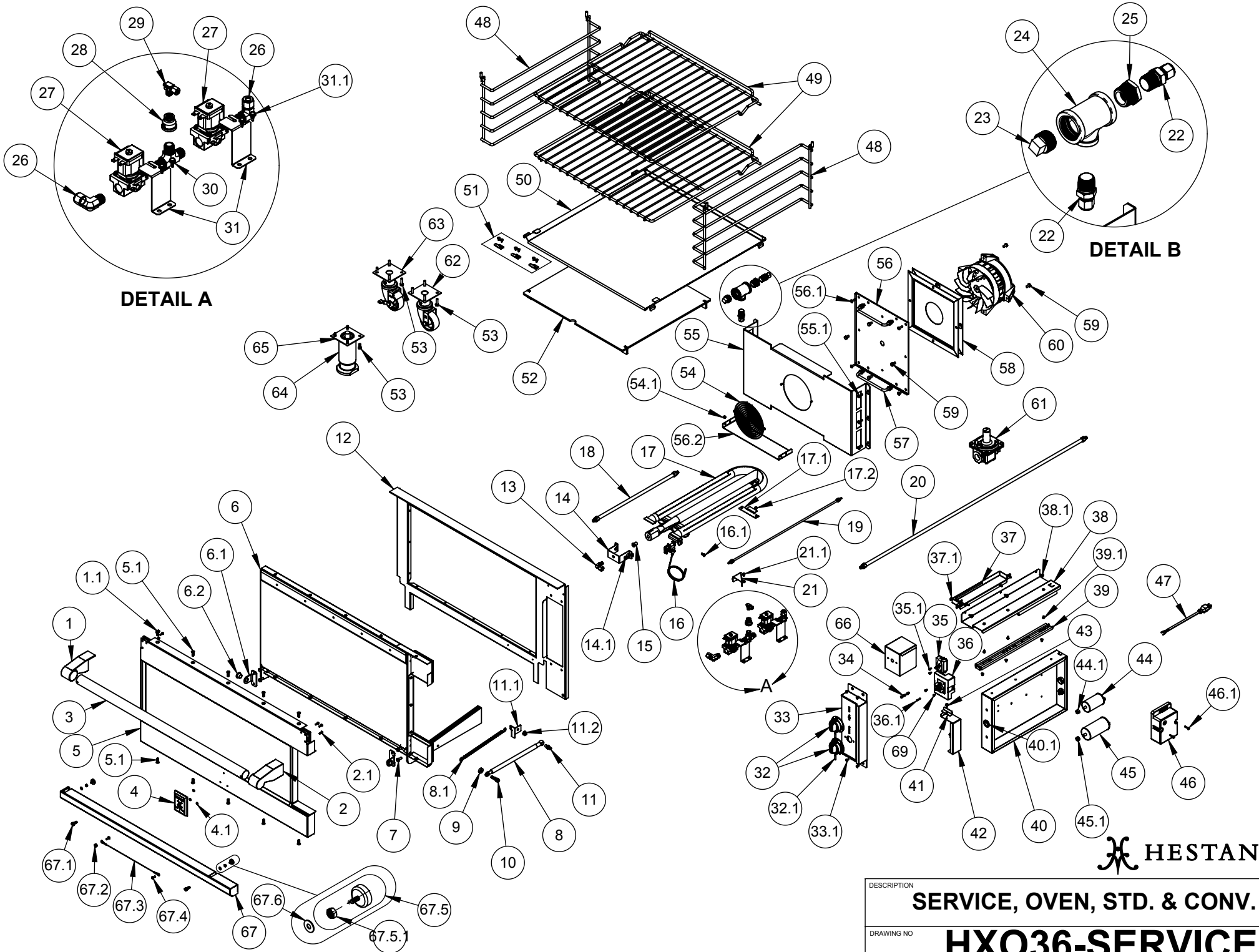
Commercial Service Parts

OVEN (HXO)

Hestan Commercial Corporation
3375 E. La Palma Ave.
Anaheim, CA 92806
(888) 905-7463

RETAIN THIS FOR FUTURE REFERENCE

Revised: Nov 2, 2023
Rev. E

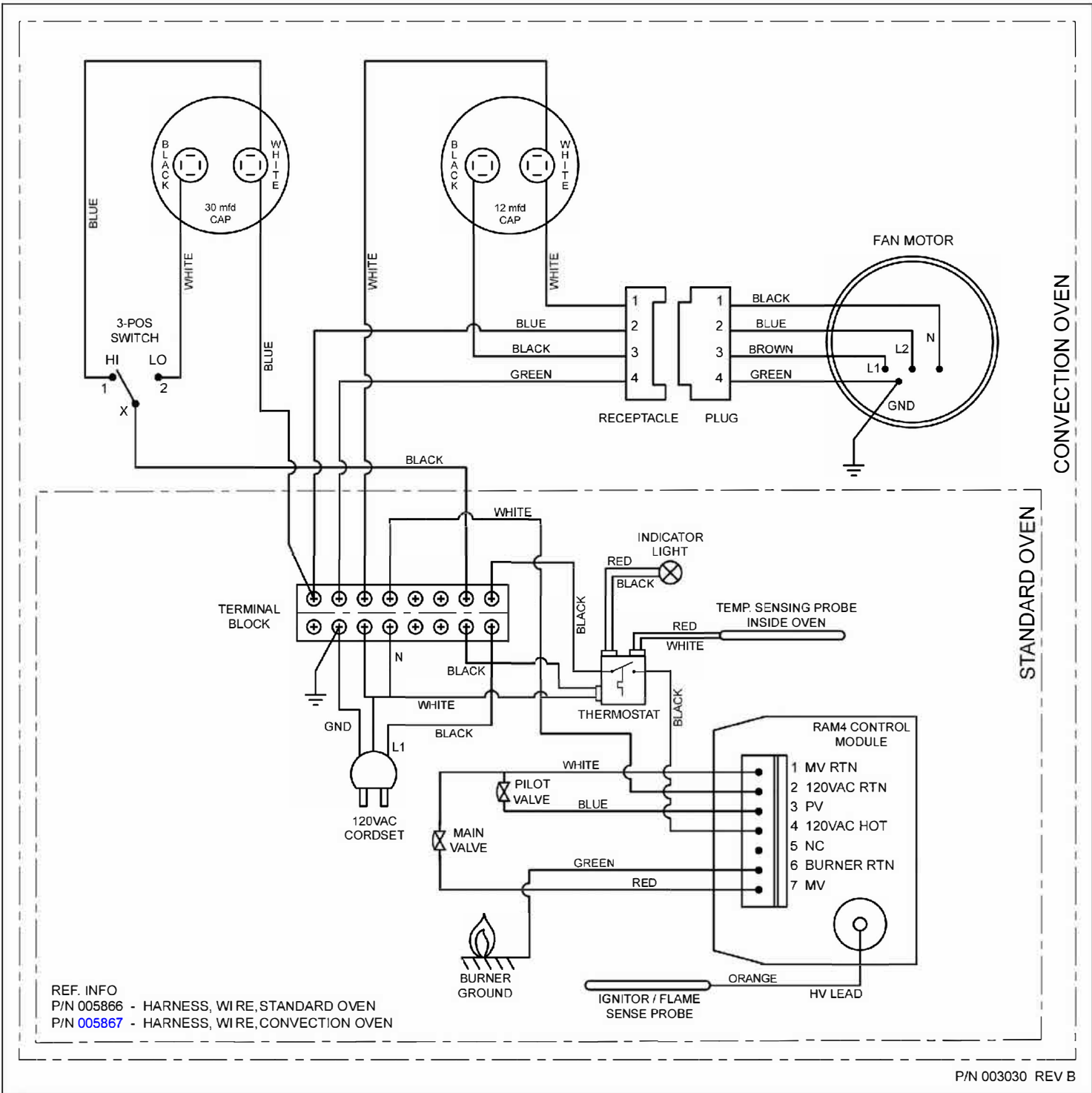


DETAIL A

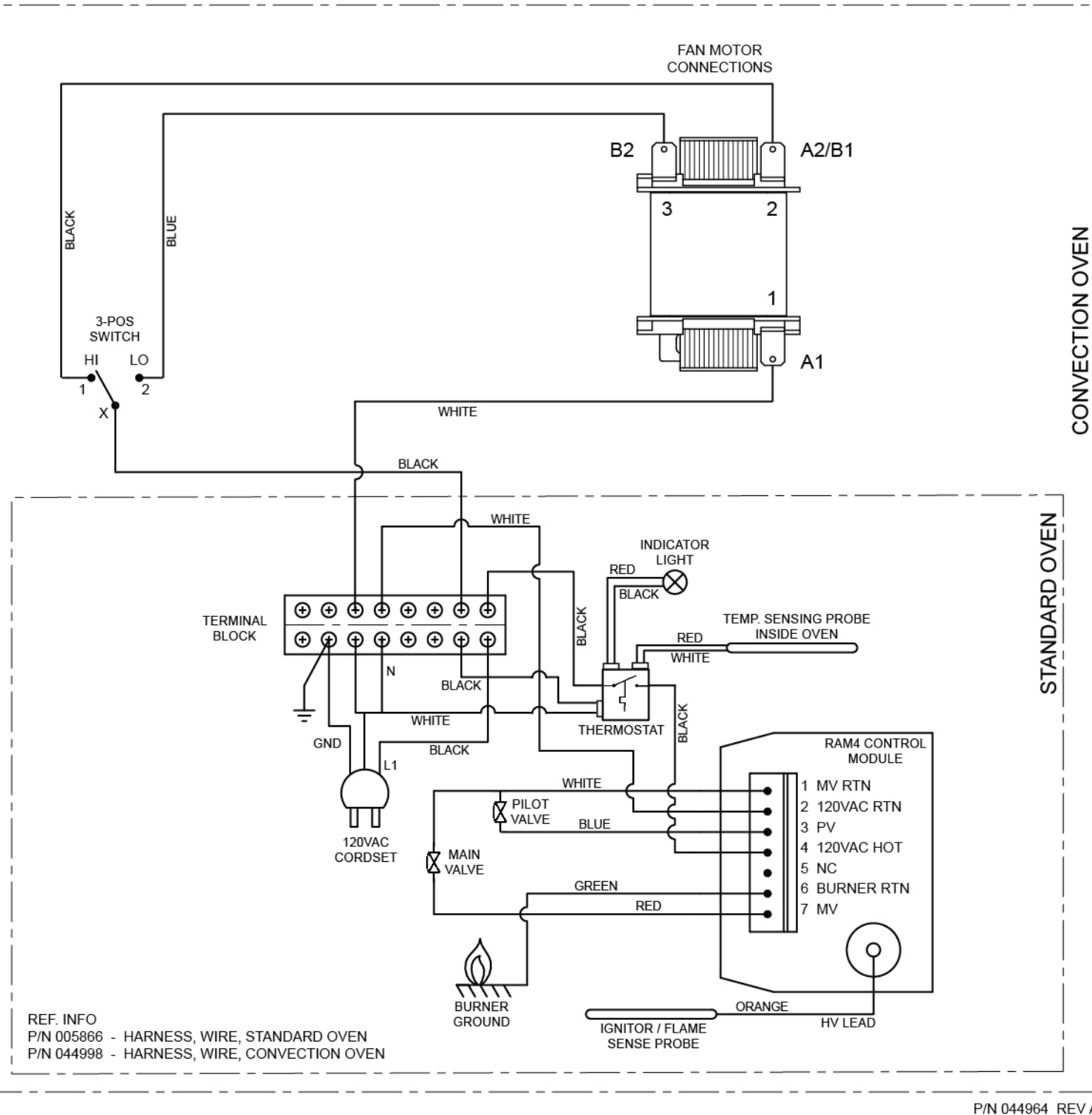
DETAIL B



DESCRIPTION	SERVICE, OVEN, STD. & CONV.
DRAWING NO	HXO36-SERVICE



REF. INFO
 P/N 005866 - HARNESS, WIRE, STANDARD OVEN
 P/N 005867 - HARNESS, WIRE, CONVECTION OVEN



REF. INFO
 P/N 005866 - HARNESS, WIRE, STANDARD OVEN
 P/N 044998 - HARNESS, WIRE, CONVECTION OVEN

OVEN, STD. & CONV. (SPARK) - SERVICE PARTS LIST

Item No.	Part No.	DESCRIPTION	HCO36	HSO36
			QTY	QTY
1	000114	ENDCAP, HANDLE, LH, OVEN DOOR	1	1
1.1	011710	SERVICE, MS, 8-32 X .5, PH, PAN, SS, PKG 12	1	1
2	000115	ENDCAP, HANDLE, RH, OVEN DOOR	1	1
2.1	011710	SERVICE, MS, 8-32 X .5, PH, PAN, SS, PKG 12	1	1
3	000284	HANDLE, DOOR, OVEN	1	1
4	024252	SERVICE, LARGE HESTAN LOGO W/ RETAINING RINGS	1	1
4.1	014439	SERVICE, RETAINING RING, EXTERNAL, .125" DIA. SHAFT, PKG 4	1	1
5	000328	W/A, FRONT, DOOR, OVEN	1	1
5.1	014549	SERVICE, MS, 1/4-20 X .75, PH, CSK, SS, PKG 6	2	2
6	007099	W/A, INSULATION, DOOR, OVEN	1	1
6.1	000290	BRACKET, MOUNTING, HINGE, DOOR, OVEN	2	2
6.2	000857	BEARING, FLANGE, BRONZE	2	2
7	013389	SERVICE, HB, 1/4-20 X .625, ZN, PKG 8	1	1
8	001077	DAMPER, DYRAULIC, OVEN DOOR	1	1
8.1	013986	SPRING, EXTENSION, 30/36/42	1	1
9	004768	SPACER, UNTREADED, ALUMINUM, 3/4 X 1/2"	1	1
10	024363	HEX BOLT W/ SHOULDER, SS, FOR OVEN ARM DOOR & SPRING	1	1
11	014553	SERVICE, BALL STUD, MALE, 5/16-18, 10 MM, PKG 4	1	1
11.1	022039	BRACKET, SPRING, OVEN	1	1
11.2	009200	NUT, KEPS, 5/16-18, SS	1	1
12	001247	ASSEMBLY, FRAME, OVEN	1	1
13	000917	HOLDER, ORIFICE, BULKHEAD, SMALL	1	1
14	000372	ORIFICE HOLDER, OVEN	1	1
14.1	014381	SERVICE, SMS, TEK, #10 X 1/2", ZN, PKG 6	1	1
15	000293-032	ORIFICE, HOOD, #32 (-NG)	1	1
	000293-049	ORIFICE, HOOD, #49 (-LP)	1	1
16	001810	PILOT ASSY, RIGHT ANGLE, 5CL-2 (NG)	1	1
	006034	PILOT ASSY, RIGHT ANGLE, 5CL-2 LP (LP)	1	1
16.1	011708	SERVICE, MS, 8-32 X .25, PH, PAN, SS, PKG 12	1	1

			HCO36	HSO36
Item No.	Part No.	DESCRIPTION	QTY	QTY
17	001978	W/A, BURNER, OVEN	1	1
17.1	005686	CLAMP, HOLD-DOWN, BURNER	1	1
17.2	010237	SERVICE, MS, 10-24 X 1/4, HEX HEAD, SS, PKG 6	1	1
18	005683	HOSE, FLEX, 3/8 OD, 18", F-F, NUT/FERRULE	1	1
19	005689	HOSE, FLEX, 3/16 OD, 24", F-F, NUT/FERRULE	1	1
20	005876	HOSE, FLEX, 3/8 OD, 48", F-F, NUT/FERRULE	1	1
21	005661	SHIELD, HEAT, OVEN PILOT	1	1
21.1	010237	SERVICE, MS, 10-24 X 1/4, HEX HEAD, SS, PKG 6	1	1
22	002934	ADAPTER, STRAIGHT, 1/2 NPT X 3/8" CC	2	2
23	002936	PLUG, SQUARE HEAD, 3/4 NPT"	1	1
24	005520	TEE, INLINE REDUCING, 3/4 X 1/2 NPT	1	1
25	006644	BUSHING, HEX REDUCING, 3/4 NPTM X 1/2 NPTF	1	1
26	002912	ELBOW, 90° ADAPTER, 3/8 NPT TO 3/8 CC	2	2
27	001381	VALVE, SOLENOID, OVEN, ROBERTSHAW	2	2
28	002945	COUPLING, REDUCING, 3/8 TO 1/8 FNPT, BRASS	1	1
29	002946	ADAPTER, STRAIGHT, 1/8 NPT TO 3/16 CC	1	1
30	002906	TEE, MALE, 3/8 X 3/8 X 3/8 NPT	1	1
31	004496	BRACKET, SOLENOID, OVEN	2	2
31.1	014381	SERVICE, SMS, TEK, #10 X 1/2", ZN, PKG 6	1	1
32	003763	KNOB ASSY, OVEN TEMP, 85% - 150-650°F	1	1
	002645	KNOB ASSY, CONV. FAN, 85%	1	-
32.1	014300	SERVICE, SETSCREW, #10-24 X .875, CUP PT, SS, PKG 6	1	1
33	001641	ASSEMBLY, CONTROL, OVEN, CONVECTION	1	-
	000989	ASSEMBLY, CONTROL, OVEN, STANDARD	-	1
33.1	011692	SERVICE, MS, 10-24 X 3/8, PH, FLT, SS, PKG 4	1	1
34	005359	ASSEMBLY, LED LIGHT, OVEN	1	1
35	002636	SWITCH, ROTARY, CONV. FAN	1	-
35.1	014554	SERVICE, MS, 6-32 X .312, PH, PAN, SS, PKG 6	1	-
36	033922	SERVICE, CONTROLLER, TEMP, OVEN, ROBERTSHAW, ASSY	1	1
36.1	009265	PIN, SPRING, SLOTTED, STEEL, ZINC PLATED	1	1
37	004703	PROBE, TEMPERATURE, OVEN	1	1
37.1	011856	SERVICE, MS, 10-24 X .250, PH, TRUSS, SS, PKG 6	1	1

			HCO36	HSO36
Item No.	Part No.	DESCRIPTION	QTY	QTY
38	005514	ASSEMBLY, BRACKET, CONTROL BOX, OVEN	1	1
38.1	014381	SERVICE, SMS, TEK, #10 X 1/2", ZN, PKG 6	1	1
39	001128	SLIDES, FULL EXTENSION, 16"	1	1
	012840	SLIDE, FULL EXTENSION, 16, KING	1	1
39.1	014555	SERVICE, MS, 8-32 X 1/4, SLOT, PAN, SS, PKG 6	1	1
40	005493	ASSEMBLY, BOX, CONTROL, OVEN	1	1
40.1	005486	BUSHING, SNAP, .75 ID, NYLON	2	2
41	002956	RETAINER, CONTROL BOX, OVEN	1	1
42	002961	SUPPORT, CONTROL BOX, OVEN	1	1
43	014381	SERVICE, SMS, TEK, #10 X 1/2", ZN, PKG 6	1	1
44	003456	CAPACITOR, 12UF, CONVECTION OVEN	1	-
44.1	014558	SERVICE, NUT, HEX, M8 X 1.25MM, ZN, PKG 6	1	-
45	003458	CAPACITOR, 30UF, CONVECTION OVEN	1	-
45.1	014558	SERVICE, NUT, HEX, M8 X 1.25MM, ZN, PKG 6	1	-
46	001375	BOARD, CONTROL, OVEN, RAM4	1	1
46.1	014557	SERVICE, MS, 8-32 X .75, PH, PAN, SS, PKG 4	1	1
47	005869	CORD, POWER, 9FT, 3 BLADE PLUG	1	1
48	005881	WELD ASSEMBLY, OVEN RACK	2	2
49	000716	RACK, OVEN, 36"	2	2
50	000549	PAN, BOTTOM, OVEN	1	1
51	033934	SERVICE, KIT, Z BRACKET, DRIP TRAY, OVEN	1	1
52	009960	PLATE, STEEL, BOTTOM, OVEN	1	1
53	013958	SERVICE, HB, 1/4-20 X 1.0, SS, PKG 8	1	1
54	004144	GUARD, FAN, SS, 5.91"	1	-
54.1	011709	SERVICE, NUT, ACORN, 8-32 X 5/16", SS, PKG 6	1	-
55	005940	ASSEMBLY, PANEL, BACK, CAVITY, CO	1	-
	000541	PANEL, BACK, CAVITY, STANDARD	-	1
55.1	012252	SERVICE, MS, 10-24 X .750, PH, TRUSS, SS, PKG 2	3	3
56	001493	PLATE, MOUNTING, MOTOR, CONVECTION	1	-
	002075	PLATE, COVER, OVEN, STANDARD	-	1
56.1	012252	SERVICE, MS, 10-24 X .750, PH, TRUSS, SS, PKG 2	2	2
56.2	006103	SHIELD, AIR, OVEN, CONVECTION	1	-

Item No.	Part No.	DESCRIPTION	HCO36 QTY	HSO36 QTY
57	001496	HANDLE, ASSEMBLY, MOTOR, CONVENTION	2	-
58	016296	MOUNTING, MOTOR, CONVECTION, W/A	1	-
59	013303	SERVICE, HB, 1/4-20 X .50, ZN, PKG 8	1	-
60	001481	MOTOR, FLOWER, OVEN, CONVENTION	1	-
61	002965	REGULATOR, STRAIGHT-THRU, 3/4"NPT, NG	1	1
	004161	REGULATOR, STRAIGHT-THRU, 3/4"NPT, LP	1	1
	004163	REGULATOR, STRAIGHT-THRU, 1"NPT, NG	1	1
	004162	REGULATOR, STRAIGHT-THRU, 1"NPT, LP	1	1
62	000486	CASTER, SWIVEL, ADJUSTABLE, 3", W/O BRAKE	2	2
63	001227	CASTER, SWIVEL, ADJUSTABLE, 3", W/ BRAKE	2	2
64	000428	ADJUSTABLE LEG, 6"	4	4
65	000267	PLATE, MOUNTING, LEG	4	4
66	009164	COVER, CONTROL, OVEN	-	-
67	004466	ASSEMBLY, KICK PLATE, OVEN	1	1
67.1	034234	SERVICE, SB, 1/4-20 X 5/16 DIA X 1/4L, SS, PKG 2	1	1
67.2	034235	SERVICE, NUT, NYLOK, #10-24, SS, PKG 4	1	1
67.3	017414	WIRE ROPE LANYARD, 12" EYE-TO-EYE, 3/64" DIA ROPE, SS UNCOATED	1	1
67.4	001545	SERVICE, MS, 10-24 X 1/2, PH, PAN, SS, PKG 6	1	1
67.5	015371	SERVICE, MAGNET, 3/4 DIA, KIT	1	1
67.5.1	034195	SERVICE, NUT, NYLOK, #6-32, SS, PKG 4	1	1
67.6	010202	SERVICE, WSH, FLAT, #8 (.174 X .438 X .031), SS, PKG 6	1	1
68	005867	HARNESS, WIRE, CONVECTION OVEN (NOT SHOWN)	1	-
	005866	HARNESS, WIRE, STANDARD OVEN (NOT SHOWN)	-	1
69	014554	SERVICE, MS, 6-32 X .312, PH, PAN, SS, PKG 6	1	1
70	015530	FAN, CONVECTION, 36" RANGE (AFTER 09/22)	1	-
71	017917	BLADE, CONV FAN, 152MM (AFTER 09/22)	1	-
72	017918	NUT, HEX, 1/4-28, CONV FAN, RANGE (AFTER 09/22)	1	-
73	018860	WASHER, FLAT, M6 (AFTER 09/22)	1	-
74	044998	HARNESS, WIRE, CONVECTION OVEN, SMALL MOTOR (AFTER 09/22) - (NOT SHOWN)	1	-