

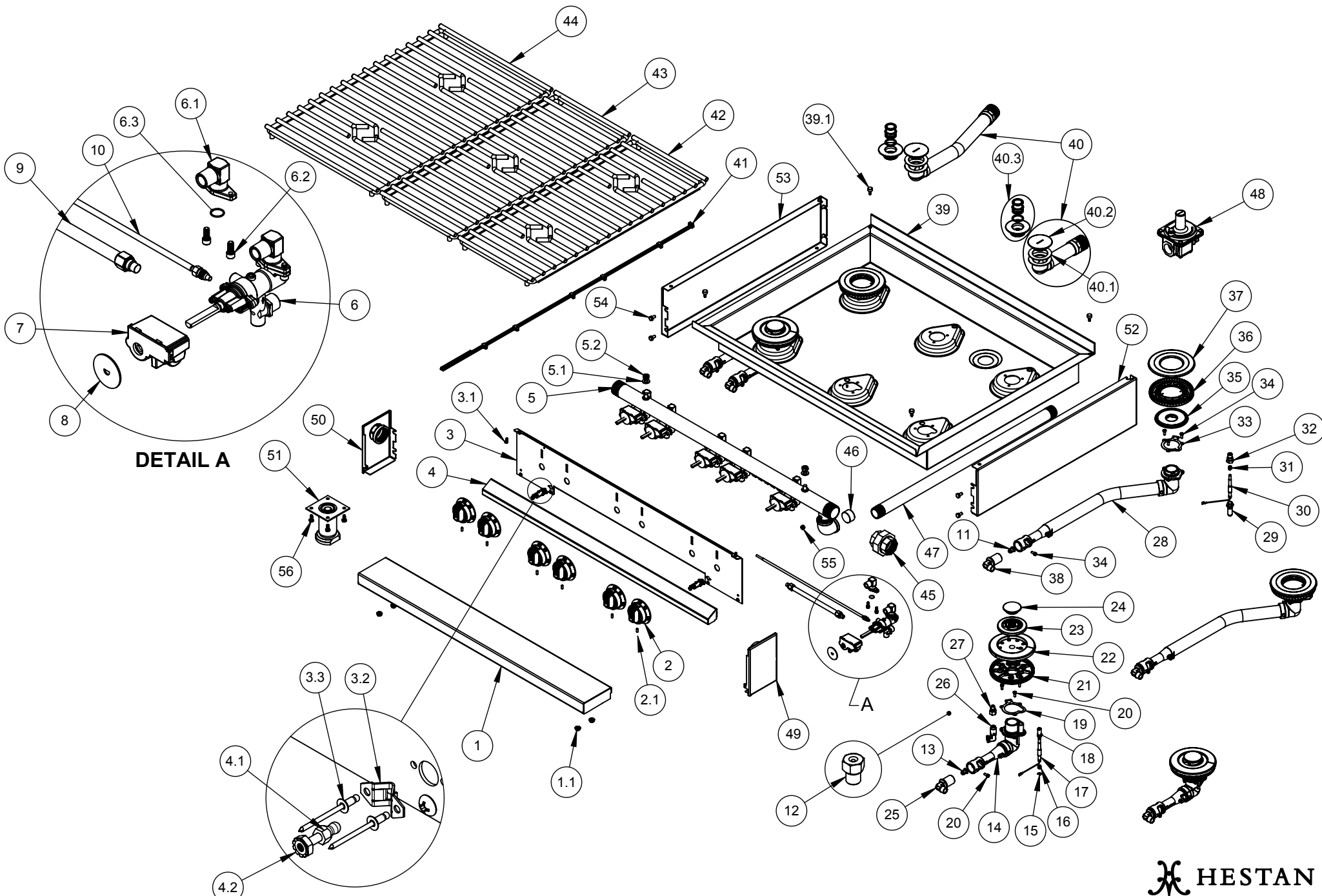
Commercial Service Parts

SEALED BURNER - MIXED (HMB)

Hestan Commercial Corporation
3375 E. La Palma Ave.
Anaheim, CA 92806
(888) 905-7463

RETAIN THIS FOR FUTURE REFERENCE

Revised: Apr. 23, 2021
Rev. C



HESTAN

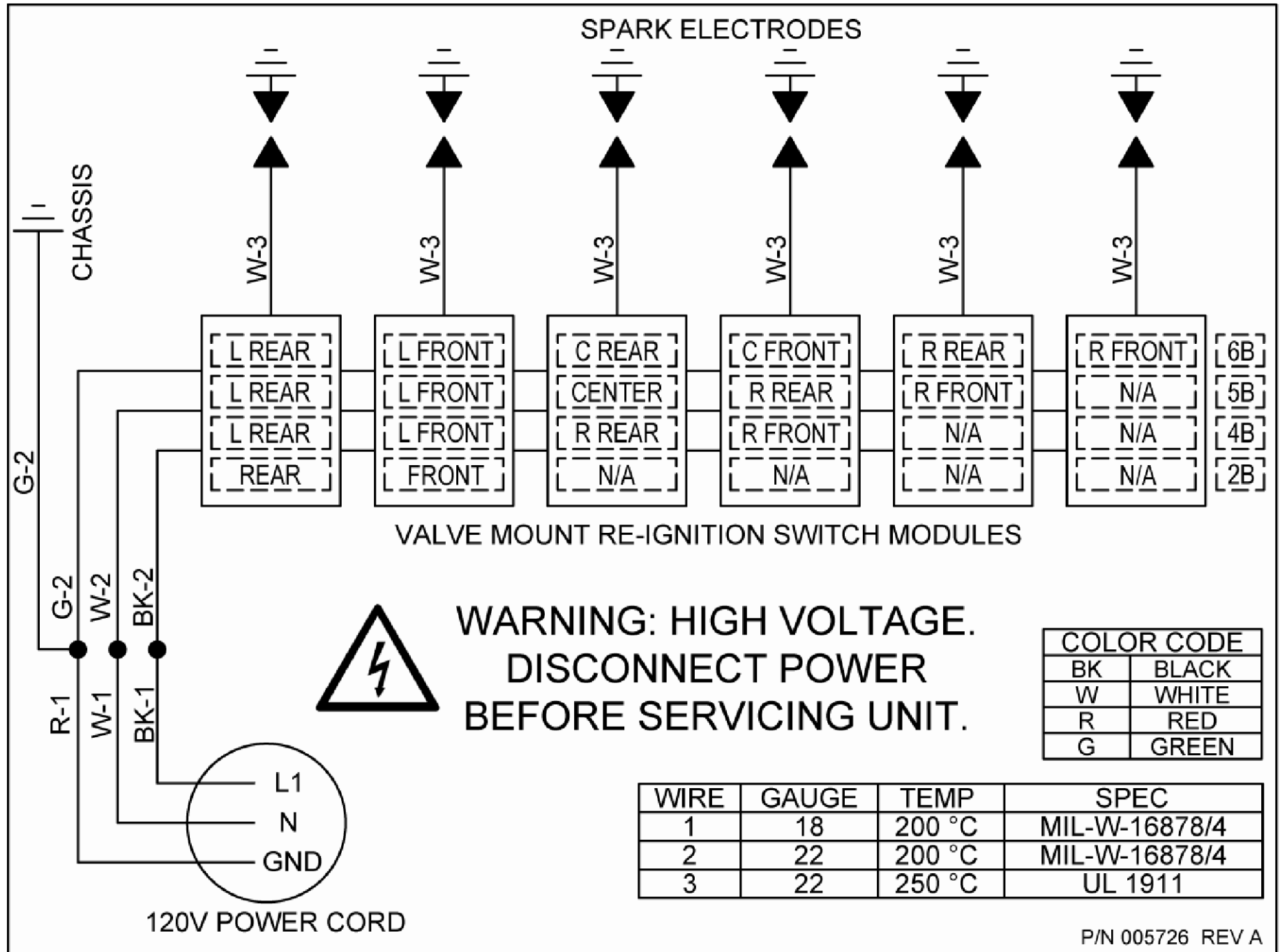
SERVICE, SEALED BURNER

DESCRIPTION

DRAWING N°

HMBXXX-SERVICE

SERVICE PARTS, Open Burner, Mixed W/Spark Ign., Wiring Diagram



SEALED BURNER - SERVICE PARTS LIST

Item No.	Part No.	DESCRIPTION	HMB122	HMB182	HMB244	HMB364	HMB365	HMB366
			QTY	QTY	QTY	QTY	QTY	QTY
1	003659	PLATE SHELF, 12, W/A	1	-	-	-	-	-
	003660	PLATE SHELF, 18, W/A	-	1	-	-	-	-
	003662	PLATE SHELF, 24, W/A	-	-	1	-	-	-
	003664	PLATE SHELF, 36, W/A	-	-	-	1	1	1
	018046	PLATE SHELF, 6" EXTENDED, WA, 12	1	-	-	-	-	-
	034423	PLATE SHELF, 6" EXTENDED, WA, 18	-	1	-	-	-	-
	034424	PLATE SHELF, 6" EXTENDED, WA, 24	-	-	1	-	-	-
	006053	PLATE SHELF, 6" EXTENDED, WA, 36	-	-	-	1	1	1
	034428	PLATE SHELF, 8" EXTENDED, WA, 12	1	-	-	-	-	-
	034427	PLATE SHELF, 8" EXTENDED, WA, 18	-	1	-	-	-	-
	034426	PLATE SHELF, 8" EXTENDED, WA, 24	-	-	1	-	-	-
	006069	PLATE SHELF, 8" EXTENDED, WA, 36	-	-	-	1	1	1
	1.1	012685	SERVICE, NUT, LOCK, SERRATED FLANGE, 1/4-20, PKG 4	1	1	1	1	1
2	001336	KNOB ASSY., SEALED BURNER, 100%	2	2	4	4	5	6
2.1	014301	SERVICE, SETSCREW, #10-24 X .875, CONE PT., SS, PKG 6	1	1	1	1	1	1
3	004742	PANEL, CONTROL, SEALED BURNER, 12 - INDICATOR	1	-	-	-	-	-
	004716	PANEL, CONTROL, SEALED BURNER, 18 - INDICATOR	-	1	-	-	-	-
	004648	PANEL, CONTROL, SEALED BURNER, 24 - INDICATOR	-	-	1	-	-	-
	004238	PANEL, CONTROL, SEALED BURNER, 364 - INDICATOR	-	-	-	1	-	-
	004237	PANEL, CONTROL, SEALED BURNER, 365 - INDICATOR	-	-	-	-	1	-
004236	PANEL, CONTROL, SEALED BURNER, 366 - INDICATOR	-	-	-	-	-	1	
3.1	012672	SERVICE, SMS, 10-24 X 1/2, PH, PAN, TYPE F, SS, PKG 4	1	1	1	1	1	1
3.2	012752	RECEPTACLE, BALL STUD, 18LB PULL, PKG 4	1	1	1	1	1	1
3.3	012751	POP RIVET, CSINK, 1/8DIA X .275L, SS, PKG 8	1	1	1	1	1	1
4	001410	CHIN, CONTROL PANEL, W/O HANDLE, 12" WA.	1	-	-	-	-	-
	001408	CHIN, CONTROL PANEL, W/O HANDLE, 18" WA.	-	1	-	-	-	-
	001582	CHIN, CONTROL PANEL, W/O HANDLE, 24" WA.	-	-	1	-	-	-
	001194	CHIN, CONTROL PANEL, W/O HANDLE, 36" WA.	-	-	-	1	1	1
4.1	012687	BALL STUD, MALE, 6-32UNC, .052-.078 PNT THK, P116-447-8-3B, PKG 4	1	1	1	1	1	1
4.2	012688	SERVICE, NUT, KEPS, 6-32, SS, PKG 4	1	1	1	1	1	1
5	001562	MANIFOLD, SEALED BURNER, 12-2, WA	1	-	-	-	-	-
	004713	MANIFOLD, SEALED BURNER, 18-2, WA	-	1	-	-	-	-
	004650	MANIFOLD, SEALED BURNER, 24-4, WA	-	-	1	-	-	-
	003897	MANIFOLD, SEALED BURNER, 36-4, WA	-	-	-	1	-	-

Item No.	Part No.	DESCRIPTION	HMB122	HMB182	HMB244	HMB364	HMB365	HMB366
			QTY	QTY	QTY	QTY	QTY	QTY
	001896	MANIFOLD, SEALED BURNER, 36-5, WA	-	-	-	-	1	-
	000257	MANIFOLD, SEALED BURNER, 36-6, WA	-	-	-	-	-	1
5.1	012679	SERVICE, WSH, FLAT, 3/8 SAE, PKG 4	1	1	1	1	1	1
5.2	012681	SERVICE, NUT, 3/8-16 X .25 HT, ZN, PKG 4	1	1	1	1	1	1
6	004921	VALVE, DUAL FLOW, SEALED BURNER, ASSY.	1	1	2	2	3	3
	004922	VALVE, SINGLE FLOW, SEALED BURNER, ASSY.	1	1	2	2	2	3
6.1	002207	ELBOW, FLANGE, VALVE, SEALD BURNER ASSY.	1	1	1	1	1	1
6.2	014650	SERVICE, SHCS, 12-24 X .5, SS, PKG 6	1	1	1	1	1	1
6.3	014646	SERVICE, O-RING, SILICONE, 11.5MM IDX1.5MM THK, PKG 6	1	1	1	1	1	1
7	000530	MODULE, EGO RE-IGNITER, SINGLE POINT, IRIS COOKTOP, 120V/60Hz/5mA	2	2	4	4	5	6
8	004029	SHIELD, SWITCH/MODULE	2	2	4	4	5	6
9	005682	HOSE, FLEX, 3/8 OD, 12" F-F, NUT/FERRULE	2	2	4	4	5	6
10	005692	HOSE, FLEX, 3/16 OD, 18", M-M, NUT/FERRULE	1	1	2	2	3	3
11	002039	ORIFICE, #42, MAIN, SEALED BURNER, SF-NG	1	1	2	2	2	3
	004925	ORIFICE, #54, MAIN, SEALED BURNER-LP	1	1	2	2	2	3
12	002062	ORIFICE, #74, SIMMER, SEALED BURNER-NG	1	1	2	2	3	3
	004928	ORIFICE, #83, SIMMER, SEALED BURNER-LP	1	1	2	2	3	3
13	005681	ORIFICE, #43, MAIN, SEALED BURNER, DF-NG	1	1	2	2	3	3
	004925	ORIFICE, #54, MAIN, SEALED BURNER-LP	1	1	2	2	3	3
14	002060	ELBOW, DUAL BURNER, ASSY.	1	1	2	2	3	3
15	002064	C-CLIP, IGNITER, SEALED BURNER, DF	1	1	2	2	3	3
16	002040	SPRING, IGNITER, SEALED BURNER, DF	1	1	2	2	3	3
17	002047	IGNITER ASSY, SEALED BURNER, DF	1	1	2	2	3	3
18	004924	SHAFT, IGNITER, DUAL FLOW, SEALED BURNER	1	1	2	2	3	3
19	005680	GASKET, MAIN, SEALED BURNER, DF	1	1	2	2	3	3
20	014390	SERVICE, SCREW, MOUNTING, M5X12, PKG 4	1	1	2	2	3	3
21	002069	BURNER BASE, OUTER, SEALED BURNER, DF	1	1	2	2	3	3
22	002070	BURNER HEAD, OUTER, SEALED BURNER, DF	1	1	2	2	3	3
23	002071	BURNER BASE, INNER, SEALED BURNER, DF	1	1	2	2	3	3
24	002072	BURNER HEAD, INNER, SEALED BURNER, DF	1	1	2	2	3	3
25	002048	JET HOLDER, MAIN, SEALED BURNER, SF/DF	1	1	2	2	3	3
26	002066	JET HOLDER, SIMMER, SEALED BURNER	1	1	2	2	3	3
27	002059	NUT, JET HOLDER, SIMMER, SEALED BURNER, DF	1	1	2	2	3	3
28	002034	ELBOW, SINGLE BURNER, ASSY.	1	1	2	2	3	3
29	002037	SHAFT, IGNITER, SEALED BURNER, SF	1	1	2	2	3	3
30	005013	IGNITER ASSY, SEALED BURNER, SF	1	1	2	2	3	3
31	014673	SERVICE, SPRING, IGNITER, SEALED BURNER, DF, PKG 4	1	1	1	1	1	1

Item No.	Part No.	DESCRIPTION	HMB122	HMB182	HMB244	HMB364	HMB365	HMB366
			QTY	QTY	QTY	QTY	QTY	QTY
32	002038	NUT IGNITER, SEALED BURNER, SF	1	1	2	2	2	3
33	002056	GASKET, MAIN, SEALED BURNER, SF	1	1	2	2	2	3
34	014390	SERVICE, SCREW, MOUNTING, M5X12, PKG 4	1	1	2	2	2	3
35	002057	BURNER BASE, SEALED BURNER SF	1	1	2	2	2	3
36	002055	HEAD, BURNER, SEALED BURNER, SF	1	1	2	2	2	3
37	002058	BURNER RING, SEALED BURNER, SF	1	1	2	2	2	3
38	002048	JET HOLDER, MAIN, SEALED BURNER, SF/DF	1	1	2	2	2	3
39	009965	BOWL, SEALED BURNER, 12", WA (NG)	1	-	-	-	-	-
	001807	BOWL, SEALED BURNER, 18", WA (NG)	-	1	-	-	-	-
	001802	BOWL, SEALED BURNER, 24", WA (NG)	-	-	1	-	-	-
	009959	BOWL, SEALED BURNER, 36-4, WA (NG)	-	-	-	1	-	-
	009954	BOWL, SEALED BURNER, 36-5, WA (NG)	-	-	-	-	1	-
	009947	BOWL, SEALED BURNER, 36-6, WA (NG)	-	-	-	-	-	1
	016704	BOWL, SEALED BURNER, 12"-2, WELD NUT, WA, LP	1	-	-	-	-	-
	016705	BOWL, SEALED BURNER, 18"-2, WELD NUT, WA, LP	-	1	-	-	-	-
	016706	BOWL, SEALED BURNER, 24"-4, WELD NUT, WA, LP	-	-	1	-	-	-
	016707	BOWL, SEALED BURNER, 36"-4, WELD NUT, WA, LP	-	-	-	1	-	-
016708	BOWL, SEALED BURNER, 36"-5, WELD NUT, WA, LP	-	-	-	-	1	-	
016709	BOWL, SEALED BURNER, 36"-6, WELD NUT, WA, LP	-	-	-	-	-	1	
39.1	014376	SERVICE, SCREW COVER, SEALED BURNER, WA, PKG 6	1	1	1	1	1	1
40	001047	DRAIN, 1 1/2", SEALED BURNER, ASSY.	-	1	1	1	1	1
	004747	DRAIN, 1 1/2", SEALED BURNER, 12" ASSY.	1	-	-	-	-	-
40.1	001041	WASHER, DRAIN, SEALED BURNER	1	1	1	1	1	1
40.2	001037	PLUG, DRAIN, SEALED BURNER	1	1	1	1	1	1
40.3	001262	PLUG, DRAIN, OVERFLOW, SEALED BURNER	1	1	1	1	1	1
	001291	O-RING, SIZE 214, SILICONE, OVERFLOW DRAIN PLUG	1	1	1	1	1	1
	001329	STRAINER, CUSTOM, DRAIN, SEALED BURNER	1	1	1	1	1	1
41	014158	SERVICE, HARNESS, WIRE, SEALED BURNER, 18-2	1	1	-	-	-	-
	014162	SERVICE, HARNESS, WIRE, SEALED BURNER, 36-4	-	-	1	1	-	-
	014169	SERVICE, HARNESS, WIRE, SEALED BURNER, 36-5	-	-	-	-	1	-
	014171	SERVICE, HARNESS, WIRE, SEALED BURNER, 36-6	-	-	-	-	-	1
42	001290	GRATE, SEALED BURNER, COMBO, 12" ASSY.	1	-	2	-	2	3
43	004332	GRATE, SEALED BURNER, COMBO, 5 BURNER, ASSY.	-	-	-	-	1	-
44	004333	GRATE, SEALED BURNER, COMBO, 18" ASSY.	-	1	-	2	-	-
45	000254	UNION, 1.25" NPT - 5P594	1	1	1	1	1	1
46	000258	PLUG, SQUARE SOCKET, 1" NPT	1	1	1	1	1	1
47	AHRGC	REAR GAS CONNECTION, 1" NPT	1	1	1	1	1	1

Item No.	Part No.	DESCRIPTION	HMB122	HMB182	HMB244	HMB364	HMB365	HMB366
			QTY	QTY	QTY	QTY	QTY	QTY
48	004163	REGULATOR, STRAIGHT-THRU, 1"NPT, NG	1	1	1	1	1	1
	004162	REGULATOR, STRAIGHT-THRU, 1"NPT, LP	1	1	1	1	1	1
	004165	REGULATOR, STRAIGHT-THRU, 1-1/4"NPT, NG	1	1	1	1	1	1
	004164	REGULATOR, STRAIGHT-THRU, 1-1/4"NPT, LP	1	1	1	1	1	1
49	AHCCR	CAP, MANIFOLD, RIGHT, ASSY	1	1	1	1	1	1
50	AHCCL	CAP, MANIFOLD, LEFT, ASSY	1	1	1	1	1	1
51	000470	ADJUSTABLE LEG, ASSY, 4"	4	4	4	4	4	4
52	000122	PANEL, SIDE, RH, RANGETOP	1	1	1	1	1	1
53	000501	PANEL, SIDE, LH, RANGETOP	1	1	1	1	1	1
54	013303	SERVICE, HB, 1/4-20 X .5, ZN, PKG 8	1	1	1	1	1	1
55	000360	PLUG, HEX SOCKET, 1/8" NPT	1	1	1	1	1	1
56	014191	SERVICE, HB, 1/4-20 X .625, SS, PKG 4	4	4	4	4	4	4