

*Commercial Service Parts*

**SAUTE STATION (HSS)**

Hestan Commercial Corporation  
3375 E. La Palma Ave.  
Anaheim, CA 92806  
(888) 905-7463

RETAIN THIS FOR FUTURE REFERENCE

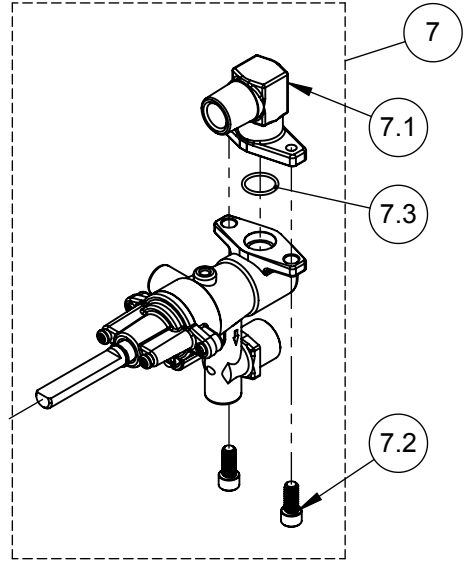
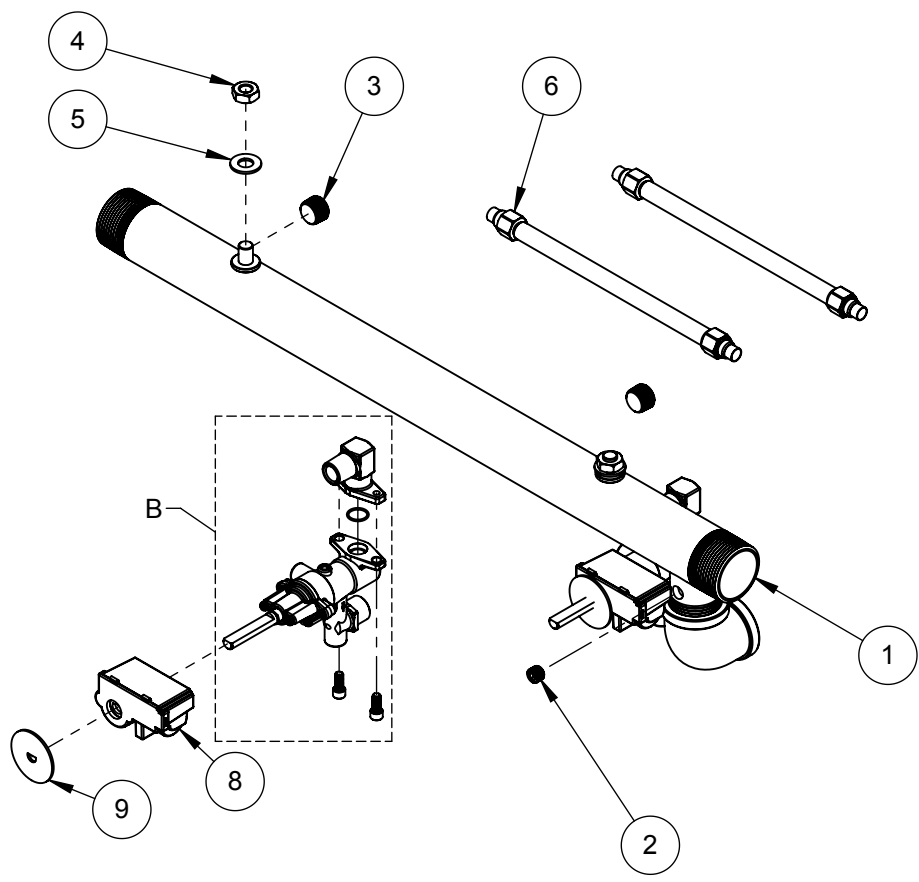
Revised: June 1, 2023  
Rev. D



# SAUTE STATION (SPARK) - SERVICE PARTS LIST

Item No.	Part No.	DESCRIPTION	HSS242	HSS363	HSS484	HSS605	HSS726
			QTY	QTY	QTY	QTY	QTY
1	014175	PANEL, CONTROL, SAUTE, PILOT, 24-2 - INDICATOR	1	-	-	-	-
	012236	PANEL, CONTROL, SAUTE, PILOT, 36-3 - INDICATOR	-	1	-	-	-
	014216	PANEL, CONTROL, SAUTE, PILOT, 48-4 - INDICATOR	-	-	1	-	-
	014248	PANEL, CONTROL, SAUTE, PILOT, 60-5 - INDICATOR	-	-	-	1	-
	014227	PANEL, CONTROL, SAUTE, PILOT, 72-6 - INDICATOR	-	-	-	-	1
2	001582	CHIN, CONTROL PANEL, W/O HANDLE, 24, WA	1	-	-	-	-
	001194	CHIN, CONTROL PANEL, W/O HANDLE, 36, WA	-	1	-	-	-
	005086	CHIN, CONTROL PANEL, W/O HANDLE, 48", WA	-	-	1	-	-
	014244	CHIN, CONTROL PANEL, W/O HANDLE, 60" (24-36)	-	-	-	1	-
	006856	CHIN, CONTROL PANEL, W/O HANDLE, 72", WA	-	-	-	-	1
3	001816	SERVICE, SMS, #10-24 X 12, PH, PAN, TYPE F, SS, PKG 10	1	1	1	2	2
4	012752	SERVICE, RECEPTACLE, BALL STUD, 18LB PULL, C1663-028-3B, PKG 4	1	1	1	1	1
5	012687	SERVICE, BALL STUD, MALE, 6-32UNC, .052-.078 PNL THK, PKG 4	1	1	1	1	1
6	012751	SERVICE, POP RIVET, CSINK, 1/8 DIA X .275L, SS, PKG 8	1	1	1	1	1
7	012688	SERVICE, NUT, KEPS, 6-32, SS, PKG 4	1	1	1	1	1
8	010662	ELBOW, SINGLE FLOW, FRONT, ASSY	2	3	4	5	6
9	002055	HEAD, BURNER, SEALED BURNER, SF	2	3	4	5	6
10	002058	BURNER RING, SEALED BURNER, SF	2	3	4	5	6
11	002057	BURNER BASE, SEALED BURNER, SF	2	3	4	5	6
12	005013	IGNITER ASSY, SEALED BURNER, SF	2	3	4	5	6
13	002038	NUT, IGNITER, SEALED BURNER, SF	2	3	4	5	6
14	014673	SERVICE, SPRING, IGNITER, SEALED BURNER, DF, PKG 4	1	1	1	2	2
15	002037	SHAFT, IGNITER, SEALED BURNER, SF	2	3	4	5	6
16	002041	SERVICE, SCREW, MOUNTING, M5X12, SEALED BURNER, PKG 4	2	3	4	5	6
17	002056	GASKET, MAIN, SEALED BURNER, SF	2	3	4	5	6
18	002048	JET HOLDER, MAIN, SEALED BURNER, SF/DF	2	3	4	5	6
19	006640	ORIFICE, #44, MAIN, SEALED BURNER, DF-NG1 (FOR NG)	2	3	4	5	6
	010343	ORIFICE, #55, MAIN, SEALED BURNER, DF-NG1 (FOR LP)	2	3	4	5	6

Item No.	Part No.	DESCRIPTION	HSS242	HSS363	HSS484	HSS605	HSS726
			QTY	QTY	QTY	QTY	QTY
20	005785	SCREW COVER, SEALED BURNER, WA	5	5	10	10	10
21	011952	BOWL, SEALED BURNER, HALF, FRONT, SF, 242, WA	1	-	2	-	-
	007475	BOWL, SEALED BURNER, HALF, FRONT, SF, 363, WA	-	1	-	1	2
22	000130	KNOB ASSY, ON-OFF, 100%	2	3	4	5	6
22.1	014299	SERVICE, SETSCREW, #10-24 X 1.000, CUP PT, SS, PKG 6	1	1	1	1	2
23	012218	PANEL, SIDE, RH, RANGETOP, SAUTE	1	1	1	1	1
24	012219	PANEL, SIDE, LH, RANGETOP, SAUTE	1	1	1	1	1
25	013303	SERVICE, HB, 1/4-20 X .50, ZN, PKG 8	1	1	1	1	1
26	000470	ADJUSTABLE LEG, ASSY, 4"	4	4	4	4	4
27	014191	SERVICE, HB, 1/4-20 X .625, SS, PKG 4	4	4	4	4	4
28	004163	REGULATOR, STRAIGHT-THRU, 1"NPT, NG	1	1	1	1	1
	004162	REGULATOR, STRAIGHT-THRU, 1"NPT, LP	1	1	1	1	1
	004165	REGULATOR, STRAIGHT-THRU, 1-1/4"NPT, NG	1	1	1	1	1
	004164	REGULATOR, STRAIGHT-THRU, 1-1/4"NPT, LP	1	1	1	1	1
29	AHCCL	CAP, MANIFOLD, LEFT, ASSY.	1	1	1	1	1
30	AHCCR	CAP, MANIFOLD, RIGHT, ASSY.	1	1	1	1	1
31	000254	UNION, 1.25", NPT, SET	1	1	1	1	1
32	014676	SERVICE, GRATE, SEALED BURNER, COMBO, HALF, 12", KIT	2	2	2	2	2
32.1	014398	SERVICE, SHCS, #10-24 X .313, SS, PKG 4	2	2	2	2	2
33*	014202	HARNESS, WIRE, SEALED BURNER, SAUTE, 244 (NOT SHOWN)	1	-	-	-	-
	014134	HARNESS, WIRE, SEALED BURNER, SAUTE, 363 (NOT SHOWN)	-	1	-	-	-
	014222	HARNESS, WIRE, SEALED BURNER, SAUTE, 484 (NOT SHOWN)	-	-	1	-	-
	014237	HARNESS, WIRE, SEALED BURNER, SAUTE, 605 (NOT SHOWN)	-	-	-	1	-
	014230	HARNESS, WIRE, SEALED BURNER, SAUTE, 726 (NOT SHOWN)	-	-	-	-	1



DETAIL B

 HESTAN

**SERVICE, MANIFOLD, GAS  
ASSY, SAUTE**

DESCRIPTION

DRAWING NO

**A1**

# A1 - GAS MANIFOLD ASSEMBLY - SAUTE STATION (SPARK)

Item No.	Part No.	DESCRIPTION	HSS242	HSS363	HSS484	HSS605	HSS726
			QTY	QTY	QTY	QTY	QTY
1	004650	MANIFOLD, SEALED BURNER, 24, WA	1	-	2	1	-
	000257	MANIFOLD, SEALED BURNER, 366, WA	-	1	-	1	2
2	000360	PLUG, HEX SOCKET, 1/8" NPT	1	1	2	2	2
3	014123	PLUG, HEX SOCKET, 3/8" NPT	2	3	4	5	6
4	012681	SERVICE, NUT, 3/8-16 X .25 HT, ZN, PKG 4	1	1	1	1	1
5	012679	SERVICE, WSH, FLAT, 3/8 SAE, ZN, PKG 4	1	1	1	1	1
6	005682	HOSE, FLEX, 3/8 OD, 12", F-F, NUT/FERRULE	2	3	4	5	6
7	004922	VAVLE, SINGLE FLOW, SEALED BURNER, ASSY	2	3	4	5	6
7.1	002207	ELBOW, FLANGE, VALVE, SEALED BURNER, ASSY	2	3	4	5	6
7.2	014650	SERVICE, SHCS, 12-24 X .5, SS, PKG 6	1	1	2	2	2
7.3	014646	SERVICE, O-RING, SILICONE, 11.5MM ID X 1.5MM THK, PKG 6	1	1	1	1	1
8	000530	MODULE, EGO RE-IGNITER, SINGLE POINT, IRIS COOKTOP, 120V/60Hz/5mA	2	3	4	5	6
9	004029	SHIELD, SWITCH/MODULE	2	3	4	5	6