

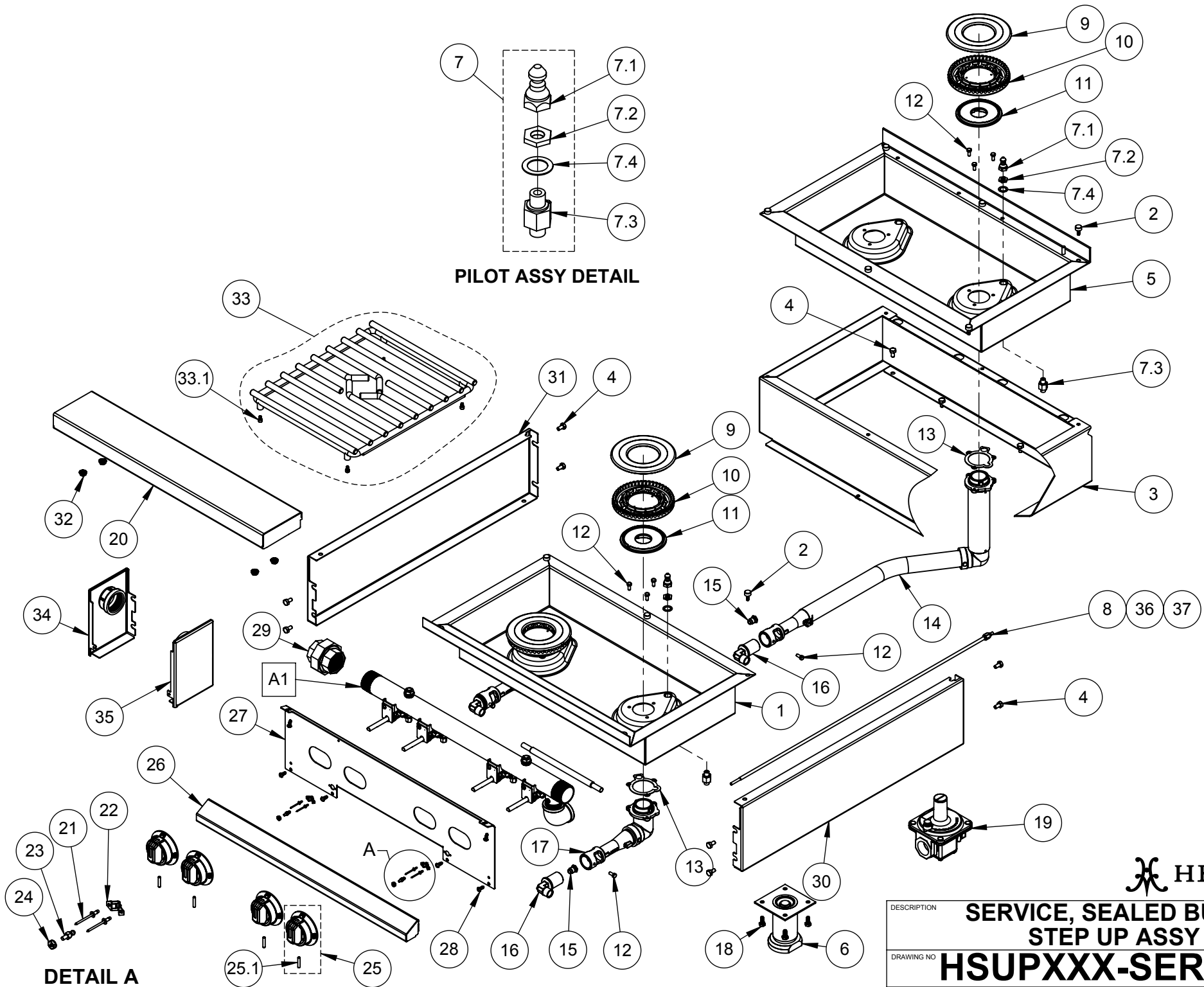
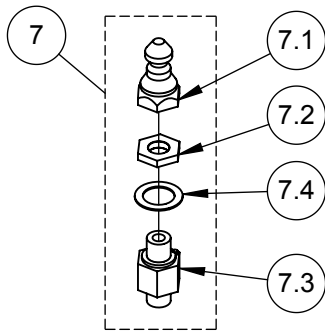
Commercial Service Parts

SEALED BURNER (HSUP)

Hestan Commercial Corporation
3375 E. La Palma Ave.
Anaheim, CA 92806
(888) 905-7463

RETAIN THIS FOR FUTURE REFERENCE

Revised: May 15, 2020



HESTAN

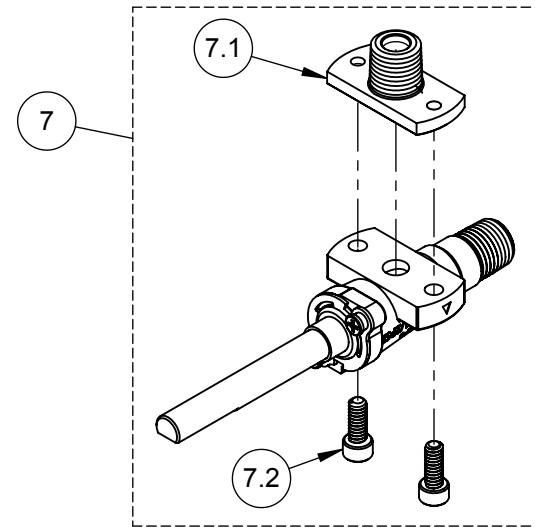
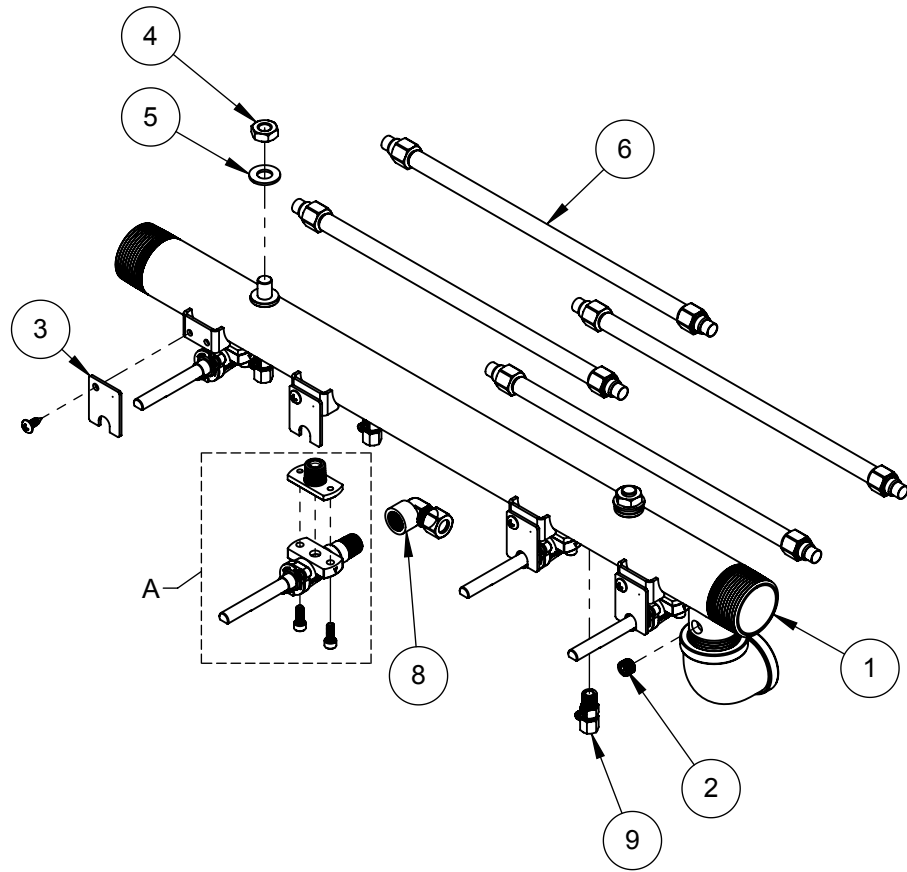
DESCRIPTION **SERVICE, SEALED BURNER, STEP UP ASSY - PILOT**
 DRAWING NO **HSUPXXX-SERVICE**

DETAIL A

STEP UP SEALED BURNER (PILOT) - SERVICE PARTS LIST

| Item No. | Part No. | DESCRIPTION | HSUP244 | HSUP366 |
|----------|----------|--|---------|---------|
| | | | QTY | QTY |
| 1 | 011952 | BOWL, SEALED BURNER, HALF, FRONT, SF, 242, WA | 1 | - |
| | 007475 | BOWL, SEALED BURNER, HALF, FRONT, SF, 363, WA | - | 1 |
| 2 | 014376 | SERVICE, SCREW COVER, SEALED BURNER, PKG 6 | 2 | 2 |
| 3 | 013919 | BOX, STEP UP, 24, WA | 1 | - |
| | 009061 | BOX, STEP UP, 36, WA | - | 1 |
| 4 | 013303 | SERVICE, HB, 1/4-20 X .50, ZN, PKG. 8 | 2 | 2 |
| 5 | 013927 | BOWL, SEALED BURNER, HALF, REAR, SF, 244, WELD PIN, WA | 1 | - |
| | 013895 | BOWL, SEALED BURNER, HALF, REAR, SF, 363, WELD PIN, WA | - | 1 |
| 6 | 000470 | ADJUSTABLE LEG, ASSY, 4" | 4 | 4 |
| 7 | 009106 | PILOT, SEALED BURNER, ASSY | 4 | 6 |
| 7.1 | 008771 | PILOT, SEALED BURNER | 4 | 6 |
| 7.2 | 014391 | SERVICE, NUT, LOCK, PILOT, SEALED BURNER, PKG 3 | 2 | 2 |
| 7.3 | 014396 | SERVICE, ADAPTER, PILOT, SEALED BURNER, KIT | 4 | 6 |
| 7.4 | 014392 | SERVICE, WASHER, .500 ID X .750 OD X .025 THK, PKG 3 | 2 | 2 |
| 8 | 011180 | HOSE, FLEX, 3/16 OD, 30", BLANK-F, NUT/FERRULE | 4 | 6 |
| 9 | 002058 | BURNER RING, SEALED BURNER, SF | 4 | 6 |
| 10 | 002055 | HEAD, BURNER, SEALED BURNER, SF | 4 | 6 |
| 11 | 002057 | BURNER BASE, SEALED BURNER, SF | 4 | 6 |
| 12 | 014390 | SERVICE, SCREW, MOUNTING, M5X12, SEALED BURNER, PKG 4 | 4 | 6 |
| 13 | 002056 | GASKET, MAIN, SEALED BURNER, SF | 4 | 6 |
| 14 | 007478 | ELBOW, VENTURI, STEP UP, SF, ASSY | 2 | 3 |
| 15 | 006640 | ORIFICE, #44, MAIN, SEALED BURNER, DF-NG1 | 4 | 6 |
| | 010343 | ORIFICE, #55, MAIN, SP, SEALED BURNER-LP | 4 | 4 |
| 16 | 002048 | JET HOLDER, MAIN, SEALED BURNER, SF/DF | 4 | 6 |
| 17 | 010662 | ELBOW, SINGLE FLOW, FRONT, ASSY | 2 | 3 |
| 18 | 014191 | SERVICE, HB, 1/4-20 X .625, SS, PKG 4 | 4 | 4 |
| 19 | 004163 | REGULATOR, STRAIGHT-THRU, 1"NPT, NG | 1 | 1 |
| | 004162 | REGULATOR, STRAIGHT-THRU, 1"NPT, LP | 1 | 1 |

| Item No. | Part No. | DESCRIPTION | HSUP244 | HSUP366 |
|----------|----------|--|---|---------|
| | | | QTY | QTY |
| 19 | 004165 | REGULATOR, STRAIGHT-THRU, 1-1/4"NPT, NG | 1 | 1 |
| | 004164 | REGULATOR, STRAIGHT-THRU, 1-1/4"NPT, LP | 1 | 1 |
| 20 | 003662 | PLATE SHELF, 24, W/A | 1 | - |
| | 003664 | PLATE SHELF, 36, W/A | - | 1 |
| | 034424 | PLATE SHELF, 6" EXTENDED, WA, 24 | 1 | - |
| | 006053 | PLATE SHELF, 6" EXTENDED, WA, 36 | - | 1 |
| | 034426 | PLATE SHELF, 8" EXTENDED, WA, 24 | 1 | - |
| | 006069 | PLATE SHELF, 8" EXTENDED, WA, 36 | - | 1 |
| | 21 | 012751 | SERVICE, POP RIVET, CSINK, 1/8 DIA X .275L, SS, PKG 8 | 1 |
| 22 | 012752 | SERVICE, RECEPTACLE, BALL STUD, 18LB PULL, C1663-028-3B, PKG 4 | 1 | 1 |
| 23 | 012687 | SERVICE, BALL STUD, MALE, 6-32UNC, .052-.078 PNL THK, PKG 4 | 1 | 1 |
| 24 | 012688 | SERVICE, NUT, KEPS, 6-32, SS, PKG 4 | 1 | 1 |
| 25 | 000130 | KNOB ASSY., SEALED BURNER, 100% | 4 | 6 |
| 25.1 | 014299 | SERVICE, SETSCREW, #10-24 X 1.000, CUP PT., SS, PKG 6 | 1 | 1 |
| 26 | 001582 | CHIN, CONTROL PANEL, W/O HANDLE, 24", WA | 1 | - |
| | 001194 | CHIN, CONTROL PANEL, W/O HANDLE, 36", WA | - | 1 |
| 27 | 011202 | PANEL, CONTROL, SP, ST, SU, 24-4 | 1 | - |
| | 009078 | PANEL, CONTROL, SP, ST, SU, 36-6 | - | 1 |
| 28 | 010242 | SERVICE, SMS, #10-24 X 1/2, PH, PAN, TYPE F, SS, PKG 10 | 1 | 1 |
| 29 | 000254 | UNION, 1.25" NPT - 44605K197 | 1 | 1 |
| 30 | 000122 | PANEL, SIDE, RH, RANGETOP | 1 | 1 |
| 31 | 000501 | PANEL, SIDE, LH, RANGETOP | 1 | 1 |
| 32 | 012685 | SERVICE, NUT, LCK, SERRATED FLG, 1/4-20, ZN, PKG 6 | 1 | 1 |
| 33 | 014676 | SERVICE, GRATE, SEALED BURNER, COMBO, HALF, 12", KIT | 4 | 6 |
| 33.1 | 014398 | SERVICE, SHCS, #10-24 X .313, SS, PKG 6 | 3 | 4 |
| 34 | AHCCCL | CAP, MANIFOLD, LEFT, ASSY | 1 | 1 |
| 35 | AHCCR | CAP, MANIFOLD, RIGHT, ASSY | 1 | 1 |
| 36 | 004827 | FERRULE, 3/16 COMP. | 4 | 6 |
| 37 | 004824 | NUT, 3/16 COMP. | 4 | 6 |



DETAIL A

 HESTAN

DESCRIPTION

**SERVICE, MANIFOLD, GAS
ASSY, STEP UP**

DRAWING NO

A1

A1 - GAS MANIFOLD ASSEMBLY - STEP UP SEALED BURNER (PILOT)

| | | | HSUP244 | HSUP366 |
|----------|----------|---|---------|---------|
| Item No. | Part No. | DESCRIPTION | QTY | QTY |
| 1 | 011172 | MANIFOLD, SP, 24-4, WA | 1 | - |
| | 009946 | MANIFOLD, SP, ST, SU, 36-6, WA | - | 1 |
| 2 | 000360 | PLUG, HEX SOCKET, 1/8" NPT | 1 | 1 |
| 3 | 001413 | BRACKET, VALVE ANTI-ROTATION, STD. | 4 | 3 |
| 4 | 012681 | SERVICE, NUT, 3/8-16 X .25, PKG 4 | 1 | 1 |
| 5 | 012679 | SERVICE, WSH, FLAT, 3/8 SAE (.406 X .812 X .065), ZN, PKG 4 | 1 | 1 |
| 6 | 005682 | HOSE, FLEX, 3/8 OD, 12", F-F, NUT/FERRULE | 4 | 6 |
| 7 | 015662 | KIT, VALVE, ON-OFF, FLANGE-MOUNT, A23-F | 4 | 6 |
| 7.1 | 004643 | FLANGED NIPPLE, 1/4 NPT | 4 | 6 |
| 7.2 | 012750 | SERVICE, SHCS, 10-24 X .500, SS, PKG 6 | 2 | 2 |
| 7.3 | 014103 | SERVICE, O-RING, FLANGED NIPPLE, PKG 6 | 1 | 1 |
| 8 | 002321 | ELBOW, ADAPTER, 1/4 NPT FEMALE X 3/8 CC | 4 | 6 |
| 9 | 000859 | VALVE, PILOT, 1/8NPT X 3/16 COMP., STRAIGHT | 4 | 6 |