



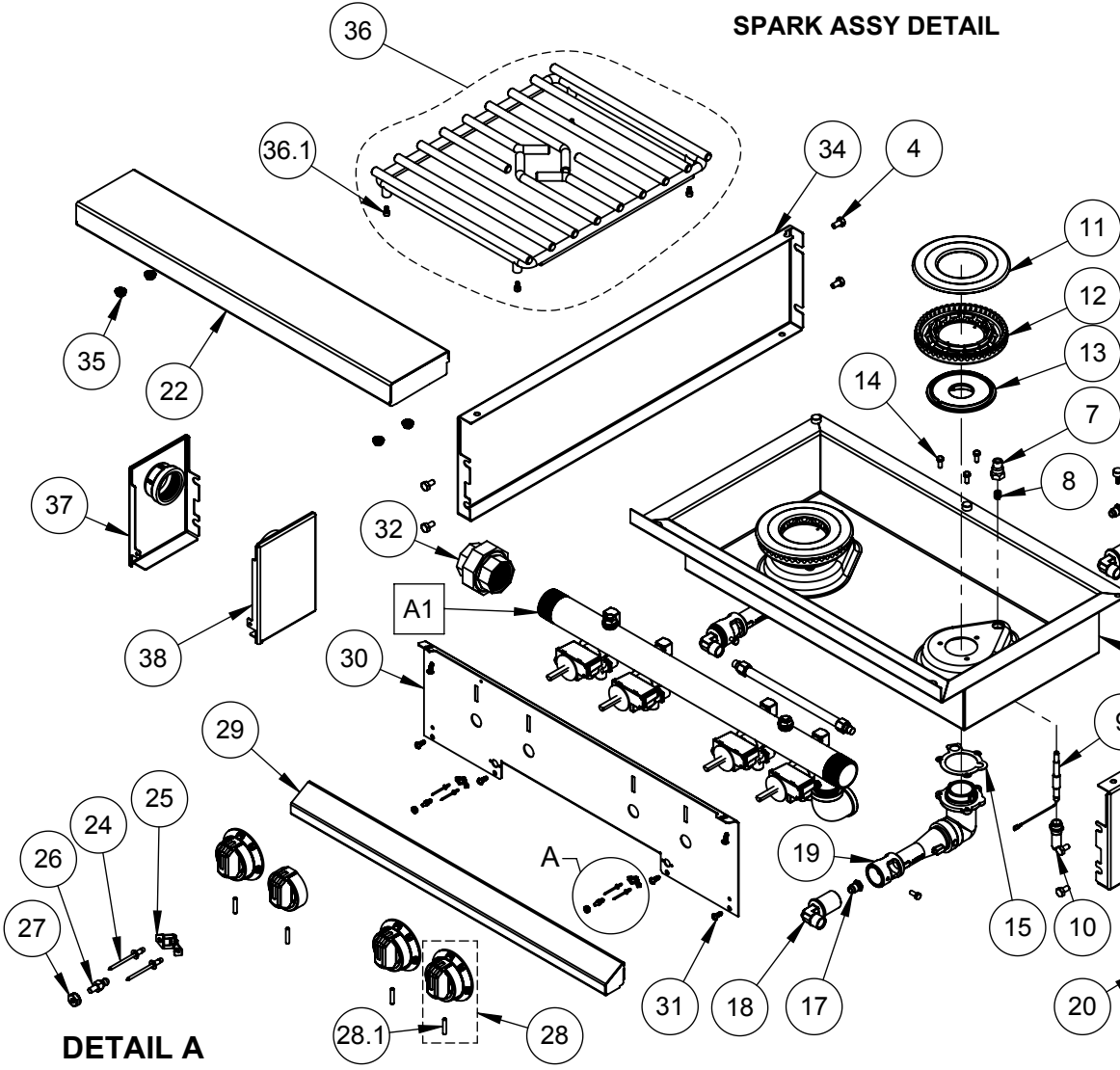
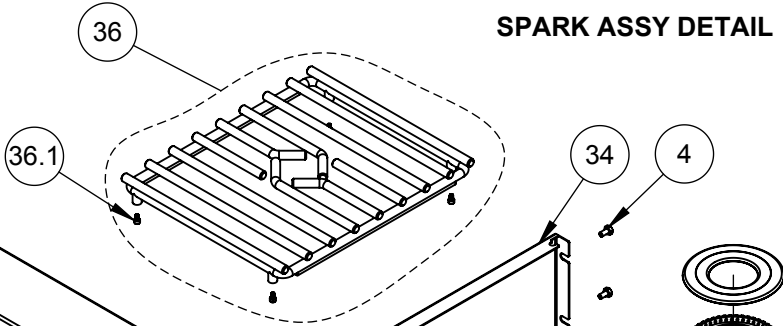
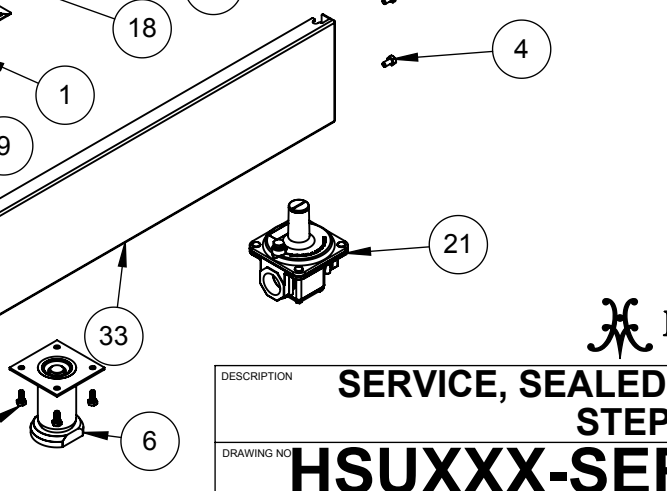
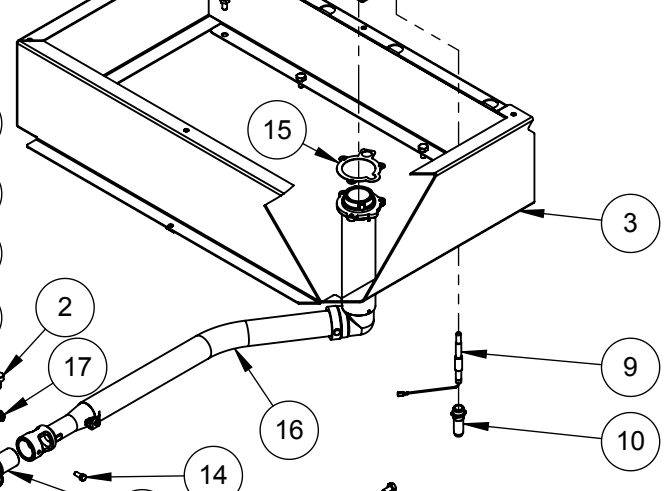
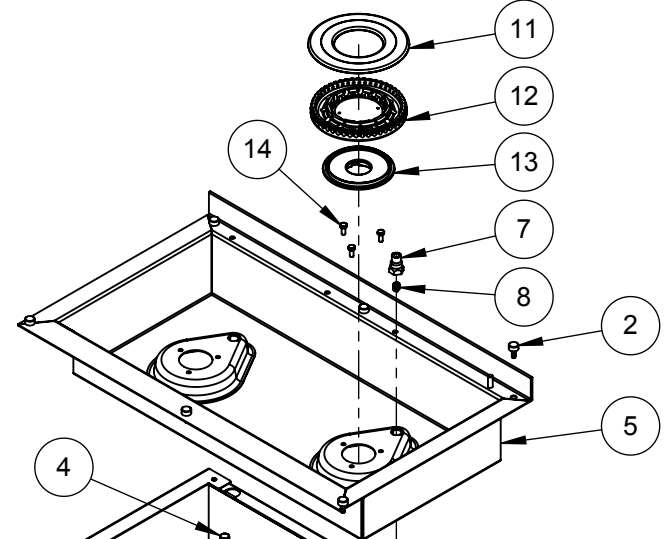
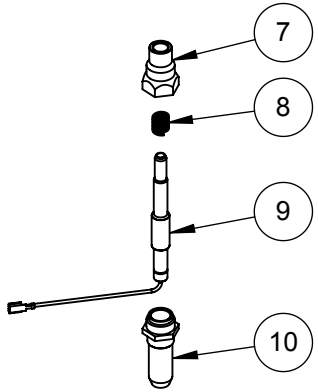
Commercial Service Parts

SEALED BURNER (HSU)

Hestan Commercial Corporation
3375 E. La Palma Ave.
Anaheim, CA 92806
(888) 905-7463

RETAIN THIS FOR FUTURE REFERENCE

Revised: May 15, 2020



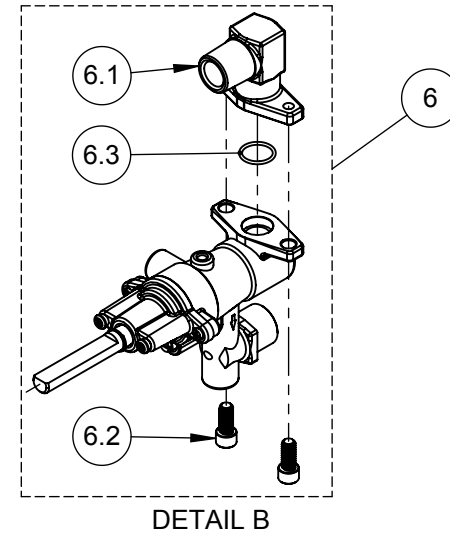
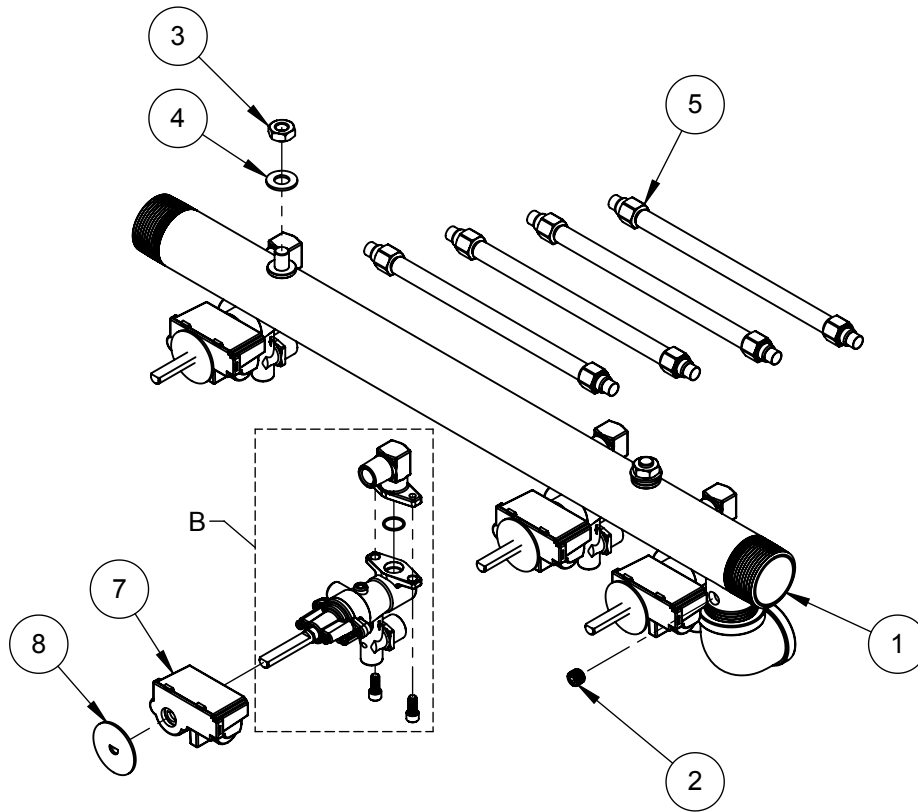
HESTAN

DESCRIPTION **SERVICE, SEALED BURNER, STEP UP ASSY**
 DRAWING NO. **HSUXXX-SERVICE**

STEP UP SEALED BURNER (SPARK) - SERVICE PARTS LIST

Item No.	Part No.	DESCRIPTION	HSU244	HSU366
			QTY	QTY
1	013900	BOWL, SEALED BURNER, HALF, FRONT, SF, 244, WELD NUT, WA	1	-
	013878	BOWL, SEALED BURNER, HALF, FRONT, SF, 363, WELD NUT, WA	-	1
2	014376	SERVICE, SCREW COVER, SEALED BURNER, PKG 6	2	2
3	013919	BOX, STEP UP, 24, WA	1	-
	009061	BOX, STEP UP, 36, WA	-	1
4	013303	SERVICE, HB, 1/4-20 X .50, ZN, PKG. 8	2	2
5	013907	BOWL, SEALED BURNER, HALF, REAR, SF, 244, WELD NUT, WA	1	-
	013880	BOWL, SEALED BURNER, HALF, REAR, SF, 363, WELD NUT, WA	-	1
6	000470	ADJUSTABLE LEG, ASSY, 4"	4	4
7	002038	NUT, IGNITER, SEALED BURNER, SF	4	6
8	014673	SERVICE, SPRING, IGNITER, SEALED BURNER, DF, PKG 4	1	2
9	005013	IGNITER ASSY, SEALED BURNER, SF	4	6
10	002037	SHAFT, IGNITER, SEALED BURNER, SF	4	6
11	002058	BURNER RING, SEALED BURNER, SF	4	6
12	002055	HEAD, BURNER, SEALED BURNER, SF	4	6
13	002057	BURNER BASE, SEALED BURNER, SF	4	6
14	014390	SERVICE, SCREW, MOUNTING, M5X12, SEALED BURNER, PKG 4	4	6
15	002056	GASKET, MAIN, SEALED BURNER, SF	4	6
16	007478	ELBOW, VENTURI, STEP UP, SF, ASSY	2	3
17	006640	ORIFICE, #44, MAIN, SEALED BURNER, DF-NG1	4	6
	010343	ORIFICE, #55, MAIN, SP, SEALED BURNER-LP	4	6
18	002048	JET HOLDER, MAIN, SEALED BURNER, SF/DF	4	6
19	010662	ELBOW, SINGLE FLOW, FRONT, ASSY	2	3
20	014191	SERVICE, HB, 1/4-20 X .625, SS, PKG 4	4	4
21	004163	REGULATOR, STRAIGHT-THRU, 1"NPT, NG	1	1
	004162	REGULATOR, STRAIGHT-THRU, 1"NPT, LP	1	1
	004165	REGULATOR, STRAIGHT-THRU, 1-1/4"NPT, NG	1	1
	004164	REGULATOR, STRAIGHT-THRU, 1-1/4"NPT, LP	1	1

Item No.	Part No.	DESCRIPTION	HSU244	HSU366
			QTY	QTY
22	003662	PLATE SHELF, 24, W/A	1	-
	003664	PLATE SHELF, 36, W/A	-	1
	034424	PLATE SHELF, 6" EXTENDED, WA, 24	1	-
	006053	PLATE SHELF, 6" EXTENDED, WA, 36	-	1
	034426	PLATE SHELF, 8" EXTENDED, WA, 24	1	-
	006069	PLATE SHELF, 8" EXTENDED, WA, 36	-	1
23	014171	SERVICE, HARNESS, WIRE, SEALED BURNER, 366 (NOT SHOWN)	1	1
24	012751	SERVICE, POP RIVET, CSINK, 1/8 DIA X .275L, SS, PKG 8	1	1
25	012752	SERVICE, RECEPTACLE, BALL STUD, 18LB PULL, C1663-028-3B, PKG 4	1	1
26	012687	SERVICE, BALL STUD, MALE, 6-32UNC, .052-.078 PNL THK, PKG 4	1	1
27	012688	SERVICE, NUT, KEPS, 6-32, SS, PKG 4	1	1
28	001336	KNOB ASSY., SEALED BURNER, 100%	4	6
28.1	014299	SERVICE, SETSCREW, #10-24 X 1.000, CUP PT., SS, PKG 6	1	1
29	001582	CHIN, CONTROL PANEL, W/O HANDLE, 24", WA	1	-
	001194	CHIN, CONTROL PANEL, W/O HANDLE, 36", WA	-	1
30	004648	PANEL, CONTROL, SEALED BURNER, 24 - INDICATOR	1	-
	004236	PANEL, CONTROL, SEALED BURNER, 366 - INDICATOR	-	1
31	010242	SERVICE, SMS, #10-24 X 1/2, PH, PAN, TYPE F, SS, PKG 10	1	1
32	000254	UNION, 1.25" NPT - 44605K197	1	1
33	000122	PANEL, SIDE, RH, RANGETOP	1	1
34	000501	PANEL, SIDE, LH, RANGETOP	1	1
35	012685	SERVICE, NUT, LCK, SERRATED FLG, 1/4-20, ZN, PKG 6	1	1
36	014676	SERVICE, GRATE, SEALED BURNER, COMBO, HALF, 12", KIT	4	6
36.1	014398	SERVICE, SHCS, #10-24 X .313, SS, PKG 6	3	4
37	AHCCCL	CAP, MANIFOLD, LEFT, ASSY	1	1
38	AHCCR	CAP, MANIFOLD, RIGHT, ASSY	1	1



 HESTAN

**SERVICE, MANIFOLD, GAS
ASSY, STEP UP**

DESCRIPTION

DRAWING NO

A1

A1 - GAS MANIFOLD ASSEMBLY - STEP UP SEALED BURNER (SPARK)

Item No.	Part No.	DESCRIPTION	HSU244	HSU366
			QTY	QTY
1	004650	MANIFOLD, SEALED BURNER, 24, WA	1	-
	000257	MANIFOLD, SEALED BURNER, 366, WA	-	1
2	000360	PLUG, HEX SOCKET, 1/8" NPT	1	1
3	012681	SERVICE, NUT, 3/8-16 X .25, PKG 4	1	1
4	012679	SERVICE, WSH, FLAT, 3/8 SAE (.406 X .812 X .065), ZN, PKG 4	1	1
5	005682	HOSE, FLEX, 3/8 OD, 12", F-F, NUT/FERRULE	4	6
6	004922	VALVE, SINGLE FLOW, SEALED BURNER	4	6
6.1	004919	ELBOW, FLANGE, VALVE, SEALED BURNER	4	6
6.2	014650	SERVICE, SHCS, 12-24 X .5, SS, PKG 6	2	2
6.3	014646	SERVICE, O-RING, SILICONE, 11.5MM ID X 1.5MM THK, PKG 6	1	1
7	000530	MODULE, EGO RE-IGNITER, SINGLE POINT, IRIS COOKTOP, 120V/60Hz/5mA	4	6
8	014154	SERVICE, SHIELD, SWITCH/MODULE, PKG 2	2	3