



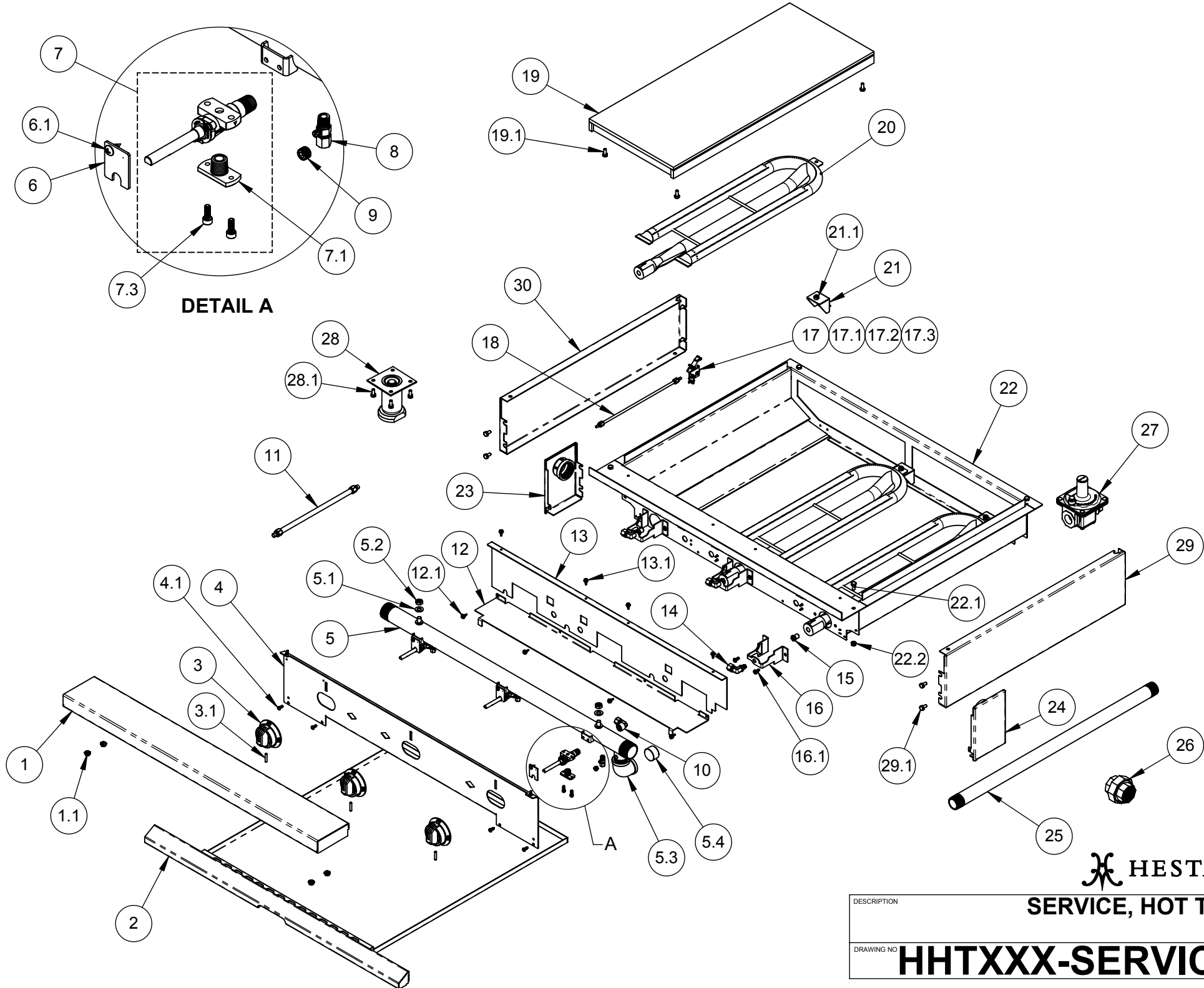
*Commercial Service Parts*

**HOT TOP (HHT)**

Hestan Commercial Corporation  
3375 E. La Palma Ave.  
Anaheim, CA 92806  
(888) 905-7463

RETAIN THIS FOR FUTURE REFERENCE

Revised: May 15, 2020



**DETAIL A**



**SERVICE, HOT TOP**

DESCRIPTION
DRAWING NO
<b>HHTXXX-SERVICE</b>

# HOT TOP - SERVICE PARTS LIST

Item No.	Part No.	DESCRIPTION	HHT12	HHT18	HHT242	HHT362	HHT363
			QTY	QTY	QTY	QTY	QTY
1	003659	PLATE SHELF, 12, W/A	1	-	-	-	-
	003660	PLATE SHELF, 18, W/A	-	1	-	-	-
	003662	PLATE SHELF, 24, W/A	-	-	1	-	-
	003664	PLATE SHELF, 36, W/A	-	-	-	1	1
	018046	PLATE SHELF, 6" EXTENDED, WA, 12	1	-	-	-	-
	034423	PLATE SHELF, 6" EXTENDED, WA, 18	-	1	-	-	-
	034424	PLATE SHELF, 6" EXTENDED, WA, 24	-	-	1	-	-
	006053	PLATE SHELF, 6" EXTENDED, WA, 36	-	-	-	1	1
	034428	PLATE SHELF, 8" EXTENDED, WA, 12	1	-	-	-	-
	034427	PLATE SHELF, 8" EXTENDED, WA, 18	-	1	-	-	-
	034426	PLATE SHELF, 8" EXTENDED, WA, 24	-	-	1	-	-
	006069	PLATE SHELF, 8" EXTENDED, WA, 36	-	-	-	1	1
1.1	012685	SERVICE, NUT, LOCK, SERR. FLANGE, 1/4-20, PKG 4	1	1	1	1	1
2	004762	CHIN, CONTROL PANEL, 12", W/O HANDLE, ASSY	1	-	-	-	-
	004763	CHIN, CONTROL PANEL, 18", W/O HANDLE, ASSY	-	1	-	-	-
	002927	ASSY DRIP PAN, 24"	-	-	1	-	-
	000373	ASSY, DRIP PAN, 36"	-	-	-	1	1
3	000130	KNOB ASSY, ON-OFF, 100%	1	1	2	2	3
3.1	014299	SERVICE, SETSCREW, #10-24 X 1.000, CUP PT, SS, PKG 6	1	1	1	1	1
4	002885	PANEL, CONTROL, HOT TOP, 12", ASSY	1	-	-	-	-
	002813	PANEL, CONTROL, HOT TOP, 18", ASSY	-	1	-	-	-
	004569	PANEL, CONTROL, HOT TOP, 24 - INDICATOR	-	-	1	-	-
	004565	PANEL, CONTROL, HOT TOP, 36-2 - INDICATOR	-	-	-	1	-
	004245	PANEL, CONTROL, HOT TOP, 36-3 - INDICATOR	-	-	-	-	1
4.1	012672	SERVICE, SMS, #10-24 X 1/2, TYPE F, PH, PAN, SS, PKG 4	1	2	2	2	2
5	000722	MANIFOLD, HOT TOP, 12", WA	1	-	-	-	-
	001182	MANIFOLD, FT, PG, HT, 18, WA	-	1	-	-	-
	002527	MANIFOLD, HOT TOP, 24, WA	-	-	1	-	-
	000592	MANIFOLD, FT-HT, 36-2, WA	-	-	-	1	-

Item No.	Part No.	DESCRIPTION	HHT12 QTY	HHT18 QTY	HHT242 QTY	HHT362 QTY	HHT363 QTY
	000714	MANIFOLD, HOT TOP, 36-3, WA	-	-	-	-	1
5.1	012679	SERVICE, WSH, FLAT, 3/8 SAE, PKG 4	1	1	1	1	1
5.2	012681	SERVICE, NUT, 3/8-16 X .25, PKG 4	1	1	1	1	1
5.3	000256	ELBOW, 1" NPT, IRON	1	1	1	1	1
5.4	000258	PLUG, SQUARE SOCKET, 1" NPT	1	1	1	1	1
6	001413	BRACKET, VALVE ANTI-ROTATION	1	1	2	2	3
6.1	012689	SERVICE, SMS, #10 X .5, PH, PAN, PKG 3	1	1	1	1	1
7	015662	KIT, VALVE, ON-OFF, FLANGE-MOUNT, A23-F	1	1	2	2	3
7.1	015668	VALVE BODY, ON-OFF, FLANGE-MOUNT, A23-F	1	1	2	2	3
7.2	004643	FLANGED NIPPLE, 1/4 NPT	1	1	2	2	3
7.3	012750	SERVICE, SHCS, 10-24 X .500, SS, PKG 6	1	1	1	1	1
7.4	014103	SERVICE, O-RING, FLANGED NIPPLE, PKG 6	1	1	1	1	1
8	000859	VALVE, PILOT, 1/8NPT X 3/16 COMP, STRAIGHT	1	1	2	2	3
9	000360	PLUG, HEX SOCKET, 1/8 NPT	1	1	1	1	1
10	002321	ELBOW, ADAPTER, 1/4 NPT FEMALE X 3/8 CC	1	1	2	2	3
11	005682	HOSE, FLEX, 3/8 OD, 12" F-F, NUT/FERRULE	1	1	2	2	3
12	002156	HEAT SHIELD, HOT TOP, 12	1	-	-	-	-
	002264	HEAT SHIELD, HOT TOP, 18	-	1	-	-	-
	002487	HEAT SHIELD, HOT TOP, 24	-	-	1	-	-
	002448	HEAT SHIELD, HOT TOP 36-2	-	-	-	1	-
	002086	HEAT SHIELD, HOT TOP 36-3	-	-	-	-	1
12.1	012676	SERVICE, SMS, TEK, #10 X 1/2, ZN, PKG 8	1	1	1	1	1
13	001095	BAFFLE, HOT TOP, 12	1	-	-	-	-
	001111	BAFFLE, HOT TOP, 18	-	1	-	-	-
	001005	BAFFLE, HOT TOP, 24	-	-	1	-	-
	003821	BAFFLE, HOT TOP, 36-2	-	-	-	1	-
	000862	BAFFLE, HOT TOP, 36-3	-	-	-	-	1
13.1	012676	SERVICE, SMS, TEK, #10 X 1/2, ZN, PKG 8	1	1	1	1	1
14	000917	HOLDER, ORIFICE, BULKHEAD, SMALL	1	1	2	2	3
15	000293-033	ORIFICE, HOOD, #33 (NG)	-	1	-	2	-
	000293-040	ORIFICE, HOOD, #40 (NG)	1	-	2	-	3
	000293-050	ORIFICE, HOOD, #50 (LP)	-	1	-	2	-
	000293-052	ORIFICE, HOOD, #52 (LP)	1	-	2	-	3
16	000932	BULK HEAD BRACKET, FT HT PG	1	1	2	2	3

Item No.	Part No.	DESCRIPTION	HHT12	HHT18	HHT242	HHT362	HHT363
			QTY	QTY	QTY	QTY	QTY
16.1	013390	SERVICE, MS, 10-24 X .500, SL, HEXWAS, SS, PKG 4	1	1	1	1	2
17	000315	PILOT ASSY, -B11H2, -NG	1	1	2	2	3
	015027	PILOT ASSY, -B11H2, -LP	1	1	2	2	3
17.1	001636	BRACKET, PILOT, HOT TOP	1	1	2	2	3
17.2	013391	SERVICE, MS, 10-32 X .25, SS, PKG 4	1	1	1	1	1
17.3	012676	SERVICE, SMS, TEK, #10 X 1/2, PKG 8	1	1	1	1	1
18	005687	HOSE, FLEX, 3/16 OD, 12", F-F, NUT/FERRULE	1	1	2	2	3
19	002262	PLATE, HOT TOP, 12", ASSY	1	-	2	-	3
	002670	PLATE, HOT TOP, 18", ASSY	-	1	-	2	-
19.1	013389	SERVICE, HEX BOLT, 1/4-20 X .625, SS, PKG 8	1	1	1	1	2
20	000514	BURNER, U-TUBE, GRIDDLE/HOT TOP	1	1	2	2	3
21	002552	BURNER HANGER, HOT TOP, WA	1	1	2	2	3
21.1	014155	SERVICE, NUT, 1/4-20, ZN, PKG 4	1	1	1	1	1
22	002625	FIREBOX, HOT TOP, 12, WA	1	-	-	-	-
	001110	FIREBOX, HOT TOP, 18, WA	-	1	-	2	-
	002915	FIREBOX, HOT TOP, 24, WA	-	-	1	-	-
	002449	FIREBOX, CONNECTOR, HOT TOP, 36-2	-	-	-	1	-
	002541	FIREBOX, HOT TOP, 36-3, WA	-	-	-	-	1
22.1	013389	SERVICE, HEX BOLT, 1/4-20 X .625, PKG 8	1	1	1	1	1
22.2	012694	SERVICE, NUT, KEPS, 1/4-20, ZN, PKG 3	1	1	1	1	1
23	AHCCL	CAP, MANIFOLD, LEFT, ASSY	1	1	1	1	1
24	AHCCR	CAP, MANIFOLD, RIGHT, ASSY	1	1	1	1	1
25	AHRGC	REAR GAS CONNECTION, 1" NPT	1	1	1	1	1
26	000254	UNION, 1.25" NPT	-	1	1	1	1
27	004163	REGULATOR, STRAIGHT-THRU, 1"NPT, NG	1	1	1	1	1
	004162	REGULATOR, STRAIGHT-THRU, 1"NPT, LP	1	1	1	1	1
	004165	REGULATOR, STRAIGHT-THRU, 1-1/4"NPT, NG	1	1	1	1	1
	004164	REGULATOR, STRAIGHT-THRU, 1-1/4"NPT, LP	1	1	1	1	1
28	000470	ADJUSTABLE LEG, ASSY, 4"	4	4	4	4	4
28.1	014191	SERVICE, HEX BOLT, 1/4-20 X .625, SS, PKG 4	4	4	4	4	4
29	000122	PANEL, SIDE, RH, RANGETOP	1	1	1	1	1
30	000501	PANEL, SIDE, LH, RANGETOP	1	1	1	1	1
31	013303	SERVICE, HB, 1/4-20 X .5, ZN, PKG 8	1	1	1	1	1