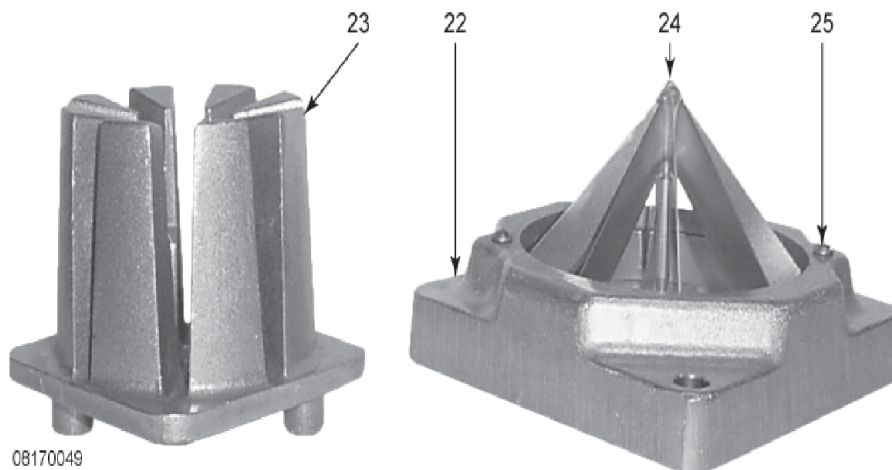
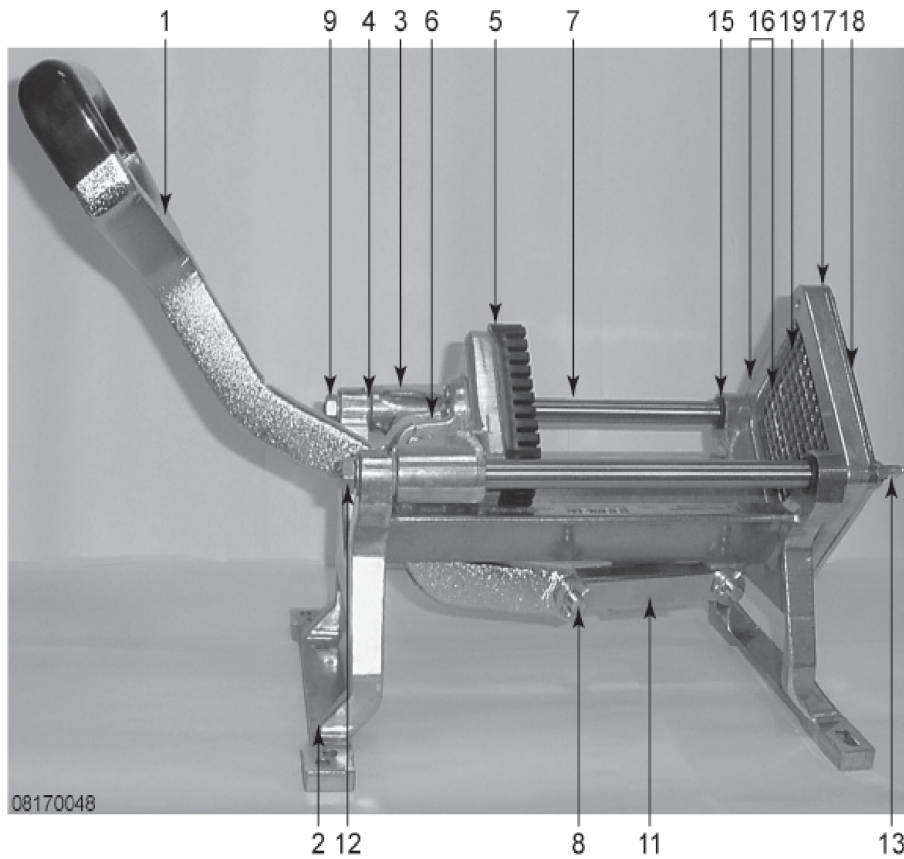




For the most up-to-date parts information, visit
<https://parts.hennypennyhelp.com>.

Potato Cutter (PC) 200 Parts





For the most up-to-date parts information, visit
<https://parts.hennypennyhelp.com>.

Item No.	Part No.	Description	Qty.			Stocking Level
			1/4 in	3/8 in	8 Segment	
1	31837	Lever	1	1	1	
2	31838	Frame	1	1	1	
3	31839	Push block guide	1	1	1	
4	31840	-Bushing	4	4	4	
5	31841	Push block, 1/4 in	1			
5	31842	Push block, 3/8 in		1		
6	31843	Bracket	1	1	1	
7	31844	Guide rod	2	2	2	
8	31845	Pin	3	3	3	
9	31846	Washer, 5/16 in	5	5	5	
10	31847*	Pin clip	3	3	3	
11	31848	Yoke	1	1	1	
12	31849	Hex nut	2	2	2	
13	31850	Wing nut	2	2	2	
14	31851*	Thumb screw, 1/4 in x 3/4 in	2	2	2	
15	31852	O-ring	2	2	2	
16	31853	Blade and holder assembly, 1/4 in	1			
16	31854	Blade and holder assembly, 3/8 in		1		
17	31855	Blade holder	1			



For the most up-to-date parts information, visit
<https://parts.hennypennyhelp.com>.

Item No.	Part No.	Description	Qty.			Stocking Level
			1/4 in	3/8 in	8 Segment	
18	31856	Blade holder plate	1			
19	31857	Blade kit, 1/4 in	1			A
19	31858	Blade kit, 3/8 in		1		A
20	31859*	Spacer kit, 1/4 in	1			
20	31860*	Spacer kit, 3/8 in		1		
21	31861*	Thumb screws, 1/4 in x 5/8 in	2	2		
22	31862	Blade holder, 8 segment			1	
23	31863	Push block, 8 segment			1	
24	31864	Blade assembly, 8 segment			1	A
25	31865	Thumb screws, #6			1	
26	31866*	Mounting screw, #10	1	1	1	
27	31867*	Washer, 1/4 in	4	4	4	
28	31868*	Mounting screw	4	4	4	

Recommended Parts: A = Truck Stock; B = Dist. Stock
 * = Not Shown
 A/R = As Required