

F5 Gas
Open Fryer

OFG 51X



EN



Table of Contents

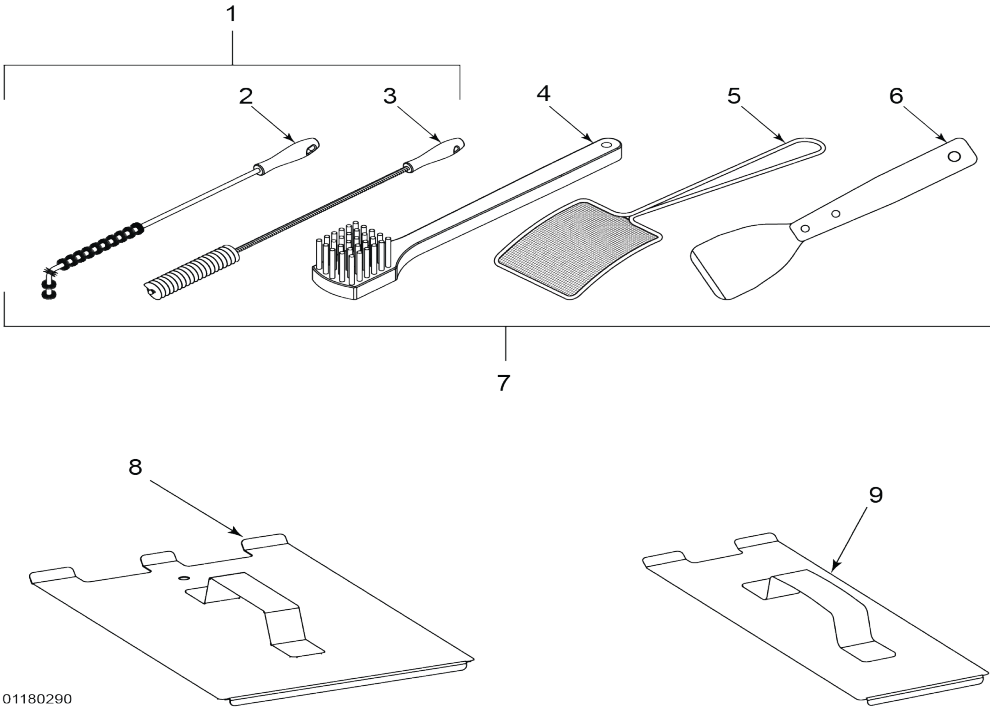
Fryer Accessories and Supplies	7
Fryer Accessories	7
Fryer Supplies	10
Filter Pan Assembly	11
LC2510088	13
LC2510089	13
Full Vat Components and Heating Elements ..	16
Exterior Components	17
Interior Components	22
Heating Element Components	25
Split Vat Components and Heating Elements	27
Exterior Components	28
Interior Components	31
Heating Element Components	37
Filter Pump and Motor	39
Filter Pump with Motor	39
Filter Pump Component	40
Auto Top-Off (ATO) Jug In Box (JIB) Pump	42
Flexible Oil Lines	43
Stainless Steel Braided Flexible Oil Lines	43
Silicone Flexible Oil Lines	45

Contactors and Power Cord	46
Contactors and Terminal Blocks - Full Vat, 3+G, 14 kW Heating Element	46
Contactors and Terminal Blocks - Full Vat, 3+G, 17 kW Heating Element	47
Contactors and Terminal Blocks - Full Vat, 3NG, 14 kW/17 kW Heating Element	47
Contactors and Terminal Blocks - Split Vat, 3+G, 7 kW/8.5 kW Heating Element	48
Contactors and Terminal Blocks - Split Vat, 3NG, 7kW/8.5kW Heating Element	49
Power Cord Assemblies	50
Mid Shelf and PMU/OMS Mounting	52
Mid Shelf OFE-511	52
Mid Shelf OFE-512	53
Mid Shelf OFE-513	54
Mid Shelf OFE-514	55
Mid Shelf Components	55
PMU Mounting - Full Vat	58
PMU Mounting-Split Vat	59
PMU Mounting Components	60
Chassis Exterior	60
Chassis Exterior	60
Chassis Exterior - OFE 512	62
Chassis Exterior - OFE 513	62
Chassis Exterior - OFE 514	63

Chassis Interior	66
Interior	66
Chassis Interior - 2 well, 3 well, 4 well	66
Chassis Interior - CE	67
Chassis Interior Components	67
ATO Reservoir JIB Shelf	70
Control Panel	73
Selector Valve	74
4 Port - 3.1	75
6 Port - 3.2	76
10 Port - 3.3	77
Selector Port Components	77
Electrical	79
Rear Enclosure Wiring	79
Power Box Wiring	81

Fryer Accessories and Supplies

Fryer Accessories



01180290

Item No.	Part No.	Description	Use	Qty.
1	12105	Brush set	A brush set containing items 2 and 3 only	-
2	12126	Brush, black, L tipped	Cleans vat corners and bottom	-
3	12112	Brush, white, straight	Scrubs drain and other narrow spaces	-

Item No.	Part No.	Description	Use	Qty.
4	12116	Brush, white, large	General purpose brush for cleaning	-
5	23850	Skimmer	Removes floating crumbs from cooking oil before filtering	-
6	12160	Scraper	Removes grease, dirt, or other material	-
7	14736	Fryer supply kit	A supply kit containing items 2, 3, 4, 5, and 6	-
8	03624	Full vat cover	Covers a full vat when not in use	-
9	03623	Split vat cover	Covers a split vat when not in use	-
10*	74725	Element lift tool	Raises and holds heating elements during daily filter or cleaning	-
11*	03617	ATO (JIB) jug	Food safe jug to store fresh oil for the Auto Top-Off (ATO) function	-
12*	03156	Tether kit	Tether cable and hardware to attach fryer to a permanent structure	-

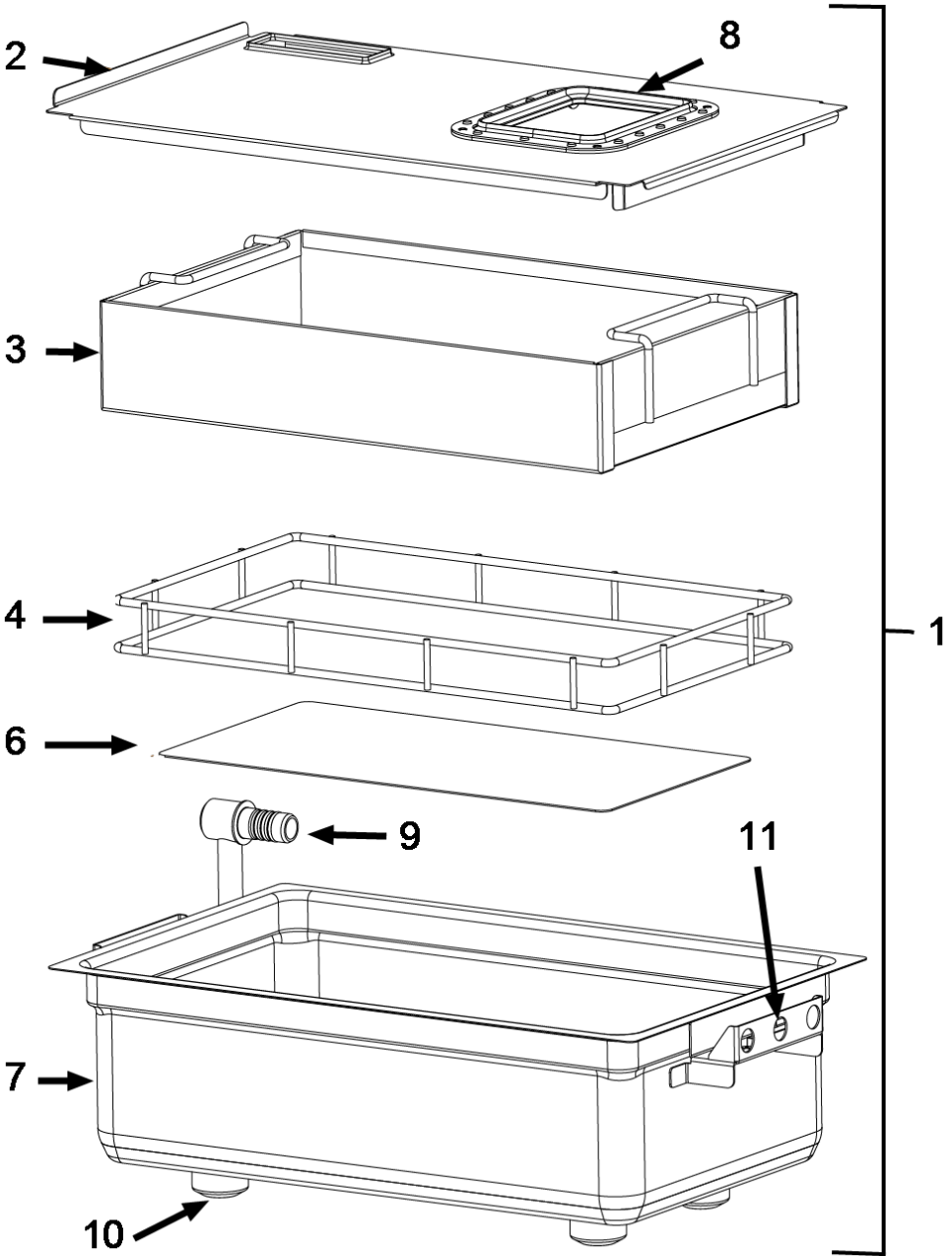
Item No.	Part No.	Description	Use	Qty.
13*	81915	Half basket, red handle	Half size basket to cook food products	-
13*	85136	Full basket, red handle	Full size basket to cook food products	
13*	86907	Half basket, divided, red handle	Half size basket to cook food products	
14*	157278	Half basket lid, red handle	Half size basket to cook food products	
15*	ODS310.01	Oil disposal shuttle	Collects and transports used cooking oil for disposal	-
16*	140638	OFE 51X ODS 300 retrofit kit	Retrofits an existing oil disposal shuttle to be compatible with the F5 fryer	-

* = Not Shown

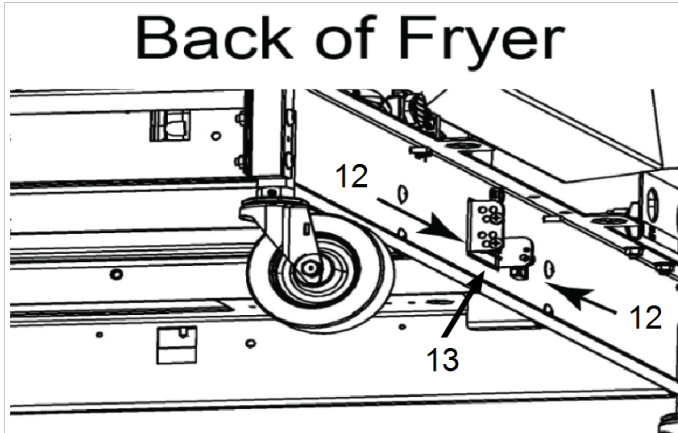
Fryer Supplies

Item No.	Part No.	Description	Qty.
-	12074	Smartfilter pad	30 count
-	12076	Smartfilter paper	100 count
-	12088	Prime filter powder	22 lb (10 kg)
-	12090	Prime filter pad	30 count
-	12092	Prime filter powder, 4.8 oz (136 g) packets	90 count
-	12199	Oil test kit	A/R
* = Not Shown			

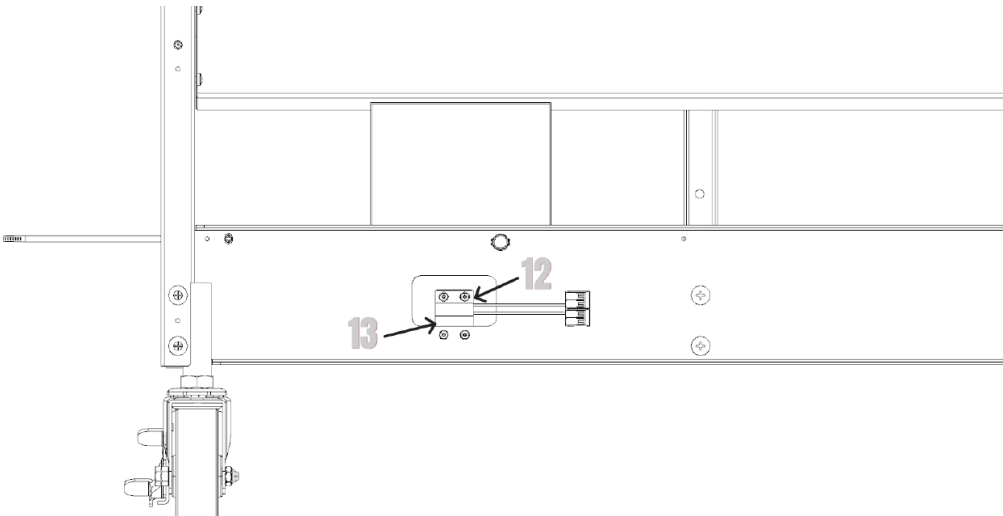
Filter Pan Assembly



LC2510088



LC2510089

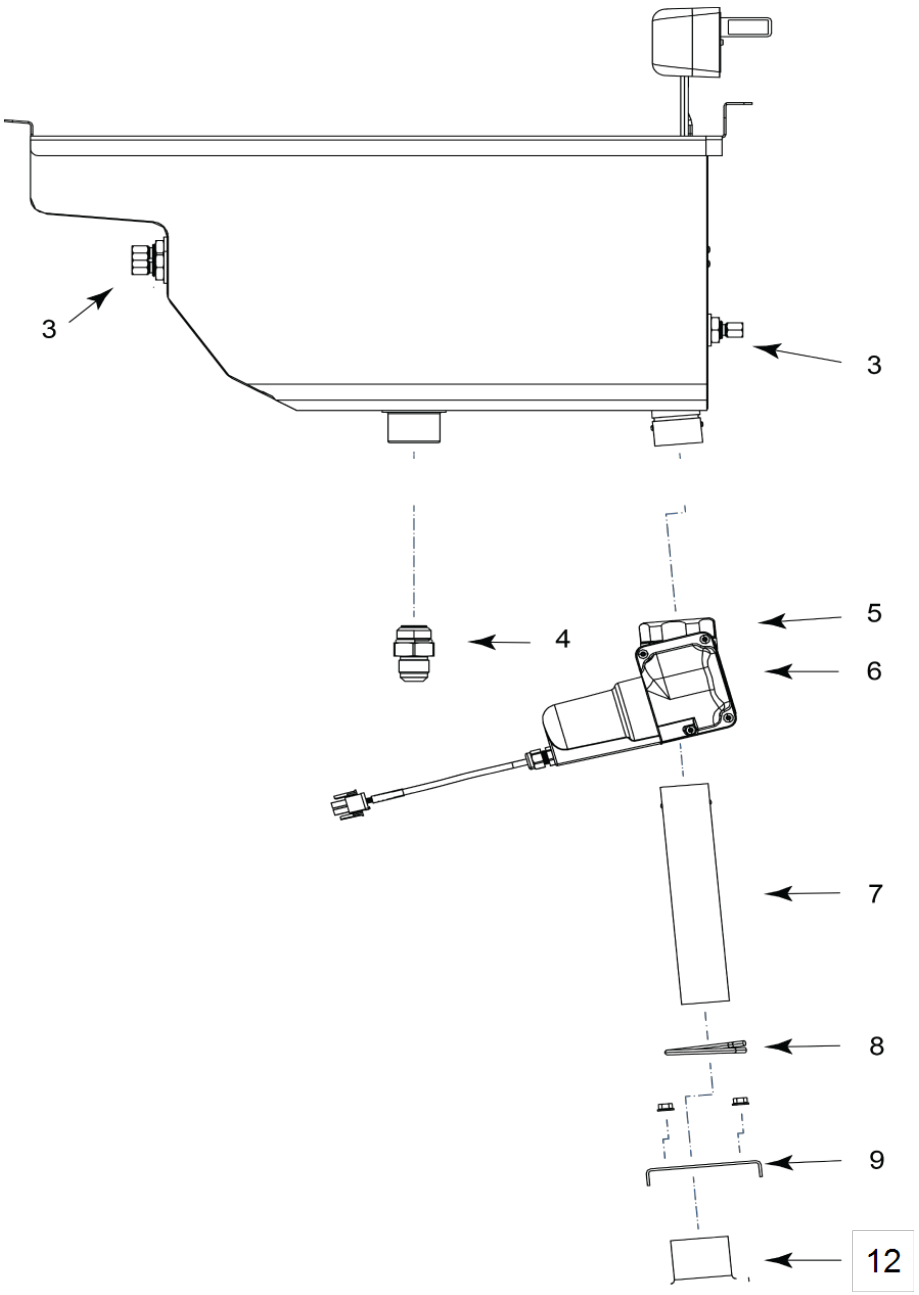


Item No.	Part No.	Description	Qty.	Stocking Level
1	160692	Filter pan assembly, complete with lid - GM	1	
2	160693	- Filter pan cover assembly	1	
3	160293	- Crumb catcher	1	
4	157535	- Filter weight	1	
5*	-	- Filter pad options	1	
6	85519	- Filter screen	1	
7	160696	- Filter pan with glides	1	
8	172926	- Filter pan cover gasket service pack	1	A
9	175860	- Filter pan o-ring service pack (pack of 12)	1	A
10	172929	- Filter pan glide service pack (pack of 4)	1	B
11	172928	- Filter pan magnet service pack	1	A
12	172947	Filter pan sensor service pack	1	A

Item No.	Part No.	Description	Qty.	Stocking Level
13	162704	Filter pan sensor bracket (SN: LC2510088 and before)	1	
13	181135	Filter pan sensor bracket (SN: LC2510089 and after)	1	
14*	NS02-009	Nut, hex, keps #4-40 (sensor bracket mounting)	2	
<p>Recommended Parts: A = Truck Stock; B = Dist. Stock * = Not Shown</p>				

Full Vat Components and Heating Elements

Exterior Components



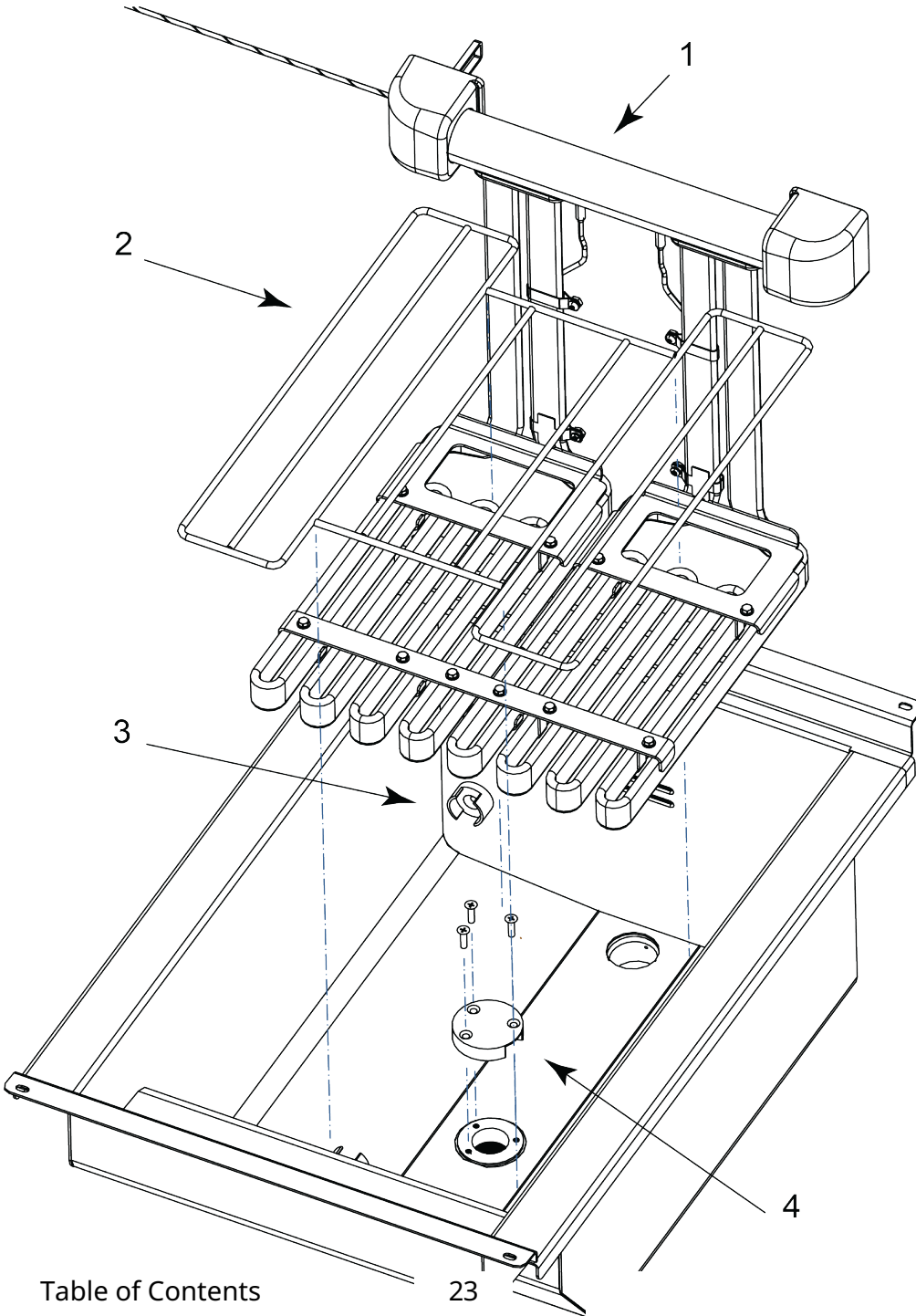
Item No.	Part No.	Description	Qty.	Stocking Level
1*	140712	Full vat replacement kit	1	
2.1*	140714	Temperature probe kit, 2 in. (rear vat)	1	A
2.2*	140637	Level probe kit, 2-1/2 in. (front vat)	2	A
3	185034	- Compression fitting, 3/16 in.	3	
4	159820	Check valve fitting	1	A
5	140244	Drain valve kit, without motor	1	B
5*	84415	- Drain valve O-ring only	2	
6	86157	Drain valve motor only	1	B
7	95704-007	Drain tube	1	

Item No.	Part No.	Description	Qty.	Stocking Level
8	MS01-315	Trough gas-ket clamp	1	
9	161216	Trough cover plate	1	
10*	NS04-004	Trough cover plate flanged locknut	4	
11*	161771	Trough cover plate gasket	1	
12	172936-001	Full vat trough gasket service pack	1	
13.1*	172933	1 Vat drain trough service pack	1	
13.2*	172932	2 Vat drain trough service pack	1	
13.3*	172931	3 Vat drain trough service pack	1	

Item No.	Part No.	Description	Qty.	Stocking Level
13.4*	172930	4 Vat drain trough service pack	1	

Recommended Parts: A = Truck Stock; B = Dist. Stock
*** = Not Shown**

Interior Components

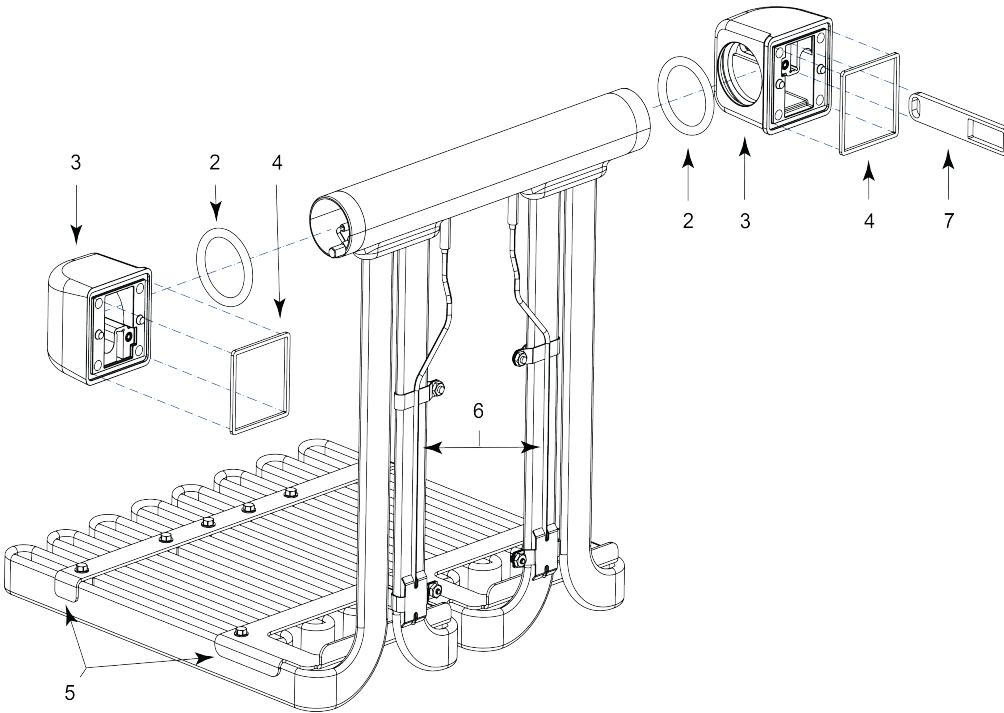


Item No.	Part No.	Description	Qty.	Stocking Level
1	180681-001	Full vat heating element service pack, 14 kW, 208 VAC, 3 Wire, 3+G	1	B
1	180681-002	Full vat heating element service pack, 14 kW, 230/400 VAC, 4 Wire, 3NG	1	B
1	180681-005	Full vat heating element service pack, 14 kW, 220/380 VAC, 4 Wire, 3NG	1	B
1	180681-006	Full vat heating element service pack, 14 kW, 240/415 VAC, 4 Wire, 3NG	1	B
1	180681-008	Full vat heating element service pack, 14 kW, 230 VAC, 3 Wire, 3+G	1	B
1	180681-009	Full vat heating element service pack, 14 kW, 240 VAC, 3 Wire, 3+G	1	B
2	159881	Full vat rack	1	
3	140773	Probe guard, compression fitting - Service Pack	3	

Item No.	Part No.	Description	Qty.	Stocking Level
4	180684	Oil diverter cover service pack	1	
4*	SC01-286	- Screw, #8-32 x .75, PH, FHD, SS	A/R	

Recommended Parts: A = Truck Stock; B = Dist. Stock
 * = Not Shown
 A/R = As Required

Heating Element Components

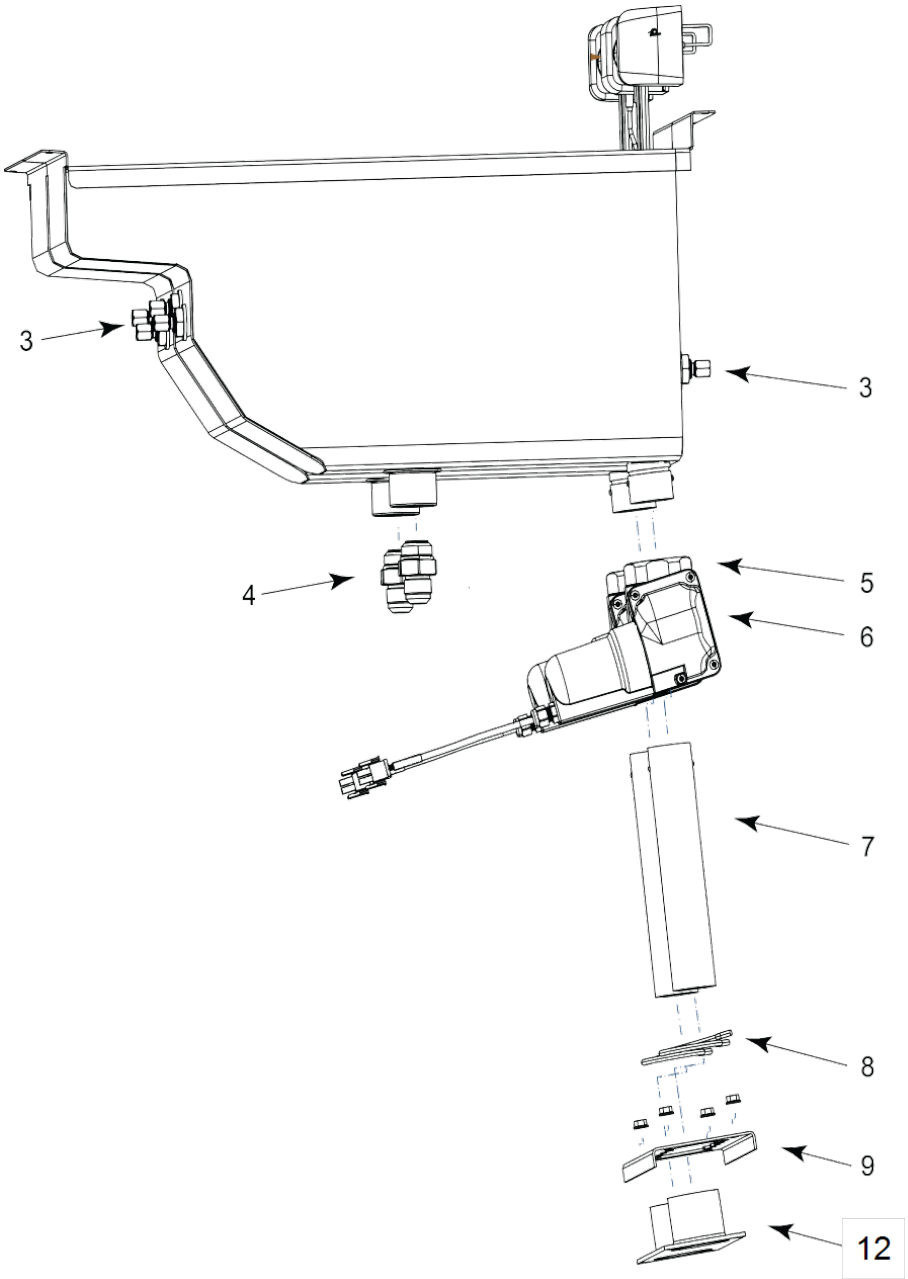


Item No.	Part No.	Description	Qty.	Stocking Level
1*	180681-XXX	Full vat heating element service pack	1	B
2	76948	- Pivot block o-ring	2	
3	86303	- Pivot block	2	
4	86306	- Pivot block gasket	2	
5	180685	- Full vat element brackets service pack	1	
6	180687	- High limit RTD service pack	2	A
7	83038	Element tilt switch arm	1	
8*	83096	Element tilt switch	1	A
9*	169428	Full vat element bar	A/R	
10*	SC04-024	Screw #8-32 X 3/8 Hex HD SS	A/R	

Recommended Parts: A = Truck Stock; B = Dist. Stock
*** = Not Shown**
A/R = As Required

Split Vat Components and Heating Elements

Exterior Components

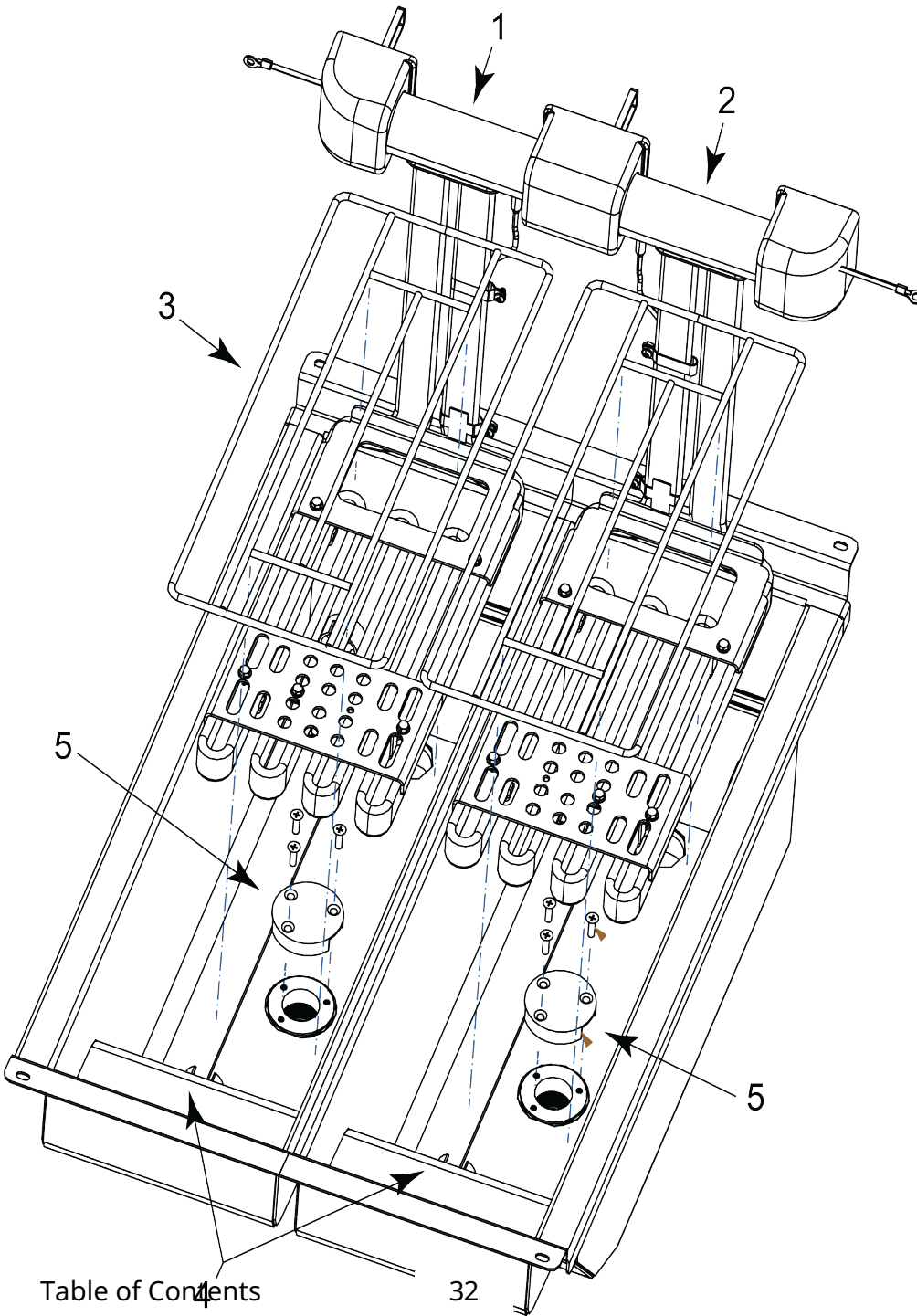


	Part No.	Description	Qty.	Stocking Level
1*	140713	Split vat replacement kit	1	
2.1*	140714	Temperature probe kit, 2 in. (rear vat)	2	A
2.2*	140637	Level probe kit, 2-1/2 in. (front vat)	2	A
3	185034	- Compression fitting, 3/16 in.	4	
4	159820	Check valve fitting	2	A
5	140244	Drain valve kit, without motor	2	B
5*	84415	- Drain valve O-ring only	2	
6	86157	Drain valve motor only	2	B
7	95704-007	Drain tube	2	
8	MS01-315	Trough gasket clamp	2	
9	161216	Trough cover plate	1	
10*	NS04-004	Trough cover plate flanged locknut	4	
11*	161771	Trough cover plate gasket	1	
12	172936- 002	Split vat trough gasket ser- vice pack	1	

	Part No.	Description	Qty.	Stocking Level
13.1*	172933	1 Vat drain trough service pack	1	
13.2*	172932	2 Vat drain trough service pack	1	
13.3*	172931	3 Vat drain trough service pack	1	
13.4*	172930	4 Vat drain trough service pack	1	

Recommended Parts: A = Truck Stock; B = Dist. Stock
*** = Not Shown**

Interior Components



	Part No.	Description	Qty.	Stocking Level
1	180682-001	Left split vat heating element service pack, 7 kW, 208 VAC, 3 Wire, 3+G	1	B
1	180682-002	Left split vat heating element service pack, 7 kW, 230/400 VAC, 4 Wire, 3NG	1	B
1	180682-005	Left split vat heating element service pack, 7 kW, 220/380 VAC, 4 Wire, 3NG	1	B
1	180682-006	Left split vat heating element service pack, 7 kW, 240/415 VAC, 4 Wire, 3NG	1	B
1	180682-008	Left split vat heating element service pack, 7 kW, 230 VAC, 3 Wire, 3+G	1	B
1	180682-009	Left split vat heating element service pack, 7 kW, 240 VAC, 3 Wire, 3+G	1	B
1	180682-010	Left split vat heating element service pack, 8.5 kW, 208 VAC, 6 Wire, 3+G	1	B

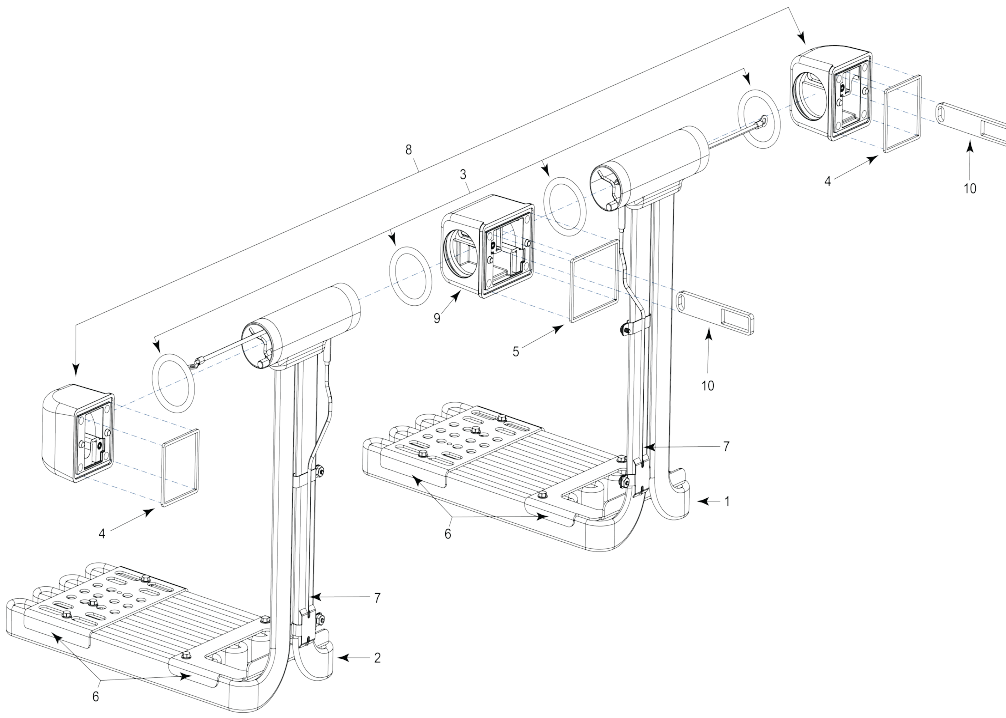
	Part No.	Description	Qty.	Stocking Level
1	180682-011	Left split vat heating element service pack, 8.5 kW, 230/400 VAC, 4 Wire, 3NG	1	B
1	180682-014	Left split vat heating element service pack, 8.5 kW, 220/380 VAC, 4 Wire, 3NG	1	B
1	180682-015	Left split vat heating element service pack, 8.5 kW, 240/415 VAC, 4 Wire, 3NG	1	B
1	180682-017	Left split vat heating element service pack, 8.5 kW, 230 VAC, 6 Wire, 3+G	1	B
1	180682-018	Left split vat heating element service pack, 8.5 kW, 240 VAC, 6 Wire, 3+G	1	B
2	180683-001	Right split vat heating element service pack, 7 kW, 208 VAC, 3 Wire, 3+G	1	B
2	180683-002	Right split vat heating element service pack, 7 kW, 230/400 VAC, 4 Wire, 3NG	1	B

	Part No.	Description	Qty.	Stocking Level
2	180683-005	Right split vat heating element service pack, 7 kW, 220/380 VAC, 4 Wire, 3NG	1	B
2	180683-006	Right split vat heating element service pack, 7 kW, 240/415 VAC, 4 Wire, 3NG	1	B
2	180683-008	Right split vat heating element service pack, 7 kW, 230 VAC, 3 Wire, 3+G	1	B
2	180683-009	Right split vat heating element service pack, 7 kW, 240 VAC, 3 Wire, 3+G	1	B
2	180683-010	Right split vat heating element service pack, 8.5 kW, 208 VAC, 6 Wire, 3+G	1	B
2	180683-011	Right split vat heating element service pack, 8.5 kW, 230/400 VAC, 4 Wire, 3NG	1	B
2	180683-014	Right split vat heating element service pack, 8.5 kW, 220/380 VAC, 4 Wire, 3NG	1	B

	Part No.	Description	Qty.	Stocking Level
2	180683-015	Right split vat heating element service pack, 8.5 kW, 240/415 VAC, 4 Wire, 3NG	1	B
2	180683-017	Right split vat heating element service pack, 8.5 kW, 230 VAC, 6 Wire, 3+G	1	B
2	180683-018	Right split vat heating element service pack, 8.5 kW, 240 VAC, 6 Wire, 3+G	1	B
3	159882	Split vat rack	2	
4	140773	Probe guard replacement service pack	6	
5	180684	Oil diverter cover service pack	2	
5*	SC01-286	- Screw, #8-32 x .75, PH, FHD, SS	A/R	

**Recommended Parts: A = Truck Stock; B = Dist. Stock
* = Not Shown**

Heating Element Components



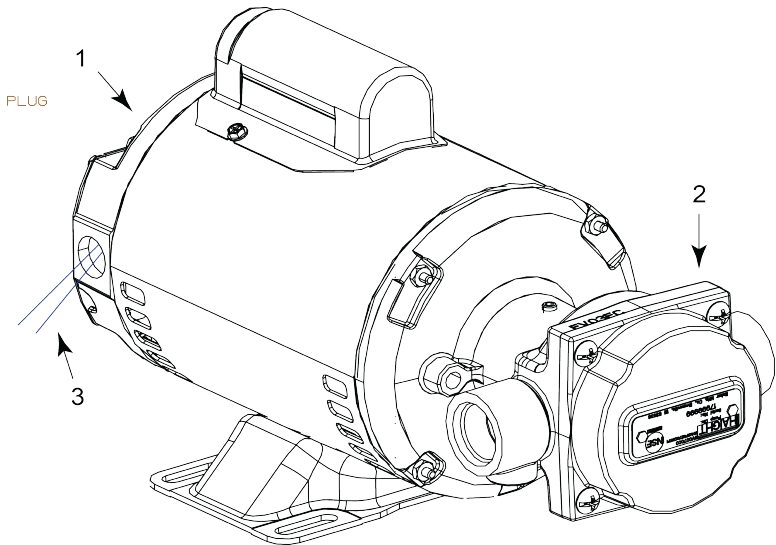
	Part No.	Description	Qty.	Stocking Level
1-2	-	Split vat heating element service pack components	-	-
3	76948	- Pivot block o-ring	2	
4	86306	- Outer pivot block gasket	1	
5	86308	- Inner pivot block gasket	1	
6	180686	- Split vat element brackets service pack	1	

	Part No.	Description	Qty.	Stocking Level
7	180687	- High limit RTD service pack	1	
8	86303	Outer pivot block	2	
9	86305	Inner pivot block	1	
10	83038	Element tilt switch arm	1	
11*	83096	Element tilt switch	2	A

NOTE - Left / Right split vat element orientation as viewed from fryer control panel
Recommended Parts: A = Truck Stock; B = Dist. Stock
*** = Not Shown**

Filter Pump and Motor

Filter Pump with Motor

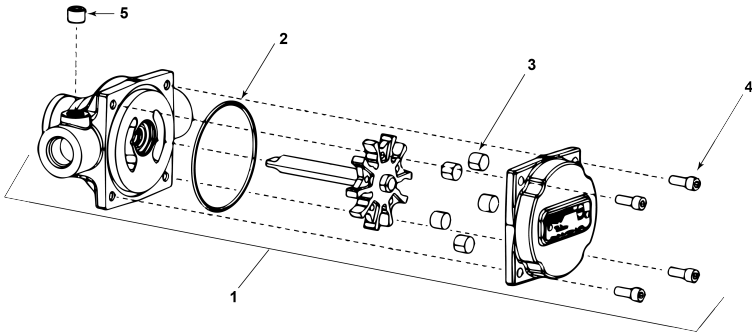


Item No.	Part No.	Description	Qty.	Stocking Level
1	164184-001	Filter pump motor, 60 Hz.	1	A
1	164184-002	Filter pump motor, 50 Hz.	1	A
2	164185	Filter pump, 8 GPM (See Filter Pump Components)	1	A
3	175719-001	OFE 512, 512, 513, 514 Filter pump motor cord	1	
3	175719-003	OFE 511 Filter pump motor cord	1	

Item No.	Part No.	Description	Qty.	Stocking Level
4*	79525	Lever nut, 3 conductor connector (motor cord)	2	
-	-	Motor shield, (CE) (See Chassis Interior)	1	

Recommended Parts: A = Truck Stock; B = Dist. Stock
*** = Not Shown**
A/R = As Required

Filter Pump Component

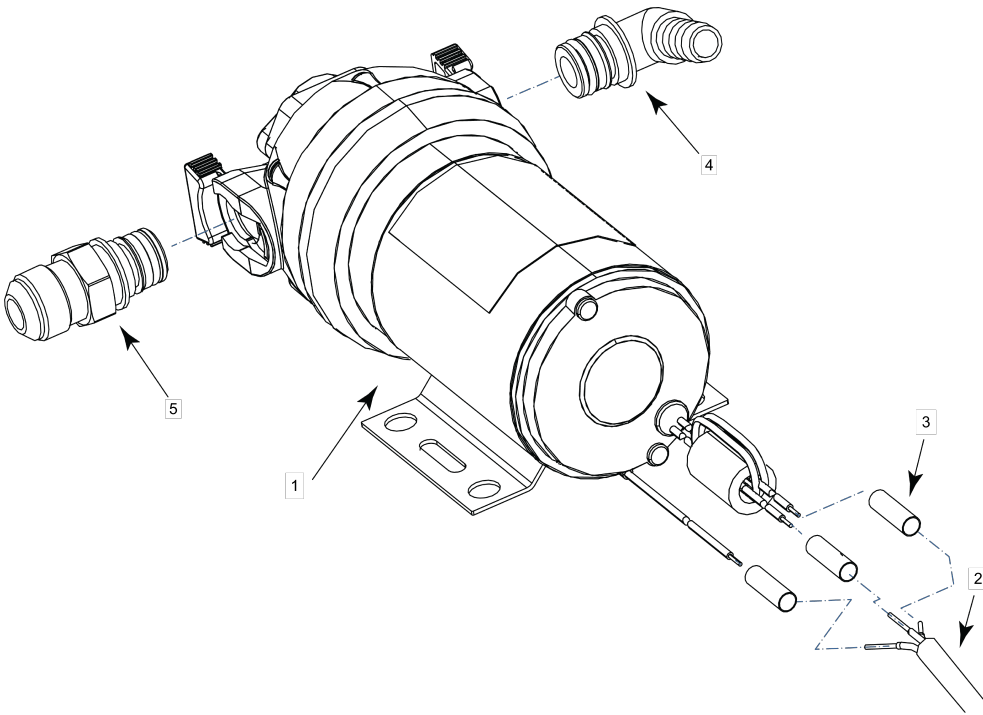


Note - Never separate the filter pump rotor and body. Separating the rotor and body will cause permanent pump seal damage.

Item No.	Part No.	Description	Qty.	Stocking Level
1	-	Filter pump, 8 GPM assembly (See Filter Pump with Motor)	-	

Item No.	Part No.	Description	Qty.	Stocking Level
2	162498	- Pump cover o-ring	1	B
3	162501	- Rollers, 8 GPM (set of 5)	1	A
4	180716	- Pump cap screws service pack (set of 4)	1	
5	FP01-020	- Priming port plug	1	
<p>Recommended Parts: A = Truck Stock; B = Dist. Stock * = Not Shown A/R = As Required</p>				

Auto Top-Off (ATO) Jug In Box (JIB) Pump



Item No.	Part No.	Description	Qty.	Stocking Level
1	180713-001	ATO (JIB) pump service pack	1	A
1	180713-002	ATO (JIB) pump service pack (CE)	1	A
2	175719-002	- ATO pump cord	1	
3	EC01-109	- Crimp wire connector	3	

Item No.	Part No.	Description	Qty.	Stocking Level
4	FP01-331	90 SNAP-IN 1/2 hose barb elbow	1	
5	163895	Str-QDISC X 15/16-16 45 flare	1	

Recommended Parts: A = Truck Stock; B = Dist. Stock
 * = Not Shown

Flexible Oil Lines

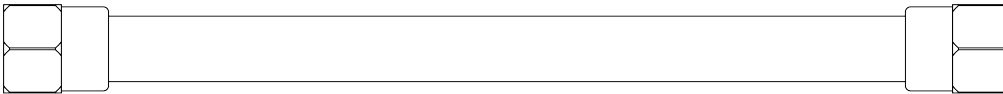
Stainless Steel Braided Flexible Oil Lines

Port	Config					
	2	3	4	5	6	
FF	x	220	x	240	x	
SS	180	220	x	240	220	
FS	x	220	x	240	220	
SF	180	220	x	240	x	
FFF	x	220	x	360	240	
FFF	300	220	x	360	240	

6 Port Selector Valve Braided Tubes

Port	Config									
	2	3	4	5	7	8	9	10		
SSS	180	220	x	x	360	300	300	220		
FSS	x	220	x	x	360	300	300	220		
FFS	x	220	x	x	360	300	240	x		
SFF	180	220	x	x	360	x	300	220		
SFF	180	220	x	x	360	x	240	x		
SSSS	180	220	360	300	360	300	300	220		
FSSS	180	220	x	300	360	300	300	220		
FFSS	x	220	x	300	360	300	300	220		
FFFS	x	220	x	300	360	300	240	x		
SSSF	180	220	360	300	360	x	300	220		
SSFF	180	220	360	300	360	x	240	x		
SFFF	x	220	360	300	360	x	240	x		

10 Port Selector Valve Braided Tubes



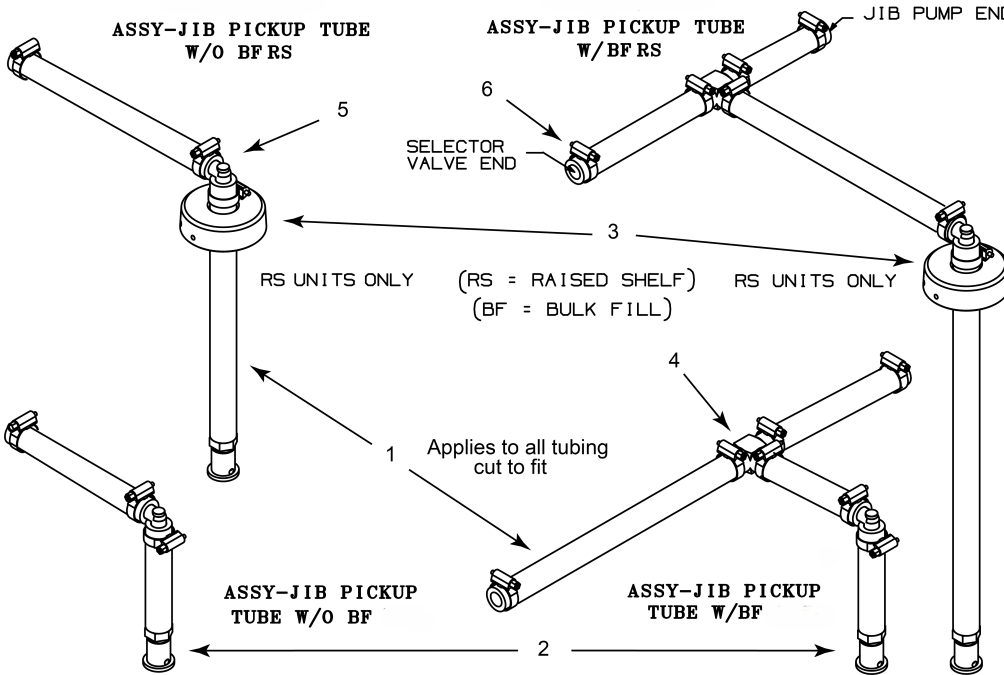
Note:

- Bend radii, no smaller than .75 in. (1.905 cm)
- No bends within .5 in. (1.27 cm) of end nut
- Hold mating fitting while end nut is being tightened
- End nut maximum torque: 43 lbf-ft (58 N-m)

Item No.	Part No.	Description	Qty.	Stocking Level
1	163877-120	Braided oil line, 3/4 in (19 mm) OD, 12 in (31 cm) long	A/R	
1	163877-160	Braided oil line, 3/4 in (19 mm) OD, 16 in (41 cm) long	A/R	
1	163877-180	Braided oil line, 3/4 in (19 mm) OD, 18 in (46 cm) long	A/R	
1	163877-200	Braided oil line, 3/4 in (19 mm) OD, 20 in (51 cm) long	A/R	
1	163877-220	Braided oil line, 3/4 in (19 mm) OD, 22 in (56 cm) long	A/R	
1	163877-240	Braided oil line, 3/4 in (19 mm) OD, 24in (61 cm) long	A/R	
1	163877-300	Braided oil line, 3/4 in (19 mm) OD, 30 in (76 cm) long	A/R	
1	163877-360	Braided oil line, 3/4 in (19 mm) OD, 36 in (91 cm) long	A/R	

Recommended Parts: A = Truck Stock; B = Dist. Stock
*** = Not Shown**
A/R = As Required

Silicone Flexible Oil Lines

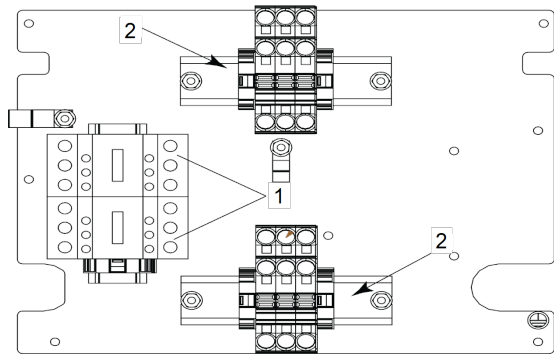


Item No.	Part No.	Description	Qty.	Stocking Level
1	MS01-754	Silicone hose	A/R	
2	FP01-228	Barb-1/2 hose x 3/8 NPT nylon	1	
2	161399	JIB oil pickup	1	
3	186312	JIB cap	1	
4	FP01-345	- Nylon barbed tee	A/R	
5	FP01-348	- Nylon barbed elbow	1	

Item No.	Part No.	Description	Qty.	Stocking Level
6	MS01-297	- Hose clamp	A/R	
Recommended Parts: A = Truck Stock; B = Dist. Stock * = Not Shown A/R = As Required				

Contactors and Power Cord

Contactors and Terminal Blocks - Full Vat, 3+G, 14 kW Heating Element



Full Vat, 3+G, 14 kW Heating Element

Note:

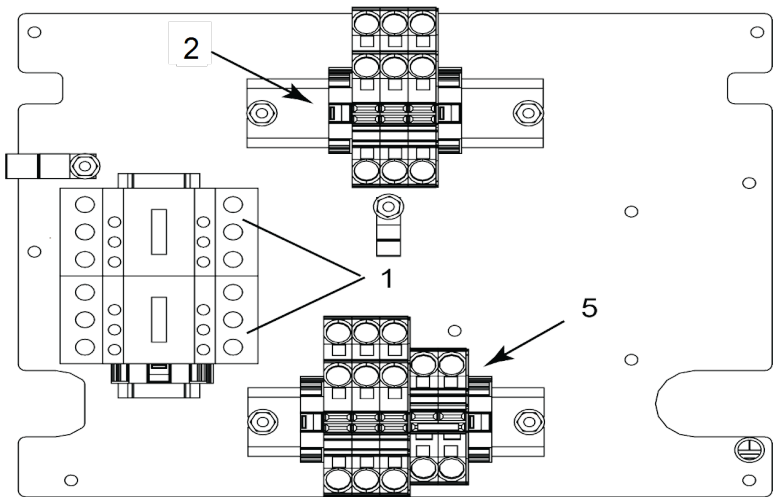
- 3+G = 3 phase and ground wires
- Contactor terminal screw torque: Line VAC power circuit, 22 lbf-in (2.5 N-m)
- Contactor terminal screw torque: 24 VDC control circuit, 15 lbf-in (1.7 N-m)

Contactors and Terminal Blocks - Full Vat, 3+G, 17 kW Heating Element

Note:

- 3+G = 3 phase and ground wires
- Contactor terminal screw torque: Line VAC power circuit, 22 lbf-in (2.5 N-m)
- Contactor terminal screw torque: 24 VDC control circuit, 15 lbf-in (1.7 N-m)

Contactors and Terminal Blocks - Full Vat, 3NG, 14 kW/17 kW Heating Element



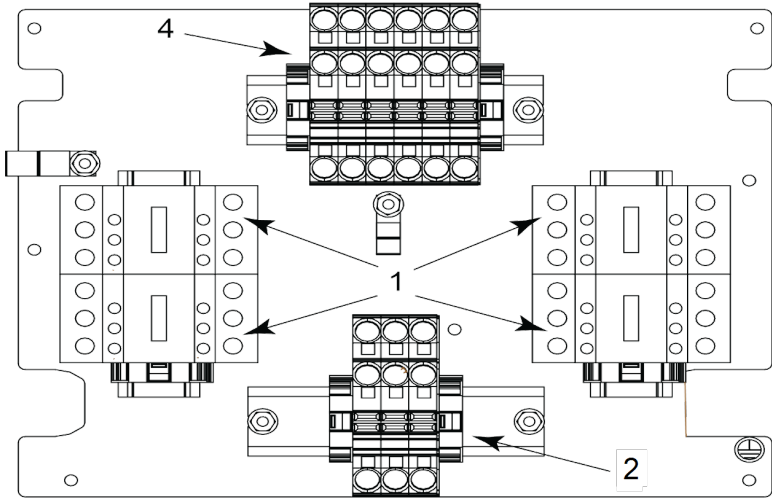
Full Vat, 3NG, 14 kW/17 kW Heating Element

Note:

- 3NG = 3 phase, neutral, and ground wires
- Contactor terminal screw torque: Line VAC power circuit, 22 lbf-in (2.5 N-m)

- Contactor terminal screw torque: 24 VDC control circuit, 15 lbf-in (1.7 N-m)

Contactors and Terminal Blocks - Split Vat, 3+G, 7 kW/8.5 kW Heating Element

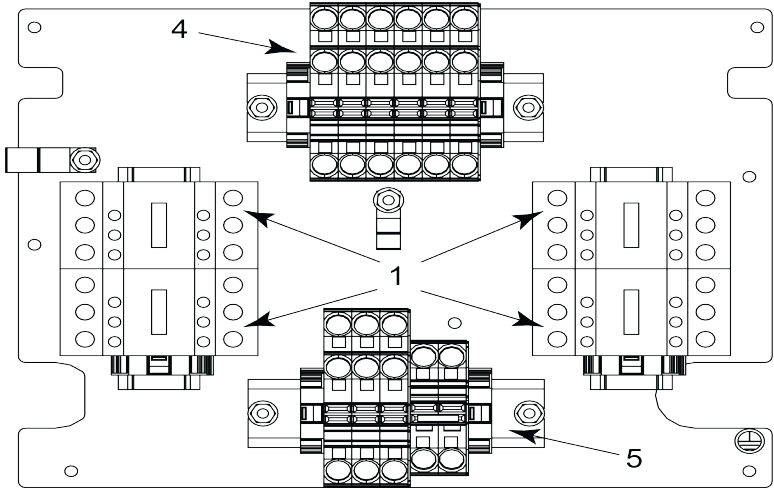


Split Vat, 3+G, 7 kW/8.5 kW Heating Element

Note:

- 3+G = 3 phase and ground wires
- Contactor terminal screw torque: Line VAC power circuit, 22 lbf-in (2.5 N-m)
- Contactor terminal screw torque: 24 VDC control circuit, 15 lbf-in (1.7 N-m)

Contactors and Terminal Blocks - Split Vat, 3NG, 7kW/8.5kW Heating Element



Split Vat, 3NG, 7 kW/8.5W Heating Element

Note:

- 3NG = 3 phase, neutral, and ground wires
- Contactor terminal screw torque: Line VAC power circuit, 22 lbf-in (2.5 N-m)
- Contactor terminal screw torque: 24 VDC control circuit, 15 lbf-in (1.7 N-m)

Item No.	Part No.	Description	Qty.	Stocking Level
1	175375	Contactor, 24 VDC	A/R	A
2	175681	Terminal block assembly-3, 3 pole	A/R	

Item No.	Part No.	Description	Qty.	Stocking Level
4	175679	Terminal block assembly-6, 3 pole	A/R	
5	175682	Terminal block assembly-3, 3 pole, -2, 2 pole	A/R	
<p>Recommended Parts: A = Truck Stock; B = Dist. Stock * = Not Shown A/R = As Required</p>				

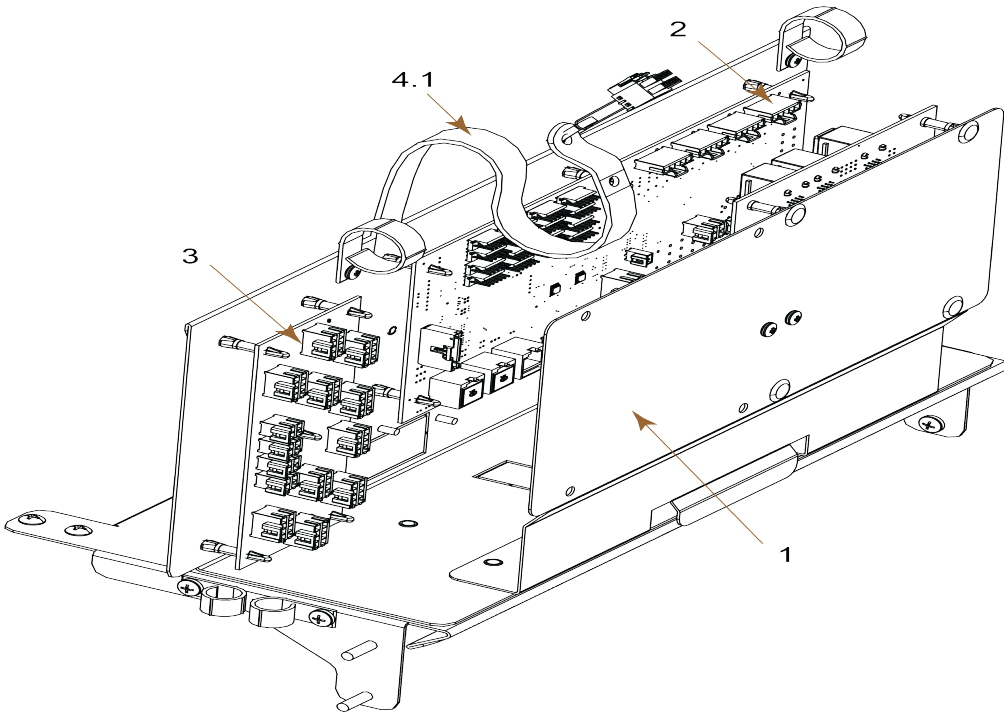
Power Cord Assemblies

Item No.	Part No.	Description	Qty.	Stocking Level
1*	164521-001	Power cord assembly, right angle plug, 208/240 VAC, 50 A, 3+G, N. America	A/R	
1*	164521-002	Power cord assembly, right angle plug, 208/240 VAC, 60 A, 3+G, N. America	A/R	
1*	164520-001	Power cord assembly, straight plug, 208/240 VAC, 50 A, 3+G, N. America	A/R	
1*	164520-002	Power cord assembly, straight plug, 208/240 VAC, 60 A, 3+G, N. America	A/R	

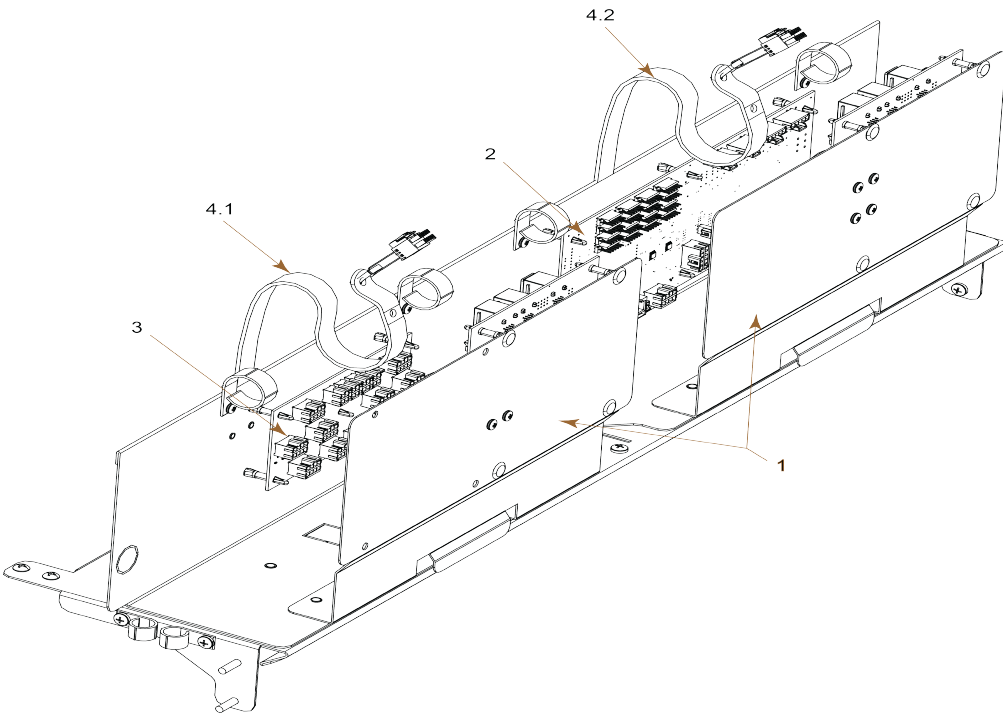
Item No.	Part No.	Description	Qty.	Stocking Level
1*	168890-001	Power cord assembly, pin and sleeve, 3NG, CE		
1*	168890-002	Power cord assembly, straight plug, 3NG, Hong Kong / Singapore		
1*	179978	Power cord assembly, straight plug, ground clamp, 3NG, AU	A/R	
1*	179980	Power cord assembly, straight plug, ground clamp, 3NG, NZ	A/R	
<p>Recommended Parts: A = Truck Stock; B = Dist. Stock * = Not Shown A/R = As Required</p>				

Mid Shelf and PMU/OMS Mounting

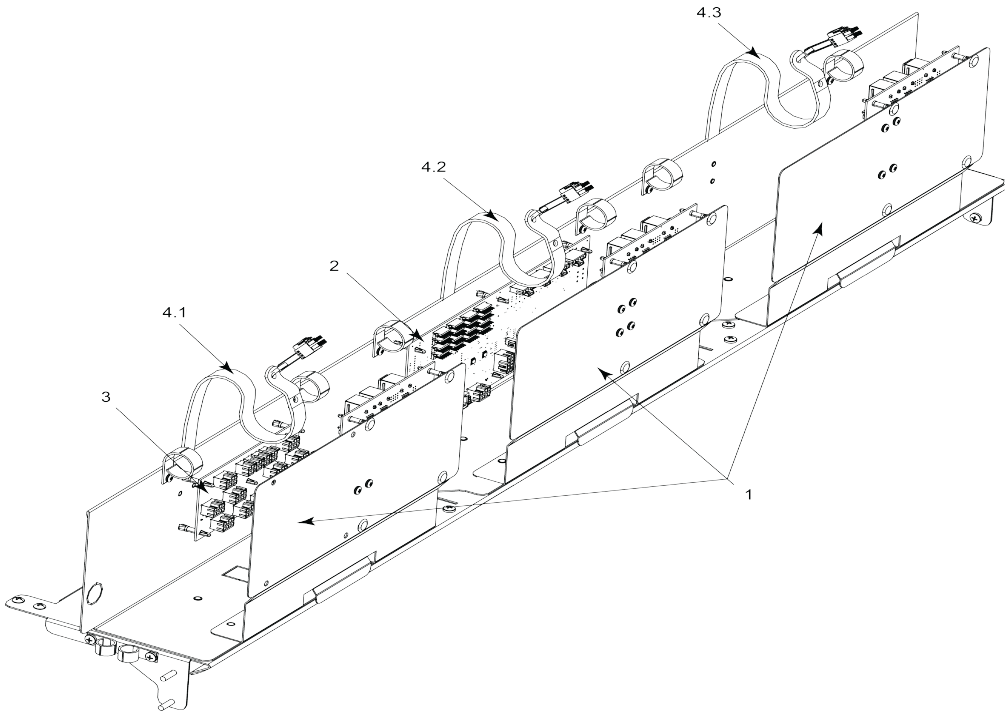
Mid Shelf OFE-511



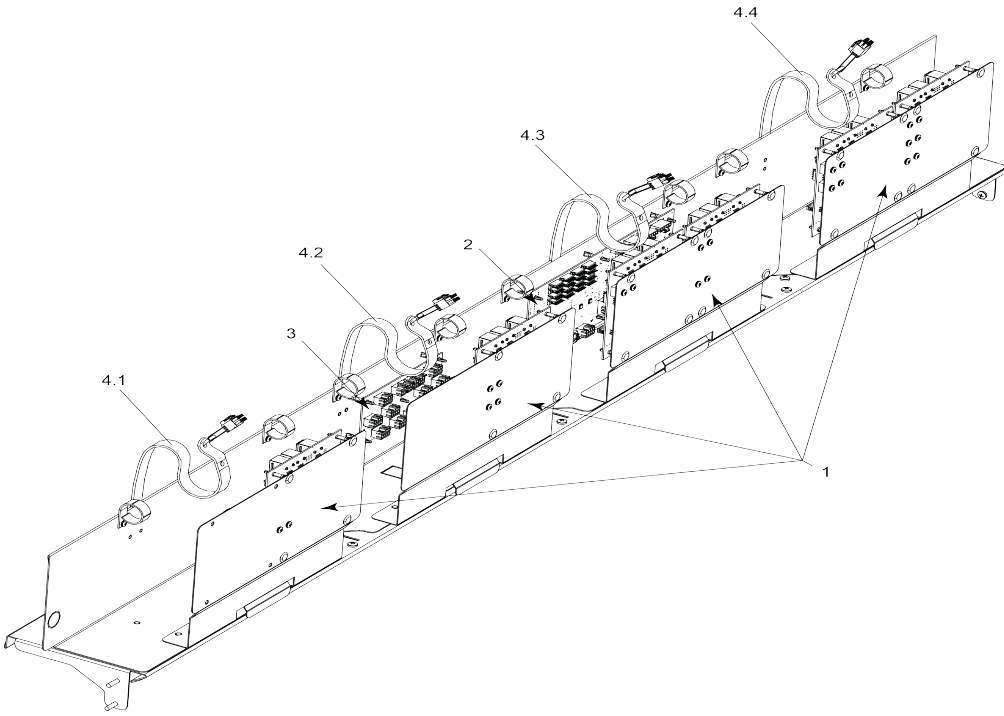
Mid Shelf OFE-512



Mid Shelf OFE-513



Mid Shelf OFE-514



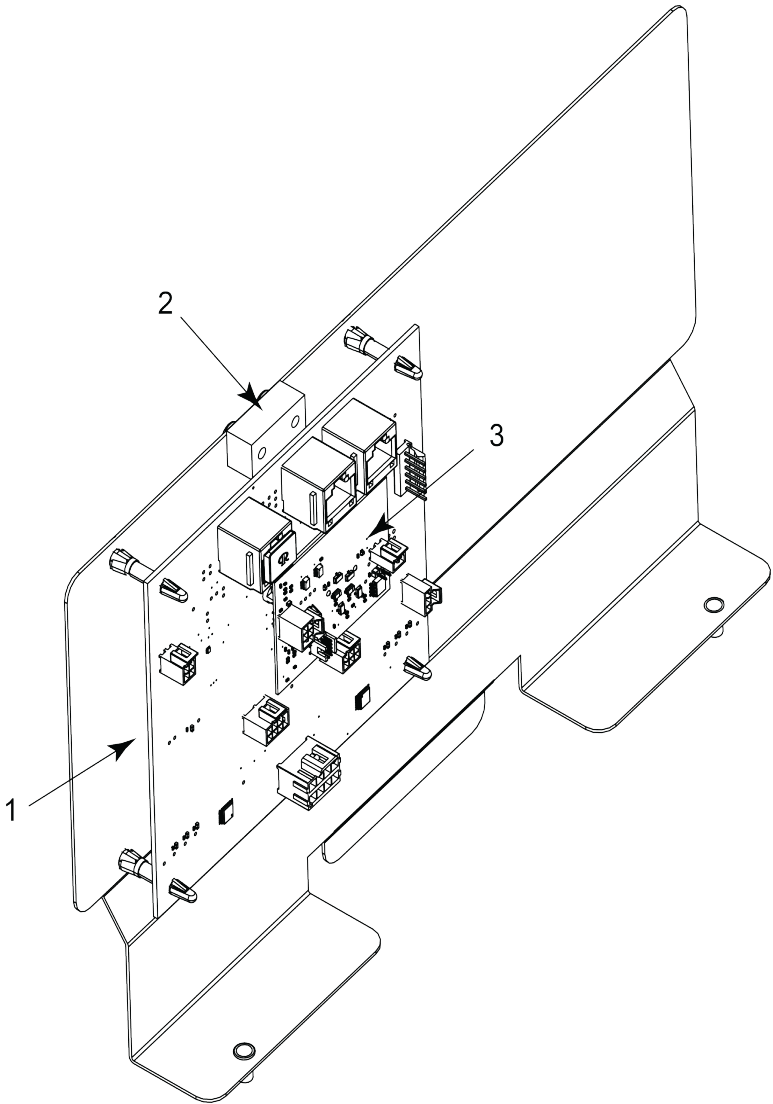
Mid Shelf Components

Item No.	Part No.	Description	Qty.	Stocking Level
1		See PMU Mounting Components	1	
2	180706	OMS board service pack	1	A
3	180707	Power distribution board service pack	1	A

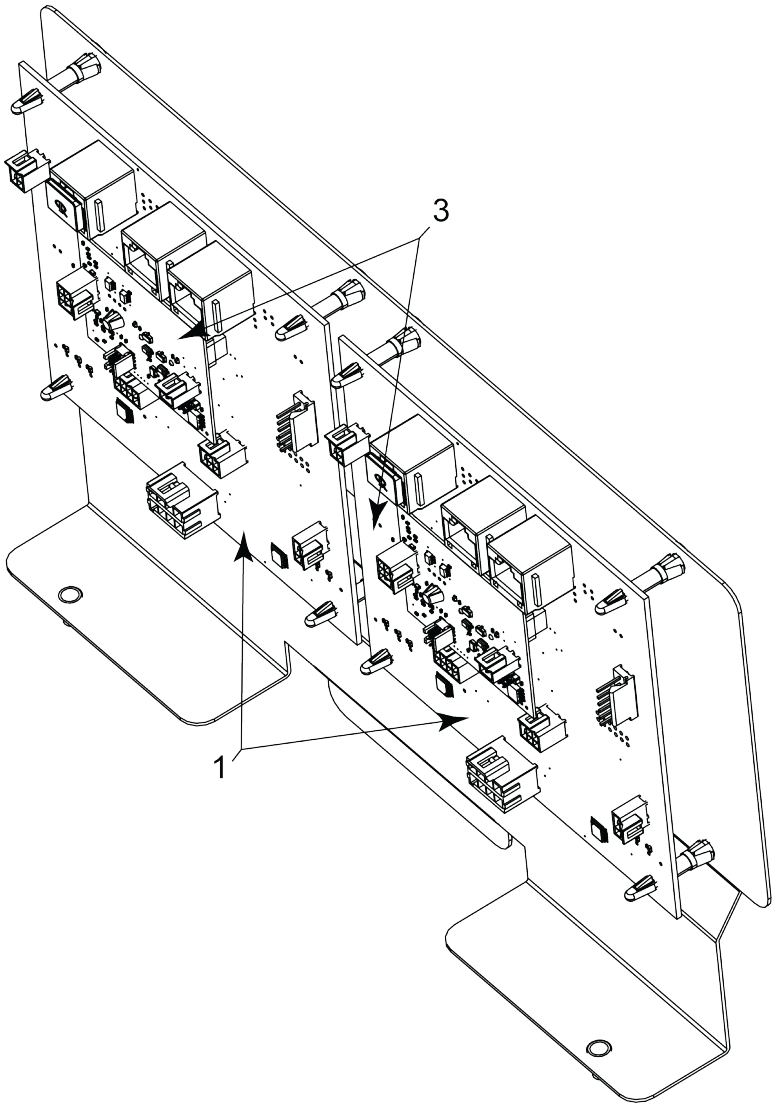
Item No.	Part No.	Description	Qty.	Stocking Level
4.1	180708-001	Control panel location address dongle service pack, Well 1	1	B
4.2	180708-002	Control panel location address dongle service pack, Well 2	A/R	B
4.3	180708-003	Control panel location address dongle service pack, Well 3	A/R	B
4.4	180708-004	Control panel location address dongle service pack, Well 4	A/R	B
5*	185016	High limit (red) reset control switch	A/R	A
6*	EF02-104	Fuse holder	1	A
7*	FA52-015	ATO pump fuse, 1.5 A	1	A
		Mid Shelf Cover (See Chassis Exterior)	1	
8*	175546-120	1 ft. Communication cable	A/R	
9*	175546-240	2 ft. Communication cable	A/R	

Item No.	Part No.	Description	Qty.	Stocking Level
10*	175546-360	3 ft. Communication cable	A/R	
<p>Recommended Parts: A = Truck Stock; B = Dist. Stock * = Not Shown A/R = As Required</p>				

PMU Mounting - Full Vat



PMU Mounting-Split Vat



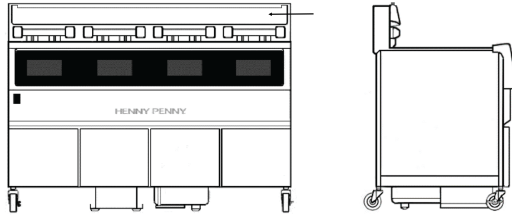
PMU Mounting Components

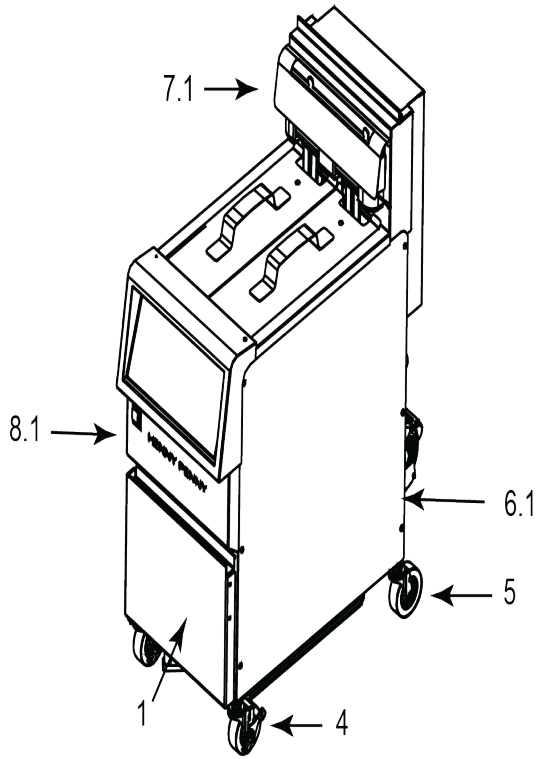
Item No.	Part No.	Description	Qty.	Stocking Level
1	180703	PMU board service pack	A/R	A
2	180704	Magnet ID service pack	A/R	A
3	180705-001	High limit board service pack	A/R	A

Recommended Parts: A = Truck Stock; B = Dist. Stock
 * = Not Shown
 A/R = As Required

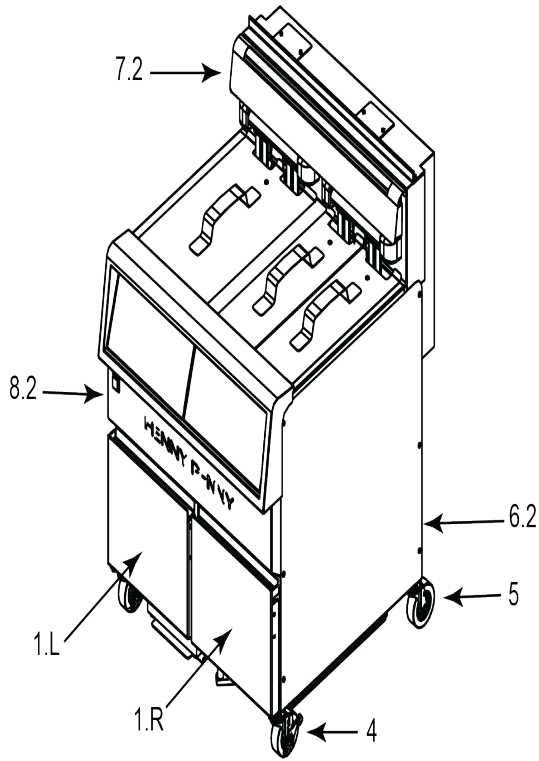
Chassis Exterior

Chassis Exterior

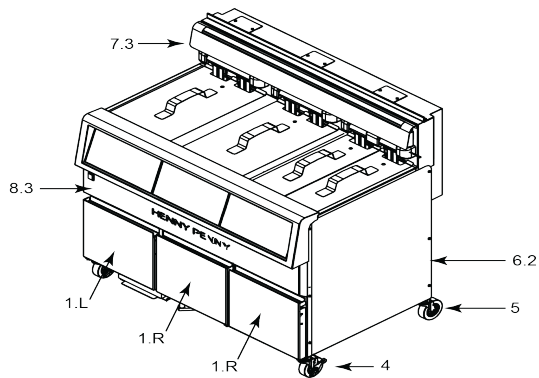




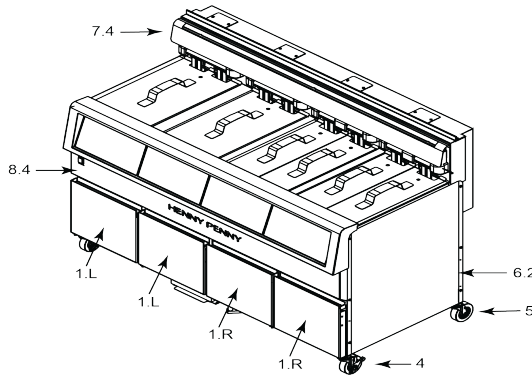
Chassis Exterior - OFE 512



Chassis Exterior - OFE 513



Chassis Exterior - OFE 514



Item No.	Part No.	Description	Qty.	Stocking Level
1	176628	OFE 511 Door assembly	1	
1.L	175477	OFE 512, 513, 514 Left hinge door assembly	A/R	
1.R	175480	OFE 512, 513, 514 Right hinge door assembly	A/R	
2.L*	172897-001	Left hinge hardware service pack	A/R	
2.R*	172897-002	Right hinge hardware service pack	A/R	
3*	172972	Door bushing/clip service pack (Set of 4)	1	
4	172895	Locking (front) caster service pack	2	

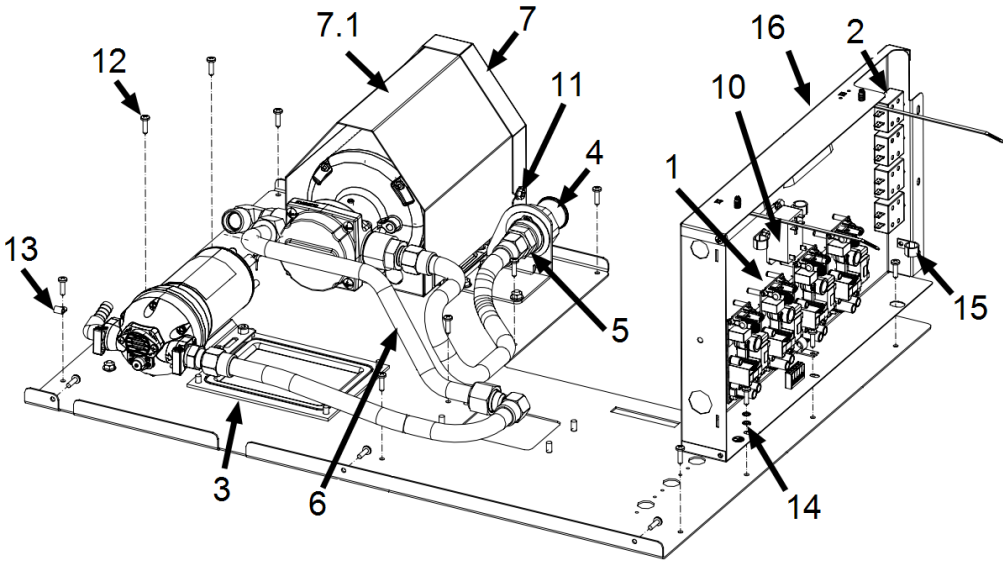
Item No.	Part No.	Description	Qty.	Stocking Level
5	172896	Non-locking (rear) caster service pack	2	
6.1	164568	OFE 511 Side panel	2	
6.2	164577	OFE 512, 513, 514 Side panel	2	
7.1	164001	OFE 511 Basket hanger	1	
7.2	162309	OFE 512 Basket hanger	1	
7.3	163234	OFE 513 Basket hanger	1	
7.4	163246	OFE 514 Basket hanger	1	
8.1	180037	OFE 511 Mid shelf cover	1	
8.2	179409	OFE 512 Mid shelf cover	1	
8.3	180038	OFE 513 Mid shelf cover	1	
8.4	180044	OFE 514 Mid shelf cover	1	
9*	162759	Door magnet	1	
-	-	Control panel (See Control Panel)	A/R	
-	-	Power switch (See Control Panel)	1	

Item No.	Part No.	Description	Qty.	Stocking Level
-	-	Power switch decal (See Control Panel)	1	
<p>Recommended Parts: A = Truck Stock; B = Dist. Stock * = Not Shown A/R = As Required</p>				

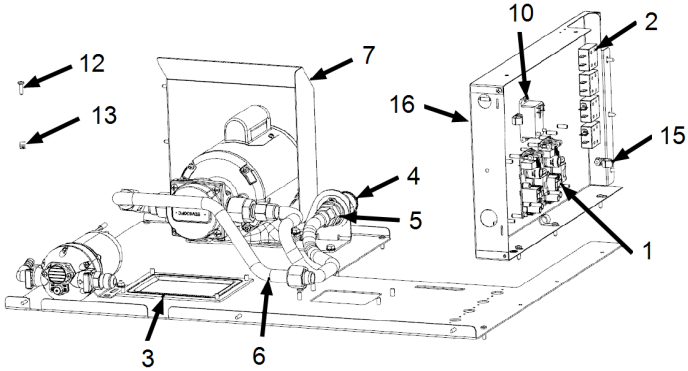
Chassis Interior

Interior

Chassis Interior - 2 well, 3 well, 4 well



Chassis Interior - CE



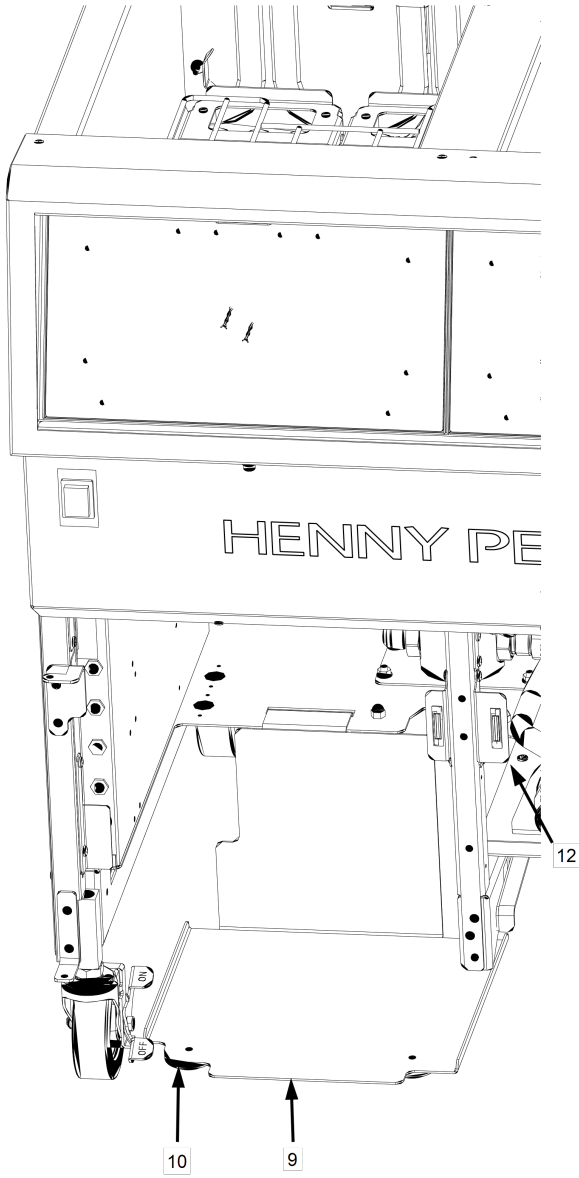
Chassis Interior Components

Item No.	Part No.	Description	Qty.	Stocking Level
1	177306	Power supply, 24 VDC (Change from qty. 4 to qty. 2 starting SN:LC2509208)	2	A
2	EF02-125	Circuit breaker, 15 A	4	A
3	186295	Drain trough spout gasket service pack	1	
4	180676	Filter pan plug and play service pack	1	
5	164642	Plug and play connector fitting	1	

Item No.	Part No.	Description	Qty.	Stocking Level
6	175541	OFE 512, 513, 514 Pump outlet tube assembly	1	
7	140965	Kit, motor shield (CE) (SN: LC2507030 & Below)	1	
7	181385	Motor shield assembly (CE) (SN: LC2507031 & Above)	1	
7.1	179555	-Motor shield (CE) (SN: LC2507031 & Above)	1	
8*	181198	Motor reset cover (CE)	1	
8.1*	SC01-285	8/32" x 3/8" thumb, SS screw	1	
9*	82914	EMC filter board (CE)	1	
10	ME90-008	Pump motor relay, 30amp, 12VDC	1	A
11*	NS04-004	Serrated flanged locknut, 10-24	A/R	
12	SC03-006	Screw, #10 x 3/4 Phillips	A/R	
13	EF02-058	Nylon clamp, 3/16 DX 3/8	A/R	
14*	LW02-005	Lock Washer, 10 internal	A/R	
15	EF02-184	Clamp	A/R	

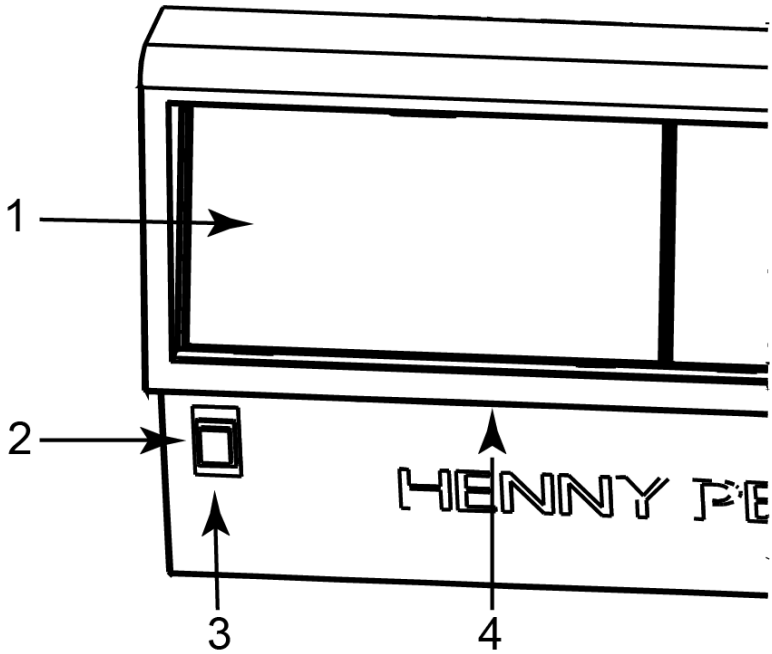
Item No.	Part No.	Description	Qty.	Stocking Level
16	177867	Power enclosure box	1	
17*	140975	Power Box Cover Kit (SN: LC2505020 & Before) (Only for power boxes w/ louvers)	A/R	
<p>Recommended Parts: A = Truck Stock; B = Dist. Stock * = Not Shown A/R = As Required</p>				

ATO Reservoir JIB Shelf



Item No.	Part No.	Description	Qty.	Stocking Level
9	161395	OFE 512, 513, 514 ATO reservoir (JIB) shelf assembly	1	
10	172898	- Shelf glide service pack (Set of 2)	1	
12	162759	Door magnet	A/R	
13*	161149	OFE 511 ATO reservoir box	1	
-	-	OFE 512, 513, 514 ATO (JIB) jug (See Accessories)	1	
Recommended Parts: A = Truck Stock; B = Dist. Stock * = Not Shown A/R = As Required				

Control Panel



Item No.	Part No.	Description	Qty.	Stocking Level
1	180712	Service Pack - Control Panel Assembly	A/R	B
1*	ME70-008	- Speaker	1	A
2	52224	Covered power switch	1	A
3	81837	Power switch decal	1	
4	180711	USB port service pack	A/R	

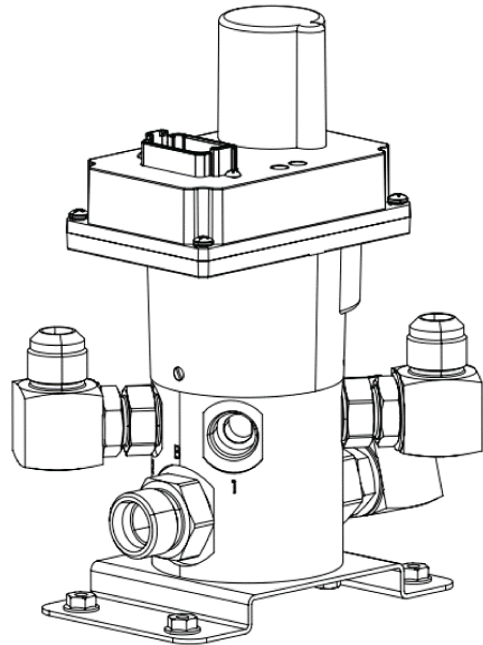
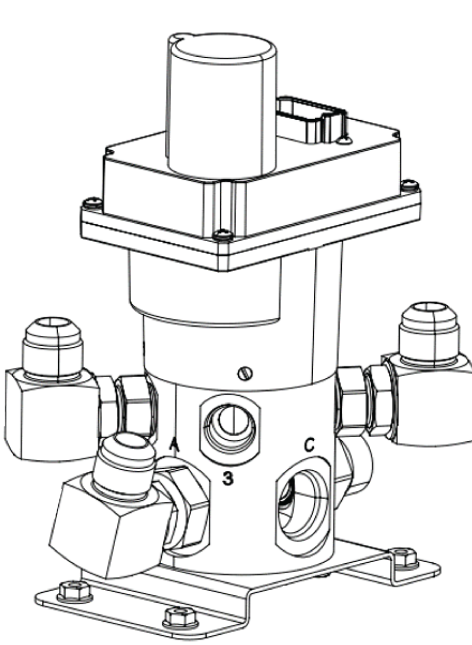
Item No.	Part No.	Description	Qty.	Stocking Level
5*	161861	Behind control seal, top	A/R	
6*	163093	Behind control seal, left/right	A/R	
Recommended Parts: A = Truck Stock; B = Dist. Stock * = Not Shown				

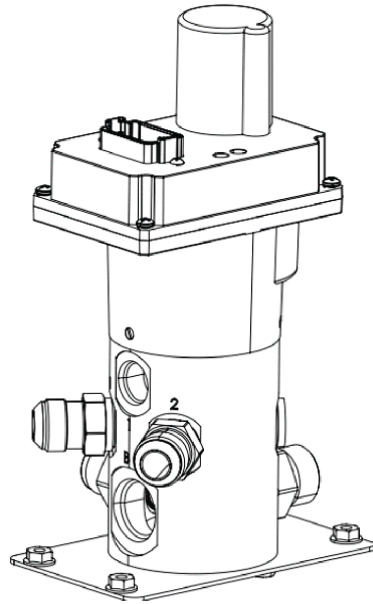
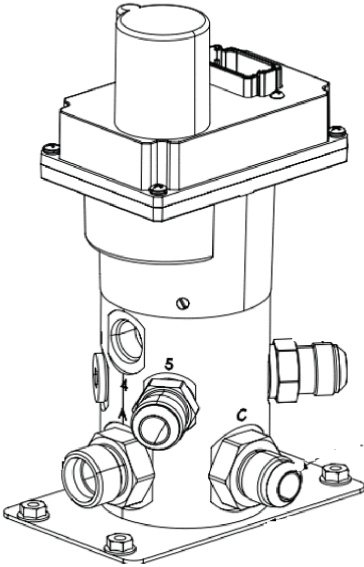
Selector Valve

IMPORTANT:

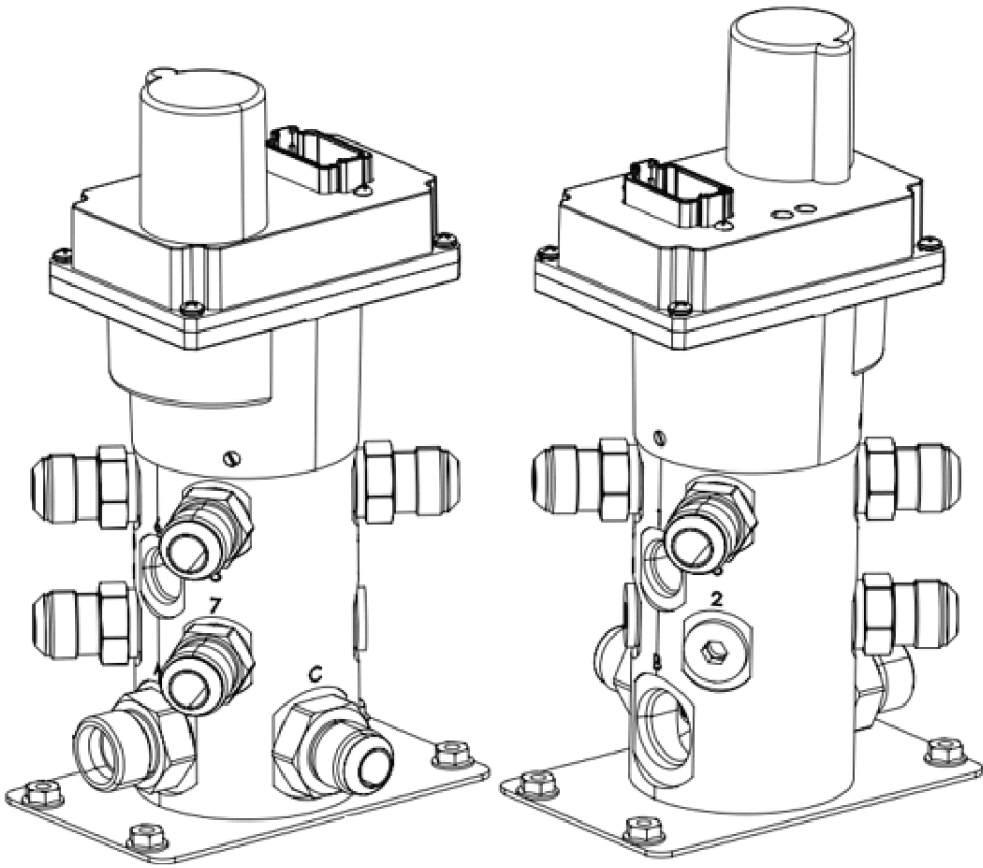
- Fitting arrangements vary by the number of ports and application.
- An unused port is sealed with a plug.
- SAE 8 fittings are for out ports, and SAE 12 fittings are for common in ports.

4 Port - 3.1





10 Port - 3.3



Selector Port Components

Item No.	Part No.	Description	Qty.	Stocking Level
1	182774	Emulator Encoder Motor	1	B

Item No.	Part No.	Description	Qty.	Stocking Level
2^	186886-001	Emulator Encoder Harness	1	
3.1	170144-002	Service Pack - 4 Port Selector Valve NOTE: Fittings and plumbing not included.	1	
3.2	170144-003	Service Pack - 6 Port Selector Valve NOTE: Fittings and plumbing not included.	1	
3.3	170144-004	Service Pack - 10 Port Selector Valve NOTE: Fittings and plumbing not included.	1	
4	FP01-346	Plug, SAE 8 (upper port (out))	A/R	
5	165436	Elbow, SAE 8 X 15/16 fitting (upper port (out)) (4-port only)	A/R	
6	159818	Straight, SAE 8 X 15/16 fitting (upper port (out))	A/R	

Item No.	Part No.	Description	Qty.	Stocking Level
7*	162394	Elbow check valve, SAE 12 X 15/16 fitting (lower port (in)) (4-port only)	A/R	
8*	159823	Straight check valve, SAE 12 X 1-1/16 fitting (lower port (in))	A/R	
9*	159820	Straight check valve, SAE 12 X 15/16- fitting (JIB port in "C")	A/R	
<p>Recommended Parts: A = Truck Stock; B = Dist. Stock * = Not Shown A/R = As Required</p>				

Electrical

Rear Enclosure Wiring

Item No.	Part No.	Description	Qty.	Stocking Level
1.1	174492-001	Full vat element wiring service pack, 208-240 VAC, 3+G, 14 kW	1	
1.2	174492-002	Split vat element wiring service pack, 208-240 VAC, 3+G	1	

Item No.	Part No.	Description	Qty.	Stocking Level
1.3	175646-001	Full vat element wiring service pack, 208-240 VAC, 3+G, 17 kW	1	
1.4	175750-001	Full vat element wiring service pack, 380-415 VAC, 3NG	1	
1.5	175750-002	Split vat element wiring service pack, 380-415 VAC, 3NG	1	
2.1	TBD2.1	Primary well wiring service pack, 3+G, Non-interlock	1	
2.2	TBD2.2	Primary well wiring service pack, 3NG, Non-interlock	1	
2.3	TBD2.3	Primary well wiring service pack, 3+G, Interlock	1	
2.4	TBD2.4	Primary well wiring service pack, 3NG, Interlock	1	
<p>Recommended Parts: A = Truck Stock; B = Dist. Stock * = Not Shown A/R = As Required</p>				

Power Box Wiring

Item No.	Part No.	Description	Qty.	Stocking Level
1.1	175946-001	Power box wiring service pack, Non-interlock	1	
1.2	176076-001	Power box wiring service pack, 5-wire interlock	1	
1.3	176081-001	Power box wiring service pack, 3-wire interlock	1	
<p>Recommended Parts: A = Truck Stock; B = Dist. Stock * = Not Shown A/R = As Required</p>				

Contact Technical Support by:

- phone:
U.S. and Canada: +1-800-417-8405
Global: +1-937-456-8405
- text:
+1-937-456-8405
- email: [tech-nicalservices@hennypenny.com](mailto:technicalservices@hennypenny.com)
- [live chat](#)

Contact Parts by:

- email: parts-department@hennypenny.com

Contact Warranty by:

- email: warranty@hennypenny.com



Copyright belongs to Henny Penny Corporation 2025 All rights reserved.

Henny Penny Corporation
1219 U.S. 35, Eaton, OH
45320
1-937-456-8400
1-800-417-8417
www.hennypenny.com