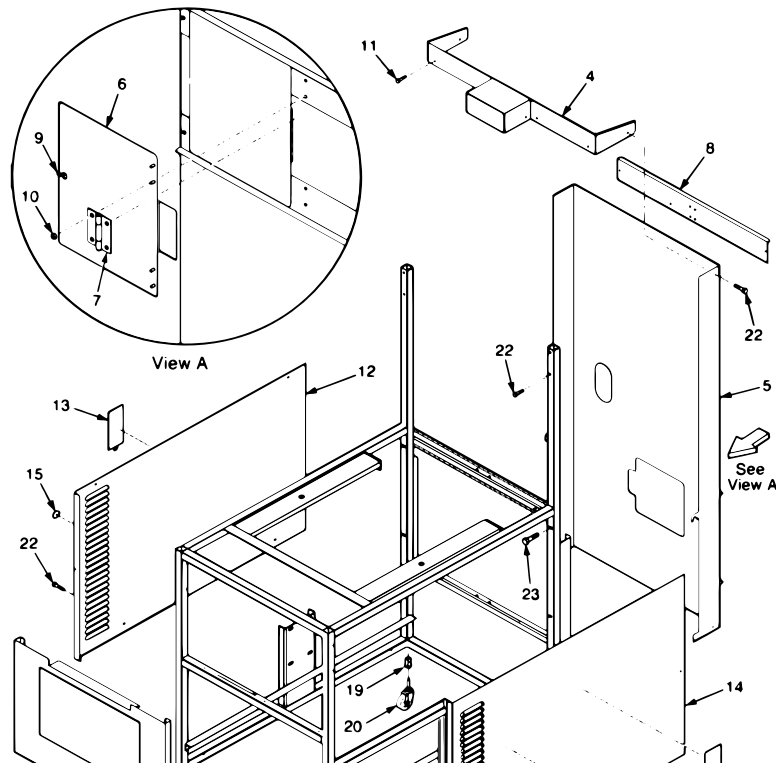




For the most up-to-date parts information, visit
<https://parts.hennypennyhelp.com>.

Frame and Cover Assembly



Item No.	Part No.	Description	Qty.	Stocking Level
1	39796	Control panel front weldment	1	
2	53669	Power switch guard	1	
3	29898	Power switch	1	A
3*	176400	- Power switch cover (CE)	1	A
4	55608	Rear shroud top cover	1	
5	58261	Rear shroud access assembly	1	
6	58258	Access cover stud assembly	1	
7	58256	Leaf hinge, 2 inch	2	



For the most up-to-date parts information, visit
<https://parts.hennypennyhelp.com>.

Item No.	Part No.	Description	Qty.	Stocking Level
8	62056	Rear shroud brace	2	
9	NS03-033	Wing nut, 10-24, SS	1	
10	NS03-002	Acorn nut, 10-24	8	
11	SC03-005	Screw, SD, 8 X 1/2, CT, PHD	4	
12	66940	Left side panel	1	
13	36337	Access door	1	
14	66941	Right side panel	1	
15	PL01-035	Pilot view cover	2	
16	36337	Access cover	1	
17	51741	Gas valve wire cover	1	
19	54225	Threaded leg insert, 1 in (SN BT0802003 & Above)	2	
20	35154	Swivel caster, plain stem, 4 in (SN BT0802002 & Below)	2	
20	53673	Swivel caster, threaded stem, 4 in (SN BT0802003 & Above)	2	
21	37246	Swivel lock caster with brake	2	
22	SC03-005	Screw	8	
23	SC01-215	Screw	4	
24	03156	Tether kit	1	
25*	51801	Drain pan runner (SN below HH001JJ)	2	



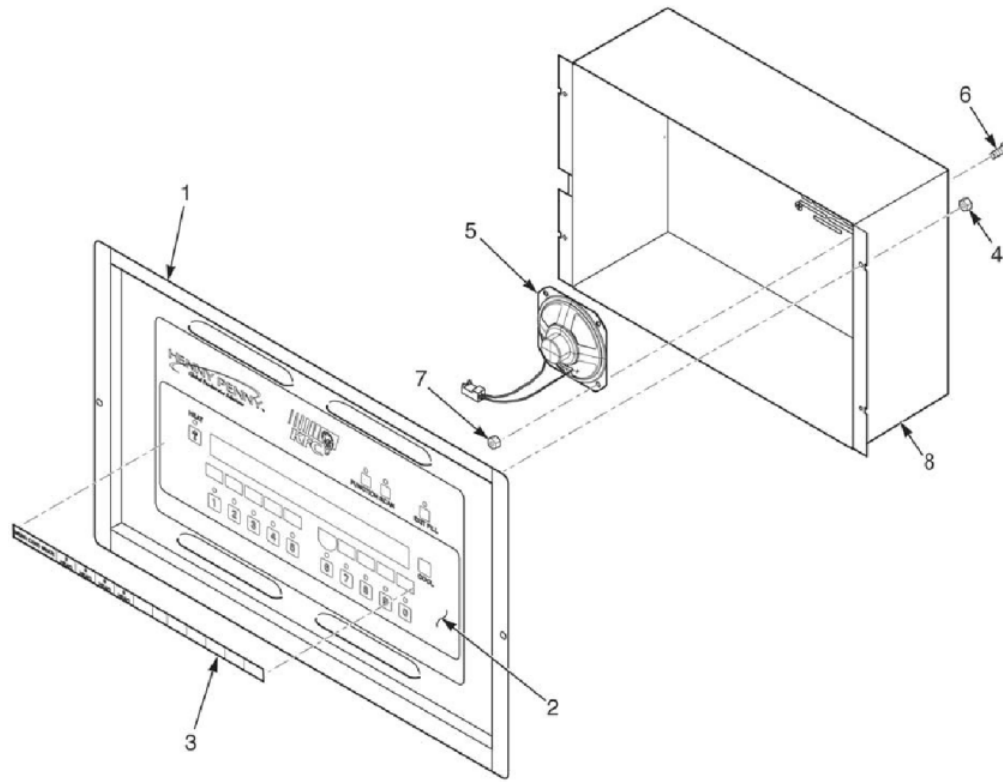
For the most up-to-date parts information, visit
<https://parts.hennypennyhelp.com>.

Item No.	Part No.	Description	Qty.	Stocking Level
	12199	Oil test kit	A/R	
Recommended Parts: A = Truck Stock; B = Dist. Stock * = Not Shown				



For the most up-to-date parts information, visit
<https://parts.hennypennyhelp.com>.

Control Panel Assembly



Item No.	Part No.	Description	Qty.	Stocking Level
1	14418	SMS 20 control, UL	1	B
1	14749	SMS 20 control, CE (Single 15 pin connector rear of board)	1	B
2	97383	Control decal	1	
3	92495	Menu card	1	
4, 7	NS02-005	Hex keps nut, #6-32, coated	4	
5	51877	Speaker assembly	1	A



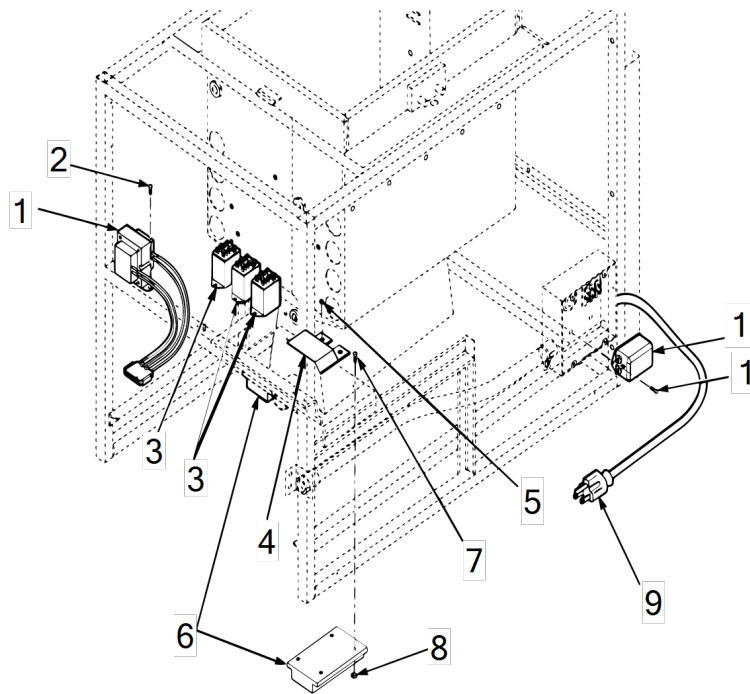
For the most up-to-date parts information, visit
<https://parts.hennypennyhelp.com>.

Item No.	Part No.	Description	Qty.	Stocking Level
6	SC01-049	Screw, #6-32 X 3/8, CT, coated	4	
9*	152487	USB port / cable assembly	1	
9*	152488	USB cap	1	
Recommended Parts: A = Truck Stock; B = Dist. Stock * = Not Shown				



For the most up-to-date parts information, visit
<https://parts.hennypennyhelp.com>.

Electrical Controls



Item No.	Part No.	Description	Qty.	Stocking Level
1	60207	Transformer assembly, 120/24 VAC	1	A
1	60536	Transformer assembly, 240/24 VAC	1	A
2	SC03-005	Screw (Qty. 50)	2	
3	81914	Power/pump relay, 120 VAC	1	A
3	56394	Power/pump relay, 240 VAC	1	A
4	60818	Ignition relay, 24 VAC	2	A
5	62053	Right burner wire shield	1	
6	14932	Ignition module kit, non-CE (S/N BT0803002 and below)	2	A



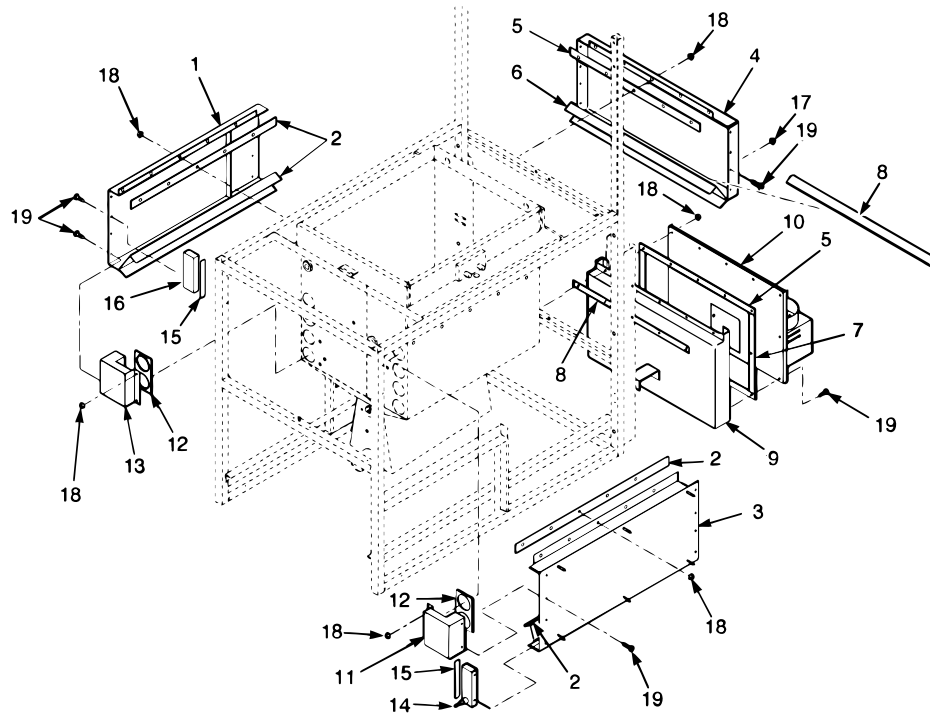
For the most up-to-date parts information, visit
<https://parts.hennypennyhelp.com>.

Item No.	Part No.	Description	Qty.	Stocking Level
6	77839	Ignition module, non-CE (S/N BT0803003 and above)	2	A
6	14921	Ignition module kit, CE (S/N BT0803002 and below)	2	A
6	77602	Ignition module, CE (S/N BT0803003 and above)	2	A
7	SC01-248	Screw, #10-32 X 1-1/8 in, CT, SS (Qty. 50)	4	
8	NS02-001	Hex keps nut, #10-32, coated (Qty. 50)	4	
9	152411-006	Power cord, 120 VAC	1	C
10	54988	EMC filter, CE	1	
11	SC01-006	Screw, #10-32 X 3/8, CT, THD, coated (Qty. 50)	2	
12*	NS02-005	Hex keps nut, #6-32, coated (Qty. 50)	4	
13*	77923-01	Suppression cable, 18 in	1	
13*	77923-02	Suppression cable, 12 in	1	
14*	18102	Junction box	1	
15*	ME50-021	Terminal block	1	
Recommended Parts: A = Truck Stock; B = Dist. Stock * = Not Shown				



For the most up-to-date parts information, visit
<https://parts.hennypennyhelp.com>.

Vat Covers and Insulation



Item No.	Part No.	Description	Qty.	Stocking Level
1	52799	Left chamber insulation assembly	1	
2	52041	Chamber mounting insulation	4	
3	52798	Right chamber insulation assembly	1	
4	52800	Rear chamber insulation assembly	1	
5	52038	Lower chamber duct insulation	3	
6	52040	Rear chamber insulation	1	
7	51897	Lower chamber cover insulation	2	
8	52039	Chamber collar insulation	2	



For the most up-to-date parts information, visit
<https://parts.hennypennyhelp.com>.

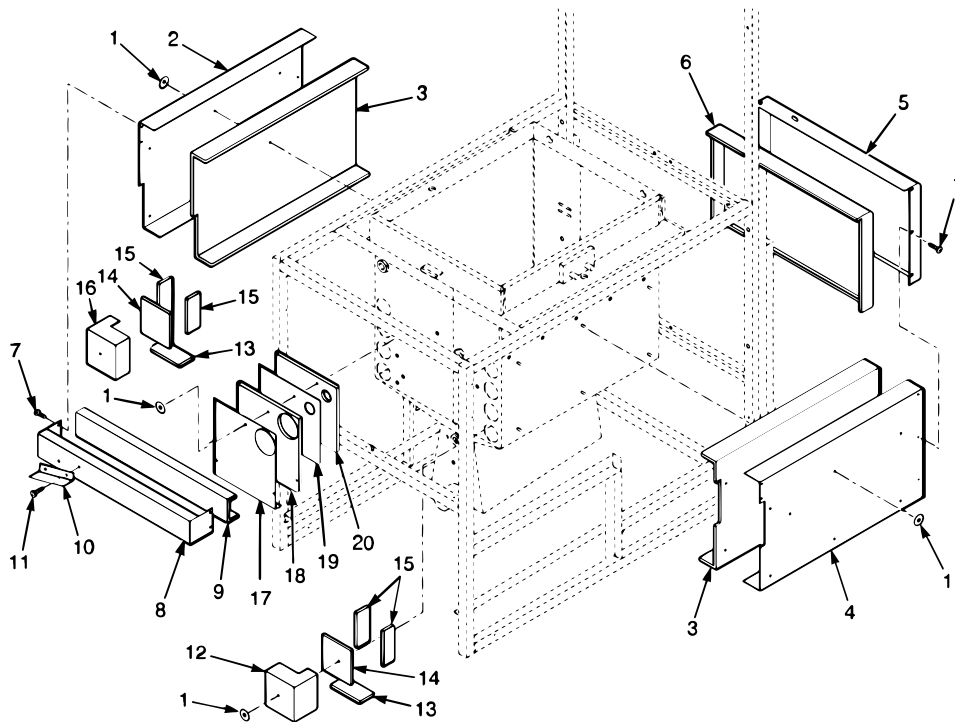
Item No.	Part No.	Description	Qty.	Stocking Level
9	52120	Lower chamber duct assembly	1	
10	21980-01	Dilution box, natural and propane, domestic and non-CE International	1	
10	21980-02	Dilution box, propane, CE	1	
10	21980-03	Dilution box, natural, CE	1	
10	21980-04	Dilution box, propane, domestic and non-CE International, 4000 ft and above	1	
10	21980-05	Dilution box, natural, domestic and non-CE International, 4000 ft and above	1	
11	52795	Right chamber insulation/tube assembly	1	
12	52792	Tube to chamber insulation	2	
13	52794	Left chamber insulation/tube assembly	1	
14	52797	Lower chamber cap/insulation assembly	1	
15	52793	Chamber cap insulation	2	
16	52796	Upper chamber cap/insulation assembly	1	
17	NS02-005	Hex keps nut, #6-32, coated	5	
18	NS02-006	Hex keps nut, #10-24, coated	34	
19	SC02-014	Screw, #8 AB X 3/8, CT, #400, SS	27	

Recommended Parts: A = Truck Stock; B = Dist. Stock
*** = Not Shown**



For the most up-to-date parts information, visit
<https://parts.hennypennyhelp.com>.

Insulation Covers



Item No.	Part No.	Description	Qty.	Stocking Level
1	WA02-001	Insulation washer, 1-1/2 diameter	17	
2	51763	Left insulation cover	1	
3	51892	Chamber side insulation	2	
4	51765	Right insulation cover	1	
5	51759	Rear insulation cover	1	
6	51893	Rear chamber insulation	1	
7	SC02-014	Screw, #8-AB X 3/8, CT, #400, SS	10	
8	51739	Top front insulation panel	1	



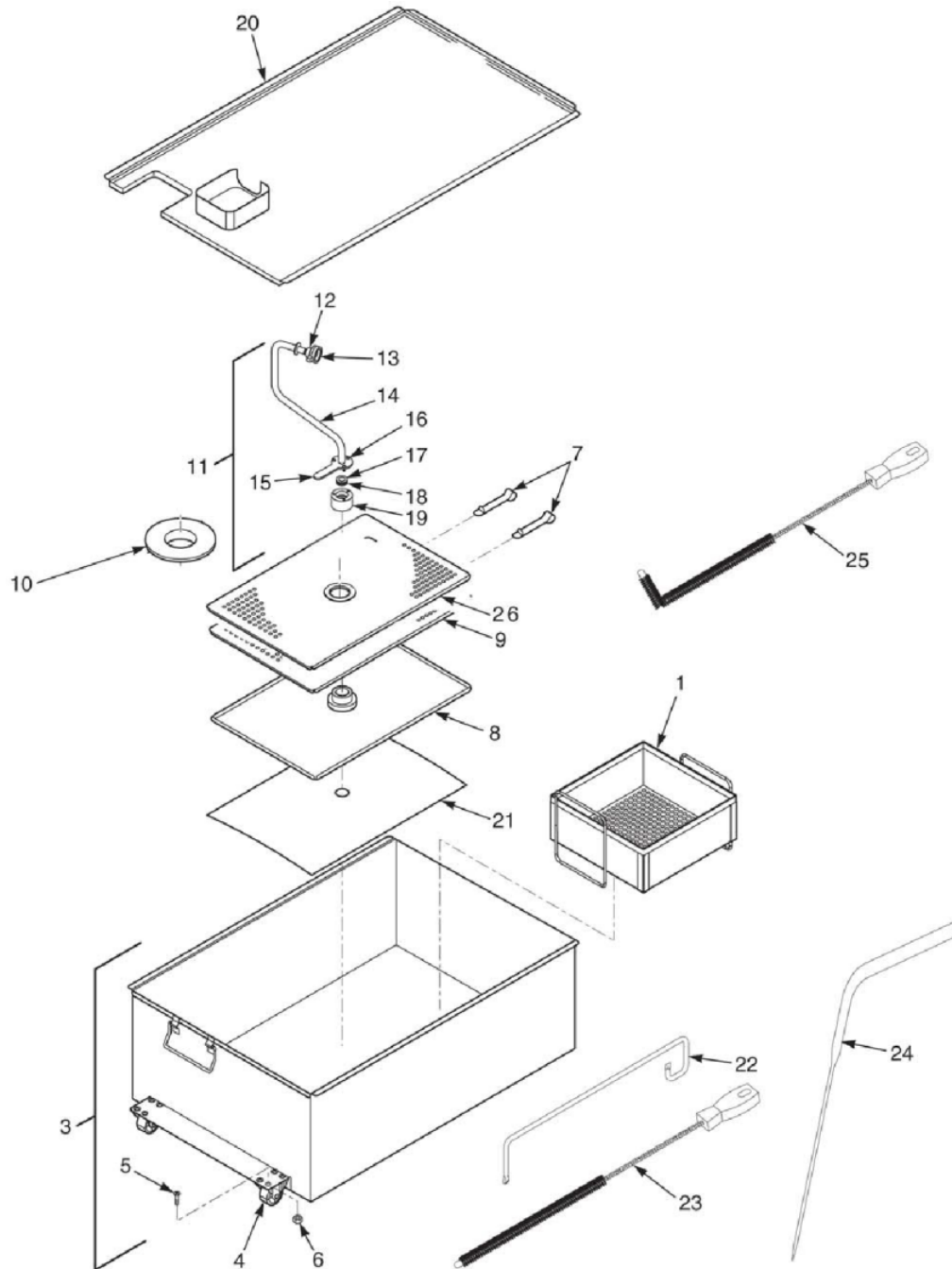
For the most up-to-date parts information, visit
<https://parts.hennypennyhelp.com>.

Item No.	Part No.	Description	Qty.	Stocking Level
9	51894	Top front panel insulation	1	
10	62060	High limit shield	1	
11	SC03-005	Screw, SD, #8 X 1/2, CT	2	
12	51753	Right transformer tube insulation cover	1	
13	53661	Tube/chamber side insulation	4	
14	53662	Tube/chamber bottom insulation	2	
15	53660	Tube/chamber back insulation	2	
16	51755	Transformer tube insulation cover	1	
17	51821	Left control insulation cover	1	
18	53659	Vat front foil insulation	1	
19	51806	Vat front insulation cover	1	
20	53658	Vat front insulation	1	
Recommended Parts: A = Truck Stock; B = Dist. Stock * = Not Shown				



For the most up-to-date parts information, visit
<https://parts.hennypennyhelp.com>.

Filter Pan and Filter Assembly





For the most up-to-date parts information, visit
<https://parts.hennypennyhelp.com>.

Item No.	Part No.	Description	Qty.	Stocking Level
1	52194	Crumb catcher, optional	1	
2	24429	Crumb basket handle	1	
3	52496	Filter pan assembly	1	
4	-52487	-Caster	2	
5	-SC01-009	-Screw, 1/4-20 X 1/2	8	
6	-NS02-002	-Nut, 1/4-20	8	
7	17505	Filter clips	2	
8	17503 (use 14671)	Bottom filter screen (SN: KH031Jj and below)	1	
8	17503 (use 14674)	Bottom filter screen (SN: KH032Jj to BT0504001)	1	
8	65447	Bottom filter screen (SN: BT0504001 and above)	1	
9	17502 (use 14671)	Top filter screen (SN: KH031Jj and below)		
9	17502 (use 14674)	Top filter screen (SN: KH032Jj and above)	1	
10	36305	Washer and standpipe	1	
11	55876	Stand pipe assembly (S/N KH031Jj and below)	1	



For the most up-to-date parts information, visit
<https://parts.hennypennyhelp.com>.

Item No.	Part No.	Description	Qty.	Stocking Level
11	62081	Stand pipe assembly (S/N KH032JJ to AH085JB)	1	
11	24212	Standpipe assembly (S/N AH086JB to BT0504001)	1	
11	14658	Pick-up tube kit (S/N BT0504001 and above)	1	
12	69289	Fitting union, male	1	A
13	-69289	-Fitting union, handle	1	A
14	-24211	-Filter tube and washer weldment	1	
15	-23740	-Standpipe handle	1	
16	-SC01-245	-Screw, 10-32 X 1/2	3	
17	-23804	-Filter nut insert	1	
18	-OR01-007	-Filter nut insert o-ring	1	
19	-23803	-Filter nut (S/N AH086JB to BT0504001)	1	
19	-66535	-Filter nut, SS(S/N BT0504001 and above)	1	
19	-65208	-Filter nut (S/N KH032JJ to AH085JB)	1	
19	-55877	-Filter nut (S/N KH031JJ and below)	1	
20	62082	Filter pan cover assembly	1	
21	12102	Filter envelope paper (100 per carton)	1	B



For the most up-to-date parts information, visit
<https://parts.hennypennyhelp.com>.

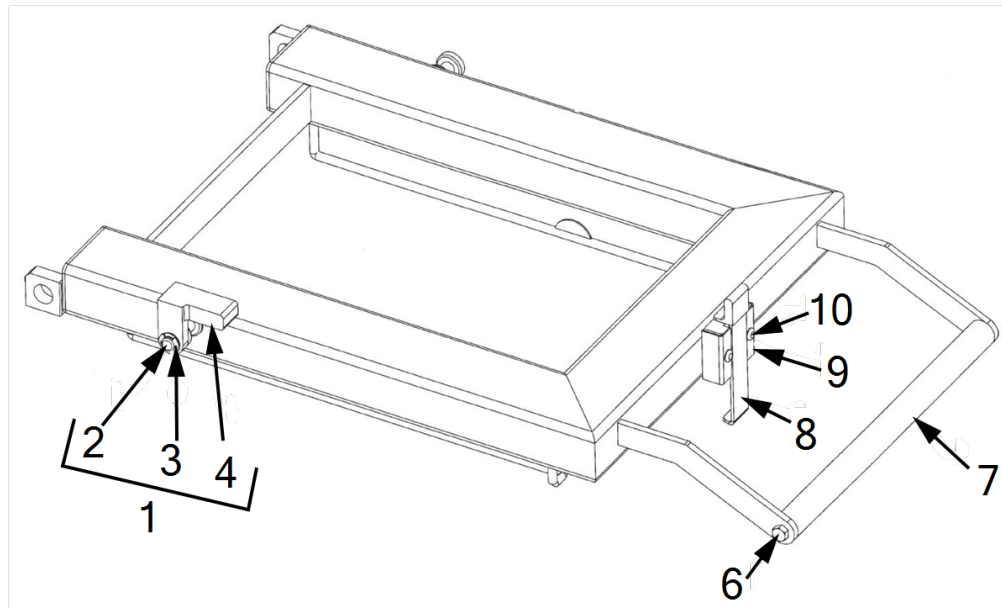
Item No.	Part No.	Description	Qty.	Stocking Level
21	12087	Filter envelope paper, 13.75 X 19.75 inch (60 per carton)	1	
22	65776	Long clean out rod	1	B
23	52208	Brush	1	B
24	35310	Stirrer	1	
25	12126	Black L-brush	1	B
26	65211	Crumb catcher, SS	1	
27*	35771	Clean out brush, 35 inch (89 cm)	1	
28*	14259	Filter rinse hose kit (before LH029JC)	1	
28*	14996	Filter rinse hose kit (11/208 and above)	1	

Recommended Parts: A = Truck Stock; B = Dist. Stock
*** = Not Shown**



For the most up-to-date parts information, visit
<https://parts.hennypennyhelp.com>.

Lid Assembly



Item No.	Part No.	Description	Qty.	Stocking Level
1	183138	Service kit, lid stop	1	
2	-RR01-004	Retaining ring, 1/2 inch	1	
3	-WA01-020	Washer, ID 0.513, OD 0.750, thick 0.05	1	
4	-51531	Cast lid stop	1	
5*	-96405	Hex screw, 1/4 x 0.656 SHLDR	1	
6	SC01-041	Hex screw, 5/16 inch, 18 x 1 HD C	2	
7	55754	Handle weld assembly	1	
8	55756	Sleeve latch assembly, coated	1	



For the most up-to-date parts information, visit
<https://parts.hennypennyhelp.com>.

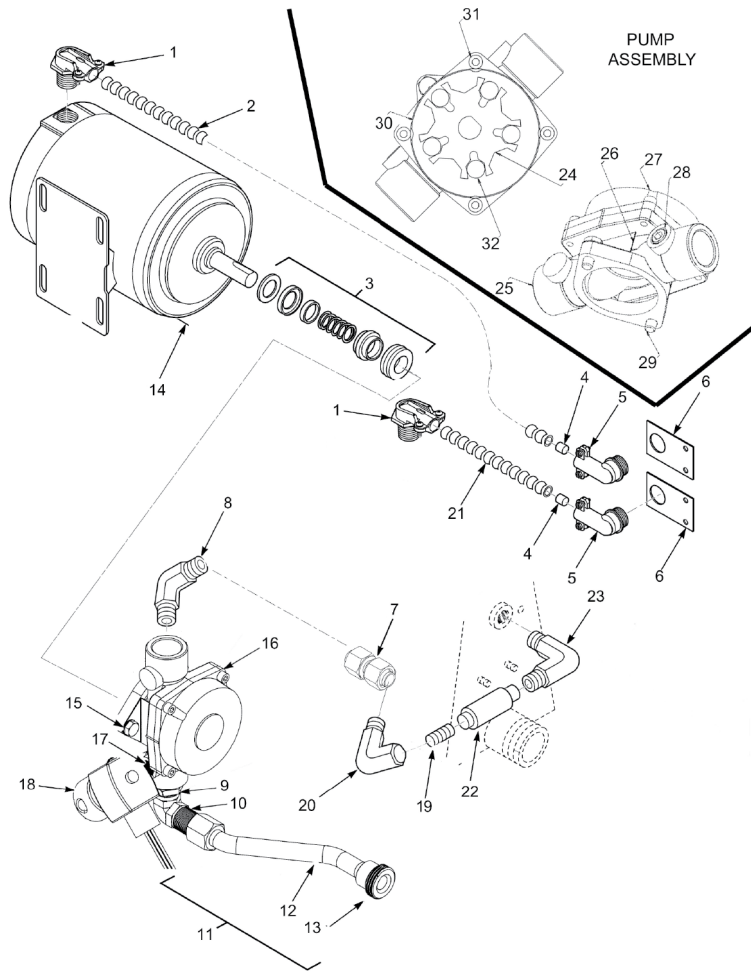
Item No.	Part No.	Description	Qty.	Stocking Level
9	59169	Lid latch bracket	1	
9*	-52498	-Lid latch spring	1	
9*	-51707	-Lid latch bracket	1	
10	SC01-248	Screw, 10-32 x 1.25, CT, THD, SS	2	
11*	79223	Vat cover	1	
Recommended Parts: A = Truck Stock; B = Dist. Stock * = Not Shown				



For the most up-to-date parts information, visit
<https://parts.hennypennyhelp.com>.

Filter Pump Assembly

SN LH015JC and below



Item No.	Part No.	Description	Qty.	
1	18107	Conduit connector 3/8 X 90	2	
2	54484	Blower/pump flexible conduit	1	
3	17476	Pump seal kit	1	A



For the most up-to-date parts information, visit
<https://parts.hennypennyhelp.com>.

Item No.	Part No.	Description	Qty.	
4	18105	Anti short 3/8 inch	2	
5	18644	Conduit connector 3/8 X 90	2	
6	51831	Pump conduit bracket	2	
7	55757	Oil return line assembly	1	
8	16808	Fitting sleeve	2	
9	16809	Fitting nut	2	
10	17407	Elbow connector, 1/2 inch male	2	
11	62009	Disconnect to pump tube assembly (S/N KH032JJ to AH086JB)	1	
11	55435	Disconnect to pump tube assembly (S/N KH031JJ & lower)	1	
11	24225	Disconnect to pump tube assembly (S/N AH086JB & HIGHER)	1	
12	16808	Fitting sleeve	3	
13	16809	Fitting nut	3	
14	67583	Filter pump motor	1	A
15	69289	Fitting union, male	1	A
16	171168	5 GPM Pump subassembly	1	B
17	62050	Nipple, 1/4 NPT X 2.0	1	
18	52125	Air solenoid valve, 120VAC	1	A
18	54908	Air solenoid valve, 240VAC	1	A



For the most up-to-date parts information, visit
<https://parts.hennypennyhelp.com>.

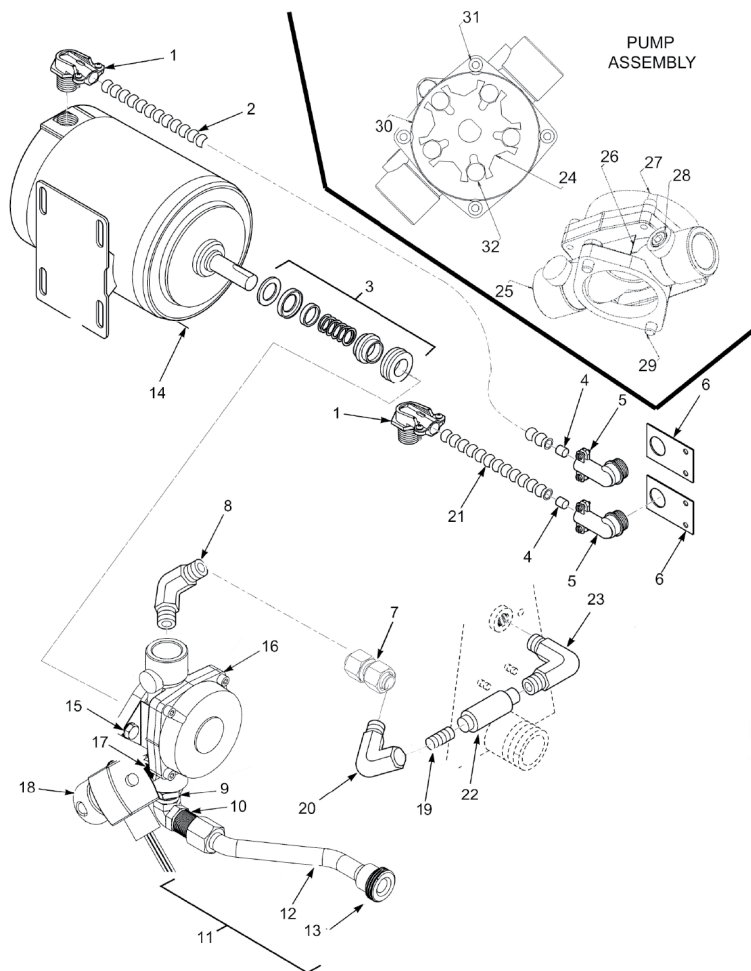
Item No.	Part No.	Description	Qty.	
19	FP02-024	Close nipple, 3/8	1	
20	16807	Connector fitting, male	1	
21	54486	Air valve flexible conduit	1	
22	FP01-122	Reducer, 3/8 TO 1/2	1	
23	35472	Pressure check valve	1	
24	FP02-007	Nipple, 3/8 X 1-1/2	1	
25	171168	5 GPM Pump subassembly	1	
26	171170	Pump rotor	1	A
27	171169	Teflon rollers, set of 5	1	A
28	162498	Pump o-ring gasket	1	A
29	SC01-132	Cap screw, 1/4-20 X 5/8 SOC HD	4	A
30	171168	Pump body	1	B
31		Pump shield and screw not available on Haight pumps		
32	171171	Pump cover	1	A
33	SC01-020	Countersunk hex plug, 1/4	1	A
34		Pump shield and screw not available on Haight pumps		
35*	N/A	1/2 Pump and motor		
36*	140049	Air valve repositioning kit, 120 VAC	1	



For the most up-to-date parts information, visit
<https://parts.hennypennyhelp.com>.

Item No.	Part No.	Description	Qty.	
36*	140050	Air valve repositioning kit, 240 VAC	1	
Recommended Parts: A = Truck Stock; B = Dist. Stock * = Not Shown				

SN LH016JC and above



Item No.	Part No.	Description	Qty.	Stocking Level
1	18107	Conduit connector, 3/8 X 90	2	



For the most up-to-date parts information, visit
<https://parts.hennypennyhelp.com>.

Item No.	Part No.	Description	Qty.	Stocking Level
2	54484	Blower/pump flexible conduit	1	
3	17476	Pump seal kit	2	A
4	18105	Anti short 3/8 inch	2	
5	18644	Conduit connector, 3/8 X 90	2	
6	51831	Pump conduit bracket	1	
7	65080	Pump to check valve tube assembly, 390/690	1	
8	FP01-169	Connector tube, 90 male, 3/4 NPT	1	
9	FP01-089	Reducing bushing, 3/4 male to 1/2	1	
10	17407	Connector, 1/2 male elbow	1	
11	14668	Filter pump return line kit	1	
12	-	Included in filter pump return line kit	1	
13	69289	Fitting union, male	1	A
14	67583	Filter pump motor	1	
15	LW02-014	Star lockwasher, 5/16 INT	1	
16	162497	8 GPM filter pump assembly	1	B
17	62050	Nipple 1/4 NPT X 2.0	1	
18	52125	Air solenoid valve, 120V	1	A
18	54908	Air solenoid valve, 240V	1	A
19	FP02-037	Large nipple 3/4 X 2.5, BI	1	



For the most up-to-date parts information, visit
<https://parts.hennypennyhelp.com>.

Item No.	Part No.	Description	Qty.	Stocking Level
20	FP01-168	Connector tube, 90 female, 3/4 NF	1	
21	54486	Air valve flexible conduit	1	
22	21800	Check valve, 3/4	1	A
23	FP01-173	Elbow, 3/4 NPT X 90 male, nickel	1	
24*	140049	Air valve repositioning kit, 120 VAC (SN: BT0903002 & Below)	1	
24*	140050	Air valve repositioning kit, 240 VAC (SN: BT0903002 & Below)	1	
Recommended Parts: A = Truck Stock; B = Dist. Stock				

Pump Subassembly

Item No.	Part No.	Description	Qty.	Stocking Level
	162497	8 GPM pump	1	B
1	-162500	Pump rotor, Haight pump only	1	A
2	-23647	-8 GPM pump body	1	A
3		Pump shield and screw not available on Haight pumps		
4		Pump cap not sold separately, order 162497		B
5	FP01-020	Hex plug, level seal, 1/4-18	1	A
6		Pump shield and screw not available on Haight pumps		
7	162498	Pump o-ring gasket	1	A



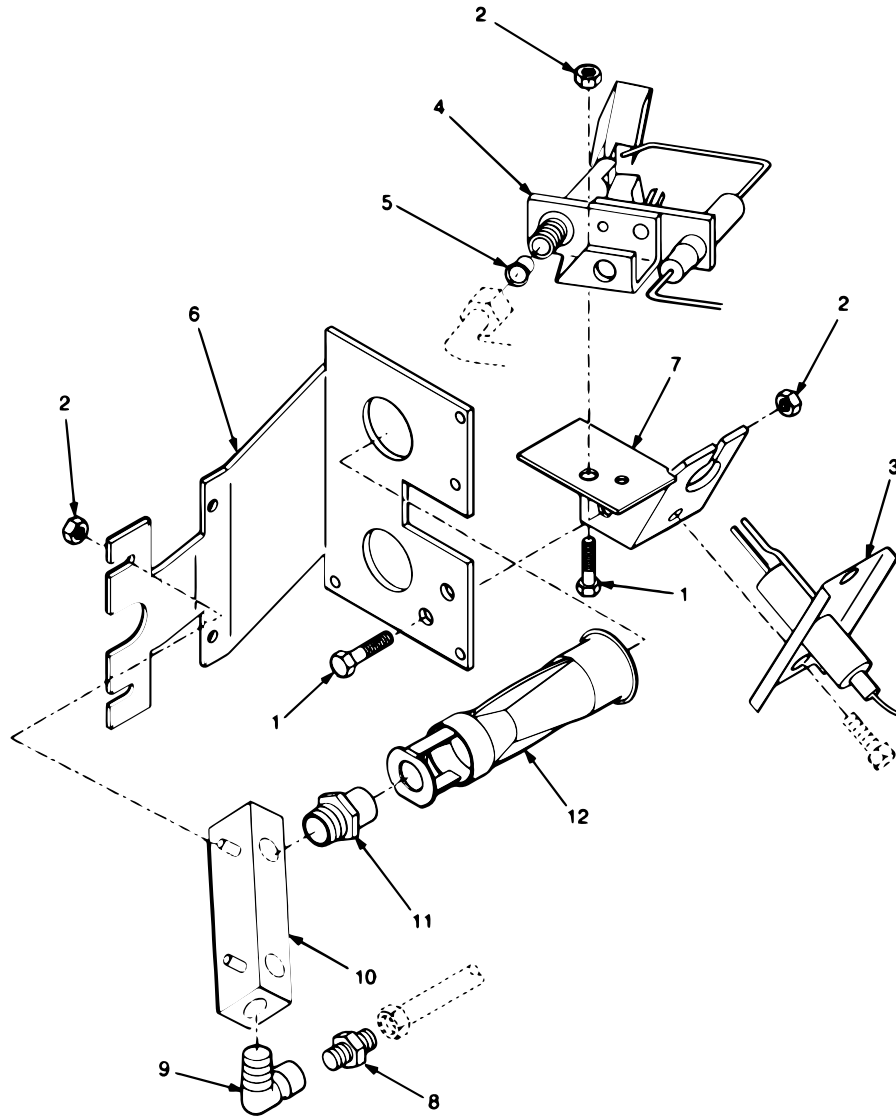
For the most up-to-date parts information, visit
<https://parts.hennypennyhelp.com>.

Item No.	Part No.	Description	Qty.	Stocking Level
8	SC01-132	Cap screw, 1/4-20 X 5/8 SOC HD	4	A
9	162501	Pump roller set, 8 GPM, Haight pump only, set of 5	1	A
Recommended Parts: A = Truck Stock; B = Dist. Stock				



For the most up-to-date parts information, visit
<https://parts.hennypennyhelp.com>.

Gas Burner Assembly





For the most up-to-date parts information, visit
<https://parts.hennypennyhelp.com>.

Item No.	Part No.	Description	Qty.	Stocking Level
1	SC01-084	- Hex screw, #10-32 X 3/8, S	8	
2	NS02-001	- Hex keps nut, #10-32, coated	8	
3	88254	- Flame sensor (BT1101001 and after)	2	A
4	N/A	-Pilot assembly (before BT1101001, see Kit chart below)		
4	86940-001	- Pilot assembly, left, natural (BT1101001 and after)	1	A
4	86940-002	- Pilot assembly, right, natural (BT1101001 and after)	1	A
4	86940-003	-Pilot assembly, left, LP (BT1101001 and after)	1	A
4	86940-004	-Pilot assembly, right, LP (BT1101001 and after)	1	A
5	54877	- Pilot orifice, natural, CE	2	
5	60614	- Pilot orifice, LP, CE, propane/butane mix	2	
6	51735	- Burner mounting bracket	1	
7	N/A	- Pilot/flame sensor bracket (Obsolete - see Kit chart below)		
8	FP05-010	- Connector tube, 3/8 to 1/4 NPT	2	
9	FP01-117	- Street elbow, 1/4 NPT B.I.	2	
10	14852	- Gas manifold kit, 390/690	2	
11	51725	- Burner orifice, natural	2	



For the most up-to-date parts information, visit
<https://parts.hennypennyhelp.com>.

Item No.	Part No.	Description	Qty.	Stocking Level
11	51730	- Burner orifice, LP	2	
11	55452	- Burner orifice, natural, CE	2	
11	55453	- Burner orifice, LP, CE	2	
11	56219	- Burner orifice, propane/butane mix	2	
11	40905	- Burner orifice, LP/butane mix 70% propane 30% butane	2	
11	56637	- Burner orifice, natural, Japan	2	
12	52066	- Burner inshot	4	
13*	14221	- LP to natural conversion kit	1	
13*	14222	- Natural to LP conversion kit	1	
13*	14269	- LP to natural conversion kit, Japan	1	
13*	14321	- LP to natural conversion kit, CE	1	
13*	14322	- Natural to LP conversion kit, CE	1	
14*	54902	Burner wire guard (Below S/N HH001JJ)	2	

Recommended Parts: A = Truck Stock; B = Dist. Stock
 * = Not Shown

Pilot Retrofit Kits

Kit Number	Description	Qty.
140131	KIT- RETROFIT PILOT, NAT W/ TUBES (before BT0506015)	1



For the most up-to-date parts information, visit
<https://parts.hennypennyhelp.com>.

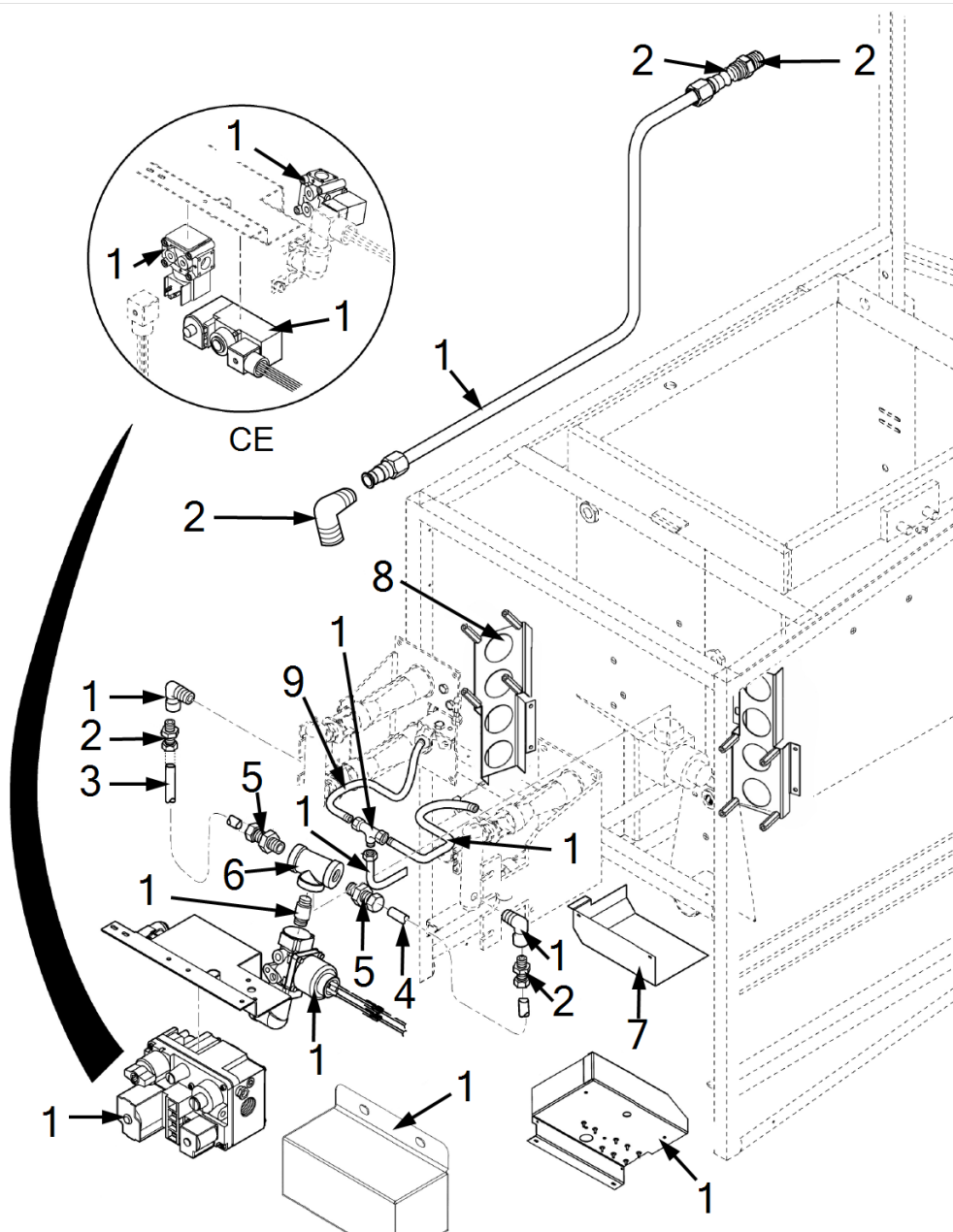
Kit Number	Description	Qty.
140095	KIT- RETROFIT- PILOT, NAT (BT0506016 - BT1101001)	1
140132	KIT- RETROFIT- PILOT, LP W/ TUBES (before BT0506015)	1
140123	KIT- RETROFIT- PILOT, LP (BT0506016 - BT1101001)	1

All Retrofit kits include both right and left hand pilot assemblies and flame sensor.



For the most up-to-date parts information, visit
<https://parts.hennypennyhelp.com>.

Gas Piping and Controls



Item No.	Part No.	Description	Qty.	Stocking Level
1	FP01-117	Elbow	2	



For the most up-to-date parts information, visit
<https://parts.hennypennyhelp.com>.

Item No.	Part No.	Description	Qty.	Stocking Level
2	FP05-010	Fitting tube, 3/8 to 1/4 NP	2	
3	65173	Manifold tube, left	1	
4	65173	Manifold tube, right	1	
5	FP01-115	Nipple, 3/8 to 1/2 NP	2	
6	FP01-112	Pipe tee, female, 1/2 NPT, B.I.	1	
7	54875	Module cover	1	
8	52785	Burner shield assembly	2	
8	68536	Burner shield stud assembly	2	
8	51731	Burner standoff	8	
9	69441	Left burner pilot tube	1	
10	82491	Right burner pilot tube	1	
11	FP05-011	Compr tee, 1/4 X 1/4 X 1/4 BR	1	
12	69442	Valve to tee pilot tube	1	
12	88228	Pilot tube service pack, right	1	
13*	21452	Gas valve assembly, 24 VAC, natural, CE	1	B
13*	21453	Gas valve assembly, 24 VAC, LP, CE	1	B
14	38468-001	- Solenoid gas valve, 24 VAC, 60 HZ, non-CE (S/N IH024JJ & above)	1	A
14	176164	- Solenoid gas valve service pack, 24VAC, 50 HZ, CE (S/N IH024JJ & above)	2	A
15	FP01-028	- Close nipple 1/2 NPT, SS 1L	1	



For the most up-to-date parts information, visit
<https://parts.hennypennyhelp.com>.

Item No.	Part No.	Description	Qty.	Stocking Level
16	80761	Gas valve, Natural, non-CE (S/N BT0907001 & above)	1	B
16	80858	Gas valve, LP, non-CE (S/N BT0907001 & above)	1	B
16	140056	Gas valve kit without safety valve, Natural/LP, non-CE (S/N below BT0907001)	1	B
16	140042	Gas valve kit with safety valve, Natural/LP, non-CE (S/N below BT0907001)	1	B
16	140767	Gas valve kit, Natural, CE (S/N AP2202101 & below)	1	B
16	184342-001	Gas valve, Natural, CE (S/N AP2202102 & above)	1	B
16	140768	Gas valve kit, LP, CE (S/N AP2202101 & below)	1	B
16	184342-002	Gas valve, LP, CE (S/N AP2202102 & above)	1	B
17	52122	Main gas supply line assembly	1	
17	55433	Main gas supply line assembly, CE (before 6-14-07)	1	
17	76333	Main gas supply line assembly, CE (6-14-07 & after)	1	
17*	03747	Gas flex line with installation kit, 2 swivel, 48 in. Length, 3/4 in. Diameter.	1	



For the most up-to-date parts information, visit
<https://parts.hennypennyhelp.com>.

Item No.	Part No.	Description	Qty.	Stocking Level
17*	03752	Gas flex line with installation kit, 2 swivel, 36 in. Length, 3/4 in. Diameter.	1	
18	59189	Module enclosure study assembly	1	
19	51741	Gas valve wire cover	1	
19	82232	Front gas valve cover (SN: AP0907005 & after)	1	
20	16335	Male connector, 5/8 in tube 37° flare, 1/2 NPT	1	
20	FP01-200	Male connector, 5/8 in tube 37° flare, 1/2 BSPT	1	
21	FP01-078	Reducer, 3/4 NPT male, 1/2 NPT female	1	
22	16336	Male elbow, 5/8 in tube 37° flare, 1/2 NPT	1	
23*	161559	Quick disconnect valve, 3/4 NPT	A/R	
24*	FP02-052	1/2 X 4 long, black iron, pipe nipple - gas valve nipple	1	
25*	FP01-127	1/2 X 1/2 X 90° street elbow - gas valve elbow, attaches to FP02-052	1	

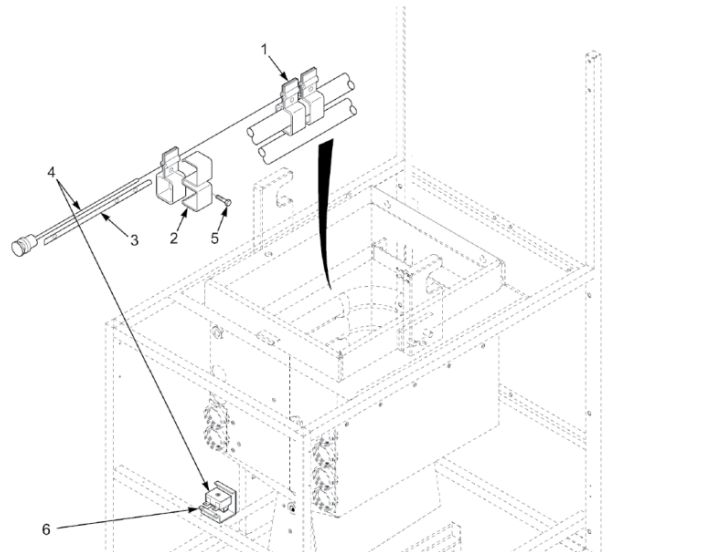
Recommended Parts: A = Truck Stock; B = Dist. Stock
*** = Not Shown**



For the most up-to-date parts information, visit
<https://parts.hennypennyhelp.com>.

High Limit Assembly

Bulb and Cap High Limit Assembly - BT2406031 and Before



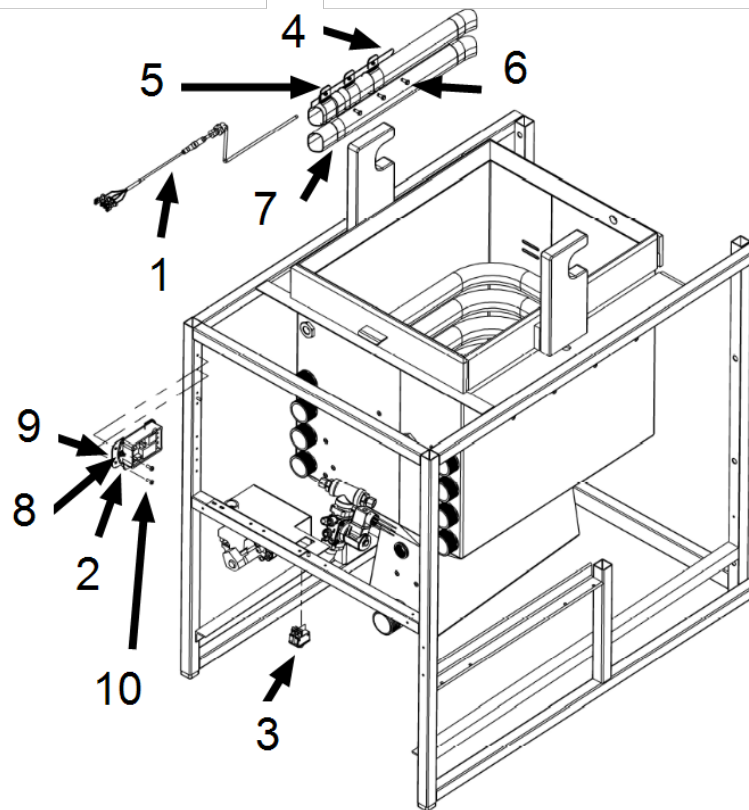
Item No.	Part No.	Description	Qty.	Stocking Level
1	54480	High limit sensing bulb bracket assembly	3	
2	62051	Heat tube spreader clip	6	
3	53670	High limit spacer	1	
4	16738	High limit, 450°F, electric, non-CE	1	A
4	60241	High limit, 425°F, electric, CE	1	A
5	SC01-211	Hex screw, #10-32 X 1/2, IND, SS	3	
6	17216	High limit bracket assembly	1	
7*	16268	Vat high limit thermocouple fitting	1	

Recommended Parts: A = Truck Stock; B = Dist. Stock
*** = Not Shown**



For the most up-to-date parts information, visit
<https://parts.hennypennyhelp.com>.

Electric Dual High Limit Assembly - BT2406032 and After



Item No.	Part No.	Description	Qty.	Stocking Level
1	179286	Dual Hi-Limit Thermocouple probe	1	A
2	175915-009	Kit-dual Hi-Limit Thermocouple module	1	A
3	157360	High limit reset switch, NC	1	A
4	53670	High limit spacer	1	
5	54480	High limit probe bracket	3	
6	SC01-211	Hex screw, #10-32 X 1/2 IND, SS	3	
7	62051	Heat tube spreader clip	6	



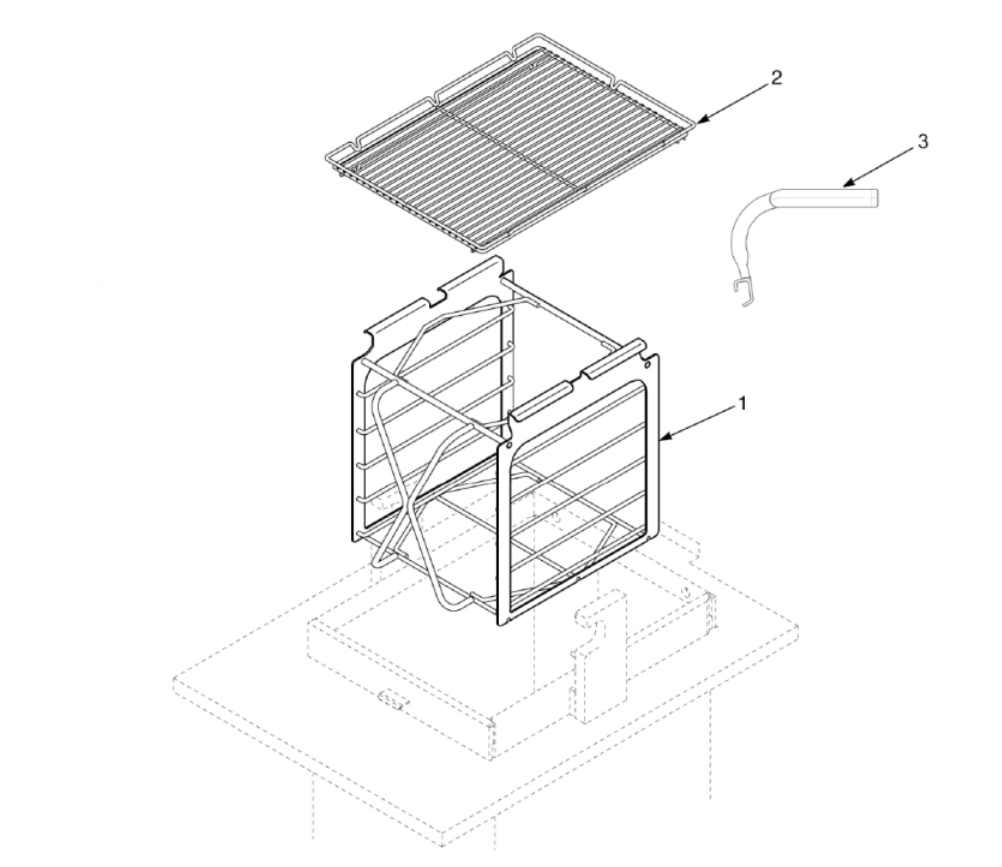
For the most up-to-date parts information, visit
<https://parts.hennypennyhelp.com>.

Item No.	Part No.	Description	Qty.	Stocking Level
8	NS02-005	Hex keps nuts, 6-32	A/R	
9	186049	Hi-Limit module bracket	1	
10	SC03-005	Screw, #8 X 1/2, Philips	A/R	
11*	140849	Kit-39X electric high limit upgrade		
Recommended Parts: A = Truck Stock; B = Dist. Stock * = Not Shown				



For the most up-to-date parts information, visit <https://parts.hennypennyhelp.com>.

Carrier and Racks Assembly



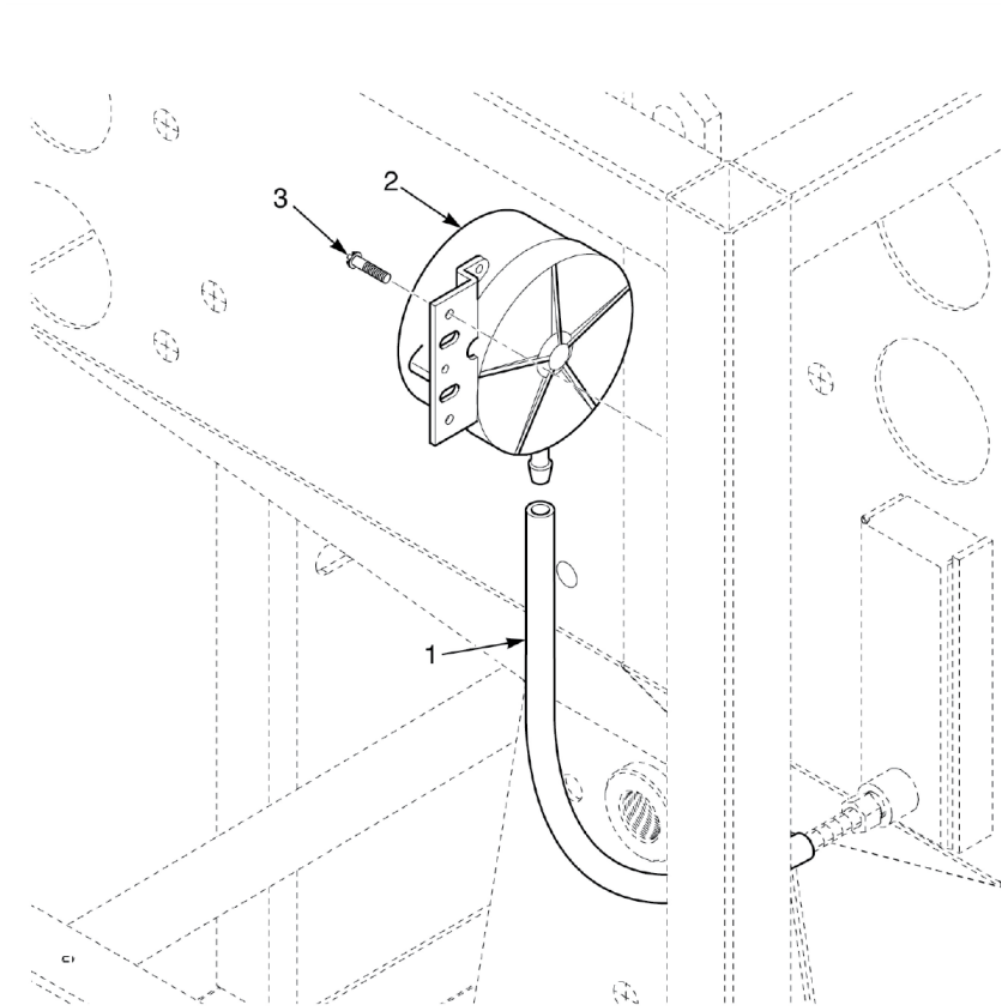
Item No.	Part No.	Description	Qty.	Stocking Level
1	62183	Carrier assembly	1	
2	44782	1/2 size rack	5	
2	62181 *	Basket, 390, optional	4	
3	35308	1/2 size rack handle	1	
6	21519	Wire rack cover, optional	1	

Recommended Parts: A = Truck Stock; B = Dist. Stock
* = Not Shown



For the most up-to-date parts information, visit
<https://parts.hennypennyhelp.com>.

Vaccum Switch



Item No.	Part No.	Description	Qty.	Stocking Level
1	60202	Vacuum switch tube	1	
2	14240	Vertical vacuum switch kit	1	A
2	72514	Vertical vacuum switch	1	A



For the most up-to-date parts information, visit
<https://parts.hennypennyhelp.com>.

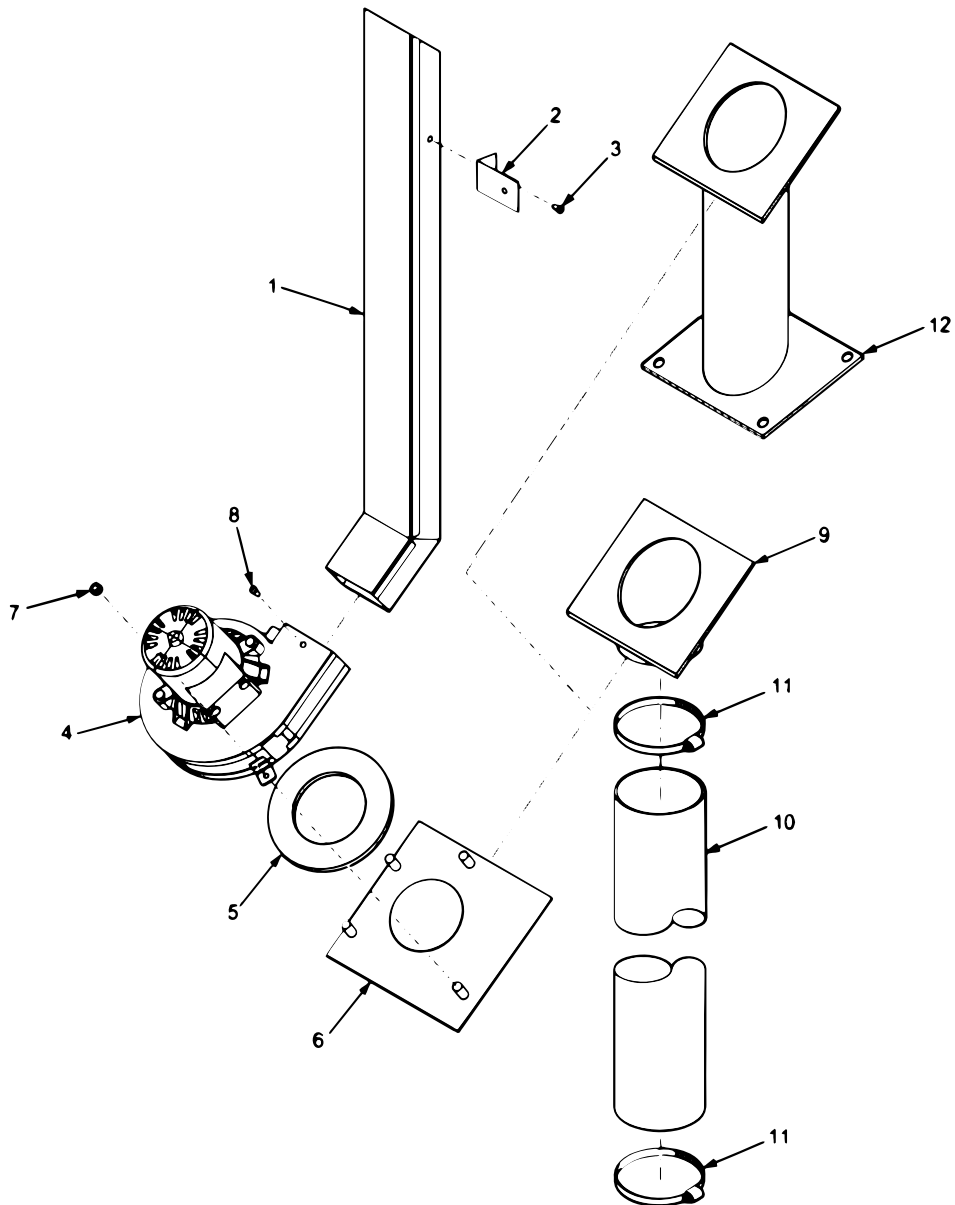
Item No.	Part No.	Description	Qty.	Stocking Level
3	SC03-005	Screw, SD, #8 X 1/2, CT	3	
Recommended Parts: A = Truck Stock; B = Dist. Stock * = Not Shown				



For the most up-to-date parts information, visit
<https://parts.hennypennyhelp.com>.

Flue and Blower Assembly

SN: BT0802002 and Below





For the most up-to-date parts information, visit
<https://parts.hennypennyhelp.com>.

Item No.	Part No.	Description	Qty.	Stocking Level
1	55681	Flue assembly weldment	1	
2	55783	Flue retaining bracket	1	
3	SC03-005	Screw, SD, #8 X 1/2, CT	2	
4	14420	Flue exhaust blower with insulation, 120VAC	1	B
4	N/A	Flue exhaust blower with insulation, 100VAC	1	B
4	140759	Flue exhaust blower with insulation, 240VAC	1	B
5	21329	- Blower insulation	1	
6	55673	Blower mounting plate stud assembly	1	
7	NS02-002	Keps nut, 1/4-20, coated	4	
8	SC02-041	External trx, #8-32 X 7/16, CT, IND	2	
9	55675	Insulation/blower inlet assembly, natural only	1	
10	52103	Dilution hose/blower, national only	1	
11	MS01-429	Hose clamp, 3 9/16-4 1/2 PL, natural only	2	
12	32743	Dilution hose assembly, LP only	1	
13*	14384	Flue ducts kit, butane	1	



For the most up-to-date parts information, visit
<https://parts.hennypennyhelp.com>.

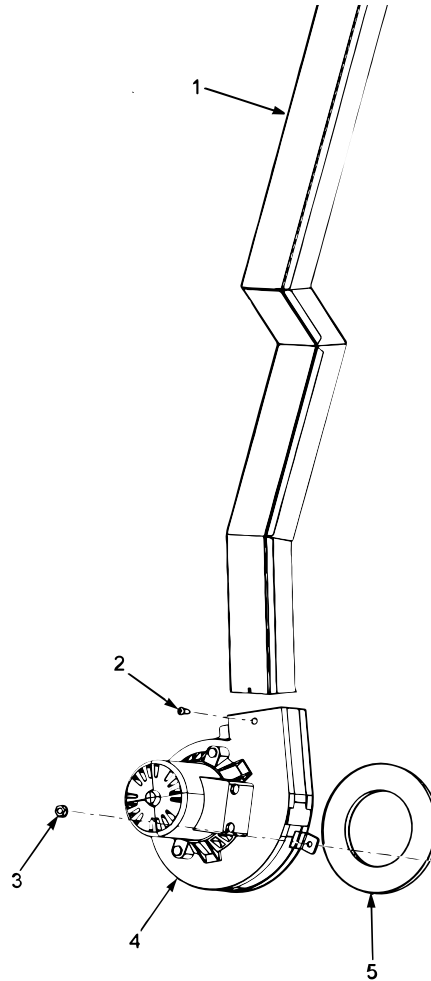
Item No.	Part No.	Description	Qty.	Stocking Level
14*	21980-01	Dilution box assembly, natural and LP, LP Mexico, 0-3,999 feet	1	
14*	21980-02	Dilution box assembly, LP, CE, 0-3,999 feet	1	
14*	21980-03	Dilution box assembly, natural, CE, 0-3,999 feet	1	
14*	21980-04	Dilution box assembly, LP, CE, above 3,999 feet	1	
14*	21980-05	Dilution box assembly, natural, CE, above 3,999 feet	1	
15*	79392-01	Combustion box plate, natural, 0-69 LP, 120v, 220-240v, Mauritius Island, 0-4999 feet (BT0802003 and above)	1	
15*	79392-02	Combustion box plate, 70-100 LP, Japan, Mexico, 120v, 0-4999 feet (BT0802003 and above)	1	
15*	79392-03	Combustion box plate, 220v-240v, CE, above 4999 feet (BT0802003 and above)	1	

Recommended Parts: A = Truck Stock; B = Dist. Stock
*** = Not Shown**



For the most up-to-date parts information, visit
<https://parts.hennypennyhelp.com>.

SN: BT0802003 and Above



Item No.	Part No.	Description	Qty.	Stocking Level
1	70582	Flue assembly weldment	1	
2	SC02-041	External trx, #8-32 X 7/16, CT, IND	1	
3	NS02-002	Keps nut, 1/4-20, coated	5	
4	14986	Flue exhaust blower with insulation,120VAC	1	B



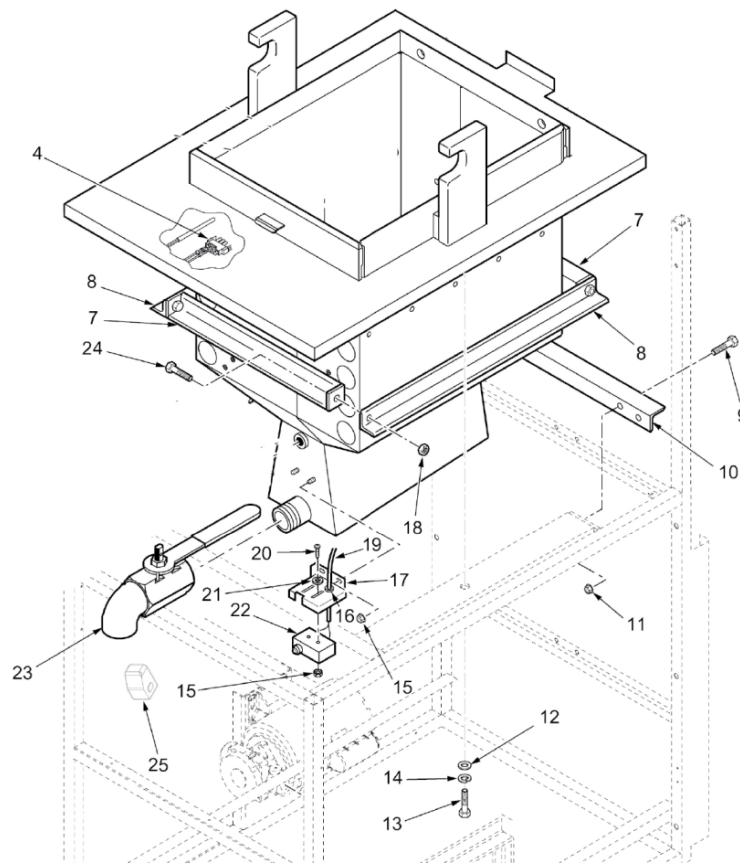
For the most up-to-date parts information, visit
<https://parts.hennypennyhelp.com>.

Item No.	Part No.	Description	Qty.	Stocking Level
4	14988	Flue exhaust blower with insulation,100VAC	1	B
4	140759	Flue exhaust blower with insulation, 240VAC	1	B
5	21329	- Blower insulation	1	
6*	79392-01	Combustion box plate, natural, 0-69 LP, 120v, 220-240v, Mauritius Island, 0-4999 feet	1	
6*	79392-02	Combustion box plate, 70-100 LP, Japan, Mexico, 120v, 0-4999 feet	1	
6*	79392-03	Combustion box plate, 220v-240v, CE, above 4999 feet	1	
Recommended Parts: A = Truck Stock; B = Dist. Stock * = Not Shown				



For the most up-to-date parts information, visit
<https://parts.hennypennyhelp.com>.

Vat and Drain Piping



Item No.	Part No.	Description	Qty.	Stocking Level
4	14330	Temperature probe kit	1	A
4	14266	Probe connector retrofit kit, CE (probe not included) (built prior to Nov. 1, 1999)	1	A
5	16226	Nipple, 1/2 X 3-1/2	2	
6	16239	Elbow	1	
7	51792	Front and rear vat brace	2	



For the most up-to-date parts information, visit
<https://parts.hennypennyhelp.com>.

Item No.	Part No.	Description	Qty.	Stocking Level
8	51790	Side vat brace	2	
9	SC01-022	Hex screw, 1/4-20 X 3/4	4	
10	51874	Rear support	1	
11	NS02-002	Nut, 1/4-20	4	
12	WA01-018	Flat washer, 3/8	2	
13	SC01-042	Hex screw, 3/8-16 X 1	2	
14	LW01-010	Split ring lockwasher, 3/8	2	
15	NS02-005	Hex nut, #6-32	4	
16	EF02-017	Strain relief	1	
17	51891	Switch bracket (below SN: BT0404001)	1	
17	67618	Switch bracket (SN: BT0404001 & above)	1	
18	NS01-016	Hex nut, 7/16-14	4	
19	52519	Drain interlock cord assembly	1	
20	SC01-058	Pan screw, #6-32 X 1, CT	2	
21	WA01-006	Washer, #6	2	
22	54228	Drain switch with boot	1	A
23	21355	Drain valve with extension (below SN:LH016JC)	1	B
23	66446	Drain valve with extension (SN: LH016JC & above)	1	B
24	SC01-217	Hex screw, 7/16-14 X 1-1/4	4	



For the most up-to-date parts information, visit
<https://parts.hennypennyhelp.com>.

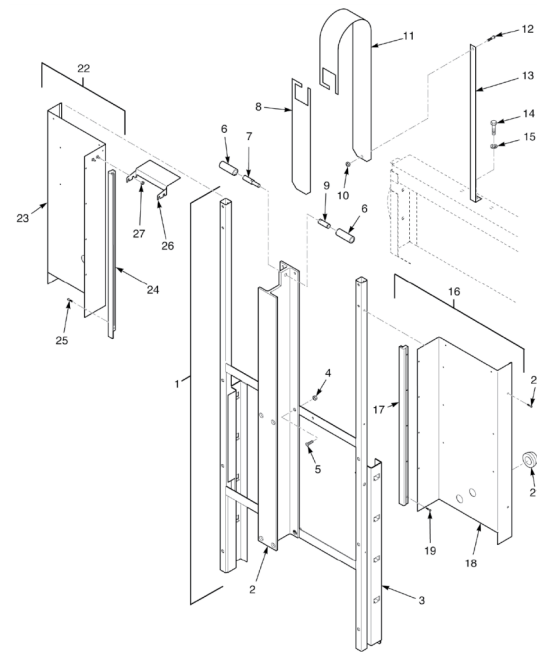
Item No.	Part No.	Description	Qty.	Stocking Level
25	67617	Microswitch triggering bracket (SN: BT0802002 & below)	1	
26*	76683	Switch cover gas plate, D/I	1	
Recommended Parts: A = Truck Stock; B = Dist. Stock * = Not Shown				



For the most up-to-date parts information, visit
<https://parts.hennypennyhelp.com>.

Lift Beam and Shrouds

SN: BT0802002 and before



Item No.	Part No.	Description	Qty.	Stocking Level
1	-	Not available, I-beam/ lift frame assembly	-	
2	-	Not available, I-beam lift	-	
3	-	Not available, Lift frame weldment assembly	-	
4	NS02-008	- Hex keps nut, 5/16-18 UNC (qty. 50)	4	
5	SC01-212	- Flat head cap screw, 5/16-18 UNC (qty. 50)	4	
6	N/A	Lift U-channel stop	1	
7	N/A	Stop pin, male	1	



For the most up-to-date parts information, visit
<https://parts.hennypennyhelp.com>.

Item No.	Part No.	Description	Qty.	Stocking Level
8	56825	Nylatron slide, lower	1	
9	51594	Stop pin, female	1	
10	NS02-007	Hex keps nut, #8-32, coated	1	
11	56824	Nylatron slide, upper	1	
12	SC01-034	Screw, #8-32 X 3/8, CT	1	
13	52177	Lift strap	1	
14	SC01-052	Hex screw, 1/4-20 X 3/8, coated	1	
15	LW01-002	Lockwasher, split ring, 1/4	1	
16	N/A	Front shroud/right assembly	1	
17	21345	- Right slide guide	1	
18	N/A	- Front shroud/right weldment assembly	1	
19	SC01-023	- Screw, #6-32 X 1/4, CT, RHD,, coated	5	
20	SC03-005	Screw, #8 X 1/2, CT	4	
21	16804	Umbrella grommet	3	
22	N/A	Front shroud/left assembly	1	
23	N/A	-Front shroud/left stud assembly	1	
24	21346	- Left slide guide	1	
25	SC01-023	-Screw, #6-32 X 1/4, CT , RHD, coated	5	
26	N/A	Shroud spacer/pullyguard	1	
27	NS02-005	Hex keps nut, #6-32, coated	4	



For the most up-to-date parts information, visit
<https://parts.hennypennyhelp.com>.

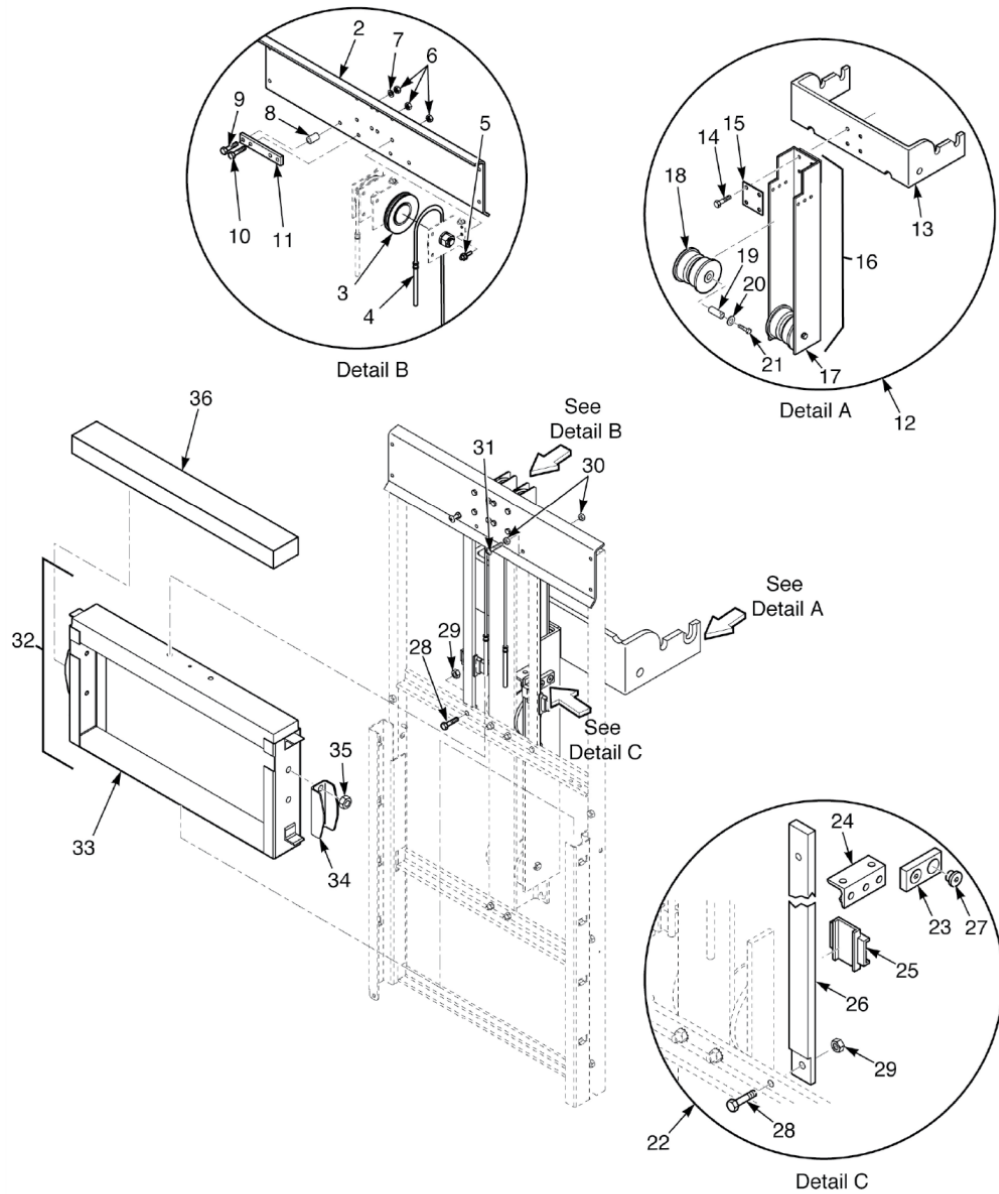
Item No.	Part No.	Description	Qty.	Stocking Level
28*	14218*	Single to double lift strap kit	1	
29*	58261	Back shroud cover panel	1	
30*	66940	Left-side panel cover	1	
31*	66941	Right-side panel cover	1	
Recommended Parts: A = Truck Stock; B = Dist. Stock * = Not Shown				



For the most up-to-date parts information, visit
<https://parts.hennypennyhelp.com>.

Counterweight Pulley System

SN: BT0802002 and Below





For the most up-to-date parts information, visit
<https://parts.hennypennyhelp.com>.

Item No.	Part No.	Description	Qty.	Stocking Level
1	N/A	Pulley assembly	1	
2	N/A	- Pulley plate	1	
3	35962	- Bracket/wheel assembly	2	
4	140225	Cable kit (2 cables)	1	
5	SC01-022	- Hex screw, 1/4-20 X 3/4,coated	8	
6	NS02-002	- Keps nut, 1/4-20, coated	12	
7	WA01-002	Washer	2	
8	N/A	Spacer	2	
9	SC01-104	Hex screw, 1/4-20 X 1 1/2	2	
10	SC01-022	Hex screw, 1/4-20 X 3/4, coated	2	
11	N/A	I-beam pulley brace	1	
12	N/A	Lid arm/U-channel assembly	1	
13	N/A	-Lid lift machined arm	1	
14	N/A	- Screw, 3/8-16 X 1-1/2 FT HH G	4	
15	N/A	- U-channel torque plate	1	
16	N/A	- U-channel lift assembly	1	
17	N/A	-U-channel lift	1	
18	66715	- Truck wheel	4	
19	51593	- U-channel wheel spindle	4	
20	LW01-001	- Split ring lockwasher, 3/8 ID	4	



For the most up-to-date parts information, visit
<https://parts.hennypennyhelp.com>.

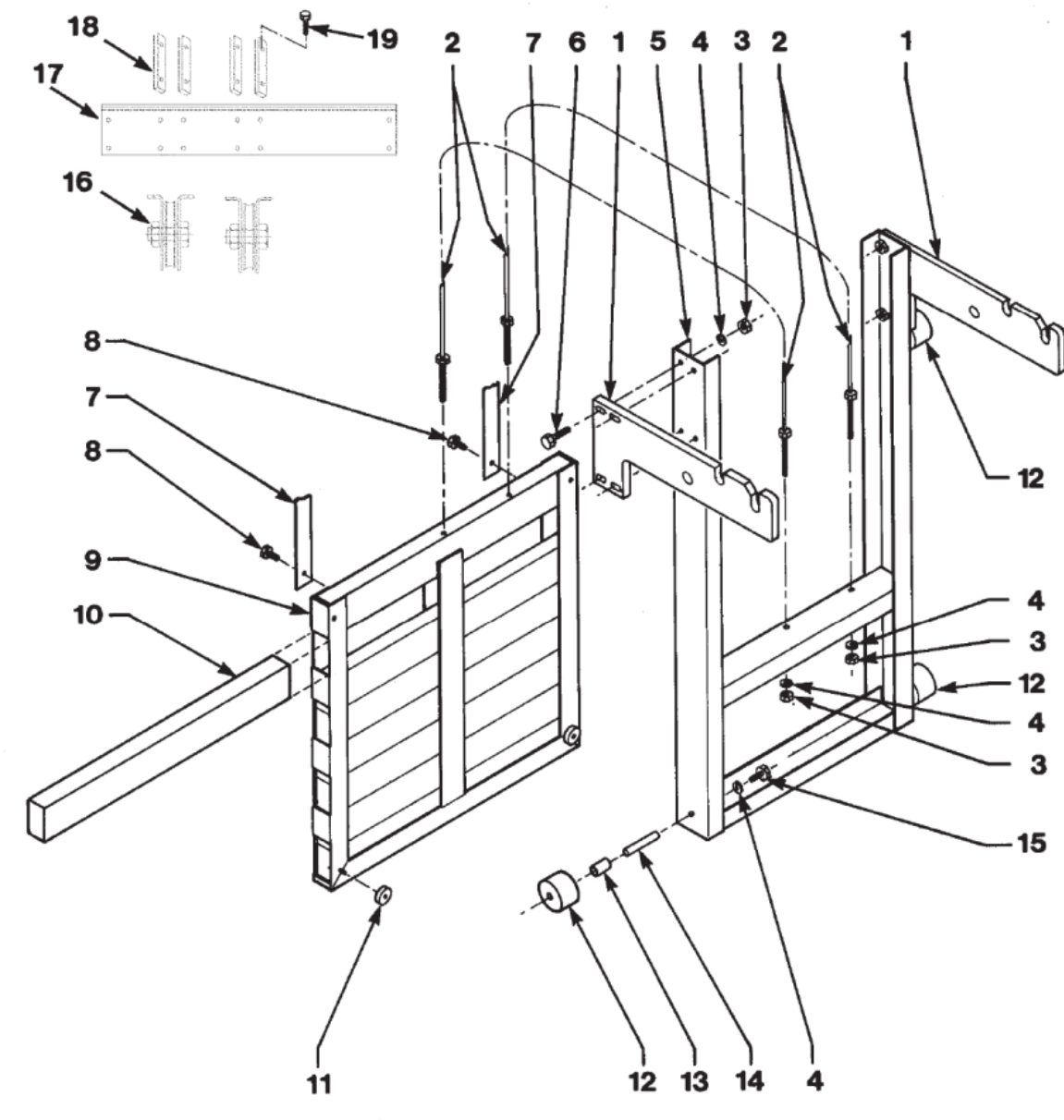
Item No.	Part No.	Description	Qty.	Stocking Level
21	SC01-081	- Hex screw, 3/8-24 X 3/4	4	
22	N/A	Stabilizer component assembly	1	
23	N/A	- Stabilizer support arm	2	
24	N/A	-Cable mounting bracket assembly	2	
25	N/A	- Stabilizer slide	2	
26	N/A	- Stabilizer brace	2	
27	SC01-226	- Cap screw, 5/16-18 X 1-1/4, FHD	6	
28	SC01-146	- Hex screw, 1/4-20 X 3/4, coated	2	
29	NS02-002	- Keps nut, 1/4-20, coated	4	
30	NS01-012	- Hex nut, 1/4-20, coated	2	
31	SC01-232	- Truss, 1/4-20 X 2.00, CT, ZI	2	
32	N/A	Carriage weight assembly	1	
33	N/A	- Weight bracket stud assembly	1	
34	N/A	- Counter weight guide	2	
35	NS02-002	- Keps nut, 1/4-20, coated	4	
36	36627	Counterweight bar	4	

Recommended Parts: A = Truck Stock; B = Dist. Stock
*** = Not Shown**



For the most up-to-date parts information, visit
<https://parts.hennypennyhelp.com>.

SN: BT0802003 and Above



Item No.	Part No.	Description	Qty.	Stocking Level
1	35026	Lid support arm	2	



For the most up-to-date parts information, visit
<https://parts.hennypennyhelp.com>.

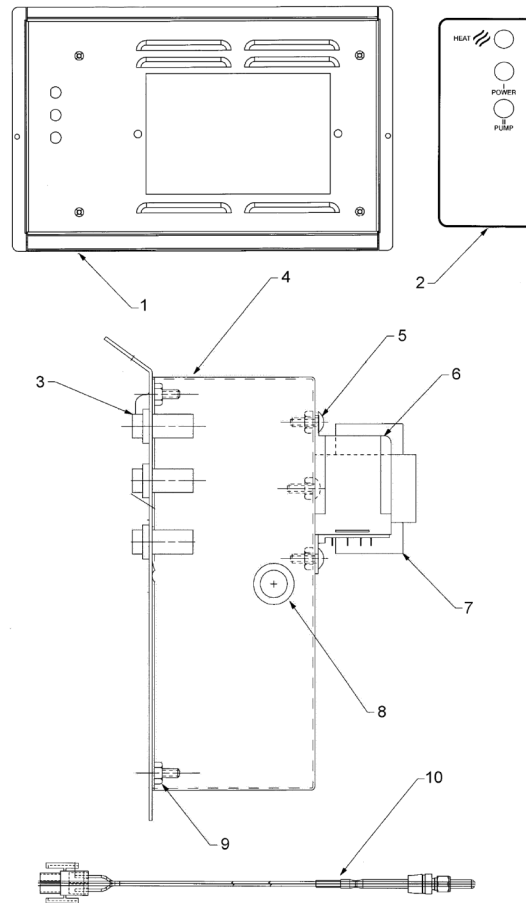
Item No.	Part No.	Description	Qty.	Stocking Level
2	140225	Cable kit (2 cables)	1	A
3	NS01-025	Hex nut, 5/16-18, SS	10	
4	LW01-010	Split ring washer, 3/8, SS	10	
5	35092	Carriage	1	
6	SC01-069	Hex screw, 3/8-16 X 1-1/2, S2P	8	
7	36839	Nylatron slide	2	
8	SC01-042	Hex screw, 3/8-16 X 1, coated	2	
9	36625	Counterweight carriage weld assembly	1	
10	36627	Counterweight bar	7	
11	36626	Counterweight frame spacer	2	
12	67099	Carriage wheel	4	
13	37363	Carriage wheel spacer	4	
14	37364	Spindle	4	
15	SC01-081	Hex screw, 3/8-24 X 3/4, SS	4	
16	35962	Bracket wheel assembly	2	
17	36561	Top frame brace	1	
18	35954	Support pulley plate	4	
19	SC01-132	Cap screw, 1/2-20 X 5/8 SOC	8	
20*	35490	Carriage stop/bumper	2	

Recommended Parts: A = Truck Stock; B = Dist. Stock
*** = Not Shown**



For the most up-to-date parts information, visit
<https://parts.hennypennyhelp.com>.

FAST Control Parts



Contact Fast for replacement control assembly.

Item No.	Part No.	Description	Qty.	Stocking Level
1	66287	FAST header, 120VAC, 392/692	1	
1	66288	FAST header, 230VAC, CE, 392/692	1	
1	66385	FAST header, 220-240VAC, 392/692	1	



For the most up-to-date parts information, visit
<https://parts.hennypennyhelp.com>.

Item No.	Part No.	Description	Qty.	Stocking Level
1	66241	Control panel stud assembly, 392/692	1	
1	66296	Control panel stud assembly, CE, 392/692	1	
2	66289	FAST control decal, 392/692	1	
2	66294	FAST control decal, CE, 392/692	1	
3	54085	Indicator light, green, CE	2	A
3	16624	Indicator light, red	3	A
4	66239	Shield box, 392/692	1	
4	66302	Shield box, CE, 392/692	1	
5	SC01-023	Screw, #6-32 X 1/4, CT, RHD, coated	11	
6	81914	Power relay, 15A-120VAC	1	A
6	56394	Power relay, 10A-240VAC-DBL POLE	1	A
6	60818	Coil relay, 24VAC, non-CE)	3	A
7	66259	FAST transformer assembly, 120VAC	1	A
7	66261	FAST transformer assembly, 230VAC	1	A
8	EF02-072	Split bushing, 3/4	1	
9	NS02-005	Hex keps nut, #6-32 coated	11	
10	66244	FAST probe assembly, 392/692	1	A
11*	66260	FAST I/O control board, 230VAC, CE	1	A
Recommended Parts: A = Truck Stock; B = Dist. Stock * = Not Shown				