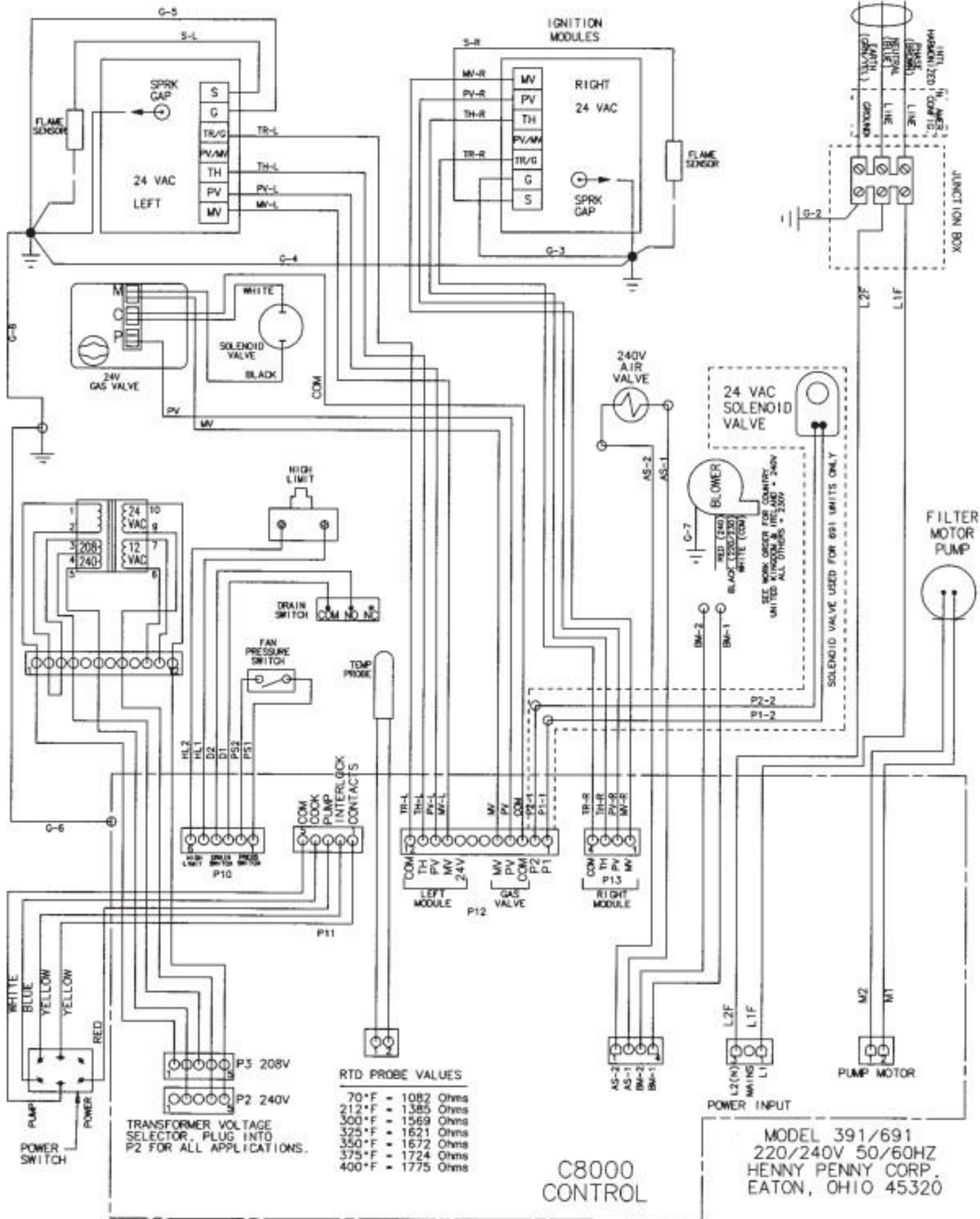


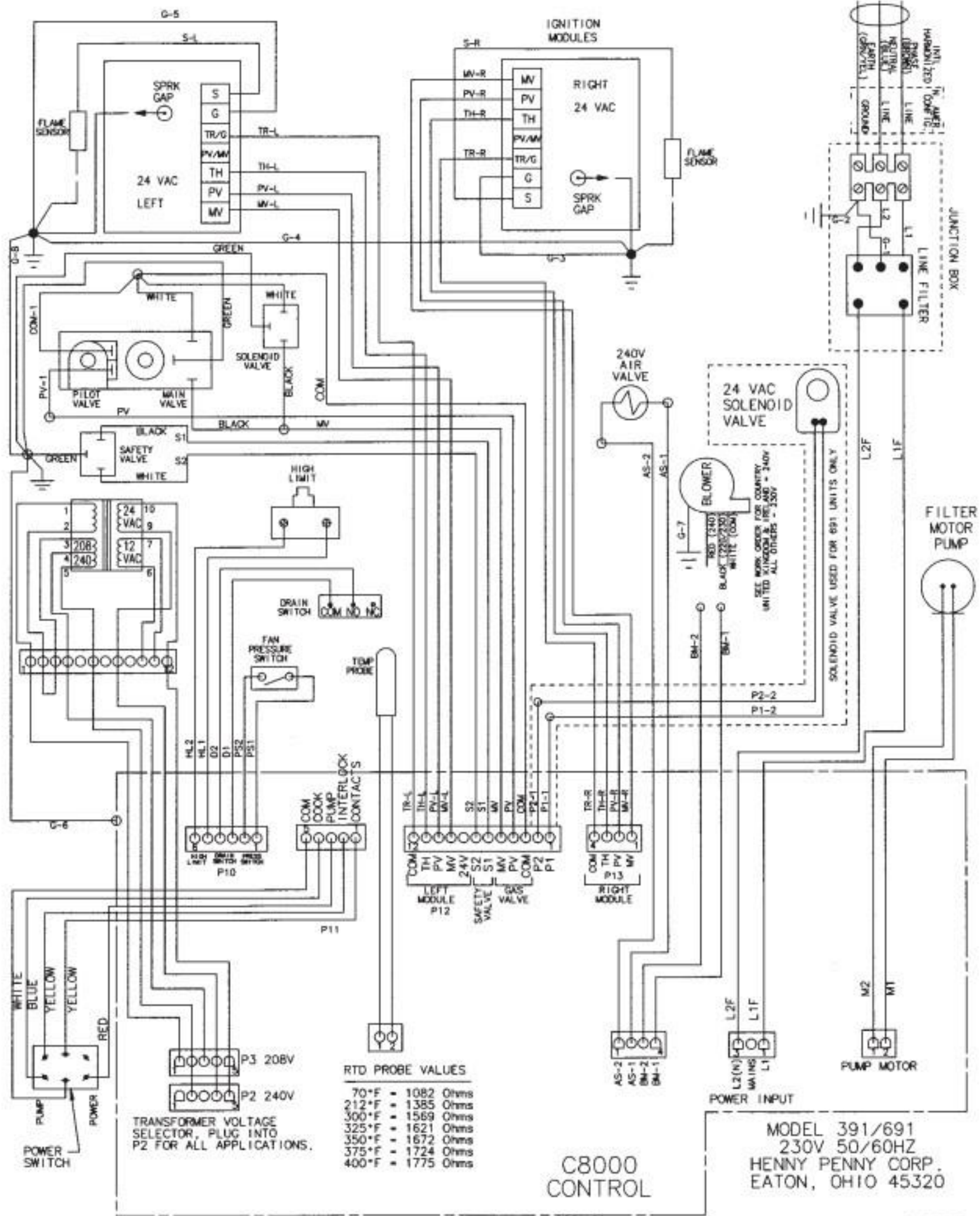
**RTD PROBE VALUES**

70°F	= 1082 Ohms
212°F	= 1385 Ohms
300°F	= 1569 Ohms
325°F	= 1621 Ohms
350°F	= 1672 Ohms
375°F	= 1724 Ohms
400°F	= 1775 Ohms

TRANSFORMER VOLTAGE SELECTOR, PLUG INTO P2 FOR ALL APPLICATIONS.

SOLENOID VALVE USED FOR 691 UNITS ONLY





**RTD PROBE VALUES**

70°F	=	1082 Ohms
212°F	=	1385 Ohms
300°F	=	1569 Ohms
325°F	=	1621 Ohms
350°F	=	1672 Ohms
375°F	=	1724 Ohms
400°F	=	1775 Ohms

TRANSFORMER VOLTAGE SELECTOR, PLUG INTO P2 FOR ALL APPLICATIONS.

MODEL 391/691  
230V 50/60HZ  
HENNY PENNY CORP.  
EATON, OHIO 45320