

**SECTION 3. PARTS INFORMATION**

**3-1. INTRODUCTION**

This section lists the replaceable parts of the Henny Penny OFE/OFG- 32x Open Fryers.

**3-2. GENUINE PARTS**

Use only genuine Henny Penny parts in your fryer. Using a part of lesser quality or substitute design may result in damage to the unit or personal injury.

**3-3. WHEN ORDERING PARTS**

Once the parts that you want to order have been found in the parts list, write down the following information:

Item Number	<u>8</u>	
Part Number	<u>31561</u>	Example:
Description	<u>On/Off Switch</u>	

From the data plate, list the following information:

Product Number	<u>01400</u>	
Serial Number	<u>0001</u>	Example:
Voltage	<u>208</u>	

**3.4 PRICES**

Your distributor has a price parts list and will be glad to inform you of the cost of your parts order.

**3.5 DELIVERY**

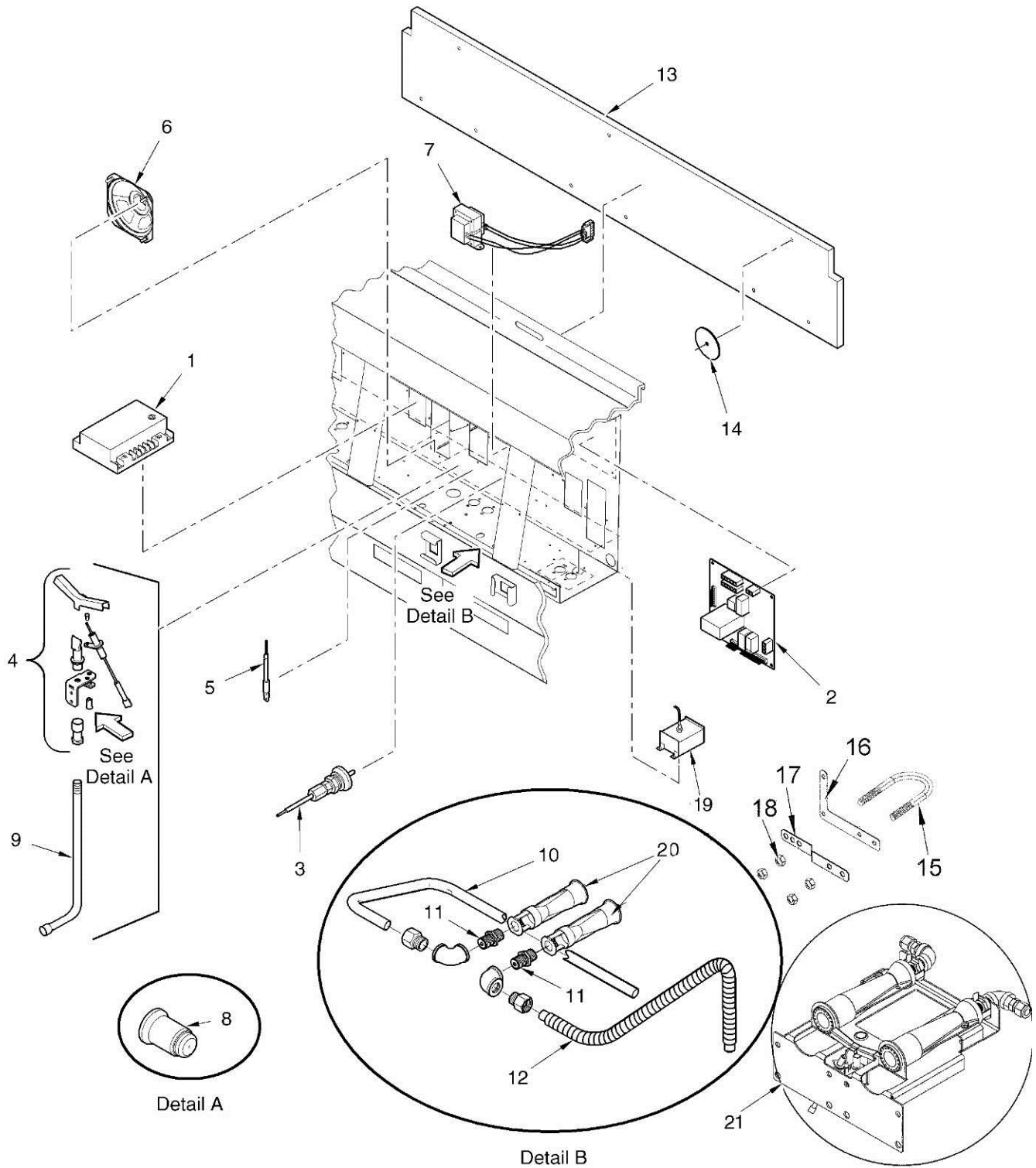
Commonly replaced items are stocked by your distributor and will be sent to you when your order is received. Other parts will be ordered, by your distributor, from Henny Penny Corporation. Normally, these will be sent to your distributor within three working days.

**3.6 WARRANTY**

All replacement parts (except lamps and fuses) are warranted for 90 days against manufacturing defects and workmanship. If damage occurs during shipping, notify the carrier at once so that a claim may be properly filed. Refer to warranty in the front of this manual for other rights and limitations.

**3.7 RECOMMENDED SPARE PARTS FOR DISTRIBUTORS**

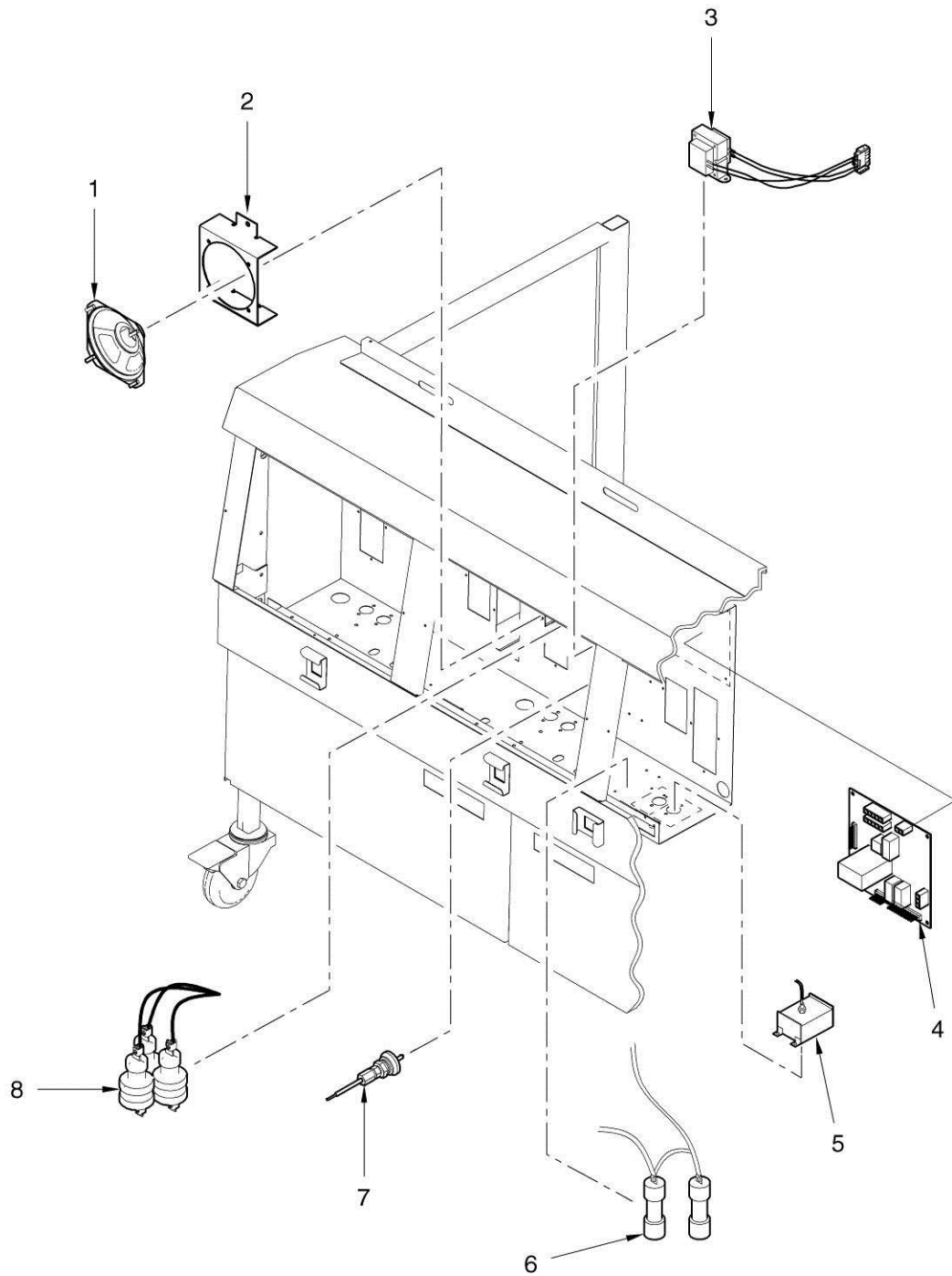
Recommended replacement parts, stocked by your distributor, are indicated with √ in the parts lists. Please use care when ordering recommended parts, because all voltages and variations are marked. Distributors should order parts based upon common voltages and equipment sold in their territory.



**Gas Heat**

ITEM NO.	PART NO.	DESCRIPTION	QTY. PER UNIT		
			321	322	323
		GAS HEAT			
1	14936	KIT - IGNITION MODULE- CE (SN:BN0712013 & BELOW)	1	2	3
√ 1	77602	IGNITION MODULE- CE (SN:BN0712014 & ABOVE)	1	2	3
√ 1	14935	KIT-IGNITION MDL-NON-CE (SN:BN0803028 & BELOW)	1	2	3
√ 1	77839	IGNITION MDL- NON-CE (SN:BN0803029 & ABOVE)	1	2	3
√ 2	60430RB	I/O BOARD ASSY. (BELOW SN: BN0908013/ BP0908001) (BELOW SN: BB0908001/ BA0908015)	1	2	3
√ 2	27286RB	I/O BOARD ASSY. (SN: BN0908013/ BP0908001 & ABOVE) (SN: BB0908001/ BA0908015 & ABOVE)	1	2	3
√ 3	14994	KIT – OFG32X- FULL - PROBE	1	2	3
4	60266	TEE STYLE PILOT ASSY-NAT. (SN: BN0903010 & BELOW)	1	2	3
4	76067	TEE STYLE PILOT ASSY-NAT. (SN: BN0903011 & ABOVE)	1	2	3
4	71981	TEE STYLE PILOT ASSY-LP (SN: BN0903010 & BELOW)	1	2	3
4	81836	TEE STYLE PILOT ASSY-LP. (SN: BN0903011 & ABOVE)	1	2	3
√ 5	60292	PILOT FLAME SENSOR (SN: BN0903010 & BELOW)	1	2	3
√ 5	81786	PILOT FLAME SENSOR (SN: BN0903011 & ABOVE)	1	2	3
√ 6	54561	SPEAKER ASSY.	1	2	3
√ 7	60207	120V TO 24V TRANSFORMER (GAS ONLY)	1	2	3
8	60614	PILOT ORIFICE (LPG) (SN: BN0903010 & BELOW)	1	2	3
8	76505-2	PILOT ORIFICE (LPG) (SN: BN0903011 & ABOVE)	1	2	3
8	60613	PILOT ORIFICE (NAT. GAS) (SN: BN0903010 & BELOW)	1	2	3
8	76505-1	PILOT ORIFICE (NAT. GAS) (SN: BN0903011 & ABOVE)	1	2	3
9	69441	TUBE, ¼ X 10 FLEX SS - PILOT	1	2	3
9	69450	TUBE, ¼ X 15 FLEX SS - PILOT	1	2	3
10	69443	TUBE, 3/8 X 18 FLEX SS - BURNER	1	2	3
11	64055-02	BURNER ORIFICE (LPG)	2	4	6
11	64055-06	BURNER ORIFICE (NAT. GAS)	2	4	6
12	70812	TUBE MANIFOLD	1	2	3
13	60513	INSULATION, FRONT	1	-	-
13	60461	INSULATION, FRONT	-	1	-
13	60183	INSULATION, FRONT	-	-	1
14	WA02-001	WASHER	3	6	9
15	60808	BOLT – U - 2-1/4 X 1-1/4	1	2	3
16	70877	BRACKET – GAS LINE – RH	1	2	3
17	70878	BRACKET – GAS LINE – LH	1	2	3
18	NS02-002	NUT – KEPS - ¼-20 C	4	8	12
√ 19	60241	425° HIGH LIMIT ASSY.	1	2	3
20	60032	BURNER – INSHOT	2	4	6
21	60395-02	ASSY– BURNER/PILOT–LP (W/64055-02 ORIFICE) (SN: BN0903010 & BELOW)	1	2	3
21	81787-02	ASSY– BURNER/PILOT–LP (W/64055-02 ORIFICE) (SN: BN0903011 & ABOVE)	1	2	3
21	60395-06	ASSY– BURNER/PILOT–NAT (W/64055-06 ORIFICE) (SN: BN0903010 & BELOW)	1	2	3
21	81787-06	ASSY– BURNER/PILOT–NAT (W/64055-06 ORIFICE) (SN: BN0903011 & ABOVE)	1	2	3
*22	79185	HARNESS - FLAME SENSOR WIRE	1	2	3

√ recommended parts/\*not shown



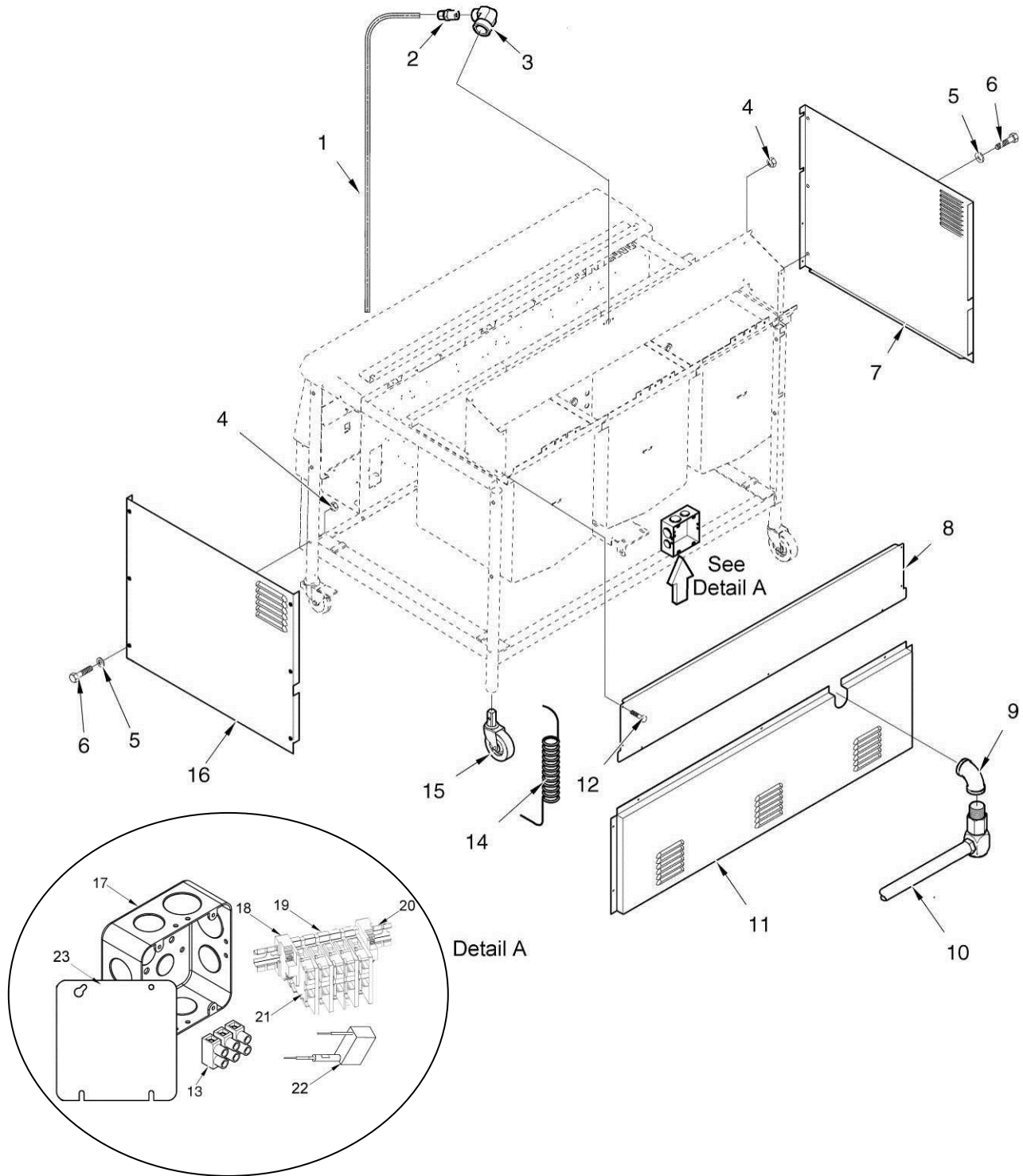
**Electric Heat Controls**

PART NO. ITEM NO.	DESCRIPTION	QTY. PER UNIT		
		321	322	323
	ELECTRIC HEAT CONTROLS			
√ 1	54561 SPEAKER ASSY.	1	2	3
√ 1	26863 SPEAKER ASSY. (CFA ONLY)	1	2	3
2	60781 SPEAKER BRACKET ASSY. (ELEC. ONLY)	1	2	3
2	24916 SPEAKER BRACKET ASSY. (CFA ONLY)	1	2	3
√ 3	60536 24V/230V TRANSFORMER ASSY. (ELEC. & INT'L. GAS)	1	2	3
√ 4	60430RB I/O BOARD ASSY. (SN: BA0908014 & BELOW) (CFA USES 27286RB)	1	2	3
√ 4	80998RB I/O BOARD ASSY. – SPLIT VAT	1	2	3
√ 4	27286RB I/O BOARD ASSY. FRYERS SN -BA0908015 & ABOVE)	1	2	3
√ 5	60241 425° HIGH LIMIT ASSY.	1	2	3
√ 6	EF02-006 15A 250V FUSE HOLDER (SN: BA0608031 & below)	2	4	6
√ 6	EF02-104 20A 250V FUSE HOLDER-CE (SN: BA0605007 to Sept. 17, 2007)	2	4	6
√ 6	EF02-007 15 AMP FUSE (SN: BA0608031 & below) (CE UNITS BUILT SEPT. 17, 2007 & AFTER USE EF02-125)	2	4	6
6	EF02-105 15 AMP FUSE-CE (SN: BA0605007 to Sept. 17, 2007) (CE UNITS BUILT SEPT. 17, 2007 & AFTER USE EF02-125)	2	4	6
√ 6	EF02-125 BREAKER-PUSH BUTTON RESET (SN: BA0608032& after)	2	4	6
√ 7	14776 KIT – ELECTRIC TEMP 6” PROBE – C8000 (OFE- SN: Before SN: BA0908015/ OEA-Before SN: BB0908001)	1	2	3
√ 7	14990 KIT – OFE32X – FULL – 3” PROBE (OFE- SN: BA0908015 & After/ OEA- SN: BB0908001 & After)	1	2	3
√ 7	14991 KIT – OFE32X – C1000 – SPLIT - PROBE	1 PER VAT		
√ 8	29510 24V MERCURY CONTACTOR-SN: BA0810019 & BEFORE (CE FRYERS USE 29510 BEFORE JAN. 1, 2003-SEE CHART BELOW)	2	4	6
√ 8	29509 KIT-E/M 24V CONTACTOR-PRIMARY (SN: BA0810020 & AFTER-EXCEPT WENDY’S-SEE CHART BELOW)	1	2	3
√ 8	65073 24V-E/M CONTACTOR-PRIMARY & SECONDARY-WENDY’S (SN: BA0810020 & ABOVE-SEE CHART BELOW) (CE FRYERS USE 65073 JAN. 1, 2003 & AFTER-SEE CHART BELOW) (ALL OTHER FRYERS USE 65073 AS SECONDARY SN: BA0810020 & ABOVE-SEE CHART BELOW)	2	4	6
√ 9*	60810 I/O BOARD TO CONTROL CABLE - 4 PIN	1	2	3
√ 10*	60838 TRANSFORMER -480V TO 240V	1	2	3
√ 11*	60847 TRANSFORMER MOUNTING BRACKET	1	2	3
√ 12*	19923 TRANSFORMER-LARGE--480V-240V (480V FRYERS)	1	2	3
13	60722 BLOCK – 60 AMP FUSE (22 KW FRYERS ONLY)	1	2	3
√ 14	14970 FUSE – 60 AMP (22 KW FRYERS ONLY) – SET OF 3	1	2	3
√ 15	24347 ASSEMBLY – CURRENT SENSE XFORMERS	1	2	3
16*	83421 HARN-OFG32X C8000 CONTROL	A/R		

√ recommended parts

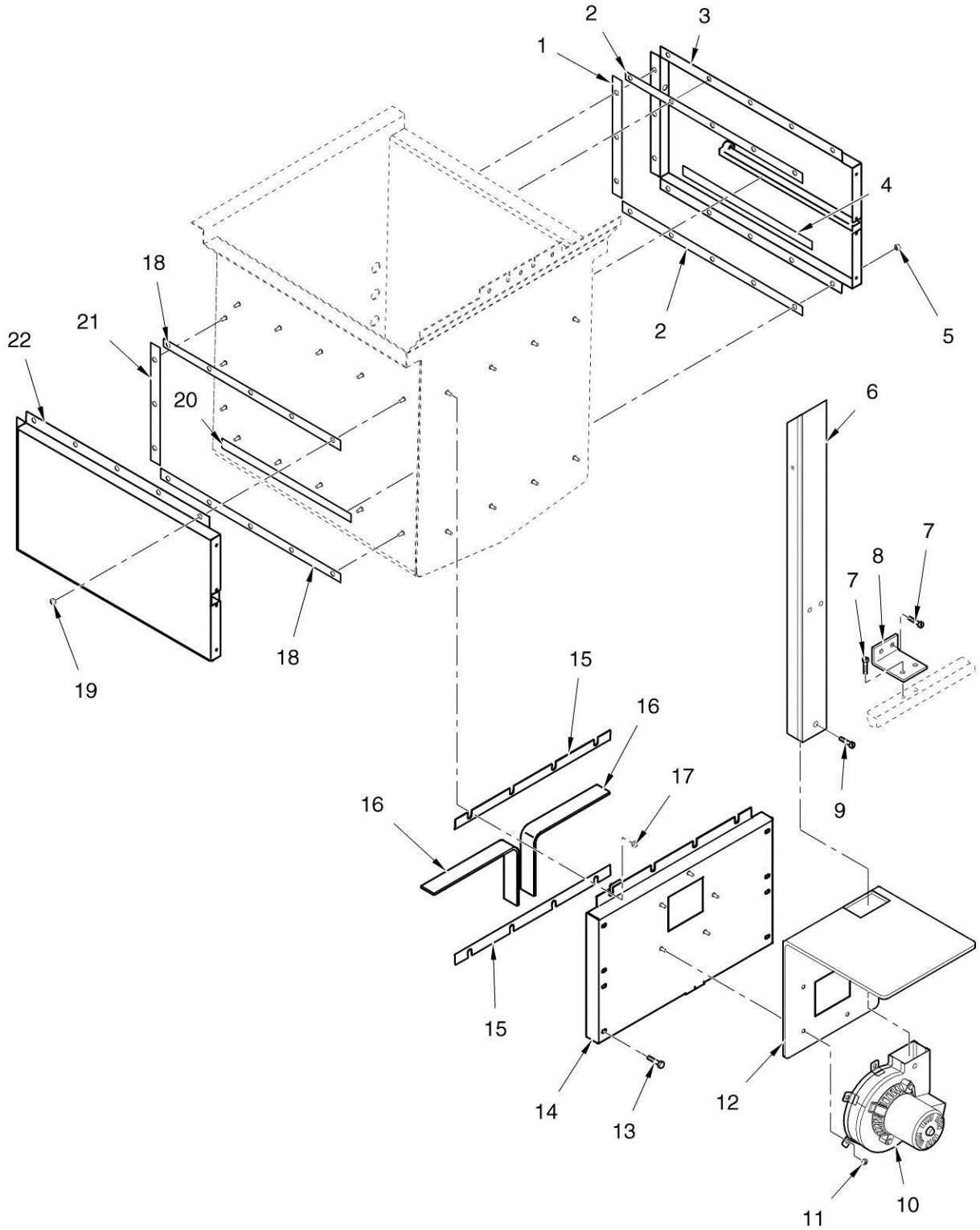
\*not shown

CONTACTORS (Quantities=per well)			
	29510 (Mercury)	29509 (E/M)	65073 (E/M)
Non-CE Fryers	SN:BA0810019 & Below-Qty 2	SN:BA0810020 & After-Qty 1	SN:BA0810020 & After-Qty 1
CE Fryers	Before Jan. 1, 2003-Qty 2		Jan. 1, 2003 & After-Qty 2
Wendy's	SN:BA0810019 & Below-Qty 2		SN:BA0810020 & After-Qty 2
CFA	SN:BA0810019 & Below-Qty 1	Quantity 1	SN:BA0810020 & After-Qty 1



**Side, Top, & Rear Panels**

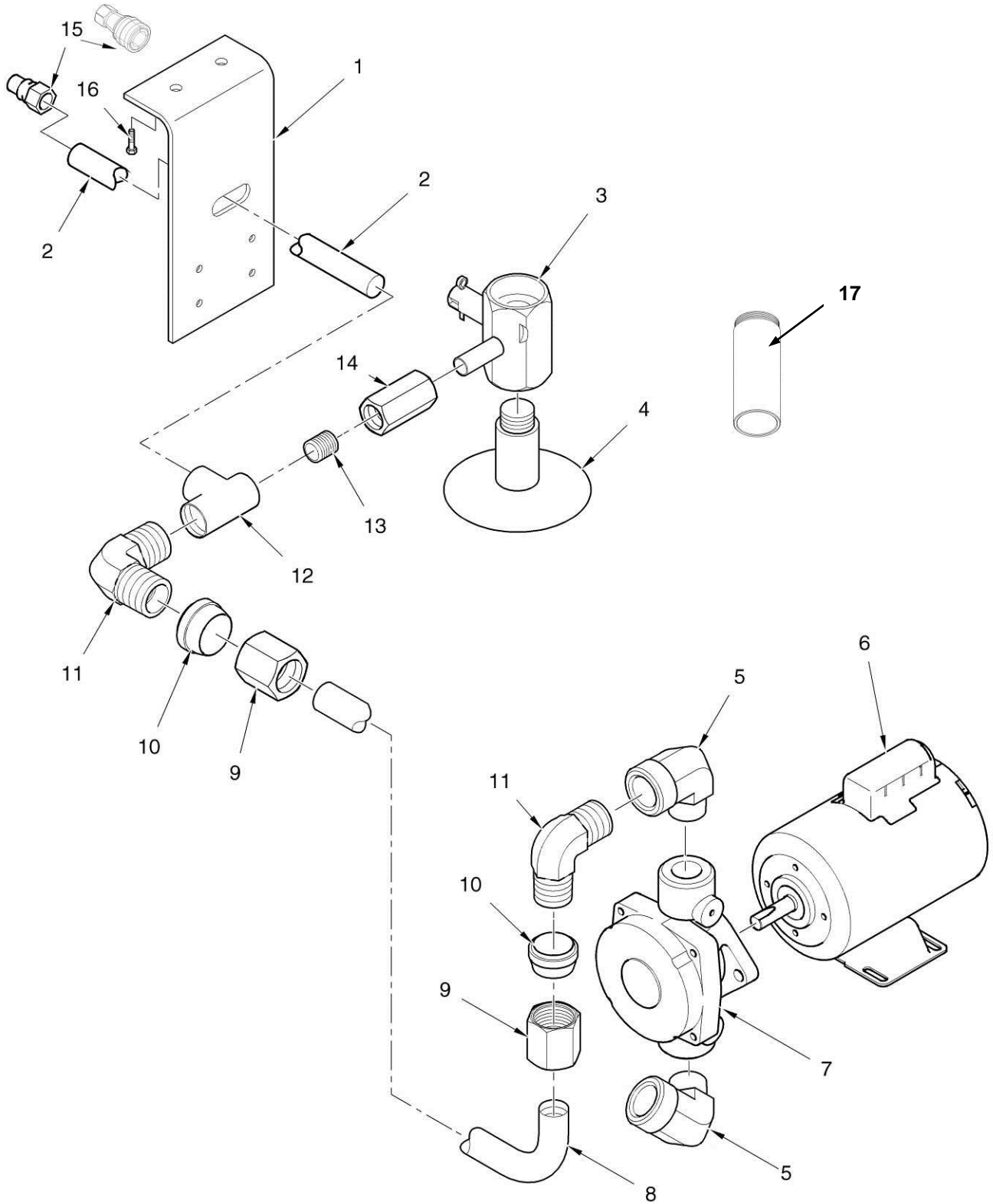
PART NO. ITEM NO.	DESCRIPTION	QTY PER UNIT		
		321	322	323
	SIDE, TOP, AND REAR PANELS			
1	14854 KIT – OFG322 - 3/8 TO 5/8 RETURN RETROFIT	-	1	-
1	14856 KIT – OFE322 - 3/8 TO 5/8 RETURN RETROFIT	-	1	-
1	14860 KIT – OFG324 - 3/8 TO 5/8 RETURN RETROFIT	-	1	-
1	14861 KIT – OFE324 - 3/8 TO 5/8 RETURN RETROFIT	-	1	-
1	14862 KIT – OFX321 & 323 - 3/8 TO 5/8 RETURN RETROFIT	1	-	1
1	60293 TUBE, OIL RETURN LINE (321 SN: BN022JB & BELOW) (323 BEFORE 12/1/06)	1	-	1
1	71459 TUBE, OIL RETURN LINE (323 – 12/1/06 & AFTER)	-	-	1
1	60504 TUBE, OIL RETURN LINE (322 & 324 BEFORE 12/1/06)	-	1	-
1	71471 TUBE, OIL RETURN LINE (322 & 324 – 12/1/06 & AFTER)	-	1	-
2	FP01-082 CONNECTOR - 3/8 TUBE TO ½ NPT SS (321s SN: BN022JB & BELOW)	2	2	2
3	FP01-087 ELBOW (321s SN: BN022JB & BELOW)	1	1	1
4	NS02-002 NUT, END PANEL RETAINING	6	6	6
5	WA01-002 FLAT WASHER	6	6	6
6	SC01-216 SCREW	8	8	8
7	60551 GM- SIDE PANEL, LH (BEFORE SN:BA0906039) GAS- BEFORE SN: BN0906050	1	1	1
7	60551 SIDE PANEL, LH-WENDY'S	1	1	1
7	83216 SIDE PANEL, LH (CE) (BEFORE SN: BA0909034)	1	1	1
8	60368 TOP REAR COVER (3 WELL)	-	-	1
8	60471 TOP REAR COVER (2 WELL)	-	1	-
8	60527 TOP REAR COVER (1 WELL)	1	-	-
9	FP01-098 ELBOW, MAIN GAS INLET CONNECTION	1	1	1
10	60618 GAS LINE, 1/2 IN. W/DOUBLE SWIVEL (321)	1	-	-
10	33501 GAS LINE, 3/4 IN. W/DOUBLE SWIVEL (322)	-	1	-
10	33167 GAS LINE, 1 IN. W/DOUBLE SWIVEL (323)	-	-	1
11	60369 BOTTOM REAR COVER (GAS ONLY-323)	-	-	1
11	60472 BOTTOM REAR COVER (GAS ONLY-322)	-	1	-
11	60528 BOTTOM REAR COVER (GAS ONLY-321)	1	-	-
12	SC03-005 SCREW, BOX RETAINING	2	2	2
13	ME50-021 TERMINAL BLOCK (GAS)	1	1	1
13	63097 TERMINAL BLOCK – 2 POLE (CFA ONLY)	1	1	1
14	33353 120V COILED POWER CORD (GAS ONLY)	1	1	1
15	60312 CASTER 4 IN. W/O BRAKE	2	2	2
16	60552 GM- SIDE PANEL, RH (BEFORE SN:BA0906039) GAS- BEFORE SN: BN0906050	1	1	1
16	60552 SIDE PANEL, RH WENDY'S	1	1	1
16	83217 SIDE PANEL, RH(CE) (BEFORE SN: BA0909034)	1	1	1
17	19707 BOX – JUNCTION	1	1	1
18	18135 END CLAMP (OFE/OEA)	2	2	2
19	18127 TERMINAL BLOCK (OFE/OEA)	5	5	5
20	18136 TRACK – 3-1/2 INCH LONG (OFE/OEA)	1	1	1
21	18128 BUCHANAN END – 230 (OFE/OEA)	1	1	1
22	36012 ASSY – CAPACITOR/RESISTOR	1	1	1
23	19708 COVER – JUNCTION BOX	1	1	1
24*	33514 CORD – TETHER, 60 IN.	1	1	1
25*	14972 KIT-32X LIFT (LEG EXTENSIONS & HARDWARE TO RAISE A STANDARD HEIGHT UNIT BY 2 INCHES)	1	1	1



**Gas Heat Ducting & Insulation**

PART NO. ITEM NO.	DESCRIPTION	QTY. PER UNIT			
		321	322	323	
GAS HEAT DUCTING & INSULATION					
1	60181	INSULATION, LH DUCT, FRONT & REAR	2	4	6
2	60180	INSULATION, LH DUCT, TOP & BOTTOM	2	4	6
3	60387	LH SIDE FLUE DUCT ASSY.	2	4	6
4	60182	INSULATION, LH DUCT, DIVIDER	1	2	3
5	NS02-002	NUT, LH DUCT RETAINING	13	26	39
6	60159	FLUE ASSY.	1	2	3
7	SC03-005	SCREW, BRACKET RETAINING	4	8	12
8	60359	BRACKET, FLUE RETAINING	1	2	3
9	SC03-005	SCREW, FLUE SECURING	3	6	9
√ 10	14420	KIT - BLOWER MOTOR ASSY – 120V (GAS ONLY)	1	2	3
√ 10	14422	KIT - BLOWER MOTOR ASSY – 220-240V (GAS ONLY)	1	2	3
11	NS02-006	NUT, BLOWER AND SPACER RETAINING	5	10	15
12	60392	RESTRICTOR PLATE/SPACER ASSY.	1	2	3
12	60523	RESTRICTOR PLATE/SPACER ASSY. (CE)	1	2	3
13	SC03-005	SCREW, BOX RETAINING	8	16	24
14	60338	COLLECTOR BOX ASSY.	1	2	3
15	60179	INSULATION, BOX TOP & BOTTOM	2	4	6
16	60373	INSULATION, BOX BAFFLE	2	4	6
17	NS02-006	NUT, BOX RETAINING	4	8	12
18	60180	INSULATION, RH DUCT, TOP & BOTTOM	2	4	6
19	NS02-002	NUT, RH DUCT RETAINING	13	26	39
20	60182	INSULATION, RH DUCT, DIVIDER	1	2	3
21	60181	INSULATION, RH DUCT, FRONT & REAR	2	4	6
22	60386	RH SIDE FLUE DUCT ASSY.	2	4	6

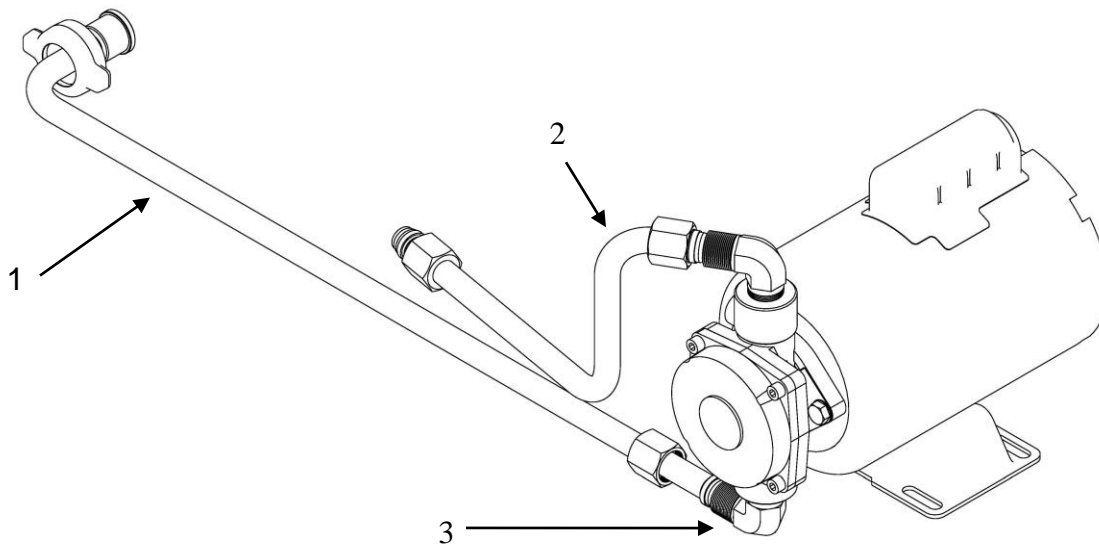
√ recommended parts



**Oil Filtering System**

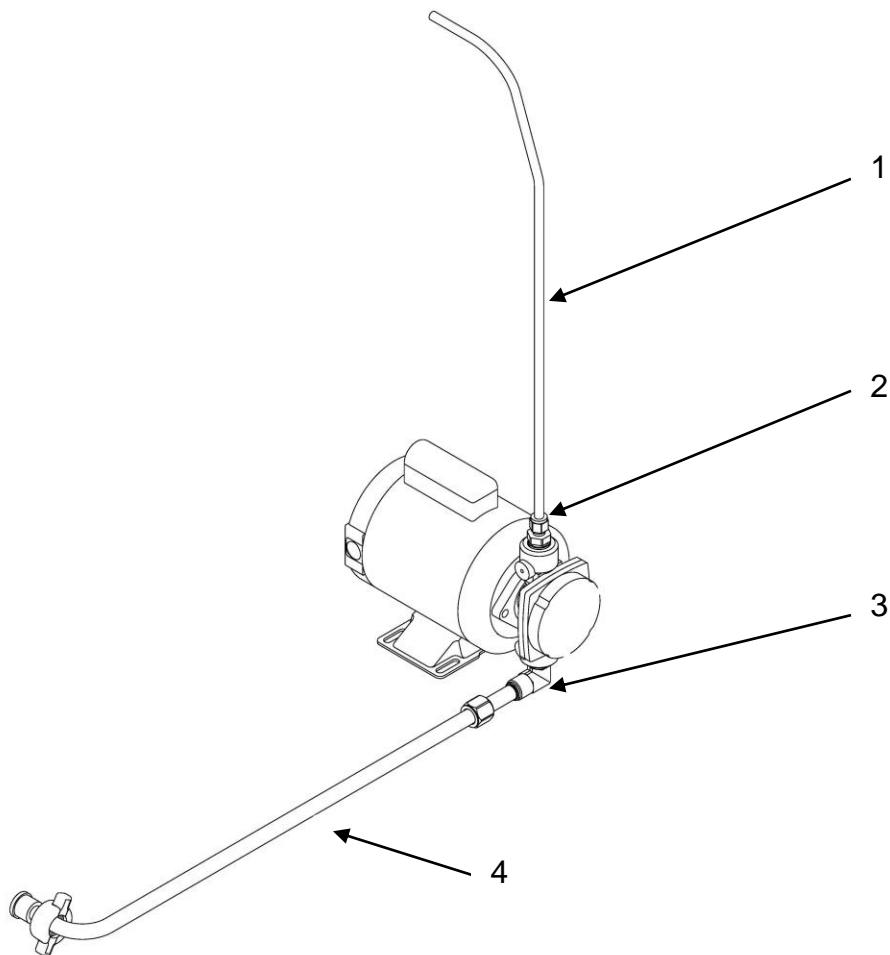
PART NO. ITEM NO.	DESCRIPTION	QTY. PER UNIT		
		321	322	323
3-5	OIL FILTERING SYSTEM			
1	66005 FRONT PLATE	1	-	-
2	17320 PIPE, FRONT ( BN023JB & AFTER)	1	-	-
3	55152 DRAIN VALVE & COUPLING ASSY.	1	2	3
4	60388 DRAIN VALVE EXTENSION (GAS) (321, (SN: BN022JB & BELOW; 322 & 323, SN: GN045JB & BELOW)	1	2	3
4	60736 DRAIN VALVE EXT. (ELECT.) (SN: GM024JB & BELOW)	1	2	3
4	24643 DRAIN VALVE EXT. (ELECT.) (SN: GM025JB & ABOVE)	1	2	3
4	24420 DRAIN VALVE EXTENSION – OFG-322/323 (GAS-SN: GN046JB & ABOVE)	-	2	3
4	23839 DRAIN VALVE EXTENSION (OFG-321, SN: BN023JB & ABOVE)	1	-	-
5	16239 ELBOW, FILTER PUMP	2	-	-
6	67589 ASSY – FILTER PUMP & MOTOR			
√ 6	67583 FILTER PUMP MOTOR, 1/2 HP	1	1	1
7	17437 FILTER PUMP	1	1	1
8	26966 ASSY – POT TO PUMP TUBE – OFE-321	1	-	-
8	24257 ASSY – POT TO PUMP TUBE – OFG-321	1	-	-
9	16809 NUT, FILTER TO VALVE TUBE	2	-	-
10	16808 FERRULE, FILTER TO VALVE TUBE	2	-	-
11	17407 ELBOW, FILTER PUMP TUBE	1	-	-
12	17306 TEE	1	-	-
13	FP02-001 NIPPLE	1	-	-
√ 14	17308 VALVE, FILTER	1	-	-
15	17334 QUICK CONNECT FITTING - MALE	1	-	-
15	17333 QUICK CONNECT FITTING - FEMALE	1	-	-
16	SC03-005 SCREW, PLATE RETAINING	2	-	-
17	78384 EXTENSION – 321 SPLIT VAT – DRAIN	1	-	-

√ recommended parts



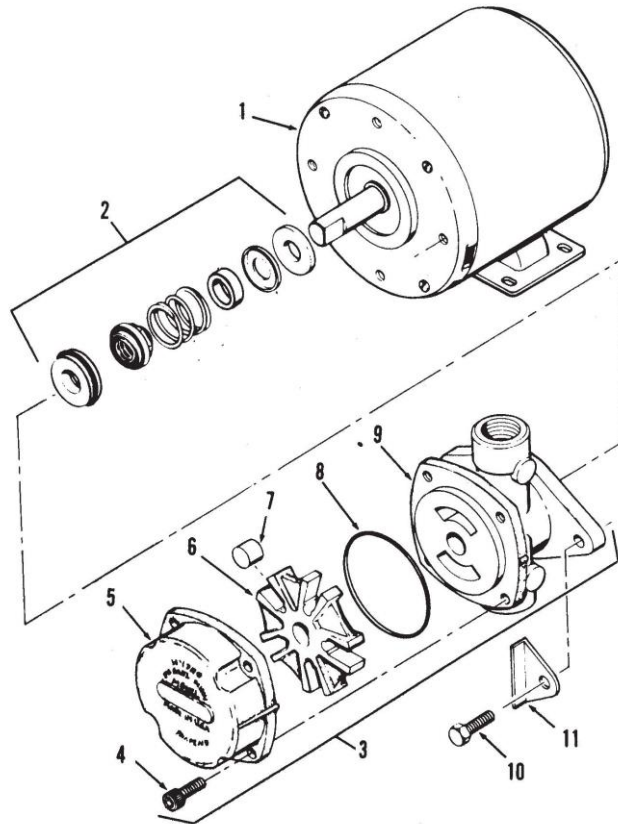
**Assy- Pump Motor/Tubing-OFG321**

<b>PART NO. ITEM NO.</b>	<b>DESCRIPTION</b>	<b>QTY. PER UNIT 321</b>
1     60442	ASSY-TUBE FILTER TO PUMP Gas (Before SN: BN1105020	1
1     91600	ASSY- BENT TUBE FILTER TO PUMP Gas (After SN: BN1105020	1
2     24257	ASSY-TUBE PUMP TO POT OFG321	1
3     17407	CONNCECTOR ½ MALE ELBOW	1



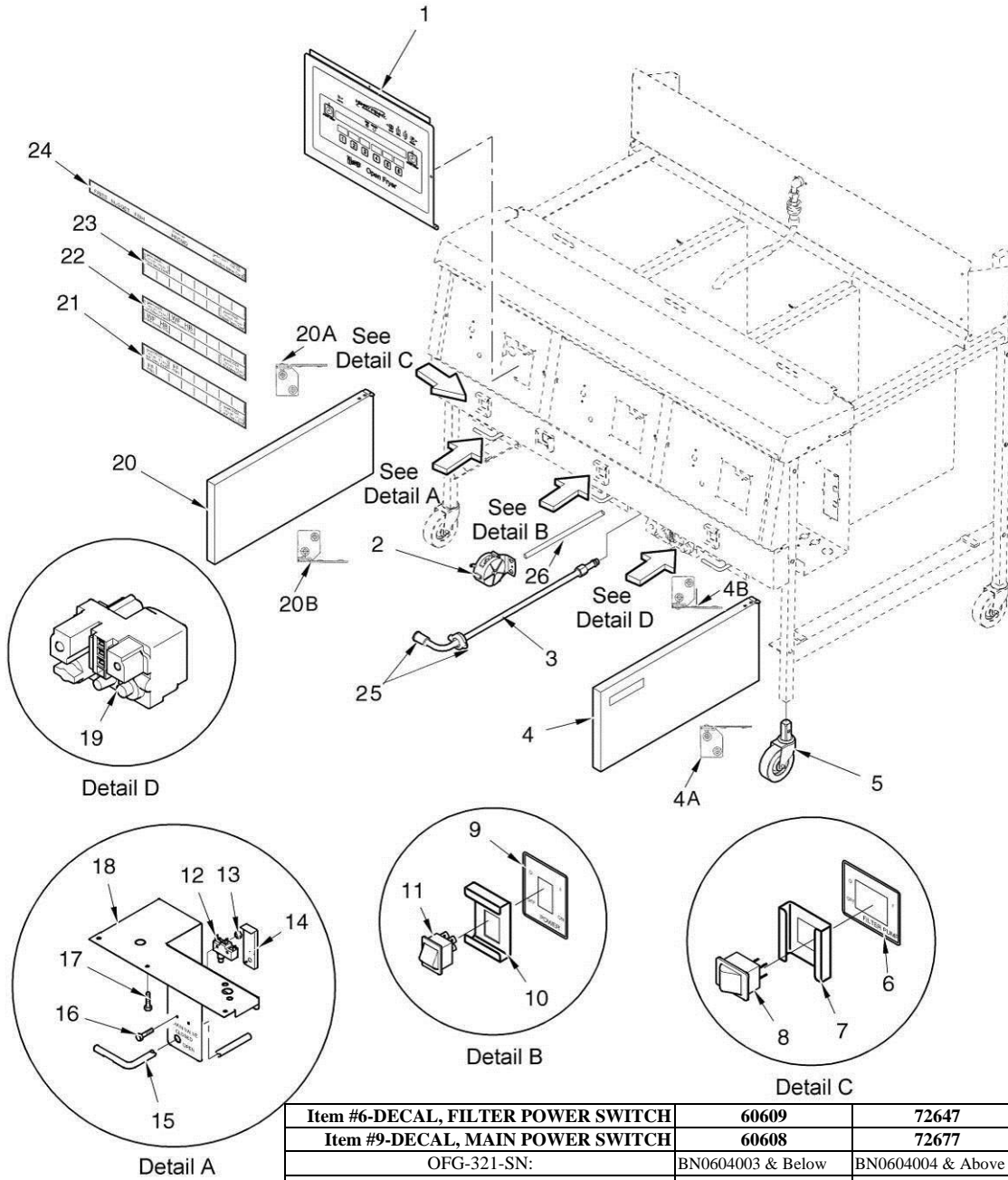
**Assy-Pump Motor/Tubing 322-323**

PART NO. ITEM NO.	DESCRIPTION	QTY. PER UNIT	
		322	323
1 60293	TUBE-OIL RETURN LINE	1	1
2 FP01-082	CONNECTOR - 3/8 TUBE TO 1/2 NPT SS		
3 17407	ELBOW, FILTER PUMP TUBE	1	1
4 60442	ASSY-TUBE FILTER TO PUMP	1	1
5* 91600	Gas (Before SN: BN1105020) Electric (Before SN: BN1105020) ASSY- BENT TUBE FILTER TO PUMP Gas (After SN: BN1105020) Electric (After SN:BA1105017)	1	1



**Oil Filtering System**

<b>PART NO. ITEM NO.</b>	<b>DESCRIPTION</b>	<b>QTY. PER UNIT</b>
√1 67583	MOTOR, 1/2 HP - 50/60 Hz	1
√2 17476	SEAL KIT	1
√3 17437	PUMP ASSEMBLY	1
√4 SC01-132	SCREW, Pump Cover	1
√5 17451	COVER, Pump	1
√6 17447	ROTOR, Pump	1
√7 17446	ROLLER, Pump	5
√8 17453	O-RING	1
√9 17454	BODY, Pump	1
√10 17456	SHIELD, Pump	2
√11 SC01-026	SCREW, Pump Shield	1



<b>Item #6-DECAL, FILTER POWER SWITCH</b>	<b>60609</b>	<b>72647</b>
<b>Item #9-DECAL, MAIN POWER SWITCH</b>	<b>60608</b>	<b>72677</b>
OFG-321-SN:	BN0604003 & Below	BN0604004 & Above
OGA-321-SN:	Below SN BP0604001	BP0604001 & Above
OFE-321-SN:	BA0604010 & Below	BA0604011 & Above
OEA-321-SN:	BB0604002 & Below	BB0604003 & Above
OFG-322-SN:	BN0604004 & Below	BN0604005 & Above
OGA-322-SN:	BP0605006 & Below	BP0605007 & Above
OFE-322-SN:	BA0604001 & Below	BA0604002 & Above
OEA-322-SN:	-	-
OFG-323-SN:	BN0604014 & Below	BN0604015 & Above
OGA-323-SN:	-	-
OFE-323-SN:	-	-
OEA-323-SN:	-	-

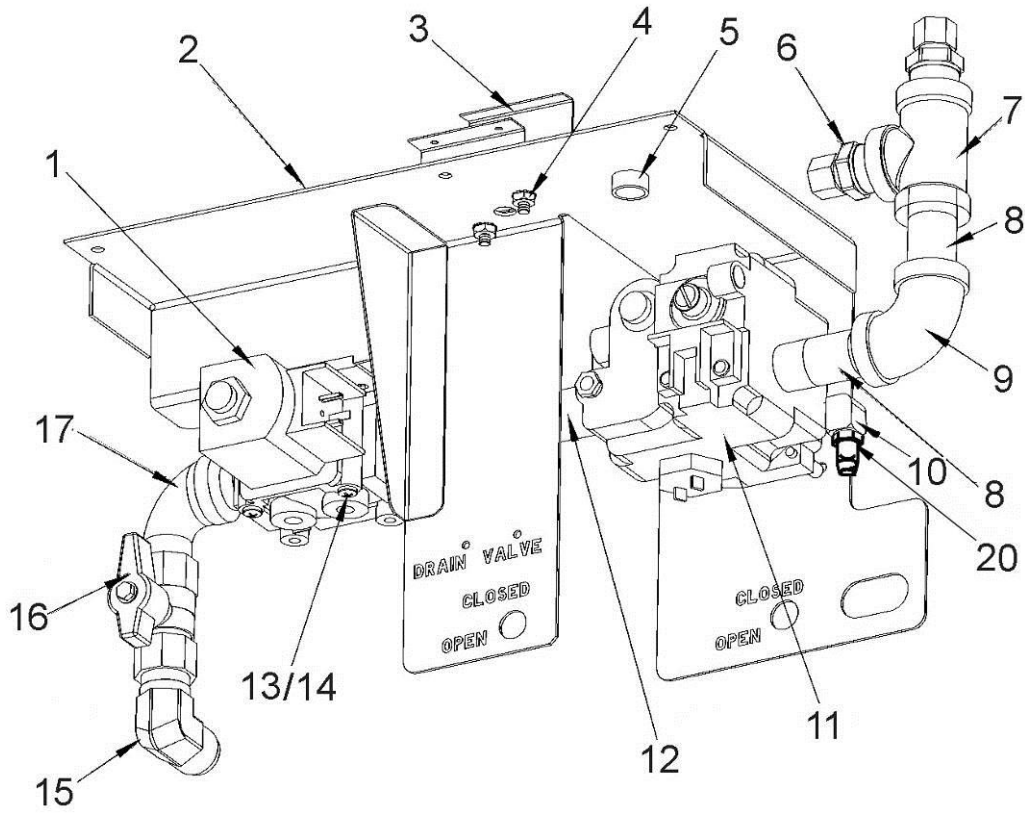
**Door, Switches, Menu Card, & Control Board**

3-15

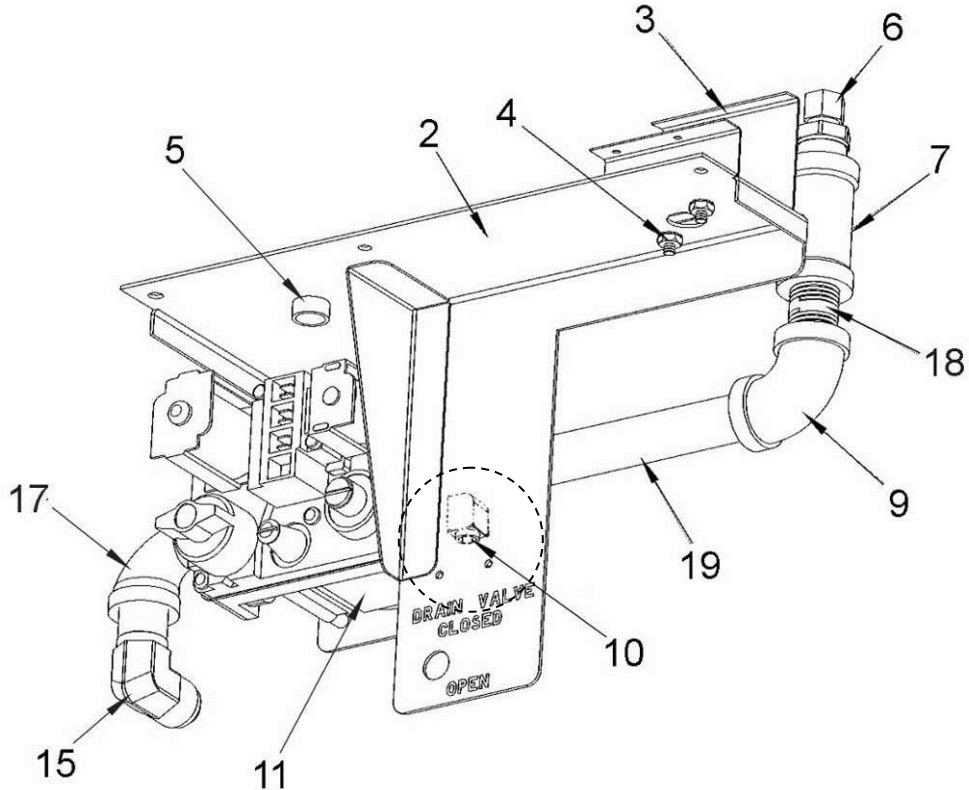
806

PART NO. ITEM NO.	DOOR, SWITCHES, MENU CARD, & CONTROL BOARD	DESCRIPTION	QTY. PER UNIT		
			321	322	323
√ 1	60603RB	6 TIMER CONTROL BOARD ASSY.	1	2	3
√ 1	69058RB	6 TIMER CONTROL BOARD ASSY. (CAFÉ EXPRESS)	1	2	3
√ 1	60796RB	12 TIMER CONTROL BOARD ASSY.	1	2	3
√ 1	67924RB	12 TIMER CONTROL BOARD ASSY. (CFA ONLY)	1	2	3
√ 1	69704RB	12 TIMER CONTROL BOARD ASSY.(POLLO CAMPERO ONLY)	1	2	3
√ 1	14949	ASSY – C1000 CONTROL	1	2	3
√ 1	81067RB	ASSY - C8000 CONTROL – SPLIT VAT	1	2	3
-	60586	DECAL - CONTROL, OFG-320 (WENDY'S 6 TIMER)	1	2	3
-	61481	DECAL-OFG 12 BUTTON GM	1	2	3
2	14894	KIT - OFG 32X VAC SWITCH REPLACE (GAS ONLY)	1	2	3
3	60442	FILTER TO PUMP TUBE ASSY(321-SN:BN023JB & ABOVE)	1	1	1
4	71879	RIGHT DOOR ASSY. (3 WELL)	-	-	1
4	71874	RIGHT DOOR ASSY. (2 WELL)	-	1	-
4A	17618	HINGE – DOOR – TOP	1	1	1
4B	17620	HINGE – DOOR – BOTTOM	1	1	1
5	52064	4 IN. SWIVEL CASTER W/ BRAKE	2	2	2
6		<b>SEE CHART ON PREVIOUS PAGE</b>	1	1	1
7	60844	SWITCH GUARD, FILTER SWITCH	1	1	1
√ 8	72277	FILTER SWITCH	1	1	1
9		<b>SEE CHART ON PREVIOUS PAGE</b>	1	2	3
10	60844	SWITCH GUARD, POWER SWITCH	1	2	3
√ 11	72277	POWER SWITCH ASSY.	1	2	3
√ 11	52224	COVERED POWER SWITCH (CE)	1	2	3
12	14681	KIT – OFE-321 N/O DRAIN SWITCH	1	-	-
12	14682	KIT – OFG-321 N/O DRAIN SWITCH	1	-	-
12	14650	KIT – OFG-322 & 323 N/O DRAIN SWITCH	-	2	3
12	14651	KIT – OFE-322 & 323 N/O DRAIN SWITCH	-	2	3
√ 12	18227	DRAIN MICROSWITCH	1	2	3
13	NS02-005	NUT	2	4	6
14	59224	DRAIN SWITCH COVER - GAS	1	2	3
15	18818	DRAIN VALVE EXTENSION ROD	1	2	2
15	74193	ROD – N/O 320 DRAIN –OFE-32X (USED ON OFG-32X SN: BN0901008 & BELOW)	1	2	3
15	80981	ROD–N/O OFG-32X DRAIN (SN: BN0901009 & ABOVE)	1	2	3
16	SC01-058	SCREWS, COVER & BRACKET RETAINING (6-32 X 1.5 IN.)	2	4	6
17	SC03-005	SCREWS, BRACKET RETAINING	2	4	6
18	66006	DRAIN SWITCH BRKT -GAS (SN: BN0901008 & BELOW)	1	2	3
18	80985	DRAIN SWITCH BRKT -GAS (SN: BN0901009 & ABOVE)	1	2	3
18	60718	DRAIN SWITCH BRACKET (ELECTRIC HEAT)	1	2	3
18	24802	DRAIN SWITCH BRACKET – OFE- 321	1	-	-
√ 19	140039	KIT-24V NAT. GAS VALVE (SN: BN0901008 & BELOW) - 321	1	-	-
√ 19	140040	KIT-24V NAT. GAS VALVE (SN: BN0901008 & BELOW)-322/323	-	2	3
√ 19	80761	24V NATURAL GAS VALVE (SN: BN0901009& ABOVE)	1	2	3
√ 19	60632	24V NATURAL GAS VALVE (CE)	1	2	3
√ 19	140039	KIT-24V LP GAS VALVE (SN: BN0901008 & BELOW) - 321	1	-	-
√ 19	140040	KIT-24V LP GAS VALVE (SN: BN0901008 & BELOW) - 322/323	-	2	3
√ 19	80858	24V LP GAS VALVE (SN: BN0901000 & ABOVE)	1	2	3
√ 19	60633	24V LP GAS VALVE (CE)	1	2	3

614			3-16		
20	71880	LEFT DOOR ASSY. (3 WELL)	-	-	1
20	71875	LEFT DOOR ASSY. (2 WELL)	-	1	-
20	71870	DOOR ASSY. (1 WELL)	1	-	-
20A	17618	HINGE – DOOR – TOP	1	1	1
20B	17620	HINGE – DOOR – BOTTOM	1	1	1
21	59565	GM MENU CARD	1	2	3
22	61724	CFA MENU CARD	1	2	3
23	59566	BLANK MENU CARD	1	2	3
23	69227	MENU CARD - POLLO	1	2	3
24	60682	WENDYS MENU CARD	1	2	3
24	14902	KIT – OFX WENDY’S BRKFST MENU STR	1	1	1
24	14997	KIT – 320 WENDY’S MENU STRIPS	1	1	1
√ 25	69289	ASSY – FILTER UNION	1	1	1
26	60202	TUBE – VACUUM SWITCH	1	1	1
27*	18911	FILTER VALVE HANDLE (1 WELL UNITS)	1	-	-
28*	14260	OFG NATURAL TO LP CONV. KIT	1	2	3
29*	14261	OFG LP TO NATURAL CONV. KIT	1	2	3
29*	14649	OFG LP TO 13A NATURAL CONV. KIT	1	2	3
30*	17002	DOOR MAGNET	1	2	2
31*	59230	BRKT – MAGNET	1	2	2
32*	SC03-005	SCREWS	2	4	4
33*	65101	SHIELD – OPEN WELL MOTOR SPLASH	1	1	1
34*	140006	KIT- OFG-OFE- MENU CARD & TOOL- WENDY’S	1	1	1
√ recommended parts/*not shown					



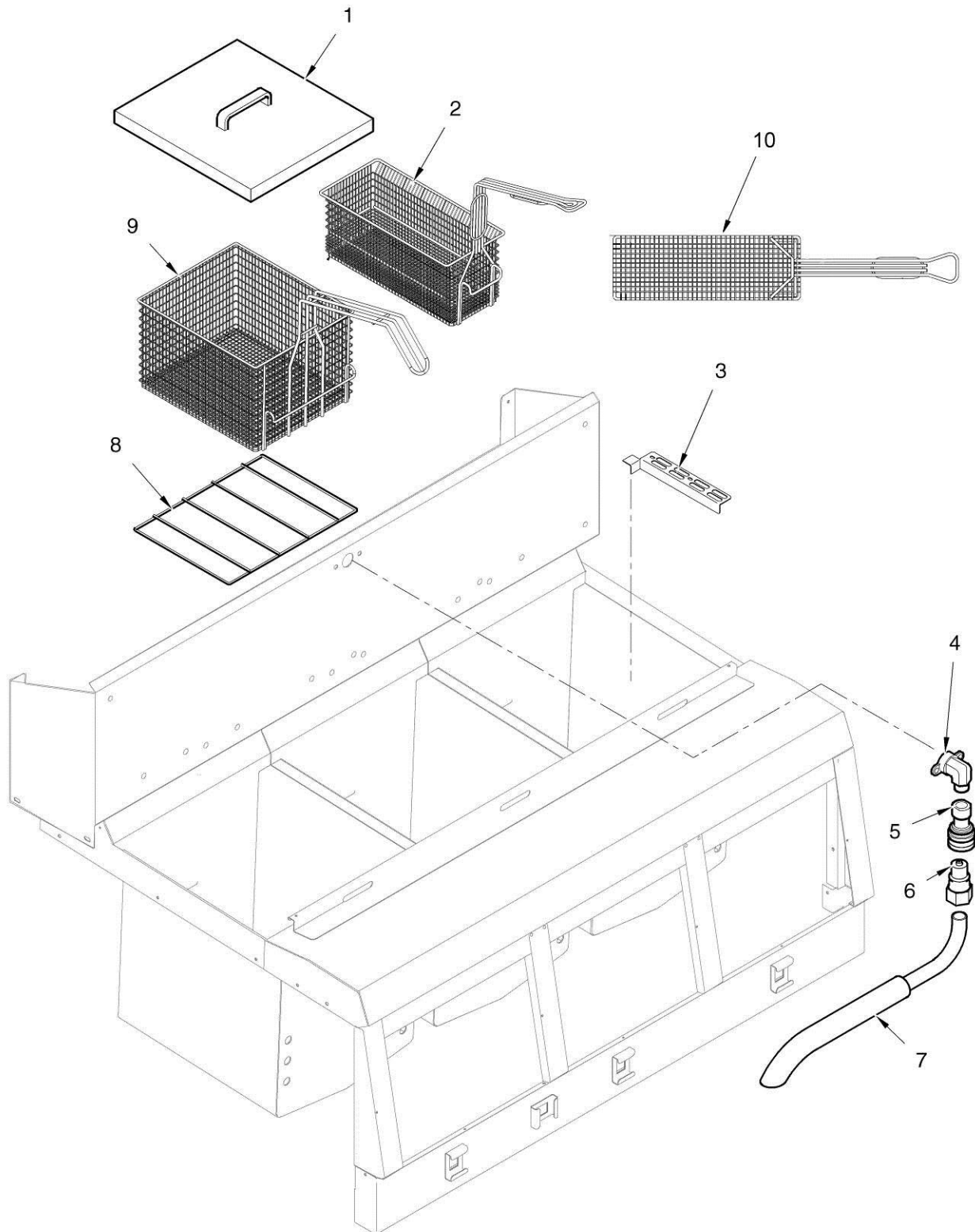
**CE Gas Valve Assembly**



**Standard Gas Valve Assembly**

PART NO. ITEM NO.	DESCRIPTION	QTY. PER UNIT		
		321	322	323
	<b>GAS VALVE ASSEMBLIES</b>			
1	34802 VALVE – SOLENOID-24V - 50-60 HZ	1	2	3
2	66006 WELD ASSY-GAS VALVE BRKT (SN: BN0901008 & BELOW)	-	2	3
2	80985 WELD ASSY-GAS VALVE BRKT (SN: BN0901009 & ABOVE)	-	2	3
2	66004 WELD ASSY – GAS VALVE BRACKET – OFG-321 (SN: BN0901008 & BELOW)	1	-	-
2	81001 WELD ASSY – GAS VALVE BRACKET – OFG-321 (SN: BN0901009 & ABOVE)	1	-	-
2	66007 WELD ASSY – GAS VALVE BRACKET (CE)	-	2	3
2	66009 WELD ASSY – GAS VALVE BRACKET (CE)–OFG-321	1	-	-
3	17216 ASSY – BRACKET – HIGH LIMIT	1	2	3
3	60520 ASSY – BRACKET – HIGH LIMIT (CE)	1	2	3
4	NS02-001 NUT – HEX KEPS - #10-32 C	2	4	6
5	EF02-106 BUSHING – SNAP – ½ ID PLASTIC	1	2	3
6	FP01-115 CONNECTOR – 3/8 TUBE TO ½ NPT BR	2	4	6
7	FP01-112 ½ NPT FEMALE PIPE TEE BI	1	2	3
8	FP02-018 NIPPLE – ½ NPT X 2.00L BI	2	4	6
9	FP01-090 ELBOW – ½ NPT X 90 FEMALE BI	1	2	3
10	FP01-014 ELBOW – 1/8 INCH Z	1	2	3
11	140039 KIT - NAT. GAS VALVE (SN: BN0901008 & BELOW) - 321	1	-	-
11	140040 KIT-NAT GAS VALVE (SN: BN0901008 & BELOW)-322/323	-	2	3
11	80761 24V NAT. GAS VALVE (SN: BN0901009 & ABOVE)	1	2	3
11	60632 24V NATURAL GAS VALVE (CE)	1	2	3
11	140039 KIT-LP GAS VALVE (SN: BN0901008 & BELOW) - 321	1	-	-
11	140040 KIT-LP GAS VALVE (SN: BN0901008 & BELOW) - 322/323	-	2	3
11	80858 24V LP GAS VALVE (SN: BN0901009 & ABOVE)	1	2	3
11	60633 24V LP GAS VALVE (CE)	1	2	3
11	68245( N/A) HONEYWELL-24V UNREG. GAS VALVE (FRANCE) (USE 60496-002)	1	2	3
12	FP02-020 NIPPLE ½ NPT X 5 LG PIPE SS	1	2	3
13	SC01-175 SCREW - #8-32 X 2.00 PH PHD SS	2	4	6
14	NS02-007 NUT – HEX KEPS - #8-32 C	2	4	6
15	16336 ELBOW – MALE	1	2	3
16	45401 VALVE – ½ INCH GAS BALL	1	2	3
17	FP01-088 ELBOW – STREET ½ X 90 BI	1	2	3
18	FP01-022 ½ NPT PIPE NIPPLE – 1-1/2 L	1	2	3
19	FP02-029 NIPPLE-½ NPT X 7 IN. LONG BI (SN: BN0901008 & BELOW)	1	2	3
19	FP02-065 NIPPLE-½ NPT X 8 IN. LONG BI (SN: BN090100( & ABOVE)	1	2	3
20	16355 NIPPLE – PRESSURE TEST	1	2	3
*21	SC02-045 SCREW 8-32 X 1”-Standard Gas Valve Retaining	2	4	6
*22	ME50-066 SPACER 5/16” ID X 7/16”-Standard Gas Valve Retaining	2	4	6

\* Not Shown

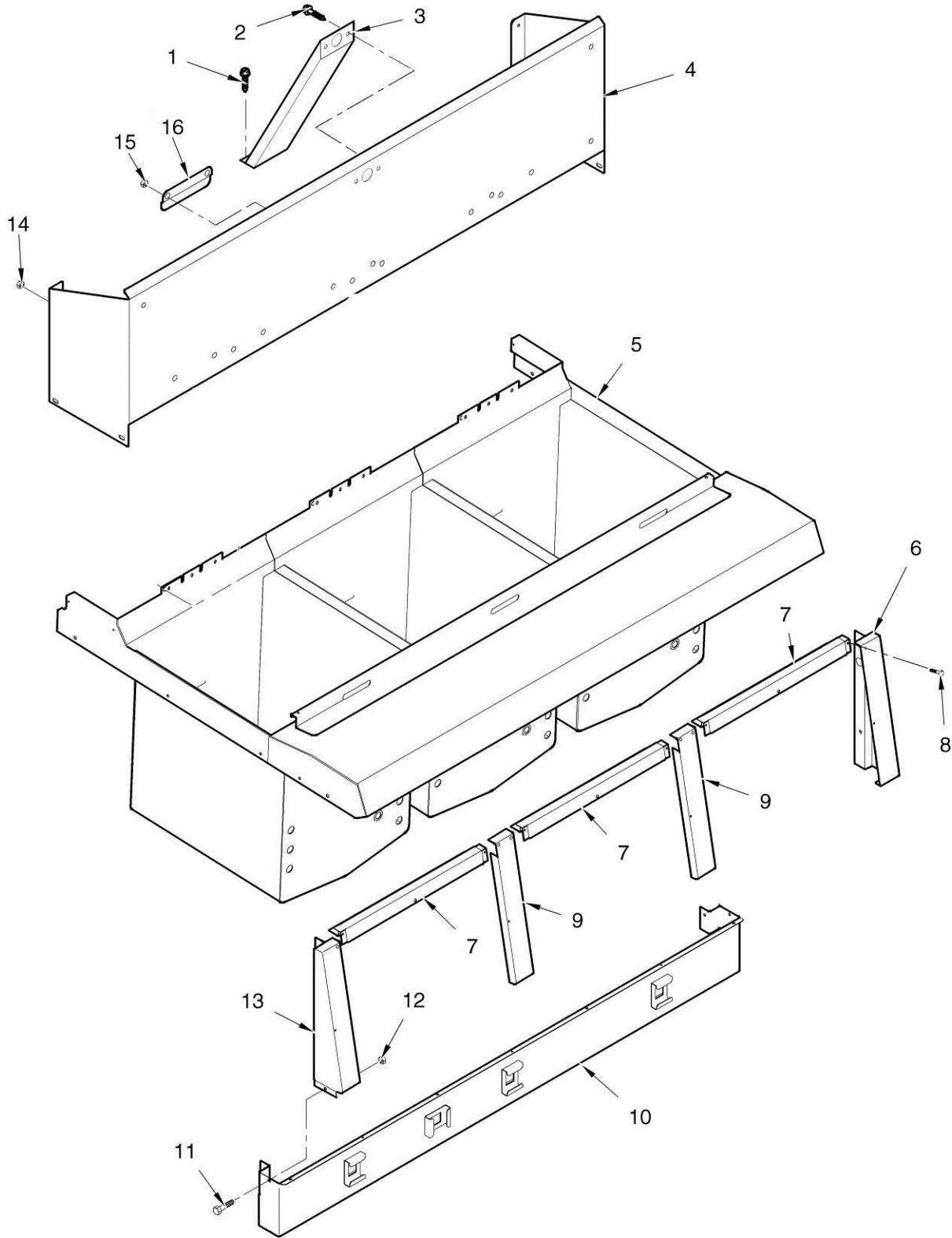


**Baskets and Return Faucet**



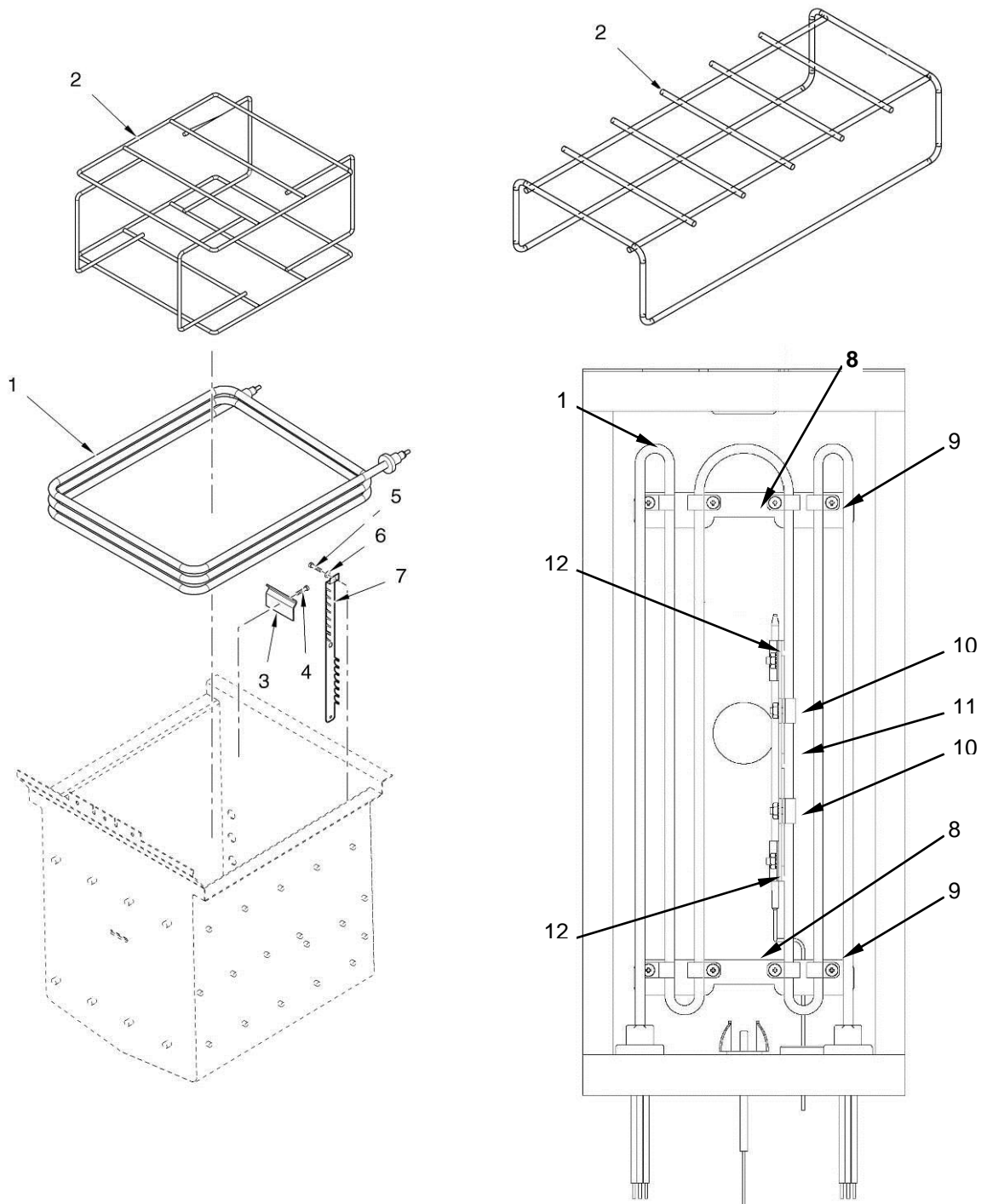
PART NO. ITEM NO.	DESCRIPTION	QTY. PER UNIT		
		321	322	323
	BASKETS AND RETURN FAUCET			
1	03629 FRYPOT COVER	1	2	3
1	03632 WELD ASSY – SPLIT POT COVER	1 PER VAT		
1	26873 FRYPOT COVER (CFA ONLY)	1	2	3
2	65466 HALF SIZE BASKET, COATED-BLACK	2	4	6
2	81814 HALF SIZE BASKET, COATED-RED	2	4	6
2	21033 HALF SIZE BASKET (CFA ONLY)	2	4	6
2	69085 HALF SIZE BASKET – F & R HOOKS	2	4	6
2	72304 BASKET – ½ SIZE REDUCED WEIGHT	2	4	6
2	59078 BASKET – 1/3 SIZE	3	6	9
2	83449 BASKET – 320 - 1/2 SIZE TIERED	2	4	6
3	60367 HIGH LIMIT GUARD	1	2	3
4	FP01-087 ELBOW, MALE, 3/8 IN.	1	1	1
5	17333 FEMALE DISCONNECT	1	1	1
6	17334 MALE DISCONNECT	1	1	1
7	70560 ASSY-11.875 RETURN OIL FAUCET-MALE 322, 323, & 324)	-	1	1
7	80065 ASSY-5.8 RETURN OIL FAUCET-MALE-321-SPLIT	1	-	-
7	78957 ASSY-8.25 DUAL RETURN OIL FAUCET-MALE-323-SPLIT	-	-	2
7	70425 ASSY-RETURN OIL FAUCET-FEMALE 322, 323, & 324)	-	1	1
7*	60611 ASSY. - RETURN LINE-UPPER - WITH 17334 (321, SN: BN022JB & BELOW)	1	-	-
8	60120 OFG FRY BASKET SUPPORT	1	2	3
8	77538 GRID - BASKET SUPPORT (RALEY'S)	-	2	-
8	78293 RACK – 32X SPLIT VAT	1 PER VAT		
9	33824 FULL SIZE FRY BASKET	1	2	3
10	32939 BASKET – WEIGHT SCREEN	2	4	6
11*	50715 3/8 X 1 1/8 IN. NIPPLE	1	1	1
12*	82321 DUMP STATION, CENTER WELL BASKET INSERT	-	-	1
13*	48629 DRIP SHIELD, FRYER/DUMP TABLE	1	1	1

\* not shown



**Shrouds and Pot & Counter Top**

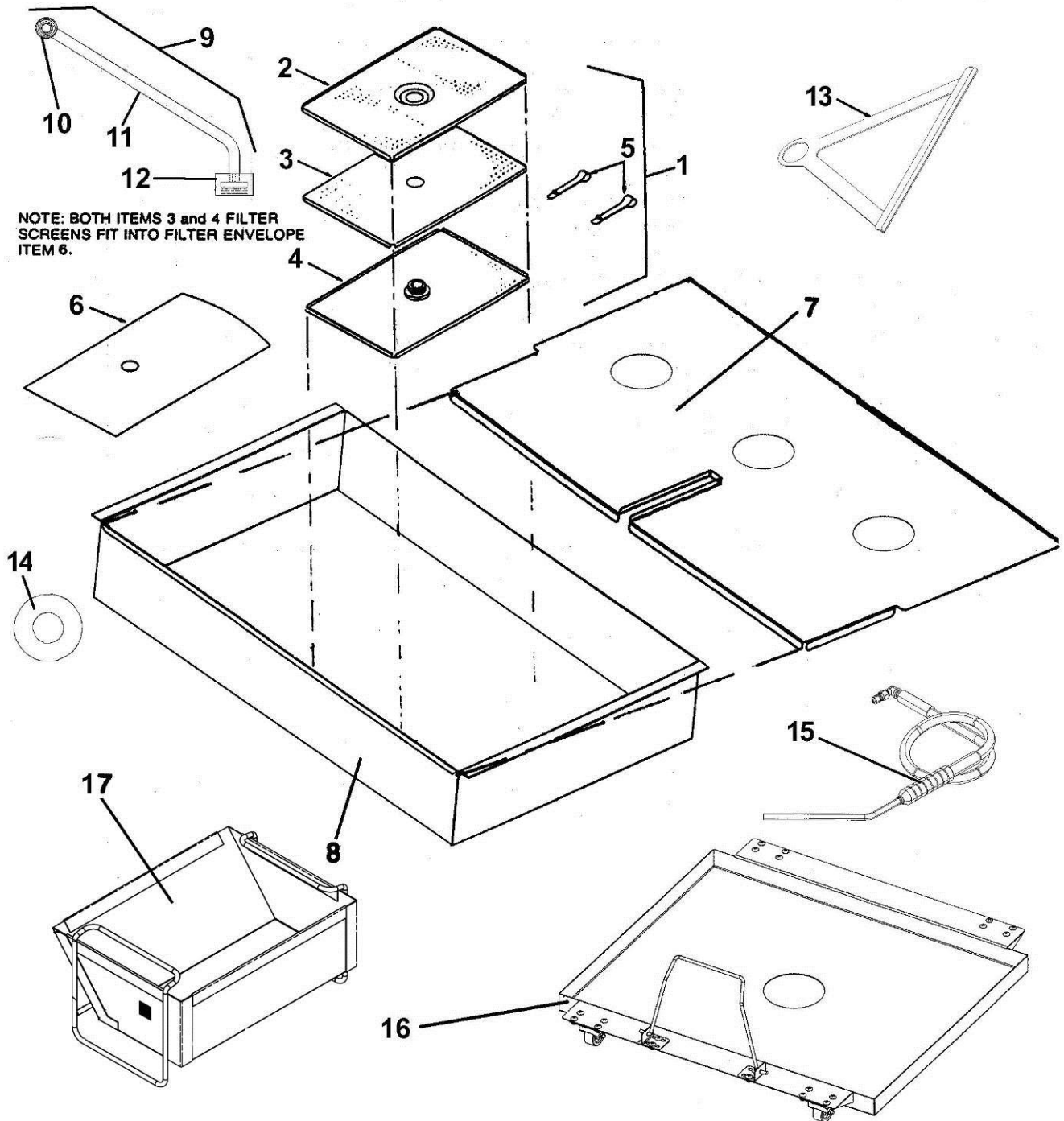
PART NO. ITEM NO.	DESCRIPTION	QTY. PER UNIT		
		321	322	323
	SHROUDS AND POT & COUNTER TOP			
1	SC03-005 SCREW, BRACKET RETAINING, BOTTOM	2	2	2
2	SC01-034 SCREW, BRACKET RETAINING, TOP	2	2	2
3	60340 BRACKET, REAR SHROUD	1	2	2
4	23808 REAR SHROUD ASSY.-321 (SN: BN022JB & BELOW)	1	-	-
4	23808 REAR SHROUD ASSY.- FULL VAT - 321 (SN: BN023JB & ABOVE)	1	-	-
4	78811 REAR SHROUD ASSY. – SPLIT VAT - 321	1	-	-
4	78430-001 REAR SHROUD ASSY. – SS - 322	-	1	-
4	78430-002 REAR SHROUD ASSY. – SF - 322	-	1	-
4	78430-003 REAR SHROUD ASSY. – FS - 322	-	1	-
4	78430-004 REAR SHROUD ASSY. - FF - 322	-	1	-
4	78742-001 REAR SHROUD ASSY. – SSS - 323	-	-	1
4	78742-002 REAR SHROUD ASSY. – SSF - 323	-	-	1
4	78742-003 REAR SHROUD ASSY. – SFS - 323	-	-	1
4	78742-004 REAR SHROUD ASSY. – SFF - 323	-	-	1
4	78742-005 REAR SHROUD ASSY. – FSS - 323	-	-	1
4	78742-006 REAR SHROUD ASSY. – FSF - 323	-	-	1
4	78742-007 REAR SHROUD ASSY. – FFS - 323	-	-	1
4	78742-008 REAR SHROUD ASSY. – FFF - 323	-	-	1
5	24797 POT & COUNTERTOP ASSY. (OFE-321)	1	-	-
5	64422 POT & COUNTERTOP ASSY. (OFE-322)	-	1	-
5	64423 POT & COUNTERTOP ASSY. (OFE-323)	-	-	1
6	60322 SHROUD CONTROL VERTICAL RH	1	1	1
7	60328 SHROUD CONTROL UPPER MIDDLE	-	2	3
8	SC04-003 SCREW	4	9	10
9	60326 SHROUD CONTROL DIVIDER	-	1	2
10	71938 BOTTOM SWITCH GUARD	1	-	-
10	69634 BOTTOM SWITCH GUARD	-	1	-
10	72109 BOTTOM SWITCH GUARD	-	-	1
10	76339 BOTTOM SWITCH GUARD – 322 – SPLIT	-	1	-
10	78270 BOTTOM SWITCH GUARD – 323 – SPLIT	-	-	1
11	SC01-034 SCREW	2	2	2
12	NS02-007 NUT	2	2	2
13	60324 SHROUD CONTROL VERTICAL LH	1	1	1
14	NS02-006 NUT, SHROUD RETAINING	4	6	8
15	NS02-006 NUT, RETAINER SECURING	-	2	-
16	33261 REAR SHROUD RETAINER	-	1	-
17*	14778 KIT – FLAT CTOP JOINING	1	1	1



**Electric Heater**

PART NO. ITEM NO.	DESCRIPTION	QTY. PER UNIT		
		321	322	323
	ELECTRIC HEATER			
√ 1	60744-3 HEATER – 230V 4800W	3	6	9
√ 1	60744-4 HEATER – 208V 4800W	3	6	9
√ 1	30292-2 HEATER – 208V 7333W	3	6	9
√ 1	60744-5 HEATER – 480V 4800W	3	6	9
√ 1	30292-1 HEATER – 480V 7333W	3	6	9
√ 1	71593-1 HEATER – 208V 7000W – SPLIT	1 PER VAT		
√ 1	71593-2 HEATER – 240V 7000W – SPLIT	1 PER VAT		
√ 1	71593-3 HEATER – 230V 7000W – SPLIT	1 PER VAT		
√ 1	71593-4 HEATER – 220-240V 7000W – SPLIT	1 PER VAT		
2	60747 OFE FRY BASKET SUPPORT	1	2	3
2	78293 RACK – 32X SPLIT VAT	1 PER VAT		
2	26917 FRY BASKET SUPPORT (CFA ONLY)	1	2	3
	67652 HIGH LIMIT BRACKET	1	2	3
3	40315 --HI LIMIT REAR CLAMP	1	2	3
3	40317 --HI LIMIT FRONT CLAMP	1	2	3
4	SC01-053 --CLAMP SCREW (#8-32 X 1/2 IN.)	1	2	3
5	SC01-055 SPREADER SCREW (#10-32 X 3/4 IN.)	10	20	30
6	LW02-005 LOCKWASHER, #10 INTERNAL	10	20	30
7	51931 SPREADER BAR ASSY.	5	10	15
8	78687 SPREADER – 32X SPLIT VAT ELEMENT	2 PER ELEMENT		
9	21978 STRAP – SPREADER - SPLIT	8 PER ELEMENT		
10	78868 STUD ASSY – HIGH LIMIT BRKT - SPLIT	2 PER ELEMENT		
11	78850 WELD ASSY–HIGH LIMIT BRKT BASE-SPLIT	1 PER ELEMENT		
12	72674 BRACKET – HIGH LIMIT - SPLIT	2 PER ELEMENT		

√ recommended parts



Drain Pan, Screen, and Cover

PART NO. ITEM NO.	DESCRIPTION	QTY. PER UNIT		
		321	322	323
	DRAIN PAN, SCREEN, & COVER			
1	17510(USE 14671) SCREEN ASSY., FILTER	1	1	1
2	65211 . CRUMB CATCHER – SS (Excludes 1-well cap. Drain pans)	1	1	1
3	17502(USE 14671) . TOP FILTER SCREEN	1	1	1
4	17503(USE 14671) . BOTTOM FILTER SCREEN (OFE-BELOW SN: BA0502001) (OFG-BELOW SN: BN0502001)	1	1	1
4	65447 . BOTTOM FILTER SCREEN–SS(OFE-SN:BA0502001 & ABOVE) (OFG-SN:BN0502001 & ABOVE)	1	1	1
4	14672 KIT –WENDY’S SS FILTER SCREEN (INCLUDES 4, 12 & 13)	1	1	1
4	14878 KIT –WENDY’S FRYER FILTER SCREEN & NUT (INCLUDES 4 &12)	1	1	1
5	17505 . FILTER ENVELOPE CLIPS	2	2	2
√ 6	12102 FILTER ENVELOPE PAPER (100 PER CARTON)	1	1	1
7	DRAIN PAN COVER – <b>SEE CHART ON NEXT PAGE</b>			
8	DRAIN PAN – <b>SEE CHART ON NEXT PAGE</b>			
9	KIT-OFX32X PICK UP TUBE– <b>SEE CHART ON PAGE 3-26</b>	1	1	1
10	69289 . UNION, FEMALE FITTING	1	1	1
11	. STANDPIPE TUBE– <b>SEE CHART ON PAGE 3-26</b>			
12	65208 . NUT, FILTER	1	1	1
13	63102 SEALER BAR FOR FILTER SCREENS(WENDY’S 322 & 323)	-	1	1
13	14783 KIT – 500 GM SEALER BAR (SN:BN0502001 & ABOVE)	1	1	1
13	14909 KIT – GM 2-PIECE FILTER SEALER (SN:BN0502000 & BELOW)	1	1	1
14	36305 WASHER – STANDPIPE (WENDY’S 321)	1	-	-
15	33494 RINSE HOSE ASSY. - 90° MALE FITTING	1	1	1
15	81919 RINSE HOSE ASSY. - 90° FEMALE FITTING	1	1	1
15	03003 RINSE HOSE ASSY. – FEMALE FITTING	1	1	1
16	ASSESSORY-DRAIN PAN DOLLY – SEE CHART ON PAGE 3-26			
17	03622 BASKET – FINE MESH CRUMB (ZAXBY’S)	1	-	-

√ recommended parts

<b>321 Drain Pans</b>			
	<b>21088</b>	<b>70344</b>	<b>81120</b>
OFG-321-SN:	BN0604042 & Below	BN0604043 to 10/6/08	10/7/08 & After
OFE-321-SN:	BA0604016 & Below	BA0604017 to BA0810007	BA0810008 & Above

<b>322 Drain Pans</b>			
<b>Full/Split Vat (2-well cap.)</b>	<b>66522</b>	<b>70345</b>	
OFG-322-SN:	BN0604031 & Below	BN0604032 & Above	
OFE-322-SN:	BA0604017 & Below	BA0604018 & Above	
<b>Full/Split-1-Well Capacity (OFE)</b>	<b>70344</b>	<b>81120</b>	
OFE-322-SN:	BA0810007 & Below	BA0810008 & Above	
<b>Full/Split-1-Well Capacity (OFG)</b>	<b>79306</b>		
OFG-322	8/1/08 & After		

<b>323 Drain Pans</b>			
<b>Full/Split Vat (3-well cap.)</b>	<b>66523</b>	<b>70346</b>	
OFG-323-SN:	BN0604017 & Below	BN0604018 & Above	
OFE-323-SN:	BA0604024 & Below	BA0604025 & Above	
<b>Full/Split-1-Well Capacity (OFE)</b>	<b>70344</b>	<b>81120</b>	
OFE-323-SN:	BA0810007 & Below	BA0810008 & Above	
<b>Full/Split-1-Well Capacity (OFG)</b>	<b>79306</b>		
OFG-323	8/1/08 & After		

<b>321 Drain Pan Covers</b>			
<b>Full Vat</b>	<b>21064</b>	<b>71597</b>	<b>81123</b>
OFG-321-SN:	BN0604042 & Below	BN0604043 to 10/6/08	10/7/2008 & After
OFE-321-SN:	BA0604016 & Below	BA0604017 to BA0810007	BA0810008 & Above
<b>Split Vat</b>	<b>78382</b>	<b>81214</b>	
OFE-321-SN:	BA0810007 & Below	BA0810008 & Above	

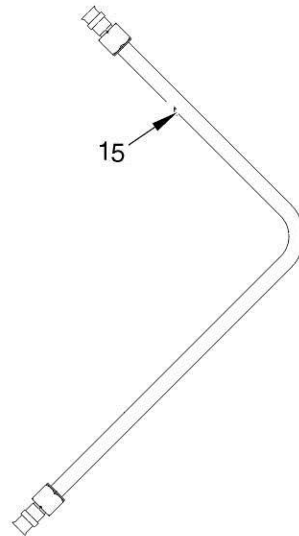
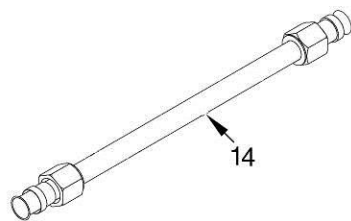
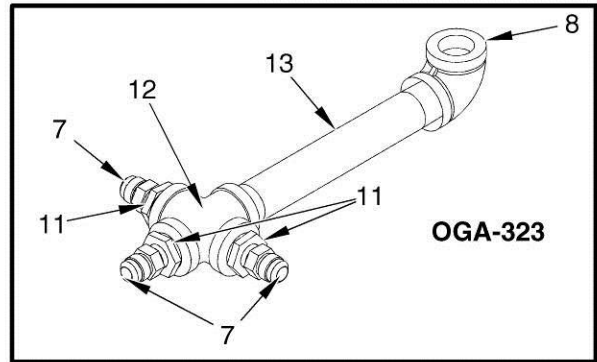
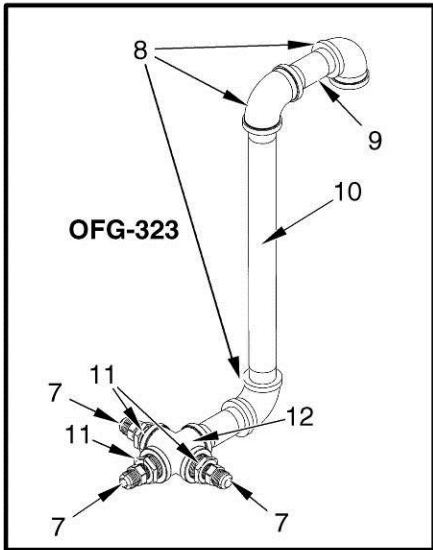
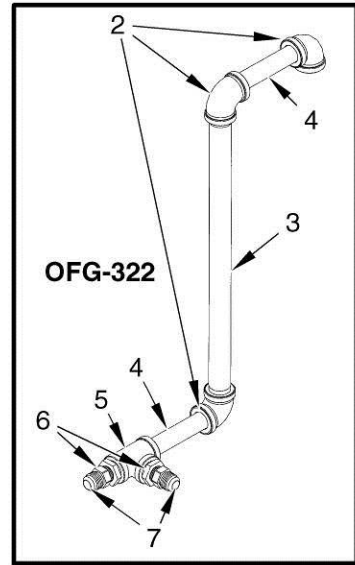
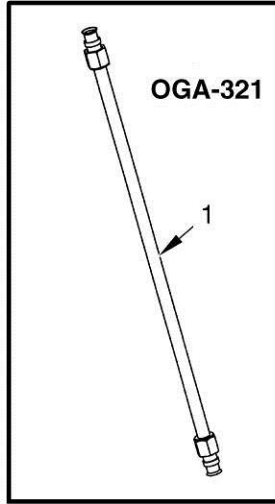
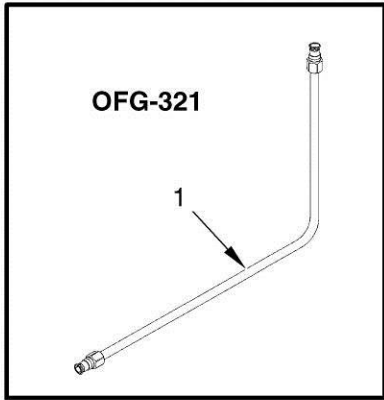
<b>322 Drain Pan Covers</b>			
<b>Full Vat-2-well Capacity</b>	<b>60460</b>	<b>24596</b>	<b>71599</b>
OFG-322-SN:	GN045JB & Below	GN046JB to BN0604031	BN0604032 & Above
OFE-322-SN:	GM024JB & Below	GM025JB to BA0604017	BA0604018 & Above
<b>Split-2-well Capacity (OFE)</b>	<b>78208</b>		
	3/17/08 & After		
<b>Full/Split-1-Well Capacity (OFE)</b>	<b>76741</b>	<b>81201</b>	
OFE-322-SN:	BA0810009 & Below	BA08100010 & Above	
<b>Full-1-Well Capacity (OFG)</b>	<b>80016</b>		
	8/1/08 & After		

<b>323 Drain Pan Covers</b>			
<b>Full Vat (3-well cap.)</b>	<b>60281</b>	<b>24597</b>	<b>71601</b>
OFG-323-SN:	GN045JB & Below	GN046JB to BN0604017	BN0604018 & Above
OFE-323-SN:	GM024JB & Below	GM025JB to BA0604024	BA0604025 & Above
<b>Split-3-well cap. - (OFE)</b>	<b>78210</b>		
	3/17/08 & After		
<b>Full/Split-1-Well Capacity (OFE)</b>	<b>76741</b>	<b>81201</b>	
OFE-322-SN:	BA0810009 & Below	BA08100010 & Above	
<b>Full-1-Well Capacity (OFG)</b>	<b>79837</b>		
	8/1/08 & After		

### Standpipes & Filter Pan Dolly

<b>Item #9-Kit Pick-Up Tube</b>	<b>14654</b>	<b>N/A</b>	<b>14654</b>	<b>N/A</b>
<b>Item #11-Standpipe Tube</b>	<b>60377</b>	<b>70360</b>	<b>60377</b>	<b>70360</b>
<b>Item #16-Filter Pan Dolly</b>	<b>03495</b>	<b>03548</b>	<b>03496</b>	<b>03549</b>
OFG-321 - SN:	BN0604042 & Below	BN0604043 & Above	-	-
OGA-321 - SN:	Below SN: BP0604001	BP0604001 & Above	-	-
OFE-321 - SN:	BA0604016 & Below	BA0604017 & Above	-	-
OEA-321 - SN:	BB0604003 & Below	BB0604004 & Above	-	-
OFG-322 - SN:	-	-	BN0604031 & Below	BN0604032 & Above
OGA-322 - SN:	-	-	BP0605005 & Below	BP0605006 & Above
OFE-322 - SN:	-	BA0810008 & Above	BA0604017 & Below	BA0604018 & Above
OEA-322 - SN:	-	BA0810008 & Above	N/A	N/A
OFG-323 - SN:	-	-	-	-
OGA-323 - SN:	-	-	-	-
OFE-323 - SN:	-	BA0810008 & Above	-	-
OEA-323 - SN:	-	BA0810008 & Above	-	-

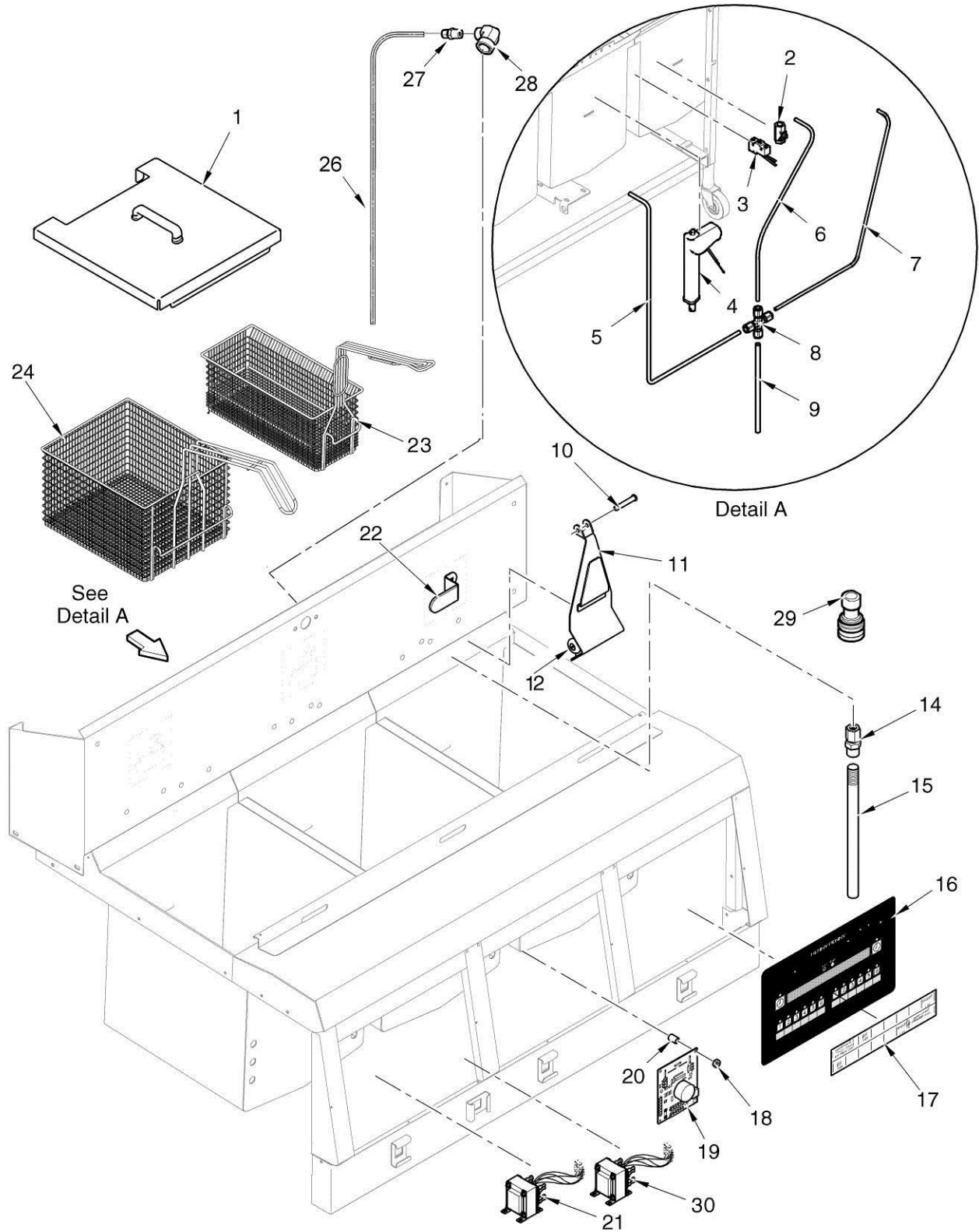
<b>Item #9-Kit Pick-Up Tube</b>	<b>14654</b>	<b>N/A</b>	<b>N/A</b>	
<b>Item #11-Standpipe Tube</b>	<b>60377</b>	<b>70360</b>	<b>70360</b>	
<b>Item #16-Filter Pan Dolly</b>	<b>03497</b>	<b>03550</b>	<b>03574 (1-well cap-Gas)</b>	
OFG-321 - SN:	-	-		
OGA-321 - SN:	-	-		
OFE-321 - SN:	-	-		
OEA-321 - SN:	-	-		
OFG-322 - SN:	-	-	8/1/08 & After	
OGA-322 - SN:	-	-	8/1/08 & After	
OFE-322 - SN:	-	-		
OEA-322 - SN:	-	-		
OFG-323 - SN:	BN0604017 & Below	BN0604018 & Above	8/1/08 & After	
OGA-323 - SN:	BP0605006 & Below	BP0605007 & Above	8/1/08 & After	
OFE-323 - SN:	BA0604024 & Below	BA0604025 & Above		
OEA-323 - SN:	N/A	N/A		



**Main Gas Lines**

PART NO. ITEM NO.	DESCRIPTION	QTY. PER UNIT		
		321	322	323
	MAIN GAS LINES			
1	60621 MAIN GAS LINE ASSY.	1	-	-
1	24772 MAIN GAS LINE ASSY.	1	-	-
2	FP01-098 ELBOW (3/4 NPT X 90 FEMALE BI)	-	3	-
3	FP02-056 NIPPLE (3/4 NPT X 17 IN. LG. BI)	-	1	-
4	FP02-022 NIPPLE (3/4 NPT X 4 IN. LG. BI)	-	2	-
5	FP01-097 TEE (3/4 NPT FEMALE PIP BI)	-	1	-
6	FP01-089 BUSHING, REDUCING (3/4M TO 1/2F BI)	-	2	-
7	16335 MALE CONNECTOR, 37 FLARE	-	2	3
8	FP01-093 ELBOW (1 IN. NPT X 90 FEMALE BI)	-	-	3 OR 1
9	FP01-094 NIPPLE (1 IN. NPT X 3 1/2 LG. BI)	-	-	2
10	FP02-031 NIPPLE (1 IN. NPT X 16 IN LG. BI)	-	-	1
10	FP02-061 NIPPLE (1 IN. NPT X 18 IN LG. BI) - CE	-	-	1
11	FP01-085 BUSHING, REDUCING (1M TO 1/2F BI)	-	-	3
12	FP01-092 CROSS TEE (1 IN. NPT FEMALE BI)	-	-	1
13	FP02-034 NIPPLE (1 IN. NPT X 9 IN. LG. BI)	-	-	1
14	45621 ASSY – MIDDLE GAS LINE	-	1	1
15	33325 ASSY – RIGHT GAS LINE – 3 WELL	-	-	2
15	33490 ASSY – RIGHT GAS LINE – 2 WELL	-	1	-
16*	FP01-200 FITTING – GAS INLET BSPT	1	1	1

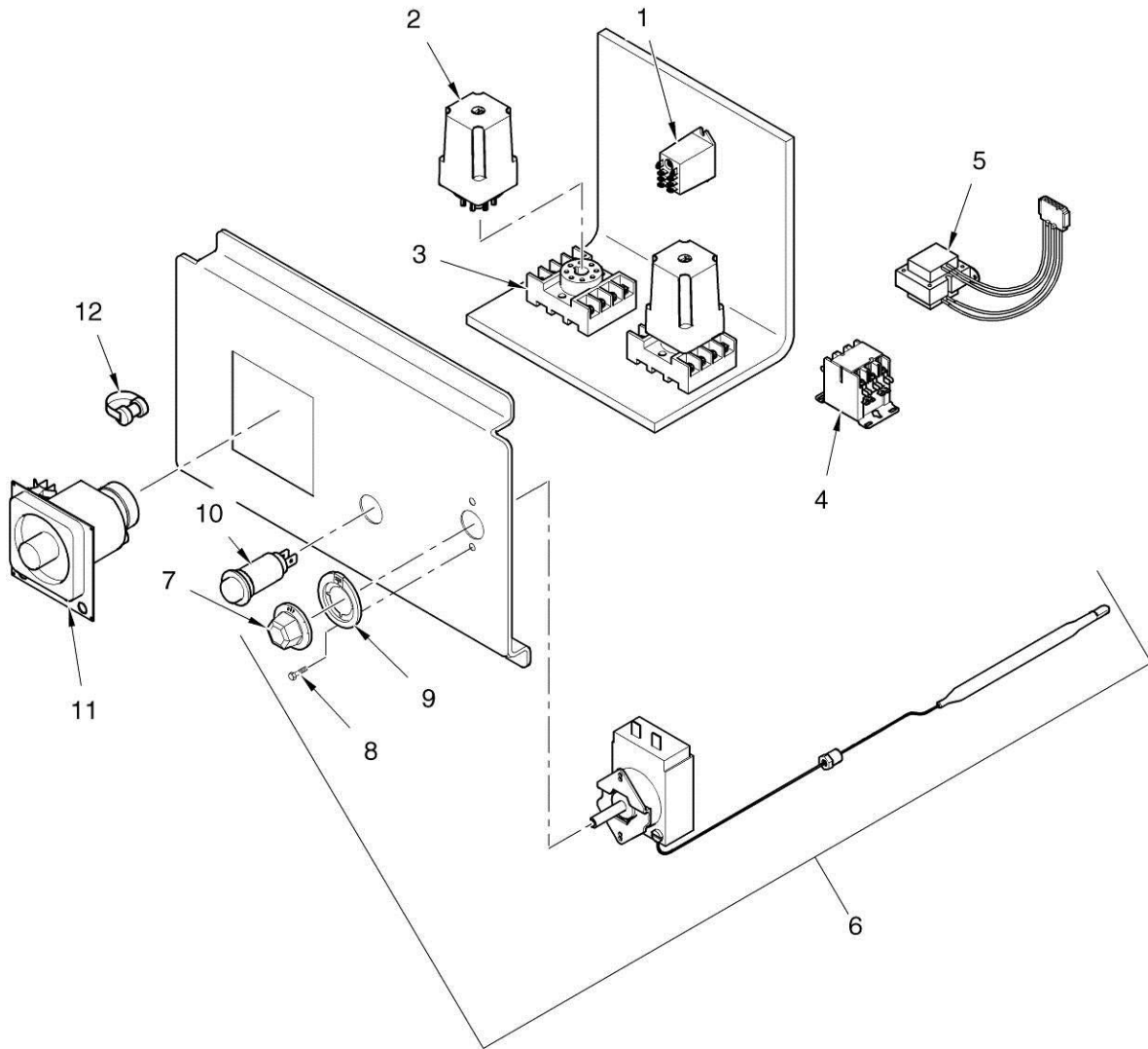
\* not shown



**Autolift Feature**

PART NO. ITEM NO.	DESCRIPTION	QTY. PER UNIT		
		321	322	323
	AUTOLIFT FEATURE			
1	50814 FRYPOT COVER, AUTOLIFT	1	2	3
2	50750 FILTER VALVE, OIL RETURN	1	1	1
√ 3	50764 MICROSWITCH, RIGID LEVER	1	2	3
√ 4	50716 ACTUATOR, AUTOLIFT, 24V MOTOR (SN: EN040JB & BELOW)	2	4	6
√ 4	63602 ACTUATOR, AUTOLIFT, 24V MOTOR (SN: EN041JB UP TO BP0812001)	2	4	6
√ 4	80091 ACTUATOR, AUTOLIFT, 24V MOTOR (SN: BP0812001 & ABOVE)	2	4	6
5	50784 TUBE, UNION TO WELL 3, FILTER SYSTEM	-	-	1
6	50780 TUBE, UNION TO WELL 2, FILTER SYSTEM	-	1	-
6	50783 TUBE, UNION TO WELL 2, FILTER SYSTEM	-	-	1
7	50779 TUBE, UNION TO WELL 1, FILTER SYSTEM	-	1	-
7	50782 TUBE, UNION TO WELL 1, FILTER SYSTEM	-	-	1
8	FP01-129 UNION, TEE, 3/8 IN. TUBE SS, FILTER SYSTEM	-	1	-
8	FP01-130 UNION, CROSS	-	-	1
9	50778 TUBE, PUMP TO UNION, FILTER SYSTEM	-	1	-
9	50781 TUBE, PUMP TO UNION, FILTER SYSTEM	-	-	1
10	50776 PIN, ACTUATOR CLEVIS	2	4	6
11	50719 BASKET HANGER ASSY. (SN: EN040JB & BELOW)	2	4	6
11	50865 BASKET HANGER ASSY. (SN: EN041JB & ABOVE)	2	4	6
12	31421 ...BEARING WITH SCREW	4	8	12
13	NS03-023* ...NUT, 1/4-20 ACORN CAP	4	8	12
14	FP01-128 CONNECTOR (3/8 IN. TUBE TO 3/8 IN. NPT SS), FILTER SYSTEM	-	1	1
15	50785 TUBE, OIL RETURN, LONG, FILTER SYSTEM	-	1	1
15	60611 RETURN FAUCET ASSY. (WITH 17334 DISCONNECT)	1	1	2
√ 16	60796RB GM 12 BUTTON CONTROL	1	2	3
17	61562 MENU CARD, AUTOLIFT	2	4	6
18	NS02-005 NUT	4	8	12
19	50290 BASKET LIFT PCB ASSY.	1	2	3
20	ME50-024 SPACER	4	8	12
√ 21	31159 TRANSFORMER ASSY. (120V)	1	2	3
√ 21	31160 TRANSFORMER ASSY. (240V)	1	2	3
√ 21	30614 TRANSFORMER (208/240V-PRI, 24V-SEC.) (ELECT.)	1	2	3
22	59721 RETURN VALVE HANDLE	-	2	3
23	50704 1/2 SIZE BASKET	2	4	6
24	50703 FULL SIZE BASKET	1	2	3
25*	50786 TUBE, 2.00 NIPPLE, FILTER SYSTEM	-	1	1
26	60293 TUBE, OIL RETURN LINE	1	-	-
27	FP01-082 CONNECTOR (3/8 TUBE TO 1/2 NPT SS)	1	-	-
28	FP01-087 ELBOW	1	1	1
29	17333 DISCONNECT – FEMALE	1	1	1
30	TS22-012 TRANSFORMER – AUTOLIFT	1	2	3
31*	50765 LEVER-ACTUATOR, MICROSWITCH	1	2	3

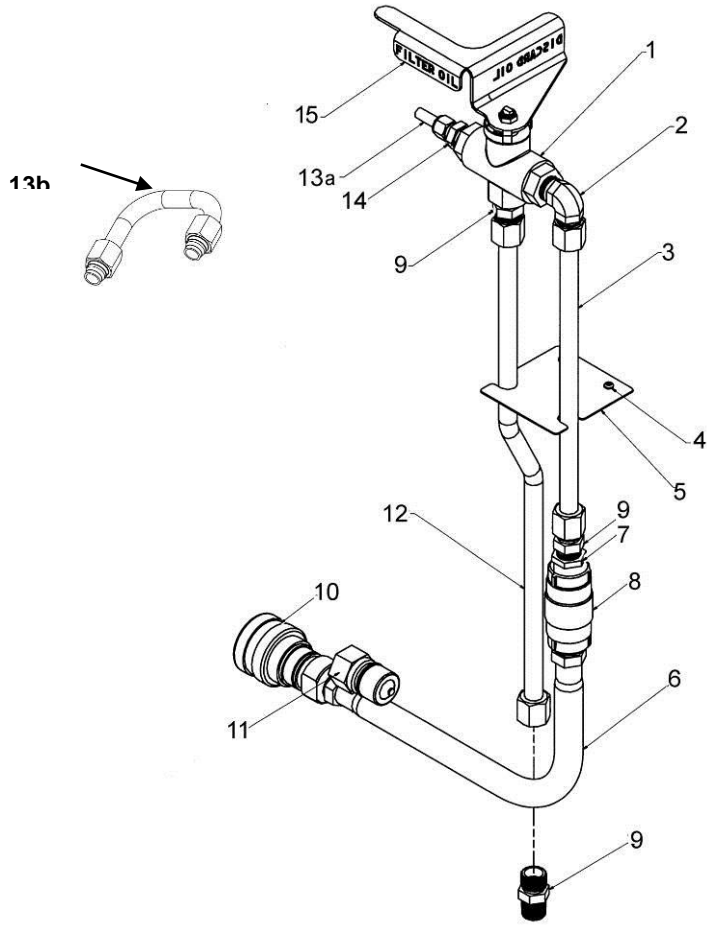
√ recommended parts/\*not shown



**Electro-Mechanical Controls**

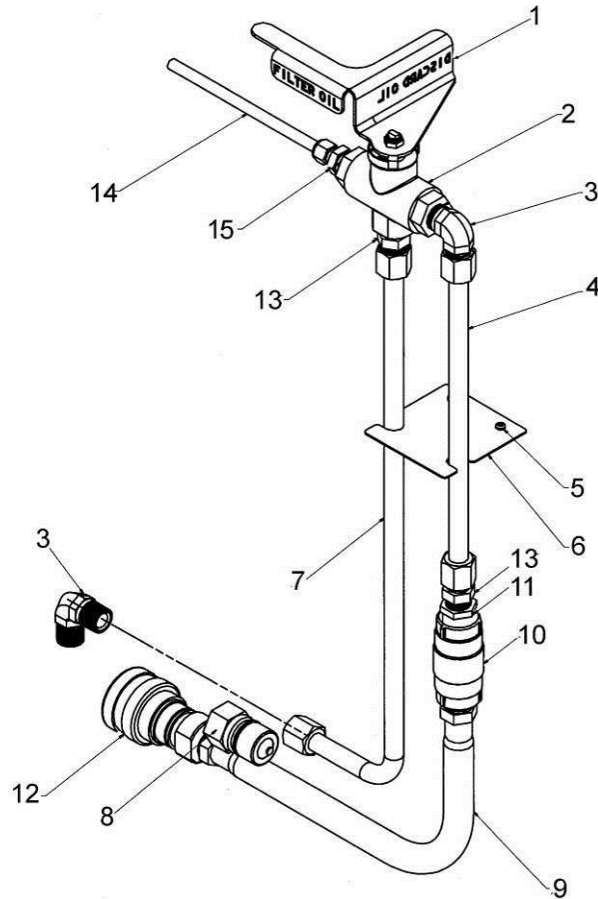
ITEM NO.	PART NO.	DESCRIPTION	QTY. PER UNIT		
			321	322	323
ELECTRO-MECANICAL CONTROLS					
√ 1	60818	AC COIL RELAY (24V)	1	2	3
√ 2	60817	ADJUSTABLE TIME DELAY RELAY	2	4	6
√ 3	60816	ADJUSTABLE TIME DELAY RELAY BASE	2	4	6
√ 4	65098	HEAT CONTACTOR (ELEC. ONLY) (CE)	2	4	6
√ 4	29509	24V PRIMARY CONTACTOR (NON-CE)	1	2	3
√ 4	29510	HEAT CONTACTOR-MERCURY (NON-CE)	1	2	3
√ 5	35916	TRANSFORMER (120V TO 24V) (GAS)	1	2	3
√ 5	60536	TRANSFORMER (24V/230V) (ELECTRIC)	1	2	3
√ 6	14851	THERMOSTAT KIT	1	2	3
	7	. KNOB	1	2	3
	8	. BEZEL	1	2	3
	9	. SCREW	2	4	6
√ 10	60792	INDICATOR LIGHT (24V)	1	2	3
√ 11	60765	DUAL FACE TIMER	1	2	3
√ 12	65567	TIMER BUZZER ASSY.	1	2	3
√ 13*	60785	DECAL – E/M – CONTROL	1	2	3

√ recommended parts



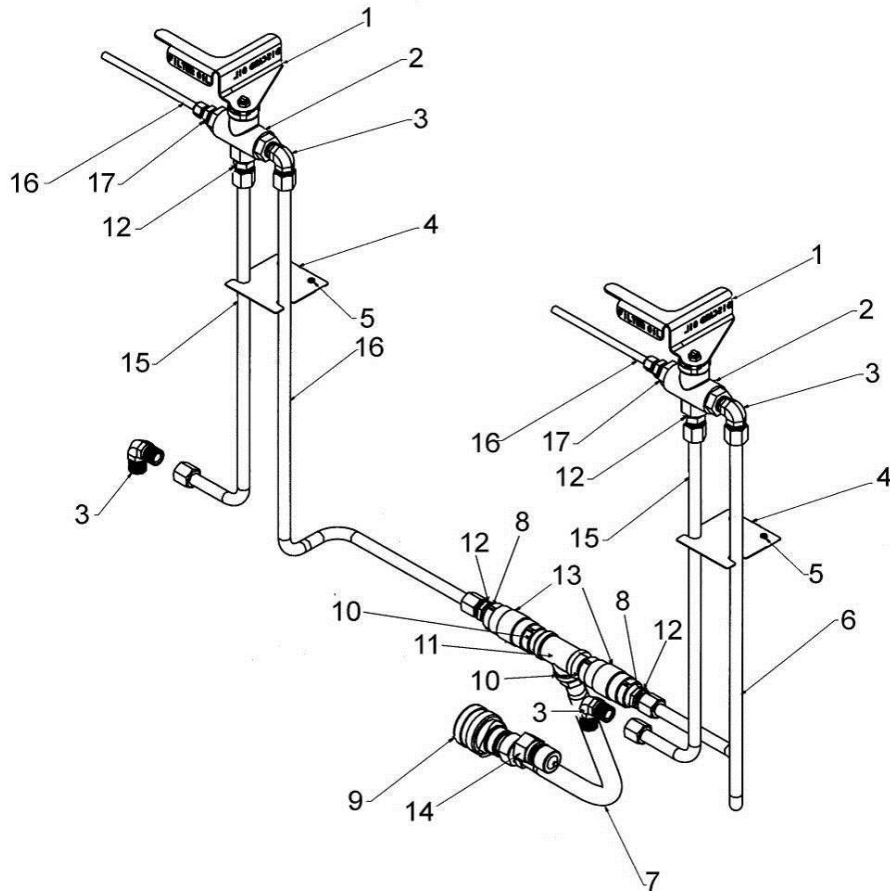
**OFX-323 Optional Direct-Connect Parts**

ITEM NO.	PART NO.	DESCRIPTION	QTY. PER UNIT
	14857	KIT – DIRECT-CONNECT OFX-323 (12/1/06 & AFTER)	1
	14368	KIT – DIRECT-CONNECT OFX-323 (BEFORE 12/1/06)	1
1	21613	VALVE - DIVERTER	1
2	17407	CONNECTOR – ½ MALE ELBOW	1
3	24692	ASSY. – D.C. OFX-32X DISCARD TUBE	1
4	SC03-005	SCREW – SD #8 X ½ PH PHD	2
5	21509	BRACKET - TUBE	1
6	24695	ASSY. – D.C. OFX-323 & 322 HOSE	1
6	21753	. HOSE – SHORTENING DISCARD	1
7	FP01-089	. BUSHING-REDUCING 3/4M TO 1/2F BL	1
8	21800	. VALVE – ¾ CHECK	1
9	16807	. FITTING – CONNECTOR – MALE	3
10	21612	. DISCONNECT – FEMALE	1
11	21611	DISCONNECT – MALE	1
12	24922	ASSY. – D.C. OFX-323 FILTER TUBE	1
13b	73191	ASSY. – D.C. OFX-323 RETURN TUBE (12/1/06 & AFTER)	1
13a	24923	ASSY. – D.C. OFX-323 RETURN TUBE (BEFORE 12/1/06)	1
13a	24889	. TUBE-D.C. OFX-32X RETURN	1
14	FP01-082	. CONNECTOR – 3/8 TUBE TO ½ NPT SS	1
15	21439	HANDLE – DIVERTER VALVE	1



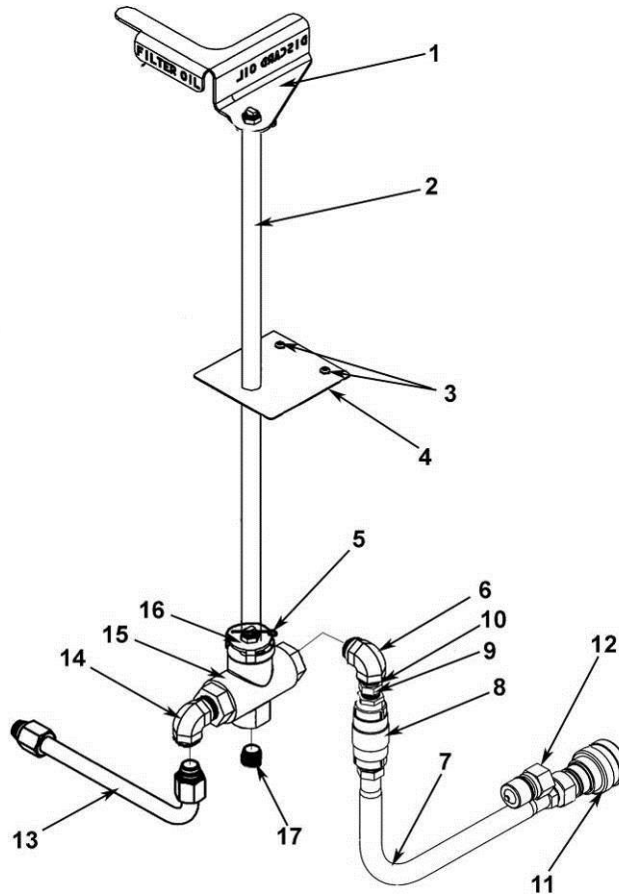
**OFX-322 Optional Direct-Connect Parts**

ITEM NO.	PART NO.	DESCRIPTION	QTY. PER UNIT
	14858	KIT – DIRECT-CONNECT OFX-322 (12/1/06 & AFTER)	1
	14367	KIT – DIRECT-CONNECT OFX-322 (BEFORE 12/1/06)	1
1	21439	HANDLE – DIVERTER VALVE	1
2	21613	VALVE - DIVERTER	1
3	17407	CONNECTOR – ½ MALE ELBOW	2
4	24692	ASSY. – D.C. OFX-32X DISCARD TUBE	1
5	SC03-005	SCREW – SD #8 X ½ PH PHD	2
6	21509	BRACKET - TUBE	1
7	24691	ASSY. – D.C. OFX-322 & 324 FILTER TUBE	1
8	21611	DISCONNECT – MALE	1
9	24695	ASSY. – D.C. OFX-323 & 322 HOSE	1
9	21753	. HOSE – SHORTENING DISCARD	1
10	21800	. VALVE – ¾ CHECK	1
11	FP01-089	. BUSHING-REDUCING 3/4M TO 1/2F BL	1
12	21612	. DISCONNECT – FEMALE	1
13	16807	. FITTING – CONNECTOR – MALE	2
14	73243	ASSY. – D.C. OFX-322 & 324 RETURN TUBE(12/1/06 & after)	1
14	24694	ASSY. – D.C. OFX-322 & 324 RETURN TUBE (Before 12/1/06)	1
14	21739	. TUBE-D.C. OFX-32X RETURN	1
15	FP01-082	. CONNECTOR – 3/8 TUBE TO ½ NPT SS	1



**OFX-324 Optional Direct Connect Parts**

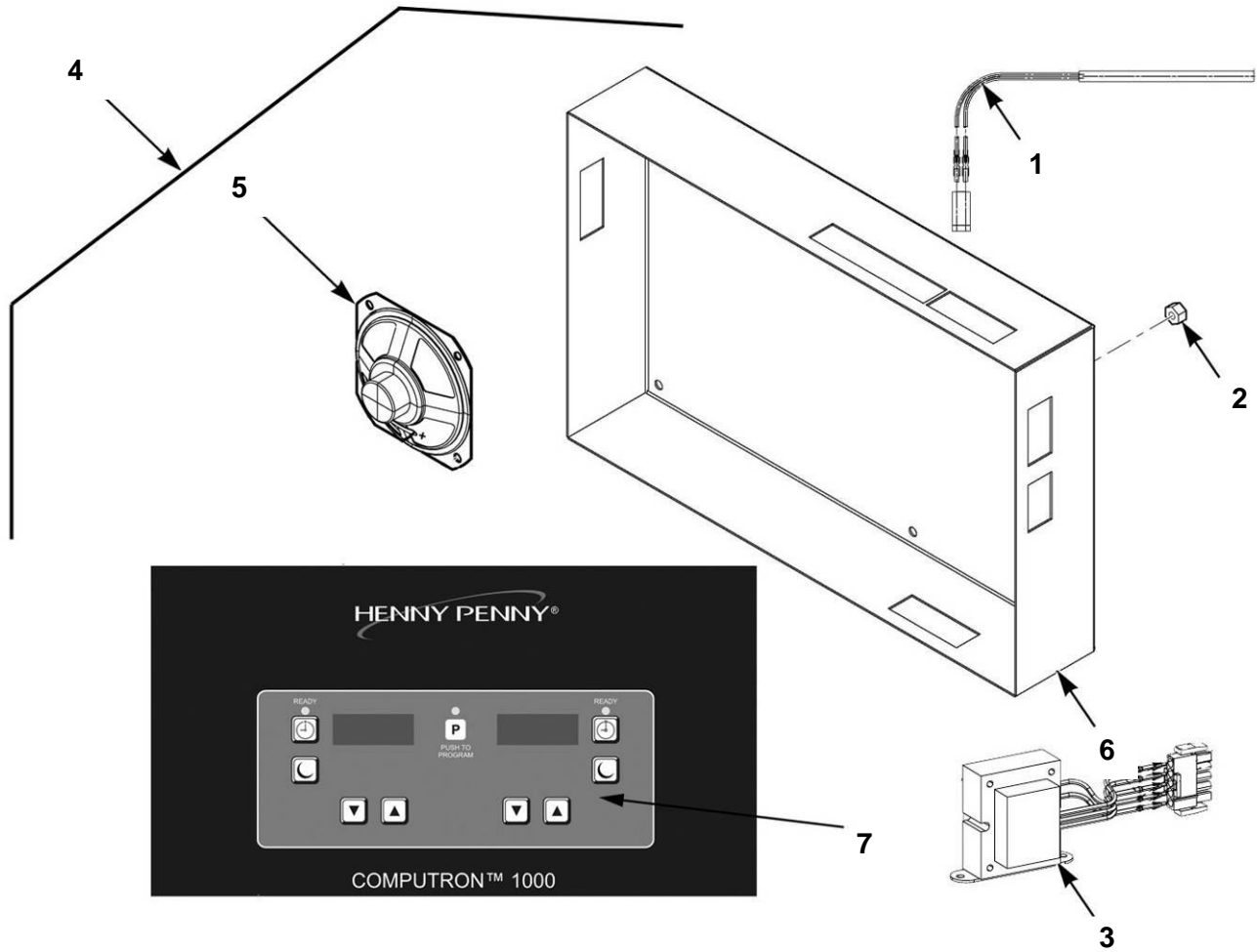
ITEM NO.	PART NO.	DESCRIPTION	QTY. PER UNIT
	14859	KIT – DIRECT-CONNECT OFX-324 (12/1/06 & AFTER)	1
	14364	KIT – DIRECT-CONNECT OFX-324 (BEFORE 12/1/06)	1
1	21439	HANDLE – DIVERTER VALVE	2
2	21613	VALVE - DIVERTER	2
3	17407	CONNECTOR – ½ MALE ELBOW	4
4	21509	BRACKET - TUBE	2
5	SC03-005	SCREW – SD #8 X ½ PH PHD	4
6	24713	ASSY. – D.C. OFX-324 DISCARD – LH TUBE	1
6	24714	ASSY. – D.C. OFX-324 DISCARD – RH TUBE	1
7	24715	ASSY. – D.C. OFX-324 HOSE	1
7	21753	. HOSE – SHORTENING DISCARD	1
8	FP01-089	. BUSHING-REDUCING 3/4M TO 1/2F BI	2
9	21612	. DISCONNECT – FEMALE	1
10	16282	. NIPPLE – ¾ X CLOSE	2
11	FP01-097	. TEE-3/4 NPT FEMALE PIPE BI	1
12	16807	. FITTING – CONNECTOR – MALE	4
13	21800	. VALVE – ¾ CHECK	2
14	21611	DISCONNECT – MALE	1
15	24691	ASSY. – D.C. OFX-322 & 324 FILTER TUBE	1
16	73254	ASSY. – D.C. OFX-322 & 324 RETURN TUBE(12/1/06 & after)	1
16	24694	ASSY. – D.C. OFX-322 & 324 RETURN TUBE (Before 12/1/06)	1
16	21739	. TUBE-D.C. OFX-32X RETURN	1
17	FP01-082	. Connector – 3/8 tube to ½ NPT SS	1



**OFX-321 Optional Direct Connect Parts**

ITEM NO.	PART NO.	DESCRIPTION	QTY. PER UNIT
	14625	KIT – DIRECT-CONNECT – OFX-321	1
1	21439	HANDLE – DIVERTER VALVE	1
2	67493	ROD – D/C EXTENSION	1
3	SC03-005	SCREW – SD #8 X ½ PH PHD	2
4	67671	BRACKET – EXTENSION ROD	1
5	PN01-001	PIN – COTTER – 3/32 X 1-1/4 S	1
6	FP01-088	ELBOW – STREET – ½ X 90 BL IRON	1
7	67662	ASSY. – DIRECT-CONNECT HOSE - 321	1
7	21753	. HOSE – SHORTENING DISCARD	1
8	21800	. VALVE – ¾ CHECK	1
9	FP01-089	. BUSHING-REDUCING 3/4M TO 1/2F BI	1
10	FP01-023	. NIPPLE – 1/2 INCH CLOSE BLACK	1
11	21612	. DISCONNECT – FEMALE	1
12	21611	DISCONNECT – MALE	1
13	67672	ASSY – TUBE POT TO PUMP – OFG-321	1
13	67674	ASSY – TUBE POT TO PUMP – OFE-321	1
14	17407	CONNECTOR – ½ MALE ELBOW	1
15	21613	VALVE - DIVERTER	1
16	67492	STOP – D/C EXTENSION ROD	1
17	FP01-023	NIPPLE – 1/2 INCH CLOSE BLACK	1
18*	FP01-015	PLUG – PIPE	1

\*not shown



**Computron 1000 Parts**

PART NO. ITEM NO.	DESCRIPTION	QTY. PER CONTROL
	COMPUTRON 1000 CONTROL PANEL	
	KIT-OFG32X E/M TO C1000 RETROFIT	1
	KIT-OFE32X E/M TO C1000 RETROFIT	1
	KIT-OFE32X C1000 TO C8000 FULL	1
	KIT-OFE30X C1000 TO C8000 SPLIT	1
	KIT-OFG32X C1000 TO C8000 FULL	1
√ 1	14990 KIT - C1000 FULL PROBE	1
√ 1	14991 KIT - C1000 SPLIT PROBE	1
2	NS02-005 NUT - HEX KEPS - #6-32 C	11
√ 3	60536 ASSY - TRANSFORMER - 24V/230V	1
√ 3	60207 ASSY - TRANSFORMER - 24V/120V	1
√ 4	14949 ASSY - CONTROL - C1000	1
√ 5	ME70-005 SPEAKER - 16 OHM - 2 INCH	1
6	77648 COVER - PCB	1
7	76817 DECAL - C1000 - CONTROL - GM	1
√ 8*	MS01-571 TOOL - EXTRACTOR (PROBE)	1
9*	79209 HARN-OFG 15 PIN FRYER CONN	A/R

\*not shown