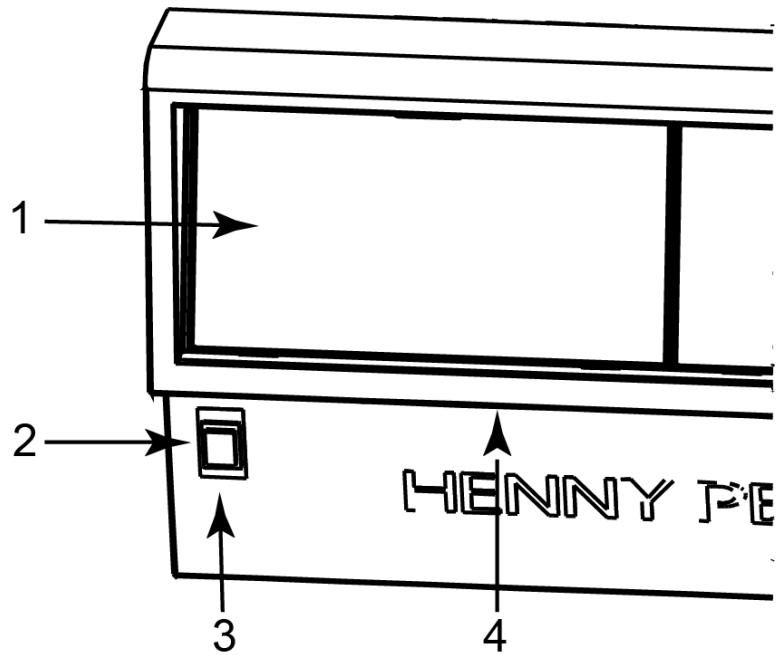




For the most up-to-date parts information, visit
<https://parts.hennypennyhelp.com>.

Control Panel



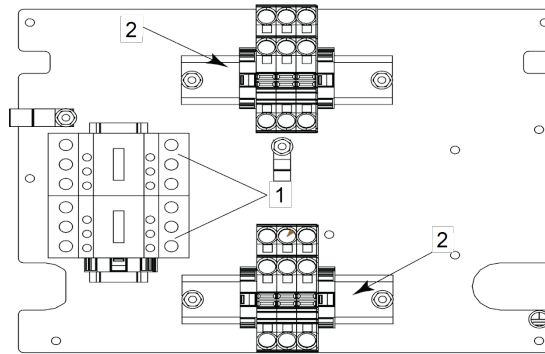
Item No.	Part No.	Description	Qty.	Stocking Level
1	180712	Service Pack - Control Panel Assembly	A/R	B
1*	ME70-008	- Speaker	1	A
2	52224	Covered power switch	1	A
3	81837	Power switch decal	1	
4	180711	USB port service pack	A/R	
5*	161861	Behind control seal, top	A/R	
6*	163093	Behind control seal, left/right	A/R	
Recommended Parts: A = Truck Stock; B = Dist. Stock * = Not Shown				



For the most up-to-date parts information, visit
<https://parts.hennypennyhelp.com>.

Contactors and Power Cord

Contactors and Terminal Blocks - Full Vat, 3+G, 14 kW Heating Element



Full Vat, 3+G, 14 kW Heating Element

Note:

- 3+G = 3 phase and ground wires
- Contactor terminal screw torque: Line VAC power circuit, 22 lbf-in (2.5 N-m)
- Contactor terminal screw torque: 24 VDC control circuit, 15 lbf-in (1.7 N-m)

Contactors and Terminal Blocks - Full Vat, 3+G, 17 kW Heating Element

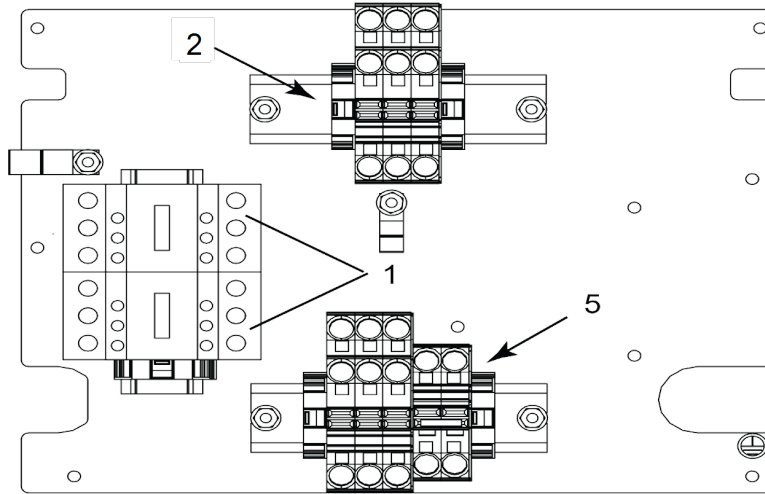
Note:

- 3+G = 3 phase and ground wires
- Contactor terminal screw torque: Line VAC power circuit, 22 lbf-in (2.5 N-m)
- Contactor terminal screw torque: 24 VDC control circuit, 15 lbf-in (1.7 N-m)



For the most up-to-date parts information, visit
<https://parts.hennypennyhelp.com>.

Contactors and Terminal Blocks - Full Vat, 3NG, 14 kW/17 kW Heating Element

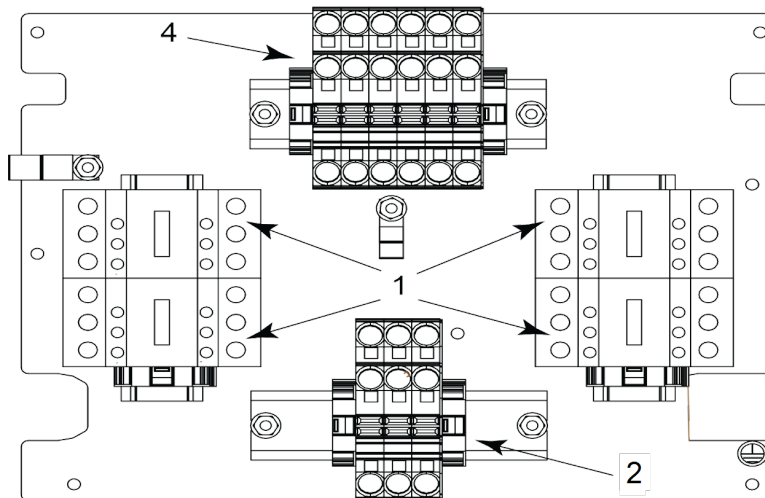


Full Vat, 3NG, 14 kW/17 kW Heating Element

Note:

- 3NG = 3 phase, neutral, and ground wires
- Contactor terminal screw torque: Line VAC power circuit, 22 lbf-in (2.5 N-m)
- Contactor terminal screw torque: 24 VDC control circuit, 15 lbf-in (1.7 N-m)

Contactors and Terminal Blocks - Split Vat, 3+G, 7 kW/8.5 kW Heating Element



Split Vat, 3+G, 7 kW/8.5 kW Heating Element

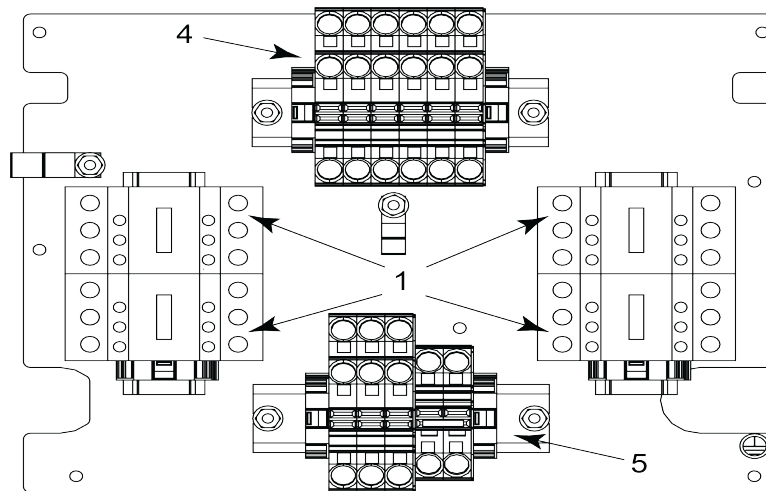


For the most up-to-date parts information, visit
<https://parts.hennypennyhelp.com>.

Note:

- 3+G = 3 phase and ground wires
- Contactor terminal screw torque: Line VAC power circuit, 22 lbf-in (2.5 N-m)
- Contactor terminal screw torque: 24 VDC control circuit, 15 lbf-in (1.7 N-m)

Contactors and Terminal Blocks - Split Vat, 3NG, 7kW/8.5kW Heating Element



Split Vat, 3NG, 7 kW/8.5W Heating Element

Note:

- 3NG = 3 phase, neutral, and ground wires
- Contactor terminal screw torque: Line VAC power circuit, 22 lbf-in (2.5 N-m)
- Contactor terminal screw torque: 24 VDC control circuit, 15 lbf-in (1.7 N-m)

Item No.	Part No.	Description	Qty.	Stocking Level
1	175375	Contactor, 24 VDC	A/R	A
2	175681	Terminal block assembly-3, 3 pole	A/R	
4	175679	Terminal block assembly-6, 3 pole	A/R	



For the most up-to-date parts information, visit
<https://parts.hennypennyhelp.com>.

Item No.	Part No.	Description	Qty.	Stocking Level
5	175682	Terminal block assembly-3, 3 pole, -2, 2 pole	A/R	
Recommended Parts: A = Truck Stock; B = Dist. Stock * = Not Shown A/R = As Required				

Power Cord Assemblies

Item No.	Part No.	Description	Qty.	Stocking Level
1*	164521-001	Power cord assembly, right angle plug, 208/240 VAC, 50 A, 3+G, N. America	A/R	
1*	164521-002	Power cord assembly, right angle plug, 208/240 VAC, 60 A, 3+G, N. America	A/R	
1*	164520-001	Power cord assembly, straight plug, 208/240 VAC, 50 A, 3+G, N. America	A/R	
1*	164520-002	Power cord assembly, straight plug, 208/240 VAC, 60 A, 3+G, N. America	A/R	
1*	168890-001	Power cord assembly, pin and sleeve, 3NG, CE		
1*	168890-002	Power cord assembly, straight plug, 3NG, Hong Kong / Singapore		
1*	179978	Power cord assembly, straight plug, ground clamp, 3NG, AU	A/R	



For the most up-to-date parts information, visit
<https://parts.hennypennyhelp.com>.

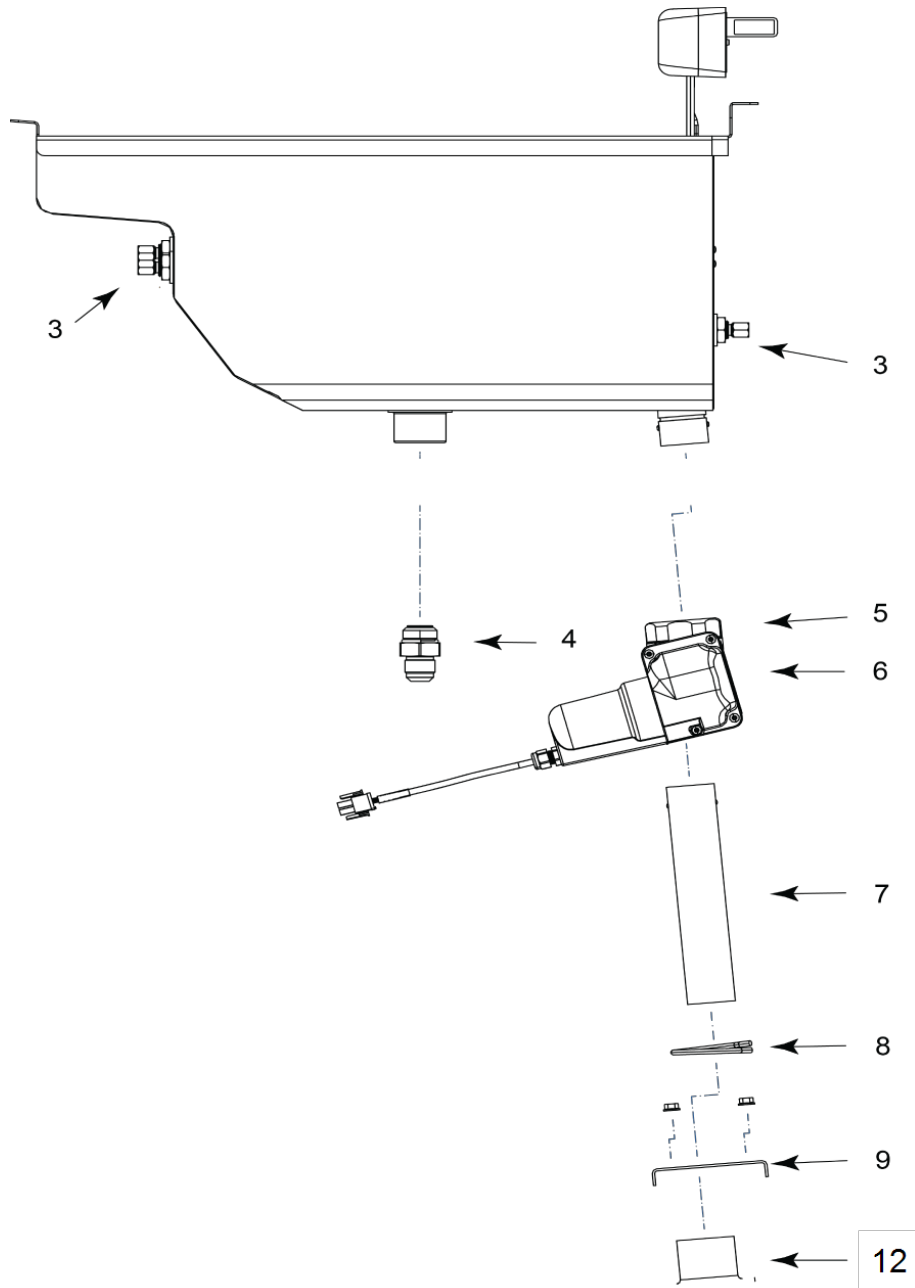
Item No.	Part No.	Description	Qty.	Stocking Level
1*	179980	Power cord assembly, straight plug, ground clamp, 3NG, NZ	A/R	
<p>Recommended Parts: A = Truck Stock; B = Dist. Stock * = Not Shown A/R = As Required</p>				



For the most up-to-date parts information, visit
<https://parts.hennypennyhelp.com>.

Full Vat Components and Heating Elements

Exterior Components





For the most up-to-date parts information, visit
<https://parts.hennypennyhelp.com>.

Item No.	Part No.	Description	Qty.	Stocking Level
1*	140712	Full vat replacement kit	1	
2.1*	140714	Temperature probe kit, 2 in. (rear vat)	1	A
2.2*	140637	Level probe kit, 2-1/2 in. (front vat)	2	A
3	185034	- Compression fitting, 3/16 in.	3	
4	159820	Check valve fitting	1	A
5	140244	Drain valve kit, without motor	1	B
5*	84415	- Drain valve O-ring only	2	
6	86157	Drain valve motor only	1	B
7	95704-007	Drain tube	1	
8	MS01-315	Trough gasket clamp	1	
9	161216	Trough cover plate	1	



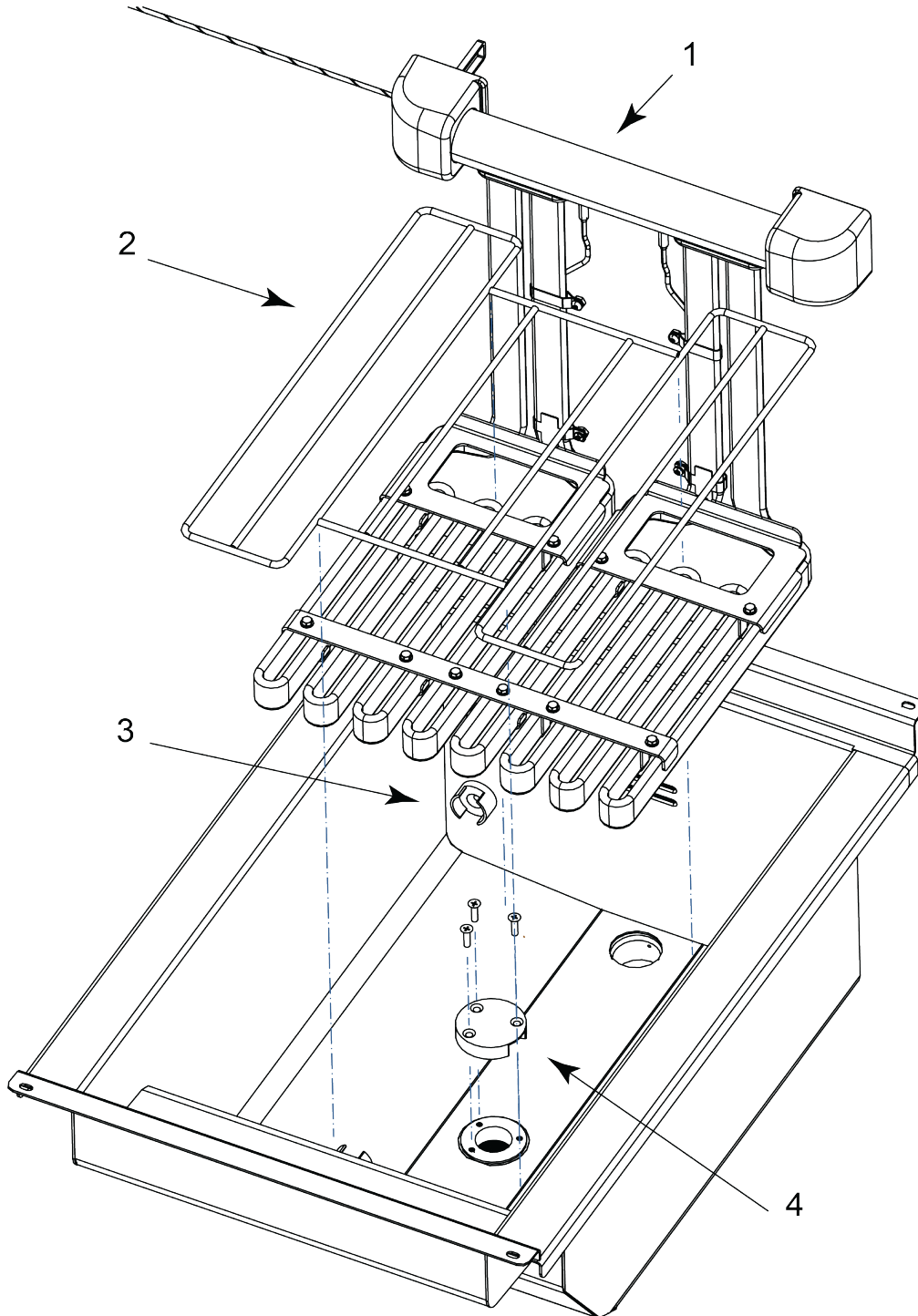
For the most up-to-date parts information, visit
<https://parts.hennypennyhelp.com>.

Item No.	Part No.	Description	Qty.	Stocking Level
10*	NS04-004	Trough cover plate flanged locknut	4	
11*	161771	Trough cover plate gasket	1	
12	172936-001	Full vat trough gasket service pack	1	
13.1*	172933	1 Vat drain trough service pack	1	
13.2*	172932	2 Vat drain trough service pack	1	
13.3*	172931	3 Vat drain trough service pack	1	
13.4*	172930	4 Vat drain trough service pack	1	
<p>Recommended Parts: A = Truck Stock; B = Dist. Stock * = Not Shown</p>				



For the most up-to-date parts information, visit
<https://parts.hennypennyhelp.com>.

Interior Components





For the most up-to-date parts information, visit
<https://parts.hennypennyhelp.com>.

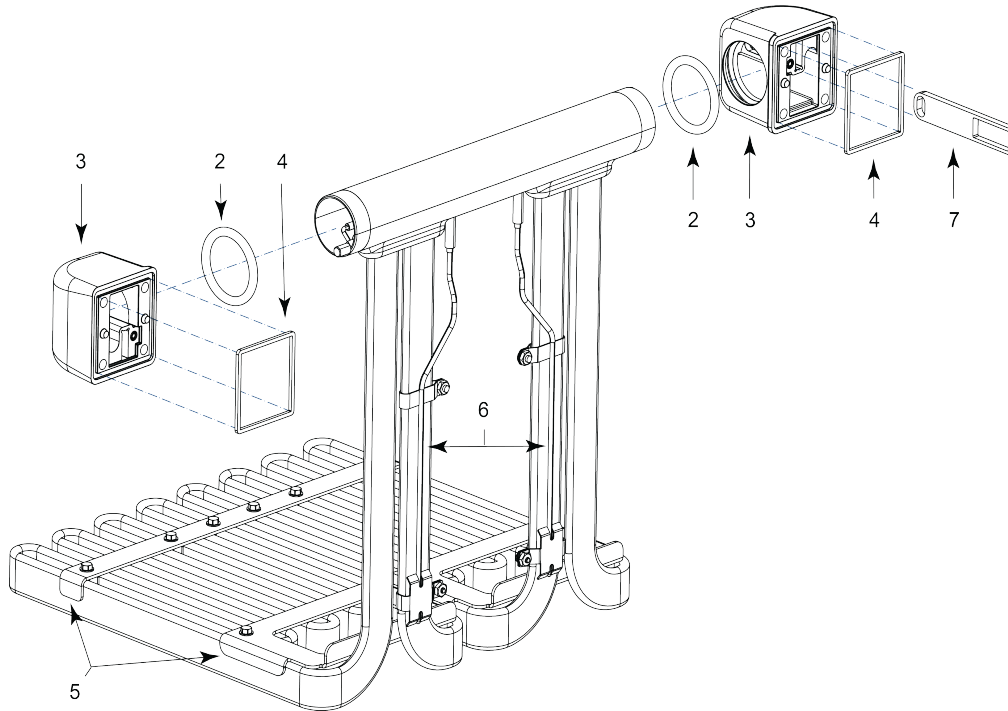
Item No.	Part No.	Description	Qty.	Stocking Level
1	180681-001	Full vat heating element service pack, 14 kW, 208 VAC, 3 Wire, 3+G	1	B
1	180681-002	Full vat heating element service pack, 14 kW, 230/400 VAC, 4 Wire, 3NG	1	B
1	180681-005	Full vat heating element service pack, 14 kW, 220/380 VAC, 4 Wire, 3NG	1	B
1	180681-006	Full vat heating element service pack, 14 kW, 240/415 VAC, 4 Wire, 3NG	1	B
1	180681-008	Full vat heating element service pack, 14 kW, 230 VAC, 3 Wire, 3+G	1	B
1	180681-009	Full vat heating element service pack, 14 kW, 240 VAC, 3 Wire, 3+G	1	B
2	159881	Full vat rack	1	
3	140773	Probe guard, compression fitting - Service Pack	3	
4	180684	Oil diverter cover service pack	1	
4*	SC01-286	- Screw, #8-32 x .75, PH, FHD, SS	A/R	

Recommended Parts: A = Truck Stock; B = Dist. Stock
*** = Not Shown**
A/R = As Required



For the most up-to-date parts information, visit
<https://parts.hennypennyhelp.com>.

Heating Element Components



Item No.	Part No.	Description	Qty.	Stocking Level
1*	180681-XXX	Full vat heating element service pack	1	B
2	76948	- Pivot block o-ring	2	
3	86303	- Pivot block	2	
4	86306	- Pivot block gasket	2	
5	180685	- Full vat element brackets service pack	1	
6	180687	- High limit RTD service pack	2	A
7	83038	Element tilt switch arm	1	
8*	83096	Element tilt switch	1	A



For the most up-to-date parts information, visit
<https://parts.hennypennyhelp.com>.

Item No.	Part No.	Description	Qty.	Stocking Level
9*	169428	Full vat element bar	A/R	
10*	SC04-024	Screw #8-32 X 3/8 Hex HD SS	A/R	

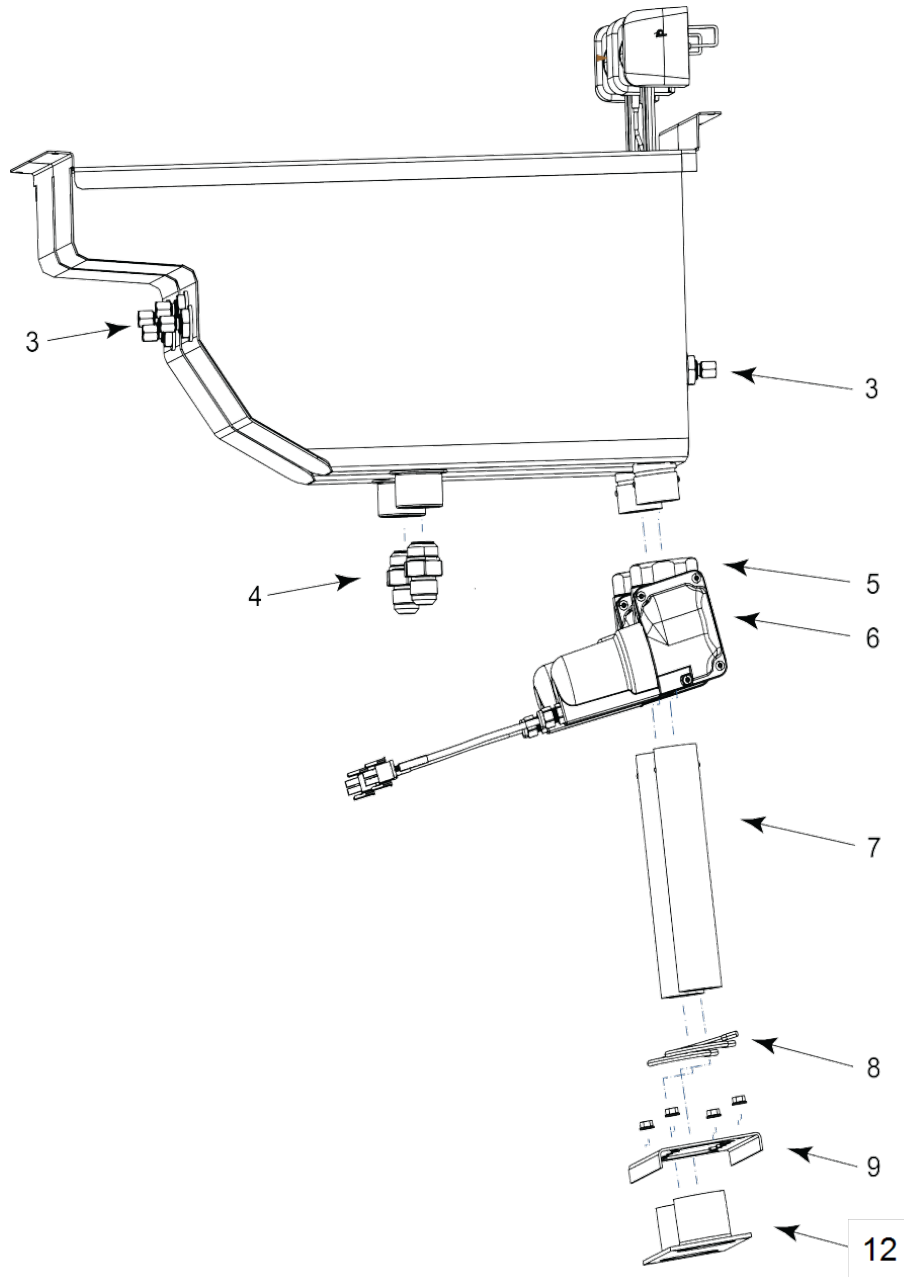
Recommended Parts: A = Truck Stock; B = Dist. Stock
 * = Not Shown
 A/R = As Required



For the most up-to-date parts information, visit
<https://parts.hennypennyhelp.com>.

Split Vat Components and Heating Elements

Exterior Components





For the most up-to-date parts information, visit
<https://parts.hennypennyhelp.com>.

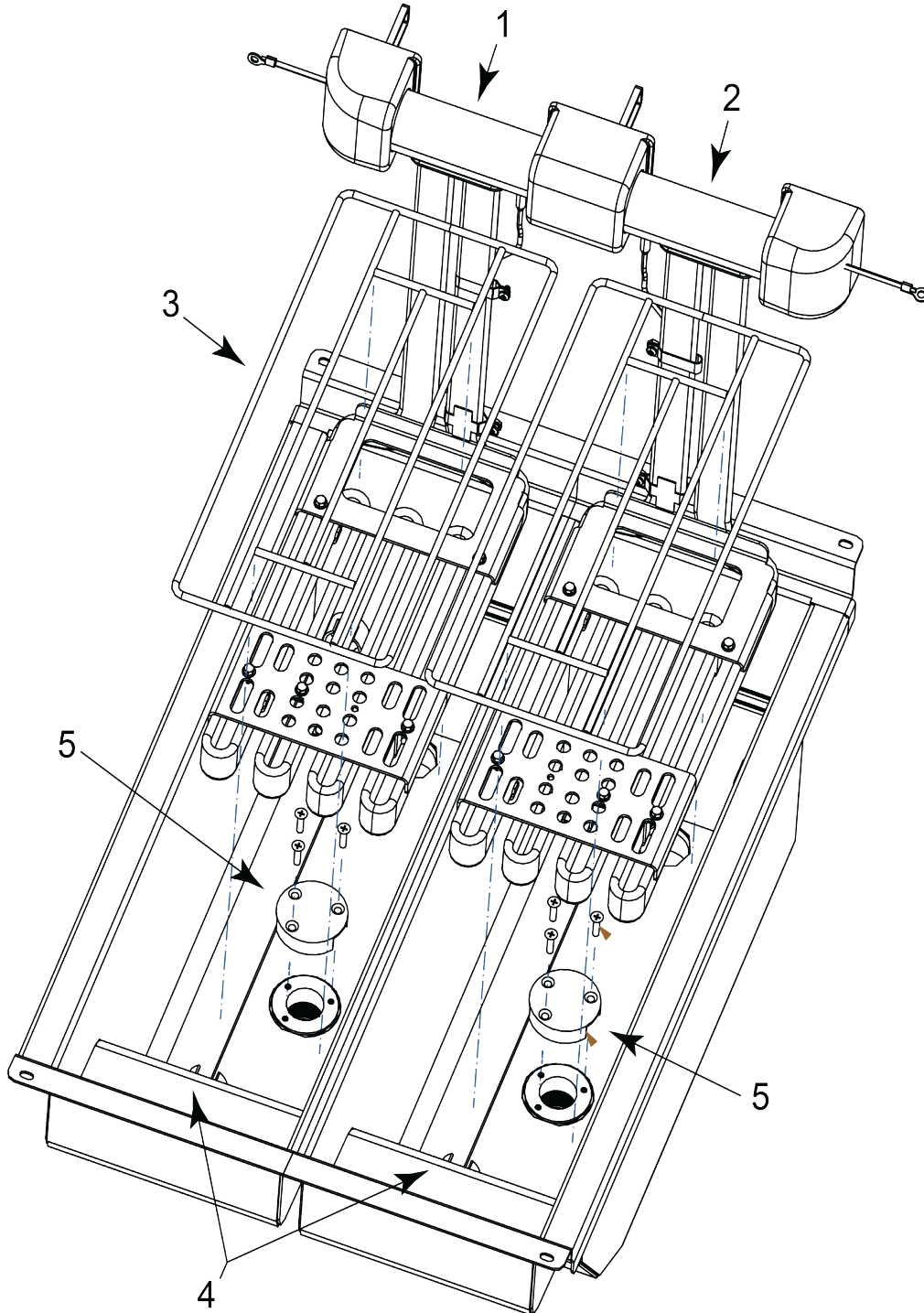
	Part No.	Description	Qty.	Stocking Level
1*	140713	Split vat replacement kit	1	
2.1*	140714	Temperature probe kit, 2 in. (rear vat)	2	A
2.2*	140637	Level probe kit, 2-1/2 in. (front vat)	2	A
3	185034	- Compression fitting, 3/16 in.	4	
4	159820	Check valve fitting	2	A
5	140244	Drain valve kit, without motor	2	B
5*	84415	- Drain valve O-ring only	2	
6	86157	Drain valve motor only	2	B
7	95704-007	Drain tube	2	
8	MS01-315	Trough gasket clamp	2	
9	161216	Trough cover plate	1	
10*	NS04-004	Trough cover plate flanged locknut	4	
11*	161771	Trough cover plate gasket	1	
12	172936-002	Split vat trough gasket service pack	1	
13.1*	172933	1 Vat drain trough service pack	1	
13.2*	172932	2 Vat drain trough service pack	1	
13.3*	172931	3 Vat drain trough service pack	1	
13.4*	172930	4 Vat drain trough service pack	1	

Recommended Parts: A = Truck Stock; B = Dist. Stock
*** = Not Shown**



For the most up-to-date parts information, visit
<https://parts.hennypennyhelp.com>.

Interior Components





For the most up-to-date parts information, visit
<https://parts.hennypennyhelp.com>.

	Part No.	Description	Qty.	Stocking Level
1	180682-001	Left split vat heating element service pack, 7 kW, 208 VAC, 3 Wire, 3+G	1	B
1	180682-002	Left split vat heating element service pack, 7 kW, 230/400 VAC, 4 Wire, 3NG	1	B
1	180682-005	Left split vat heating element service pack, 7 kW, 220/380 VAC, 4 Wire, 3NG	1	B
1	180682-006	Left split vat heating element service pack, 7 kW, 240/415 VAC, 4 Wire, 3NG	1	B
1	180682-008	Left split vat heating element service pack, 7 kW, 230 VAC, 3 Wire, 3+G	1	B
1	180682-009	Left split vat heating element service pack, 7 kW, 240 VAC, 3 Wire, 3+G	1	B
1	180682-010	Left split vat heating element service pack, 8.5 kW, 208 VAC, 6 Wire, 3+G	1	B
1	180682-011	Left split vat heating element service pack, 8.5 kW, 230/400 VAC, 4 Wire, 3NG	1	B
1	180682-014	Left split vat heating element service pack, 8.5 kW, 220/380 VAC, 4 Wire, 3NG	1	B
1	180682-015	Left split vat heating element service pack, 8.5 kW, 240/415 VAC, 4 Wire, 3NG	1	B
1	180682-017	Left split vat heating element service pack, 8.5 kW, 230 VAC, 6 Wire, 3+G	1	B
1	180682-018	Left split vat heating element service pack, 8.5 kW, 240 VAC, 6 Wire, 3+G	1	B
2	180683-001	Right split vat heating element service pack, 7 kW, 208 VAC, 3 Wire, 3+G	1	B



For the most up-to-date parts information, visit
<https://parts.hennypennyhelp.com>.

	Part No.	Description	Qty.	Stocking Level
2	180683-002	Right split vat heating element service pack, 7 kW, 230/400 VAC, 4 Wire, 3NG	1	B
2	180683-005	Right split vat heating element service pack, 7 kW, 220/380 VAC, 4 Wire, 3NG	1	B
2	180683-006	Right split vat heating element service pack, 7 kW, 240/415 VAC, 4 Wire, 3NG	1	B
2	180683-008	Right split vat heating element service pack, 7 kW, 230 VAC, 3 Wire, 3+G	1	B
2	180683-009	Right split vat heating element service pack, 7 kW, 240 VAC, 3 Wire, 3+G	1	B
2	180683-010	Right split vat heating element service pack, 8.5 kW, 208 VAC, 6 Wire, 3+G	1	B
2	180683-011	Right split vat heating element service pack, 8.5 kW, 230/400 VAC, 4 Wire, 3NG	1	B
2	180683-014	Right split vat heating element service pack, 8.5 kW, 220/380 VAC, 4 Wire, 3NG	1	B
2	180683-015	Right split vat heating element service pack, 8.5 kW, 240/415 VAC, 4 Wire, 3NG	1	B
2	180683-017	Right split vat heating element service pack, 8.5 kW, 230 VAC, 6 Wire, 3+G	1	B
2	180683-018	Right split vat heating element service pack, 8.5 kW, 240 VAC, 6 Wire, 3+G	1	B
3	159882	Split vat rack	2	
4	140773	Probe guard replacement service pack	6	
5	180684	Oil diverter cover service pack	2	

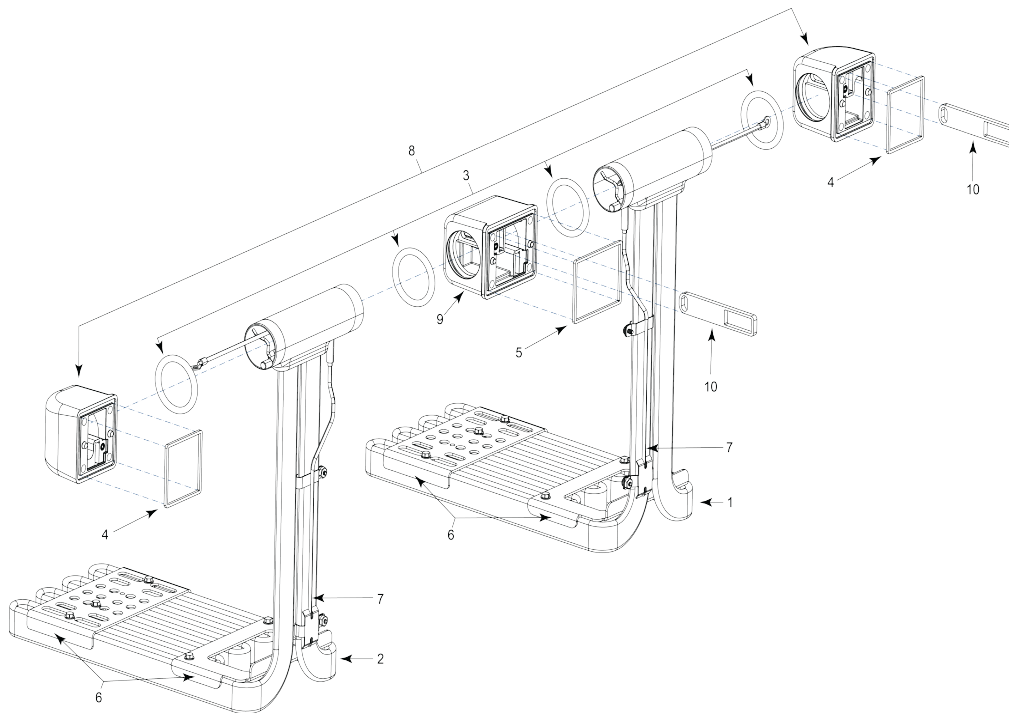


For the most up-to-date parts information, visit
<https://parts.hennypennyhelp.com>.

	Part No.	Description	Qty.	Stocking Level
5*	SC01-286	- Screw, #8-32 x .75, PH, FHD, SS	A/R	

Recommended Parts: A = Truck Stock; B = Dist. Stock
 * = Not Shown

Heating Element Components



	Part No.	Description	Qty.	Stocking Level
1-2	-	Split vat heating element service pack components	-	-
3	76948	- Pivot block o-ring	2	
4	86306	- Outer pivot block gasket	1	



For the most up-to-date parts information, visit
<https://parts.hennypennyhelp.com>.

	Part No.	Description	Qty.	Stocking Level
5	86308	- Inner pivot block gasket	1	
6	180686	- Split vat element brackets service pack	1	
7	180687	- High limit RTD service pack	1	
8	86303	Outer pivot block	2	
9	86305	Inner pivot block	1	
10	83038	Element tilt switch arm	1	
11*	83096	Element tilt switch	2	A

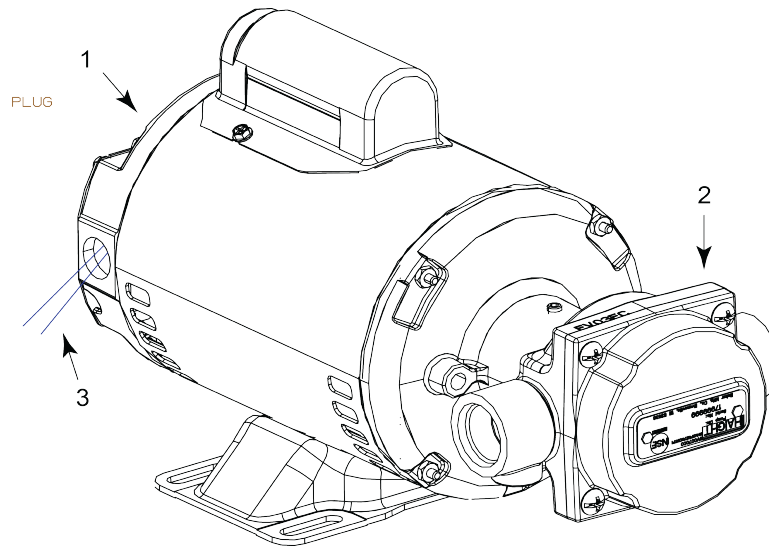
NOTE - Left / Right split vat element orientation as viewed from fryer control panel
Recommended Parts: A = Truck Stock; B = Dist. Stock
*** = Not Shown**



For the most up-to-date parts information, visit
<https://parts.hennypennyhelp.com>.

Filter Pump and Motor

Filter Pump with Motor



Item No.	Part No.	Description	Qty.	Stocking Level
1	164184-001	Filter pump motor, 60 Hz.	1	A
1	164184-002	Filter pump motor, 50 Hz.	1	A
2	164185	Filter pump, 8 GPM (See Filter Pump Components)	1	A
3	175719-001	OFE 512, 512, 513, 514 Filter pump motor cord	1	
3	175719-003	OFE 511 Filter pump motor cord	1	
4*	79525	Lever nut, 3 conductor connector (motor cord)	2	

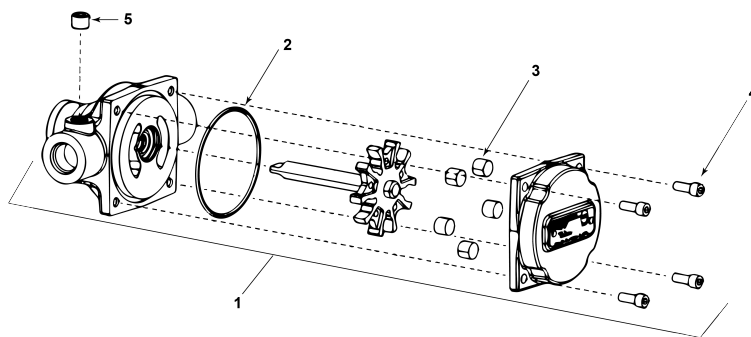


For the most up-to-date parts information, visit
<https://parts.hennypennyhelp.com>.

Item No.	Part No.	Description	Qty.	Stocking Level
-	-	Motor shield, (CE) (See Chassis Interior)	1	

Recommended Parts: A = Truck Stock; B = Dist. Stock
 * = Not Shown
 A/R = As Required

Filter Pump Component



Note - Never separate the filter pump rotor and body. Separating the rotor and body will cause permanent pump seal damage.

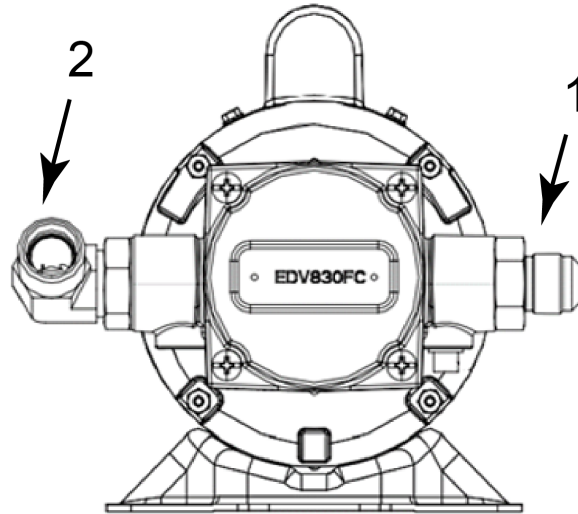
Item No.	Part No.	Description	Qty.	Stocking Level
1	-	Filter pump, 8 GPM assembly (See Filter Pump with Motor)	-	
2	162498	- Pump cover o-ring	1	B
3	162501	- Rollers, 8 GPM (set of 5)	1	A
4	180716	- Pump cap screws service pack (set of 4)	1	
5	FP01-020	- Priming port plug	1	

Recommended Parts: A = Truck Stock; B = Dist. Stock
 * = Not Shown
 A/R = As Required



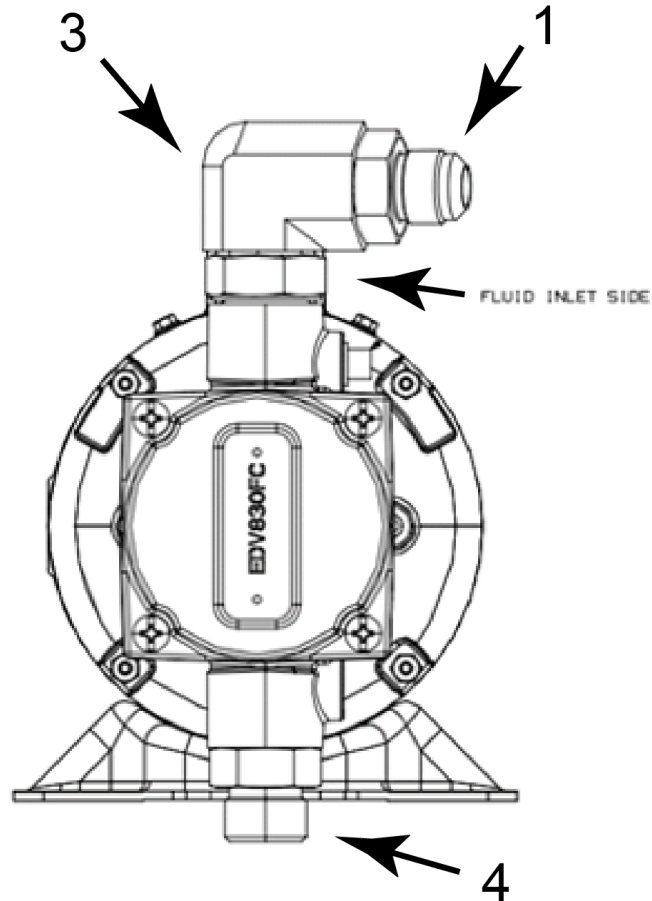
For the most up-to-date parts information, visit
<https://parts.hennypennyhelp.com>.

Filter Pump and Motor Fittings





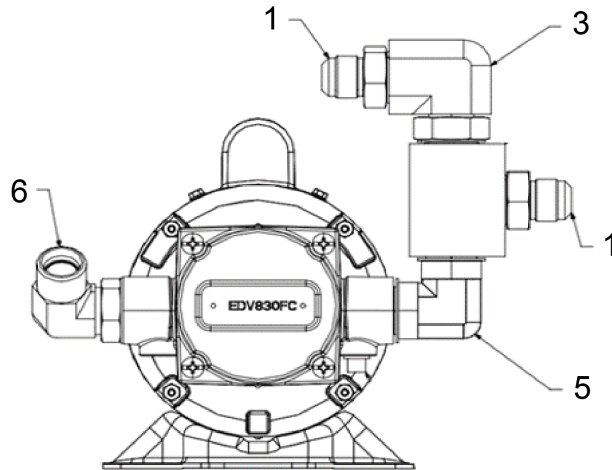
For the most up-to-date parts information, visit
<https://parts.hennypennyhelp.com>.



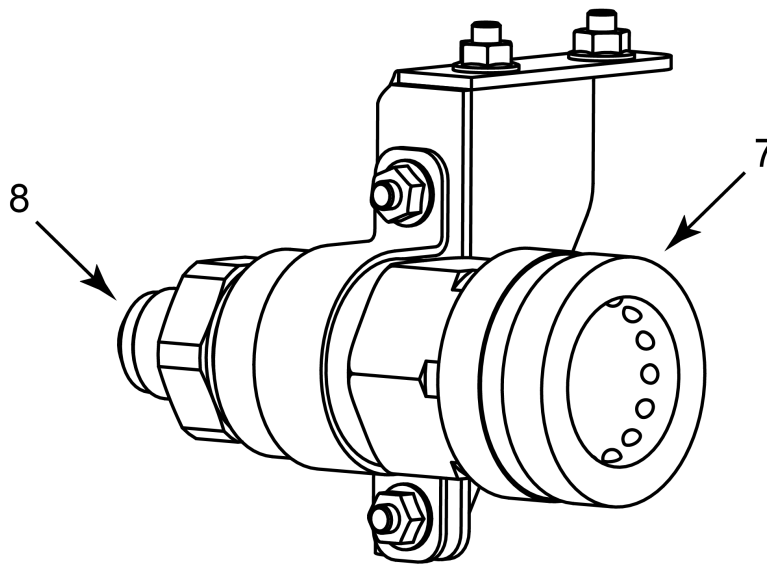


For the most up-to-date parts information, visit
<https://parts.hennypennyhelp.com>.

Pump and Motor Fittings (France W/ Dispose)



Front Dispose Assembly (France)



Item No.	Part No.	Description	Qty.	Stocking Level
1	164642	Straight 12 SAE X 15/16-16 UN 45 flsre	A/R	



For the most up-to-date parts information, visit
<https://parts.hennypennyhelp.com>.

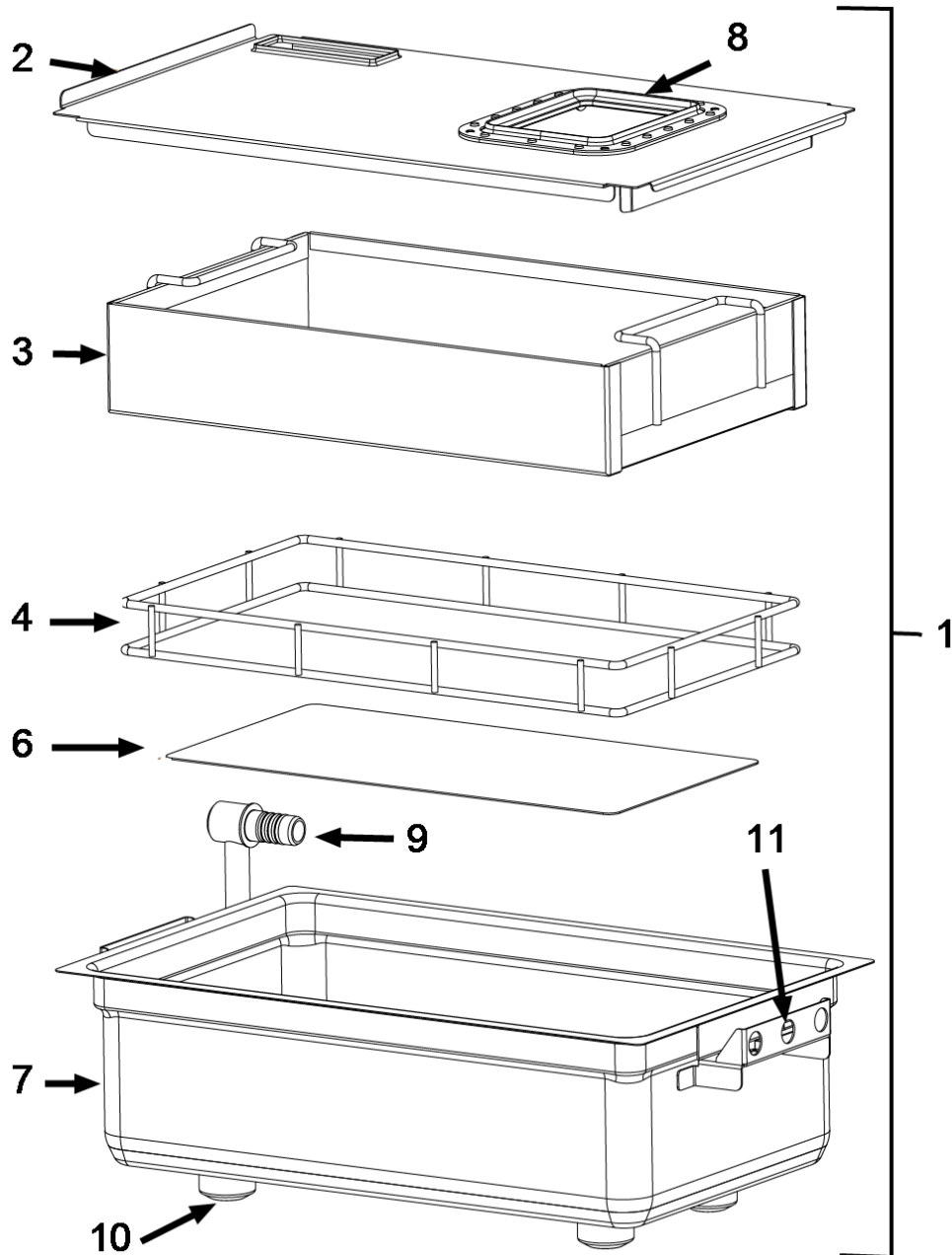
Item No.	Part No.	Description	Qty.	Stocking Level
2	163048	12 SAE to 1-1/16 elbow	A/R	
3	168227	12 SAE F to 12 SAE M elbow	A/R	
4	FP01-280	SAE 12 flareless fitting	A/R	
5	FP01-292	SAE 12 elbow	A/R	
6	174970	3 X 12 SAE port manifold	A/R	
7	80752	Quick connect, female fitting	A/R	
8	184623	1 NPT X 15/16 - 16 UN 45 flare fitting	A/R	

Recommended Parts: A = Truck Stock; B = Dist. Stock
*** = Not Shown**
A/R = As Required



For the most up-to-date parts information, visit
<https://parts.hennypennyhelp.com>.

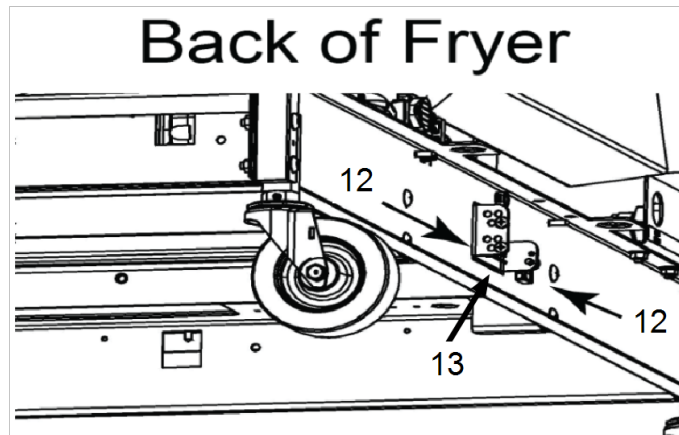
Filter Pan Assembly



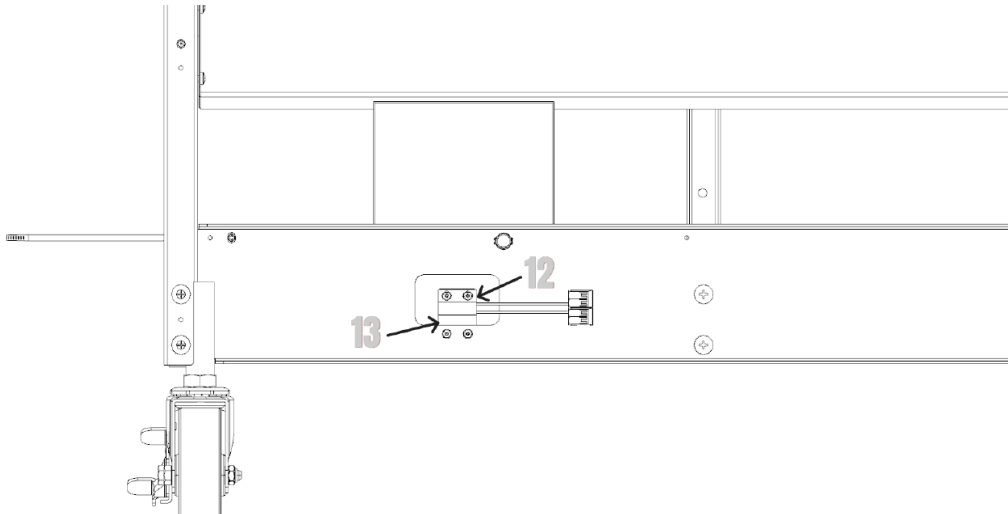


For the most up-to-date parts information, visit
<https://parts.hennypennyhelp.com>.

LC2510088



LC2510089





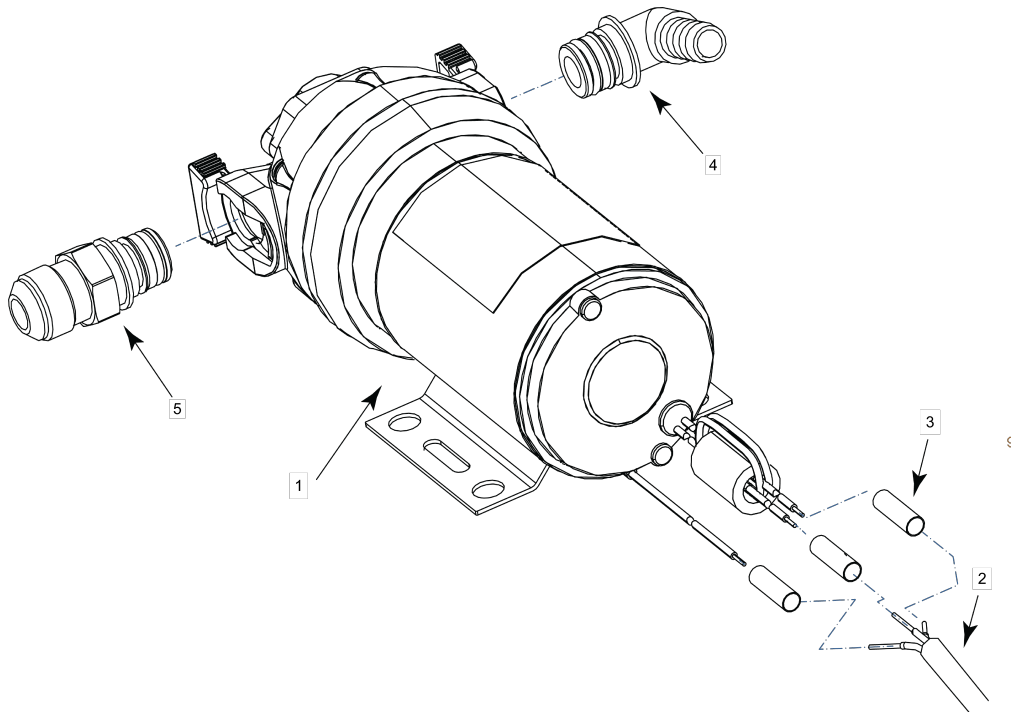
For the most up-to-date parts information, visit
<https://parts.hennypennyhelp.com>.

Item No.	Part No.	Description	Qty.	Stocking Level
1	160692	Filter pan assembly, complete with lid - GM	1	
2	160693	- Filter pan cover assembly	1	
3	160293	- Crumb catcher	1	
4	157535	- Filter weight	1	
5*	-	- Filter pad options	1	
6	85519	- Filter screen	1	
7	160696	- Filter pan with glides	1	
8	172926	- Filter pan cover gasket service pack	1	A
9	175860	- Filter pan o-ring service pack (pack of 12)	1	A
10	172929	- Filter pan glide service pack (pack of 4)	1	B
11	172928	- Filter pan magnet service pack	1	A
12	172947	Filter pan sensor service pack	1	A
13	162704	Filter pan sensor bracket (SN: LC2510088 and before)	1	
13	181135	Filter pan sensor bracket (SN: LC2510089 and after)	1	
14*	NS02-009	Nut, hex, keps #4-40 (sensor bracket mounting)	2	
Recommended Parts: A = Truck Stock; B = Dist. Stock * = Not Shown				



For the most up-to-date parts information, visit
<https://parts.hennypennyhelp.com>.

Auto Top-Off (ATO) Jug In Box (JIB) Pump



Item No.	Part No.	Description	Qty.	Stocking Level
1	180713-001	ATO (JIB) pump service pack	1	A
1	180713-002	ATO (JIB) pump service pack (CE)	1	A
2	175719-002	- ATO pump cord	1	
3	EC01-109	- Crimp wire connector	3	
4	FP01-331	90 SNAP-IN 1/2 hose barb elbow	1	
5	163895	Str-QDISC X 15/16-16 45 flare	1	
Recommended Parts: A = Truck Stock; B = Dist. Stock * = Not Shown				



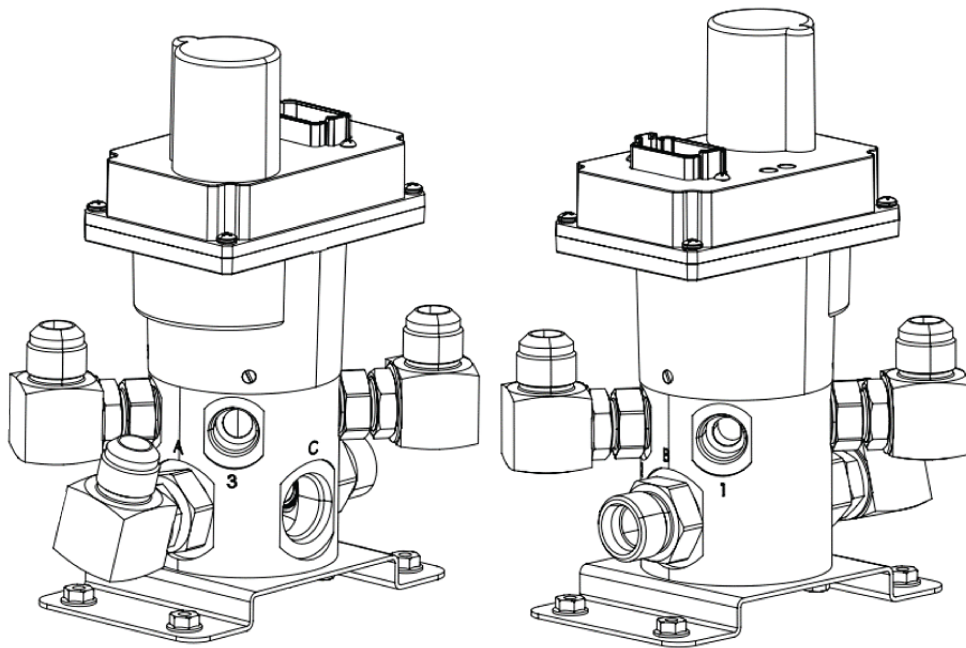
For the most up-to-date parts information, visit
<https://parts.hennypennyhelp.com>.

Selector Valve

IMPORTANT:

- Fitting arrangements vary by the number of ports and application.
- An unused port is sealed with a plug.
- SAE 8 fittings are for out ports, and SAE 12 fittings are for common in ports.

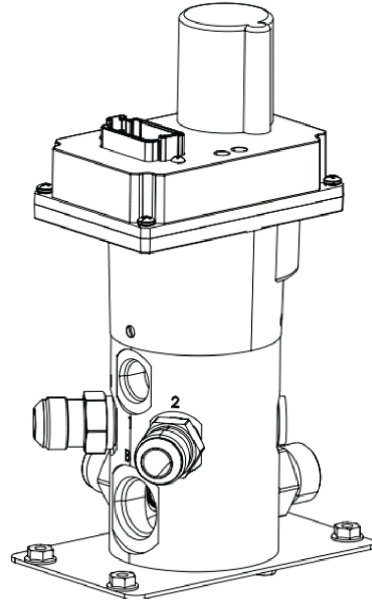
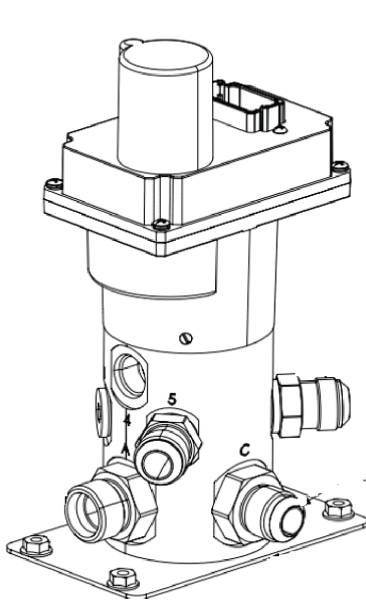
4 Port - 3.1





For the most up-to-date parts information, visit
<https://parts.hennypennyhelp.com>.

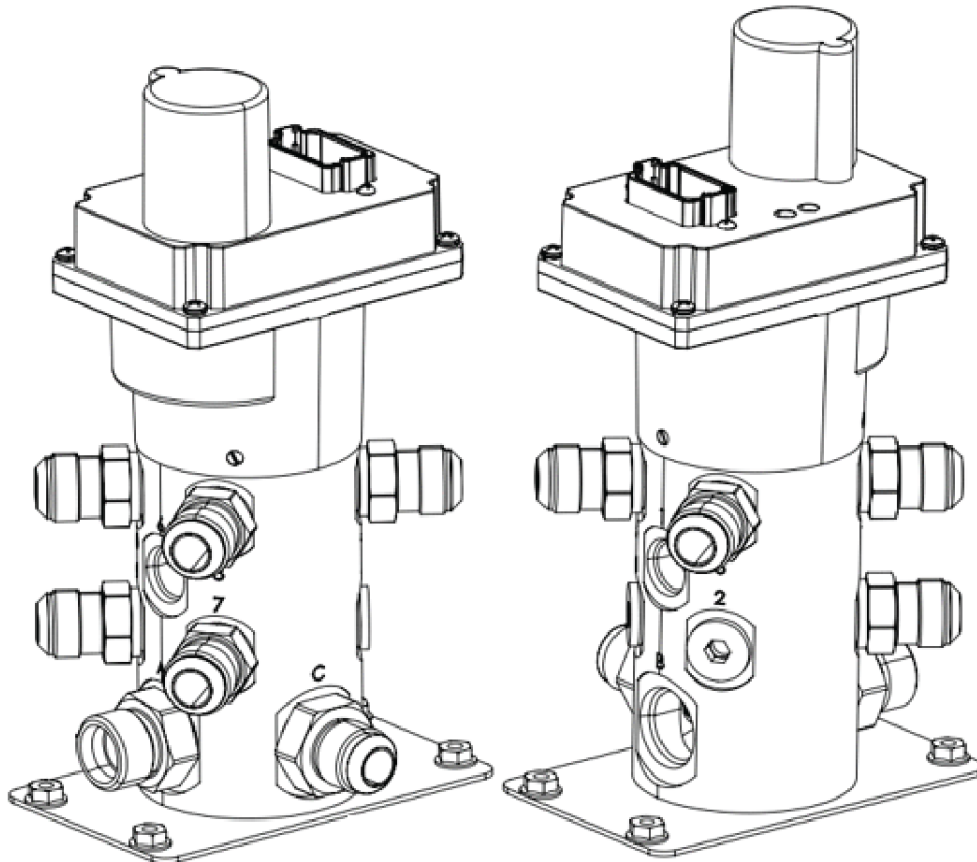
6 Port - 3.2





For the most up-to-date parts information, visit <https://parts.hennypennyhelp.com>.

10 Port - 3.3



Selector Port Components

Item No.	Part No.	Description	Qty.	Stocking Level
1	182774	Emulator Encoder Motor	1	B
2^	186886-001	Emulator Encoder Harness	1	
3.1	170144-002	Service Pack - 4 Port Selector Valve NOTE: Fittings and plumbing not included.	1	



For the most up-to-date parts information, visit
<https://parts.hennypennyhelp.com>.

Item No.	Part No.	Description	Qty.	Stocking Level
3.2	170144-003	Service Pack - 6 Port Selector Valve NOTE: Fittings and plumbing not included.	1	
3.3	170144-004	Service Pack - 10 Port Selector Valve NOTE: Fittings and plumbing not included.	1	
4	FP01-346	Plug, SAE 8 (upper port (out))	A/R	
5	165436	Elbow, SAE 8 X 15/16 fitting (upper port (out)) (4-port only)	A/R	
6	159818	Straight, SAE 8 X 15/16 fitting (upper port (out))	A/R	
7*	162394	Elbow check valve, SAE 12 X 15/16 fitting (lower port (in)) (4-port only)	A/R	
8*	159823	Straight check valve, SAE 12 X 1-1/16 fitting (lower port (in))	A/R	
9*	159820	Straight check valve, SAE 12 X 15/16- fitting (JIB port in "C")	A/R	
Recommended Parts: A = Truck Stock; B = Dist. Stock * = Not Shown A/R = As Required				



For the most up-to-date parts information, visit
<https://parts.hennypennyhelp.com>.

Flexible Oil Lines

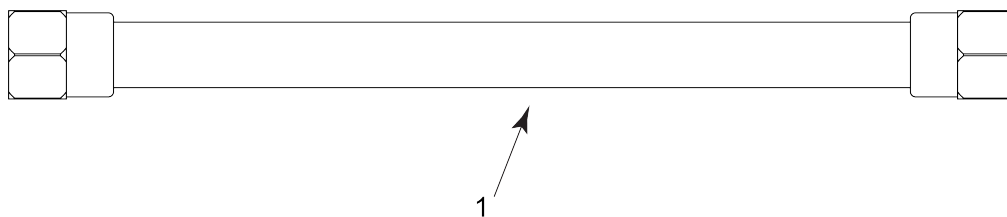
Stainless Steel Braided Flexible Oil Lines

Port	Config					
	2	3	4	5	6	
FF	x	220	x	240	x	
SS	180	220	x	240	220	
FS	x	220	x	240	220	
SF	180	220	x	240	x	
FFF	x	220	x	360	240	
FFFF	300	220	x	360	240	

6 Port Selector Valve Braided Tubes

Port	Config									
	2	3	4	5	7	8	9	10		
SSS	180	220	x	x	360	300	300	220		
FSS	x	220	x	x	360	300	300	220		
FFS	x	220	x	x	360	300	240	x		
SSF	180	220	x	x	360	x	300	220		
SFF	180	220	x	x	360	x	240	x		
SSSS	180	220	360	300	360	300	300	220		
FSSS	180	220	x	300	360	300	300	220		
FFSS	x	220	x	300	360	300	300	220		
FFFS	x	220	x	300	360	300	240	x		
SSSF	180	220	360	300	360	x	300	220		
SSFF	180	220	360	300	360	x	240	x		
SFFF	x	220	360	300	360	x	240	x		

10 Port Selector Valve Braided Tubes



Note:

- Bend radii, no smaller than .75 in. (1.905 cm)
- No bends within .5 in. (1.27 cm) of end nut
- Hold mating fitting while end nut is being tightened
- End nut maximum torque: 43 lbf-ft (58 N-m)

Item No.	Part No.	Description	Qty.	Stocking Level
1	163877-120	Braided oil line, 3/4 in (19 mm) OD, 12 in (31 cm) long	A/R	
1	163877-160	Braided oil line, 3/4 in (19 mm) OD, 16 in (41 cm) long	A/R	
1	163877-180	Braided oil line, 3/4 in (19 mm) OD, 18 in (46 cm) long	A/R	



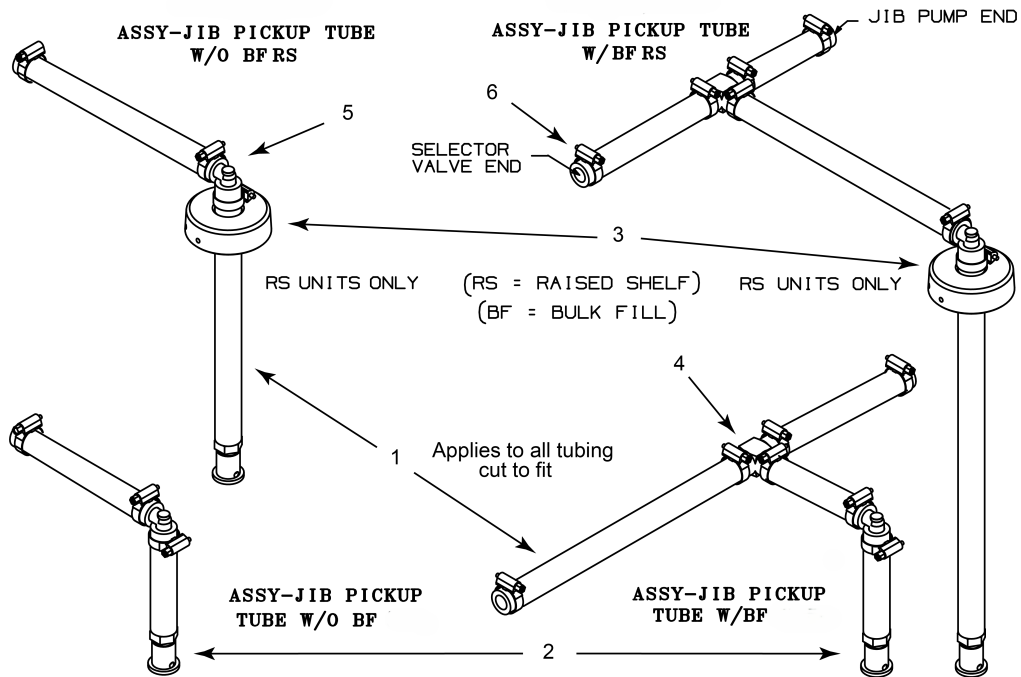
For the most up-to-date parts information, visit
<https://parts.hennypennyhelp.com>.

Item No.	Part No.	Description	Qty.	Stocking Level
1	163877-200	Braided oil line, 3/4 in (19 mm) OD, 20 in (51 cm) long	A/R	
1	163877-220	Braided oil line, 3/4 in (19 mm) OD, 22 in (56 cm) long	A/R	
1	163877-240	Braided oil line, 3/4 in (19 mm) OD, 24in (61 cm) long	A/R	
1	163877-300	Braided oil line, 3/4 in (19 mm) OD, 30 in (76 cm) long	A/R	
1	163877-360	Braided oil line, 3/4 in (19 mm) OD, 36 in (91 cm) long	A/R	
Recommended Parts: A = Truck Stock; B = Dist. Stock * = Not Shown A/R = As Required				



For the most up-to-date parts information, visit
<https://parts.hennypennyhelp.com>.

Silicone Flexible Oil Lines



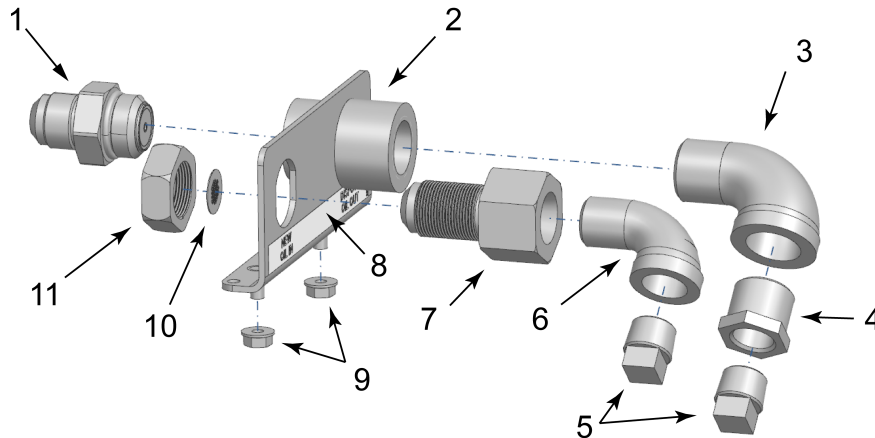
Item No.	Part No.	Description	Qty.	Stocking Level
1	MS01-754	Silicone hose	A/R	
2	FP01-228	Barb-1/2 hose x 3/8 NPT nylon	1	
2	161399	JIB oil pickup	1	
3	186312	JIB cap	1	
4	FP01-345	- Nylon barbed tee	A/R	
5	FP01-348	- Nylon barbed elbow	1	
6	MS01-297	- Hose clamp	A/R	

Recommended Parts: A = Truck Stock; B = Dist. Stock
 * = Not Shown
 A/R = As Required



For the most up-to-date parts information, visit
<https://parts.hennypennyhelp.com>.

Bulk Oil Fittings



Item No.	Part No.	Description	Qty.	Stocking Level
1	159820	Check valve fitting, SAE 12, 15/16-16, 45° flare	1	A
2	174481	Bulk oil bracket - label not supplied	1	
3	FP01-100	90° street elbow, 3/4 in. NPT, black Iron	1	
4	FP01-089	Reducing bushing, 3/4 in. male to 1/2 in.	1	
5	FP01-002	Square head pipe plug, 1/2 in.	2	
6	FP01-127	1/2 x 1/2, 90° street elbow	1	
7	161489	Adapter fitting, 1/2 in. NPT	1	
8	85708	Bulk oil connection label	1	
9	NS04-005	Locknut, 1/4 in. x 20	1	
10	MS01-654	Wire screen, 3/4 in.	1	
11	164072	Hex nut, 15/16 in. UNC	1	



For the most up-to-date parts information, visit
<https://parts.hennypennyhelp.com>.

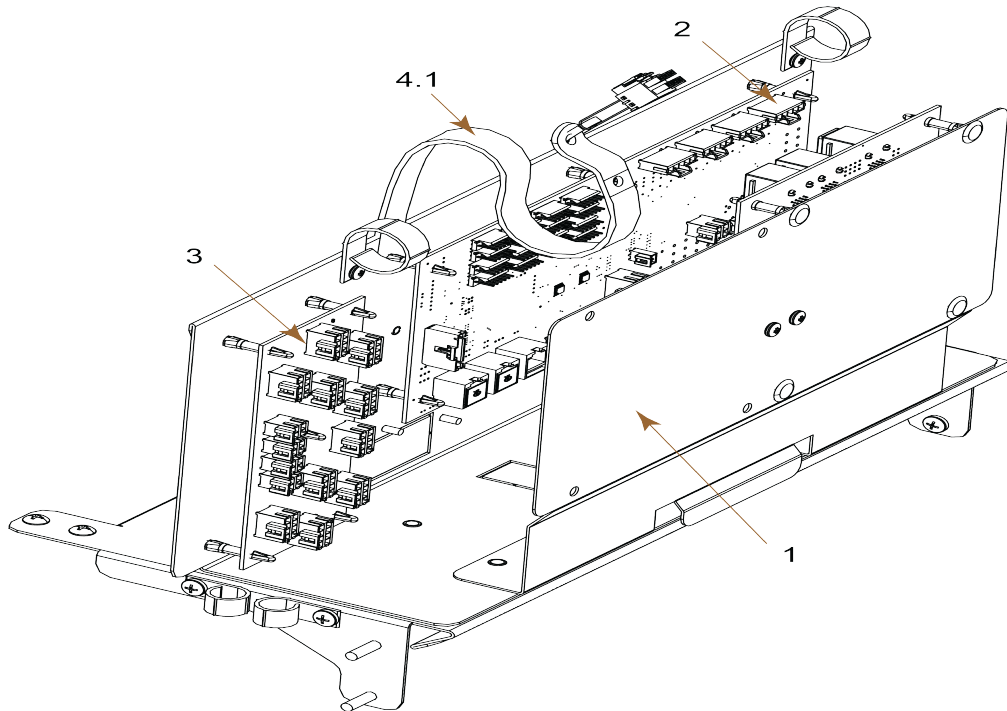
Item No.	Part No.	Description	Qty.	Stocking Level
12*	140938	Bulk oil re-mounting kit, 4-well (LC2410144 and before)	A/R	B
13*	140937	Bulk oil re-mounting kit, 4-well (LC2410144 and before) - (France w/ vacuum dispose only)	A/R	B
14*	140934	Bulk fill cable kit, non-RTI	1	
<p>Recommended Parts: A = Truck Stock; B = Dist. Stock * = Not Shown A/R = As Required</p>				



For the most up-to-date parts information, visit
<https://parts.hennypennyhelp.com>.

Mid Shelf and PMU/OMS Mounting

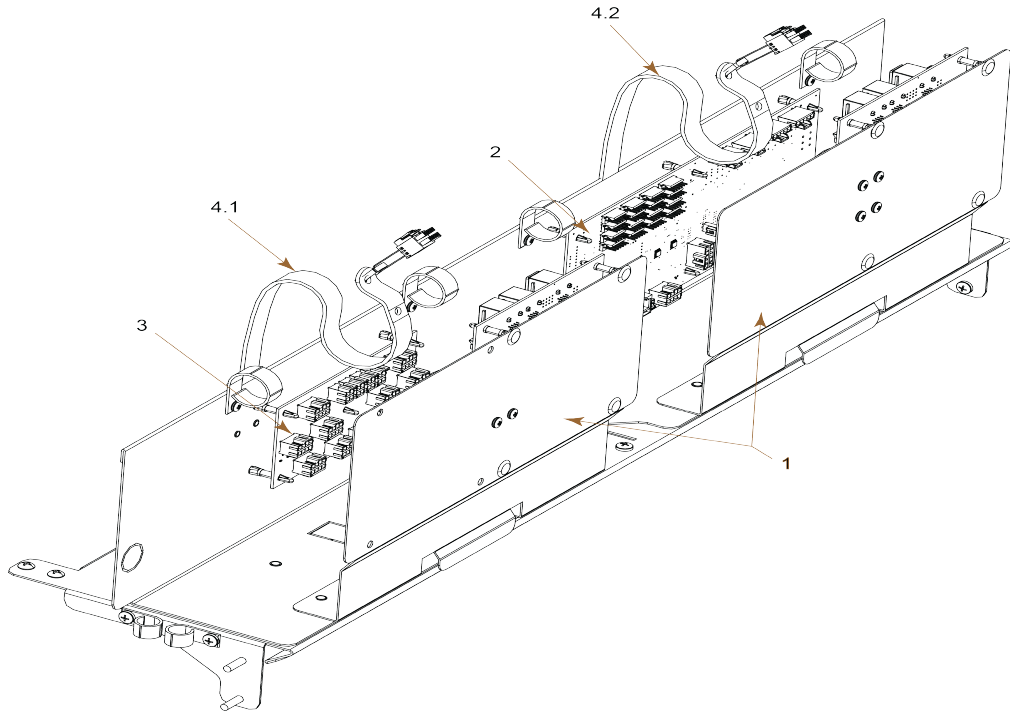
Mid Shelf OFE-511





For the most up-to-date parts information, visit
<https://parts.hennypennyhelp.com>.

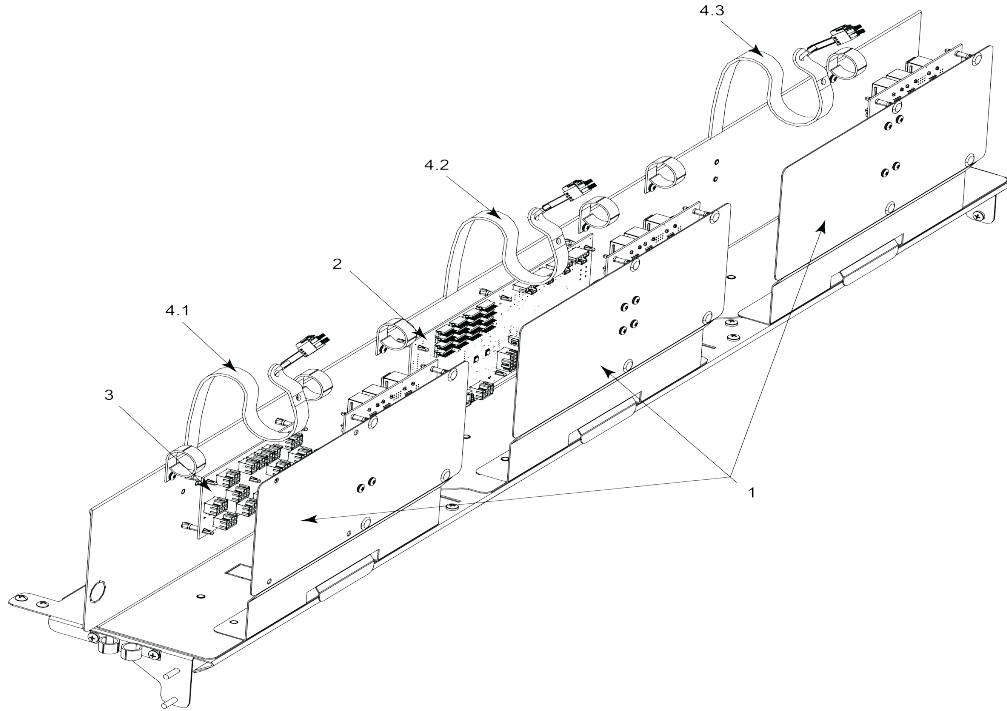
Mid Shelf OFE-512





For the most up-to-date parts information, visit
<https://parts.hennypennyhelp.com>.

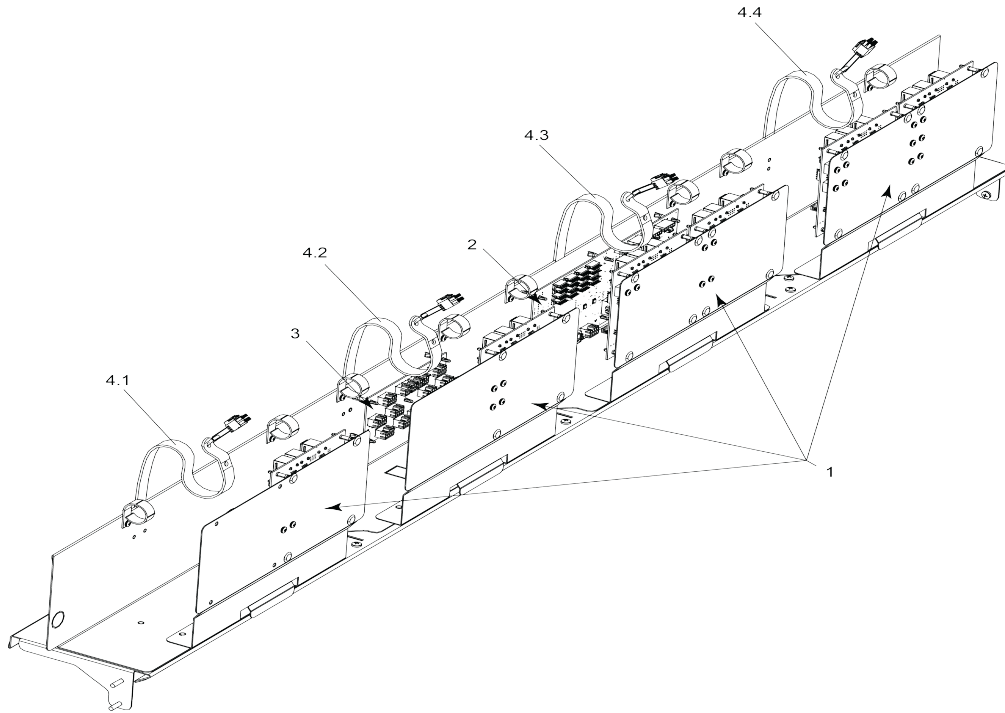
Mid Shelf OFE-513





For the most up-to-date parts information, visit
<https://parts.hennypennyhelp.com>.

Mid Shelf OFE-514



Mid Shelf Components

Item No.	Part No.	Description	Qty.	Stocking Level
1		See PMU Mounting Components	1	
2	180706	OMS board service pack	1	A
3	180707	Power distribution board service pack	1	A
4.1	180708-001	Control panel location address dongle service pack, Well 1	1	B
4.2	180708-002	Control panel location address dongle service pack, Well 2	A/R	B
4.3	180708-003	Control panel location address dongle service pack, Well 3	A/R	B



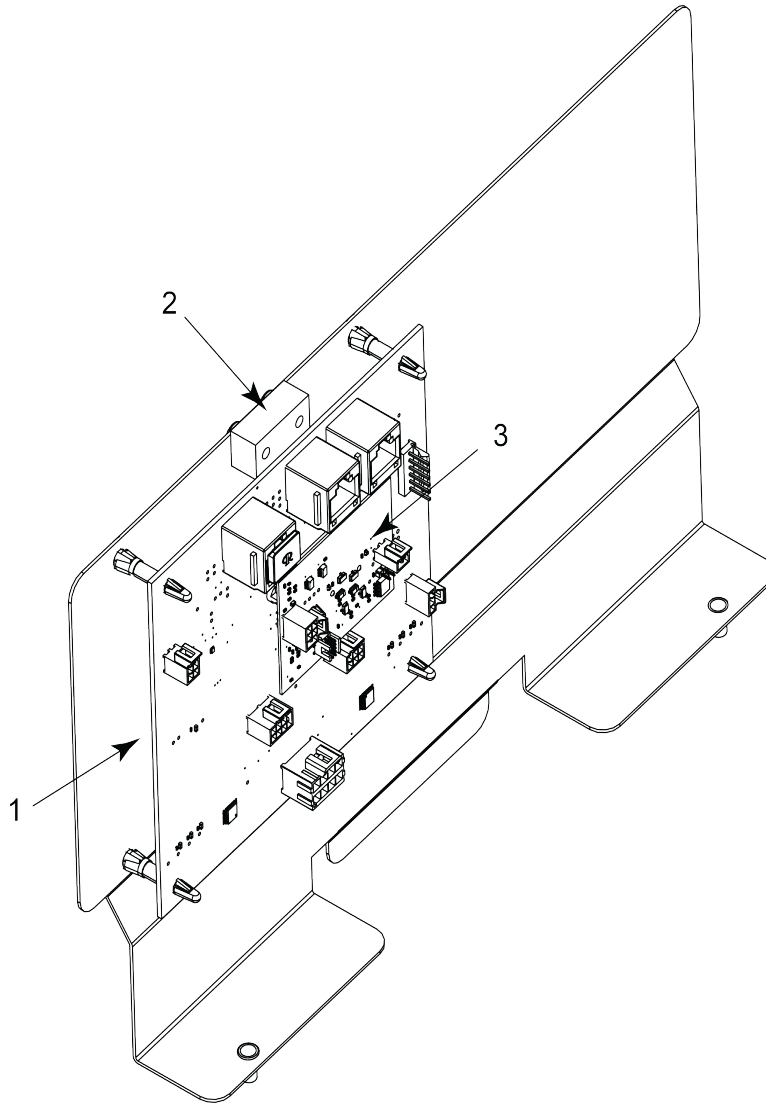
For the most up-to-date parts information, visit
<https://parts.hennypennyhelp.com>.

Item No.	Part No.	Description	Qty.	Stocking Level
4.4	180708-004	Control panel location address dongle service pack, Well 4	A/R	B
5*	185016	High limit (red) reset control switch	A/R	A
6*	EF02-104	Fuse holder	1	A
7*	FA52-015	ATO pump fuse, 1.5 A	1	A
		Mid Shelf Cover (See Chassis Exterior)	1	
8*	175546-120	1 ft. Communication cable	A/R	
9*	175546-240	2 ft. Communication cable	A/R	
10*	175546-360	3 ft. Communication cable	A/R	
Recommended Parts: A = Truck Stock; B = Dist. Stock * = Not Shown A/R = As Required				



For the most up-to-date parts information, visit
<https://parts.hennypennyhelp.com>.

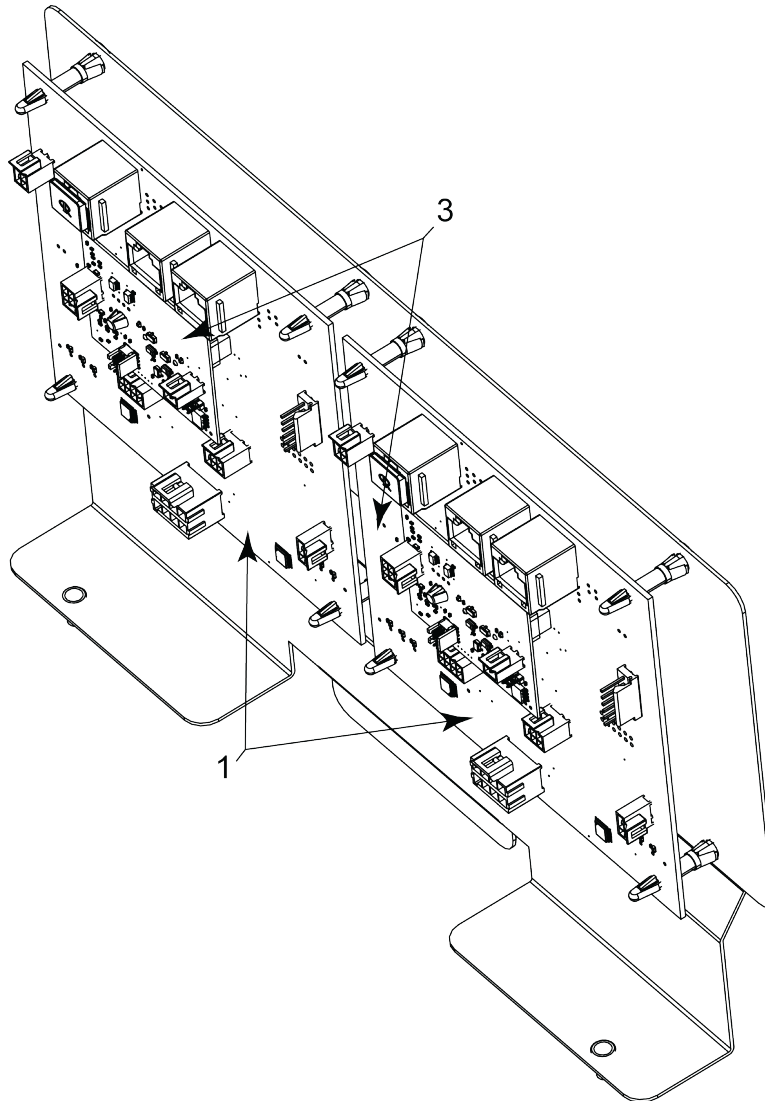
PMU Mounting - Full Vat





For the most up-to-date parts information, visit
<https://parts.hennypennyhelp.com>.

PMU Mounting-Split Vat



PMU Mounting Components

Item No.	Part No.	Description	Qty.	Stocking Level
1	180703	PMU board service pack	A/R	A
2	180704	Magnet ID service pack	A/R	A



For the most up-to-date parts information, visit
<https://parts.hennypennyhelp.com>.

Item No.	Part No.	Description	Qty.	Stocking Level
3	180705-001	High limit board service pack	A/R	A

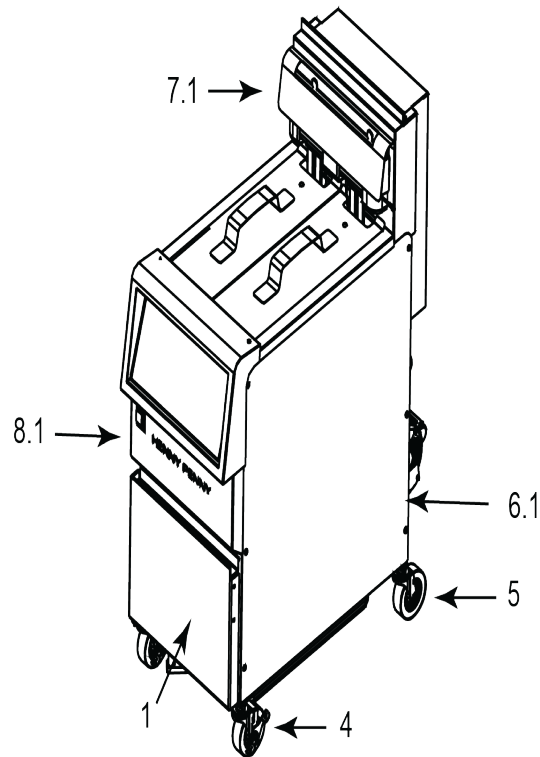
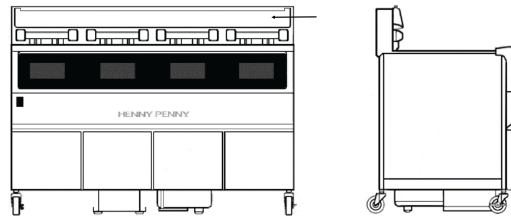
Recommended Parts: A = Truck Stock; B = Dist. Stock
 * = Not Shown
 A/R = As Required



For the most up-to-date parts information, visit
<https://parts.hennypennyhelp.com>.

Chassis Exterior

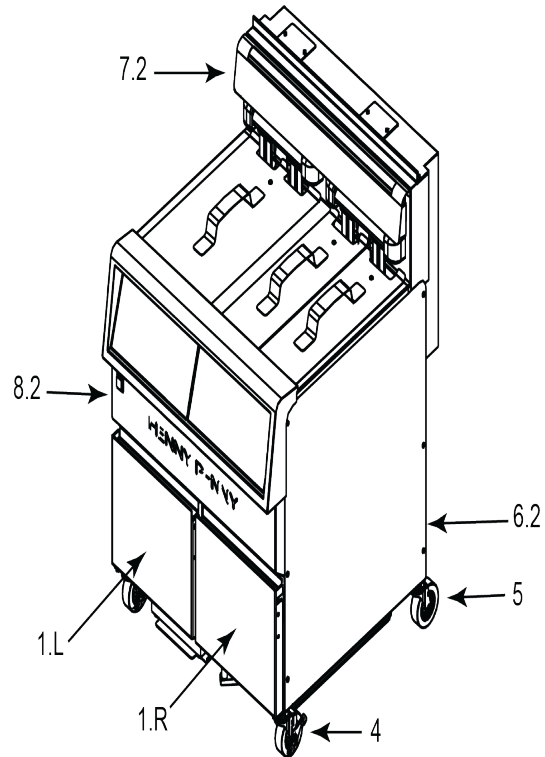
Chassis Exterior



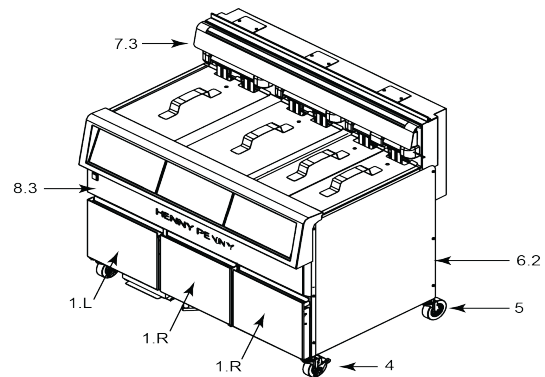


For the most up-to-date parts information, visit
<https://parts.hennypennyhelp.com>.

Chassis Exterior - OFE 512



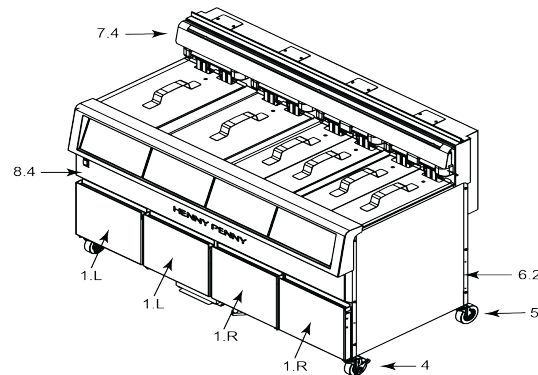
Chassis Exterior - OFE 513





For the most up-to-date parts information, visit
<https://parts.hennypennyhelp.com>.

Chassis Exterior - OFE 514



Item No.	Part No.	Description	Qty.	Stocking Level
1	176628	OFE 511 Door assembly	1	
1.L	175477	OFE 512, 513, 514 Left hinge door assembly	A/R	
1.R	175480	OFE 512, 513, 514 Right hinge door assembly	A/R	
2.L*	172897-001	Left hinge hardware service pack	A/R	
2.R*	172897-002	Right hinge hardware service pack	A/R	
3*	172972	Door bushing/clip service pack (Set of 4)	1	
4	172895	Locking (front) caster service pack	2	
5	172896	Non-locking (rear) caster service pack	2	
6.1	164568	OFE 511 Side panel	2	
6.2	164577	OFE 512, 513, 514 Side panel	2	
7.1	164001	OFE 511 Basket hanger	1	
7.2	162309	OFE 512 Basket hanger	1	
7.3	163234	OFE 513 Basket hanger	1	



For the most up-to-date parts information, visit
<https://parts.hennypennyhelp.com>.

Item No.	Part No.	Description	Qty.	Stocking Level
7.4	163246	OFE 514 Basket hanger	1	
8.1	180037	OFE 511 Mid shelf cover	1	
8.2	179409	OFE 512 Mid shelf cover	1	
8.3	180038	OFE 513 Mid shelf cover	1	
8.4	180044	OFE 514 Mid shelf cover	1	
9*	162759	Door magnet	1	
-	-	Control panel (See Control Panel)	A/R	
-	-	Power switch (See Control Panel)	1	
-	-	Power switch decal (See Control Panel)	1	
Recommended Parts: A = Truck Stock; B = Dist. Stock * = Not Shown A/R = As Required				

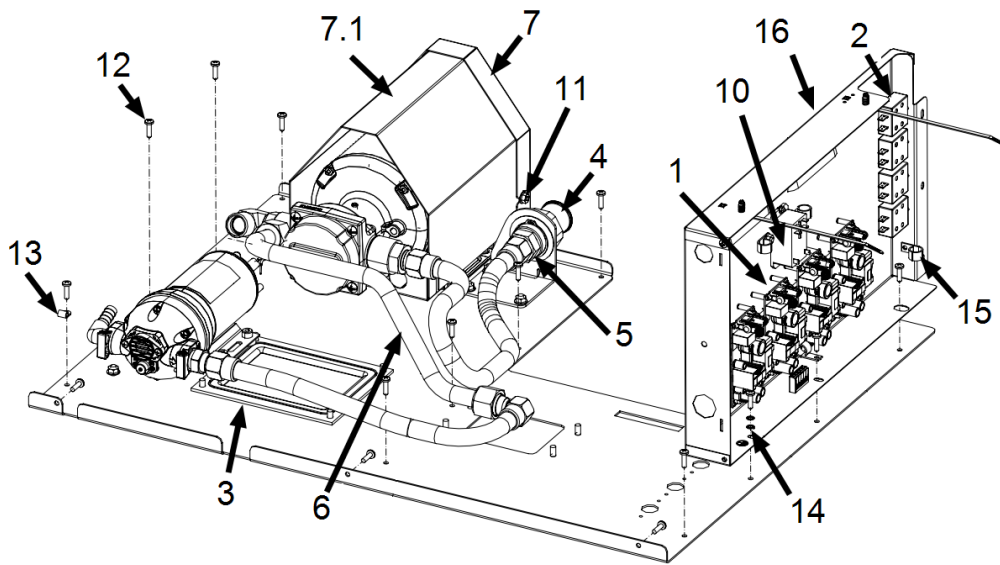


For the most up-to-date parts information, visit
<https://parts.hennypennyhelp.com>.

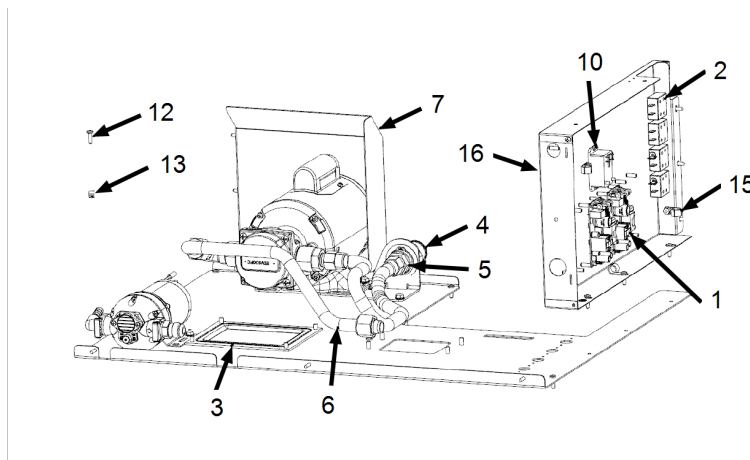
Chassis Interior

Interior

Chassis Interior - 2 well, 3 well, 4 well



Chassis Interior - CE





For the most up-to-date parts information, visit
<https://parts.hennypennyhelp.com>.

Chassis Interior Components

Item No.	Part No.	Description	Qty.	Stocking Level
1	177306	Power supply, 24 VDC (Change from qty. 4 to qty. 2 starting SN:LC2509208)	2	A
2	EF02-125	Circuit breaker, 15 A	4	A
3	186295	Drain trough spout gasket service pack	1	
4	180676	Filter pan plug and play service pack	1	
5	164642	Plug and play connector fitting	1	
6	175541	OFE 512, 513, 514 Pump outlet tube assembly	1	
7	140965	Kit, motor shield (CE) (SN: LC2507030 & Below)	1	
7	181385	Motor shield assembly (CE) (SN: LC2507031 & Above)	1	
7.1	179555	-Motor shield (CE) (SN: LC2507031 & Above)	1	
8*	181198	Motor reset cover (CE)	1	
8.1*	SC01-285	8/32" x 3/8" thumb, SS screw	1	
9*	82914	EMC filter board (CE)	1	
10	ME90-008	Pump motor relay, 30amp, 12VDC	1	A
11*	NS04-004	Serrated flanged locknut, 10-24	A/R	
12	SC03-006	Screw, #10 x 3/4 Phillips	A/R	
13	EF02-058	Nylon clamp, 3/16 DX 3/8	A/R	



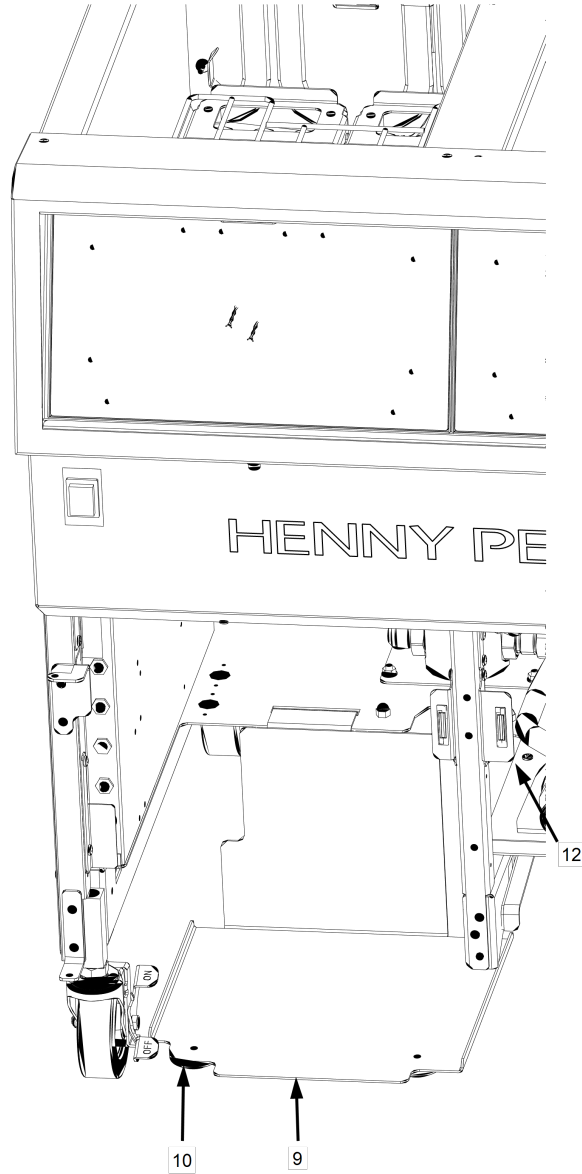
For the most up-to-date parts information, visit
<https://parts.hennypennyhelp.com>.

Item No.	Part No.	Description	Qty.	Stocking Level
14*	LW02-005	Lock Washer, 10 internal	A/R	
15	EF02-184	Clamp	A/R	
16	177867	Power enclosure box	1	
17*	140975	Power Box Cover Kit (SN: LC2505020 & Before) (Only for power boxes w/ louvers)	A/R	
<p>Recommended Parts: A = Truck Stock; B = Dist. Stock * = Not Shown A/R = As Required</p>				



For the most up-to-date parts information, visit
<https://parts.hennypennyhelp.com>.

ATO Reservoir JIB Shelf





For the most up-to-date parts information, visit
<https://parts.hennypennyhelp.com>.

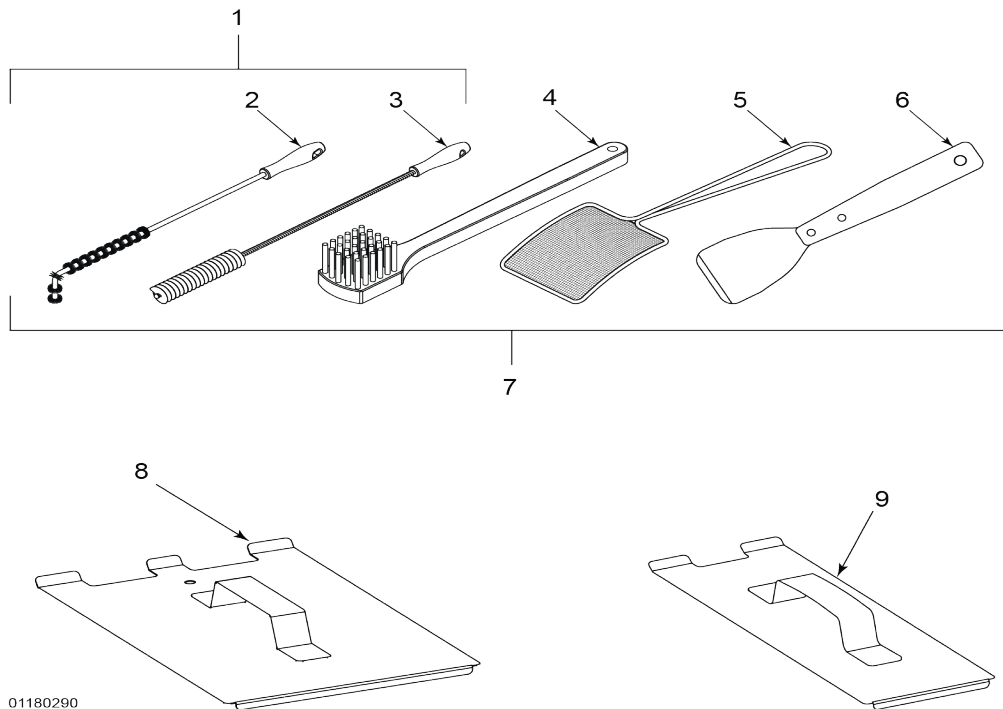
Item No.	Part No.	Description	Qty.	Stocking Level
9	161395	OFE 512, 513, 514 ATO reservoir (JIB) shelf assembly	1	
10	172898	- Shelf glide service pack (Set of 2)	1	
12	162759	Door magnet	A/R	
13*	161149	OFE 511 ATO reservoir box	1	
-	-	OFE 512, 513, 514 ATO (JIB) jug (See Accessories)	1	
Recommended Parts: A = Truck Stock; B = Dist. Stock * = Not Shown A/R = As Required				



For the most up-to-date parts information, visit <https://parts.hennypennyhelp.com>.

Fryer Accessories and Supplies

Fryer Accessories



01180290

Item No.	Part No.	Description	Use	Qty.
1	12105	Brush set	A brush set containing items 2 and 3 only	-
2	12126	Brush, black, L tipped	Cleans vat corners and bottom	-
3	12112	Brush, white, straight	Scrubs drain and other narrow spaces	-
4	12116	Brush, white, large	General purpose brush for cleaning	-



For the most up-to-date parts information, visit
<https://parts.hennypennyhelp.com>.

Item No.	Part No.	Description	Use	Qty.
5	23850	Skimmer	Removes floating crumbs from cooking oil before filtering	-
6	12160	Scraper	Removes grease, dirt, or other material	-
7	14736	Fryer supply kit	A supply kit containing items 2, 3, 4, 5, and 6	-
8	03624	Full vat cover	Covers a full vat when not in use	-
9	03623	Split vat cover	Covers a split vat when not in use	-
10*	74725	Element lift tool	Raises and holds heating elements during daily filter or cleaning	-
11*	03617	ATO (JIB) jug	Food safe jug to store fresh oil for the Auto Top-Off (ATO) function	-
12*	03156	Tether kit	Tether cable and hardware to attach fryer to a permanent structure	-
13*	81915	Half basket, red handle	Half size basket to cook food products	-
13*	85136	Full basket, red handle	Full size basket to cook food products	-
13*	86907	Half basket, divided, red handle	Half size basket to cook food products	-
14*	157278	Half basket lid, red handle	Half size basket to cook food products	-
15*	ODS310.01	Oil disposal shuttle	Collects and transports used cooking oil for disposal	-



For the most up-to-date parts information, visit
<https://parts.hennypennyhelp.com>.

Item No.	Part No.	Description	Use	Qty.
16*	140638	OFE 51X ODS 300 retrofit kit	Retrofits an existing oil disposal shuttle to be compatible with the F5 fryer	-
* = Not Shown				

Fryer Supplies

Item No.	Part No.	Description	Qty.
-	12074	Smartfilter pad	30 count
-	12076	Smartfilter paper	100 count
-	12088	Prime filter powder	22 lb (10 kg)
-	12090	Prime filter pad	30 count
-	12092	Prime filter powder, 4.8 oz (136 g) packets	90 count
-	12199	Oil test kit	A/R
* = Not Shown			