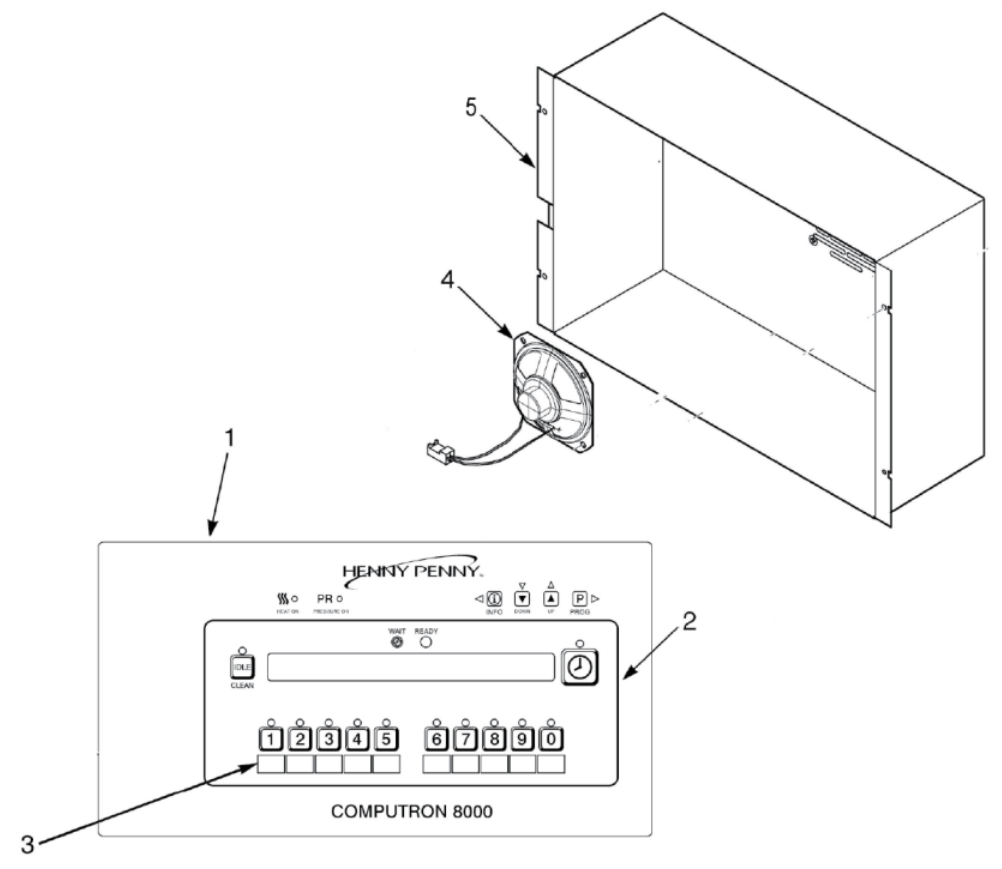




For the most up-to-date parts information, visit
<https://parts.hennypennyhelp.com>.

Computron 8000 Assembly



Item No.	Part No.	Description	Qty.	Stocking Level
1	164947	C8000 control assembly, General Market	1	B
1	164956	C8000 ARM control, Jollibee	1	B
1	164969	Computron 8000 control, Giant Eagle	1	B
1	164957	C8000Pollo Campero control assembly	1	
2	65236	- Control decal	1	



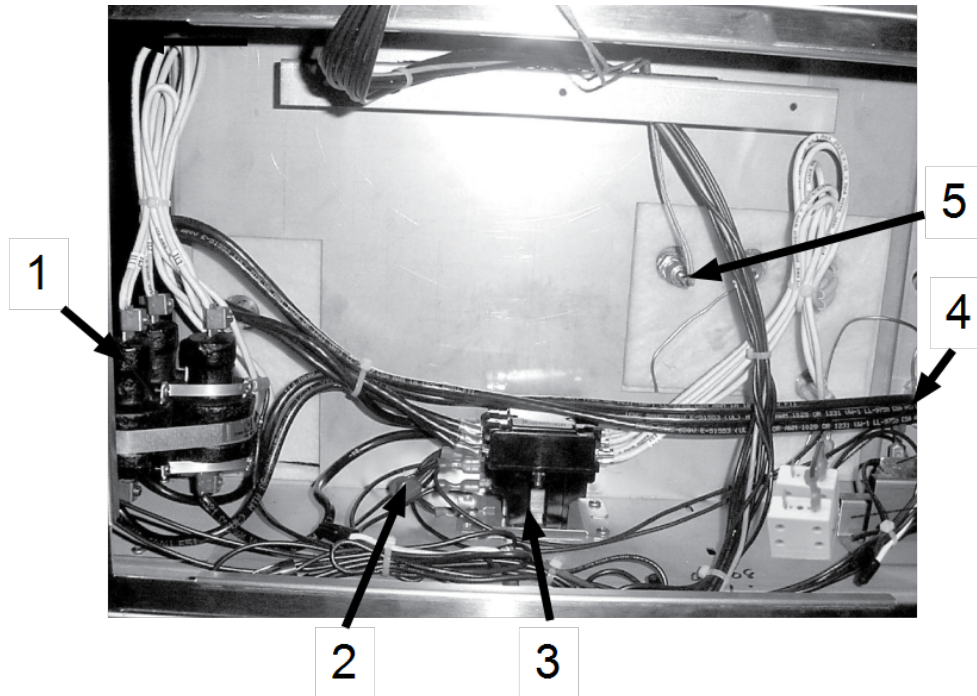
For the most up-to-date parts information, visit
<https://parts.hennypennyhelp.com>.

Item No.	Part No.	Description	Qty.	Stocking Level
3	32634	- Menu card, blank	1	
3	65922	- Menu card, General Market	1	
3	171516	- Menu card, Jollibee	1	
4	26974	Speaker assembly	1	A
5	65661	Control cover stud assembly	1	
6	65893	I/O board assembly	1	
7*	14688	Conversion kit, 290 to 291	1	
7*	14692	Conversion kit, 292 to 291	1	
8*	FA63-005	5AMP, 5MM Fuse, normal blow - Fuse for 65893 I/O Board Assembly	A/R	A
Recommended Parts: A = Truck Stock; B = Dist. Stock * = Not Shown				



For the most up-to-date parts information, visit
<https://parts.hennypennyhelp.com>.

Contacts, Probes, and Electrical Components



Item No.	Part No.	Description	Qty.	Stocking Level
1	29942	Mercury contactor, 208/240 VAC	1	A
1*	65075	E/M¹ heat contactor, 240VAC, CE, UK	1	A
1*	65074	E/M² heat contactor assembly, 220-240VAC, CE	1	A
2	30971	Resistor capacitor assembly	1	A
3	19405	Contactor kit, 208/240 VAC	1	A

¹Electromechanical

²Electromechanical



For the most up-to-date parts information, visit
<https://parts.hennypennyhelp.com>.

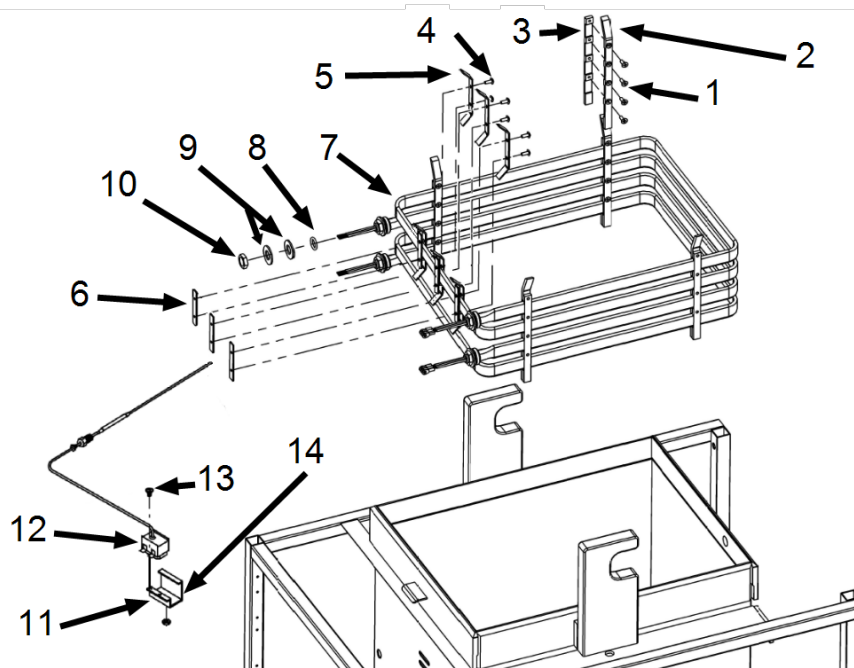
Item No.	Part No.	Description	Qty.	Stocking Level
4	EF02-125	Push button reset breaker,15 AMP	2	A
4	18364	Fuse holder assembly, 15 AMP (SN: BE0608003 & above)	2	A
4	EF02-006	Fuse holder (SN: BE0608002 & below)	2	A
4	EF02-007	Fuse, 15 AMP	2	A
4	EF02-104	Fuse holder, 20A-250VAC, CE (Before 10/4/17)	1	A
4	EF02-105	Fuse, 15 AMP, CE	1	A
5	140084	Temperature probe kit	1	A
Recommended Parts: A = Truck Stock; B = Dist. Stock * = Not Shown				



For the most up-to-date parts information, visit
<https://parts.hennypennyhelp.com>.

Element and High Limit Assembly

Bulb and Cap High Limit Assembly - BE2406016 and Before



Item No.	Part No.	Description	Qty.	Stocking Level
1	SC01-083	Screw, #10-32 x 1/2, CT¹ , FHD	A/ R	
2	35101	Long element support	5	
3	35100	Short element support	5	
4	SC01-074	Screw, #10-32 x 1/2, CT² , THD, S	A/ R	
5	35435	High limit probe bracket	3	

¹Crosstip screwdriver required

²Crosstip screwdriver required



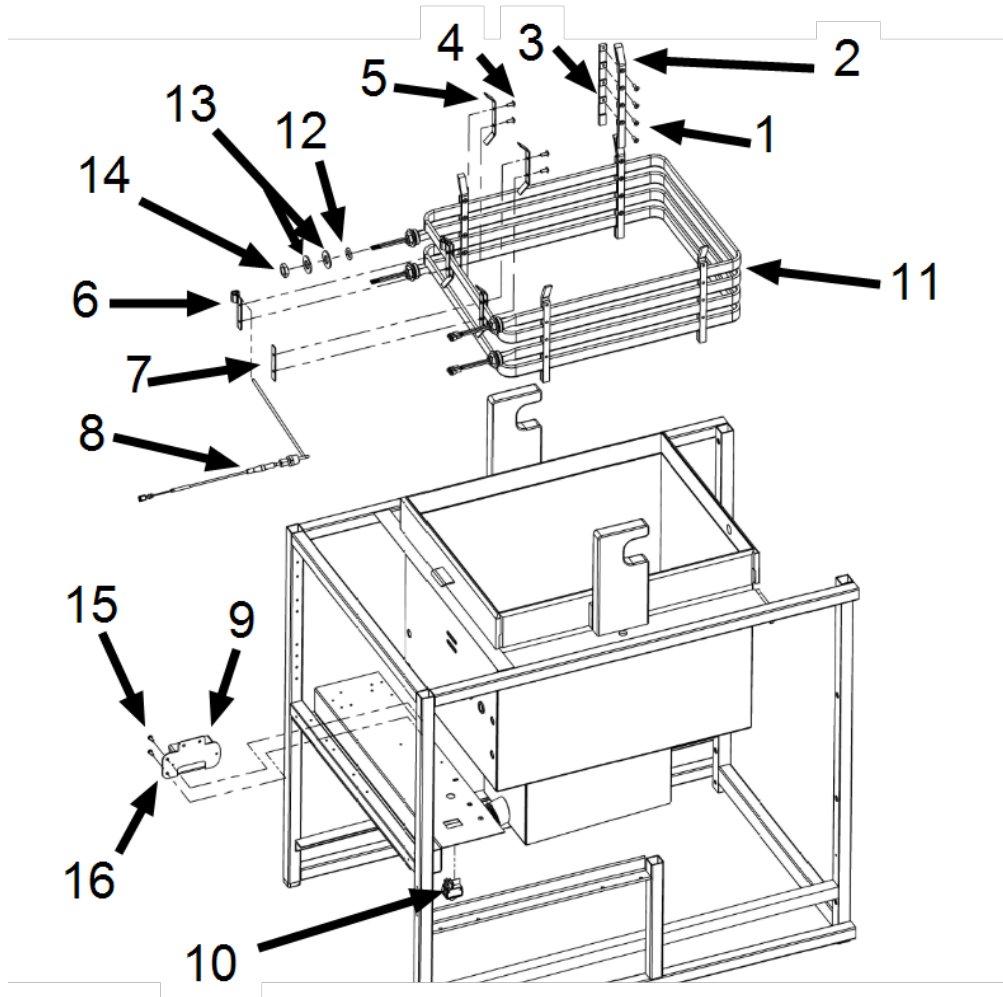
For the most up-to-date parts information, visit
<https://parts.hennypennyhelp.com>.

Item No.	Part No.	Description	Qty.	Stocking Level
6	35462	High limit probe bracket	3	
7	35234	Heating element assembly, 8.5 KW 208 VAC	2	B
7	35598	Heating element, 8.5 KW 240 VAC	2	B
7	48367	Heating element, 230 VAC (Int'l Only)	2	B
7	36290	Heating element, 220 VAC (Int'l Only)	2	B
8	16855	O-ring seal	4	
9	WA01-005	Washer, 5/8 diameter, type A, series N	8	
10	NS01-017	Hex nut, 5/8-18 B	4	
11	17216	High limit bracket	1	
12	16738	High limit, 450° F	1	A
12	60241	High limit, 425° F, CE	1	A
13	SC02-014	Thread forming screw, #8	2	
14	NS02-001	Hex keps nut, #10-32	2	
Recommended Parts: A = Truck Stock; B = Dist. Stock A/R = As Required				



For the most up-to-date parts information, visit
<https://parts.hennypennyhelp.com>.

Electric Dual High Limit Assembly - BE2406017 and After



Item No.	Part No.	Description	Qty.	Stocking Level
1	SC01-083	Screw, #10-32 x 1/2, CT¹ , FHD	A/ R	
2	35101	Long element support	5	

¹Crosstip screwdriver required



For the most up-to-date parts information, visit
<https://parts.hennypennyhelp.com>.

Item No.	Part No.	Description	Qty.	Stocking Level
3	35100	Short element support	5	
4	SC01-074	Screw, #10-32 x 1/2, CT¹ , THD, S	A/ R	
5	185389	High limit probe bracket, inside	2	
6	35462	High limit probe bracket, front right	1	
7	186841	High limit probe bracket, front left	1	
8	179267	Dual high limit temperature probe	1	A
9	175915-008	Kit-dual high limit module	1	A
10	186156	High limit reset switch	1	A
11	35234	Heating element assembly, 8.5 KW 208 VAC	2	B
11	35598	Heating element, 8.5 KW 240 VAC	2	B
11	48367	Heating element, 230 VAC (Int'l Only)	2	B
11	36290	Heating element, 220 VAC (Int'l Only)	2	B
12	16855	O-ring seal	4	
13	WA01-005	Washer, 5/8 diameter, type A, series N	8	
14	NS01-017	Hex nut, 5/8-18 B	4	
15	SC03-005	Screw, #8 x 1/2, Phillips	A/R	
16	186049	Hi-Limit module bracket	1	
17*	NS02-005	Nut hex keps, #6-32	A/R	

¹Crosstip screwdriver required



For the most up-to-date parts information, visit
<https://parts.hennypennyhelp.com>.

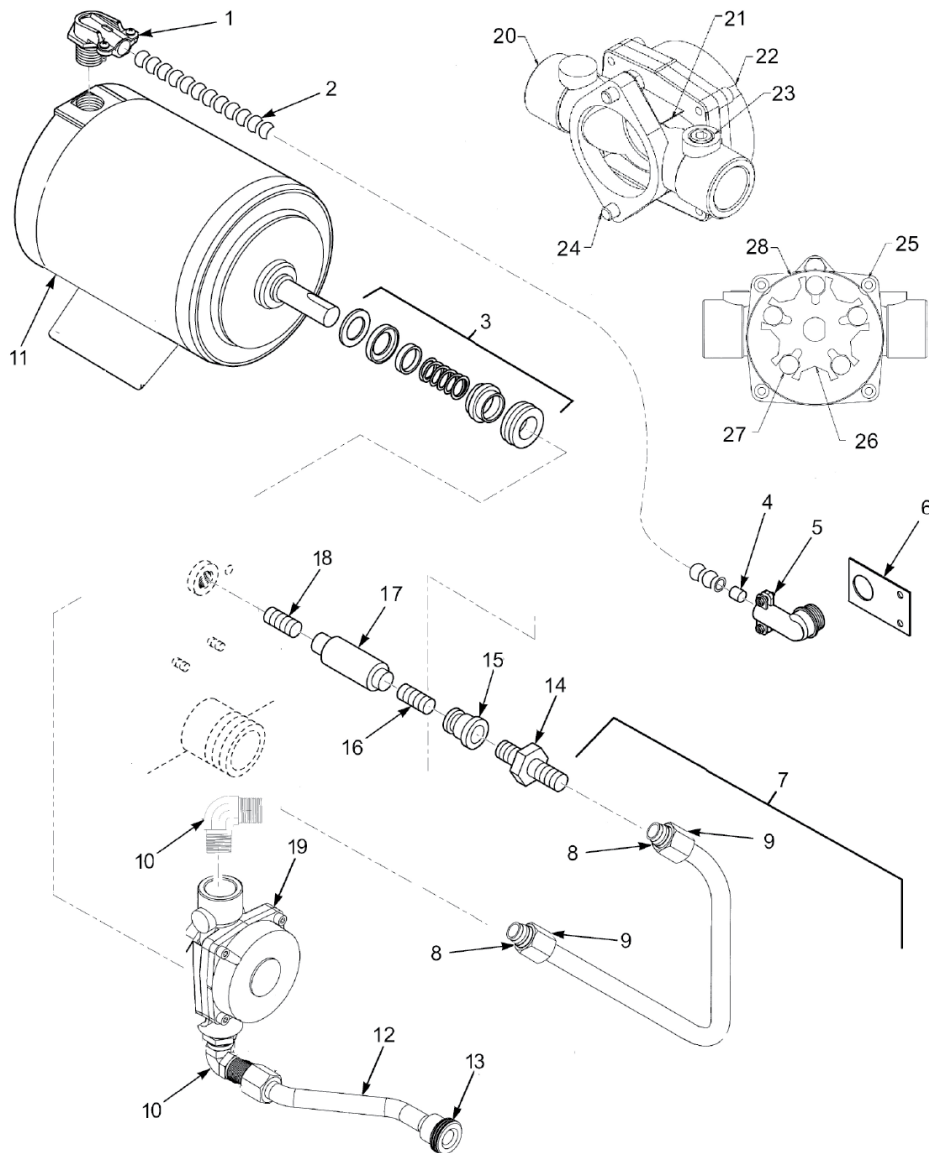
Item No.	Part No.	Description	Qty.	Stocking Level
18*	140848	Kit-29X electric high limit upgrade		
Recommended Parts: A = Truck Stock; B = Dist. Stock A/R = As Required				



For the most up-to-date parts information, visit
<https://parts.hennypennyhelp.com>.

Filter Pump Assembly

(SN: BE0401001 & Below)





For the most up-to-date parts information, visit
<https://parts.hennypennyhelp.com>.

Item No.	Part No.	Description	Qty.	Stocking Level
1	18107	Conduit connector, 3/8 X 90	1	
2	54484	Flexible conduit blower pump	1	
3	17476	Pump seal kit	1	A
4	18105	Anti short, 3/8 inch	2	
5	18644	Conduit connector, 3/8 X 90	1	
6	51831	Pump conduit bracket	1	
7	55836	Oil return line assembly	1	
8	16808	Fitting sleeve	2	
9	16809	Fitting nut	2	
10	17407	Elbow connector, 1/2, male	2	
11	67583	Filter pump motor	1	A
12	14669	Filter pump return line kit	1	
13	69289	Filter union assembly	1	A
14	16807	Fitting connector, male	1	
15	FP01-122	Reducer, 3/8 to 1/2	1	
16	FP02-024	Close nipple, 3/8	1	
17	35472	Pressure check valve	1	A



For the most up-to-date parts information, visit
<https://parts.hennypennyhelp.com>.

Item No.	Part No.	Description	Qty.	Stocking Level
18	FP02-007	Nipple, 3/8 X 1-1/2	1	
19	171168	5 GPM¹ pump sub-assembly	1	B
20	171168	5 GPM² pump sub-assembly	1	B
21		Pump shield and screw not available on Haight pumps		
22	171171	Pump cover	1	A
23	SC01-016	Countersunk hex plug, 1/4	1	A
24		Pump shield and screw not available on Haight pumps		
25	SC01-132	Cap screw, 1/4-20 X 5/8, SOC, HD	4	A
26	171170	Pump rotor	1	A
27	171169	Teflon roller set (set of 5)	1	A
28	162498	Pump gasket o-ring	1	A
29*	N/A	Filter pump and 1/2 HP motor assembly		

Recommended Parts: A = Truck Stock; B = Dist. Stock
*** = Not Shown**

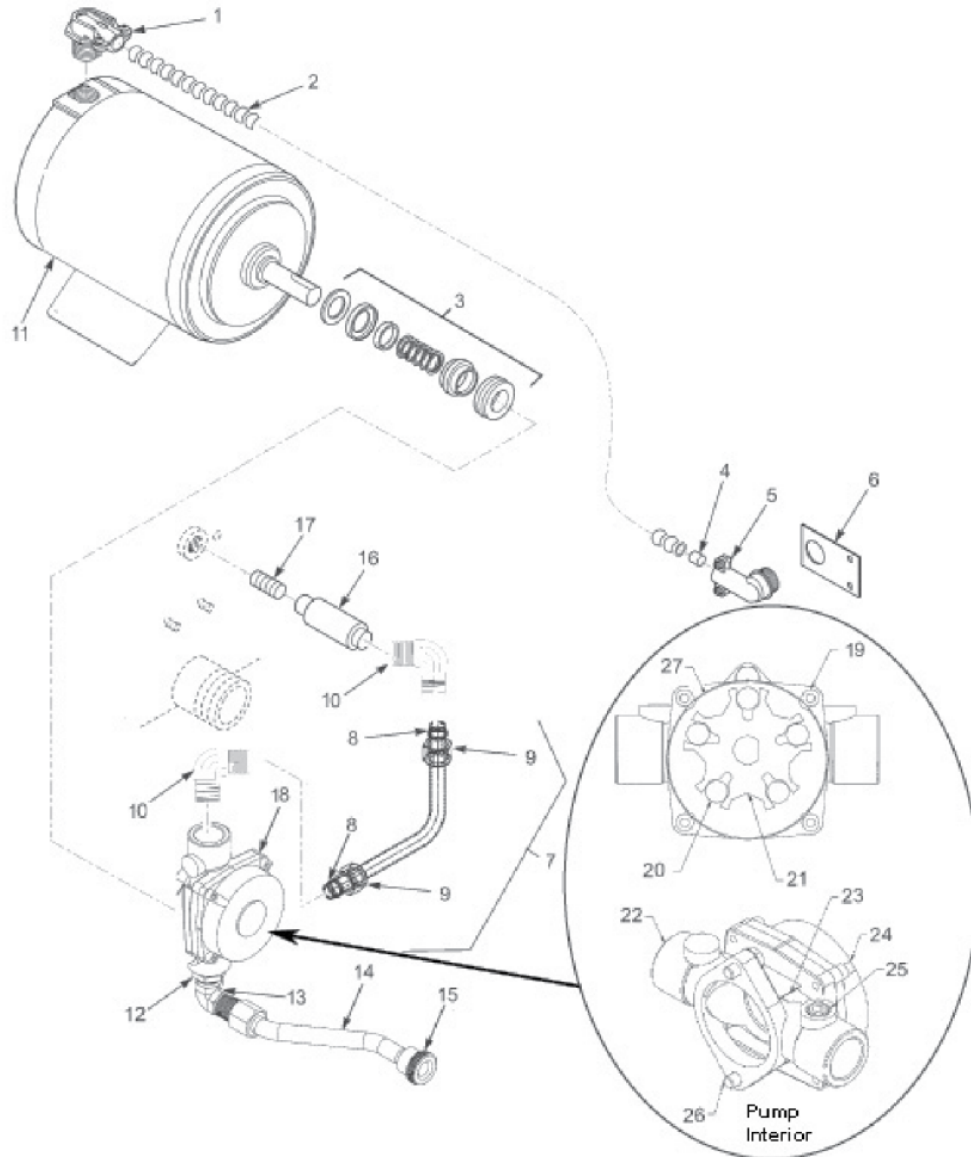
¹Gallon per minute

²Gallon per minute



For the most up-to-date parts information, visit
<https://parts.hennypennyhelp.com>.

(SN: BE0401001 & Above)



Item No.	Part No.	Description	Qty.	Stocking Level
1	18107	Conduit connector, 3/8 X 90	1	



For the most up-to-date parts information, visit
<https://parts.hennypennyhelp.com>.

Item No.	Part No.	Description	Qty.	Stocking Level
2	54484	Flexible conduit blower pump	1	
3	17476	Pump seal kit	1	A
4	18105	Anti short, 3/8 inch	2	
5	18644	Conduit connector, 3/8 X 90	1	
6	51831	Pump conduit bracket	1	
7	66618	Oil return line assembly	1	
8	16808	Fitting sleeve	2	
9	16809	Fitting nut	2	
10	FP01-169	Connection tube, 90 male, 3/4 NPT ¹	2	
11	67583	Filter pump motor	1	A
12	FP01-089	Reducing bushing, 3/4 male tp 1/2 female	1	
13	17407	Elbow connector, 1/2, male	1	
14	62206	Pump to disconnect tube assembly	1	
15	17430 (use 69289)	Fitting union, male	1	
16	21800	Check valve, 3/4	1	A

¹National Pipe Tapered



For the most up-to-date parts information, visit
<https://parts.hennypennyhelp.com>.

Item No.	Part No.	Description	Qty.	Stocking Level
17	FP02-021	Nipple, 3/4 NPT ¹ X 3 inch Large BL	1	
18	162497	8 GPM ² pump subassembly	1	B
19	SC01-132	Cap screw, 1/4-20 X 5/8, SOC, HD	4	A
20	162501	Pump roller set, 8 GPM ³ , Haight pump only, set of 5	1	A
21	162500	Pump rotor, Haight pump only	1	A
22	23647	8 GPM ⁴ pump body	1	A
23		Pump shield and screw not available on Haight pumps		
24		Pump cap not sold separately, order 162497		
25	FP01-020	Hex seal level plug, 1/4-18	1	A
26		Pump shield and screw not available on Haight pumps		
27	162498	Pump gasket o-ring	1	A
28*	N/A	3/4 inch pump and motor assembly		
Recommended Parts: A = Truck Stock; B = Dist. Stock				

¹National Pipe Tapered

²Gallon per minute

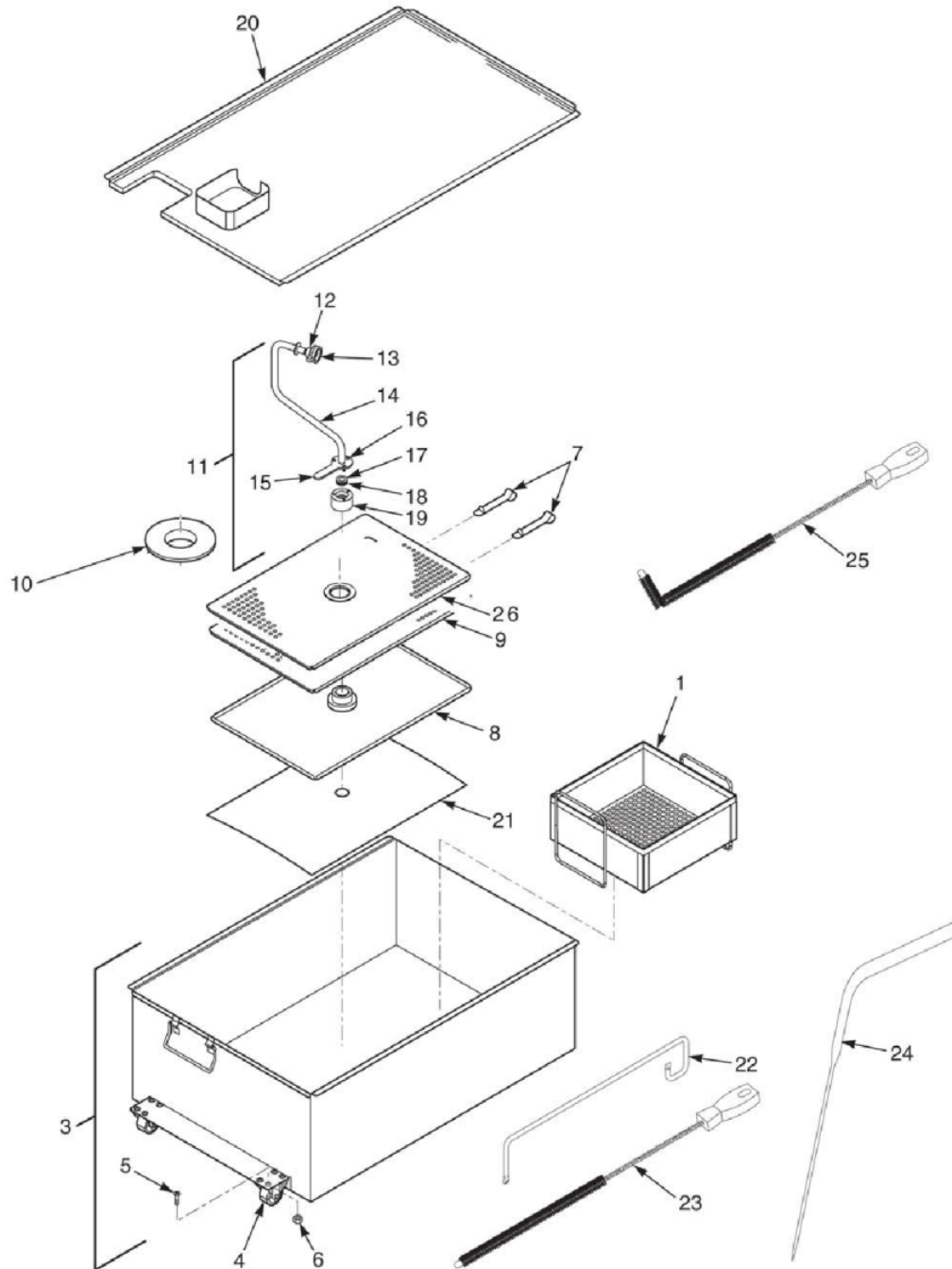
³Gallon per minute

⁴Gallon per minute



For the most up-to-date parts information, visit
<https://parts.hennypennyhelp.com>.

Filter Pan and Filter Assembly





For the most up-to-date parts information, visit
<https://parts.hennypennyhelp.com>.

Item No.	Part No.	Description	Qty.	Stocking Level
1	52194	Crumb catcher, optional	1	
2	03204	Crumb catcher basket with handle, optional	1	
2	-21010	-Crumb catcher basket assembly	1	
2	-21471	-"Cold zone" crumb catcher basket assembly	1	
2	24429	Crumb basket handle	1	
3	52496	Filter pan assembly	1	
4	-52487	-Caster	2	
5	-SC01-009	-Screw, 1/4-20 X 1/2	8	
6	-NS02-002	-Nut, 1/4-20	8	
7	17505	Filter clips	2	
8	17503 (use 14674)	Bottom filter screen (SN: BE0503009 and below)	1	
8	65447	Bottom filter screen (SN: BE0503010 and above)	1	
9	17502 (use 14674)	Top filter screen (SN: BE0503009 and below)	1	
10	36305	Washer and standpipe	1	



For the most up-to-date parts information, visit
<https://parts.hennypennyhelp.com>.

Item No.	Part No.	Description	Qty.	Stocking Level
11	24212	Standpipe assembly (SN:BE0503009 and below)	1	
11	14658	Pick-up tube kit (SN BE0503010 and above)	1	
12	69289	Fitting union, male	1	A
13	-69289	-Fitting union, handle	1	A
14	-24211	-Filter tube and washer weldment	1	
15	-23740	-Standpipe handle	1	
16	-SC01-245	-Screw, 10-32 X 1/2	3	
17	-23804	-Filter nut insert	1	
18	-OR01-007	-Filter nut insert o-ring	1	
19	-23803	-Filter nut (SN:BE0503009 and below)	1	
19	-66535	-Filter nut, SS ¹ (SN BE0503010 and above)	1	
20	62082	Filter pan cover assembly	1	
21	12102	Filter envelope paper (100 per carton)	1	B
21	12087	Filter envelope paper, 13.75 X 19.75 inch (60 per carton)	1	

¹Stainless steel



For the most up-to-date parts information, visit
<https://parts.hennypennyhelp.com>.

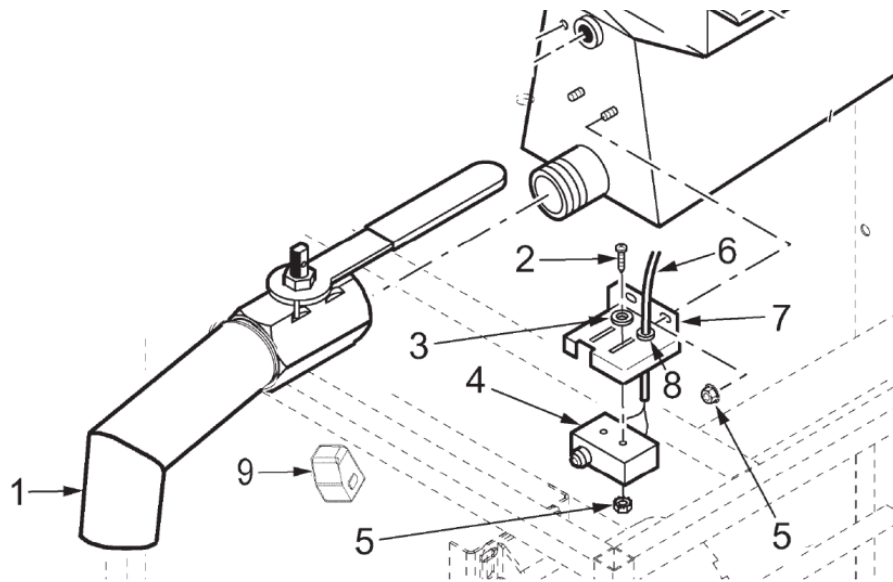
Item No.	Part No.	Description	Qty.	Stocking Level
22	65776	Long clean out rod	1	B
23	52208	Brush	1	B
24	35310	Stirrer	1	
25	12126	Black L-brush	1	B
26	65211	Crumb catcher, SS¹	1	
27*	35771	Clean out brush, 35 inch (89 cm)	1	
28*	14259	Filter rinse hose kit (before LH029JC)	1	
28*	14996	Filter rinse hose kit (11/208 and above)	1	
Recommended Parts: A = Truck Stock; B = Dist. Stock * = Not Shown				

¹Stainless steel



For the most up-to-date parts information, visit
<https://parts.hennypennyhelp.com>.

Drain Valve and Drain Switch Assembly



Item No.	Part No.	Description	Qty.	Stocking Level
1	65520	Drain valve assembly (SN: LG012JC and below)	1	
1	66553	Drain valve assembly (SN: LG013JC and above)	1	
2	SC01-058	Pan screw, #6-32 X 1, CT¹ , HD	2	
3	WA01-006	Washer, #6, type A	2	
4	54228	Drain switch with boot	1	A
5	NS02-005	Hex nut, #6-32	2	
6	52519	Drain interlock cord assembly	1	

¹Crosstip screwdriver required



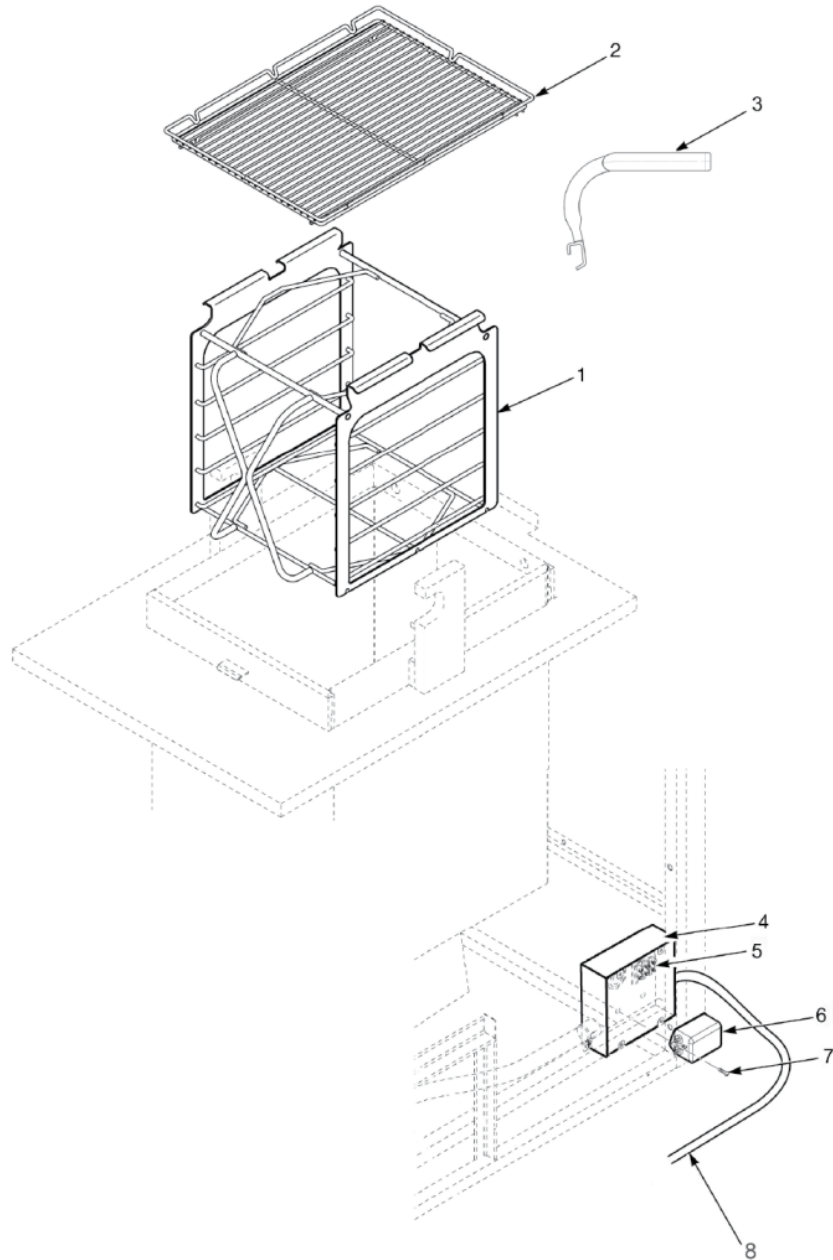
For the most up-to-date parts information, visit
<https://parts.hennypennyhelp.com>.

Item No.	Part No.	Description	Qty.	Stocking Level
7	65522	Switch bracket (before Dec. 29, 2003)	1	
7	67220	Switch bracket (after Dec. 29, 2003)	1	
8	EF02-017	Strain relief	2	
9	67617	Microswitch triggering bracket	1	
10*	76579	Switch cover plate, D/I	1	
Recommended Parts: A = Truck Stock; B = Dist. Stock * = Not Shown				



For the most up-to-date parts information, visit
<https://parts.hennypennyhelp.com>.

Carrier, Racks, and Junction Box Assembly





For the most up-to-date parts information, visit
<https://parts.hennypennyhelp.com>.

Item No.	Part No.	Description	Qty.	Stocking Level
1	67591	Carrier assembly	1	
2	44782	Half size rack	5	
3	35308	Rack handle weldment	1	
4	62126	Junction box assembly	1	
*	-62106	-Junction box	1	
*	-55146	-Terminal block rail	1	
*	-55143	-Terminal block, 12mm	4	
*	-55144	-Terminal block ground, 16mm	1	
*	-40761	-Terminal block end stop	2	
*	-41595	-Terminal block card label	10	
*	-EF02-101	-Conduit connector, 1 inch	1	
*	-SC01-006	-Screw #10-32 X 3/8, PH, PHD	2	
*	-NS02-001	-Hex nut, keps #10-32	2	
4	62127	Junction box assembly, CE	1	
4	-65427	-5-pole terminal block assembly, CE	1	
5	-62106	-Machined junction box	1	



For the most up-to-date parts information, visit
<https://parts.hennypennyhelp.com>.

Item No.	Part No.	Description	Qty.	Stocking Level
6	-51057	-EMC filter assembly, CE	1	B
7	-SC01-023	-Screw, #6-32 X 1/4, CT ¹ , RHD ²	8	
8	65180	Main power cord assembly	1	
8	65181	Power cord	1	
9*	58146*	Plug,90, 60A, 3PH, 250VAC, #15-60P	1	
10*	37560*	Receptacle, #15-60R	1	
11*	21519*	Wire rack cover, optional	4	
12*	36404	Wire basket	1	
13*	36374	Basket handle for 36404	1	
14*	19923	Large transformer, 480VAC	1	
Recommended Parts: A = Truck Stock; B = Dist. Stock * = Not Shown				

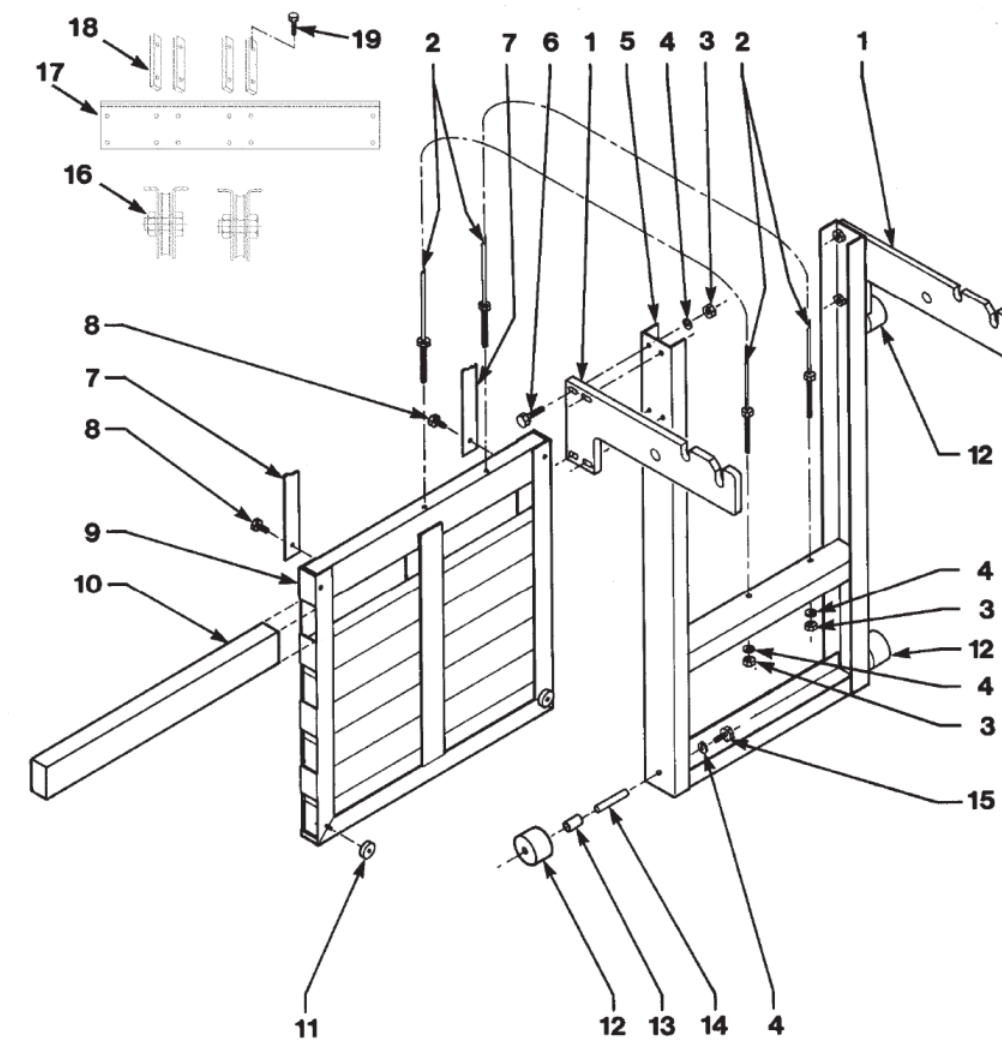
¹Crosstip screwdriver required

²Head raised above surface



For the most up-to-date parts information, visit
<https://parts.hennypennyhelp.com>.

Counterweight Assembly



Item No.	Part No.	Description	Qty.	Stocking Level
1	35026	Lid support arm	2	
2	140225	Cable kit (2 cables)	1	A
3	NS01-025	Hex nut, 5/16-18, Stainless steel	10	



For the most up-to-date parts information, visit
<https://parts.hennypennyhelp.com>.

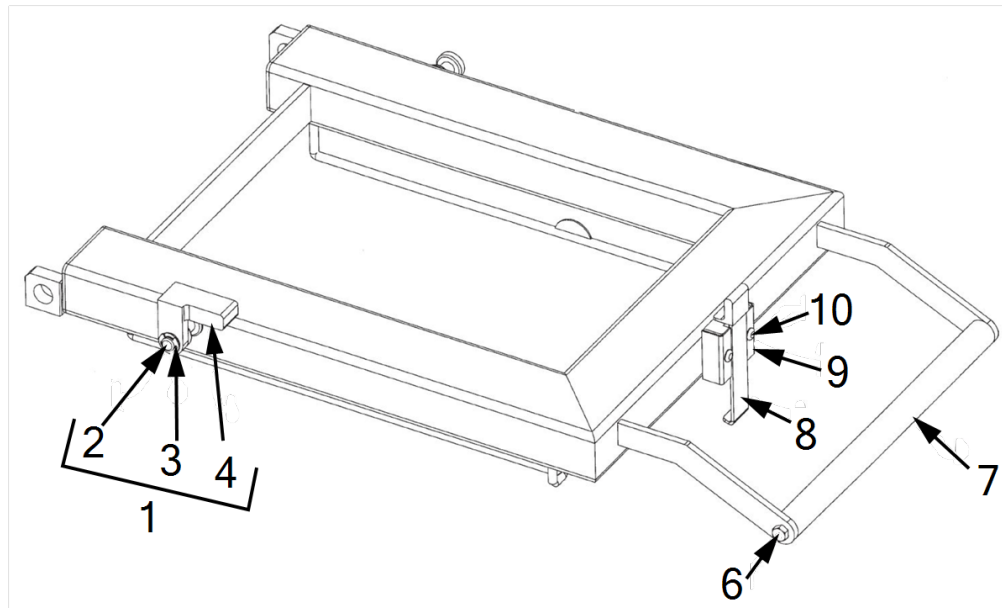
Item No.	Part No.	Description	Qty.	Stocking Level
4	LW01-010	Split ring washer, 3/8, Stainless steel	10	
5	35092	Carriage	1	
6	SC01-069	Hex screw, 3/8-16 X 1-1/2, S2P	8	
7	36839	Nylatron slide	2	
8	SC01-042	Hex screw, 3/8-16 X 1	2	
9	36625	Counterweight carriage weld assembly	1	
10	36627	Counterweight bar	4	
11	36626	Counterweight frame spacer	2	
12	67099	Carriage wheel	4	
13	37363	Carriage wheel spacer	4	
14	37364	Spindle	4	
15	SC01-081	Hex screw, 3/8-24 X 3/4, Stainless steel	4	

Recommended Parts: A = Truck Stock; B = Dist. Stock
*** = Not Shown**



For the most up-to-date parts information, visit
<https://parts.hennypennyhelp.com>.

Lid Assembly



Item No.	Part No.	Description	Qty.	Stocking Level
1	183138	Service kit, lid stop	1	
2	-RR01-004	Retaining ring, 1/2 inch	1	
3	-WA01-020	Washer, ID ¹ 0.513, OD ² 0.750, thick 0.05	1	
4	-51531	Cast lid stop	1	
5*	-96405	Hex screw, 1/4 x 0.656 SHLDR	1	
6	SC01-041	Hex screw, 5/16 inch, 18 x 1 HD C	2	

¹Inner diameter

²Outer diameter



For the most up-to-date parts information, visit
<https://parts.hennypennyhelp.com>.

Item No.	Part No.	Description	Qty.	Stocking Level
7	55754	Handle weld assembly	1	
8	55756	Sleeve latch assembly, coated	1	
9	59169	Lid latch bracket	1	
9*	-52498	-Lid latch spring	1	
9*	-51707	-Lid latch bracket	1	
10	SC01-248	Screw, 10-32 x 1.25, CT¹ , THD, SS²	2	
11*	79223	Vat cover	1	
Recommended Parts: A = Truck Stock; B = Dist. Stock * = Not Shown				

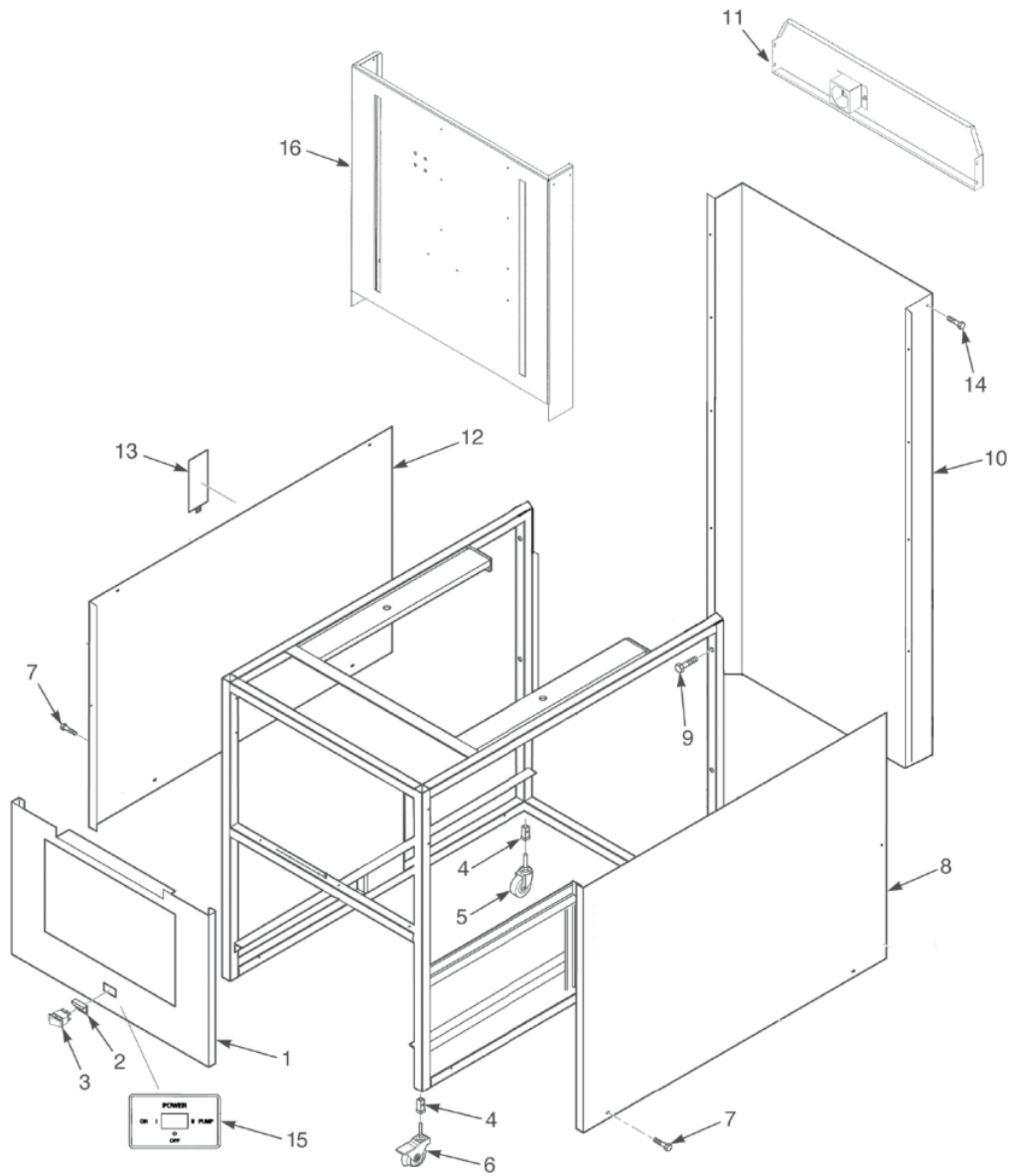
¹Crosstip screwdriver required

²Stainless steel



For the most up-to-date parts information, visit <https://parts.hennypennyhelp.com>.

Frame and Cover Assembly



Item No.	Part No.	Description	Qty.	Stocking Level
1	39796	Control panel front weldment	1	



For the most up-to-date parts information, visit
<https://parts.hennypennyhelp.com>.

Item No.	Part No.	Description	Qty.	Stocking Level
2	53669	Power switch guard	1	
3	29898	Power switch	1	A
3*	176400	- Power switch cover (CE)	1	A
4	54225	Machine leg insert, 1 inch	4	
5	53673	Swivel caster, 4 inch	2	
6	37246	Swivel caster with brake, locking	2	
7	SC03-005	Screw, #8 x 1/2 inch, PH, PHD	4	
8	66934	Right side panel	1	
9	SC01-215	Hex screw, 5/16-18 x 2.5 inch, HD	4	
10	37291	Rear shroud access assembly	1	
11	35726	Rear shroud top cover	1	
12	66933	Left side panel	1	
12	14457	Sound deadening kit	n/a	Not Sold
13	36337	Access door	1	
14	SC02-023	Screw, #8-B x 3/8 inch, CT¹ , THD, SS²	5	
15	75696	Power/pump label, English	1	

¹Crosstip screwdriver required

²Stainless steel



For the most up-to-date parts information, visit
<https://parts.hennypennyhelp.com>.

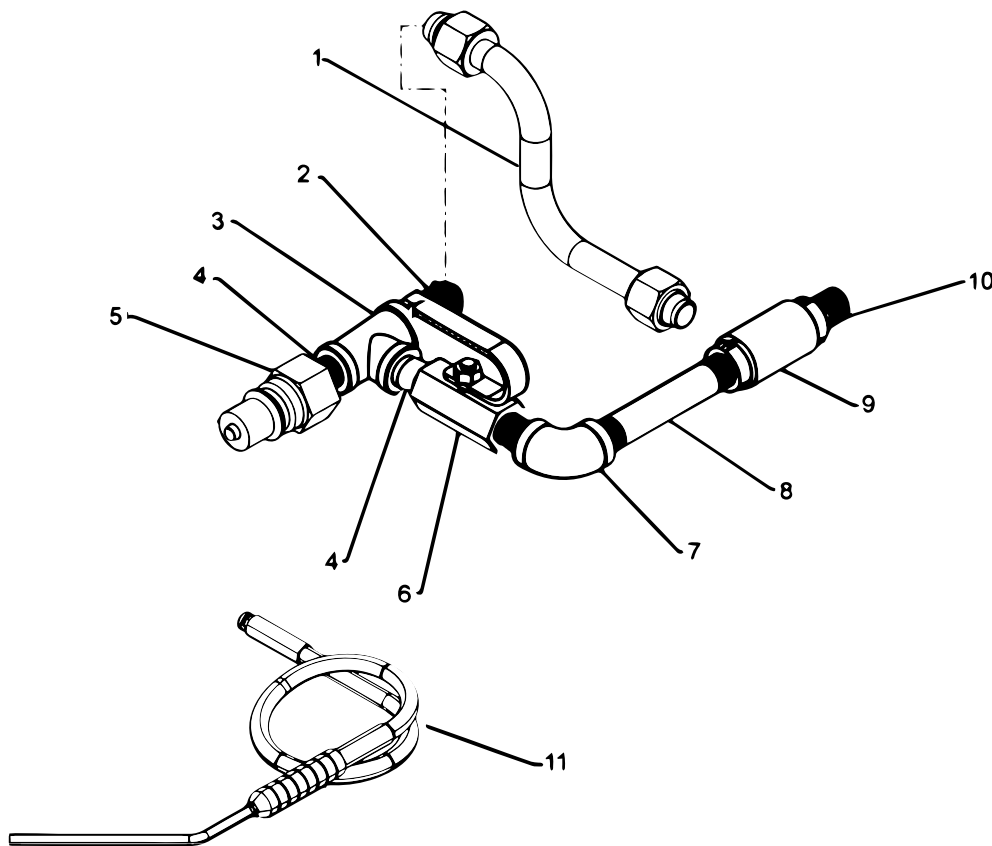
Item No.	Part No.	Description	Qty.	Stocking Level
16	62085	Rear shroud	1	
17*	03156	Tether kit	1	
	12199	Oil test kit	A/R	
Recommended Parts: A = Truck Stock; B = Dist. Stock				



For the most up-to-date parts information, visit
<https://parts.hennypennyhelp.com>.

Optional Rinse Hose Attachments

Below SN: BE0401001



Item No.	Part No.	Description	Qty.	Stocking Level
1	66677	Rinse hose tube assembly	1	
2	16807	Connector fitting, male	1	
3	17306	Pipe tee fitting	1	



For the most up-to-date parts information, visit
<https://parts.hennypennyhelp.com>.

Item No.	Part No.	Description	Qty.	Stocking Level
4	FP02-024	Close nipple, 3/8 NPT¹ , B.I.	3	
5	FP01-133	Elbow, 3/8 NPT² X 45, female	1	
6	17334	Rinse hose disconnect, male	1	
7	FP02-042	Large nipple, 3/8 NPT³ X 2, B.I.	1	
8	59185	Filter valve, small C handle	1	
9	FP02-043	Nipple, 3/8 NPT⁴ X 2.5, B.I.	1	
10	17319	Pipe elbow, 3/8	1	
11	FP01-116	Large nipple, 3/8 NPT⁵ X 4, B.I.	1	
12	35472	Check valve, pressure	1	
13	03003	Detachable hose assembly	1	
13	165333	Filter rinse hose - straight male fitting	1	
13	33494	Filter rinse hose - 90-degree male fitting	1	
13	24904	Filter rinse hose - duel gender male fitting	1	

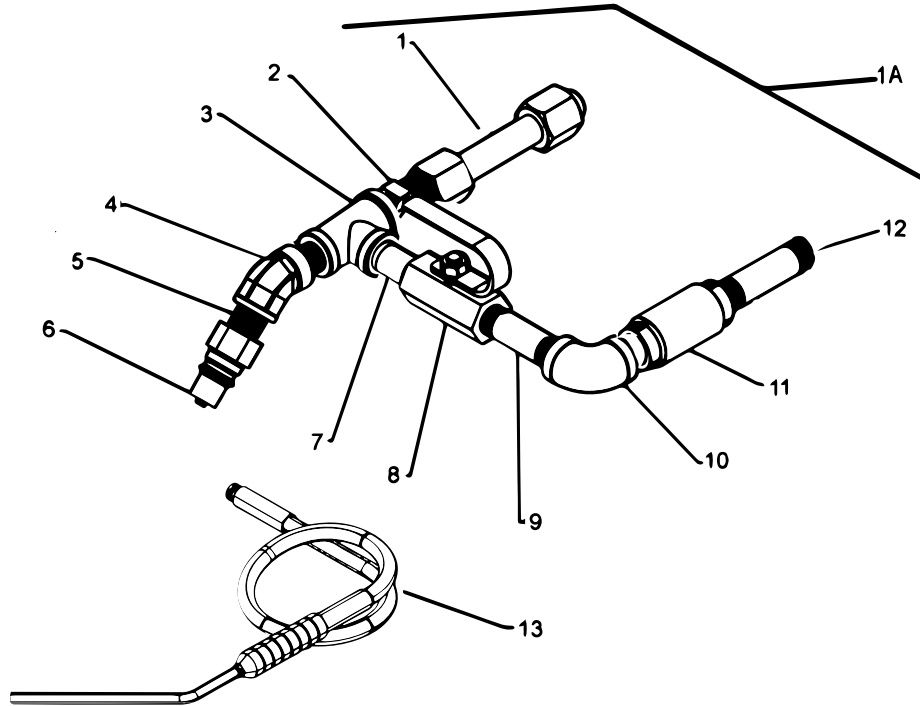
Recommended Parts: A = Truck Stock; B = Dist. Stock
*** = Not Shown**

- ¹National Pipe Tapered
- ²National Pipe Tapered
- ³National Pipe Tapered
- ⁴National Pipe Tapered
- ⁵National Pipe Tapered



For the most up-to-date parts information, visit
<https://parts.hennypennyhelp.com>.

SN: BE0401001 and Above



Item No.	Part No.	Description	Qty.	Stocking Level
1	66450	Pump to valve tube assembly	1	
2	FP01-170	Connector tube, 90 male, 3/4 NPT ¹	1	
3	FP01-171	Tee, 3/8 X 3/4 X 3/4 B. I.	1	
4	FP01-172	Street elbow, 45, 3/8 NPT ² , B.I.	3	
5	FP02-024	Close nipple, 3/8 NPT ³	1	

¹National Pipe Tapered

²National Pipe Tapered

³National Pipe Tapered



For the most up-to-date parts information, visit
<https://parts.hennypennyhelp.com>.

Item No.	Part No.	Description	Qty.	Stocking Level
6	17334	Rinse hose disconnect, male	1	
7	FP02-044	Large nipple, 3/4 NPT¹ X 2, B.I.	1	
8	23430	Inlet valve, 3/4, E34X	1	
9	16282	Close nipple, 3/4	1	
10	FP01-100	Street elbow, 3/4 NPT² B. I.	1	
11	21800	Check valve, 3/4	1	A
12	FP02-021	Large nipple, 3/4 NPT³ X 3 inch B.I.	1	
13	03003	Detachable hose assembly	1	
13	165333	Filter rinse hose - straight male fitting	1	
13	33494	Filter rinse hose - 90-degree male fitting	1	
13	24904	Filter rinse hose - duel gender male fitting	1	
Recommended Parts: A = Truck Stock; B = Dist. Stock * = Not Shown				

¹National Pipe Tapered

²National Pipe Tapered

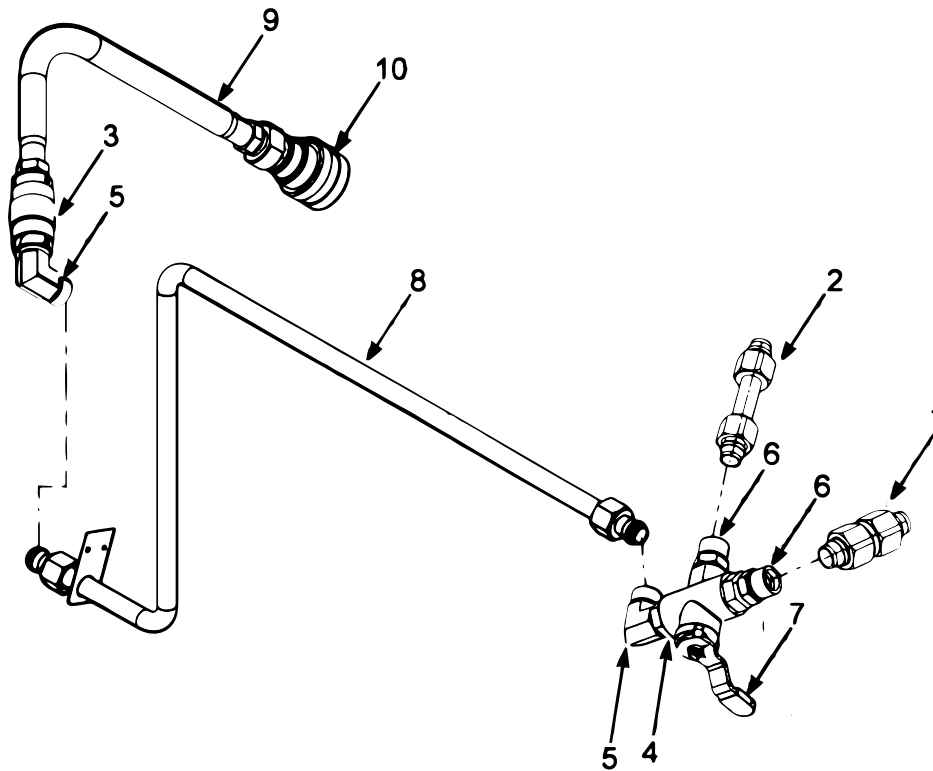
³National Pipe Tapered



For the most up-to-date parts information, visit
<https://parts.hennypennyhelp.com>.

Optional Direct Connect Kit

SN: BE0401001 and Above only



Item No.	Part No.	Description	Qty.	Stocking Level
	14638	Optional direct connect kit	1	
1	67695	DC vat to diverter tube assembly	1	
2	66450	DC diverter to vat tube assembly	1	
3	21800	Check valve, 3/4	1	A
4	68510	Diverter valve without handle, 3/4	2	



For the most up-to-date parts information, visit
<https://parts.hennypennyhelp.com>.

Item No.	Part No.	Description	Qty.	Stocking Level
5	FP01-169	Connection, 90, male, 3/4 tube, 3/4 NPT¹	1	
6	FP01-170	Connection, str, male 3/4 NPT²	1	
7	68126	Direct connection handle	1	
8	67692	Direct connection tube assembly	1	
9	21753	Oil discard hose	1	
10	21612	Disconnect, female	1	
Recommended Parts: A = Truck Stock; B = Dist. Stock * = Not Shown				

¹National Pipe Tapered

²National Pipe Tapered