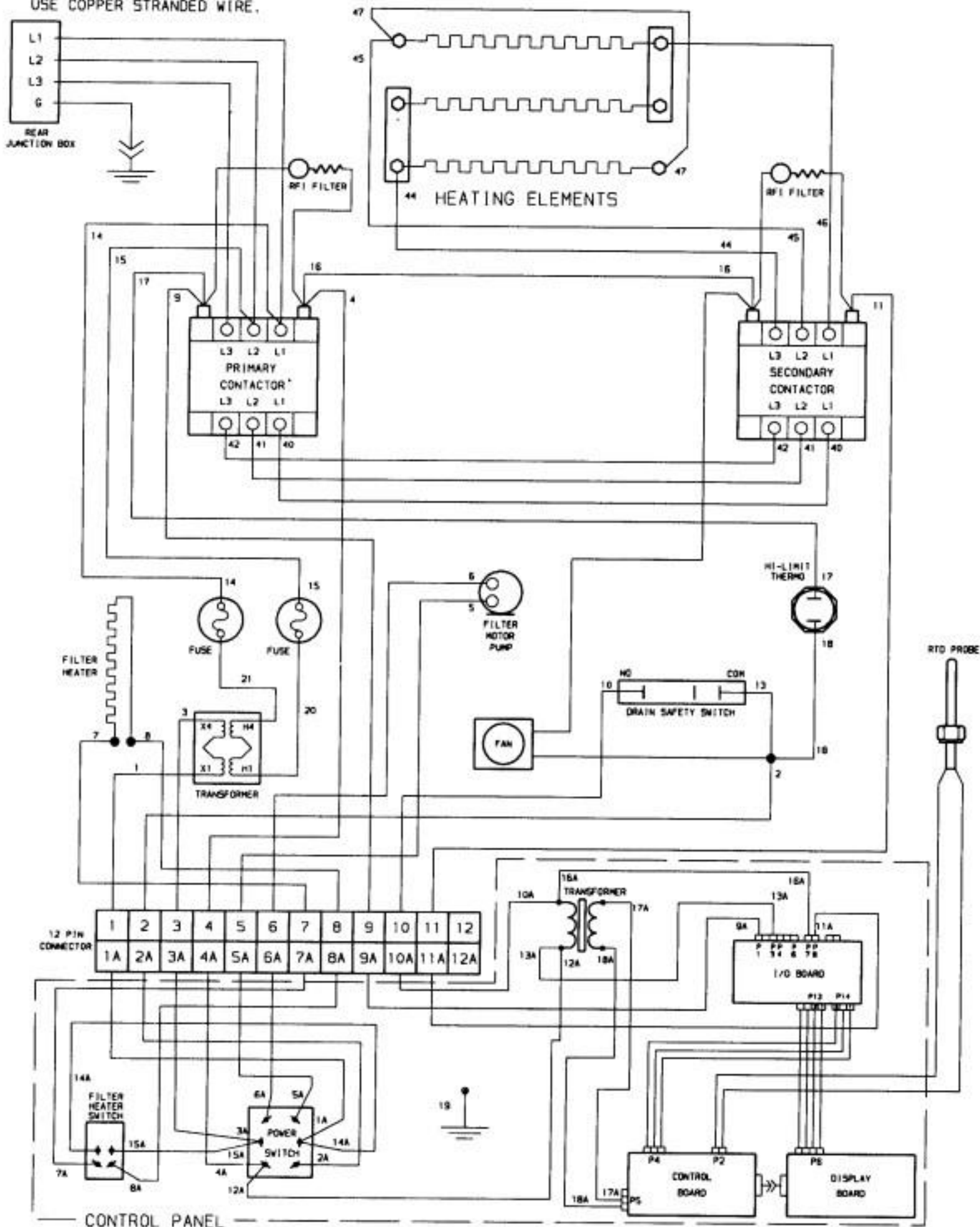


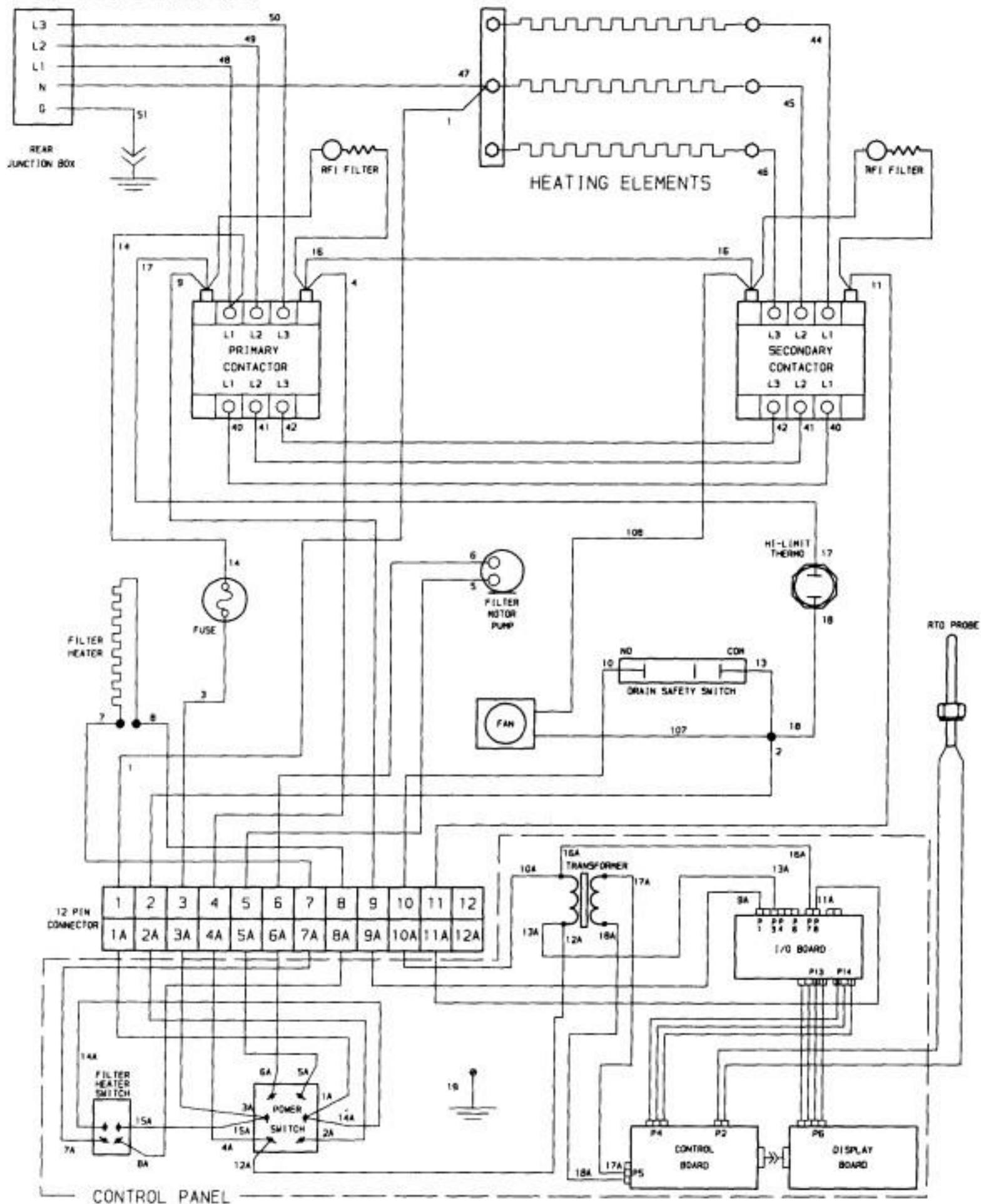
FOR SUPPLY CONNECTIONS
USE COPPER STRANDED WIRE.



CONTROL PANEL

MODEL OE-100A
440/480V, 3PH, 50/60Hz
14.5/23KW 3W + GRND
HENNY PENNY CORP.
EATON OHIO 45320

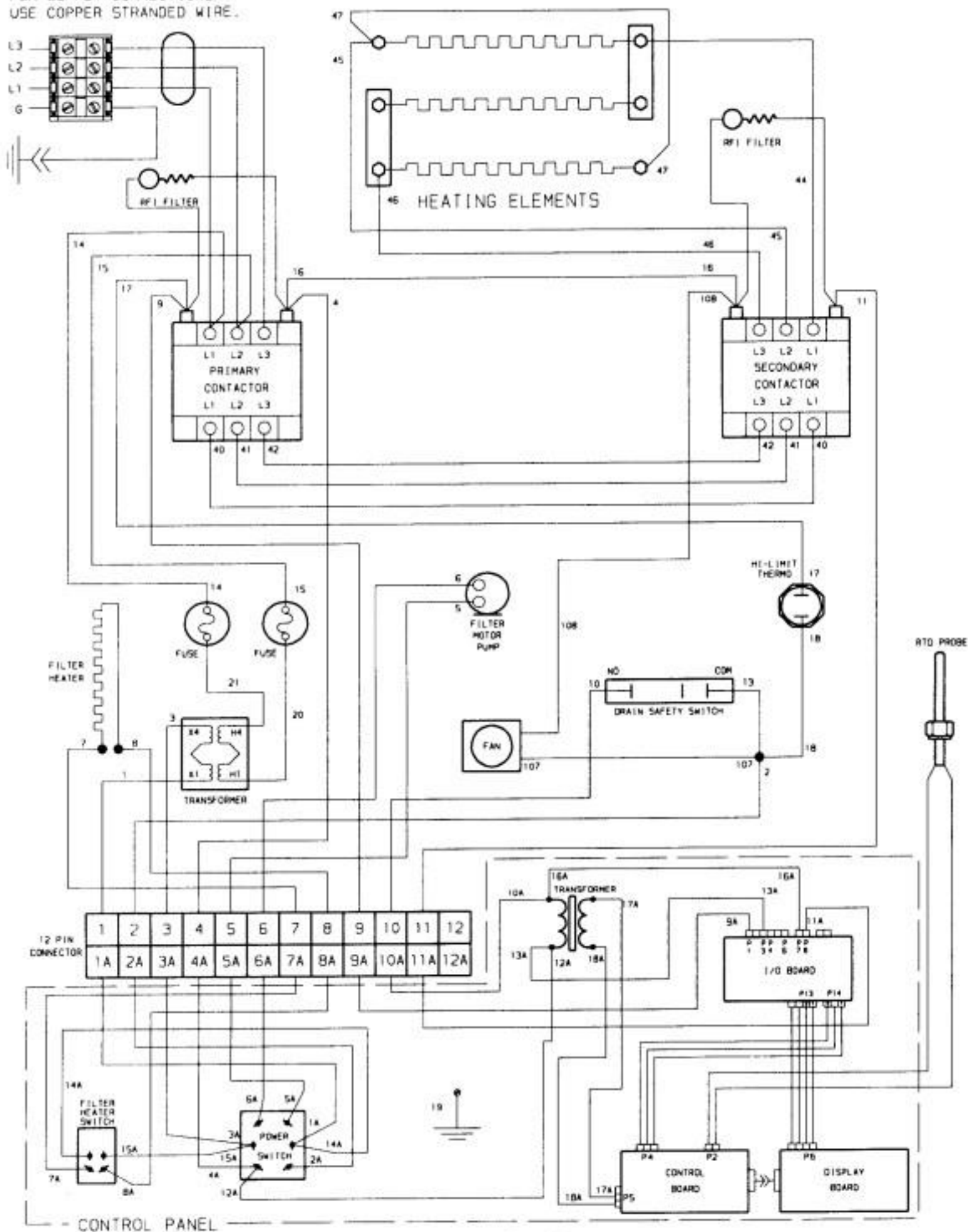
FOR SUPPLY CONNECTIONS
USE COPPER STRANDED WIRE.



MODEL OE-100A
380/415V, 3PH, 50/60Hz
14.5/23KW 3W + GRND
HENNY PENNY CORP.
EATON OHIO 45320

41146

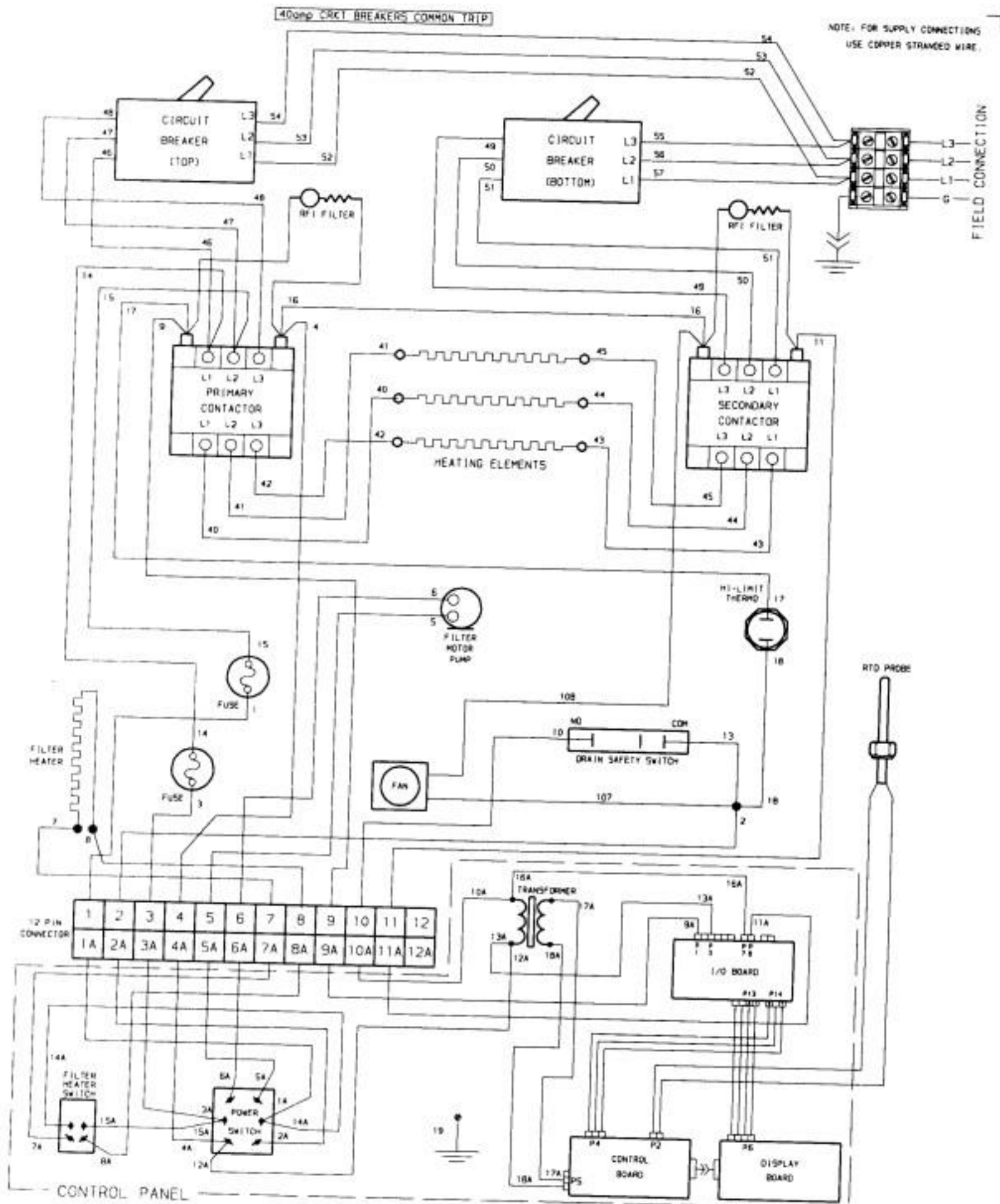
FOR SUPPLY CONNECTIONS
USE COPPER STRANDED WIRE.



- CONTROL PANEL

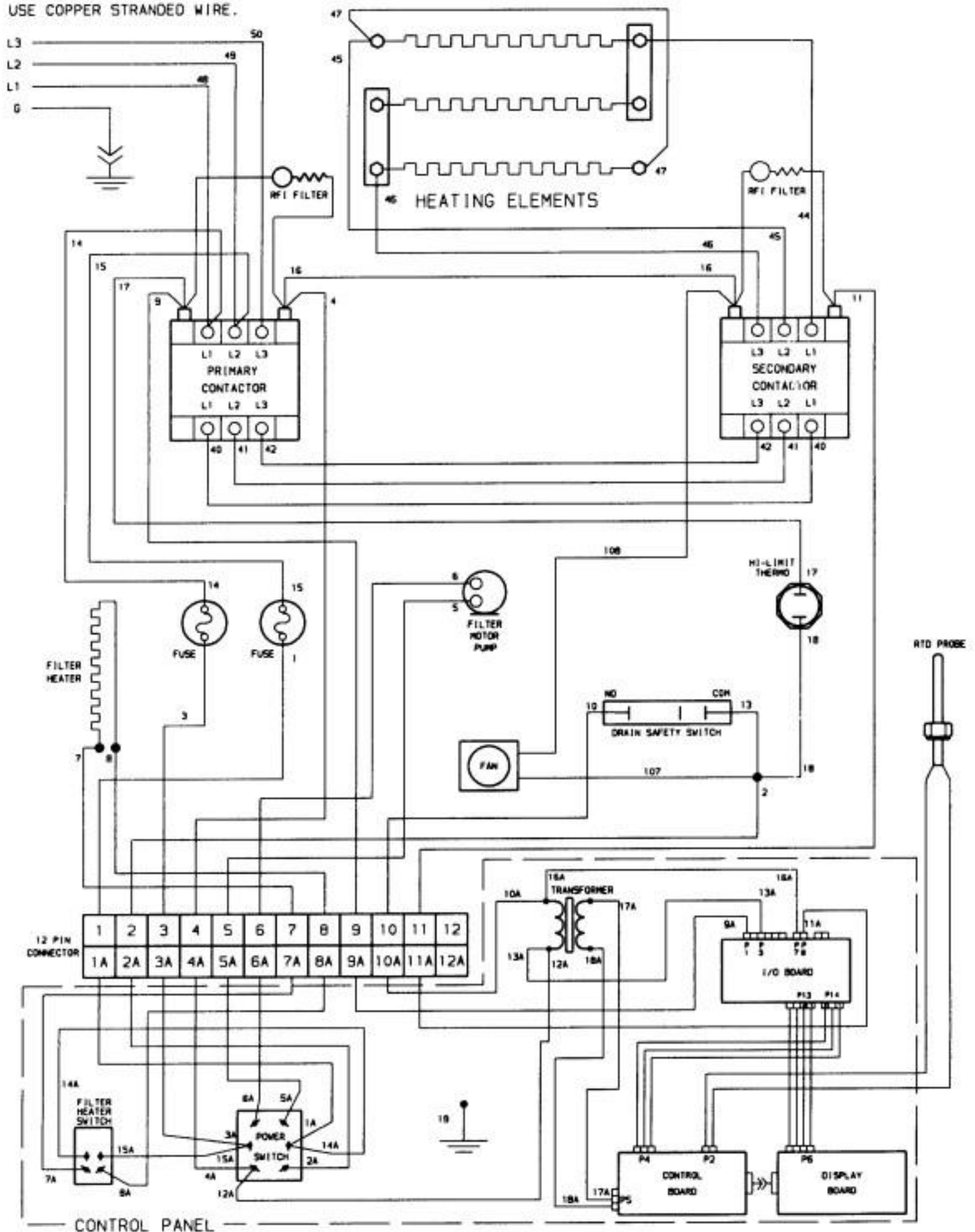
MODEL OE-100A
440/480V, 3PH, 50/60Hz
3W + GRND
HENNY PENNY CORP.
EATON OHIO 45320

54174



MODEL OE-100A
 208/240V, 3PH, 50/60Hz
 23KW, 3W + GRD
 HENNY PENNY CORP.
 EATON OHIO 45320

FOR SUPPLY CONNECTIONS
USE COPPER STRANDED WIRE.



MODEL OE-100A
208/240V, 3PH, 50/60Hz
12.25/14.5KW 3W + GRND
HENNY PENNY CORP.
EATON OHIO 45320

41087