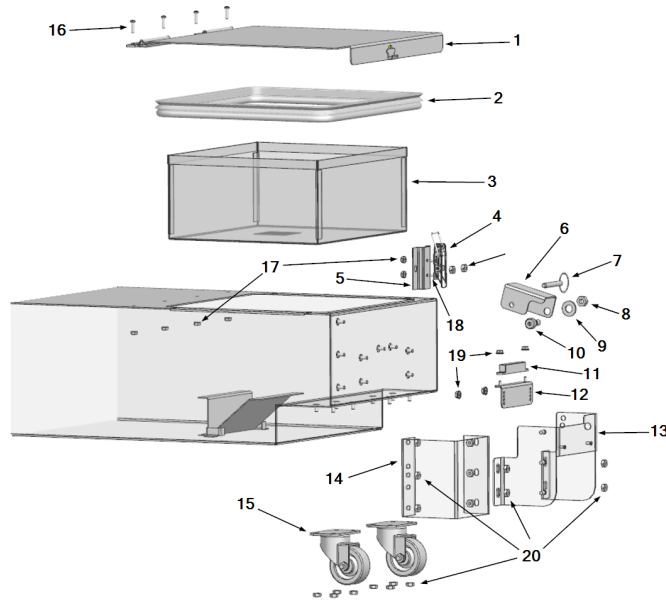




For the most up-to-date parts information, visit
<https://parts.hennypennyhelp.com>.

Front View



Item No.	Part No.	Description	Qty.	Stocking Level
1	163838	Cover	1	
2	84614	Cover seal	1	B
3	84453	Crumb basket	1	B
4	MS01-532	Latch	1	A
5	83994	Latch mounting bracket	1	
6	163804	Upper switch bracket	1	
7	PN01-042	Pin Ring, 1/4 X 1-1/2	1	
8	NS01-039	Lock Nut, 5/16-18	1	
9	WA01-016	Washer, 3/8, type a	1	
10	SC06-073	Screw, 3/8 X 1/4, shoulder	A/R	



For the most up-to-date parts information, visit
<https://parts.hennypennyhelp.com>.

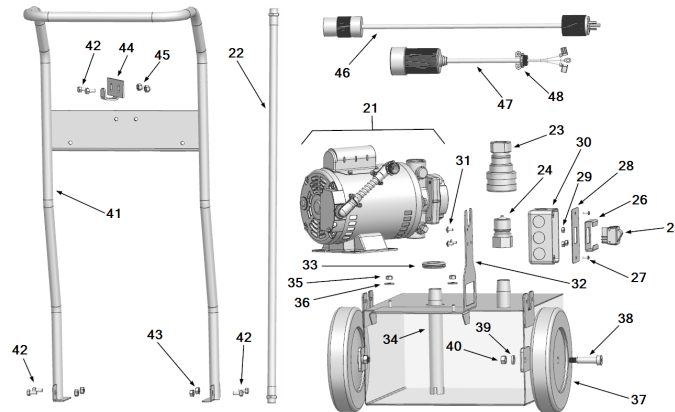
Item No.	Part No.	Description	Qty.	Stocking Level
11	172928	Actuator magnet kit	1	A
12	164385	Magnet bracket	1	
13	163793	Lower left bracket	1	
14	163795	Lower right bracket	1	
15	19004	Caster, 2in, swivel	2	B
16	SC01-113	Screw, 6-32 X 9/16, phillips	A/R	
17	NS02-005	Nut, 6-32, hex keps	A/R	
18	SC01-049	Screw, 6-32 X 3/8, phillips	A/R	
19	NS04-007	Locknut, 6-32, serrated	A/R	
20	NS02-006	Nut, 10-24, hex keps	A/R	

Recommended Parts: A = Truck Stock; B = Dist. Stock
*** = Not Shown**
A/R = As Required



For the most up-to-date parts information, visit
<https://parts.hennypennyhelp.com>.

Rear View



Item No.	Part No.	Description	Qty.	Stocking Level
21		See (Insert Filter pump and motor assy page link)		B
22	21753	Discard hose	1	B
23	21612	Disconnect, 3/4, female	1	B
24	21611	Disconnect, 3/4, male	1	B
25	72277	Power switch	1	A
26	60844	Switch guard	1	
27	SC01-049	Screw, 6-32 X 3/8, phillips	A/R	
28	21635	Junction box cover	1	
29	NS02-006	Nut, 10-24, hex keps	A/R	
30	23459	Junction box	1	
31	SC01-038	Screw, 10-24 X 3/8, phillips	A/R	
32	186762	Junction box mounting bracket	1	



For the most up-to-date parts information, visit
<https://parts.hennypennyhelp.com>.

Item No.	Part No.	Description	Qty.	Stocking Level
33	MS01-583	Grommet	1	
34	88302	Oil pick up nipple	1	
35	NS03-064	Hex Nut, 1/4-20, locking	A/R	
36	WA01-013	Washer, 1/4	A/R	
37	77815	Wheel, 8 in	2	B
38	SC06-074	Screw, 1/2 X 1-1/2, shoulder	A/R	
39	LW01-010	Lockwasher, 3/8, split	A/R	
40	NS01-001	Hex Nut, 3/8-16	A/R	
41	182414	ODS Handle weld assembly	1	
42	SC01-057	Screw, 1/4-20 X 1/2, hex	A/R	
43	NS02-002	Nut, 1/4-20, keps	A/R	
44	88295	Cord hanger bracket	1	
45	NS03-023	Nut, 1/4-20, acorn	A/R	
46	88331	Cord & Plug assembly, 125V, 15A	1	B
*46	183482	Cord & Plug assembly, 250v, 15A	1	B
47	92682	Power switch cord, 125V	1	B
*47	183481	Power switch cord, 250V	1	B
48	EF02-016	Strain Relief, 3/8	1	

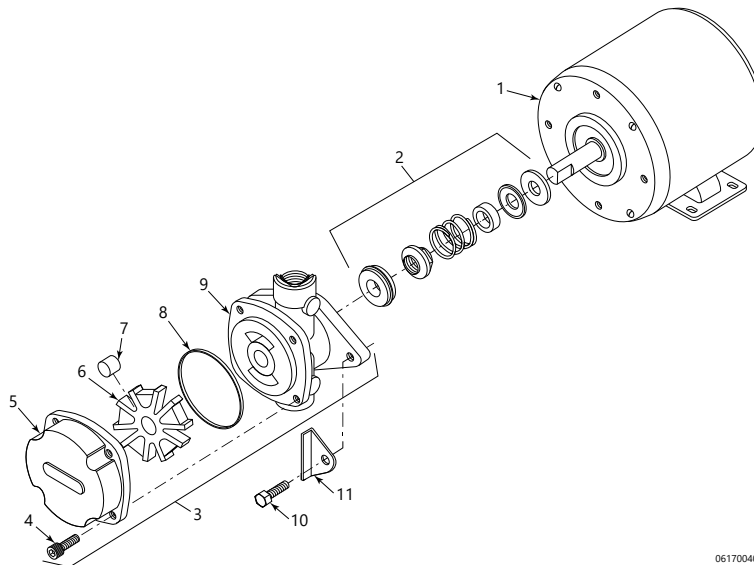
Recommended Parts: A = Truck Stock; B = Dist. Stock
*** = Not Shown**
A/R = As Required



For the most up-to-date parts information, visit
<https://parts.hennypennyhelp.com>.

Filter Pump Motor Assemblies

Flange Mount Filter Pump Motor Assembly



06170040

Item No.	Part No.	Description	Qty.	Stocking Level
4	SC01-132	- Pump cover screw	1	
9	N/A	Pump body not sold separately. Use 171168 .		
Recommended Parts: A = Truck Stock; B = Dist. Stock				



For the most up-to-date parts information, visit <https://parts.hennypennyhelp.com>.

Labels

Item No.	Part No.	Description	Qty.	Stocking Level
49	91258	Hot warning label	1	
50	91259	Shock warning label	1	
51	92643	Caution label	1	
52	92668	Warning label - ENG / FR / SP	1	
53	92798	Danger, Overfill label - ENG / FR / SP	1	
54	91356	Wire diagram label	1	



For the most up-to-date parts information, visit
<https://parts.hennypennyhelp.com>.

Item No.	Part No.	Description	Qty.	Stocking Level
55	N/A	Data Plate - Contact technicalservices@hennypenny.com	1	
<p>Recommended Parts: A = Truck Stock; B = Dist. Stock * = Not Shown A/R = As Required</p>				