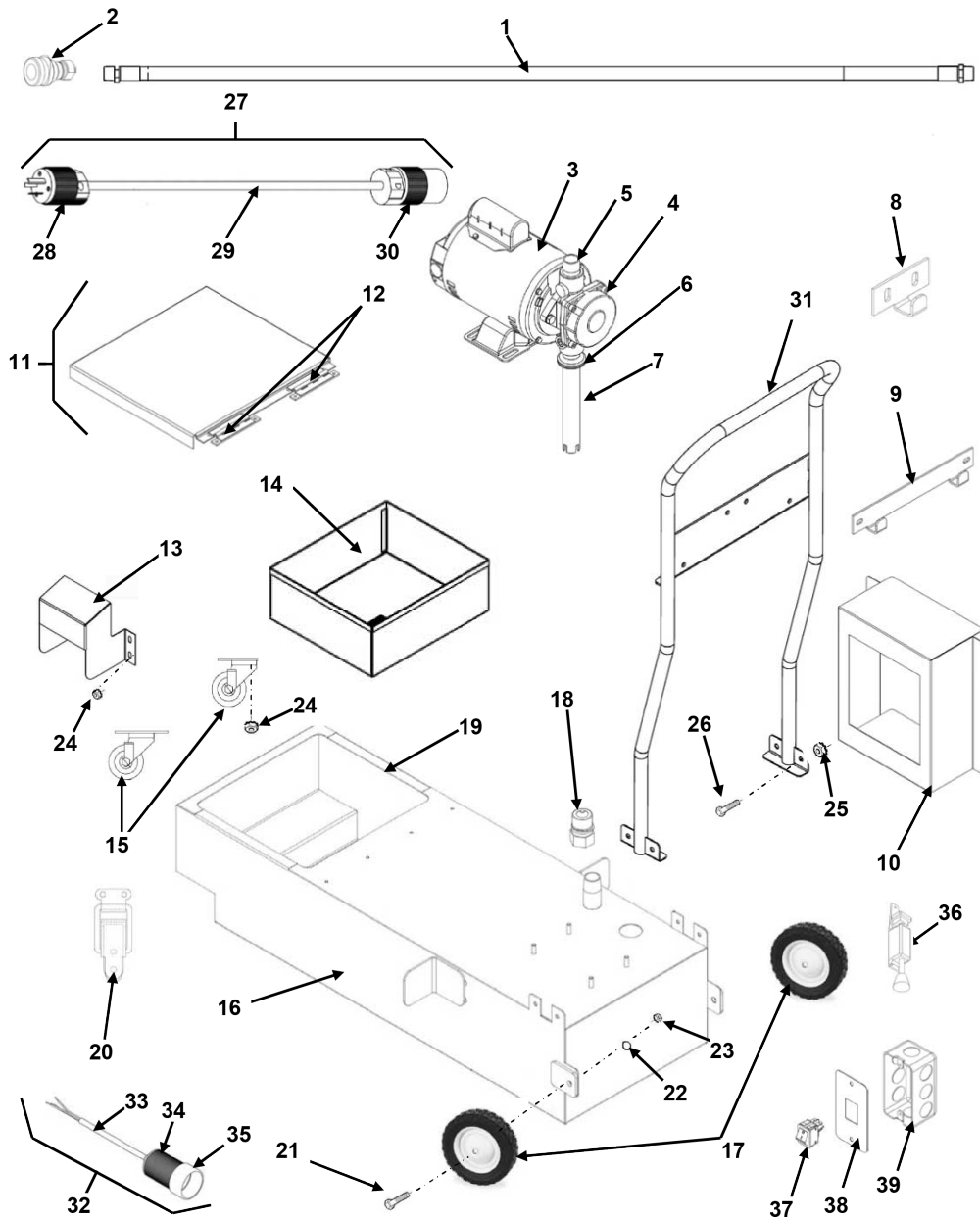




For the most up-to-date parts information, visit <https://parts.hennypennyhelp.com>.

ODS 450 Parts



Item No.	Part No.	Description	Qty.	Stocking Level
1	21753	Filter hose assembly	1	B



For the most up-to-date parts information, visit
<https://parts.hennypennyhelp.com>.

Item No.	Part No.	Description	Qty.	Stocking Level
2	21612	Disconnect, female	1	B
3		See Filter Pump and Motor Assembly		B
4		See Filter Pump and Motor Assembly		B
5	FP02-060	Close nipple, ¾, SS	1	
6	MS01-583	Grommet, high temperature, flexible	1	
7	88302	Oil pick up nipple	1	
8	88295	Cord hanger bracket	1	
9	91044	Funnel hanger bracket	1	
10	88746	Funnel	1	B
11	84001	Drain pan cover assembly	1	
12	-	-Hinge (not sold)	2	
12*	SC01-113	- Screw, #6-32 X 9/16, CT, pan head	4	
12*	NS02-005	- Hex keps nut, #6-32	4	
13	84519	Drain engagement bracket	1	
14	84453	Crumb basket	1	B
15	19004	Swivel caster plate, 2 in	2	B
16	88707	Drain pan weld assembly	1	
17	77815	Wheel, 8 in	2	B
18	21611	Disconnect, male	1	B
19	84614	Cover seal	1	B
20	MS01-532	Latch	1	A



For the most up-to-date parts information, visit
<https://parts.hennypennyhelp.com>.

Item No.	Part No.	Description	Qty.	Stocking Level
20*	SC01-049	Screw, #6-32 X 3/8, CT, pan head	2	
20*	NS02-005	Hex keps nut, #6-32	2	
20*	83994	Latch mounting bracket	1	
21	SC06-074	Shoulder screw, ½ x 1-1/2	2	
22	LW01-010	Split ring lockwasher, 3/8, SS	2	
23	NS01-001	Hex nut, 3/8-16	2	
24	NS02-006	Hex keps nut, #10-24	23	
25	NS02-002	Hex keps nut, 1/4-20	4	
26	SC01-057	Hex screw, ¼-20 x ½	4	
27	88331	Cord and plug assembly, 125 VAC, 15A	1	B
28	42512	-Plug, 125 VAC, NEMA L5-15P	1	
29	MS01-139	-Cable, #16/3, black, 90C jacket	8 ft	
30	91064	-Receptacle, straight blade, 125 VAC, 15A	1	
31	84368	Dolly handle weld assembly	1	
32	92682	Cord assembly, 6 in, 125 VAC, 15A	1	B
33	N/A	- Power cord, 6 in. (contained in item 32. Not sold separately)	1	
34	N/A	- Plug, 125 VAC, 15A, NEMA L5-15P (contained in item 32. Not sold separately)	1	
35	N/A	- Weatherproof boot (contained in item 32. Not sold separately)	1	
36	92009	Dolly brake	1	



For the most up-to-date parts information, visit
<https://parts.hennypennyhelp.com>.

Item No.	Part No.	Description	Qty.	Stocking Level
37	72277	Power switch, splash proof	1	A
38	21635	Junction box cover	1	
39	23459	Junction box	1	
40*	161034	Pump handle	1	
<p>Recommended Parts: A = Truck Stock; B = Dist. Stock * = Not Shown A/R = As Required</p>				



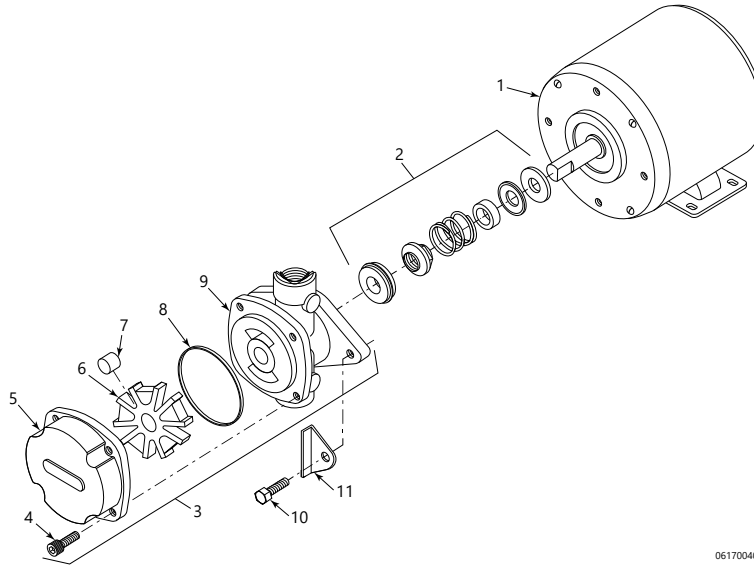
For the most up-to-date parts information, visit
<https://parts.hennypennyhelp.com>.

Filter Pump and Motor Assembly



For the most up-to-date parts information, visit
<https://parts.hennypennyhelp.com>.

Flange Mount Filter Pump Motor Assembly



06170040

Item No.	Part No.	Description	Qty.	Stocking Level
1	67583	Motor, 1/2 HP, 60 Hz	1	A
2	17476	Seal kit	1	A
3	171168	5 GPM pump assembly	1	B
3	162497	8 GPM pump assembly	1	B
4	SC01-132	- Pump cover screw	1	
5	171171	- Pump cover	1	
6	171170	- Pump rotor	1	
7	171169	- Pump roller (set of 5)	1	A
8	162498	- O-ring	1	B
9	N/A	Pump body not sold separately. Use 171168 .		



For the most up-to-date parts information, visit
<https://parts.hennypennyhelp.com>.

Item No.	Part No.	Description	Qty.	Stocking Level
10	SC01-026	Pump motor shield screw	1	
11	17456	Pump motor shield, CE	1	
Recommended Parts: A = Truck Stock; B = Dist. Stock				