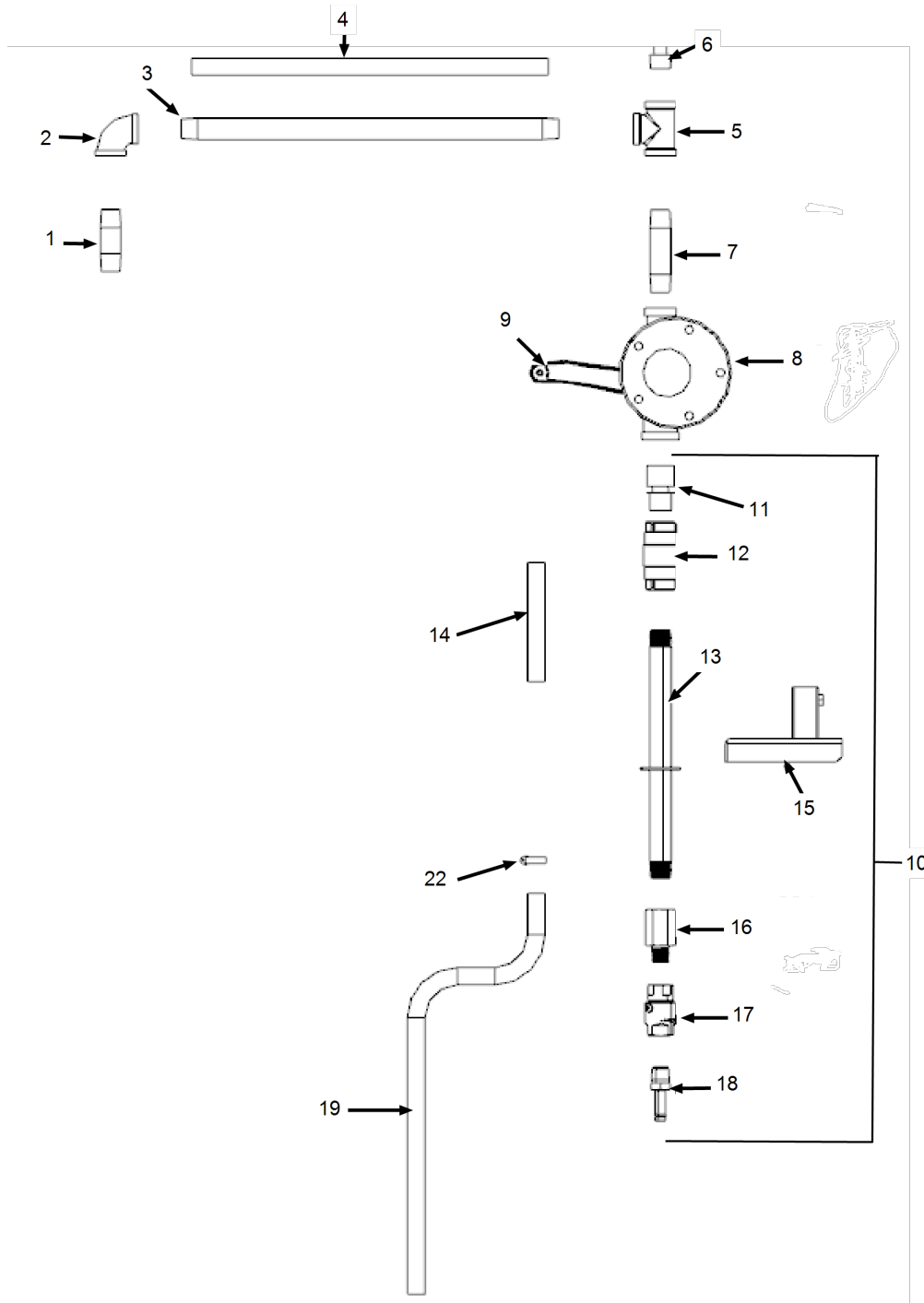




For the most up-to-date parts information, visit
<https://parts.hennypennyhelp.com>.

Plumbing Assembly





For the most up-to-date parts information, visit
<https://parts.hennypennyhelp.com>.

Item No.	Part No.	Description	Qty.	Stocking Level
1	FP02-021	Nipple, 3/4 in. X 3 in.	1	
2	FP01-098	Elbow, 3/4 in. X 90°, female	1	
3	FP02-056	Nipple, 3/4 in. X 18.25 in.	1	
4	76583	Silicone sleeve (slips over FP02-056)	1	
5	FP01-097	Pipe tee, 3/4 in.	1	
6	FP01-140	Pipe plug, 3/4 in.	1	
7	FP02-033	Nipple, 3/4 in. X 4 in.	1	
8	72490	Manual oil discard pump	1	A
9	-161034	-Pump handle	1	
10	173055	Upper standpipe assembly	1	
11	-FP01-298	-Coupling, male 1 in. to female 3/4 in.	1	
12	-21800	-Check valve, 3/4 in.	1	A
13	-172472	-Stop tube	1	
14	-181602	-Silicone sleeve (slips over 172472)	1	
15	-172441	-Tube bracket	1	
16	-187648	-Fitting, 3/4 NPT female to 1/2 NPT male	1	
17	-FP01-382	-Fitting, 1/2 NPT to 1/2 NPT swivel	1	
18	-FP01-384	-Fitting, 1/2 barb-male 1/2 NPT	1	
19	162238-230	Silicone hose, 23 in.	1	
20*	FP01-383	Barb, 1/2 hose X 3/8 NPT (for 162238-230 silicone hose)	1	



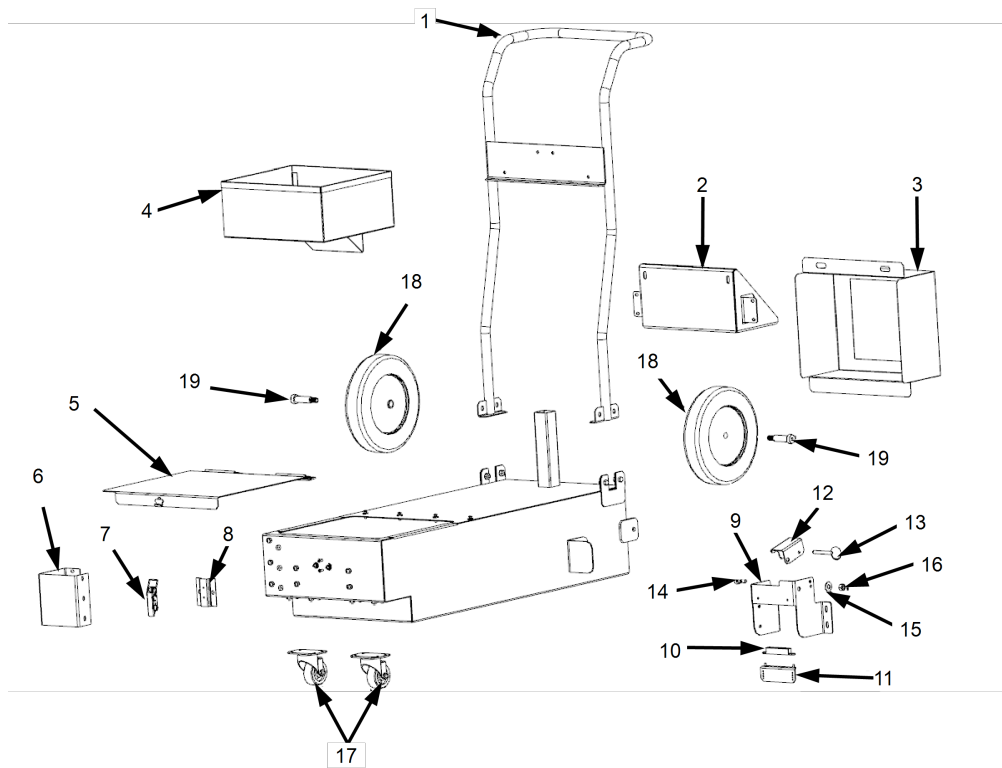
For the most up-to-date parts information, visit
<https://parts.hennypennyhelp.com>.

Item No.	Part No.	Description	Qty.	Stocking Level
21*	161399	JIB oil pickup (for 162238-230 silicone hose)	1	
22	MS01-297	Hose clamp .562 X 1.062, SS (for 162238-230 silicone hose)	1	
23*	SC06-076	M8 X 35mm, black knob, thumb screw (used in 172441 bracket)	1	
Recommended Parts: A = Truck Stock; B = Dist. Stock * = Not Shown A/R = As Required				



For the most up-to-date parts information, visit
<https://parts.hennypennyhelp.com>.

Oil Discard Pan Assembly



Item No.	Part No.	Description	Qty.	Stocking Level
1	182414	Handle	1	
2	172505	Swivel stop bracket	1	
3	88746	Funnel	1	
4	84453	Crumb basket	1	B
5	163837	Drain pan lid assembly	1	B
*	84614	Seal for drain pan lid	1	
6	163795	Drain switch bracket	1	
7	MS01-532	Latch	1	



For the most up-to-date parts information, visit
<https://parts.hennypennyhelp.com>.

Item No.	Part No.	Description	Qty.	Stocking Level
8	83994	Latch mounting bracket	1	
9	163793	Drain switch engagement bracket	1	B
10	172928	Magnet kit (includes nuts & thread locker)	1	
11	164385	Magnet bracket	1	
12	163804	Drain switch engagement latch	1	
13	PN01-042	Pull pin / ring	1	
14	SC06-073	Shoulder crew, 3/8 X 1/4	1	
15	WA01-016	Flat washer, 3/8	1	
16	NS01-039	Lock nut, 5/16-18	1	
17	19004	Swivel caster, 2 inch	2	B
18	77815	Wheel, 8 inch	2	B
19	SC06-074	Wheel mounting screw	2	
*	LW01-010	Split ring washer, 3/8 in. (for wheel mounting)	2	
*	NS01-001	Hex nut, 3/8 in. X 16 (for wheel mounting)	2	
*	NS02-006	Hex nut, keps, #10-24 X 18	18	
*	SC01-057	Screw, 1/4-20 X 1/2, hex head (for handle mounting, stop bracket & tube bracket)	8	



For the most up-to-date parts information, visit
<https://parts.hennypennyhelp.com>.

Item No.	Part No.	Description	Qty.	Stocking Level
*	NS02-002	Keps nut, 1/4-20 (for handle mounting, stop bracket & tube bracket)	8	
*	NS02-005	Hex nut, keps, #6-32 (for latch bracket mounting)	2	
*	SC03-001	Screw, #10 X 1/2 PH, PHD (for stop bracket mounting)	4	
*	SC01-113	Screw, #6-32 X 9/16, PH, PHD, black (for drain pan lid mounting)	4	
*	SC01-049	Screw, #6-32 X 3/8 PH, PHD (for latch mounting)	2	
Recommended Parts: A = Truck Stock; B = Dist. Stock * = Not Shown A/R = As Required				