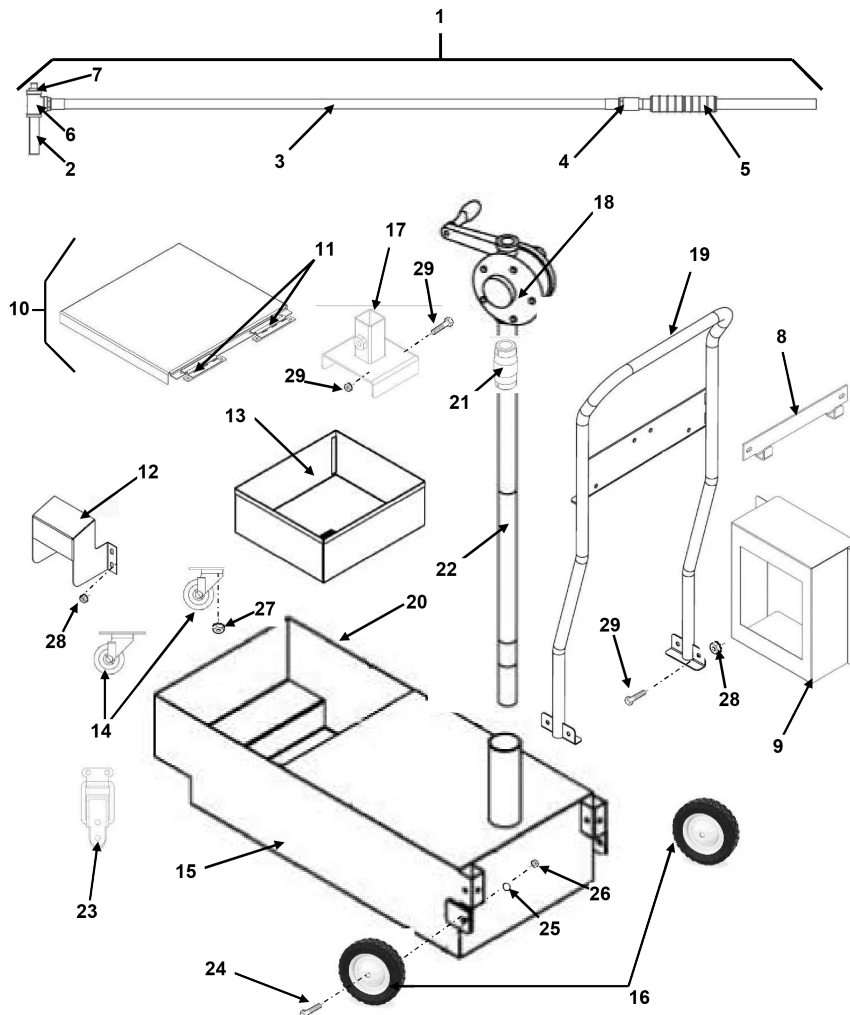




For the most up-to-date parts information, visit  
<https://parts.hennypennyhelp.com>.

## ODS 400 Parts



Item No.	Part No.	Description	Qty.	Stocking Level
1	<a href="#">91076</a>	Filter hose assembly	1	B
2	<a href="#">FP02-033</a>	-Nipple, 3/4 NPT X 4 in long	1	



For the most up-to-date parts information, visit  
<https://parts.hennypennyhelp.com>.

Item No.	Part No.	Description	Qty.	Stocking Level
3	<a href="#">21753</a>	-Discard oil hose	1	
4	<a href="#">FP01-221</a>	-Coupling hose, ¾	1	
5	<a href="#">91075</a>	-Filter rinse hose weld assembly	1	
6	<a href="#">FP01-097</a>	-Pipe tee, ¾ NPT, female	1	
7	<a href="#">FP01-140</a>	-Pipe plug, ¾	1	
8	<a href="#">91044</a>	Funnel hanger bracket	1	
9	<a href="#">88746</a>	Funnel	1	B
10	<a href="#">84001</a>	Drain pan cover assembly	1	
11	-	Hinge (not sold)	2	
11*	<a href="#">SC01-113</a>	Screw, #6-32 X 9/16, CT, pan head	4	
11*	<a href="#">NS02-005</a>	Hex keps nut, #6-32	4	
12	<a href="#">84519</a>	Drain engagement bracket	1	
13	<a href="#">84453</a>	Crumb basket	1	B
14	<a href="#">19004</a>	Swivel caster plate, 2 in	2	B
15	<a href="#">91073</a>	Drain pan weld assembly	1	
16	<a href="#">77815</a>	Wheel, 8 in	2	B
17	<a href="#">84481</a>	Pump tube bracket weld assembly	1	
17*	SC06-76	Thumb screw, M8 X 25 mm	1	
18	<a href="#">72490</a>	Manual oil discard pump	1	A
19	<a href="#">84368</a>	Dolly handle weld assembly	1	
20	<a href="#">84614</a>	Cover seal	1	B



For the most up-to-date parts information, visit  
<https://parts.hennypennyhelp.com>.

Item No.	Part No.	Description	Qty.	Stocking Level
21	<a href="#">21800</a>	Check valve, ¾	1	A
22	<a href="#">84376-001</a>	Pickup tube	1	
23	<a href="#">MS01-532</a>	Latch	1	A
23*	<a href="#">SC01-049</a>	Screw, #6-32 X 3/8, CT, pan head	2	
23*	<a href="#">NS02-005</a>	Hex keps nut, #6-32	2	
23*	<a href="#">83994</a>	Latch mounting bracket	1	
24	<a href="#">SC06-074</a>	Shoulder screw, ½ x 1-1/2	2	
25	<a href="#">LW01-010</a>	Split ring lockwasher, 3/8	2	
26	<a href="#">NS01-001</a>	Hex nut, 3/8-16	2	
27	<a href="#">NS02-006</a>	Hex keps nut, #10-24	23	
28	<a href="#">NS02-002</a>	Hex keps nut, 1/4-20	4	
29	<a href="#">SC01-057</a>	Hex screw, ¼-20 x ½	4	
30*	<a href="#">161034</a>	Pump handle	1	
<b>Recommended Parts: A = Truck Stock; B = Dist. Stock</b> <b>* = Not Shown</b> <b>A/R = As Required</b>				