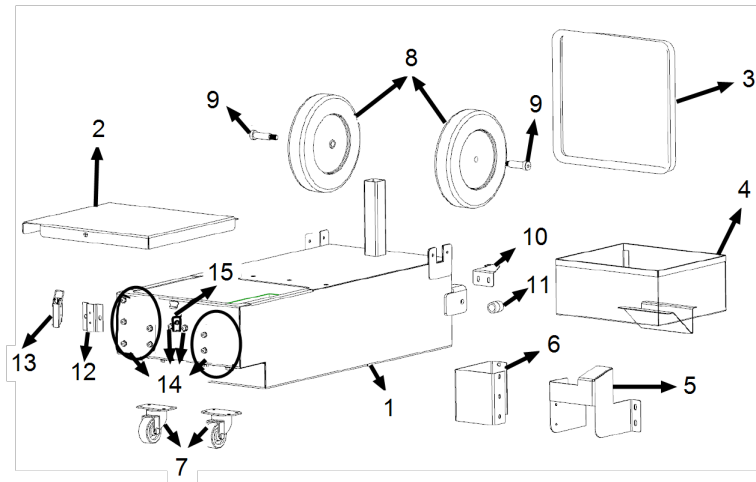




For the most up-to-date parts information, visit  
<https://parts.hennypennyhelp.com>.

## Oil Discard Pan Assembly



Item No.	Part No.	Description	Qty.	Stocking Level
1	N/A	Not orderable	N/A	
2	159358	Drain pan cover (Mounted w/ <a href="#">NS04-004</a> )	1	B
3	<a href="#">84614</a>	Drain pan cover seal (Not included w/ cover)	1	
4	159334	Crumb basket	1	B
5	159365	Drain switch engagement bracket (Mounted w/ <a href="#">NS04-004</a> )	1	B
6	<a href="#">158576</a>	Drain switch bracket (Mounted w/ <a href="#">NS04-004</a> )	1	
7	<a href="#">19004</a>	Caster, swivel, 2 in (Mounted w/ <a href="#">NS04-004</a> )	2	B
8	<a href="#">77815</a>	Wheel, 8 in	2	B



For the most up-to-date parts information, visit  
<https://parts.hennypennyhelp.com>.

Item No.	Part No.	Description	Qty.	Stocking Level
9	<a href="#">SC06-074</a>	Wheel mounting screw	2	
*	<a href="#">LW01-010</a>	Split ring lockwasher, 3/8 in (Wheel mounting)	2	
*	<a href="#">NS01-001</a>	Hex nut, 3/8 in x 16 (Wheel mounting)	2	
10	154910	Valve bracket (Mounted w/ <a href="#">NS04-004</a> )	1	
*	159494	1/2 NPT female ball valve	1	
11	<a href="#">FP01-028</a>	Close nipple, 1/2 NPT x 1 in long, SS	1	
12	<a href="#">83994</a>	Mounting hinge bracket (Mounted w/ <a href="#">NS04-004</a> )	1	
13	<a href="#">MS01-532</a>	Latch	1	
*	<a href="#">76100</a>	Warning Hot, label	1	
*	97615	Danger label, ODS	1	
*	97616	Danger label, ODS	1	
*	<a href="#">82707</a>	Caution label, ODS	1	
*	<a href="#">NS02-006</a>	#10-24, hex, keps nut	2	
*	<a href="#">NS04-001</a>	Serrated, flanged locknut, 6-32	2	
14	<a href="#">NS04-004</a>	Serrated, flanged locknut, 10-24	24	
*	<a href="#">SC01-038</a>	#10-24 x 3/8 PH, THD screw (used to bolt 159365 & <a href="#">158576</a> together)	3	



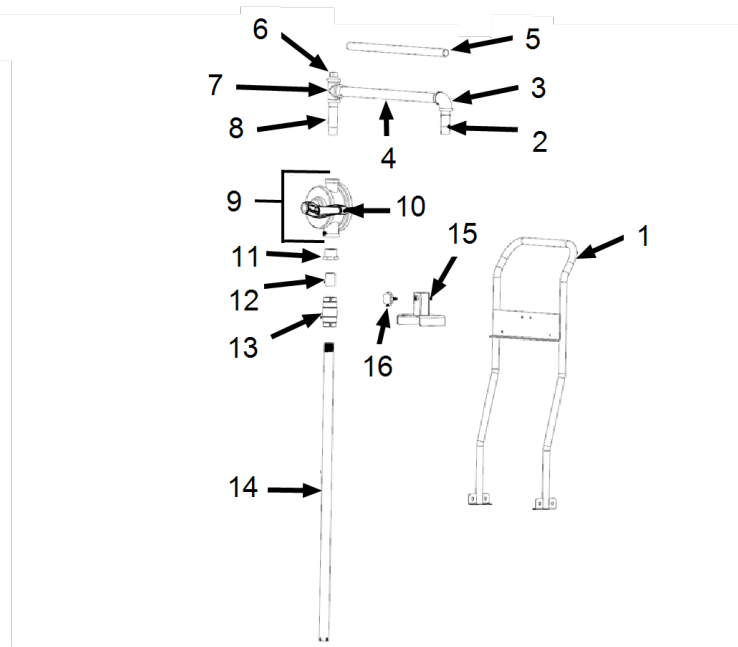
For the most up-to-date parts information, visit  
<https://parts.hennypennyhelp.com>.

Item No.	Part No.	Description	Qty.	Stocking Level
15	<a href="#">SC01-066</a>	#6-32 x 3/8 PH, PHD screw (used to mount latch to hinge bracket)	2	
<p>Recommended Parts: A = Truck Stock; B = Dist. Stock            * = Not Shown            A/R = As Required</p>				



For the most up-to-date parts information, visit  
<https://parts.hennypennyhelp.com>.

## Oil Discard Pump, Plumbing & Drain Pan Handle



Item No.	Part No.	Description	Qty.	Stocking Level
1	<a href="#">84368</a>	Drain pan handle (Mounted w/ <a href="#">SC01-057</a> & <a href="#">NS03-064</a> )	1	
2	<a href="#">FP02-021</a>	Nipple, 3/4 in x 3 in	1	
3	<a href="#">FP01-098</a>	Elbow, 3/4 in x 90°, female	1	
4	<a href="#">FP02-056</a>	Nipple, 3/4 in x 18.25 in	1	
5	<a href="#">76583</a>	Silicone sleeve	1	
6	<a href="#">FP01-140</a>	Pipe plug, 3/4 in	1	
7	<a href="#">FP01-097</a>	Pipe tee, 3/4 in	1	
8	<a href="#">FP02-033</a>	Nipple, 3/4 in x 4 in	1	



For the most up-to-date parts information, visit  
<https://parts.hennypennyhelp.com>.

Item No.	Part No.	Description	Qty.	Stocking Level
9	<a href="#">72490</a>	Manual oil discard pump (Not used on all models)	1	A
10	<a href="#">-161034</a>	-Pump handle (Not used on all models)	1	
11	<a href="#">FP01-227</a>	Reducer, 1 in male to 3/4 in female (Not used on all models)	1	
12	<a href="#">16282</a>	Close nipple, 3/4 in (Not used on all models)	1	
13	<a href="#">21800</a>	Check valve, 3/4 in (Not used on all models)	1	A
14	<a href="#">159329</a>	Oil pickup tube, SS, 33 in (Not used on all models)	1	
15	<a href="#">84481</a>	Oil pickup tube mounting bracket (Not used on all models) (Mounted w/ <a href="#">SC01-057</a> & <a href="#">NS03-064</a> )	1	
16	<a href="#">SC06-076</a>	M8 x 25MM, black knob, thumb screw	1	
*	<a href="#">SC01-057</a>	1/4-20 x 1/2 hex head screw	6	
*	<a href="#">NS03-064</a>	Hex nut, locking, zinc, 1/4-20	6	

**Recommended Parts: A = Truck Stock; B = Dist. Stock**  
**\* = Not Shown**  
**A/R = As Required**