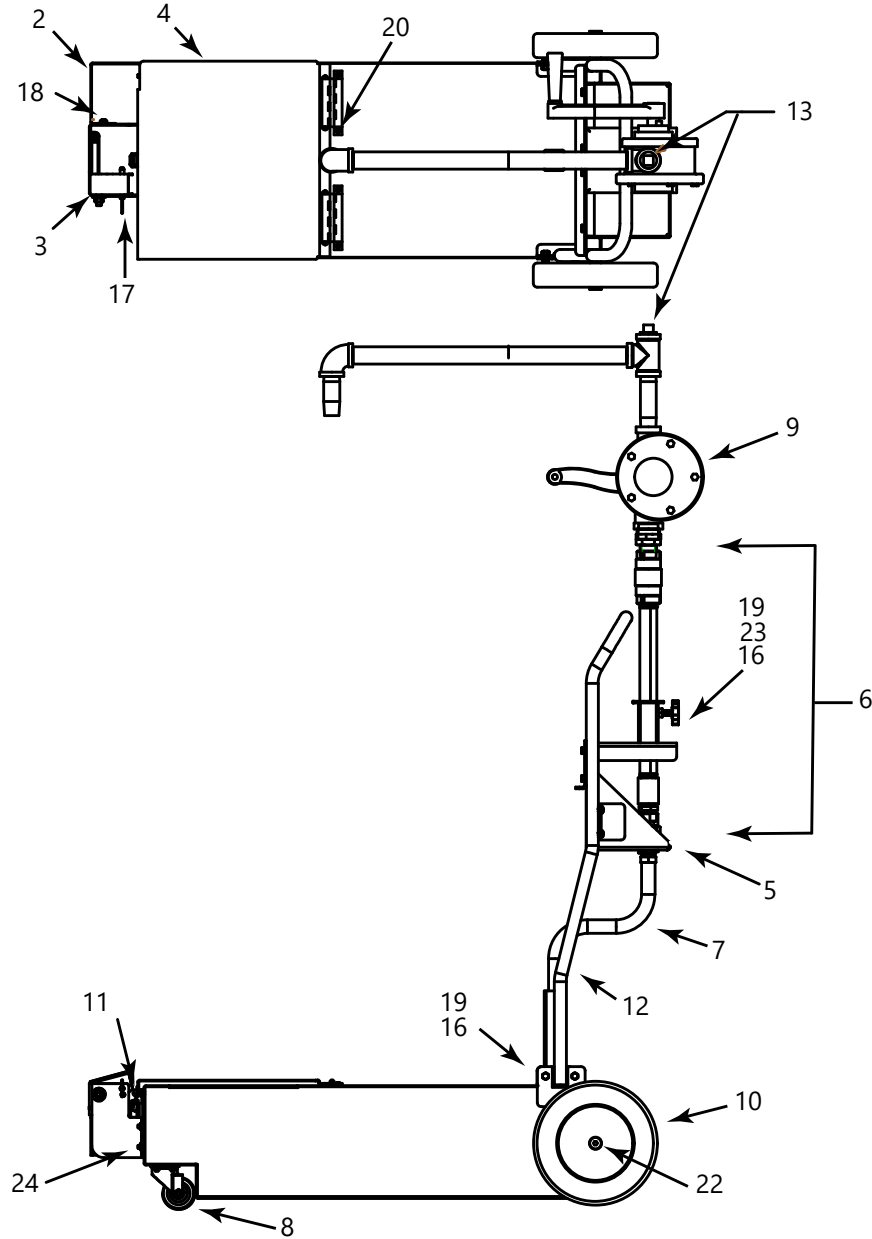




For the most up-to-date parts information, visit <https://parts.hennypennyhelp.com>.

ODS 310 Parts

The model 300 is upgraded to the model 310 using a kit. Many of the 300 parts fit on the 310. The main differences are the drain pan switch, down-pipe (stand-pipe) assembly and the lower suction tube, which is a curved molded flexible pipe.





For the most up-to-date parts information, visit
<https://parts.hennypennyhelp.com>.

Item No.	Part No.	Description	Qty.	Stocking Level
1*	140638	Retrofit kit, model 300 to model 310	1	B
2	163795	Retrofit drain switch bracket	1	
3	163805	Retrofit drain switch assembly	1	B
4	163837	Drain pan cover	1	B
5	172505	Downpipe hold bracket	1	
6	-	See Upper Standpipe Assembly	-	
7	173056	Suction tube	1	B
8	19004	Front caster, 2 in	2	B
9	72490	Manual oil discard pump	1	B
*	161034	Oil discard pump handle	1	
10	77815	Rear wheel, 8 in	2	B
11	83994	Hinge mounting bracket	1	
12	182414	Drain handle assembly	1	
13	84383	Drain pipe assembly	1	
14*	LW01-010	Split ring lockwasher, 3/8 in	2	
15*	NS01-001	Hex nut, 3/8 in X 16	2	
16	NS02-002	Keps nut, 1/4 in X 20	8	
17	NS02-005	Hex keps nut, 6 X 32	8	
18	NS02-006	Hex keps nut, 10 X 24	18	
19	SC01-057	Hex screw, 1/4 in X 20 X 1/2 in	8	
20	SC01-113	Screw, 6 X 32 X 9/16 in	4	



For the most up-to-date parts information, visit
<https://parts.hennypennyhelp.com>.

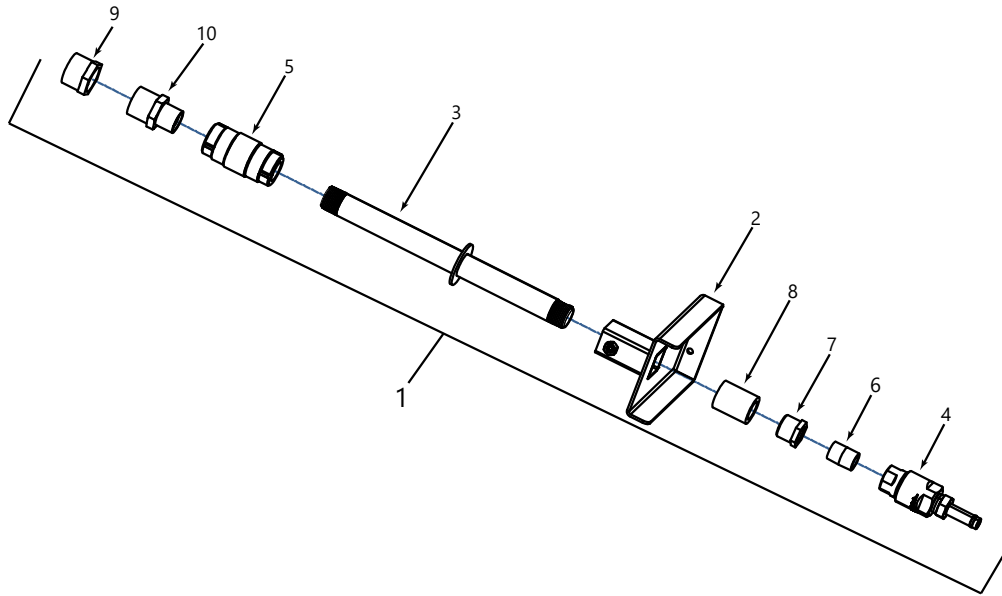
Item No.	Part No.	Description	Qty.	Stocking Level
21*	SC03-001	Screw, 10 X 1/2 in	4	
22	SC06-074	Screw, 3/16 in X 1/2" X 1 1/2 in	2	
23	SC06-076	Thumb screw, 8 X 25 black knob	1	
24	89041	Stud assembly adapter plate, F5	1	
25*	84453	Crumb basket	1	B
26*	84614	Drain pan cover seal	1	

Recommended Parts: A = Truck Stock; B = Dist. Stock
 * = Not Shown
 A/R = As Required



For the most up-to-date parts information, visit
<https://parts.hennypennyhelp.com>.

Upper Standpipe Assembly



Item No.	Part No.	Description	Qty.	Stocking Level
1	173055	Upper standpipe assembly	1	
2	172441	- Tube bracket	1	
3	172472	- Stop tube	1	
4	172576	- Swivel, 1/2 in NPT	1	
5	21800	- Check valve, 3/4 in	1	A
6	FP01-023	- Nipple, 1/2 in	1	
7	FP01-089	- Reducing bushing, 3/4 in X 1/2 in	1	
8	FP01-221	- Hose coupling, 3/4 in	1	
9	FP01-227	- Coupling, male 1 in to female 3/4 in	1	
10	FP01-298	- Coupling, male 1 in to female 3/4 in	1	



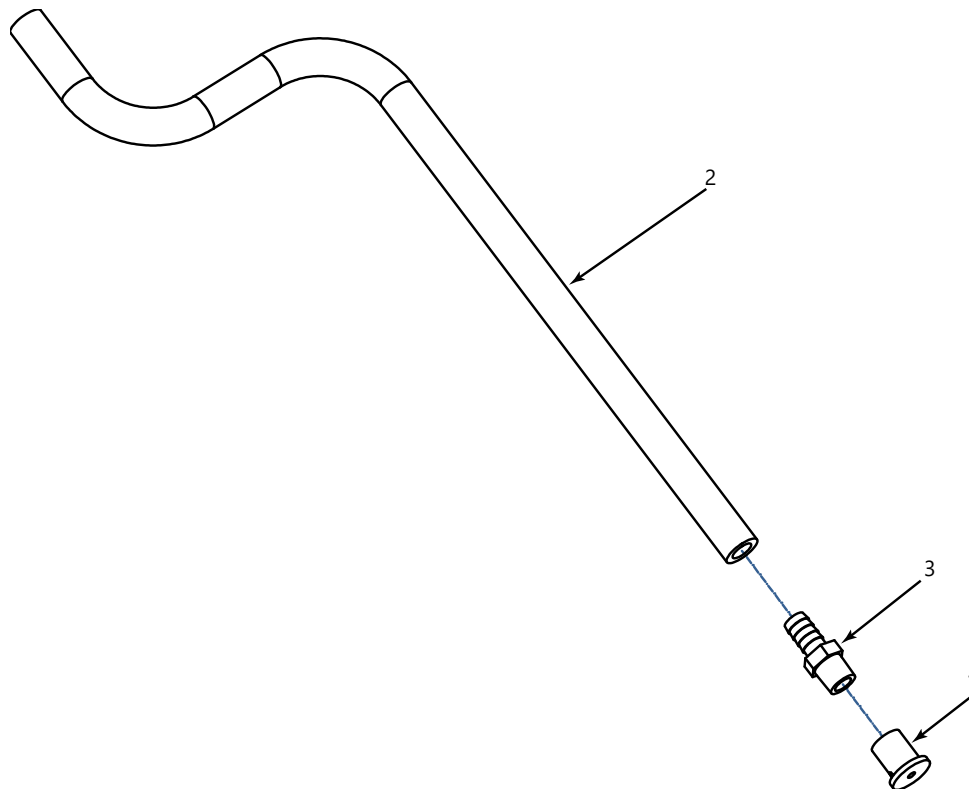
For the most up-to-date parts information, visit
<https://parts.hennypennyhelp.com>.

Item No.	Part No.	Description	Qty.	Stocking Level
11*	181602	- Silicone sleeve (slips over item 3)	1	
<p>Recommended Parts: A = Truck Stock; B = Dist. Stock * = Not Shown A/R = As Required</p>				



For the most up-to-date parts information, visit
<https://parts.hennypennyhelp.com>.

Lower Flexible Standpipe Assembly



Item No.	Part No.	Description	Qty.	Stocking Level
1	161399	JIB pickup	1	
2	162238-230	Flexible formed hose	1	A
3	FP01-228	Barb, 1/2 X 3/8, nylon	1	

Recommended Parts: A = Truck Stock; B = Dist. Stock

*** = Not Shown**

A/R = As Required