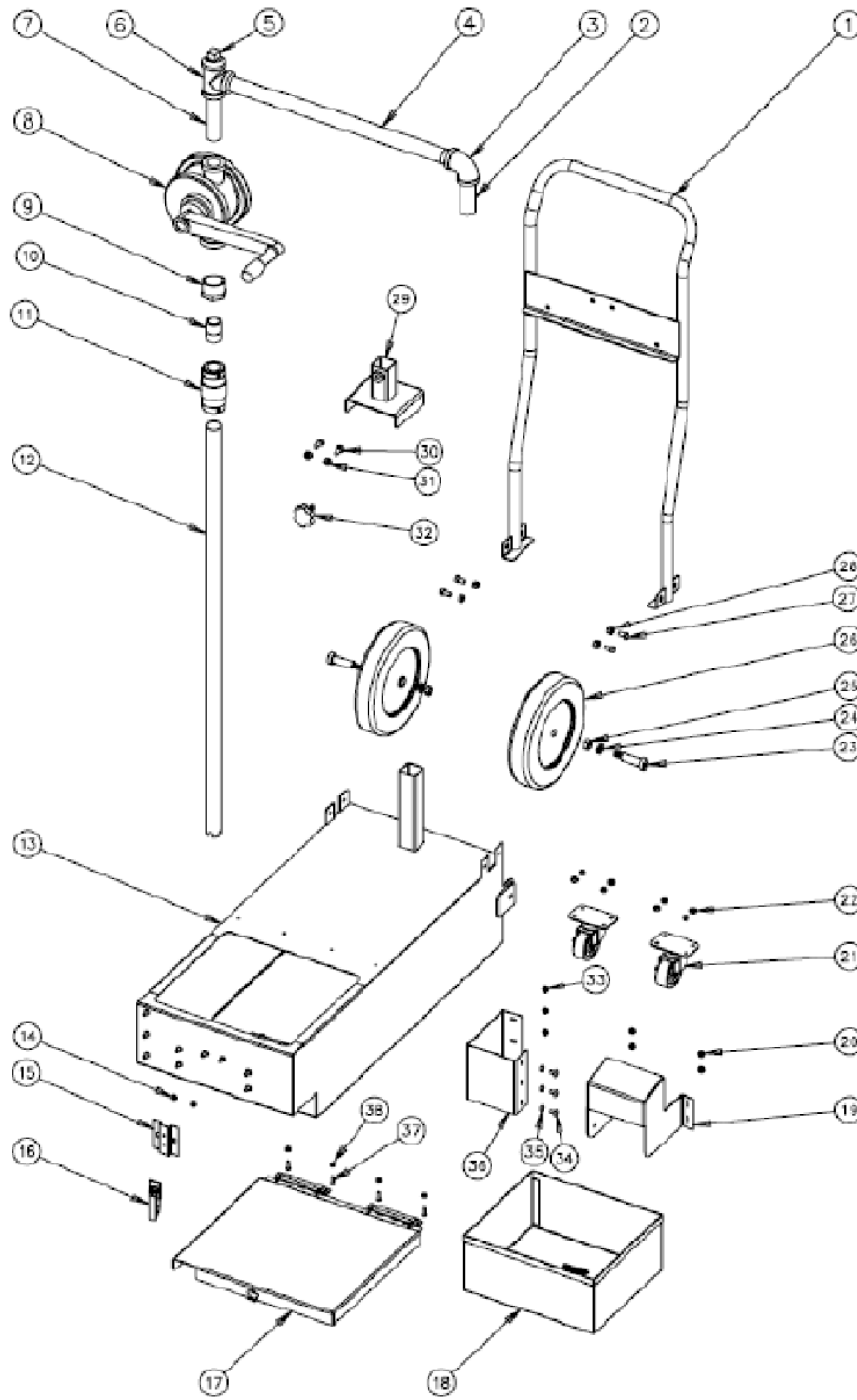




For the most up-to-date parts information, visit  
<https://parts.hennypennyhelp.com>.

## ODS 300 Parts





For the most up-to-date parts information, visit  
<https://parts.hennypennyhelp.com>.

Item No.	Part No.	Description	Qty.	Stocking Level
1	<a href="#">84368</a>	Drain pan handle	1	
2	<a href="#">FP02-021</a>	Nipple, 3/4 in X 3	1	
3	<a href="#">FP01-098</a>	Elbow, 3/4 in X 90, female	1	
4	<a href="#">FP02-056</a>	Nipple. 3/4 in X 18.25	1	
4*	<a href="#">76583</a>	Silicone sleeve	1	
5	<a href="#">FP01-140</a>	Pipe plug, 3/4 in	1	
6	<a href="#">FP01-097</a>	Pipe tee, 3/4 in	1	
7	<a href="#">FP02-033</a>	Nipple. 3/4 in X 4	1	
7*	<a href="#">FP02-056</a>	Nipple, 3/4 NPT X 18.25 (for ODS 300.07 only)	1	
8	<a href="#">72490</a>	Manual oil discard pump	1	A
8	<a href="#">161034</a>	- Pump handle	1	
9	<a href="#">FP01-227</a>	Reducer, 1 in male to 3/4 in female	1	
10	<a href="#">16282</a>	Close nipple, 3/4 in	1	
11	<a href="#">21800</a>	Check valve, 3/4 in	1	A
12	84376	Pipe, 3/4 in, black	1	
13	N/A	Not orderable	N/A	
14	<a href="#">NS02-005</a>	Keps nut, 6 X 32	2	
15	<a href="#">83994</a>	Mounting hinge bracket	1	
16	<a href="#">MS01-532</a>	Breeding machine drum latch	1	A
17	<a href="#">84001</a>	Drain pan cover	1	B



For the most up-to-date parts information, visit  
<https://parts.hennypennyhelp.com>.

Item No.	Part No.	Description	Qty.	Stocking Level
17*	84614	Drain pan cover seal (not included with cover)	1	
18	84453	Crumb basket	1	B
19	163076	Drain switch	1	B
20	NS02-006	Hex nut, 10 X 24	4	
21	19004	Swivel caster, 2 in.	2	B
22	NS02-006	Keps nut, 10 X 24	8	
23	SC06-074	Shoulder screw, 1/2 in X 1 in X 1/2 in, 3/8 in X 16	2	B
24	LW01-010	Splitring lockwasher, 3/8 in	2	
25	NS01-001	Hex nut, 3/8 in X 16	2	
26	77815	Wheel, 8 in	2	B
27	SC01-057	Hex screw, 1/4 in X 20 X 1/2 in	4	B
28	NS02-002	Keps nut, 1/4 in X 20	4	
29	84481	Locknut and pump	1	
30	SC01-057	Hex screw, 1/4 in X 20 X 1/2 in	2	
31	NS02-002	Keps nut, 1/4 in X 20	2	
32	SC06-076	Thumb screw, 8 X 25, black knob	1	
33	NS02-006	Hex keps nut, 10 X 24	3	
34	NS02-006	Hex keps nut, 10 X 24	3	
35	158576	Drain switch bracket	1	
36	SC01-113	Screw, 6 X 32 X 9/16 in, CT	4	B



For the most up-to-date parts information, visit  
<https://parts.hennypennyhelp.com>.

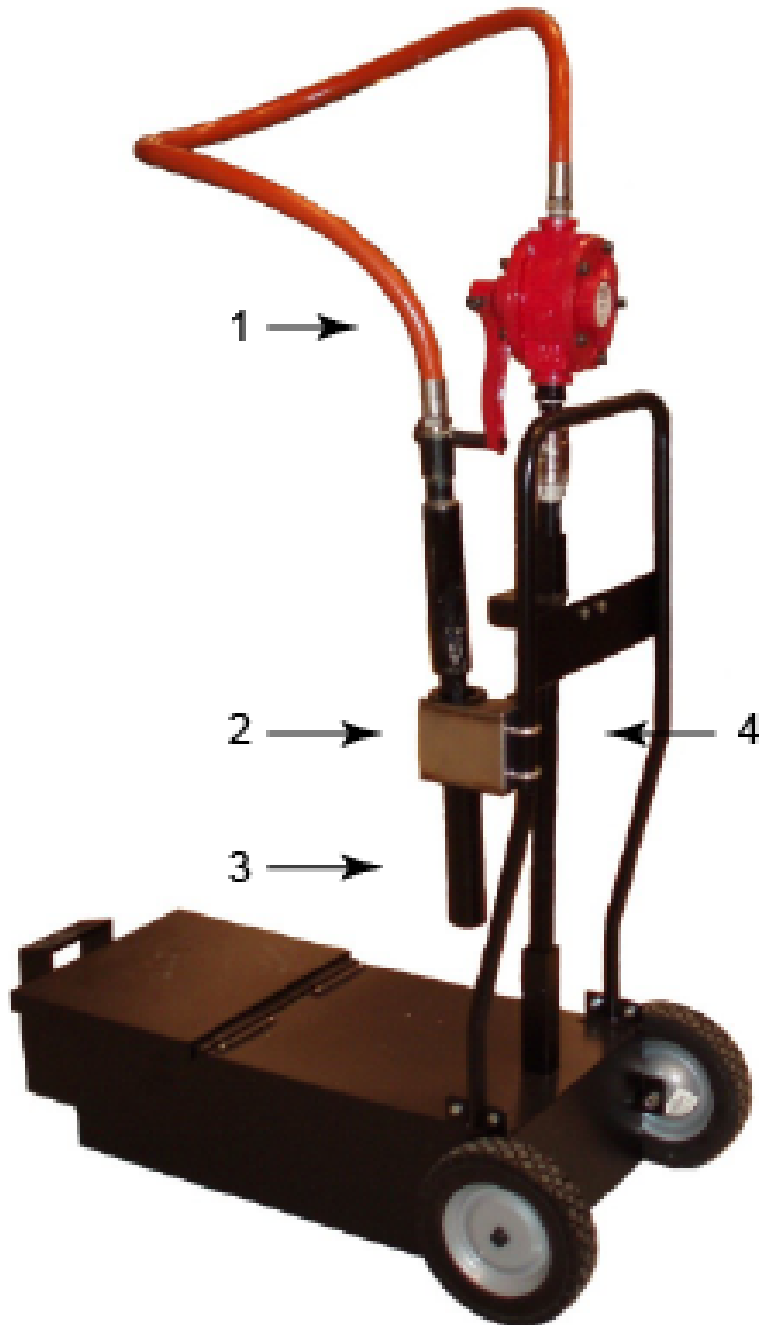
Item No.	Part No.	Description	Qty.	Stocking Level
37	<a href="#">NS02-005</a>	Hex keps nut, 6 X 32	4	B

Recommended Parts: A = Truck Stock; B = Dist. Stock  
 \* = Not Shown  
 A/R = As Required



For the most up-to-date parts information, visit  
<https://parts.hennypennyhelp.com>.

## Accessories





For the most up-to-date parts information, visit  
<https://parts.hennypennyhelp.com>.

Item No.	Part No.	Description	Qty.	Stocking Level
*	<a href="#">03616</a>	Filter hose accessory kit		
1	<a href="#">81066</a>	Filter hose		
2	<a href="#">85135</a>	Bracket holder		
3	<a href="#">80995</a>	Filter hose holder		
4	SC06-013	U-bolts		
*	NS02-002	Nuts		
*	03744	Accessory hose		
<b>Recommended Parts: A = Truck Stock; B = Dist. Stock</b> <b>* = Not Shown</b> <b>A/R = As Required</b>				