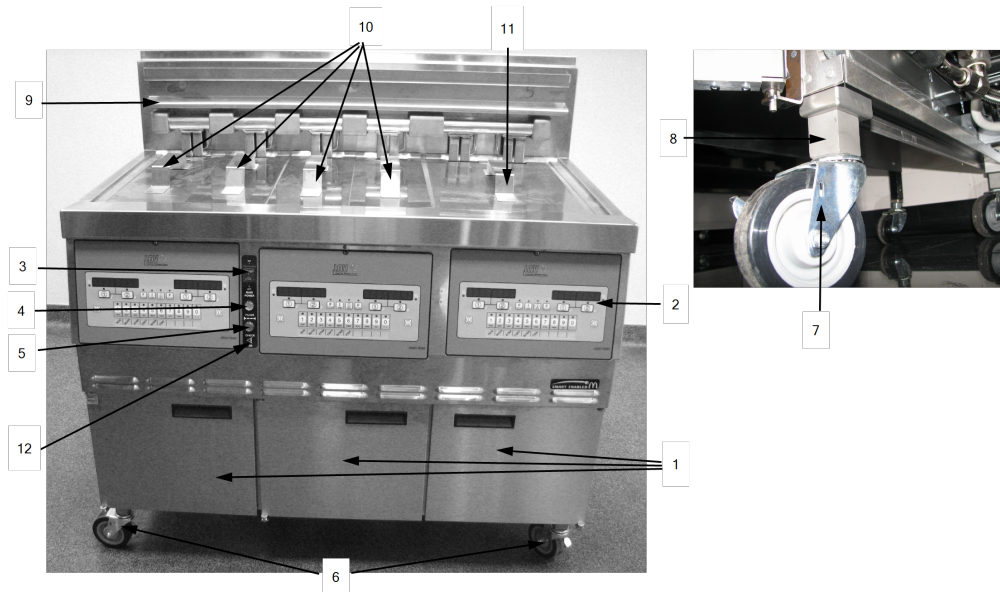




For the most up-to-date parts information, visit <https://parts.hennypennyhelp.com>.

## Operating Components



Item No.	Part No.	Description	Qty.	Stocking Level
1		<a href="#">Door assembly</a>		
2		<a href="#">Control assembly</a>	1 /vat	B
3	<a href="#">52224</a>	Power switch	1	A
4	<a href="#">75860</a>	Indicator light, blue	1	B
5	<a href="#">75859</a>	Indicator light, yellow	1	B
6	<a href="#">77575</a>	Caster with brake, 4 in	2	C
7	<a href="#">77679</a>	Rear caster, 4 in	2	C
8	<a href="#">83933</a>	Caster support, LVX 203/204	4	
8	<a href="#">83937</a>	Caster support, LVX 202	4	



For the most up-to-date parts information, visit  
<https://parts.hennypennyhelp.com>.

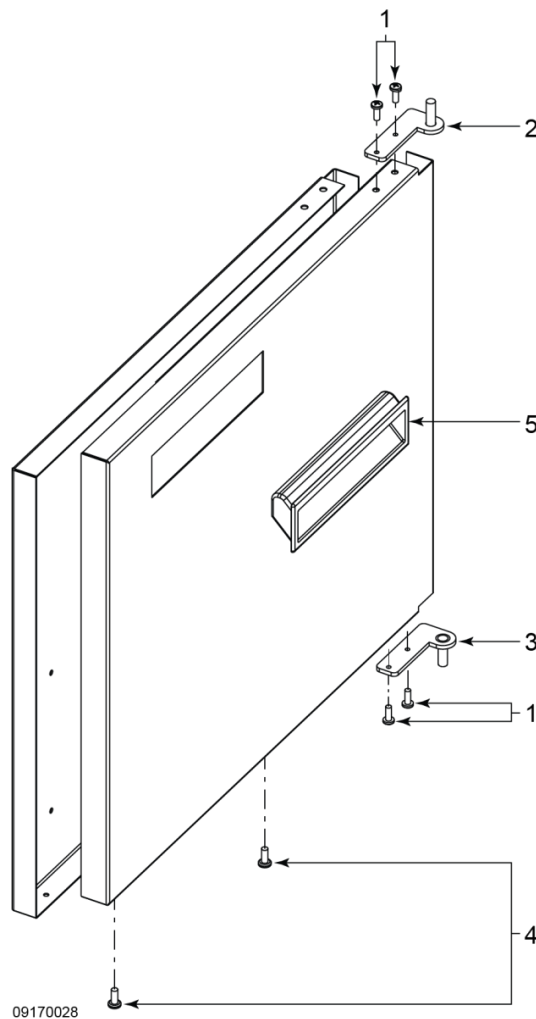
Item No.	Part No.	Description	Qty.	Stocking Level
9	<a href="#">77842</a>	Basket Hanger, LVX 202	1	
9	<a href="#">77709</a>	Basket Hanger, LVX 203	1	
9	<a href="#">77934</a>	Basket Hanger, LVX 204	1	
10	<a href="#">03623</a>	Split vat cover	1 /vat	
11	<a href="#">03624</a>	Full vat cover	1 /vat	
12	<a href="#">77103</a>	Filter / check JIB / main power decal	1	
13*	<a href="#">03691</a>	Blue light bar 3 watt accessory	1	
	12199	Oil test kit	A/R	
<b>Recommended Parts: A = Truck Stock; B = Dist. Stock</b> <b>* = Not Shown</b>				



For the most up-to-date parts information, visit <https://parts.hennypennyhelp.com>.

## Door Assembly

Door Assembly No.	Top Hinge (Door)	Bottom Hinge (Door)	Left Hinge (Frame)	Right Hinge (Frame)	Bushing
<a href="#">83774</a>	<a href="#">83903</a>	<a href="#">83904</a>	<a href="#">85409</a>	-----	<a href="#">39752</a>
<a href="#">86382</a>	<a href="#">83904</a>	<a href="#">83903</a>	-----	85408	<a href="#">39752</a>
<a href="#">83727</a>	<a href="#">83904</a>	<a href="#">83903</a>	-----	85408	<a href="#">39752</a>





For the most up-to-date parts information, visit  
<https://parts.hennypennyhelp.com>.

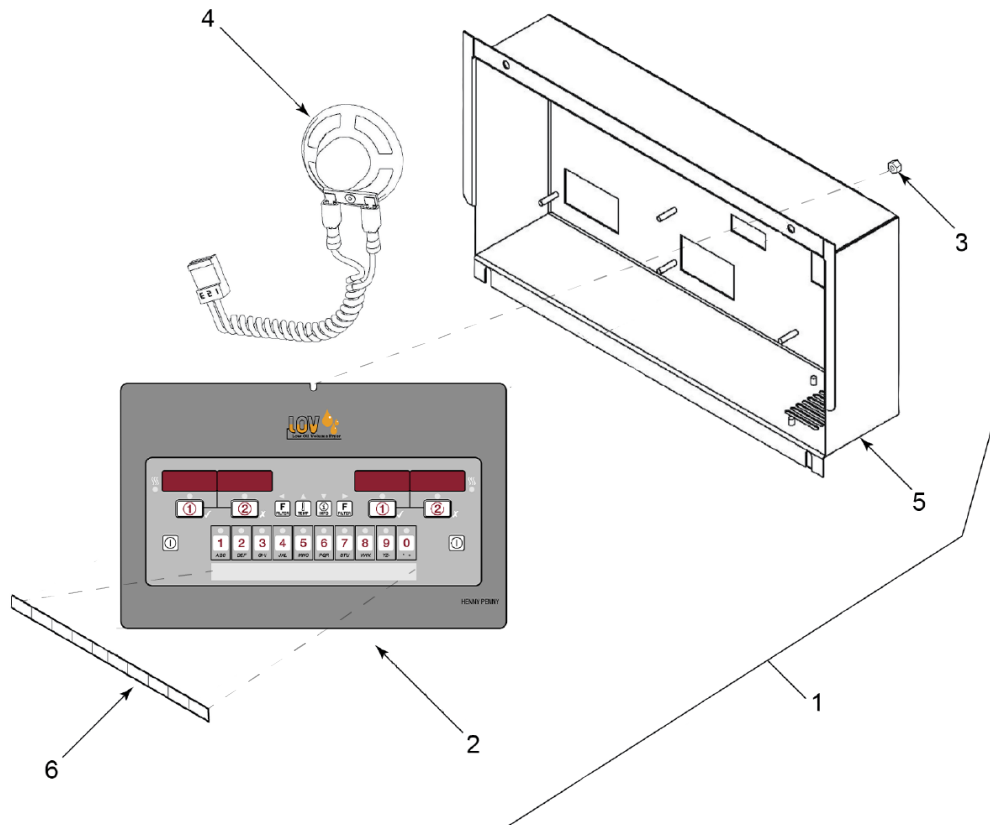
Item No.	Part No.	Description	Qty.	Stocking Level
1	<a href="#">SC04-001</a>	Screw, #8-32 x 3/8 in, <b>CT<sup>1</sup></b>	4	
2	<a href="#">83904</a>	Door hinge stud assembly, right	1	
3	<a href="#">83903</a>	Door hinge stud assembly, left	1	
4	<a href="#">SC04-003</a>	Screw, #8-32 x 3/8 in, <b>CT<sup>2</sup></b> , HPD, <b>SS<sup>3</sup></b>	2	
5	<a href="#">41836</a>	Door handle	1	
<b>Recommended Parts: A = Truck Stock; B = Dist. Stock</b> <b>* = Not Shown</b>				

- 1
- 2
- 3



For the most up-to-date parts information, visit <https://parts.hennypennyhelp.com>.

## Control Assembly



Item No.	Part No.	Description	Qty.	Stocking Level
1	<a href="#">97319</a>	Control assembly	1/vat	B
2	<a href="#">85378</a>	Control decal	1/control	A
3	<a href="#">NS02-005</a>	6-32 hex keps nut	23/control	
4	<a href="#">26974</a>	Speaker assembly	1/control	A
5	<a href="#">83498</a>	Control panel cover stud assembly	1/control	



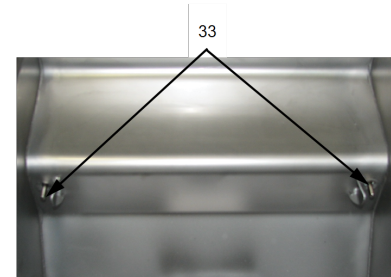
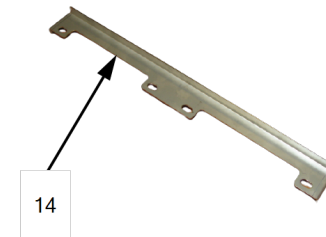
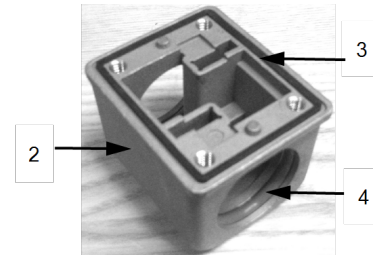
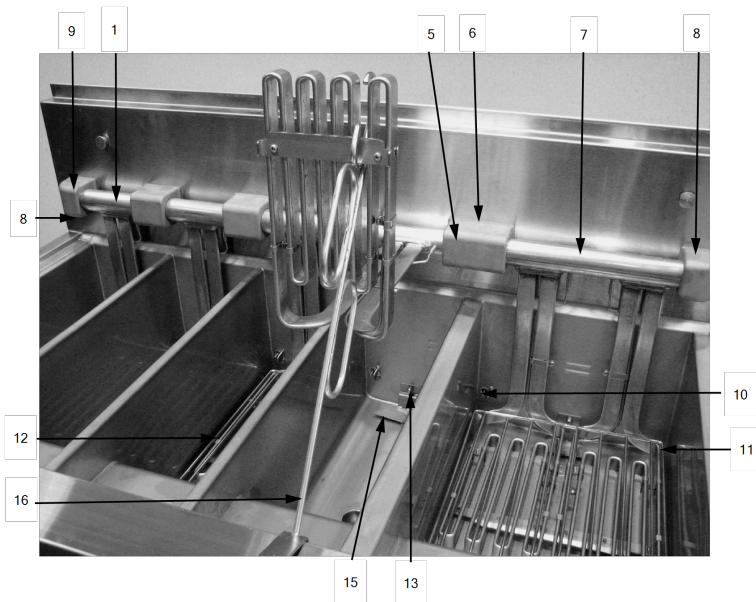
For the most up-to-date parts information, visit  
<https://parts.hennypennyhelp.com>.

Item No.	Part No.	Description	Qty.	Stocking Level
6	<a href="#">77249</a>	Blank menu card	1/control	
6	<a href="#">77250</a>	FVA Potato menu card	1/control	
6	<a href="#">77251</a>	SPA Protein menu card	1/control	
7*	<a href="#">MS01-571</a>	Terminal extractor tool	1	
8*	<a href="#">140130</a>	MMC Communication kit	1	
9*	<a href="#">82326</a>	Menu strip loading tool	1	
<b>Recommended Parts: A = Truck Stock; B = Dist. Stock</b> <b>* = Not Shown</b>				



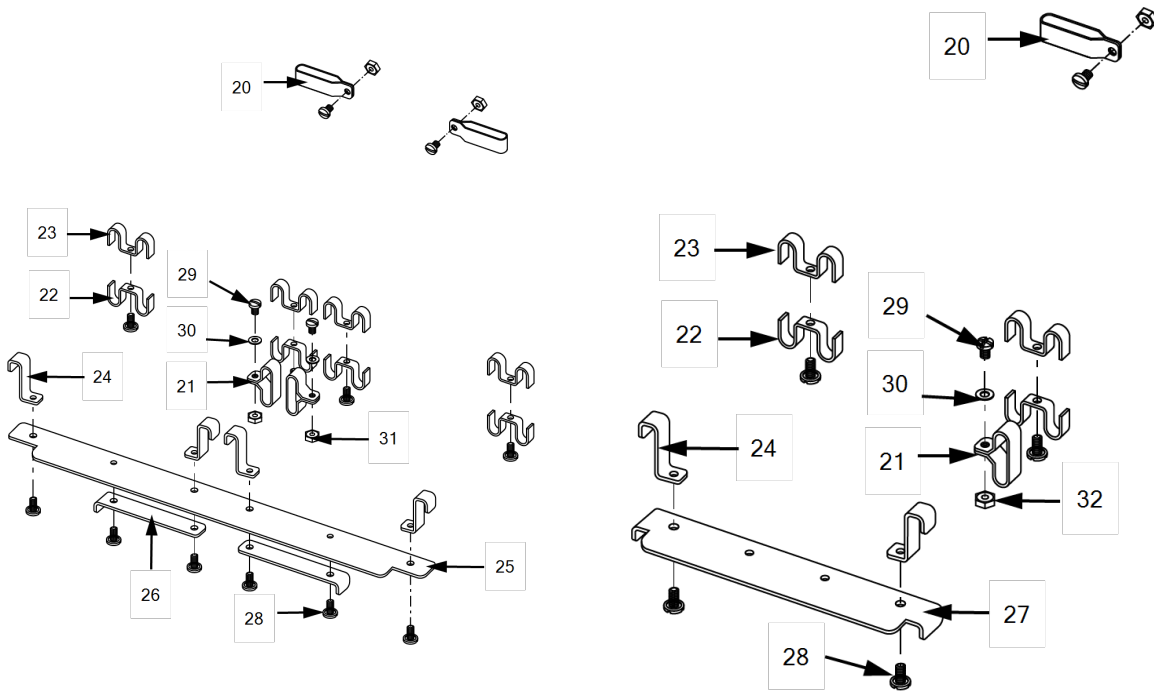
For the most up-to-date parts information, visit  
<https://parts.hennypennyhelp.com>.

## Element Assembly and Sensors





For the most up-to-date parts information, visit <https://parts.hennypennyhelp.com>.



Full Element Detail

Split Element Detail

Item No.	Part No.	Description	Qty.	Stocking Level
1	<a href="#">92104-001</a>	3 wire oil heating element, 208 VAC, 60 Hz, 7 kW, 3 Ph, split vat (Before 12/2020)	1/vat	B
1	<a href="#">92104-002</a>	4 wire oil heating element, 230/400 VAC, 50 Hz, 7 kW, 3 Ph, split vat (Before 12/2020)	1/vat	B
1	<a href="#">92104-005</a>	4 wire oil heating element, 220/380 VAC, 50 Hz, 7 kW, 3 Ph, split vat (Before 12/2020)	1/vat	B



For the most up-to-date parts information, visit  
<https://parts.hennypennyhelp.com>.

Item No.	Part No.	Description	Qty.	Stocking Level
1	<a href="#">92104-006</a>	4 wire oil heating element, 240/415 VAC, 50 Hz, 7 kW, 3 Ph, split vat (Before 12/2020)	1/vat	B
1	<a href="#">92104-007</a>	3 wire oil heating element, 220 VAC, 60 Hz, 7 kW, 3 Ph, split vat (Before 12/2020)	1/vat	B
1	<a href="#">92104-008</a>	3 wire oil heating element, 230 VAC, 50 Hz, 7 kW, 3 Ph, split vat (Before 12/2020)	1/vat	B
1	<a href="#">92104-009</a>	3 wire oil heating element, 240 VAC, 60 Hz, 7 kW, 3 Ph, split vat (Before 12/2020)	1/vat	B
1	<a href="#">178446-001</a>	3 wire oil heating element, 208 VAC, 60 Hz, 7 kW, 3 Ph, split vat (After 12/2020)	1/vat	B
1	<a href="#">178446-002</a>	4 wire oil heating element, 230/400 VAC, 50 Hz, 7 kW, 3 Ph, split vat (After 12/2020)	1/vat	B
1	<a href="#">178446-005</a>	4 wire oil heating element, 220/380 VAC, 50 Hz, 7 kW, 3 Ph, split vat (After 12/2020)	1/vat	B
1	<a href="#">178446-006</a>	4 wire oil heating element, 240/415 VAC, 50 Hz, 7 kW, 3 Ph, split vat (After 12/2020)	1/vat	B
1	<a href="#">178446-007</a>	3 wire oil heating element, 220 VAC, 60 Hz, 7 kW, 3 Ph, split vat (After 12/2020)	1/vat	B



For the most up-to-date parts information, visit  
<https://parts.hennypennyhelp.com>.

Item No.	Part No.	Description	Qty.	Stocking Level
1	<a href="#">178446-008</a>	3 wire oil heating element, 230 VAC, 50 Hz, 7 kW, 3 Ph, split vat (After 12/2020)	1/vat	B
1	<a href="#">178446-009</a>	3 wire oil heating element, 240 VAC, 60 Hz, 7 kW, 3 Ph, split vat (After 12/2020)	1/vat	B
2	<a href="#">86305</a>	Pivot block S to S	A/R	
3	<a href="#">86308</a>	Pivot block seal S to S	A/R	B
4	<a href="#">76948</a>	O-ring	2/block	B
5	<a href="#">86304</a>	Pivot block S to F	A/R	
6	<a href="#">86307</a>	Pivot seal S to F	A/R	B
7	<a href="#">92103-001</a>	3 wire oil heating element, 208VAC, 60Hz, 14 kW, 3 Ph, full vat	1/vat	B
7	<a href="#">92103-002</a>	4 wire oil heating element, 230/400VAC, 50Hz, 14 kW, 3 Ph, full vat	1/vat	B
7	<a href="#">92103-005</a>	4 wire oil heating element, 220/380VAC, 50/60 Hz, 14 kW, 3 Ph, full vat	1/vat	B
7	<a href="#">92103-006</a>	4 wire oil heating element, 240/415VAC, 50 Hz, 14 kW, 3 Ph full vat	1/vat	B
7	<a href="#">92103-007</a>	3 wire oil heating element, 220VAC, 60 Hz, 14 kW, 3 Ph, full vat	1/vat	B
7	<a href="#">92103-008</a>	3 wire oil heating element, 230VAC, 50 Hz, 14 kW, 3 Ph, full vat	1/vat	B
7	<a href="#">92103-009</a>	3 wire oil heating element, 240VAC, 60 Hz, 14 kW, 3 Ph, full vat	1/vat	B



For the most up-to-date parts information, visit  
<https://parts.hennypennyhelp.com>.

Item No.	Part No.	Description	Qty.	Stocking Level
8	<a href="#">86303</a>	Pivot block F to F	A/R	
9	<a href="#">86306</a>	Pivot block seal F to F	A/R	B
10	<a href="#">140099</a>	Temperature probe kit, 3 in	1/vat	A
11	<a href="#">151838</a>	Full vat rack w/o wear strip	1/vat	B
12	<a href="#">152196</a>	Split vat rack	1/vat	B
13	<a href="#">WS01-012</a>	Stud, #10-24 x 1/4 - Stainless Steel	1/vat	
13	<a href="#">LW01-008</a>	Lock Washer, Lock Washer Split Ring #10C	1/vat	
13	<a href="#">NS03-044</a>	Acorn nut, #10 x 24 SS	1/vat	
14	<a href="#">140288</a>	Element guard kit, full vat	1/vat	
14	<a href="#">140300</a>	Element guard kit, split vat	1/vat	
15	<a href="#">77838</a>	Oil diverter	1/vat	
15	<a href="#">77443</a>	Fish oil diverter	1/vat	
16	<a href="#">74725</a>	Element lift handle	1	B
17 *	<a href="#">76563</a>	Seam cover LVE 202	1	
17 *	<a href="#">76500</a>	Seam cover LVE 203	1	
17 *	<a href="#">77613</a>	Seam cover LVE 204	1	
18 *	<a href="#">76564</a>	Extension shroud LVE 202	1	
18 *	<a href="#">76501</a>	Extension shroud LVE 203	1	
18 *	<a href="#">77614</a>	Extension shroud LVE 204	1	
19 *	<a href="#">NS03-044</a>	Acorn nut, #10 x 24 SS	3	



For the most up-to-date parts information, visit  
<https://parts.hennypennyhelp.com>.

Item No.	Part No.	Description	Qty.	Stocking Level
20	<a href="#">95324-02</a>	Hi limit tip clip	1/split 2/full	
21	<a href="#">95324-01</a>	Hi limit rear tip clip	1/split 2/full	
22	<a href="#">95324-03</a>	Lower element spacer	4/full 2/split	
23	<a href="#">95324-04</a>	Upper element spacer	4/full 2/split	
24	<a href="#">95324-05</a>	Foot top bracket	4/full 2/split	
25	<a href="#">95324-06</a>	Full vat foot mounting bracket	1	
26	<a href="#">95324-07</a>	Full vat bottom foot bracket	2	
27	<a href="#">95324-08</a>	Spilt vat bottom foot bracket	1	
28	<a href="#">95324-09</a>	Screw, #8 x AB x .375 long	10/full 4/split	
29	<a href="#">95324-10</a>	Screw, #8 x 32 x .250 long	4/full 2/split	
30	<a href="#">95324-11</a>	Washer	4/full 2/split	
31	<a href="#">95324-12</a>	Nut, #8 x 32 SS	4/full 2/split	



For the most up-to-date parts information, visit  
<https://parts.hennypennyhelp.com>.

Item No.	Part No.	Description	Qty.	Stocking Level
32*	<a href="#">96887</a>	High limit single thermocouple service pack - Full vats (All units) - Split vats (Before 12/2020)	A/R	A
32*	<a href="#">181867</a>	High limit dual thermocouple service pack - Split vat only (After 12/2020)	1/vat	A
33	<a href="#">140098</a>	Oil level probe kit, 2 1/2 in	2/vat	A
Recommended Parts: A = Truck Stock; B = Dist. Stock * = Not Shown				



For the most up-to-date parts information, visit  
<https://parts.hennypennyhelp.com>.

## Pivot Block Chart

Model	Vat Config.	Pivot Block			Pivot Block Seal		
		Qty.	Part No.	Type	Qty.	Part No.	Type
LVE 202	FF	4	<a href="#">86303</a>	F to F end block	4	<a href="#">86306</a>	F to F
	SS	2	<a href="#">86303</a>	F to F end block	2	<a href="#">86306</a>	F to F
		3	<a href="#">86305</a>	S to S	3	<a href="#">86308</a>	S to S
	FD FR FS	2	<a href="#">86303</a>	F to F end block	2	<a href="#">86306</a>	F to F
		1	<a href="#">86304</a>	S to F	1	<a href="#">86307</a>	S to F
		1	<a href="#">86305</a>	S to S	1	<a href="#">86308</a>	S to S
	DF LF SF	2	<a href="#">86303</a>	F to F end block	2	<a href="#">86306</a>	F to F
		1	<a href="#">86304</a>	S to F	1	<a href="#">86307</a>	S to F
		1	<a href="#">86305</a>	S to S	1	<a href="#">86308</a>	S to S



For the most up-to-date parts information, visit  
<https://parts.hennypennyhelp.com>.

Model	Vat Config.	Pivot Block			Pivot Block Seal		
		Qty.	Part No.	Type	Qty.	Part No.	Type
LVE 203	FFF	6	<a href="#">86303</a>	F to F end block	6	<a href="#">86306</a>	F to F
	SSS	2	<a href="#">86303</a>	F to F end block	2	<a href="#">86306</a>	F to F
		5	<a href="#">86305</a>	S to S	5	<a href="#">86308</a>	S to S
	FSD FSR FSS	2	<a href="#">86303</a>	F to F end block	2	<a href="#">86306</a>	F to F
		1	<a href="#">86304</a>	S to F	1	<a href="#">86307</a>	S to F
		3	<a href="#">86305</a>	S to S	3	<a href="#">86308</a>	S to S
	FFD FFR FFS	4	<a href="#">86303</a>	F to F end block	4	<a href="#">86306</a>	F to F
		1	<a href="#">86304</a>	S to F	1	<a href="#">86307</a>	S to F
		1	<a href="#">86305</a>	S to S	1	<a href="#">86308</a>	S to S
	DSF LSF SSF	2	<a href="#">86303</a>	F to F end block	2	<a href="#">86306</a>	F to F
		1	<a href="#">86304</a>	S to F	1	<a href="#">86307</a>	S to F
		3	<a href="#">86305</a>	S to S	3	<a href="#">86308</a>	S to S
	DFF LFF SFF	4	<a href="#">86303</a>	F to F end block	4	<a href="#">86306</a>	F to F
		1	<a href="#">86304</a>	S to F	1	<a href="#">86307</a>	S to F
		1	<a href="#">86305</a>	S to S	1	<a href="#">86308</a>	S to S
LVE-204	FFFF	8	<a href="#">86303</a>	F to F end block	8	<a href="#">86306</a>	F to F
	SSSS	2	<a href="#">86303</a>	F to F end block	2	<a href="#">86306</a>	F to F
		7	<a href="#">86305</a>	S to S	7	<a href="#">86308</a>	S to S
	FSSD FSSR	2	<a href="#">86303</a>	F to F end block	2	<a href="#">86306</a>	F to F



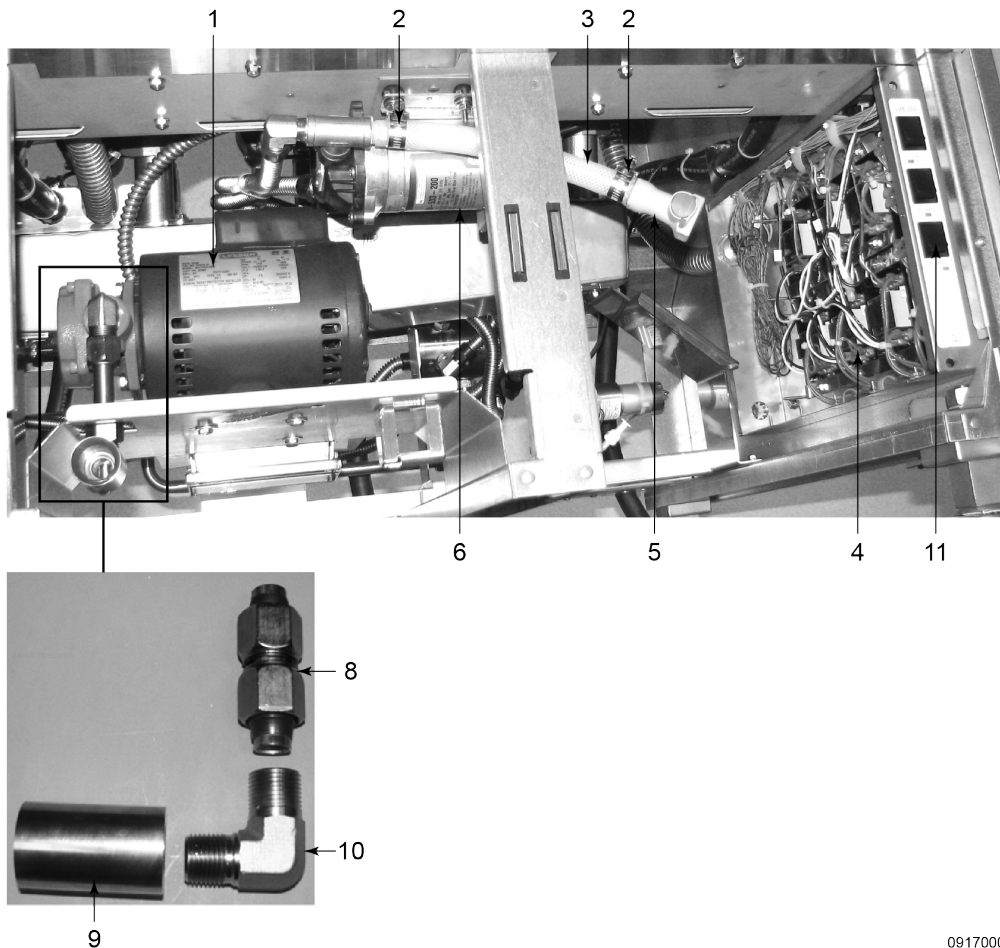
For the most up-to-date parts information, visit  
<https://parts.hennypennyhelp.com>.

Model	Vat Config.	Pivot Block			Pivot Block Seal		
		Qty.	Part No.	Type	Qty.	Part No.	Type
	FSSS	1	<a href="#">86304</a>	S to F	1	<a href="#">86307</a>	S to F
		5	<a href="#">86305</a>	S to S	5	<a href="#">86308</a>	S to S
	FFSD FFSR FFSS	4	<a href="#">86303</a>	F to F end block	4	<a href="#">86306</a>	F to F
		1	<a href="#">86304</a>	S to F	1	<a href="#">86307</a>	S to F
		3	<a href="#">86305</a>	S to S	3	<a href="#">86308</a>	S to S
	FFFD FFFR FFFS	6	<a href="#">86303</a>	F to F end block	6	<a href="#">86306</a>	F to F
		1	<a href="#">86304</a>	S to F	1	<a href="#">86307</a>	S to F
		1	<a href="#">86305</a>	S to S	1	<a href="#">86308</a>	S to S
	DSSF LSSF SSSF	2	<a href="#">86303</a>	F to F end block	2	<a href="#">86306</a>	F to F
		1	<a href="#">86304</a>	S to F	1	<a href="#">86307</a>	S to F
		5	<a href="#">86305</a>	S to S	5	<a href="#">86308</a>	S to S
	DSFF LSFF SSFF	4	<a href="#">86303</a>	F to F end block	4	<a href="#">86306</a>	F to F
		1	<a href="#">86304</a>	S to F	1	<a href="#">86307</a>	S to F
		3	<a href="#">86305</a>	S to S	3	<a href="#">86308</a>	S to S
	DFFF LFFF SFFF	6	<a href="#">86303</a>	F to F end block	6	<a href="#">86306</a>	F to F
		1	<a href="#">86304</a>	S to F	1	<a href="#">86307</a>	S to F
		1	<a href="#">86305</a>	S to S	1	<a href="#">86308</a>	S to S



For the most up-to-date parts information, visit  
<https://parts.hennypennyhelp.com>.

## Oil Top Off Pump, High Limit Modules, and Pump Motor Inlet Assembly



09170006

Item No.	Part No.	Description	Qty.	Stocking Level
1		See <a href="#">Filter Pump and Motor Assembly</a>		
2	<a href="#">MS01-297</a>	Hose clamp	2	
3	<a href="#">89622-001</a>	Hose	1	B



For the most up-to-date parts information, visit  
<https://parts.hennypennyhelp.com>.

Item No.	Part No.	Description	Qty.	Stocking Level
4	<a href="#">175915-001</a>	Service Pack - Single high limit control, 120 VAC, 575°F - Gen 1, Silver Sticker (Before 12/2020)	A/R	A
4	<a href="#">175915-002</a>	Service Pack - Single high limit control, 230 VAC, 575°F - Gen 1, Yellow Sticker (Before 12/2020)	A/R	A
4	<a href="#">175915-006</a>	Service Pack - Dual high limit control, 100-240 VAC, 575°F - Gen 1, Green Sticker (After 12/2020) - Gen 2, Black Circle (After 08/2022) Note: Dates are production implementation dates. Gen 2 is newest design. - Gen 2 can replace a Gen 1 - Gen 1 cannot replace a Gen 2	A/R	A
5	<a href="#">FP05-016</a>	Quick disconnect, ½ in	1	A
6	<a href="#">97599</a>	JIB pump retrofit service pack, 120 VAC (Before 5/2015) for 208v fryers	1	
6	<a href="#">153417-001</a>	- JIB pump, 120 VAC (After 5/2015) for 208v fryers	1	A
6	<a href="#">97600</a>	JIB pump retrofit service pack, 208-240 VAC (Before 5/2015) for 230v/240v fryers	1	
6	<a href="#">153417-002</a>	- JIB pump, 208-240 VAC (After 5/2015) for 230v/240v fryers	1	A
7a*	<a href="#">FP01-228</a>	Barbed fitting, 1/2 in hose, 3/8 NPT, Nylon	1	
7b*	<a href="#">FP02-077</a>	Close nipple, 3/8 NPT, Nylon	1	



For the most up-to-date parts information, visit  
<https://parts.hennypennyhelp.com>.

Item No.	Part No.	Description	Qty.	Stocking Level
8	<a href="#">84288</a>	Filter inlet tube assembly	1	
9	<a href="#">160834</a>	Tube end connector	1	
10	<a href="#">17407</a>	Elbow connector, ½ in	1	
11	<a href="#">84987</a>	High limit reset switch, N/O (Before 12/2020)	A/R	A
11	<a href="#">157360</a>	High limit reset switch, N/C (After 12/2020)	A/R	A
<b>Recommended Parts: A = Truck Stock; B = Dist. Stock</b> <b>A/R = As Required</b>				



For the most up-to-date parts information, visit  
[https://parts.hennypennyhelp.com.](https://parts.hennypennyhelp.com)



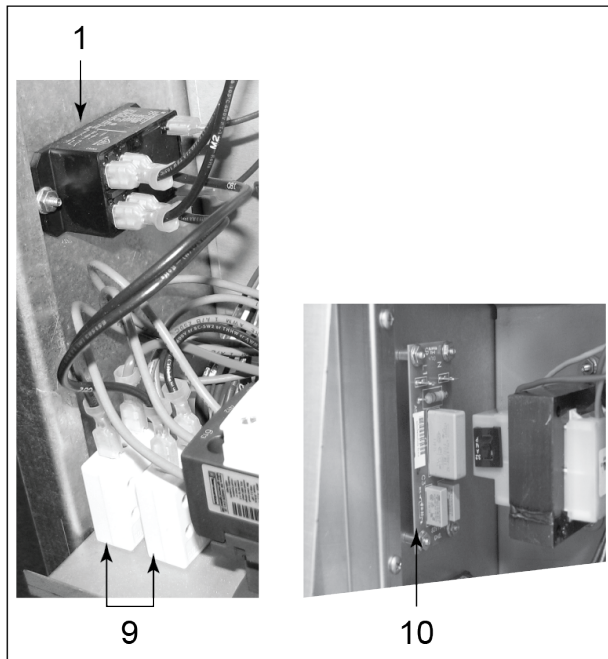
For the most up-to-date parts information, visit  
<https://parts.hennypennyhelp.com>.

## Behind Control Assembly

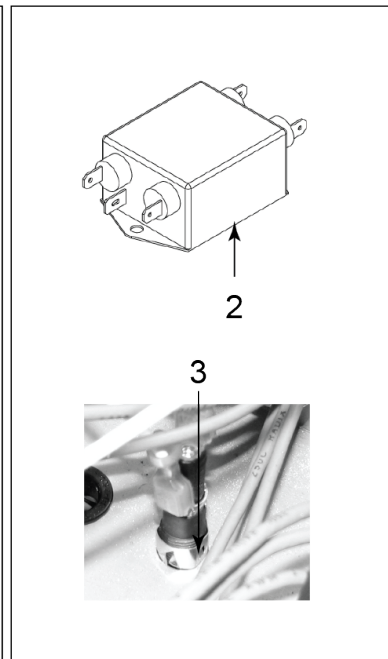


For the most up-to-date parts information, visit  
<https://parts.hennypennyhelp.com>.

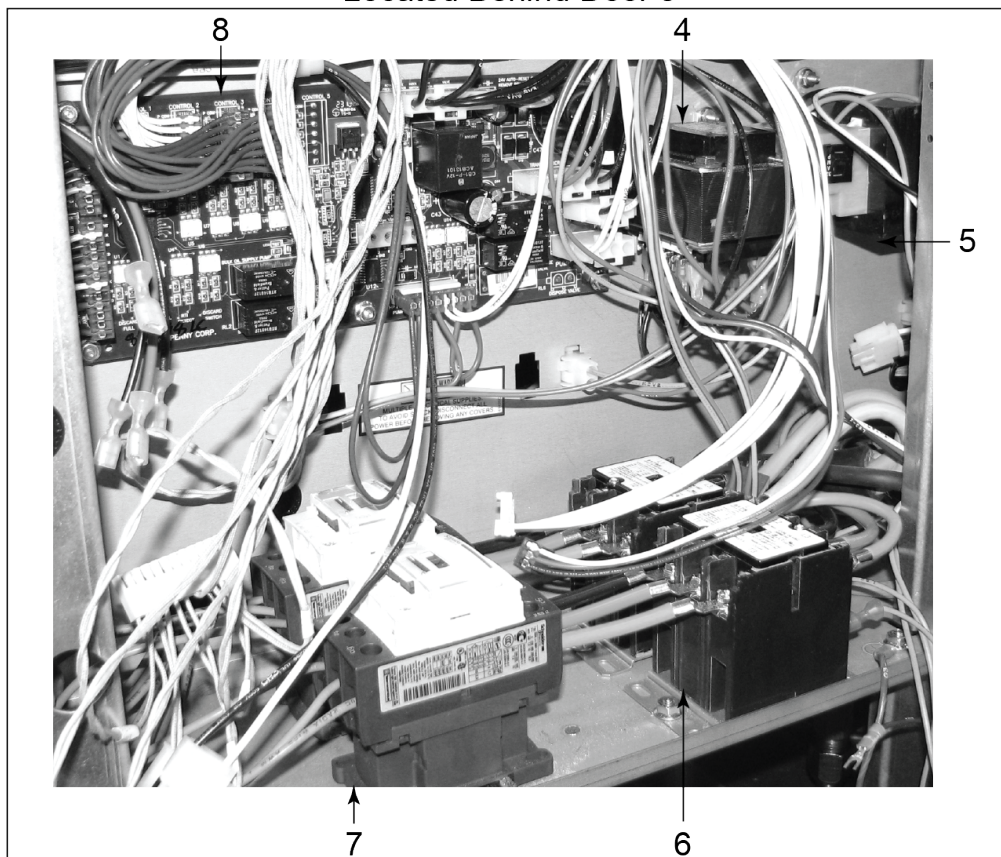
Located Behind Door 1



Located Behind Door 2



Located Behind Door 3



09170010



For the most up-to-date parts information, visit  
<https://parts.hennypennyhelp.com>.

Item No.	Part No.	Description	Qty.	Stocking Level
1	<a href="#">ME90-008</a>	Pump motor relay, 12 VDC, 30A	1	A
2	<a href="#">80728</a>	EMI filter (CE)	1	B
3	<a href="#">EF02-104</a>	Fuse holder, 20A 250 VAC	1	A
3	<a href="#">FA52-010</a>	- Fuse, 1A, 208/240 VAC	1	A
3	<a href="#">FA52-015</a>	- Fuse, 1.5A, 380/400/415VAC	1	A
4	<a href="#">TS22-012</a>	AIF transformer	1	A
5	<a href="#">86086</a>	Transformer, 120 VAC, 75A	1/vat	A
5	<a href="#">86087</a>	Transformer, 24/240 VAC, 75A, CE	1/vat	A
6	<a href="#">166767</a>	Contactora, primary, 24 VAC	1/vat	A
7	<a href="#">65073</a>	Contactora, heat, square, 24 VAC	1/vat	A
8	<a href="#">85698</a>	Common AIF PCB	1	A
9	<a href="#">EF02-125</a>	Push button reset breaker, 15A	2	A
10	<a href="#">82914</a>	EMC filter board, 1P, CE	1	B
11*	180005	Surge protector, CE, After S/N BH2012050	1	B
<b>Recommended Parts: A = Truck Stock; B = Dist. Stock</b> <b>* = Not Shown</b>				

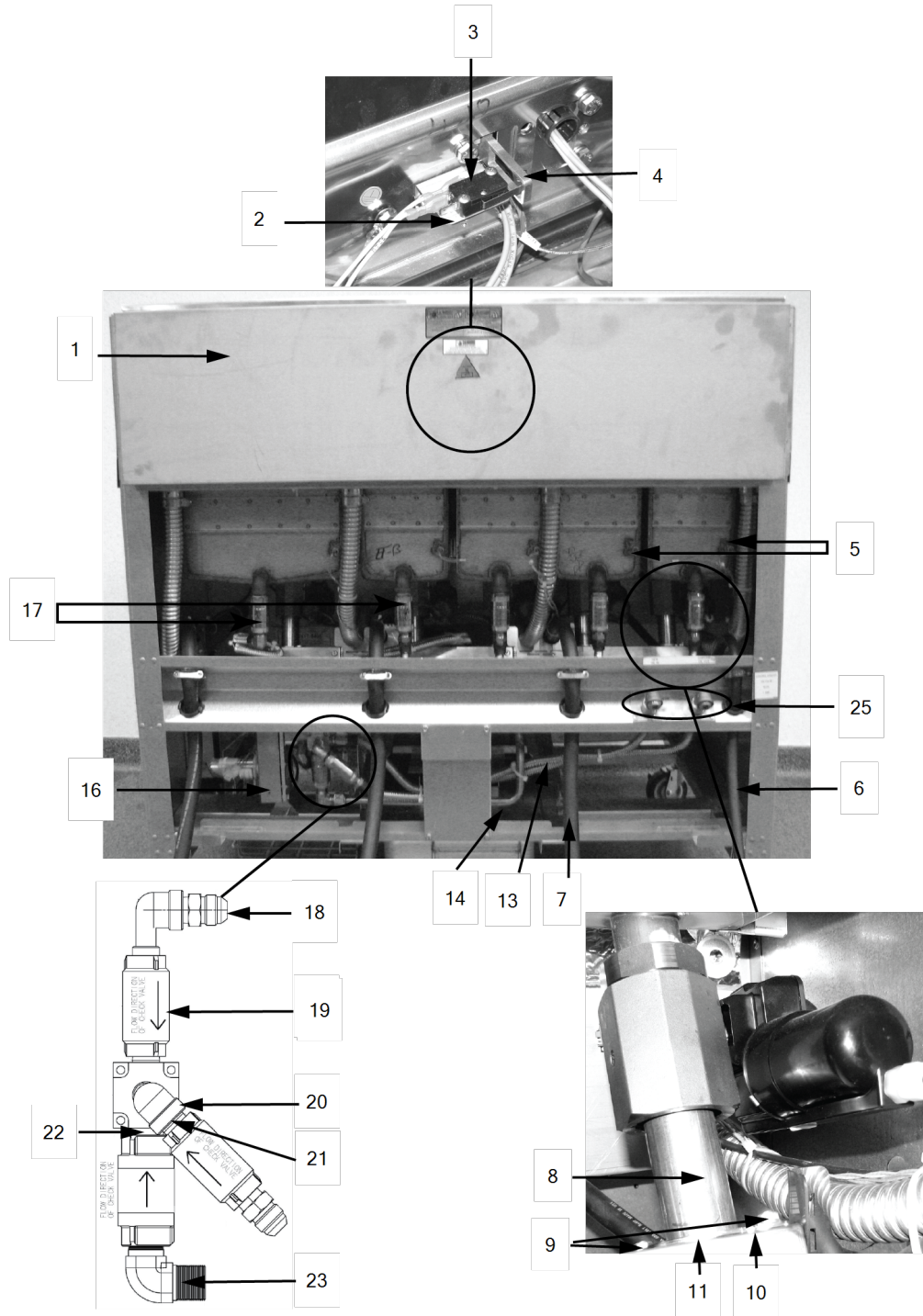


For the most up-to-date parts information, visit  
[https://parts.hennypennyhelp.com.](https://parts.hennypennyhelp.com)



For the most up-to-date parts information, visit  
<https://parts.hennypennyhelp.com>.

## Rear View





For the most up-to-date parts information, visit  
<https://parts.hennypennyhelp.com>.

Item No.	Part No.	Description	Qty.	Stocking Level
1	<a href="#">84372</a>	Rear shroud cover, LVE 202	1	
1	<a href="#">83681</a>	Rear shroud cover, LVE 203	1	
1	<a href="#">86345</a>	Rear shroud cover, LVE 204	1	
2	<a href="#">83034</a>	Switch mounting bracket	1/vat	
3	<a href="#">83096</a>	Element lift switch	1/vat	A
4	<a href="#">83038</a>	Element sense arm	1/vat	
5	<a href="#">140099</a>	Temperature probe, 3 in	1/vat	A
6	<a href="#">83333</a>	Interlock cord and plug assembly, 120 VAC	1	C
6	<a href="#">85335</a>	Interlock cord and plug assembly, CE	1	C
6	<a href="#">85754</a>	Interlock cord and plug assembly, France	1	C
6	<a href="#">85758</a>	Interlock cord and plug assembly, Italy	1	C
6	<a href="#">85759</a>	Interlock cord and plug assembly, Singapore and Hong Kong	1	C
6	<a href="#">85763</a>	Interlock cord and plug assembly, New Zealand	1	C
7	<a href="#">83331</a>	Power cord and plug assembly, 208/240 VAC	**	C
7	<a href="#">85337</a>	Power cord and plug assembly, CE	**	C
7	85760	Power cord and plug assembly, Singapore and Hong Kong	**	C
7	85761	Power cord and plug assembly, Norway	**	C



For the most up-to-date parts information, visit  
<https://parts.hennypennyhelp.com>.

Item No.	Part No.	Description	Qty.	Stocking Level
7	85762	Power cord and plug assembly, 8 ft Italy	**	C
7	<a href="#">173194</a>	Power cord and plug assembly, Australia	**	C
7	172917	Power cord and plug assembly, New Zealand	**	C
8	<a href="#">95704-001</a>	Fish valve to trough tube	1/vat	
8	<a href="#">95704-002</a>	S/F valve to trough tube	1/vat	
9	<a href="#">NS04-004</a>	Nut	2	
10	<a href="#">86442</a>	Shim	2	
11	<a href="#">84419</a>	Drain trough seal clamp	1	
12*	<a href="#">76948</a>	O-ring between drain valve and trough, 325	A/R	
13	<a href="#">77523-0XX</a>	Suction tube ( <a href="#">See diagram</a> )	A/R	
14	<a href="#">88679</a>	Pump to selector valve tube assembly, LVE 202	1	
14	<a href="#">85869</a>	Pump to selector valve tube, LVE 203/204	1	
15*	<a href="#">140537</a>	Drain pan switch replacement kit	1	A
16		Selector valve (See <a href="#">Selector Valve Assembly</a> ) Technical Service approval is required prior to ordering selector valve.	1	
17	<a href="#">74469</a>	Check valve, ½ in, full vat (SN before BH1906074)	A/R	A



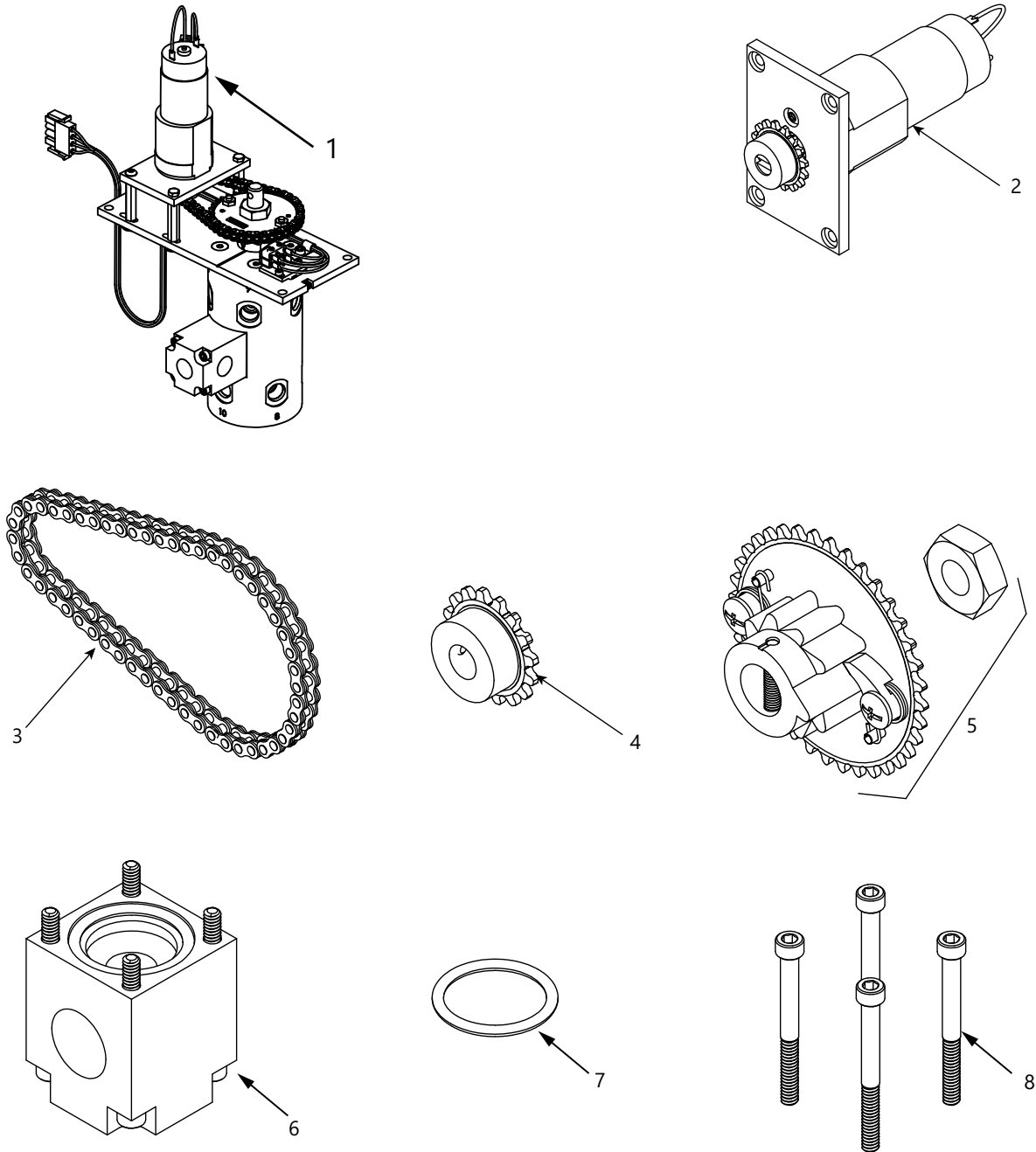
For the most up-to-date parts information, visit  
<https://parts.hennypennyhelp.com>.

Item No.	Part No.	Description	Qty.	Stocking Level
17	<a href="#">175651</a>	Check valve elbow fitting, 90° (SN after BH1906075)	A/R	A
18	<a href="#">FP01-238</a>	Flare fitting, 3/8 in NPT straight, 45°	1	
19	<a href="#">35472</a>	Pressure check valve	2	A
20	<a href="#">FP01-087</a>	Street elbow, 3/8 in NPT, SS	2	
21	<a href="#">FP02-001</a>	Close nipple, 3/8	2	
22	<a href="#">FP01-028</a>	Close nipple, 1/2 in NPT, SS, large	1	
23	<a href="#">17407</a>	Elbow connector, 1/2 in, male	1	
24*	<a href="#">MS01-169</a>	Loctite check valve thread locker, 0.8 oz	1	A
25	<a href="#">FP01-127</a>	1/2 x 1/2, 90° street elbow	A/R	
<b>Recommended Parts: A = Truck Stock; B = Dist. Stock</b> * = Not Shown A/R = As Required				



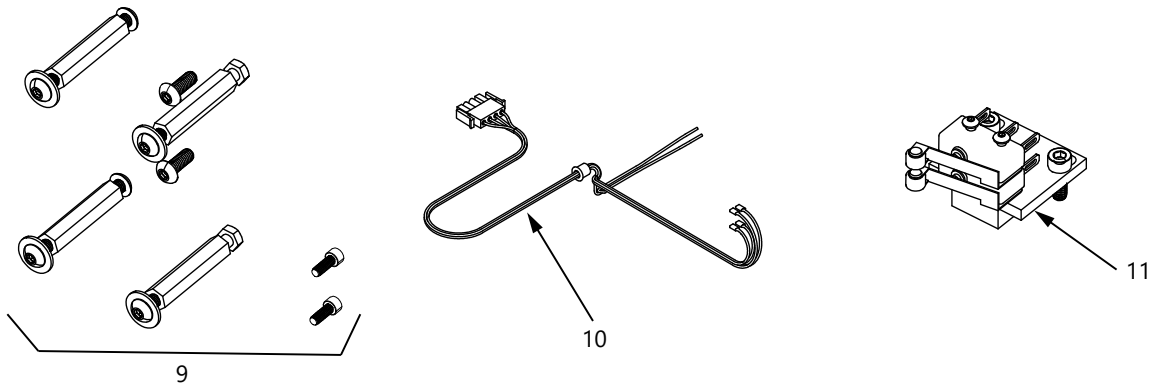
For the most up-to-date parts information, visit  
<https://parts.hennypennyhelp.com>.

## Selector Valve Assembly





For the most up-to-date parts information, visit  
<https://parts.hennypennyhelp.com>.



Item No.	Part No.	Description	Qty.	Stocking Level
1	<a href="#">84282</a>	Selector valve assembly	1	C
2	<a href="#">84282-001</a>	Selector valve motor	1	B
3	<a href="#">84282-003</a>	Selector valve chain	1	
4	<a href="#">84282-004</a>	Selector valve sprocket	1	
5	<a href="#">84282-005</a>	Selector valve sprocket nut	1	
6	<a href="#">84282-006</a>	Selector valve manifold	1	
7	<a href="#">84282-007</a>	Selector valve o-ring	1	
8	<a href="#">84282-008</a>	Selector valve manifold fasteners	1	
9	<a href="#">84282-009</a>	Selector valve mounting hardware	1	
10	<a href="#">84282-010</a>	Selector valve switch and motor harness	1	
11	<a href="#">84282-011</a>	Selector valve switch	1	A
12*	<a href="#">FP01-237</a>	Selector valve plug	A/R	
13*	<a href="#">173418-001</a>	Silicone o-ring, AS568, 468ID	A/R	

**Recommended Parts: A = Truck Stock; B = Dist. Stock**  
**\* = Not Shown**



For the most up-to-date parts information, visit  
<https://parts.hennypennyhelp.com>.

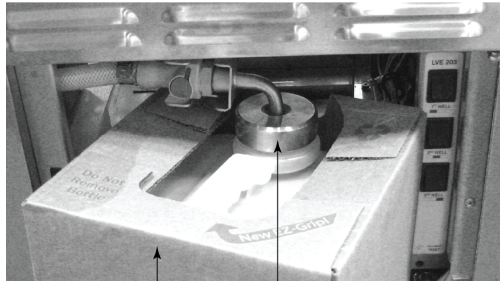
## Flex Hose Assembly

Part No.	Length
<a href="#">77523-001</a>	12 in
<a href="#">77523-002</a>	18 in
<a href="#">77523-003</a>	24 in
<a href="#">77523-004</a>	30 in
<a href="#">77523-005</a>	36 in
<a href="#">77523-006</a>	42 in
<a href="#">77523-007</a>	48 in
<a href="#">77523-008</a>	7 in
<a href="#">77523-009</a>	13 in
<a href="#">77523-010</a>	54 in
<a href="#">77523-011</a>	10 in
<a href="#">77523-012</a>	8 in
<a href="#">77523-013</a>	21 in
<a href="#">77523-014</a>	9 in
<a href="#">77523-015</a>	14 in
<a href="#">77523-016</a>	15.5 in



For the most up-to-date parts information, visit <https://parts.hennypennyhelp.com>.

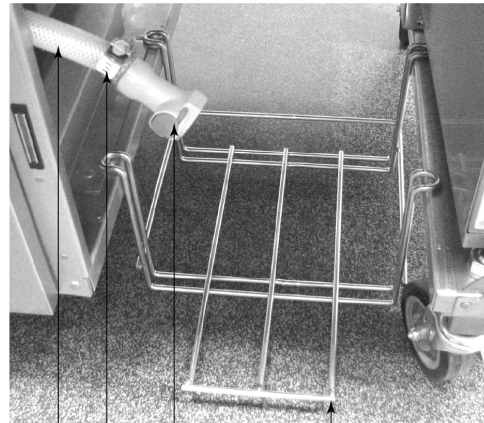
## JIB Assembly



09170012

1

2



3

4

5

6

Item No.	Part No.	Description	Qty.	Stocking Level
1	<a href="#">03617</a>	ATO JUG accessory	1	
2	<a href="#">85738</a>	JIB tube and quick disconnect assembly	1	B
2	<a href="#">151694</a>	JIB tube assembly, Russian (Before Oct.1, 2019)	1	B
2	<a href="#">85737</a>	JIB tube and quick disconnect assembly, CE	1	B
2	<a href="#">MS01-561</a>	- JIB tube O-ring	1	A
2	<a href="#">FP05-017</a>	- Quick disconnect, 3/8 in	1	A
3	<a href="#">89622-001</a>	Hose	1	B
4	<a href="#">MS01-297</a>	Hose clamp	2	



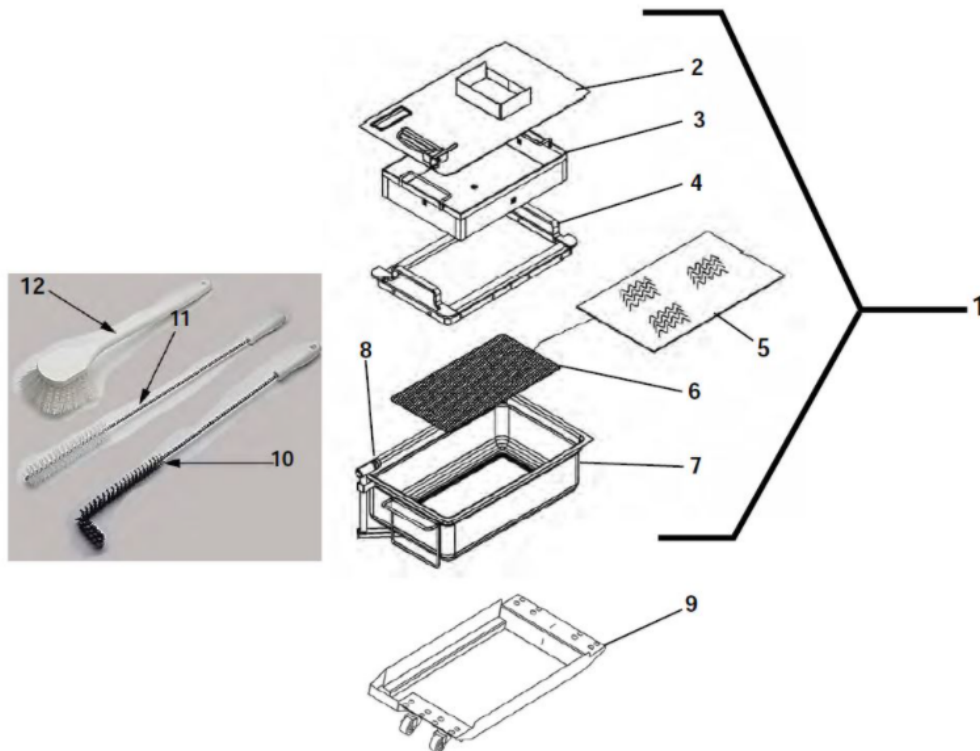
For the most up-to-date parts information, visit  
<https://parts.hennypennyhelp.com>.

Item No.	Part No.	Description	Qty.	Stocking Level
5	<a href="#">FP05-016</a>	Quick disconnect, ½ in	1	A
6	<a href="#">83539</a>	JIB shelf assembly	1	
6	<a href="#">87189</a>	JIB shelf assembly (Singapore only)	1	
6	<a href="#">96441</a>	Raise JIB shelf, Russian (Before Oct.1, 2019)	1	
<b>Recommended Parts: A = Truck Stock; B = Dist. Stock</b> <b>* = Not Shown</b>				



For the most up-to-date parts information, visit <https://parts.hennypennyhelp.com>.

## Filter Pan Assembly



Item No.	Part No.	Description	Qty.	Stocking Level
1	<a href="#">84286</a>	Filter pan assembly (before BH1606034)	1	
1	<a href="#">97900</a>	Filter pan assembly (BH1606034 and after)	1	
2	<a href="#">152264</a>	- Filter pan cover assembly	1	
3	<a href="#">163322</a>	- Crumb catcher assembly	1	
4	<a href="#">85503</a>	- Filter weight assembly	1	



For the most up-to-date parts information, visit  
<https://parts.hennypennyhelp.com>.

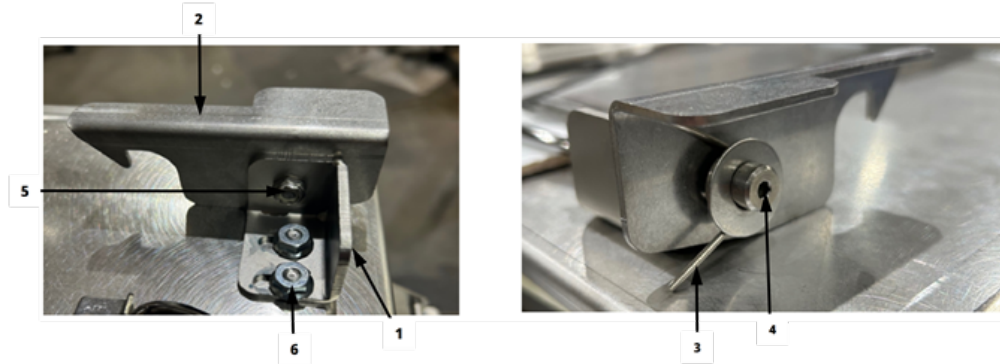
Item No.	Part No.	Description	Qty.	Stocking Level
5	03190-054	- McDonald's filter kit – not supplied by Henny Penny, includes fryer cleaner, 30 filter pads, and green cleaner pad.	1	
6	<a href="#">85519</a>	- Filter section	1	
7	<a href="#">84652</a>	- Filter pan only (before BH1606034)	1	
7	<a href="#">163925</a>	- Filter pan only (BH1606034 and after)		
8	<a href="#">175860</a>	Pick-up tube o-ring service pack (qty 12)	1	A
9	<a href="#">85584</a>	Filter pan dolly only	1	
9	<a href="#">19004</a>	- Swivel caster, 2 in.	4	
9	<a href="#">SC01-009</a>	-- Screw	16	
9	<a href="#">NS04-005</a>	-- Locknut	16	
10	<a href="#">12126</a>	Black L brush	1	B
11	<a href="#">12112</a>	Straight white brush	1	B
12	<a href="#">12116</a>	Long handle fryer brush	1	B

**Recommended Parts: A = Truck Stock; B = Dist. Stock**  
**\* = Not Shown**



For the most up-to-date parts information, visit  
<https://parts.hennypennyhelp.com>.

## Filter Pan Lid Latch Assembly

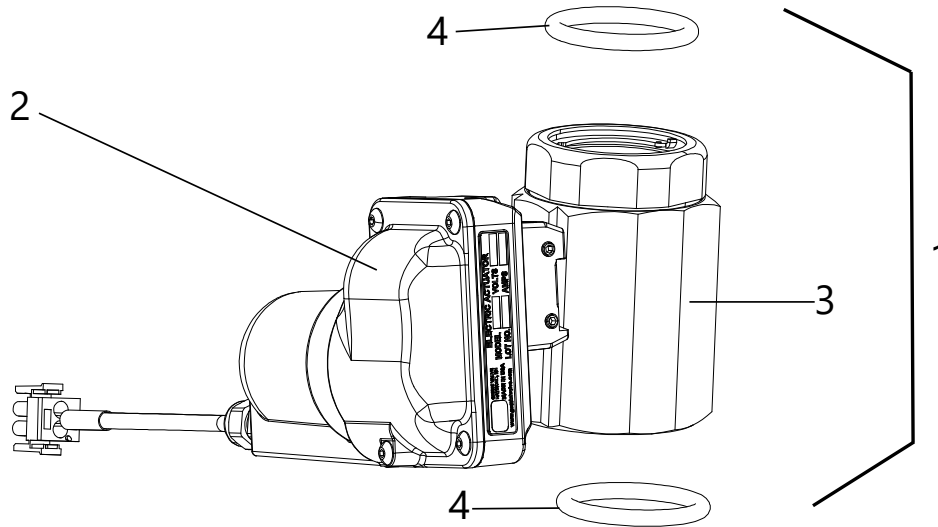


Item No.	Part No.	Description	Qty.	Stocking Level
1	<a href="#">84655</a>	Lid latch bracket	1	
2	<a href="#">84656</a>	Lid latch	1	
3	<a href="#">88576</a>	Lid latch spring	1	
4	<a href="#">SC06-081</a>	Lid latch bolt	1	
5	<a href="#">NS03-107</a>	Lid latch nut	1	
6	<a href="#">NS04-004</a>	Lid latch mounting nut	2	
Recommended Parts: A = Truck Stock; B = Dist. Stock				



For the most up-to-date parts information, visit <https://parts.hennypennyhelp.com>.

## SmartTouch Drain Valve Assembly



Item No.	Part No.	Description	Qty.	Stocking Level
1		Drain valve and actuator assembly (not covered under warranty)		
2	<a href="#">86157</a>	Drain valve actuator (only)	1	B
3	<a href="#">140244</a>	Drain valve (includes O-ring)	1	B
4	<a href="#">84415</a>	O-ring, 326	2	B
5*	<a href="#">76948</a>	Drain tube to trough o-ring	1/vat	

Recommended Parts: A = Truck Stock; B = Dist. Stock  
\* = Not Shown

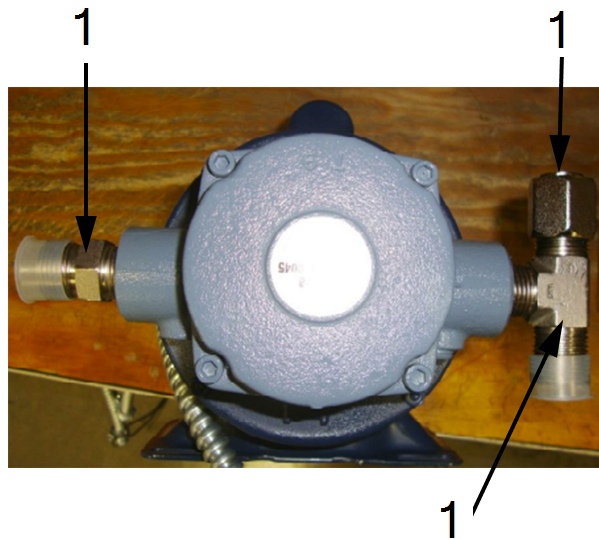
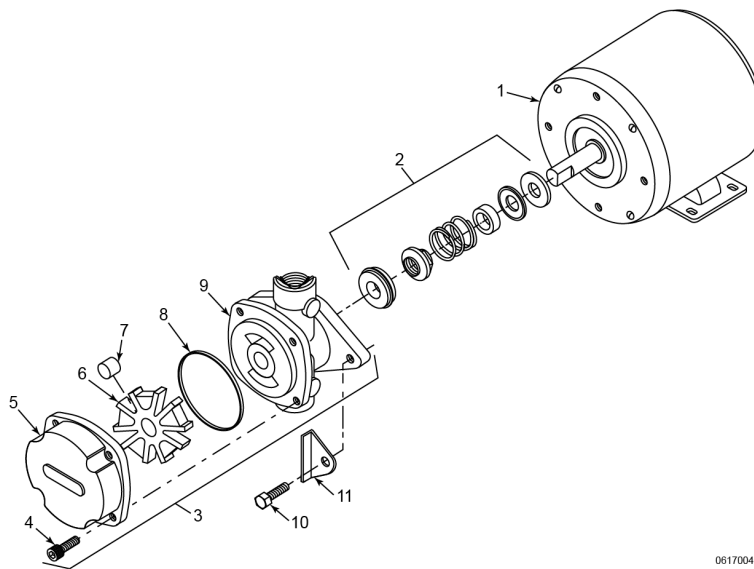


For the most up-to-date parts information, visit  
<https://parts.hennypennyhelp.com>.

## Filter Pump and Motor Assemblies

### Flange Mount Filter Pump Motor Assembly

Units Manufactured Prior to Oct 2018, Serial No. before BH1810058





For the most up-to-date parts information, visit  
<https://parts.hennypennyhelp.com>.

Item No.	Part No.	Description	Qty.	Stocking Level
1	<a href="#">67583</a>	Motor, 1/2 HP, 60 Hz	1	A
1	<a href="#">92850</a>	Motor, 1/2 HP, 50 Hz	1	A
2	<a href="#">17476</a>	Seal kit	1	A
3	<a href="#">171168</a>	5 GPM pump assembly	1	B
4	<a href="#">SC01-132</a>	- Pump cover screw	1	
5	<a href="#">171171</a>	- Pump cover	1	
6	<a href="#">171170</a>	- Pump rotor	1	
7	<a href="#">171169</a>	- Pump roller (set of 5)	1	A
8	<a href="#">162498</a>	- O-ring	1	B
9	N/A	Pump body not sold separately. Use <a href="#">171168</a> .		
10	<a href="#">SC01-026</a>	Pump motor shield screw	1	
11	<a href="#">17456</a>	Pump motor shield, CE	1	
12	<a href="#">16807</a>	Fitting, Straight Connector, Male	1	
13	<a href="#">FP01-244</a>	Fitting Cap, 5/8, Flareless	1	
14	<a href="#">FP01-245</a>	Fitting, Pipe Branch Tee, Male	1	
<b>Recommended Parts: A = Truck Stock; B = Dist. Stock</b>				

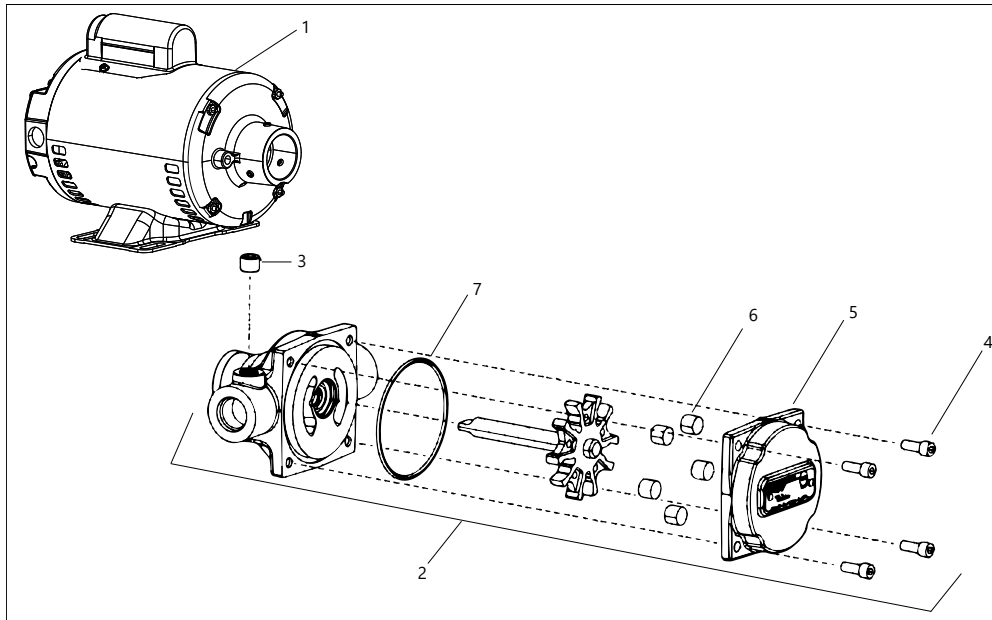


For the most up-to-date parts information, visit  
<https://parts.hennypennyhelp.com>.

## Hub Mount Filter Pump Motor Assembly

Not Included in Original Manufactured Assembly

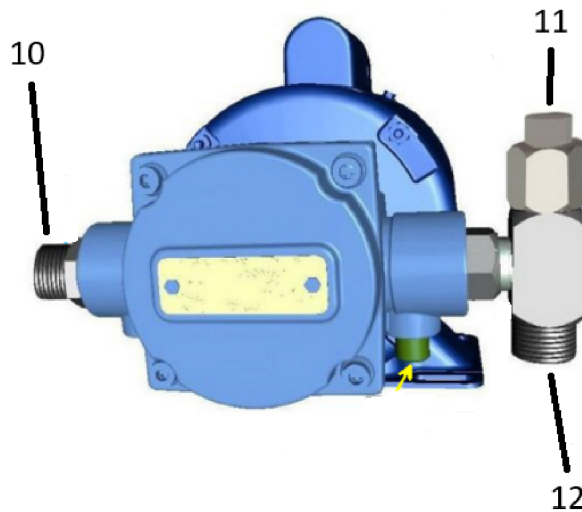
Units Manufactured After Oct 2018, Serial No. after BH1810058



**NOTICE -** Do not separate the filter pump rotor and body. Separating the rotor and body will cause permanent pump shaft seal damage.



For the most up-to-date parts information, visit  
<https://parts.hennypennyhelp.com>.



Item No.	Part No.	Description	Qty.	Stocking Level
1	<a href="#">164184-001</a>	1/2 HP / 60Hz motor	1	A
1	<a href="#">164184-002</a>	1/2 HP / 50Hz motor, CE	1	A
2	<a href="#">164323</a>	5 GPM hub mounted filter pump assembly	1	A
3	<a href="#">-FP01-020</a>	Hex socket plug, 1/4 NPT	1	
4	<a href="#">-SC01-132</a>	Pump cover screw (qty. 50)	A/R	
5		Pump cover not sold separately		
6	<a href="#">-171169</a>	Pump roller kit (set of 5), 5 GPM	1	A
7	<a href="#">-162498</a>	Pump cover o-ring	1	A
8*	<a href="#">140590</a>	Filter pump conversion hardware	1	
9*	<a href="#">168510</a>	Motor shield, CE	1	
10	<a href="#">FP01-341</a>	Connector, SAE 10 O-R, SAE 10 FLRLS	1	



For the most up-to-date parts information, visit  
<https://parts.hennypennyhelp.com>.

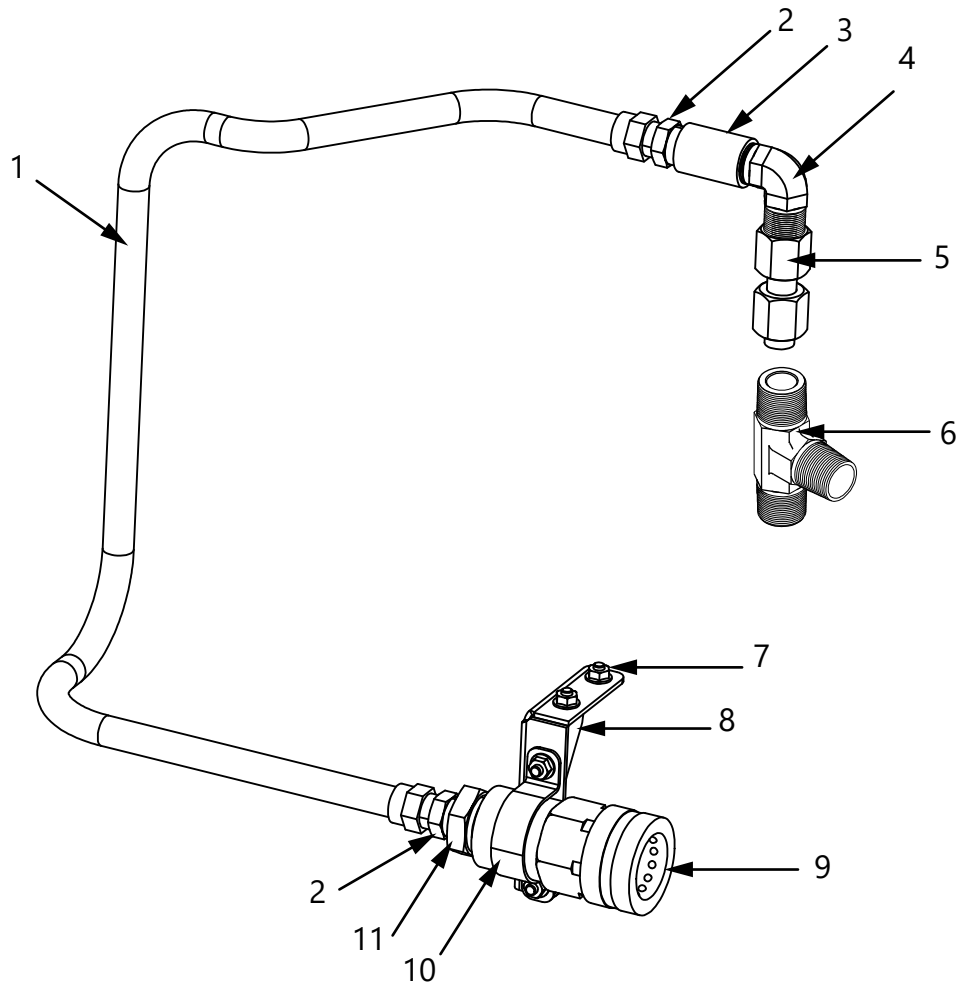
Item No.	Part No.	Description	Qty.	Stocking Level
11	<a href="#">FP01-244</a>	Fitting, cap 5/8 flareless tube	1	
12	<a href="#">FP01-355</a>	Tee, SAE 10 X SAE 10 ORB male	1	
<b>Recommended Parts: A = Truck Stock; B = Dist. Stock</b>				

NOTE: Kit [140590](#) does NOT include filter pump or motor. It only includes hardware.  
 NOTE: Prime retrofit filter pump and motor fittings cannot be used with hub mounted filter pump and motor assembly. Mounting plate holes will not align.



For the most up-to-date parts information, visit  
<https://parts.hennypennyhelp.com>.

## Oil Disposal Plumbing (France)



Item No.	Part No.	Description	Qty.	Stocking Level
1	<a href="#">77523-004</a>	Flexible suction tube, 30 in	1	
2	<a href="#">FP01-242</a>	Flare fitting, ½ NPT male to 45 degree male	2	



For the most up-to-date parts information, visit  
<https://parts.hennypennyhelp.com>.

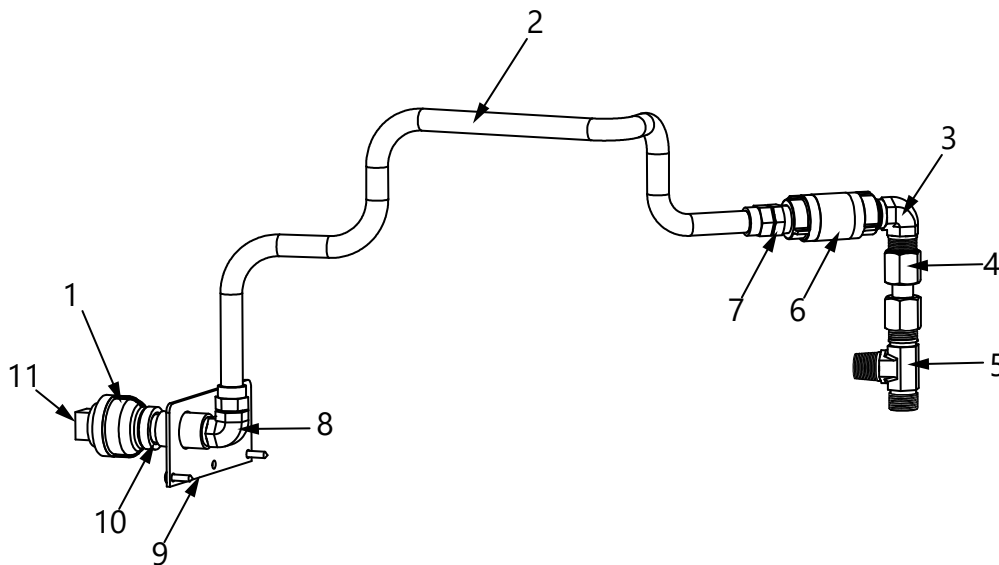
Item No.	Part No.	Description	Qty.	Stocking Level
3	<a href="#">FP01-066</a>	Coupling, ½ NPT, SS	1	
4	<a href="#">17407</a>	Elbow connector, ½ in, male	1	
5	<a href="#">84288</a>	Plug and play to pump inlet assembly	1	
6	<a href="#">FP01-245</a>	Pipe branch tee male fitting	1	
7	<a href="#">NS04-005</a>	Hex locking nut, ¼ x 20	4	
8	<a href="#">86685</a>	Drain mounting bracket assembly	1	
9	<a href="#">80752</a>	Quick couple female fitting	1	
10	<a href="#">86690</a>	Drain tube clamp	1	
11	<a href="#">FP01-241</a>	Fitting reducer, 1 in NPT male x ½ NPT female	1	

**Recommended Parts: A = Truck Stock; B = Dist. Stock**  
**\* = Not Shown**



For the most up-to-date parts information, visit  
<https://parts.hennypennyhelp.com>.

## Oil Disposal Plumbing (Australia)



Item No.	Part No.	Description	Qty.	Stocking Level
1	<a href="#">FP01-217</a>	Reduce coupler, 1 female x ½ in female	1	
2	<a href="#">77523-004</a>	Flexible suction tube, 30 in	1	
3	<a href="#">17407</a>	Elbow connector, ½ in male	1	



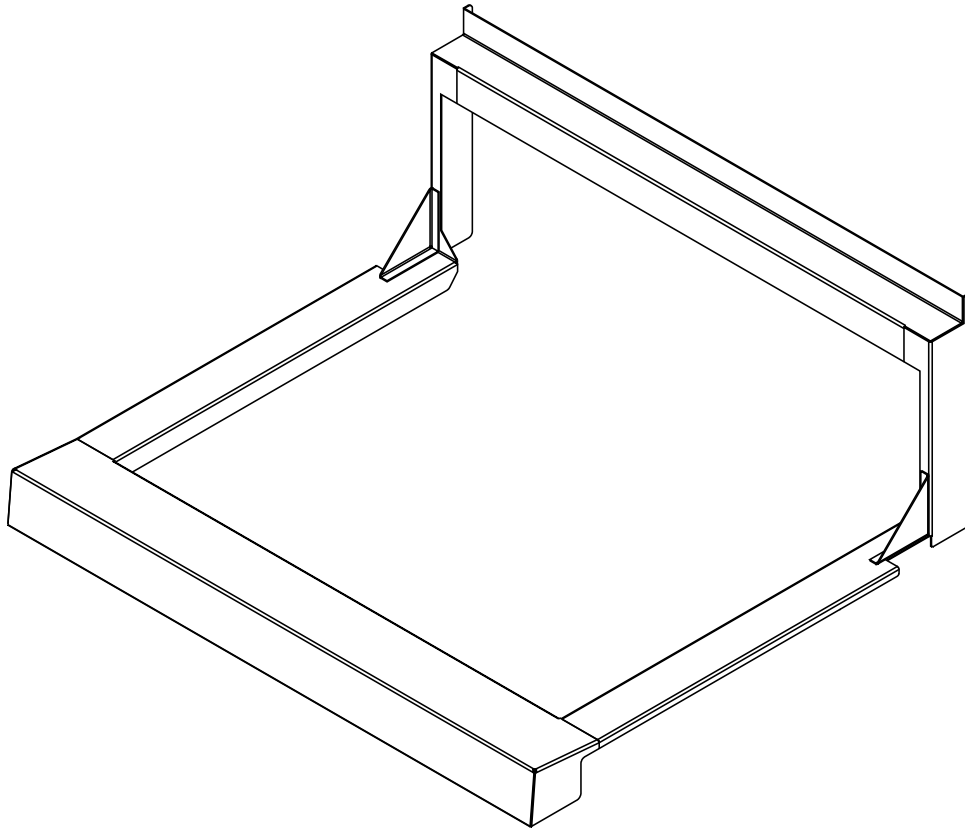
For the most up-to-date parts information, visit  
<https://parts.hennypennyhelp.com>.

Item No.	Part No.	Description	Qty.	Stocking Level
4	<a href="#">84288</a>	Plug and play to pump inlet assembly	1	
5	<a href="#">FP01-245</a>	Pipe branch tee male fitting	1	
6	<a href="#">74469</a>	Check valve, ½ in	1	
7	<a href="#">FP01-242</a>	Fitting, ½ in NPT male to 45 flare	1	
8	<a href="#">FP01-205</a>	Elbow, ½ in NPT male 45 flare	1	
9	<a href="#">85701</a>	RTI oil connection assembly	1	
10	<a href="#">FP01-023</a>	Close nipple, ½ in, black	1	
11	<a href="#">FP01-218</a>	Pipe plug, 1 in	1	
<b>Recommended Parts: A = Truck Stock; B = Dist. Stock</b> <b>* = Not Shown</b>				



For the most up-to-date parts information, visit  
<https://parts.hennypennyhelp.com>.

## Fry Cap Accessories



Item No.	Part No.	Description	Qty.	Stocking Level
1	<a href="#">03618</a>	LVE 202 fry cap accessory	1	
1	<a href="#">03619</a>	LVE 203 fry cap accessory	1	
1	<a href="#">03620</a>	LVE 204 fry cap accessory	1	
<b>Recommended Parts: A = Truck Stock; B = Dist. Stock</b> <b>* = Not Shown</b>				