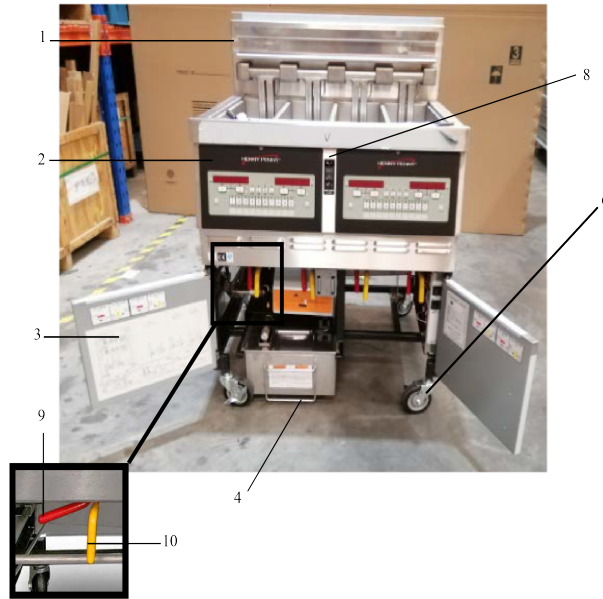




For the most up-to-date parts information, visit  
<https://parts.hennypennyhelp.com>.

## Front View



Item No.	Part No.	Description	Qty.	Stocking Level
1	<a href="#">154353-002</a>	Basket hanger, 072	1	
1	<a href="#">154327-002</a>	Basket hanger, 073	1	
1	<a href="#">154325-002</a>	Basket hanger, 074	1	
2	173237	Control assembly, KFC, Chinese	1/vat	B
2	<a href="#">140709</a>	-Control decal kit, KFC, Chinese	A/R	
2	182966	Control assembly, IOT, KFC, Chinese	1/vat	B
2	182862	- Control decal, IOT, KFC, Chinese	A/R	
2	182378	Control assembly, KFC, English	1/vat	B
2	<a href="#">140707</a>	- Control decal kit, KFC, English	A/R	



For the most up-to-date parts information, visit  
<https://parts.hennypennyhelp.com>.

Item No.	Part No.	Description	Qty.	Stocking Level
2*	<a href="#">171744</a>	Control decal, Chinese	A/R	
2*	182862	Control decal, Chinese	A/R	
2*	<a href="#">26974</a>	Speaker assembly	1/vat	A
3		See <a href="#">Door Assembly</a>		
4		See <a href="#">Filter Pan Assembly</a>		
5		See <a href="#">Filter Pump and Motor Assembly</a>		
6	<a href="#">77575</a>	Swivel caster with brake, 4 in	2	C
7	<a href="#">77679</a>	Swivel caster without brake, 4 in	2	C
8	<a href="#">52224</a>	Covered power switch	1	A
9	94092	Drain valve rod	1/vat	
9*	<a href="#">157599</a>	Fryer handle grip, red	1/vat	
10	156473	Oil return valve rod	1/vat	
10*	<a href="#">157600</a>	Fryer handle grip, yellow	1/vat	
11	94095	Filter valve drain rod, purge	1	
11*	<a href="#">157601</a>	Fryer handle grip, black	1	
12	<a href="#">18227</a>	Microswitch, 250° F	1/vat	A
13*	<a href="#">81915</a>	Half basket, red handle	A/R	
13*	<a href="#">181575</a>	Half basket, black handle	A/R	



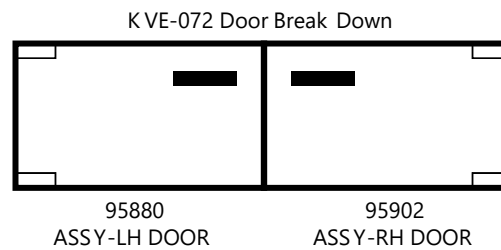
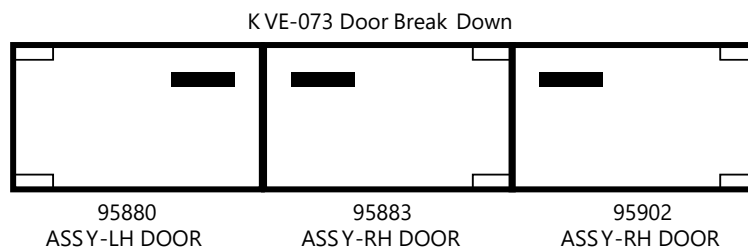
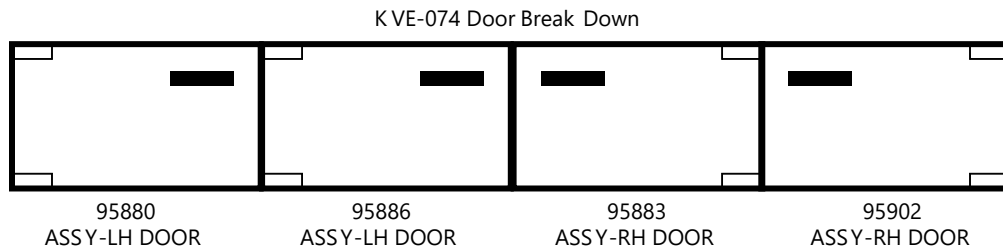
For the most up-to-date parts information, visit  
<https://parts.hennypennyhelp.com>.

Item No.	Part No.	Description	Qty.	Stocking Level
13*	187918	1/4 basket, black handle	A/R	
<p>Recommended Parts: A = Truck Stock; B = Dist. Stock            * = Not Shown            A/R = As Required</p>				



For the most up-to-date parts information, visit  
<https://parts.hennypennyhelp.com>.

## Door Assembly



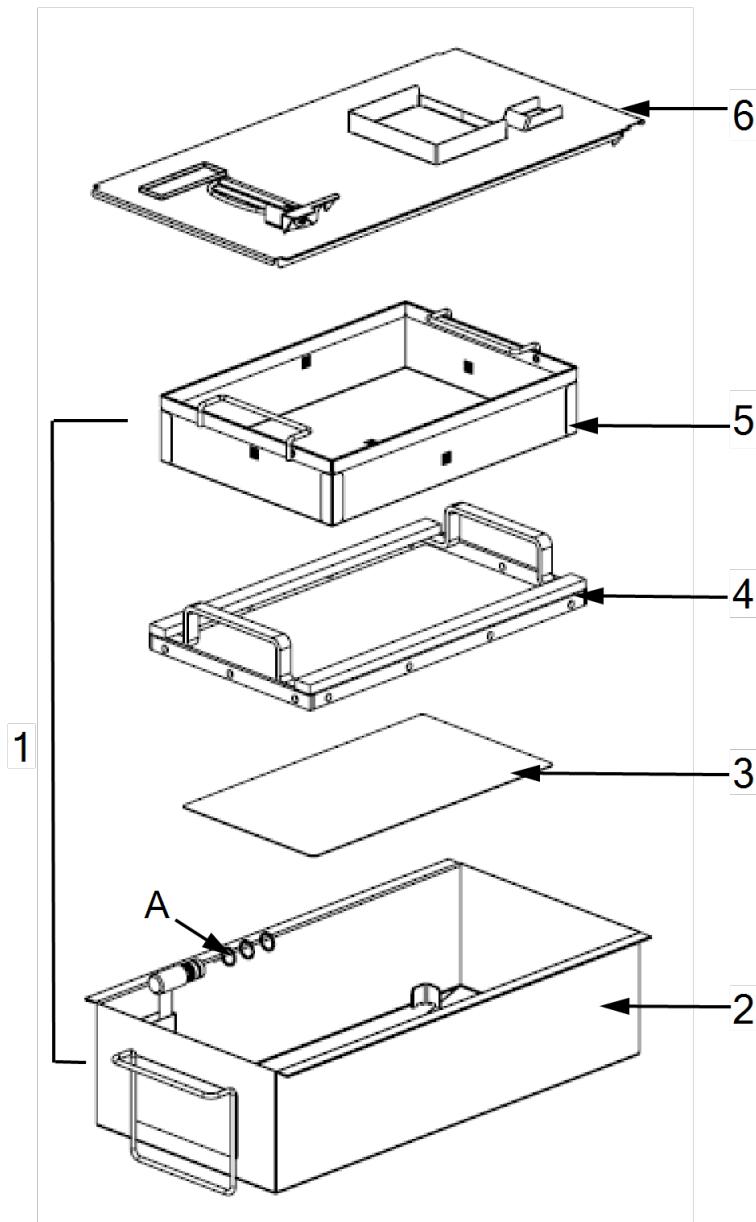
## Door Hinge Chart

Door	Top Hinge	Bottom Hinge	Screw (Hinge to Door)
95880	181076	181082	SC01-049
95883 / 95902	181076	181082	SC01-049
95886	181076	181082	SC01-049



For the most up-to-date parts information, visit  
<https://parts.hennypennyhelp.com>.

## Filter Pan Assembly





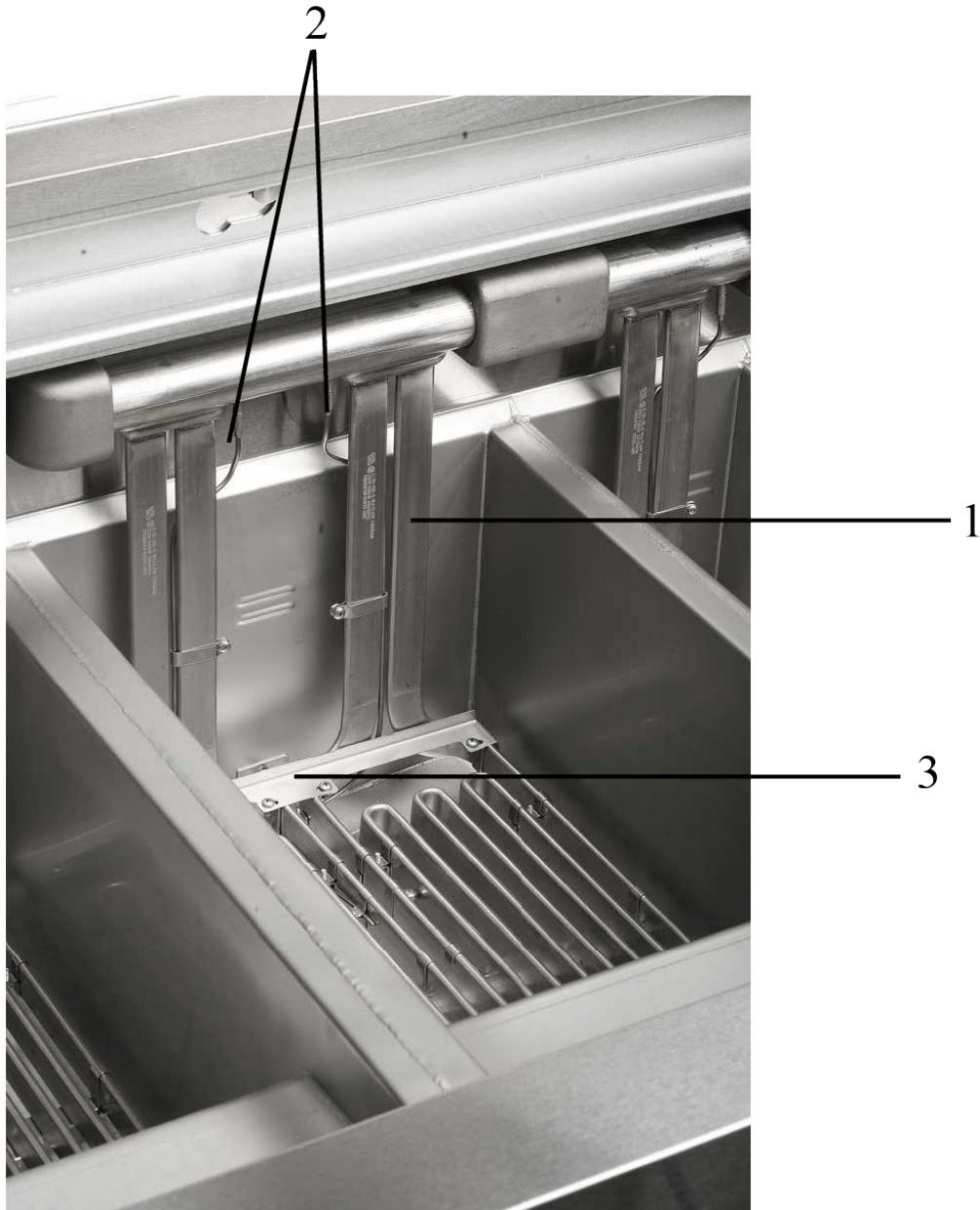
For the most up-to-date parts information, visit  
<https://parts.hennypennyhelp.com>.

Item No.	Part No.	Description	Qty.	Stocking Level
1	94188	Filter pan assembly	1	
2	90409	- Filter pan weld assembly	1	
3	<a href="#">180258</a>	- Filter section	1	
4	<a href="#">185140</a>	- Filter weight weld assembly	1	
5	<a href="#">157252</a>	- Crumb catcher weld assembly	1	
6	<a href="#">176057</a>	Filter pan cover assembly (071 only, w/ purge valve)	1	
6	94189	Filter pan cover assembly (072-074 w/ purge valve)	1	
6	170501	Filter pan cover assembly (071-074 w/o purge valve)	1	
7*	<a href="#">175860</a>	O-ring service pack (qty. 12)	1	A
<b>Recommended Parts: A = Truck Stock; B = Dist. Stock</b> <b>* = Not Shown</b> <b>A/R = As Required</b>				



For the most up-to-date parts information, visit  
<https://parts.hennypennyhelp.com>.

## Inside Vat





For the most up-to-date parts information, visit  
<https://parts.hennypennyhelp.com>.

Item No.	Part No.	Description	Qty.	Stocking Level
1	178442-002	4 wire heating element, 230/400 VAC, 50 Hz, 7 kW, 3 Ph, split vat	1/vat	B
1	<a href="#">178442-005</a>	4 wire heating element, 220/380 VAC, 50 Hz, 7 kW, 3 Ph, split vat	1/vat	B
1	<a href="#">178442-006</a>	4 wire heating element, 240/415 VAC, 50 Hz, 7 kW, 3 Ph, split vat	1/vat	B
1	<a href="#">89899-002</a>	4 wire oil heating element, 230/400 VAC, 50 Hz, 14 kW, 3 Ph, full vat	1/vat	B
1	<a href="#">89899-005</a>	4 wire oil heating element, 220/380 VAC, 50 Hz, 14 kW, 3 Ph, full vat	1/vat	B
1	89899-006	4 wire oil heating element, 240/415 VAC, 50 Hz, 14 kW, 3 Ph, full vat	1/vat	B
1	<a href="#">89899-007</a>	3 wire oil heating element, 220 VAC 50 Hz, 14KW, 3Ph, full vat	1/vat	B
1	179685-001	4 wire oil heating element, 240/415 VAC, 50Hz, 17KW, 3Ph, full vat	1/vat	B
1	179685-002	4 wire oil heating element, 220/380 VAC, 50Hz, 17KW, 3Ph, full vat	1/vat	B
1	<a href="#">179685-003</a>	4 wire oil heating element, 230/400 VAC, 50Hz, 17KW, 3Ph, full vat	1/vat	B
2	<a href="#">96887</a>	High limit single thermocouple service pack: - Full Vats (All Units) - Split Vats (LB2307011 and before or <a href="#">181867</a> depending on heater installed)	A/R	A



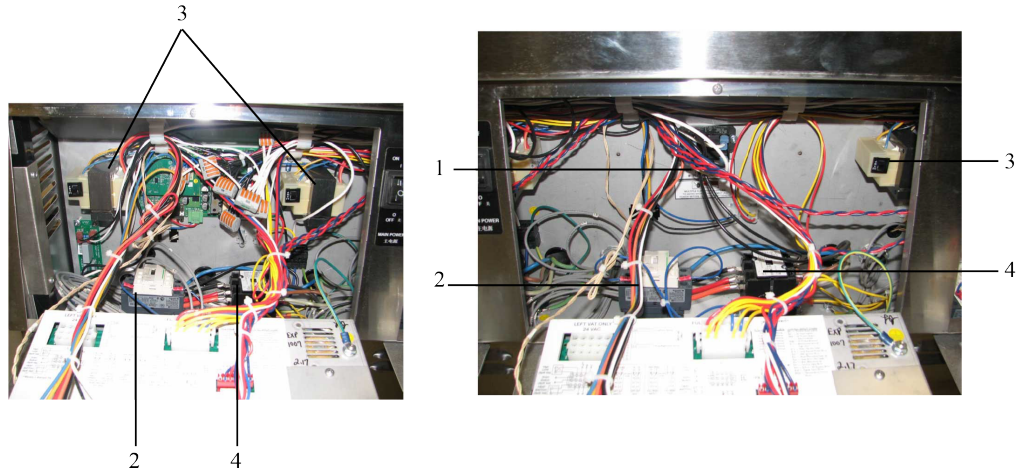
For the most up-to-date parts information, visit  
<https://parts.hennypennyhelp.com>.

Item No.	Part No.	Description	Qty.	Stocking Level
2	<a href="#">181867</a>	High limit dual thermocouple service pack: - Split vat only (LB2307012 and after)	A/R	A
3	173048	Element guard, full	1/element	
3	<a href="#">173049</a>	Element guard, split	1/element	
4*	<a href="#">03624</a>	Weld assembly cover, full	1/vat	
4*	<a href="#">03623</a>	Weld assembly cover, split	1/vat	
5*	<a href="#">172430</a>	Vat rack, split	1/vat	B
5*	<a href="#">151838</a>	Vat rack, full	1/vat	B
<b>Recommended Parts: A = Truck Stock; B = Dist. Stock</b> <b>* = Not Shown</b> <b>A/R = As Required</b>				



For the most up-to-date parts information, visit  
<https://parts.hennypennyhelp.com>.

## Electrical Assembly

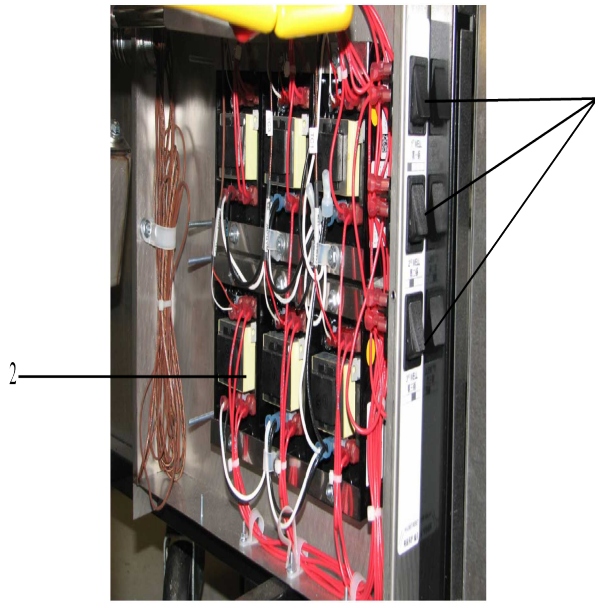


Item No.	Part No.	Description	Qty.	Stocking Level
1	<a href="#">ME90-011</a>	Relay coil, DPST, 24 VAC, N.O.30A	1	A
2	<a href="#">65073</a>	Contactora, square, D, 24 VAC	1/vat	A
3	<a href="#">86087</a>	Transformer assembly, 240VAC, 24VAC, 75VA	1/vat	A
4	51795	Contactora, 24 VAC	1/vat	A
*	<a href="#">EF02-125</a>	Push button reset breaker	A/R	A
<b>Recommended Parts: A = Truck Stock; B = Dist. Stock</b> <b>* = Not Shown</b> <b>A/R = As Required</b>				



For the most up-to-date parts information, visit  
<https://parts.hennypennyhelp.com>.

## High Limit and Momentary Switch

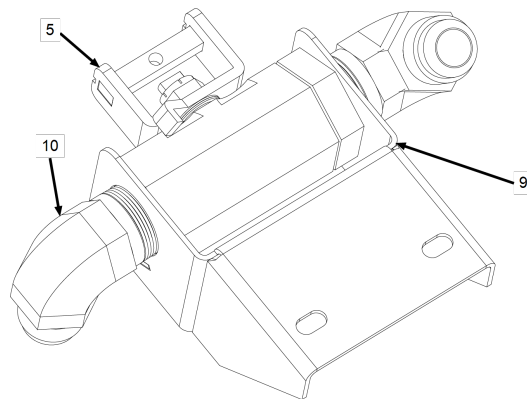
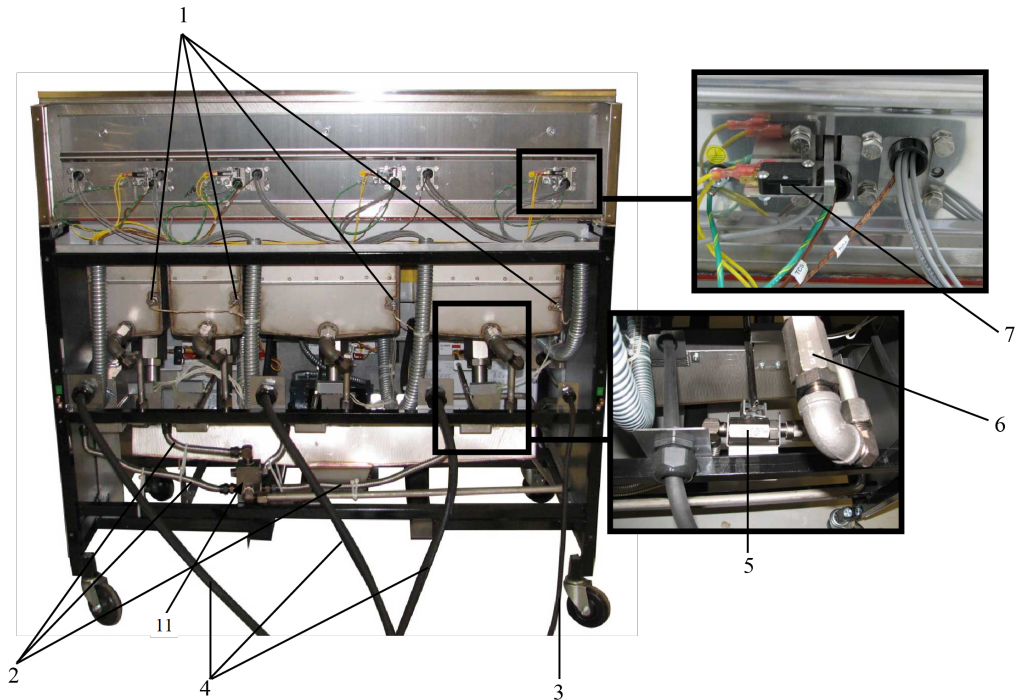


Item No.	Part No.	Description	Qty.	Stocking Level
1	<a href="#">84987</a>	High limit reset switch, N/O	A/R	A
2	<a href="#">175915-002</a>	High limit control service pack, 230 VAC, 575°F, yellow (Units built LB2307011 and before)	A/R	A
2	<a href="#">175915-006</a>	Dual Hi-Limit Thermocouple Service Pack, 240 VAC, 575°F, Black Circle (LB2307012 and after)	A/R	A
<b>Recommended Parts: A = Truck Stock; B = Dist. Stock</b> * = Not Shown A/R = As Required				



For the most up-to-date parts information, visit <https://parts.hennypennyhelp.com>.

## Rear View



Item No.	Part No.	Description	Qty.	Stocking Level
1	<a href="#">140372</a>	Probe/gauge kit, 3 in	A/R	A



For the most up-to-date parts information, visit  
<https://parts.hennypennyhelp.com>.

Item No.	Part No.	Description	Qty.	Stocking Level
2	<a href="#">77523-001</a>	Dormont suction tube, 12	A/R	B
2	<a href="#">77523-002</a>	Dormont suction tube, 18	A/R	B
2	<a href="#">77523-009</a>	Dormont suction tube, 13	A/R	B
2	<a href="#">77523-011</a>	Dormont suction tube, 10	A/R	B
2	<a href="#">77523-012</a>	Dormont suction tube, 8	A/R	B
2	<a href="#">77523-014</a>	Dormont suction tube, 9	A/R	B
2	<a href="#">77523-015</a>	Dormont suction tube, 14	A/R	B
2	<a href="#">77523-016</a>	Dormont suction tube, 15.5	A/R	B
2	<a href="#">77523-017</a>	Dormont suction tube, 21.5	A/R	B
2	<a href="#">77523-018</a>	Dormont suction tube, 23.5	A/R	B
2	<a href="#">77523-019</a>	Dormont suction tube, 28.5	A/R	B
4	<a href="#">85337</a>	Cord and plug assembly, CE	1/vat	
5	<a href="#">89762</a>	Filter valve, right, full	A/R	B
5	<a href="#">86827</a>	Filter valve, left, split	A/R	B
6	<a href="#">90506-001</a>	Check valve, SAE 12	1/vat	A
7	<a href="#">83096</a>	Element lift switch	1/vat	A
8*	<a href="#">95489</a>	Microswitch (return valve)	A/R	A
9	179922	N/A		
10	<a href="#">-FP01-205</a>	Elbow, 1/2 in	A/R	
11	<a href="#">167687</a>	Manifold block assembly, SF/FFF	A/R	
11	<a href="#">167688</a>	Manifold block assembly, FS	A/R	



For the most up-to-date parts information, visit  
<https://parts.hennypennyhelp.com>.

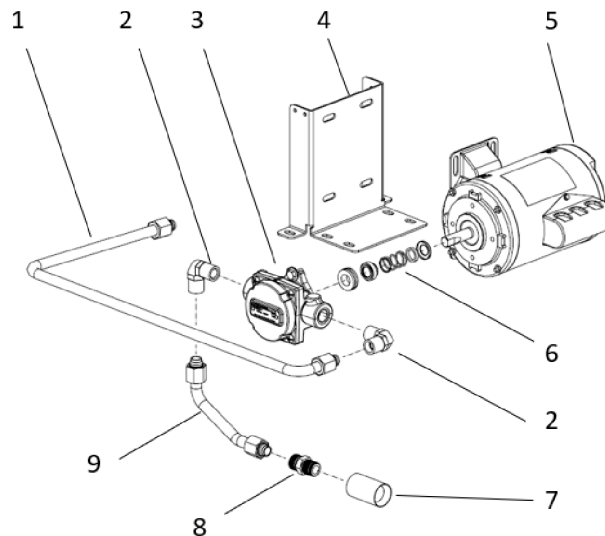
Item No.	Part No.	Description	Qty.	Stocking Level
11	<a href="#">167689</a>	Manifold block assembly, SS/FFS	A/R	
11	<a href="#">167692</a>	Manifold block assembly, FFFF	A/R	
12*	<a href="#">167415</a>	- Block manifold	1	
13*	<a href="#">17407</a>	- Elbow connector ,1/2 in, male	1	
14*	FP01-002	- Pipe plug, square head, 1/2 in, NPT	1	
15*	<a href="#">FP01-242</a>	- Ftg 1/2 in, NPT M to 45 flare M	3	
16*	<a href="#">MS01-169</a>	- Pipe sealant, white	A/R	
<b>Recommended Parts: A = Truck Stock; B = Dist. Stock</b> <b>* = Not Shown</b> <b>A/R = As Required</b>				



For the most up-to-date parts information, visit  
<https://parts.hennypennyhelp.com>.

## Filter Pump and Motor Assembly

### Filter Pump and Motor Assembly



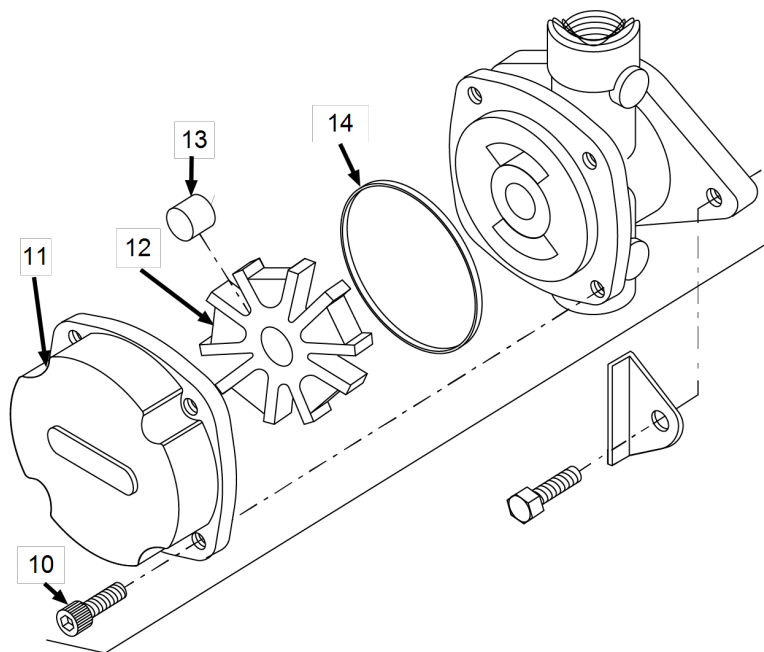
Item No.	Part No.	Description	Qty.	Stocking Level
1	<a href="#">176024</a>	Assy - oil return line tube - 071	1	
1	153896	Assy - oil return line tube - 072	1	
1	153765	Assy - oil return line tube - 073	1	
1	154089	Assy - oil return line tube - 074	1	
2	<a href="#">17407</a>	Connector 1/2 male elbow	2	
3	<a href="#">171168</a>	Assy - sub pump 5 GPM	1	B
4	154548	Bracket - motor	1	
5	<a href="#">153608</a>	Motor - 1/2 HP filter pump	1	A



For the most up-to-date parts information, visit  
<https://parts.hennypennyhelp.com>.

Item No.	Part No.	Description	Qty.	Stocking Level
6	<a href="#">17476</a>	Seal kit - mechanical - viton	1	A
7	<a href="#">83429</a>	Adapter - tube end	1	
8	<a href="#">16807</a>	Fitting connector male	1	
9	<a href="#">153733</a>	Assy - pump inlet tube	1	

Recommended Parts: A = Truck Stock; B = Dist. Stock  
 \* = Not Shown  
 A/R = As Required



Item No.	Part No.	Description	Qty.	Stocking Level
10	<a href="#">SC01-132</a>	- Pump cover screw	1	
11	<a href="#">171171</a>	- Pump cover	1	
12	<a href="#">171170</a>	- Pump rotor	1	



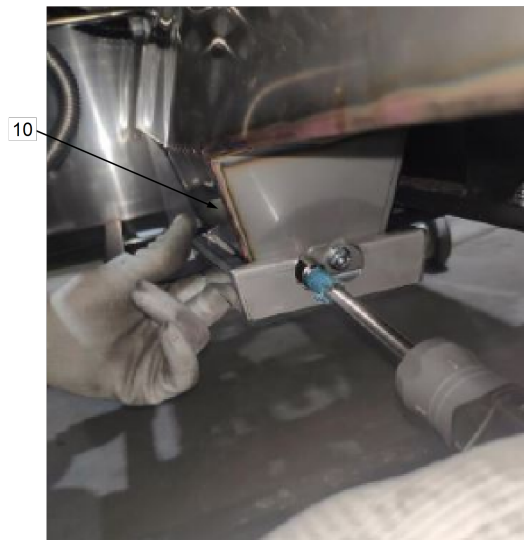
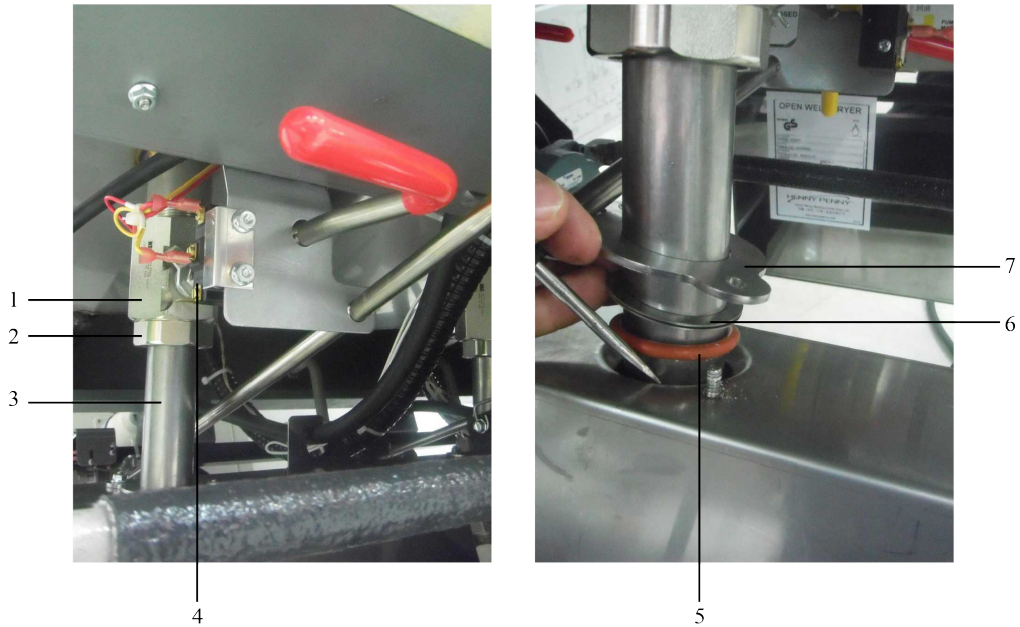
For the most up-to-date parts information, visit  
<https://parts.hennypennyhelp.com>.

Item No.	Part No.	Description	Qty.	Stocking Level
13	<a href="#">171169</a>	- Pump roller (set of 5)	1	A
14	<a href="#">162498</a>	- O-ring	1	B
<b>Recommended Parts: A = Truck Stock; B = Dist. Stock</b> * = Not Shown A/R = As Required				



For the most up-to-date parts information, visit <https://parts.hennypennyhelp.com>.

## Drain Valve Assembly



Item No.	Part No.	Description	Qty.	Stocking Level
1	<a href="#">NS04-002</a>	Microswitch bracket nut	1/vat	



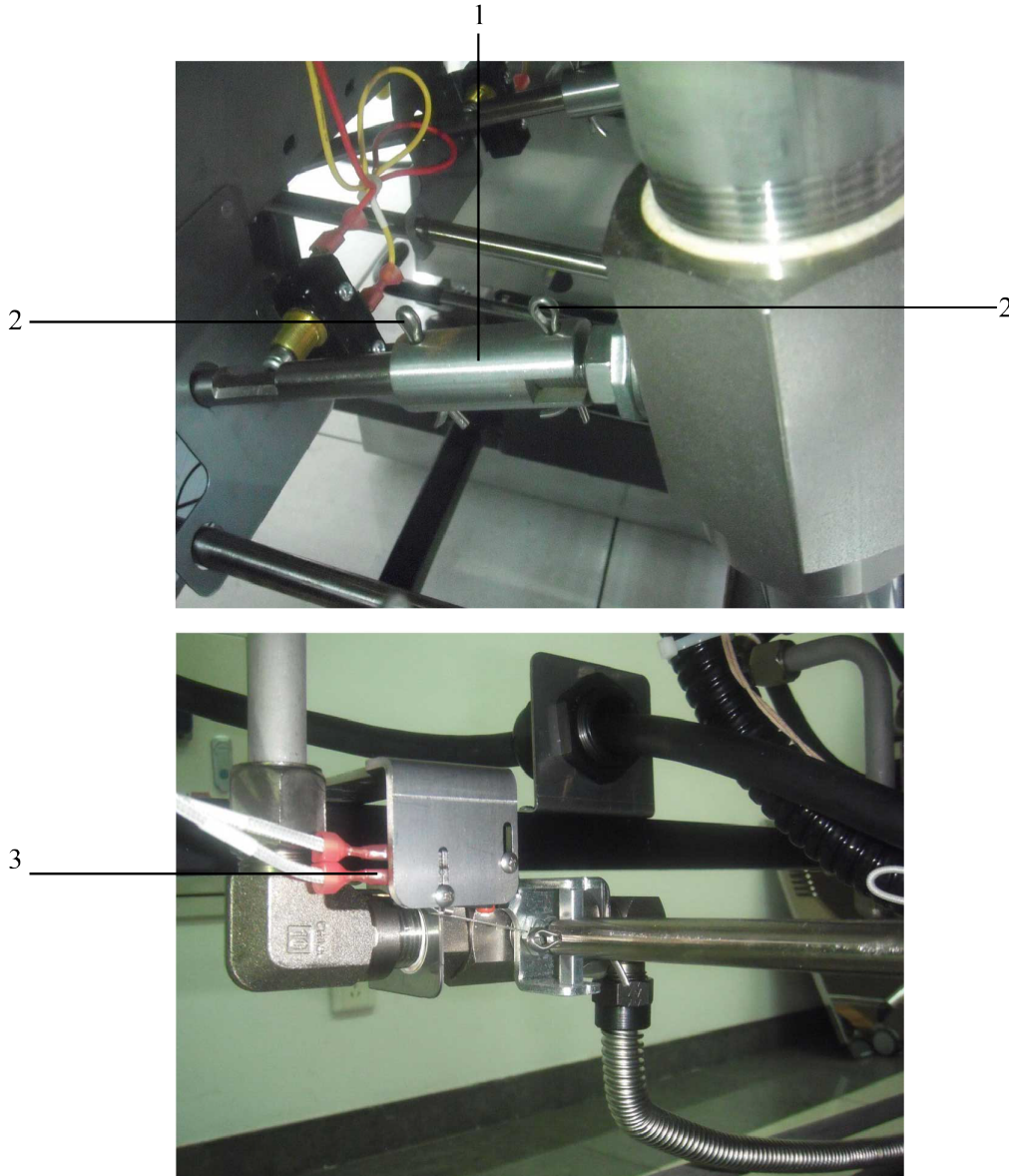
For the most up-to-date parts information, visit  
<https://parts.hennypennyhelp.com>.

Item No.	Part No.	Description	Qty.	Stocking Level
2	90676	Microswitch bracket	1/vat	
3	<a href="#">95489</a>	Drain valve microswitch	1/vat	A
4	<a href="#">89764</a>	Drain valve and cam lock, 1 1/2 NPT	1/vat	B
5	<a href="#">84415</a>	O-ring, 326	1/vat	
6	<a href="#">95704-003</a>	Valve to trough tube, 5.75	1/vat	
7	<a href="#">76948</a>	O-ring, 325	1/vat	
8	<a href="#">86442</a>	Trough seal shim	1/vat	
9	<a href="#">84419</a>	Drain trough seal clamp	1/vat	
10	<a href="#">183887</a>	Trough splash guard (service only)	1	
<b>Recommended Parts: A = Truck Stock; B = Dist. Stock</b> * = Not Shown A/R = As Required				



For the most up-to-date parts information, visit <https://parts.hennypennyhelp.com>.

## Drain Valve Coupling



Item No.	Part No.	Description	Qty.	Stocking Level
1	<a href="#">172153</a>	Drain valve coupling	1/vat	



For the most up-to-date parts information, visit  
<https://parts.hennypennyhelp.com>.

Item No.	Part No.	Description	Qty.	Stocking Level
2	<a href="#">17255</a>	Cotter pin	A/R	
3	<a href="#">95489</a>	Microswitch lever	1/vat	A
<p>Recommended Parts: A = Truck Stock; B = Dist. Stock            * = Not Shown            A/R = As Required</p>				