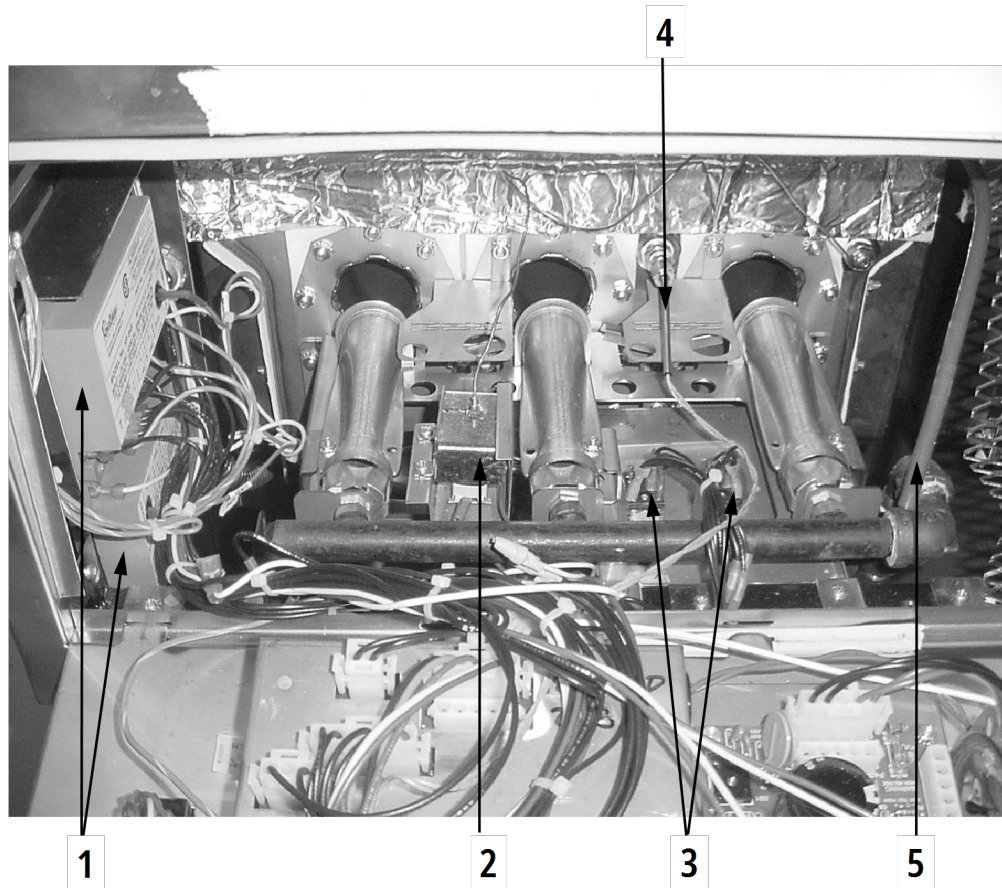




For the most up-to-date parts information, visit
<https://parts.hennypennyhelp.com>.

Gas Components



Item No.	Part No.	Description	Qty. per Well	Stocking Level
1	77602	Ignition Module, CE (OFG-SN: BR0804001 & Above) (OGA-SN: BS0805001 & Above)	2	A
1	77839	Ignition Module, Non -CE (OFG-SN: BR0804001 & Above) (OGA-SN: BS0805001 & Above)	2	A



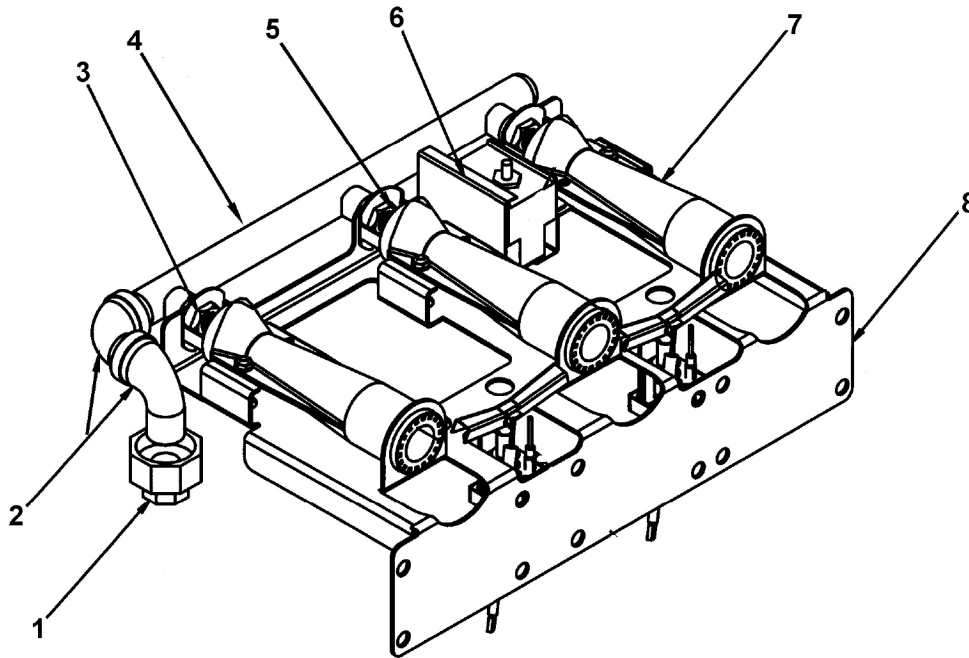
For the most up-to-date parts information, visit
<https://parts.hennypennyhelp.com>.

Item No.	Part No.	Description	Qty. per Well	Stocking Level
1	14933	Ignition Module Kit, Non-CE (OFG-SN: BR0803010 & Below) (OGA-SN: BS0804002 & Below)	1	A
1	14920	Ignition Module Kit, CE (OFG-SN: BR0803010 & Below) (OGA-SN: BS0804002 & Below)	1	A
2		High limit, See High Limit/Temperature Probe Assembly		A
3	60818	Relay, 10A-24VAC		A
4		Temperature probe assembly, See High Limit/Temperature Probe Assembly		A
5	60202	Vacuum switch hose		
6*	32792	Gas flex line assembly, 342		
7*	140940	Vacuum switch kit	1	A
Recommended Parts: A = Truck Stock; B = Dist. Stock * = Not Shown				



For the most up-to-date parts information, visit
<https://parts.hennypennyhelp.com>.

Gas Burner Assembly



Item No.	Part No.	Description	Qty. per Well	Stocking Level
1	FP01-091	Union, 1/2 NPT female, BI	1	
2	FP01-127	1/2 x 1/2, 90° street elbow	2	
3	NS03-067	Locking nut, 1/2-20 x 3/16	3	
4	23389	Manifold weldment	1	
5	64055-03	Burner orifices, LP	3	
5	64055-16	Burner orifices, natural	3	
6	21629	High limit mounting bracket	1	
7	60032	Inshot burner	3	



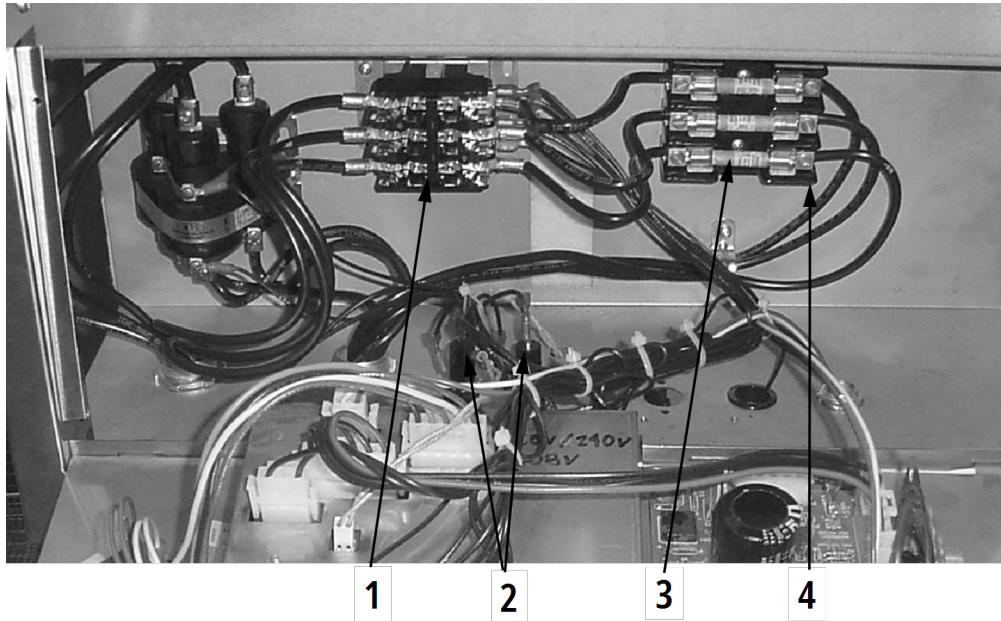
For the most up-to-date parts information, visit
<https://parts.hennypennyhelp.com>.

Item No.	Part No.	Description	Qty. per Well	Stocking Level
8	23118	Burner bracket stud assembly	1	
Recommended Parts: A = Truck Stock; B = Dist. Stock * = Not Shown				



For the most up-to-date parts information, visit
<https://parts.hennypennyhelp.com>.

Heat Contactor Assembly



Item No.	Part No.	Description	Qty. per Well	Stocking Level
1	29509	Standard contactor kit, 24VAC	1	A
1	65073	Heat contactor assembly, 24 VAC, CE, UK	1	A
2	18364	Fuse and holder assembly (SN: BC0707002 & below)	2	A
2	EF02-007	-Fuse, 15 Amp	2	A
2	EF02-006	-Fuse holder, 15 Amp	2	A
2	EF02-125	Push button reset breaker (SN: BC0707003 & above)	2	A
2	EF02-105	Fuse, 15 Amp, CE	2	A
2	EF02-104	Fuse holder, 20 Amp, CE	2	A



For the most up-to-date parts information, visit
<https://parts.hennypennyhelp.com>.

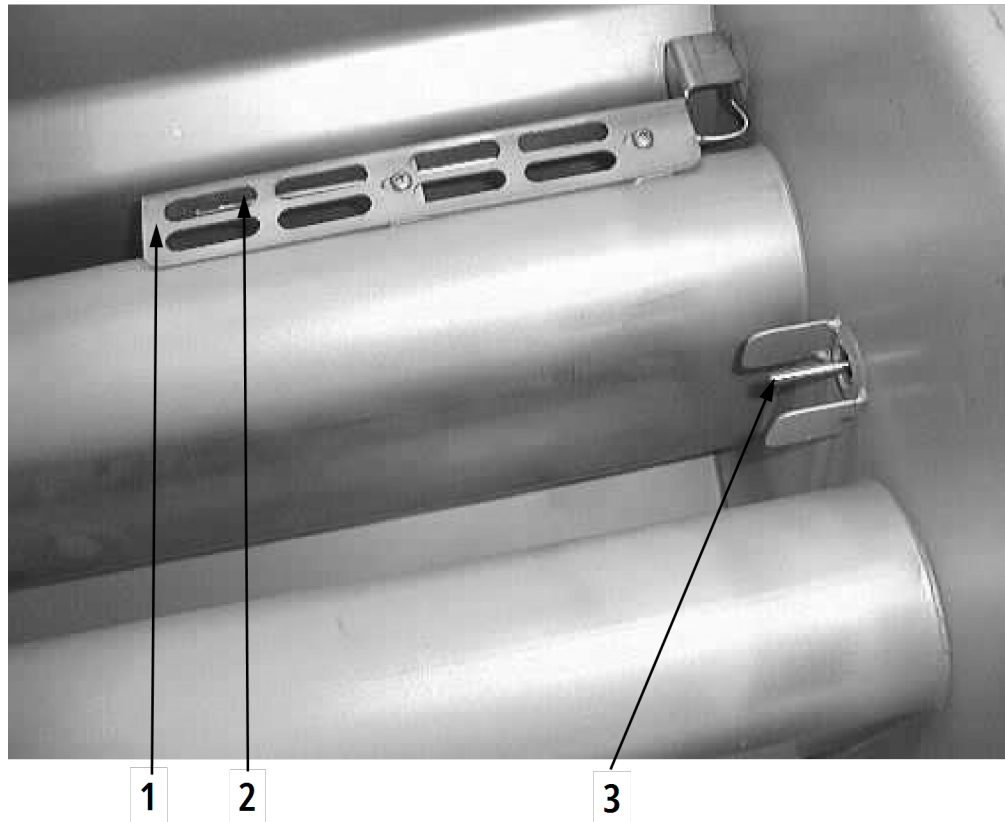
Item No.	Part No.	Description	Qty. per Well	Stocking Level
3	14970	Fuse, class "G", 60 Amp (Set of 3)	1	A
4	60722	Fuse block, 60 Amp	1	
5*	19923	Large transformer, 480VAC	1(per unit)	
6*	60838	Transformer, .05 KVA, 480-240VAC	1(per 342)	
Recommended Parts: A = Truck Stock; B = Dist. Stock * = Not Shown				



For the most up-to-date parts information, visit
<https://parts.hennypennyhelp.com>.

High Limit/Temperature Probe Assembly

Bulb and Cap High Limit Assembly: KFG-NL2505001 and Below,
 All KFE serial numbers



Item No.	Part No.	Description	Qty. per Well	Stocking Level
1	60367	High limit guard -SN: NL2505001 & Below - KFG -All KFE serial numbers	1	

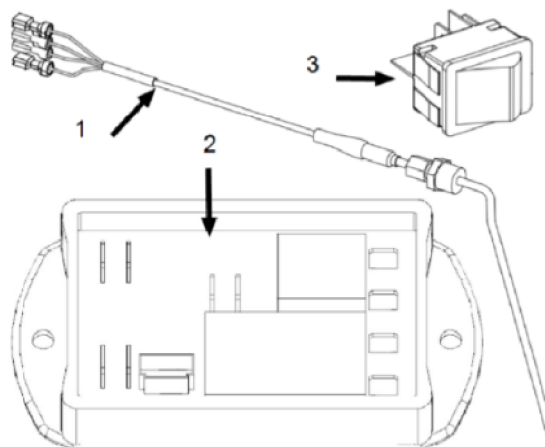


For the most up-to-date parts information, visit
<https://parts.hennypennyhelp.com>.

Item No.	Part No.	Description	Qty. per Well	Stocking Level
2	60241	High limit -SN: NL2505001 & Below - KFG -All KFE serial numbers	1	A
3	14990	Temperature probe assembly, Electric units	1	A
3	14994	Temperature probe assembly, Gas units	1	A

Recommended Parts: A = Truck Stock; B = Dist. Stock
 * = Not Shown

Electric Dual High Limit Assembly: KFG-NL2505002 and Above



Item No.	Part No.	Description	Qty. per Well	Stocking Level
1	179094	Dual high limit temperature probe -SN: NL2505002 and Above - KFG	1	A



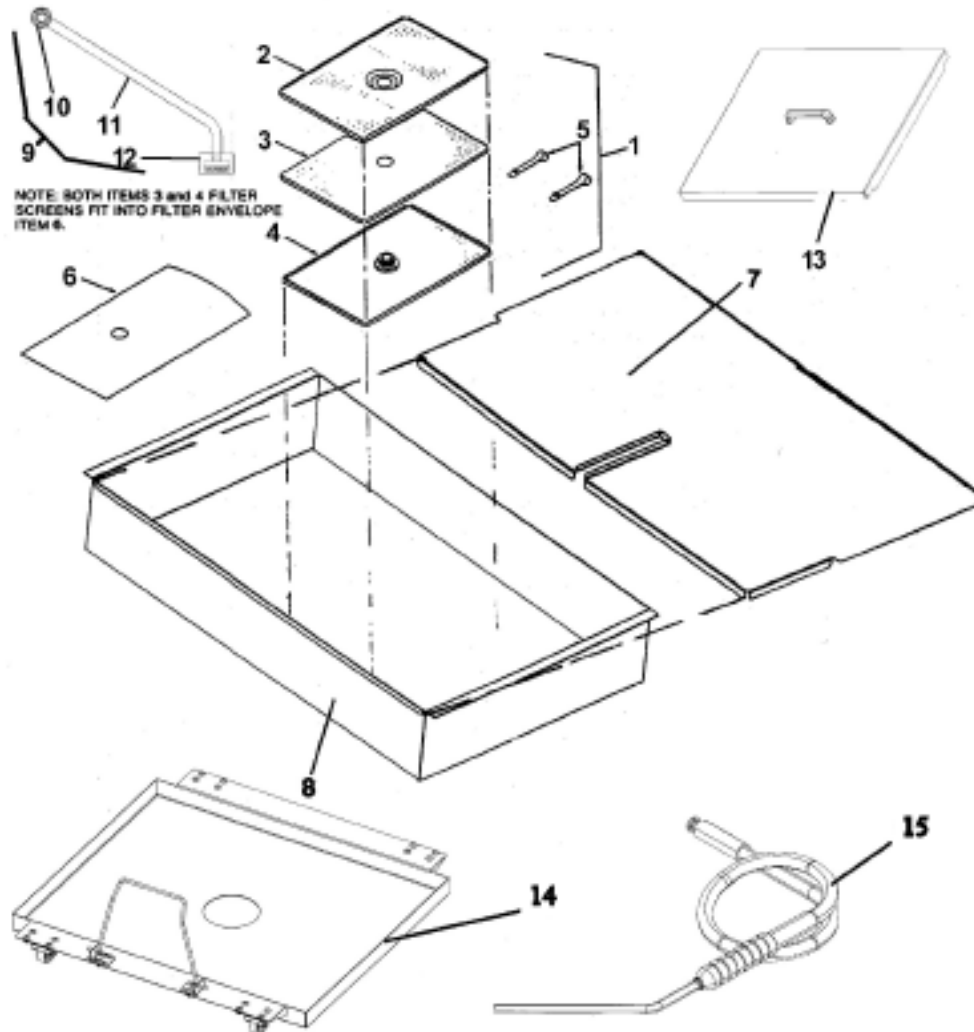
For the most up-to-date parts information, visit
<https://parts.hennypennyhelp.com>.

Item No.	Part No.	Description	Qty. per Well	Stocking Level
2	175915-011	Kit-Dual high limit module -SN:NL2505002 and Above - KFG	1	A
3	157360	High limit reset switch -SN: NL2505002 and Above - KFG	1	A
4*	186674	High limit guard -SN: NL2505002 and Above - KFG	1	
Recommended Parts: A = Truck Stock; B = Dist. Stock * = Not Shown				



For the most up-to-date parts information, visit <https://parts.hennypennyhelp.com>.

Filter Pan Assembly



Item No.	Part No.	Description	Qty. per Well	Stocking Level
1	14671	Filter screen assembly	1	
2	65211	Crumb catcher	1	



For the most up-to-date parts information, visit
<https://parts.hennypennyhelp.com>.

Item No.	Part No.	Description	Qty. per Well	Stocking Level
2	162512	Crumb catcher for single capacity drain pan	1	
3	use 14671	Top filter screen	1	
4	use 14671	Bottom filter screen (SN: BR0502006 & below)	1	
4	65447	Bottom filter screen, 17-3/4 inch x 11-5/8 inch, (SN: BR0502007 & above)	1	
4	155539	Bottom filter screen, 17-3/4 inch x 21-5/8 inch	1	
5	17505	Filter envelope clips	2	
6	12102	Filter envelope paper (100 per Carton)	1	A
7	24769	Filter pan cover, 341(Before Jan. 1, 2006)	1	
7	70491	Filter pan cover, 341 (Jan. 1, 2006 & After)	1	
7	24770	Filter pan cover, 342 (Before Jan. 1, 2006)	1	
7	70493	Filter pan cover, 342 (Jan. 1, 2006 & After)	1	
7	36223	Single capacity pan cover, 342 (Before Jan. 1, 2006)	1	
7	70587	Single capacity pan cover, 342 (Jan. 1, 2006 & After)	1	
8	24297	Filter pan with handle assembly, 341 (Before Jan. 1, 2006)	1	



For the most up-to-date parts information, visit
<https://parts.hennypennyhelp.com>.

Item No.	Part No.	Description	Qty. per Well	Stocking Level
8	184240	Filter pan with handle assembly, 341 (Jan. 1, 2006 & After)	1	
8	24298	Filter pan with handle assembly, 342 (Before Jan. 1, 2006)	1	
8	70245	Filter pan with handle assembly, 342 (Jan. 1, 2006 & After)	1	
8	36225	Single well capacity pan assembly, 342 (Before Jan. 1, 2006)	1	
8	70581	Single well capacity pan assembly, 342 (Jan. 1, 2006 & After)	1	
9	14656	Pick-up tube kit, 341 (Before Jan. 1, 2006)	1	
9	14726	Pick-up tube kit, 341 (Jan. 1, 2006 & After)	1	
9	14657	Pick-up tube kit, 342 (Before Jan. 1, 2006)	1	
9	14727	Pick-up tube kit, 342 (Jan. 1, 2006 & After)	1	
10	use 69289	Female fitting union	1	A
11	67799	Pick-up tube, 341 (Before Jan. 1, 2006)	1	
11	70382	Short pick-up tube, 341 (Jan. 1, 2006 & After)	1	
11	21044	Pick-up tube, 342 (Before Jan. 1, 2006)	1	
11	70384	Short pick-up tube, 342 (Jan. 1, 2006 & After)	1	
12	65208	Filter nut	1	



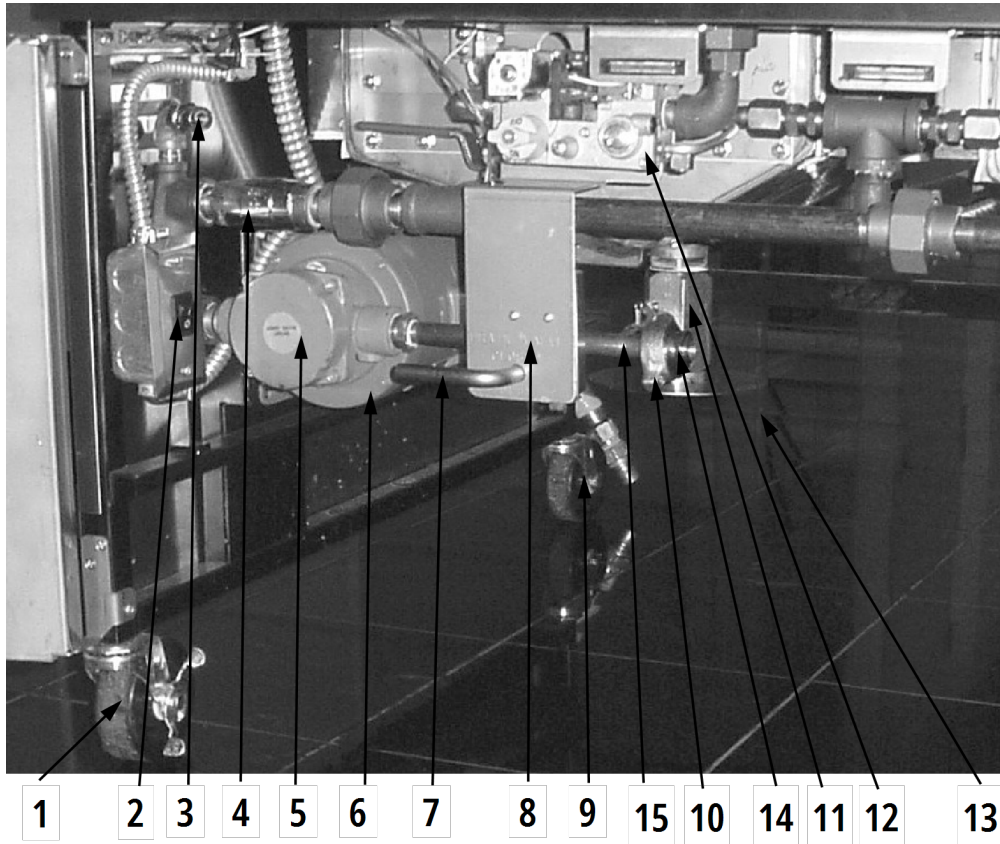
For the most up-to-date parts information, visit
<https://parts.hennypennyhelp.com>.

Item No.	Part No.	Description	Qty. per Well	Stocking Level
13	03638	Vat cover, gas, electric	1	
14	03498	Filter pan dolly, 341 (Before Jan. 1, 2006)	1	
14	03551	Short filter pan dolly, 341 (Jan. 1, 2006 & After)	1	
14	03499	Filter pan dolly, 342 (Before Jan. 1, 2006)	1	
14	03552	Short filter pan dolly, 342 (Jan. 1, 2006 & After)	1	
15	03003	Filter rinse hose assembly	1	
16*	77848	Crumb basket	1	
Recommended Parts: A = Truck Stock; B = Dist. Stock * = Not Shown				



For the most up-to-date parts information, visit
<https://parts.hennypennyhelp.com>.

Gas Valves and Filter System Plumbing



Item No.	Part No.	Description	Qty. per Well	Stocking Level
1	52064	Swivel caster with brake, 4 in	2	
2	43768	-Filter power switch, DPST, 125-250VAC	1	A
2	52224	-Covered power switch, CE	1	A
3	17334	Quick disconnect, male, 341	1	
3	17333	Quick disconnect, female, 342	1	



For the most up-to-date parts information, visit
<https://parts.hennypennyhelp.com>.

Item No.	Part No.	Description	Qty. per Well	Stocking Level
4	21800	Check valve, 3/4 in	1	A
5		See Filter Pump Motor Assembly		
6		See Filter Pump Motor Assembly		
7	21816	Drain valve rod, closed (Used on units built prior to 2003)	1	
7	66124	Drain valve rod, electric, normally open	1	
7	68558	Drain valve rod, gas, normally open (All UL, CE units built 12/2022 & after)	1	
7	70963	Drain valve rod, gas, normally open, CE (For CE units built prior to 12/2022)	1	
8	18227	Drain microswitch (behind bracket)	1	A
9	60312	Caster, 4 in	2	
10	17432 (use 69289)	Handle fitting union	1	A
11	55152	Drain valve and coupling assembly (1 in. port) (Used on units built prior to 12/2022)	1	
11	184734	Drain valve and coupling assembly (1.25 in. port) (Used on units built 12/2022 & after)	1	B
12	80761	Gas valve, 24 VAC, natural	1	A
12	60632	Gas valve, 24 VAC, natural, CE	1	A



For the most up-to-date parts information, visit
<https://parts.hennypennyhelp.com>.

Item No.	Part No.	Description	Qty. per Well	Stocking Level
12	80858	Gas valve, 24 VAC, LP	1	A
12	60633	Gas valve, 24 VAC, LP, CE	1	A
13	23443	Drain extension weld assembly, electric	1	
13	23839	Drain extension weld assembly, gas	1	
14	17431 (use 69289)	Male fitting union	1	
15	32734	Flexible hose (before 4-26-04)	1	
15	67621	Pump Tube, 341 (SN: BR0406001 & after)	1	
15	67622	Pump Tube, 342 (SN: BR0405001)	1	
15	68378	Pump Tube, 342 (SN: BS0406002 & after)	1	
16*	14416	Conversion kit, natural to LP	1	
16*	14417	Conversion kit, LP to natural	1	
16*	140333	Conversion kit, natural to LP, CE	1	
16*	140334	Conversion kit, LP to natural, CE	1	
17*	170588	Safety gas valve, 24VAC, 50/60 Hz	1	
17*	171059	Safety gas valve harness assembly, CE		
18*	24856	Drain valve label (Used on units built prior to 12/2022)	1	
18*	184711	Drain valve label (Used on units built 12/2022 & after)	1	



For the most up-to-date parts information, visit
<https://parts.hennypennyhelp.com>.

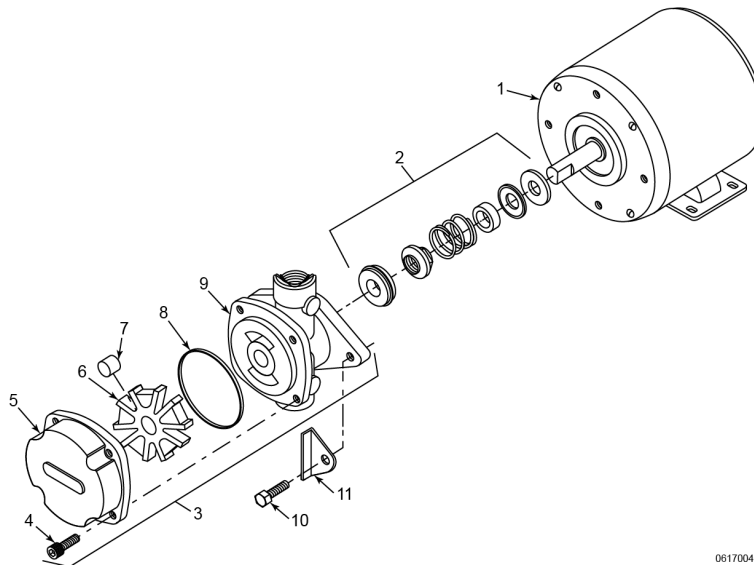
Item No.	Part No.	Description	Qty. per Well	Stocking Level
19*	17002	Door magnet	1	
20*	59230	Door magnet bracket	1	
Recommended Parts: A = Truck Stock; B = Dist. Stock * = Not Shown				



For the most up-to-date parts information, visit
<https://parts.hennypennyhelp.com>.

Filter Pump and Motor Assembly

Flange Mount Filter Pump Motor Assembly



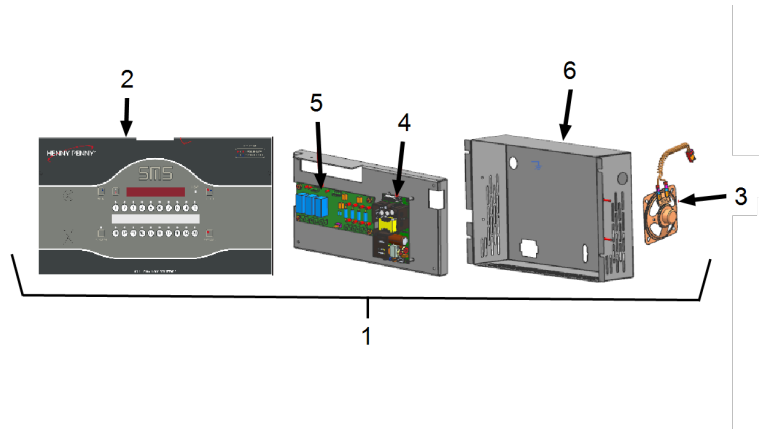
06170040

Item No.	Part No.	Description	Qty.	Stocking Level
4	SC01-132	- Pump cover screw	1	
9	N/A	Pump body not sold separately. Use 171168 .		
Recommended Parts: A = Truck Stock; B = Dist. Stock				



For the most up-to-date parts information, visit
<https://parts.hennypennyhelp.com>.

Control Panel Assembly



Item No.	Part No.	Description	Qty. per Well	Stocking Level
1	185154	SMS Control Assembly, Electric Fryers	1	B
1	184659	SMS Control Assembly, Gas Fryers	1	B
2	184275	Control Panel Decal	1	
3	51877	Speaker Assembly	1	A
4	177849	Power Supply Board	1	B
5	49880	I/O Board	1	B
6	184346	Control Board Shroud	1	
7*	97715	Menu Card	1	
8*	52224	Power Switch	1	A
9*	152487	USB Port / Cable Assembly	1	



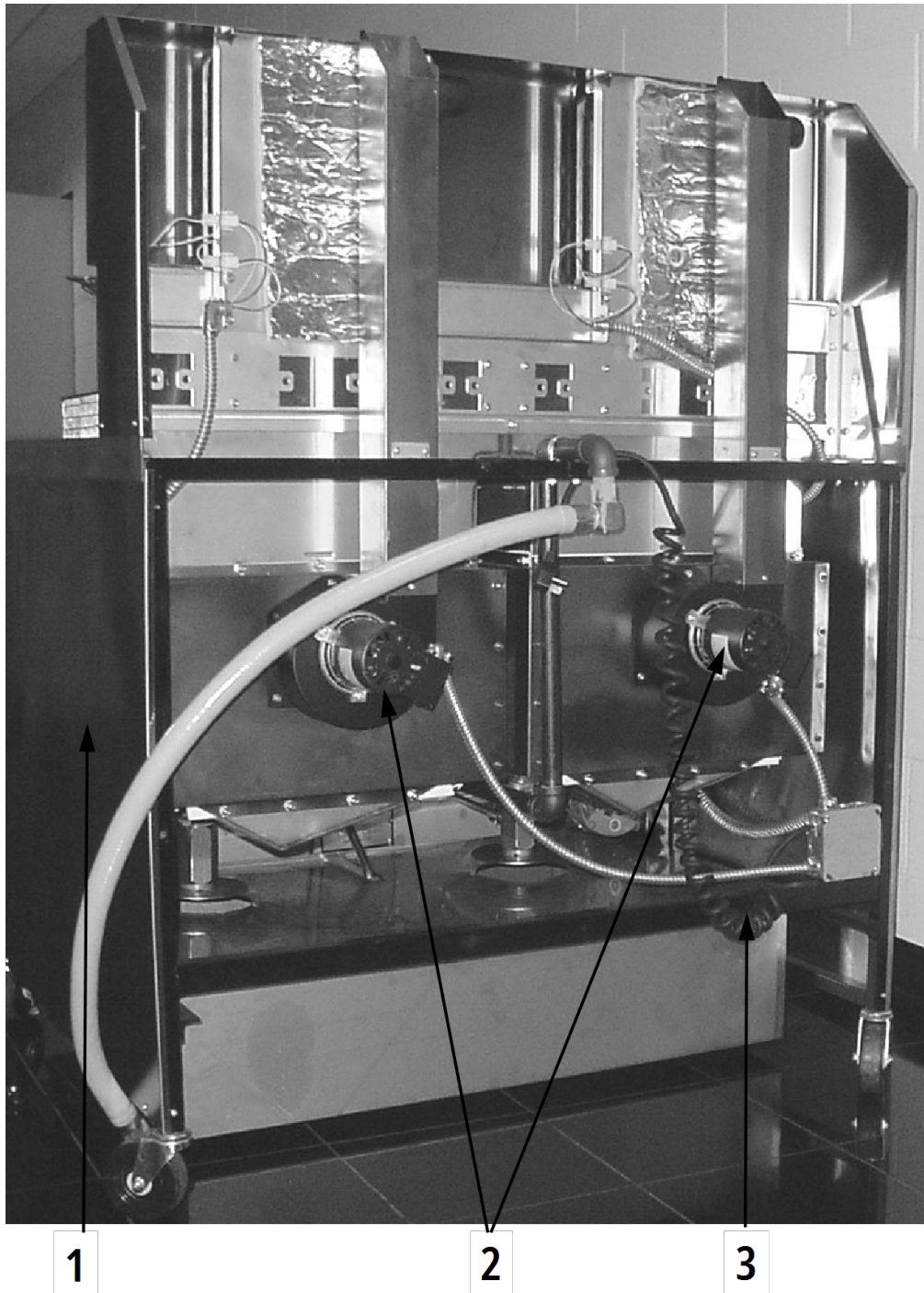
For the most up-to-date parts information, visit
<https://parts.hennypennyhelp.com>.

Item No.	Part No.	Description	Qty. per Well	Stocking Level
10*	152488	USB Cap	1	
<p>Recommended Parts: A = Truck Stock; B = Dist. Stock * = Not Shown</p>				



For the most up-to-date parts information, visit
<https://parts.hennypennyhelp.com>.

Blower Motor and Side Panel Assembly





For the most up-to-date parts information, visit
<https://parts.hennypennyhelp.com>.

Non-Auto-Lift Units

Description	120V-SN: before BR0912001 240V-SN: before BR1210002	120V-SN: BR0912001 & After 240V-SN: BR1210002 & After
Blower	(120V) 64197 / (240V) 21037	(120V) 14420 / (240V) 14422
Flue	69889	82533
Brace	21632	82545
Duct	23115	80545

Auto Lift Units

Description	120V-SN: before BR0912001 240V-SN: before BR1210002	120V-SN: BR0912001 & After 240V-SN: BR1210002 & After
Blower	(120V) 64197 / (240V) 21037	(120V) 14420 / (240V) 14422
Flue	21066	80542
Brace	21632	82545
Duct	23115	80545

Item No.	Part No.	Description	Qty. per Well	Stocking Level
1		Gas line with double swivel, 3/4 in, 341 (see Gas Flex Line Kits)	1	
1		Gas line with double swivel, 1 in, 342 (see Gas Flex Line Kits)	1	
2	64197	Blower motor assembly, 120 VAC (before SN: BR0912001) See Non-Auto-Lift Units or Auto-Lift Units	1	A



For the most up-to-date parts information, visit
<https://parts.hennypennyhelp.com>.

Item No.	Part No.	Description	Qty. per Well	Stocking Level
2	14420	Blower kit, 120 VAC (SN: BR0912001 & after) See Non-Auto-Lift Units or Auto-Lift Units	1	B
2	21037	Blower motor assembly, 220VAC (before SN: BR1210002) See Non-Auto-Lift Units or Auto-Lift Units	1	A
2	14422	Blower kit, 240 VAC (SN: BR1210002 & after) See Non-Auto-Lift Units or Auto-Lift Units	1	B
3	33353	Coiled power cord, 120 VAC	1	
4	63602	Autolift actuator (Before SN: BS/BD0812001)	2	A
4	80091	Autolift actuator (SN: BS/BD0812001 & after)	2	A
5*	21006	Left side panel (before 4/27/05)	1	
5*	67854	Left side panel (4/27/05 to Dec. 31, 2005)	1	
5	70225	Left side panel (Jan. 1, 2006 & After)	1	
6	21005	Right side panel (Before Jan. 1, 2006)	1	
6	70226	Right side panel (Jan. 1, 2006 & After)	1	
7*	96946	Autolift Bearing service pack (when applicable)	1	



For the most up-to-date parts information, visit
<https://parts.hennypennyhelp.com>.

Item No.	Part No.	Description	Qty. per Well	Stocking Level
8		See Non-Auto-Lift Units or Auto-Lift Units for breakdown of flue		
Recommended Parts: A = Truck Stock; B = Dist. Stock * = Not Shown				

Gas Flex Line Kits

Length	(Orifice Diameter)	Part No.	Description	Qty.
36 in	1/2 in	03749	Gas flex line with installation kit with QD	A/R
48 in	1/2 in	03750 (N/A)	Gas flex line with installation kit, 1 QD (No longer available through HP.)	A/R
48 in	1/2 in	03751	Gas flex line with installation kit, 2 swivel	A/R
36 in	3/4 in	03752	Gas flex line with installation kit with QD	A/R
38 in	3/4 in	03753	Gas flex line with installation kit, Valve	A/R
60 in	3/4 in	03754	Gas flex line with installation kit, 1 QD	A/R
48 in	3/4 in	03747	Gas flex line with installation kit, 2 swivel	A/R
72 in	1 in	03755	Gas flex line with installation kit, 2 threaded connectors	A/R
33 in	1 in	03756	Gas flex line with installation kit, 1 in QD adapter, valve, elbow	A/R
48 in	1 in	03757	Gas flex line with installation kit, 2 swivel (OFG 342)	A/R



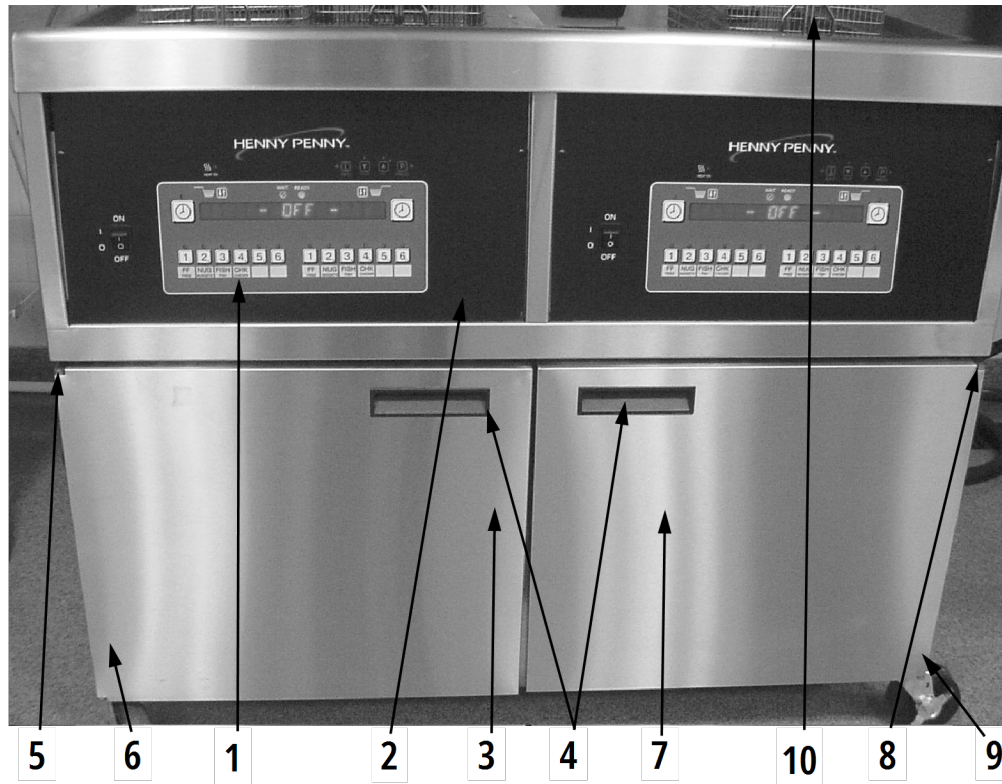
For the most up-to-date parts information, visit
<https://parts.hennypennyhelp.com>.

Length	(Orifice Dia- meter)	Part No.	Description	Qty.
	3/4 in	161559	Valve, 3/4 in NPT, quick disconnect (Q.D. only, no gas line)	A/R
72 in	1 in	03758	Gas flex line with installation kit, 1 in QD adapter, valve, elbow	A/R
60 in	1 in	03759	Gas flex line with installation kit, 2 swivel + 1 QD	A/R
	1 in	160329	Valve, 1 in NPT, quick disconnect (Q.D. only, no gas line)	A/R
A/R = As Required				



For the most up-to-date parts information, visit
<https://parts.hennypennyhelp.com>.

Door and Basket Assembly



Item No.	Part No.	Description	Qty. per Well	Stocking Level
1	43768	Power switch	1	A
1	52224	Covered power switch, CE	1	A
2	21687	Control decal	1	
3	21008	Door assembly, 341 (Before Jan. 1, 2006)	1	
3	70207	Door assembly, 341 (Jan. 1, 2006 & After)	1	
3	21086	Door assembly, 342, left (Before Jan. 1, 2006)	1/unit	



For the most up-to-date parts information, visit
<https://parts.hennypennyhelp.com>.

Item No.	Part No.	Description	Qty. per Well	Stocking Level
3	70238	Door assembly, 342, left (Jan. 1, 2006 & After)	1/unit	
4	41836	Pocket pull	1	
5	17618	Hinge assembly, top left	1	
6	21034	Hinge assembly, bottom left	1	
7	21426	Door assembly, right, 342 (Before Jan. 1, 2006)	1/unit	
7	70240	Door assembly, right, 342 (Jan. 1, 2006 & After)	1/unit	
8	17620	-Hinge assembly, top right	1	
9	21433	-Hinge assembly, bottom right	1	
10	21036	1/2 size basket	2	
10	21038	1/3 size basket	3	
10	64211	Full size basket	1	
10	81584	1/2 size reduced weight basket	2	
11*	23850	Square mesh skimmer	1	
12*	14784	Joining kit (non-autolift fryers only)	1	
13*	SC01-234	Flat head hinge screw	A/R	
	12199	Oil test kit	A/R	

Recommended Parts: A = Truck Stock; B = Dist. Stock
*** = Not Shown**



For the most up-to-date parts information, visit
<https://parts.hennypennyhelp.com>.

Element Assembly





For the most up-to-date parts information, visit
<https://parts.hennypennyhelp.com>.

Item No.	Part No.	Description	Qty. per Well	Stocking Level
1	64210-01	Element, electric, 208 VAC	2	A
1	64210-02	Element, electric, 220 VAC	2	A
1	64210-03	Element, electric, 230 VAC	2	A
1	64210-04	Element, electric, 240 VAC	2	A
1	64210-07	Element, electric, 480 VAC	2	A
2	24194	Front spreader	1	
3	21978	Spreader strap	10	
4	24176	Spreader weldment (SN: BD1812001 & Before OEA) (SN: BC2001003 & Before OFE)	2	
4	172443	Spreader weldment (SN: BD1812002 & After OEA) (SN: BC2001004 & After OFE)	2	
5	23929	Rear vertical strap	1	
6	23928	Rear vertical bracestrap	1	
7	23507	Capillary tube strap	2	
8	23854	High limit position guard (SN: BD1812001 & Before OEA) (SN: BC2001003 & Before OFE)	1	
8	172446	High limit position guard (SN: BD1812002 & After OEA) (SN: BC2001004 & After OFE)	2	



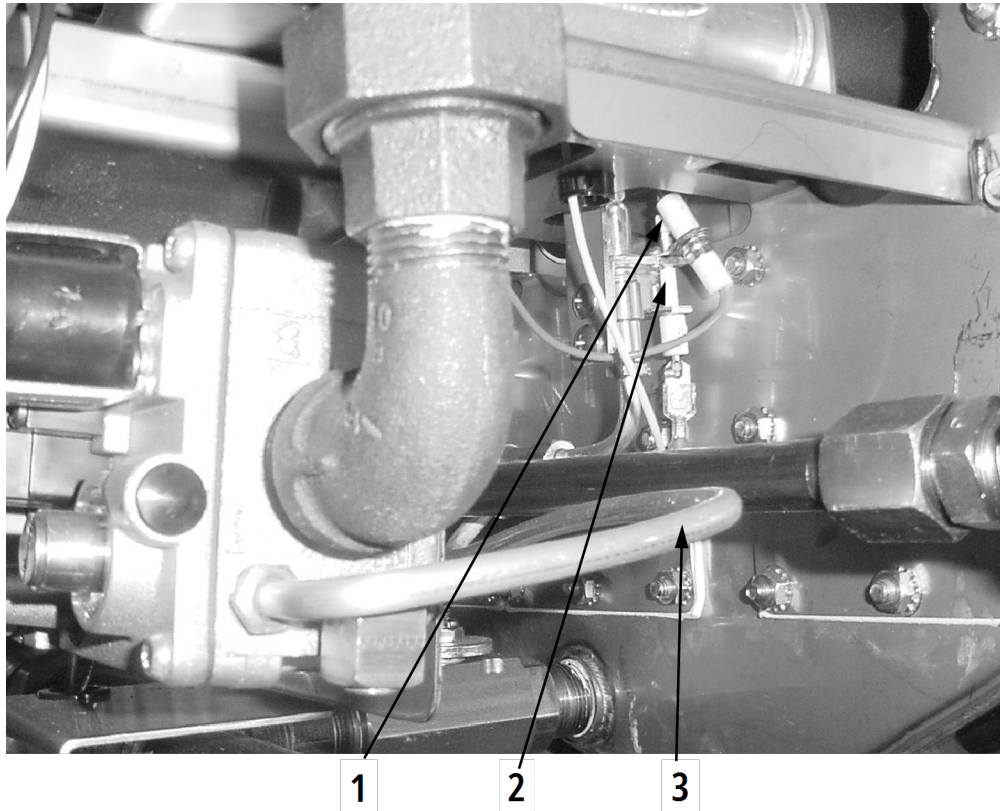
For the most up-to-date parts information, visit
<https://parts.hennypennyhelp.com>.

Item No.	Part No.	Description	Qty. per Well	Stocking Level
9*	24236	Element lift tool (Before 4-1-06)	1/unit	
9*	71252	Element lift tool (After 4-1-06)	1/unit	
10*	SC01-053	Screw, #8-32 x 1/2 PH RHD S	A/R	
10*	SC04-003	Screw, #8-32 x 3/8, PH PHD S	A/R	
11*	171006	High limit spacer (SN: BD1812002 & After OEA) (SN: BC2001004 & After OFE)	2	
12*	172446	High limit support (SN: BD1812002 & After OEA) (SN: BC2001004 & After OFE)	2	
Recommended Parts: A = Truck Stock; B = Dist. Stock * = Not Shown				



For the most up-to-date parts information, visit
<https://parts.hennypennyhelp.com>.

Flame Sensor and Pilot Assembly



Item No.	Part No.	Description	Qty. per Well	Stocking Level
1	80845-1	Pilot assembly, natural	2	A
1	80845-2	Pilot assembly, LP	2	A
1	23735	-Pilot orifice, natural	1	
1	60614	-Pilot orifice, LP	1	
2	60292	Pilot flame sensor	2	A
3	21827	Pilot tube	1	



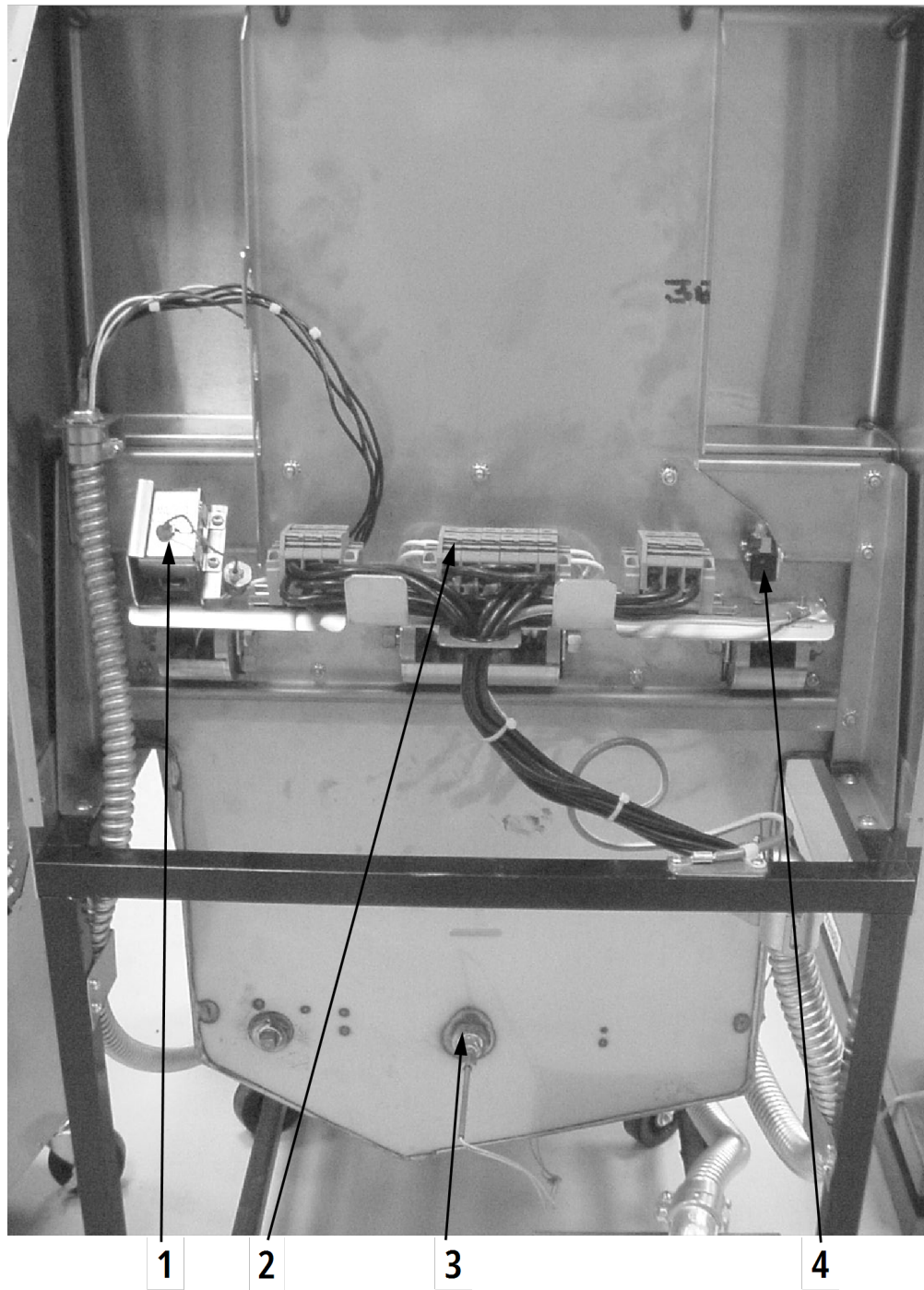
For the most up-to-date parts information, visit
<https://parts.hennypennyhelp.com>.

Item No.	Part No.	Description	Qty. per Well	Stocking Level
3	69450	Pilot tube, flex, 15 in	2	
3	67817	Pilot tube, CE	1	
Recommended Parts: A = Truck Stock; B = Dist. Stock * = Not Shown				



For the most up-to-date parts information, visit
<https://parts.hennypennyhelp.com>.

Electric Components





For the most up-to-date parts information, visit
<https://parts.hennypennyhelp.com>.

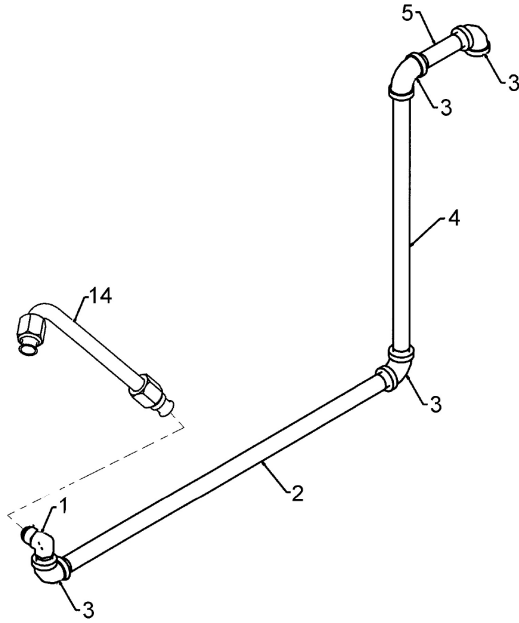
Item No.	Part No.	Description	Qty. per Well	Stocking Level
1	60241	High limit, 425°F	1	A
2	23823	Terminal block heater assembly	1	
3	14990	Temperature probe assembly	1	A
4	18227	Microswitch	1	A
5*	32497	EMC Filter board, CE	1	A
6*	32498	Terminal block assembly, 4 in	1	A
Recommended Parts: A = Truck Stock; B = Dist. Stock * = Not Shown				



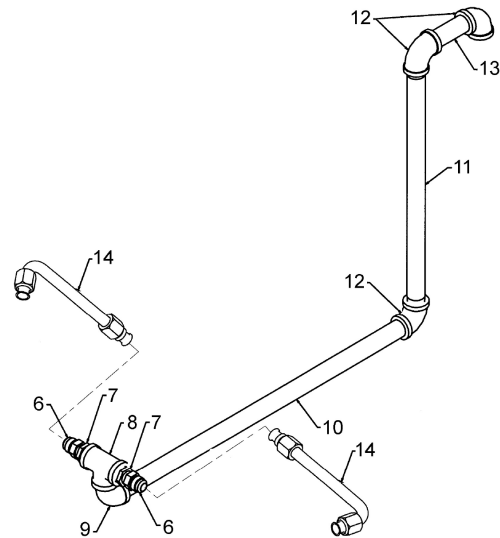
For the most up-to-date parts information, visit
<https://parts.hennypennyhelp.com>.

Gas Line Assembly

OFG OGA 341



OFG OGA 342



Item No.	Part No.	Description	Qty. per Well	Stocking Level
1	16336	Elbow, male	1	
2	FP02-050	Nipple, 1/2 X 24	1	
3	FP01-090	Elbow, 1/2 NPT X 90, female	4	
4	FP02-051	Nipple, 1/2 X 17	1	
5	FP02-052	Nipple, 1/2 X 4	1	
6	16335	Male flare connector, 37	2	
7	FP01-089	Reducing bushing, 3/4 male to 1/2 female	2	



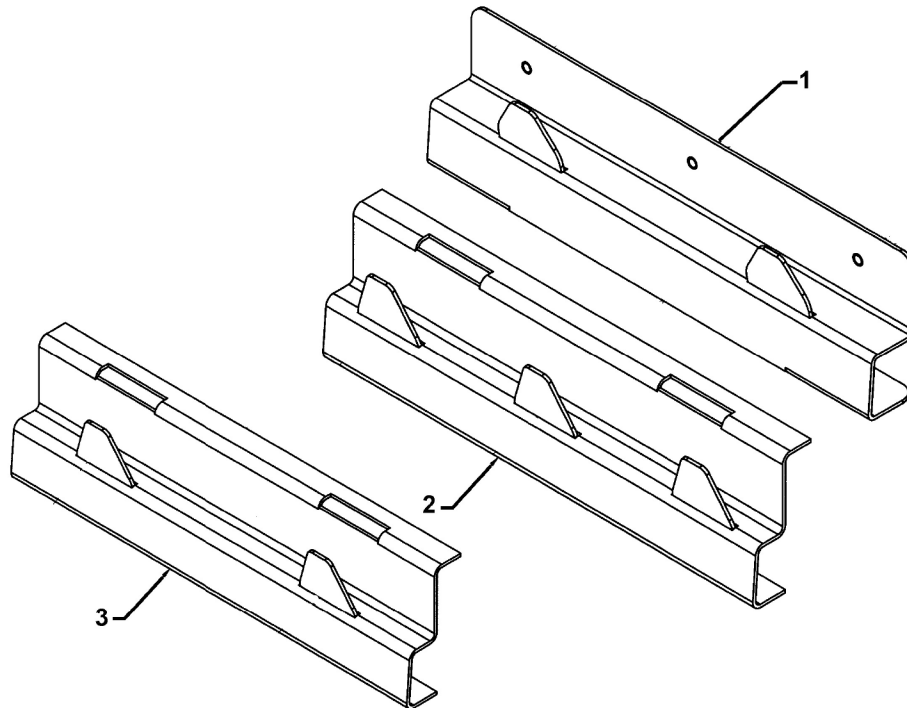
For the most up-to-date parts information, visit
<https://parts.hennypennyhelp.com>.

Item No.	Part No.	Description	Qty. per Well	Stocking Level
8	FP01-097	Female pipe tee, 3/4 NPT	1	
9	FP01-100	Street elbow, 3/4 NPT	1	
10	FP02-040	Nipple, 3/4 X 24	1	
11	FP02-032	Nipple, 3/4 X 17	1	
12	FP01-098	Elbow, 3/4 NPT X 90, female	3	
13	FP02-023	Pipe, 3/4 NPT X 19 1/4	1	
14	21801	Valve inlet tube assembly	1	
15*	FP01-200	Gas inlet BSPT Fitting	1	
Recommended Parts: A = Truck Stock; B = Dist. Stock * = Not Shown				



For the most up-to-date parts information, visit
<https://parts.hennypennyhelp.com>.

Basket Hanger Assembly



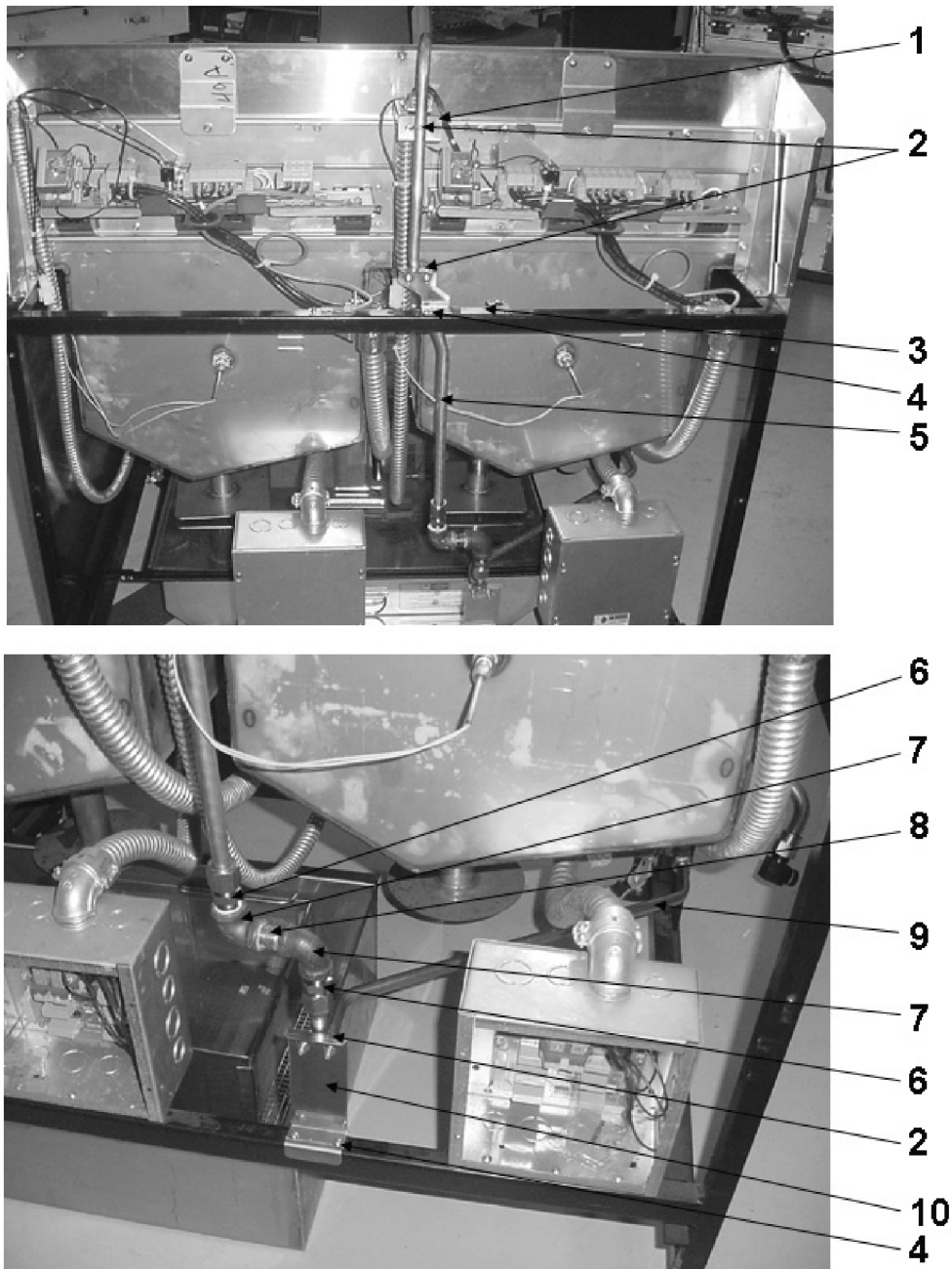
Item No.	Part No.	Description	Qty. per Well	Stocking Level
1	24809	Basket hanger hook, 1/2 size (before 06/01/05)	1	
1	70102	Basket hanger hook, 1/2 size (06/01/05 & after)	1	
2	36030	Basket bracket, 1/3 size	1	
3	38912	Basket bracket, 1/2 size (before 06/01/05)	1	
Recommended Parts: A = Truck Stock; B = Dist. Stock * = Not Shown				



For the most up-to-date parts information, visit
<https://parts.hennypennyhelp.com>.

Top of Fryer Plumbing Assembly

Without D.C. Parts (March 1, 2006 & After)





For the most up-to-date parts information, visit
<https://parts.hennypennyhelp.com>.

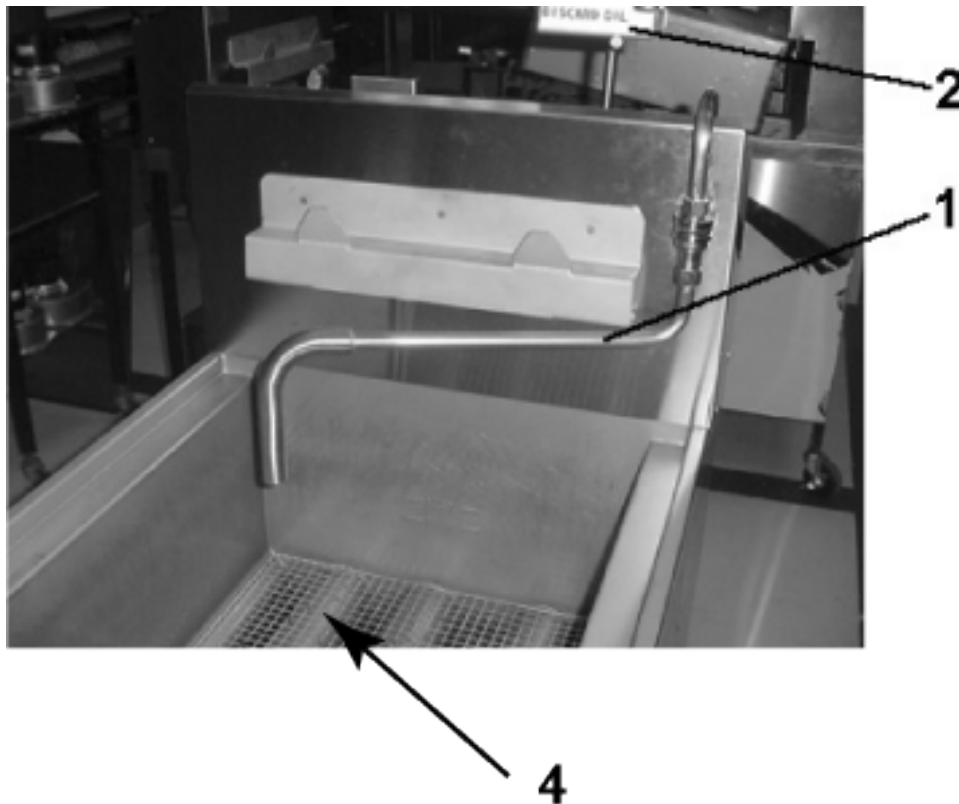
Item No.	Part No.	Description	Qty. per Well	Stocking Level
1	73370	Actuator conduit hanger	1	
2	SC06-013	U bolt, 1/4-20 for 3/4 diameter	3	
3	71185	Tube bracket	1	
4	SC03-001	Screw, #10 X 1/2 CT, coated	4	
5	71139	Return line tube assembly	1	
6	16807	Male connector fitting	2	
7	FP01-090	Elbow, 1/2 NPT X 90, female	2	
8	FP02-018	Nipple, 1/2 NPT X 2 long	1	
9	71063	Pump return tube assembly	1	
10	71142	Rear support tube bracket	1	
Recommended Parts: A = Truck Stock; B = Dist. Stock * = Not Shown				



For the most up-to-date parts information, visit
<https://parts.hennypennyhelp.com>.

Top of Fryer and Faucet Assembly

(March 1, 2006 & After)



Item No.	Part No.	Description	Qty. per Well	Stocking Level
1	71899	Faucet assembly, 341, approximately 16.184 in	1	
1	17333	-Female disconnect	1	
1	71665	Faucet assembly, 342, approximately 8 in	1	
1	17334	-Male disconnect	1	



For the most up-to-date parts information, visit
<https://parts.hennypennyhelp.com>.

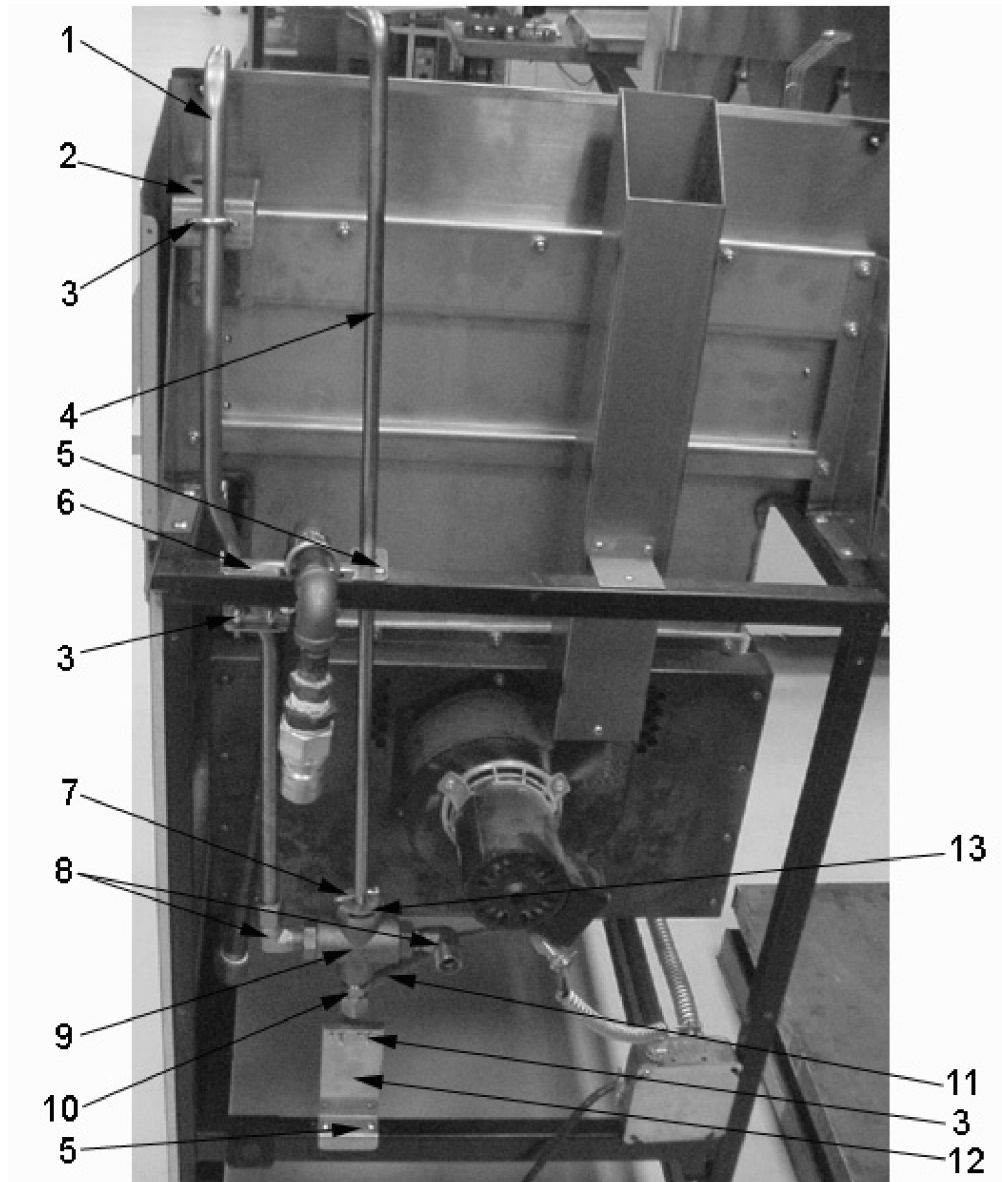
Item No.	Part No.	Description	Qty. per Well	Stocking Level
2	71830	Diverter valve handle, direct connect units	1	
3*	03621	Female filter hose assembly, 90	A/R	
4	21039	Vat rack, electric.	1	
4	21040	Vat rack, gas.	1	
5*	32794	Vat rack handle.	A/R	
<p>Recommended Parts: A = Truck Stock; B = Dist. Stock * = Not Shown A/R = As Required</p>				



For the most up-to-date parts information, visit
<https://parts.hennypennyhelp.com>.

Direct Connect Assembly

341 DIRECT-CONNECT PARTS LIST (Before March 1, 2006)





For the most up-to-date parts information, visit
<https://parts.hennypennyhelp.com>.

Item No.	Part No.	Description	Qty. per Well	Stocking Level
	16282	Close nipple, 3/4	1	
	21611	Male disconnect	1	
	21612	Female disconnect	1	
	21753	Oil discard hose	1	
	21800	Check valve, 3/4	1	A
	23430	Inlet valve, 3/4	1	
	67850	Direct connect rear support bracket	1	
	FP01-140	Pipe plug, 3/4	2	
	FP01-142	Cross, 3/4 NPT	1	
	FP02-039	Nipple, 3/4 X 6 long	1	
	FP02-059	Nipple, 3/4 X 27 long	1	
	SC03-001	Screw, #10 X 1/2, CT, coated	2	
Recommended Parts: A = Truck Stock; B = Dist. Stock * = Not Shown				

342 DIRECT-CONNECT PARTS LIST (Before March 1, 2006)

Item No.	Part No.	Description	Qty. per Well	Stocking Level
	16282	Close nipple, 3/4	1	
	21611	Male disconnect	1	



For the most up-to-date parts information, visit
<https://parts.hennypennyhelp.com>.

Item No.	Part No.	Description	Qty. per Well	Stocking Level
	21612	Female disconnect	1	
	21753	Oil discard hose	1	
	21800	Check valve, 3/4	1	A
	67850	Direct connect rear support bracket	1	
	FP02-059	Nipple, 3/4 X 27 long	1	
	SC03-001	Screw, #10 X 1/2 CT, coated	2	
	FP01-140	Pipe plug, 3/4	1	
	FP02-033	Nipple, 3/4 NPT X 4 in long	1	
	FP02-039	Nipple, 3/4 X 6 long	1	
Recommended Parts: A = Truck Stock; B = Dist. Stock * = Not Shown				

W/DIRECT-CONNECT PARTS LIST (March 1, 2006 & After)

Item No.	Part No.	Description	Qty. per Well	Stocking Level
1	71139	Return line tube assembly	1	
2	73370	Actuator conduit hanger	1	
3	SC06-013	U-bolt 1/4-20 for 3/4 diameter	3	
4	71070	Extension filter valve rod	1	
5	SC03-001	Screw, #10 X 1/2 CT, coated	4	



For the most up-to-date parts information, visit
<https://parts.hennypennyhelp.com>.

Item No.	Part No.	Description	Qty. per Well	Stocking Level
6	71185	Tube bracket	1	
7	17255	Cotter pin	1	
8	17407	Elbow connector, male 1/2	2	
9	21613	Diverter valve	1	
10	16807	Fitting connector, male	1	
13	67492	Direct connect extension rod stop	1	
Recommended Parts: A = Truck Stock; B = Dist. Stock * = Not Shown				

341 AUTO-LIFT W/DIRECT-CONNECT PARTS LIST (March 1, 2006 & After)

Item No.	Part No.	Description	Qty. per Well	Stocking Level
	16807	Connector fitting, male	3	
	17255	Cotter pin	1	
	19811	Street elbow, 1/2 in, 90 , SS	1	
	21613	Diverter valve	1	
	21800	Check valve, 3/4	1	A
	67492	Direct connect extension rod stop	1	
	71063	Pump return tube assembly	1	
	71142	Rear support tube bracket	1	



For the most up-to-date parts information, visit
<https://parts.hennypennyhelp.com>.

Item No.	Part No.	Description	Qty. per Well	Stocking Level
	71185	Tube bracket	1	
	71652	Autolift return line tube assembly	1	
	71462	Tube coupling plate weld assembly	1	

Recommended Parts: A = Truck Stock; B = Dist. Stock
 * = Not Shown

341 AUTO-LIFT W/O DIRECT-CONNECT PARTS LIST (March 1, 2006 & After)

Item No.	Part No.	Description	Qty. per Well	Stocking Level
	71185	Tube bracket	1	
	71652	Autolift return line tube assembly	1	
	71653	Autolift diverter tube assembly	1	
	FP01-018	Conduit pipe coupling, 1/2	1	
	FP01-029	Reducer, 1/2 NPT male to 3/8 NPT female, SS	1	
	FP01-090	Elbow, 1/2 NPT X 90 female	3	
	FP02-018	Nipple, 1/2 NPT X 2 long	1	
	SC03-001	Screw, #10 X 1/2, CT, coated	4	
	SC06-013	U-bolt, 1/4-20 for 3/4 diameter	2	
	17333	Rinse hose disconnect female	1	



For the most up-to-date parts information, visit
<https://parts.hennypennyhelp.com>.

Item No.	Part No.	Description	Qty. per Well	Stocking Level
	71462	Coupling plate tube weld assembly	1	
Recommended Parts: A = Truck Stock; B = Dist. Stock * = Not Shown				

342 AUTO-LIFT W/DIRECT-CONNECT PARTS LIST (March 1, 2006 & After)

Item No.	Part No.	Description	Qty. per Well	Stocking Level
	16807	Male connector fitting	4	
	17255	Cotter pin	2	
	17407	Male elbow connector, 1/2	3	
	19811	Street ell, 1/2 in, 90, SS	1	
	21613	Diverter valve	2	
	21800	Check valve, 3/4	1	A
	67492	Direct connect extension rod stop	2	
	71063	Pump return tube assembly	1	
	71142	Rear support tube bracket	1	
	71185	Tube bracket	1	
	73188	Autolift diverter tube assembly, gas	2	
Recommended Parts: A = Truck Stock; B = Dist. Stock * = Not Shown				



For the most up-to-date parts information, visit
<https://parts.hennypennyhelp.com>.

342 AUTO-LIFT W/O DIRECT-CONNECT PARTS LIST (March 1, 2006 & After)

Item No.	Part No.	Description	Qty. per Well	Stocking Level
	16807	Male connector fitting	4	
	17255	Cotter pin	1	
	17407	Elbow connector, 1/2, male	1	
	21613	Diverter valve	1	
	71063	Return tube assembly	1	
	71142	Rear support tube bracket	1	
	71185	Tube bracket	1	
	71652	Autolift return line tube assembly	1	
	71670	Oil return line tube	1	
	71740	Autolift diverter tube assembly	1	
	73188	Autolift diverter tube assembly, gas	2	
Recommended Parts: A = Truck Stock; B = Dist. Stock * = Not Shown				