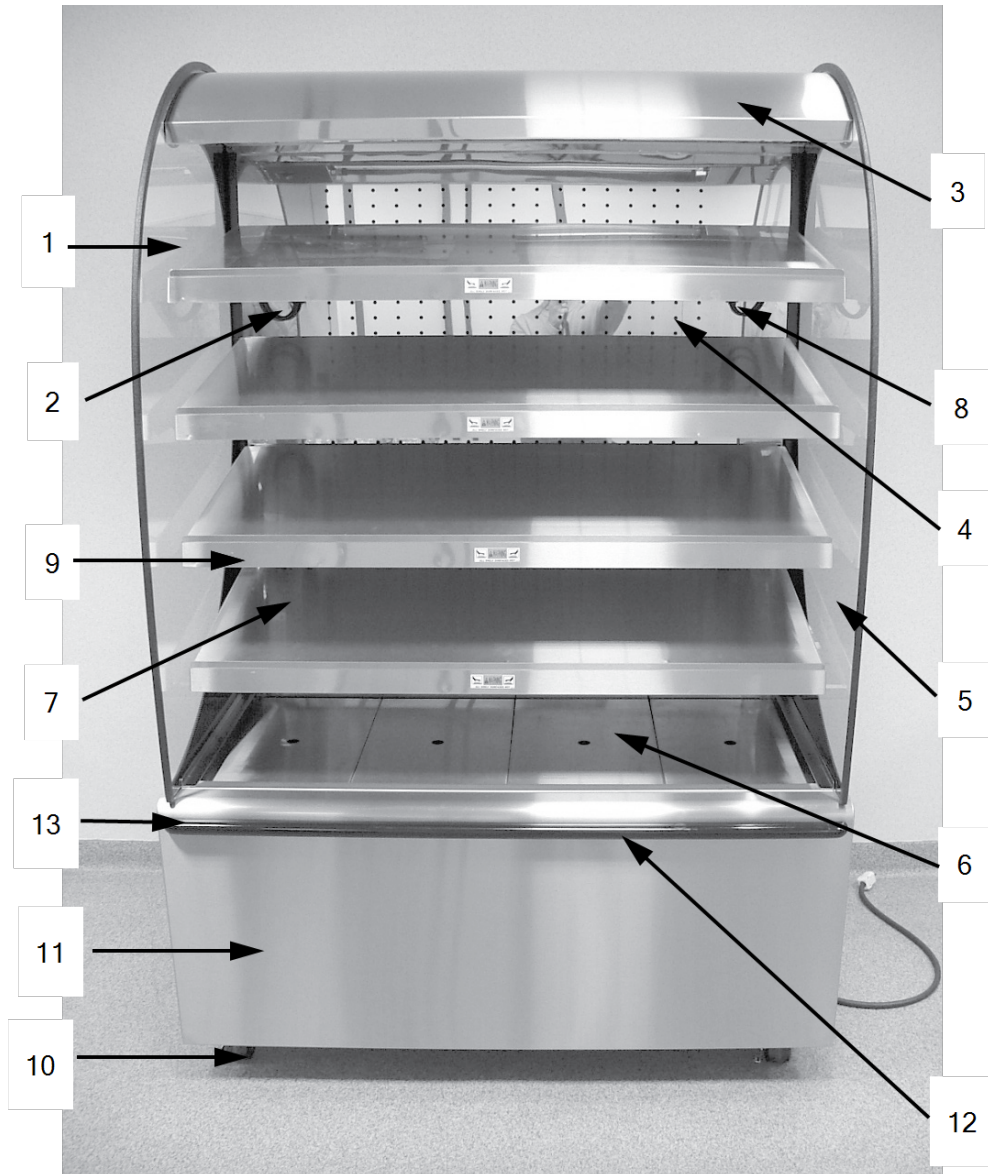




For the most up-to-date parts information, visit
<https://parts.hennypennyhelp.com>.

Glass and Shelf Assembly



Item No.	Part No.	Description	Qty.		Stocking Level
			103	104	
1	65645-001	Clear glass, left	1	1	



For the most up-to-date parts information, visit
<https://parts.hennypennyhelp.com>.

Item No.	Part No.	Description	Qty.		Stocking Level
			103	104	
2	69230	Molded cord lamp plug assembly	3 or 4	-	
2	67893	Molded cord lamp plug assembly	-	3 or 4	
2	65995	Molded harness lamp receptacle	3 or 4	3 or 4	
3	65495	Top cap	1	-	
3	65497	Top cap	-	1	
4	66344	4 shelf removable panel	1	-	
4	66019	4 shelf removable panel	-	1	
4	66361	3 shelf removable panel	1	-	
4	66021	3 shelf removable panel	-	1	
5	65645-002	Clear glass, right	1	1	
6	65614	Bottom insert panel	3	4	
7		<u>Shelf Assembly</u>	3 or 4	3 or 4	
8	66500	Cord heater plug assembly	3 or 4	3 or 4	
8	65992	Molded harness heat receptacle	3 or 4	3 or 4	
9	66274	Product stop stud assembly	3 or 4	-	
9	66249	Product stop stud assembly	-	3 or 4	
10	81699	Swivel caster with brake	2	2	
11		<u>Front Panel Assembly</u>	1	1	
12	66011-001	Snap-on bumper	1	-	
12	66011-002	Snap-on bumper	-	1	



For the most up-to-date parts information, visit
<https://parts.hennypennyhelp.com>.

Item No.	Part No.	Description	Qty.		Stocking Level
			103	104	
13	54649	Snap-on end cap (specify color)	2	2	
14*	MS01-384	Latch strike, male	10	12	
15*	41356	Leg assembly, optional	4	4	
16*	81700	Swivel caster, 3 in	2	2	
Recommended Parts: A = Truck Stock; B = Dist. Stock * = Not Shown					

Shelf Assembly

Item No.	Part No.	Description	Language
7	67693-001	Shelf assembly with label holder, black, 208 VAC, 104, 124	English
7	67693-002	Shelf assembly with label holder, black, 208 VAC, 104, 124	French
7	67693-003	Shelf assembly with label holder, black, 208 VAC, 104, 124	Danish
7	67693-004	Shelf assembly with label holder, black, 208 VAC, 104, 124	Spanish
7	67693-005	Shelf assembly with label holder, black, 208 VAC, 104, 124	German
7	67693-006	Shelf assembly with label holder, black, 208 VAC, 104, 124	Dutch
7	67693-007	Shelf assembly with label holder, black, 208 VAC, 104, 124	Swedish
7	67693-008	Shelf assembly with label holder, black, 208	Norwegian



For the most up-to-date parts information, visit
<https://parts.hennypennyhelp.com>.

Item No.	Part No.	Description	Language
		VAC, 104, 124	
7	67693-009	Shelf assembly with label holder, black, 240 VAC, 104, 124	English
7	67693-010	Shelf assembly with label holder, black, 240 VAC, 104, 124	French
7	67693-011	Shelf assembly with label holder, black, 240 VAC, 104, 124	Danish
7	67693-012	Shelf assembly with label holder, black, 240 VAC, 104, 124	Spanish
7	67693-013	Shelf assembly with label holder, black, 240 VAC, 104, 124	German
7	67693-014	Shelf assembly with label holder, black, 240 VAC, 104, 124	Dutch
7	67693-015	Shelf assembly with label holder, black, 240 VAC, 104, 124	Swedish
7	67693-016	Shelf assembly with label holder, black, 240 VAC, 104, 124	Norwegian
7	67693-017	Shelf assembly with label holder, black, 208 VAC, 103, 123	English
7	67693-018	Shelf assembly with label holder, black, 208 VAC, 103, 123	French
7	67693-019	Shelf assembly with label holder, black, 208 VAC, 103, 123	Danish
7	67693-020	Shelf assembly with label holder, black, 208 VAC, 103, 123	Spanish
7	67693-021	Shelf assembly with label holder, black, 208	German



For the most up-to-date parts information, visit
<https://parts.hennypennyhelp.com>.

Item No.	Part No.	Description	Language
		VAC, 103, 123	
7	67693-022	Shelf assembly with label holder, black, 208 VAC, 103, 123	Dutch
7	67693-023	Shelf assembly with label holder, black, 208 VAC, 103, 123	Swedish
7	67693-024	Shelf assembly with label holder, black, 208 VAC, 103, 123	Norwegian
7	67693-025	Shelf assembly with label holder, black, 240 VAC, 103, 123	English
7	67693-026	Shelf assembly with label holder, black, 240 VAC, 103, 123	French
7	67693-027	Shelf assembly with label holder, black, 240 VAC, 103, 123	Danish
7	67693-028	Shelf assembly with label holder, black, 240 VAC, 103, 123	Spanish
7	67693-029	Shelf assembly with label holder, black, 240 VAC, 103, 123	German
7	67693-030	Shelf assembly with label holder, black, 240 VAC, 103, 123	Dutch
7	67693-031	Shelf assembly with label holder, black, 240 VAC, 103, 123	Swedish
7	67693-032	Shelf assembly with label holder, black, 240 VAC, 103, 123	Norwegian
7	67732-001	Shelf assembly w/o label holder, SS, 208 VAC, 104, 124	English
7	67732-002	Shelf assembly w/o label holder, SS, 208	French



For the most up-to-date parts information, visit
<https://parts.hennypennyhelp.com>.

Item No.	Part No.	Description	Language
		VAC, 104, 124	
7	67732-003	Shelf assembly w/o label holder, SS, 208 VAC, 104, 124	Danish
7	67732-004	Shelf assembly w/o label holder, SS, 208 VAC, 104, 124	Spanish
7	67732-005	Shelf assembly w/o label holder, SS, 208 VAC, 104, 124	German
7	67732-006	Shelf assembly w/o label holder, SS, 208 VAC, 104, 124	Dutch
7	67732-007	Shelf assembly w/o label holder, SS, 208 VAC, 104, 124	Swedish
7	67732-008	Shelf assembly w/o label holder, SS, 208 VAC, 104, 124	Norwegian
7	67732-009	Shelf assembly w/o label holder, SS, 240 VAC, 104, 124	English
7	67732-010	Shelf assembly w/o label holder, SS, 240 VAC, 104, 124	French
7	67732-011	Shelf assembly w/o label holder, SS, 240 VAC, 104, 124	Danish
7	67732-012	Shelf assembly w/o label holder, SS, 240 VAC, 104, 124	Spanish
7	67732-013	Shelf assembly w/o label holder, SS, 240 VAC, 104, 124	German
7	67732-014	Shelf assembly w/o label holder, SS, 240 VAC, 104, 124	Dutch
7	67732-015	Shelf assembly w/o label holder, SS, 240	Swedish



For the most up-to-date parts information, visit
<https://parts.hennypennyhelp.com>.

Item No.	Part No.	Description	Language
		VAC, 104, 124	
7	67732-016	Shelf assembly w/o label holder, SS, 240 VAC, 104, 124	Norwegian
7	67732-017	Shelf assembly w/o label holder, SS, 208 VAC, 103, 123	English
7	67732-018	Shelf assembly w/o label holder, SS, 208 VAC, 103, 123	French
7	67732-019	Shelf assembly w/o label holder, SS, 208 VAC, 103, 123	Danish
7	67732-020	Shelf assembly w/o label holder, SS, 208 VAC, 103, 123	Spanish
7	67732-021	Shelf assembly w/o label holder, SS, 208 VAC, 103, 123	German
7	67732-022	Shelf assembly w/o label holder, SS, 208 VAC, 103, 123	Dutch
7	67732-023	Shelf assembly w/o label holder, SS, 208 VAC, 103, 123	Swedish
7	67732-024	Shelf assembly w/o label holder, SS, 208 VAC, 103, 123	Norwegian
7	67732-025	Shelf assembly w/o label holder, SS, 240 VAC, 103, 123	English
7	67732-026	Shelf assembly w/o label holder, SS, 240 VAC, 103, 123	French
7	67732-027	Shelf assembly w/o label holder, SS, 240 VAC, 103, 123	Danish
7	67732-028	Shelf assembly w/o label holder, SS, 240	Spanish



For the most up-to-date parts information, visit
<https://parts.hennypennyhelp.com>.

Item No.	Part No.	Description	Language
		VAC, 103, 123	
7	67732-029	Shelf assembly w/o label holder, SS, 240 VAC, 103, 123	German
7	67732-030	Shelf assembly w/o label holder, SS, 240 VAC, 103, 123	Dutch
7	67732-031	Shelf assembly w/o label holder, SS, 240 VAC, 103, 123	Swedish
7	67732-032	Shelf assembly w/o label holder, SS, 240 VAC, 103, 123	Norwegian

Front Panel Assembly

Item No.	Part No.	Description	Language
11	67697-001	Removable front panel assembly, 104, 124	English
11	67697-002	Removable front panel assembly, 104, 124	German
11	67697-003	Removable front panel assembly, 104, 124	French
11	67697-004	Removable front panel assembly, 104, 124	Norwegian
11	67697-005	Removable front panel assembly, 104, 124	Spanish
11	67697-006	Removable front panel assembly, 104, 124	Danish
11	67697-007	Removable front panel assembly, 104, 124	Dutch
11	67697-008	Removable front panel assembly, 104, 124	Swedish
11	69780-003	Removable front panel assembly, 104, specify color	English
11	67697-009	Removable front panel assembly, 103, 123	English
11	67697-010	Removable front panel assembly, 103, 123	German



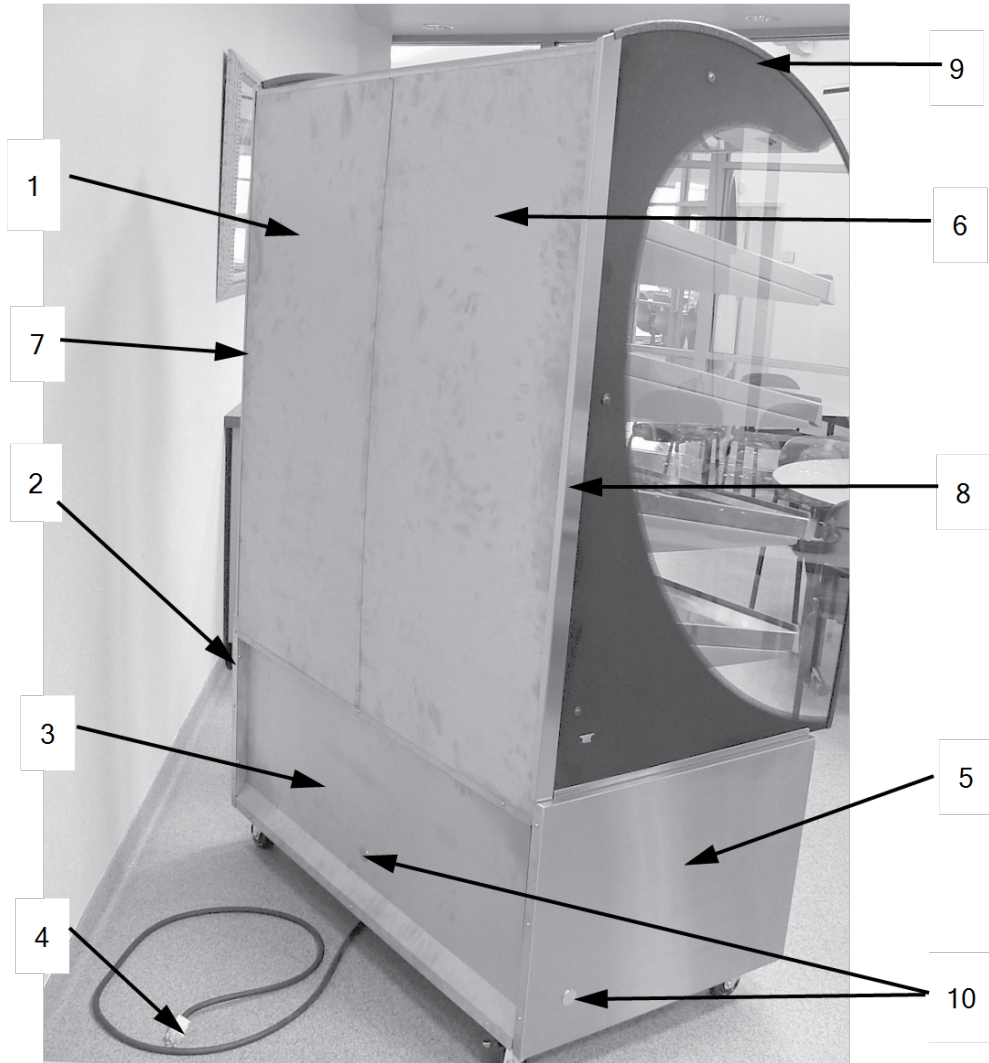
For the most up-to-date parts information, visit
<https://parts.hennypennyhelp.com>.

Item No.	Part No.	Description	Language
11	67697-011	Removable front panel assembly, 103, 123	French
11	67697-012	Removable front panel assembly, 103, 123	Norwegian
11	67697-013	Removable front panel assembly, 103, 123	Spanish
11	67697-014	Removable front panel assembly, 103, 123	Danish
11	67697-015	Removable front panel assembly, 103, 123	Dutch
11	67697-016	Removable front panel assembly, 103, 123	Swedish
11	69795-003	Removable front panel assembly, 103, specify color	English



For the most up-to-date parts information, visit
<https://parts.hennypennyhelp.com>.

Frame Assembly



Item No.	Part No.	Description	Qty.		Stocking Level
			103	104	
1	66014	Rear panel, left	1	1	
2	65530	Side panel, right	1	1	
3	66432	Rear panel, lower	1	-	



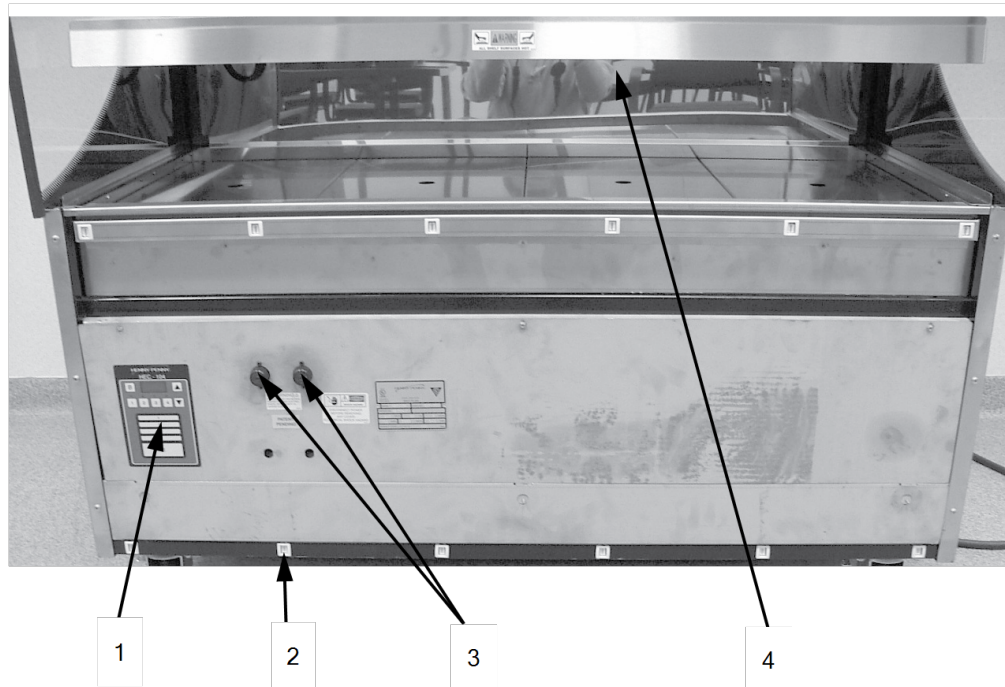
For the most up-to-date parts information, visit
<https://parts.hennypennyhelp.com>.

Item No.	Part No.	Description	Qty.		Stocking Level
			103	104	
3	65659	Rear panel, lower	-	1	
4	66086	Power cord assembly, 1PH-20A-12Ga	1	1	
4	66128	Power cord assembly, 1PH-30A-12Ga	-	1	
4	66140	Power cord assembly, PH-15A-12Ga	1	1	
5	66030	Side panel, left	1	1	
6	66300	Rear panel, right	1	-	
6	66015	Rear panel, right	-	1	
7	66022	Stud trim assembly, left	1	1	
8	66025	Stud trim assembly, right	1	1	
9	MS01-509	Trimlock, black edge guard, 1/4	12 ft	12 ft	
10	PL01-033	Plug button, 1-1/8	3	3	
11*	69208	Rear panel insulation	3		
11*	69744	Rear panel insulation		4	
Recommended Parts: A = Truck Stock; B = Dist. Stock * = Not Shown					



For the most up-to-date parts information, visit
<https://parts.hennypennyhelp.com>.

Fuse Assembly



Item No.	Part No.	Description	Qty.		Stocking Level
			103	104	
1	65785	4 shelf decal	1	1	
1	66038	3 shelf decal	1	1	
2	MS01-383	Front panel latch, plastic, female	10	12	
3	EF02-006	Fuse holder, 15 amp (SN: HC0701010 & below)	2	2	A
3	EF02-007	Fuse, 15 amp (SN: HC0701010 & below)	2	2	A
3	EF02-125	Push button reset breaker (SN: HC0701011 & above)	2	2	A
3	EF02-104	Fuse holder, 20 amp, CE	2	2	A



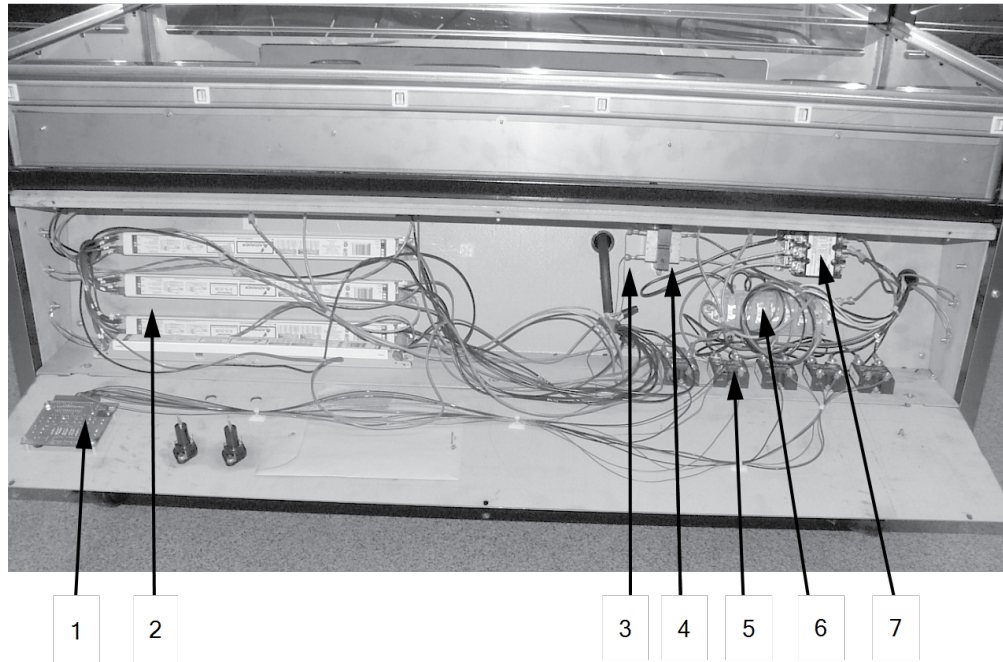
For the most up-to-date parts information, visit
<https://parts.hennypennyhelp.com>.

Item No.	Part No.	Description	Qty.		Stocking Level
			103	104	
3	EF02-105	Fuse, 15 amp, CE	2	2	A
4	66411	Lower panel, removable	1	-	
4	66020	Lower panel, removable	-	1	
Recommended Parts: A = Truck Stock; B = Dist. Stock * = Not Shown					



For the most up-to-date parts information, visit
<https://parts.hennypennyhelp.com>.

Electrical Assembly



Item No.	Part No.	Description	Qty.		Stocking Level
			103	104	
1	66095	Control, duty cycle	1	1	A
2	71036	Fluorescent light ballast, 120, 277VAC	4 or 5	4 or 5	A
2	66811	Ballast, 220-240VAC, CE, 4/21/28/35W	4 or 5	4 or 5	A
3	65769	Terminal block assembly, power	1	1	
3	66815	Terminal block assembly, power, CE	1	1	
3	66848	Terminal block assembly, power, international	1	1	



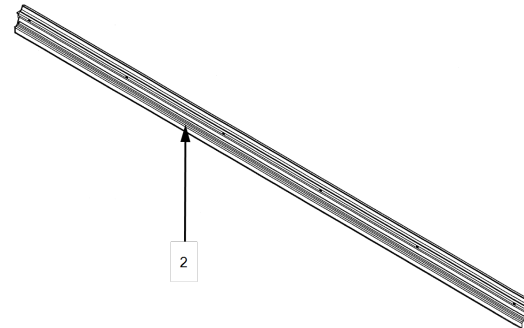
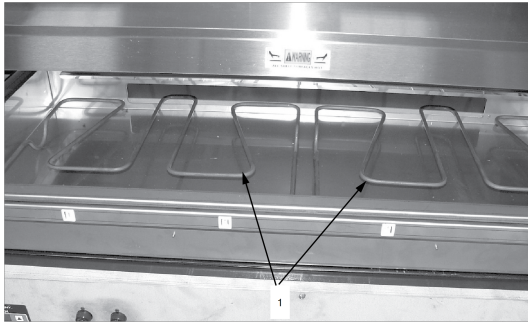
For the most up-to-date parts information, visit
<https://parts.hennypennyhelp.com>.

Item No.	Part No.	Description	Qty.		Stocking Level
			103	104	
4	28979	Transformer, 208/240 VAC primary, 12V secondary	1	1	A
5	40645	Solid state relay, 48-280VAC, 25 Amp	4 or 5	4 or 5	A
6	66658	Terminal block assembly, lights	1	1	
6	66820	Terminal block assembly, lights, CE	1	1	
7	19405	Contact, 208/240 VAC	1	1	A
8*	51057	EMC filter, CE	1	1	B
Recommended Parts: A = Truck Stock; B = Dist. Stock * = Not Shown					



For the most up-to-date parts information, visit
<https://parts.hennypennyhelp.com>.

Heat Assembly

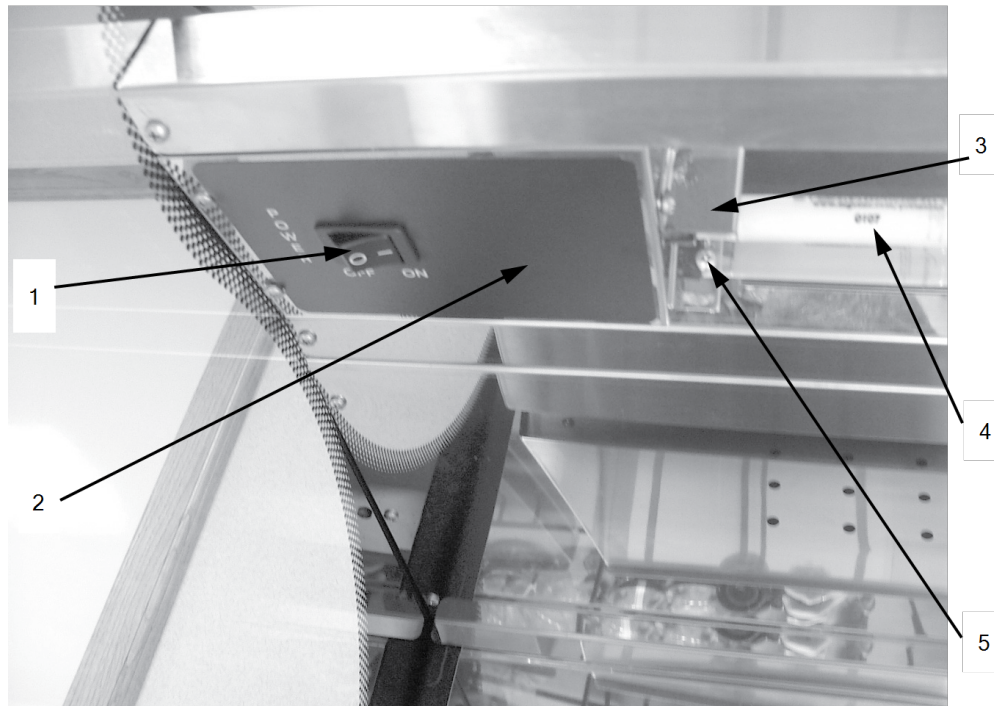


Item No.	Part No.	Description	Qty.		Stocking Level
			103	104	
1	66659-001	Heater, 208 VAC, 1100W	1		A
1	66659-002	Heater, 240 VAC, 1100W	1		A
1	65566-001	Heater, 208 VAC, 825W		2	A
1	65566-002	Heater, 240 VAC, 825W		2	A
2	65951-001	Price label holder, optional, 104		3 or 4	
2	65951-002	Price label holder, optional, 103	3 or 4		
3	66121	Price label gasket	6 or 8	6 or 8	
Recommended Parts: A = Truck Stock; B = Dist. Stock * = Not Shown					



For the most up-to-date parts information, visit
<https://parts.hennypennyhelp.com>.

Power Switch Assembly

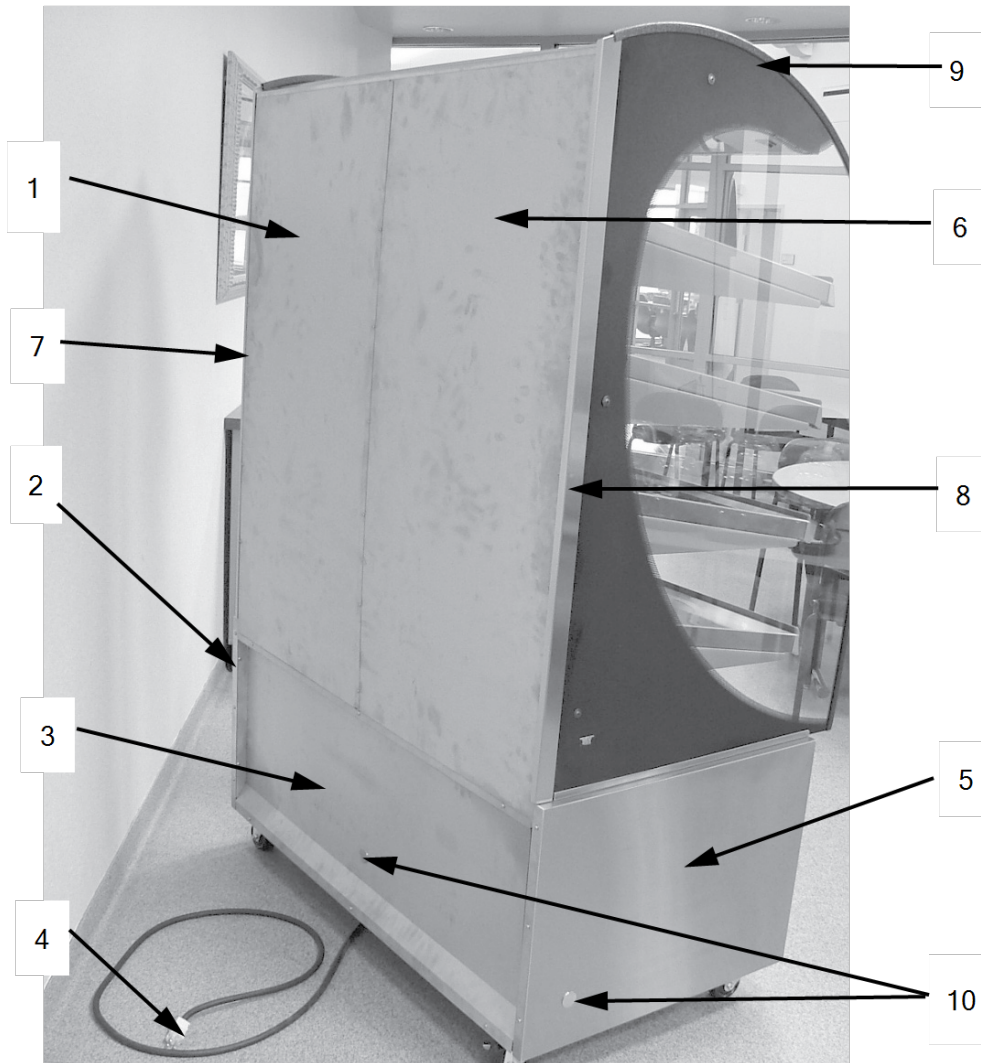


Item No.	Part No.	Description	Qty.		Stocking Level
			103	104	
1	72277	Power switch	2	2	A
2	66063	Power switch decal	1	1	
3	66106	Ceiling lamp retainer	8 or 10	8 or 10	
4	BL01-026	Fluorescent light, F14T5	4 or 5	-	A
4	BL01-025	Fluorescent light, F21T5	-	4 or 5	A
5	70157	Lampholder assembly, T5 Lamp, Bi Pin	8 or 10	8 or 10	A
Recommended Parts: A = Truck Stock; B = Dist. Stock * = Not Shown					



For the most up-to-date parts information, visit
<https://parts.hennypennyhelp.com>.

Frame Assembly



Item No.	Part No.	Description	Qty.		Stocking Level
			123	124	
1	68556	Rear panel, left	1	1	
2	65530	Side panel, right	1	1	
3	66432	Rear panel, lower	1	-	



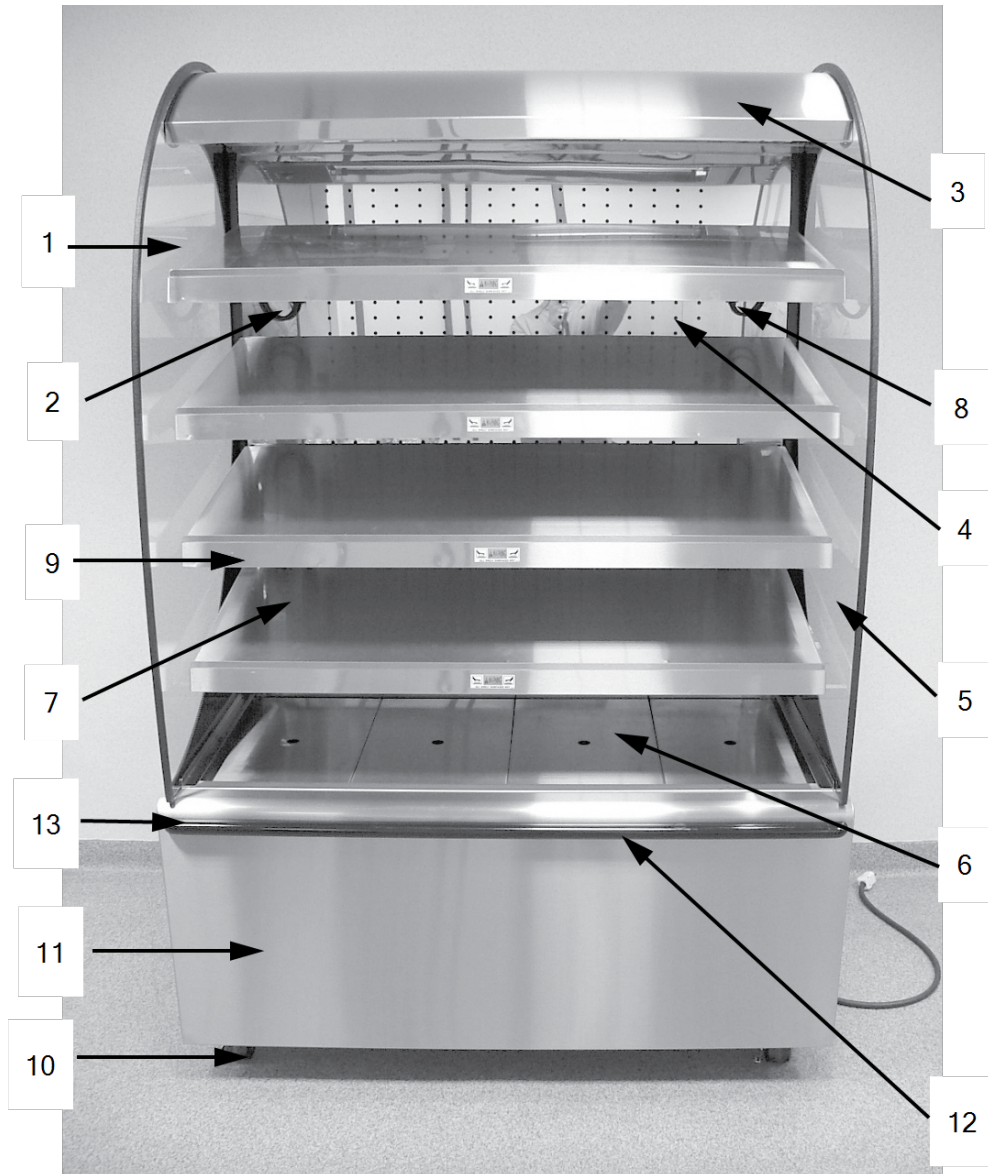
For the most up-to-date parts information, visit
<https://parts.hennypennyhelp.com>.

Item No.	Part No.	Description	Qty.		Stocking Level
			123	124	
3	65659	Rear panel, lower	-	1	
4	66086	Power cord assembly, 1PH-20A-12Ga	1	1	
5	66030	Side panel, left	1	1	
6	69641	Rear panel, right	1	-	
6	68557	Rear panel, right	-	1	
7	68554	Stud trim assembly, left	1	1	
8	68555	Stud trim assembly, right	1	1	
9	MS01-509	Trimlock, black edge guard, 1/4	9.25 ft	9.25 ft	
10	PL01-033	Plug button, 1-1/8	3	3	
11*	69208	Rear panel insulation	3		
11*	69744	Rear panel insulation		4	
Recommended Parts: A = Truck Stock; B = Dist. Stock * = Not Shown					



For the most up-to-date parts information, visit
<https://parts.hennypennyhelp.com>.

Glass and Shelf Assembly



Item No.	Part No.	Description	Qty.		Stocking Level
			123	124	
1	68158-001	Clear glass, left	1	1	



For the most up-to-date parts information, visit
<https://parts.hennypennyhelp.com>.

Item No.	Part No.	Description	Qty.		Stocking Level
			123	124	
2	69230	Molded cord lamp plug assembly	2	-	
2	67893	Molded cord lamp plug assembly	-	2	
2	65995	Molded harness lamp receptacle	2	2	
3	65495	Top cap	1	-	
3	65497	Top cap	-	1	
4	69639	2 shelf removable panel	1	-	
4	68549	2 shelf removable panel	-	1	
5	68158-002	Clear glass, right	1	1	
6	65614	Bottom insert panel	3	4	
7		<u>Shelf Assembly</u>	2	2	
8	66500	Cord heater plug assembly	2	2	
8	65992	Molded harness heat receptacle	2	2	
9	66274	Product stop stud assembly	2	-	
9	66249	Product stop stud assembly	-	2	
10	81699	Swivel caster with brake	2	2	
11		<u>Front Panel Assembly</u>	1	1	
12	66011-001	Snap-on bumper	1	-	
12	66011-002	Snap-on bumper	-	1	
13	54649	Snap-on end cap (specify color)	2	2	
14*	MS01-384	Latch strike, male	10	12	



For the most up-to-date parts information, visit
<https://parts.hennypennyhelp.com>.

Item No.	Part No.	Description	Qty.		Stocking Level
			123	124	
15*	41356	Leg assembly, optional	4	4	
16*	81700	Swivel caster, 3 in	2	2	
Recommended Parts: A = Truck Stock; B = Dist. Stock * = Not Shown					

Shelf Assembly

Item No.	Part No.	Description	Language
7	67693-001	Shelf assembly with label holder, black, 208 VAC, 104, 124	English
7	67693-002	Shelf assembly with label holder, black, 208 VAC, 104, 124	French
7	67693-003	Shelf assembly with label holder, black, 208 VAC, 104, 124	Danish
7	67693-004	Shelf assembly with label holder, black, 208 VAC, 104, 124	Spanish
7	67693-005	Shelf assembly with label holder, black, 208 VAC, 104, 124	German
7	67693-006	Shelf assembly with label holder, black, 208 VAC, 104, 124	Dutch
7	67693-007	Shelf assembly with label holder, black, 208 VAC, 104, 124	Swedish
7	67693-008	Shelf assembly with label holder, black, 208 VAC, 104, 124	Norwegian
7	67693-009	Shelf assembly with label holder, black, 240 VAC, 104, 124	English



For the most up-to-date parts information, visit
<https://parts.hennypennyhelp.com>.

Item No.	Part No.	Description	Language
7	67693-010	Shelf assembly with label holder, black, 240 VAC, 104, 124	French
7	67693-011	Shelf assembly with label holder, black, 240 VAC, 104, 124	Danish
7	67693-012	Shelf assembly with label holder, black, 240 VAC, 104, 124	Spanish
7	67693-013	Shelf assembly with label holder, black, 240 VAC, 104, 124	German
7	67693-014	Shelf assembly with label holder, black, 240 VAC, 104, 124	Dutch
7	67693-015	Shelf assembly with label holder, black, 240 VAC, 104, 124	Swedish
7	67693-016	Shelf assembly with label holder, black, 240 VAC, 104, 124	Norwegian
7	67693-017	Shelf assembly with label holder, black, 208 VAC, 103, 123	English
7	67693-018	Shelf assembly with label holder, black, 208 VAC, 103, 123	French
7	67693-019	Shelf assembly with label holder, black, 208 VAC, 103, 123	Danish
7	67693-020	Shelf assembly with label holder, black, 208 VAC, 103, 123	Spanish
7	67693-021	Shelf assembly with label holder, black, 208 VAC, 103, 123	German
7	67693-022	Shelf assembly with label holder, black, 208 VAC, 103, 123	Dutch



For the most up-to-date parts information, visit
<https://parts.hennypennyhelp.com>.

Item No.	Part No.	Description	Language
7	67693-023	Shelf assembly with label holder, black, 208 VAC, 103, 123	Swedish
7	67693-024	Shelf assembly with label holder, black, 208 VAC, 103, 123	Norwegian
7	67693-025	Shelf assembly with label holder, black, 240 VAC, 103, 123	English
7	67693-026	Shelf assembly with label holder, black, 240 VAC, 103, 123	French
7	67693-027	Shelf assembly with label holder, black, 240 VAC, 103, 123	Danish
7	67693-028	Shelf assembly with label holder, black, 240 VAC, 103, 123	Spanish
7	67693-029	Shelf assembly with label holder, black, 240 VAC, 103, 123	German
7	67693-030	Shelf assembly with label holder, black, 240 VAC, 103, 123	Dutch
7	67693-031	Shelf assembly with label holder, black, 240 VAC, 103, 123	Swedish
7	67693-032	Shelf assembly with label holder, black, 240 VAC, 103, 123	Norwegian
7	67732-001	Shelf assembly w/o label holder, SS, 208 VAC, 104, 124	English
7	67732-002	Shelf assembly w/o label holder, SS, 208 VAC, 104, 124	French
7	67732-003	Shelf assembly w/o label holder, SS, 208 VAC, 104, 124	Danish



For the most up-to-date parts information, visit
<https://parts.hennypennyhelp.com>.

Item No.	Part No.	Description	Language
7	67732-004	Shelf assembly w/o label holder, SS, 208 VAC, 104, 124	Spanish
7	67732-005	Shelf assembly w/o label holder, SS, 208 VAC, 104, 124	German
7	67732-006	Shelf assembly w/o label holder, SS, 208 VAC, 104, 124	Dutch
7	67732-007	Shelf assembly w/o label holder, SS, 208 VAC, 104, 124	Swedish
7	67732-008	Shelf assembly w/o label holder, SS, 208 VAC, 104, 124	Norwegian
7	67732-009	Shelf assembly w/o label holder, SS, 240 VAC, 104, 124	English
7	67732-010	Shelf assembly w/o label holder, SS, 240 VAC, 104, 124	French
7	67732-011	Shelf assembly w/o label holder, SS, 240 VAC, 104, 124	Danish
7	67732-012	Shelf assembly w/o label holder, SS, 240 VAC, 104, 124	Spanish
7	67732-013	Shelf assembly w/o label holder, SS, 240 VAC, 104, 124	German
7	67732-014	Shelf assembly w/o label holder, SS, 240 VAC, 104, 124	Dutch
7	67732-015	Shelf assembly w/o label holder, SS, 240 VAC, 104, 124	Swedish
7	67732-016	Shelf assembly w/o label holder, SS, 240 VAC, 104, 124	Norwegian



For the most up-to-date parts information, visit
<https://parts.hennypennyhelp.com>.

Item No.	Part No.	Description	Language
7	67732-017	Shelf assembly w/o label holder, SS, 208 VAC, 103, 123	English
7	67732-018	Shelf assembly w/o label holder, SS, 208 VAC, 103, 123	French
7	67732-019	Shelf assembly w/o label holder, SS, 208 VAC, 103, 123	Danish
7	67732-020	Shelf assembly w/o label holder, SS, 208 VAC, 103, 123	Spanish
7	67732-021	Shelf assembly w/o label holder, SS, 208 VAC, 103, 123	German
7	67732-022	Shelf assembly w/o label holder, SS, 208 VAC, 103, 123	Dutch
7	67732-023	Shelf assembly w/o label holder, SS, 208 VAC, 103, 123	Swedish
7	67732-024	Shelf assembly w/o label holder, SS, 208 VAC, 103, 123	Norwegian
7	67732-025	Shelf assembly w/o label holder, SS, 240 VAC, 103, 123	English
7	67732-026	Shelf assembly w/o label holder, SS, 240 VAC, 103, 123	French
7	67732-027	Shelf assembly w/o label holder, SS, 240 VAC, 103, 123	Danish
7	67732-028	Shelf assembly w/o label holder, SS, 240 VAC, 103, 123	Spanish
7	67732-029	Shelf assembly w/o label holder, SS, 240 VAC, 103, 123	German



For the most up-to-date parts information, visit
<https://parts.hennypennyhelp.com>.

Item No.	Part No.	Description	Language
7	67732-030	Shelf assembly w/o label holder, SS, 240 VAC, 103, 123	Dutch
7	67732-031	Shelf assembly w/o label holder, SS, 240 VAC, 103, 123	Swedish
7	67732-032	Shelf assembly w/o label holder, SS, 240 VAC, 103, 123	Norwegian

Front Panel Assembly

Item No.	Part No.	Description	Language
11	67697-001	Removable front panel assembly, 104, 124	English
11	67697-002	Removable front panel assembly, 104, 124	German
11	67697-003	Removable front panel assembly, 104, 124	French
11	67697-004	Removable front panel assembly, 104, 124	Norwegian
11	67697-005	Removable front panel assembly, 104, 124	Spanish
11	67697-006	Removable front panel assembly, 104, 124	Danish
11	67697-007	Removable front panel assembly, 104, 124	Dutch
11	67697-008	Removable front panel assembly, 104, 124	Swedish
11	69780-003	Removable front panel assembly, 104, specify color	English
11	67697-009	Removable front panel assembly, 103, 123	English
11	67697-010	Removable front panel assembly, 103, 123	German
11	67697-011	Removable front panel assembly, 103, 123	French
11	67697-012	Removable front panel assembly, 103, 123	Norwegian



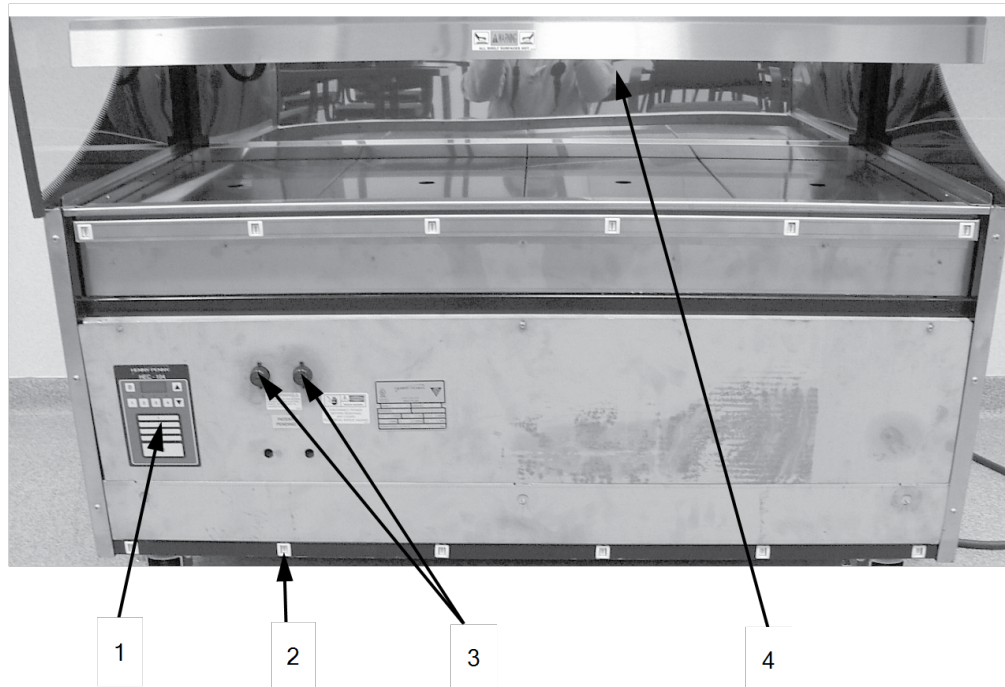
For the most up-to-date parts information, visit
<https://parts.hennypennyhelp.com>.

Item No.	Part No.	Description	Language
11	67697-013	Removable front panel assembly, 103, 123	Spanish
11	67697-014	Removable front panel assembly, 103, 123	Danish
11	67697-015	Removable front panel assembly, 103, 123	Dutch
11	67697-016	Removable front panel assembly, 103, 123	Swedish
11	69795-003	Removable front panel assembly, 103, specify color	English



For the most up-to-date parts information, visit
<https://parts.hennypennyhelp.com>.

Fuse Assembly



Item No.	Part No.	Description	Qty.		Stocking Level
			123	124	
1	68579	2 shelf decal	1	1	
2	MS01-383	Front panel latch, plastic, female	10	12	
3	EF02-006	Fuse holder, 15 amp (SN: HC0701016 & below)	2	2	A
3	EF02-007	Fuse, 15 amp (SN: HC0701016 & below)	2	2	A
3	EF02-125	Push button reset breaker (SN: HC0701017 & above)	2	2	A
3	EF02-104	Fuse holder, 20 amp, CE	2	2	A
3	EF02-105	Fuse, 15 amp, CE	2	2	A



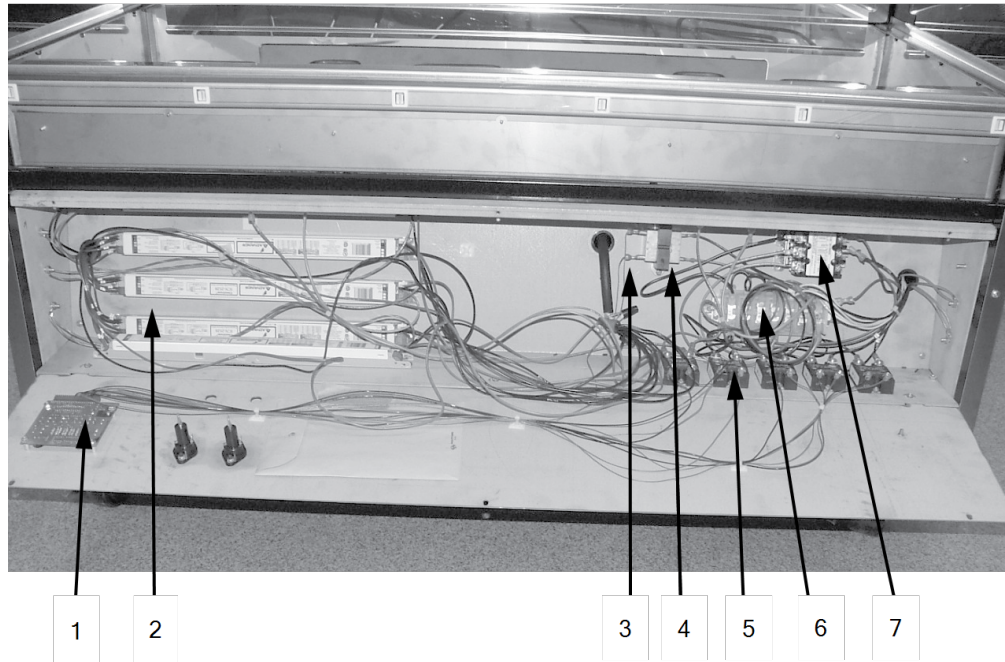
For the most up-to-date parts information, visit
<https://parts.hennypennyhelp.com>.

Item No.	Part No.	Description	Qty.		Stocking Level
			123	124	
4	66411	Lower panel, removable	1	-	
4	66020	Lower panel, removable	-	1	
Recommended Parts: A = Truck Stock; B = Dist. Stock * = Not Shown					



For the most up-to-date parts information, visit
<https://parts.hennypennyhelp.com>.

Electrical Assembly



Item No.	Part No.	Description	Qty.		Stocking Level
			123	124	
1	66095	Control, duty cycle	1	1	A
2	71036	Fluorescent light ballast, 120, 277VAC	3	3	A
2	66811	Ballast, 220-240VAC, CE, 4/21/28/35W	3	3	A
3	65769	Terminal block assembly, power	1	1	
3	66815	Terminal block assembly, power, CE	1	1	
3	66848	Terminal block assembly, power, international	1	1	



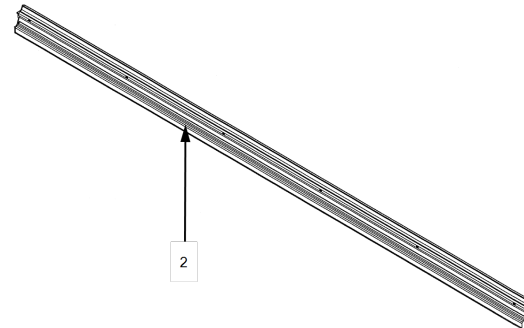
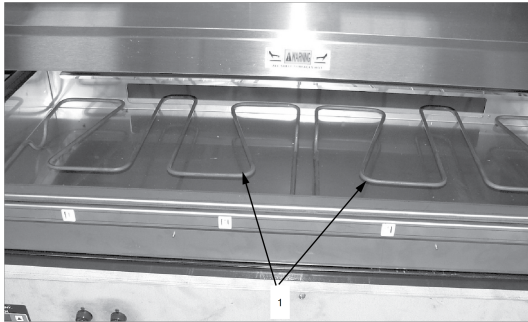
For the most up-to-date parts information, visit
<https://parts.hennypennyhelp.com>.

Item No.	Part No.	Description	Qty.		Stocking Level
			123	124	
4	28979	Transformer, 208/240 VAC primary, 12V secondary	1	1	A
5	40645	Solid state relay, 48-280VAC, 25 Amp	3	3	A
6	66658	Terminal block assembly, lights	1	1	
6	66820	Terminal block assembly, lights, CE	1	1	
7	19405	Contactor, 208/240 VAC	1	1	A
8*	51057	EMC filter, CE	1	1	B
Recommended Parts: A = Truck Stock; B = Dist. Stock * = Not Shown					



For the most up-to-date parts information, visit
<https://parts.hennypennyhelp.com>.

Heat Assembly

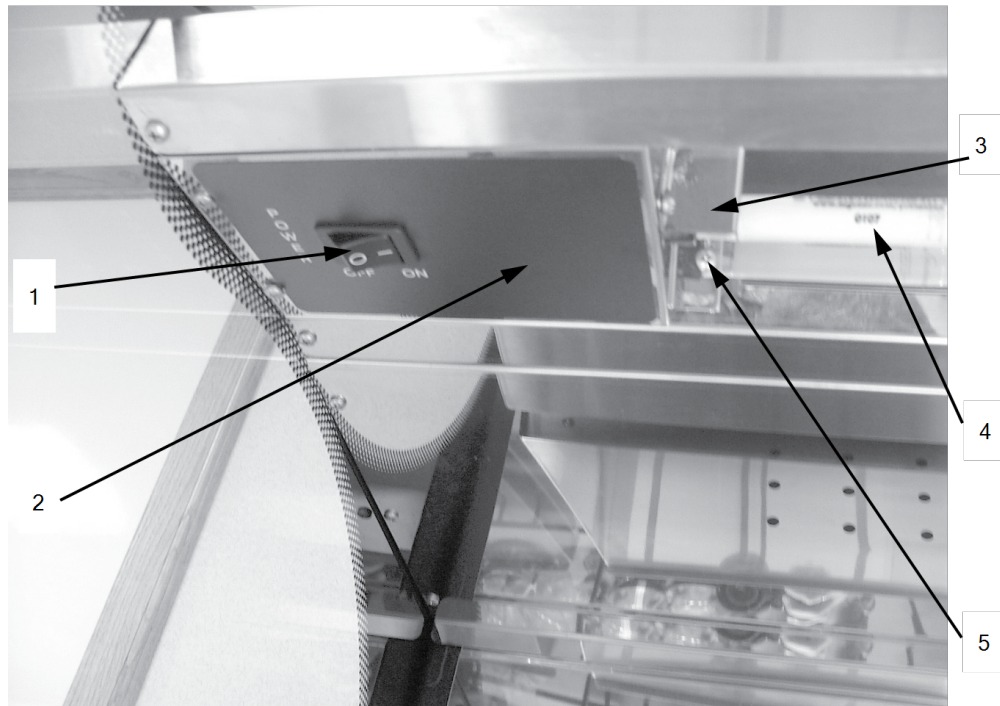


Item No.	Part No.	Description	Qty.		Stocking Level
			103	104	
1	66659-001	Heater, 208 VAC, 1100W	1		A
1	66659-002	Heater, 240 VAC, 1100W	1		A
1	65566-001	Heater, 208 VAC, 825W		2	A
1	65566-002	Heater, 240 VAC, 825W		2	A
2	65951-001	Price label holder, optional, 104		3 or 4	
2	65951-002	Price label holder, optional, 103	3 or 4		
3*	66121	Price label gasket	6 or 8	6 or 8	
Recommended Parts: A = Truck Stock; B = Dist. Stock * = Not Shown					



For the most up-to-date parts information, visit
<https://parts.hennypennyhelp.com>.

Power Switch Assembly



Item No.	Part No.	Description	Qty.		Stocking Level
			123	124	
1	72277	Power switch	2	2	A
2	66063	Power switch decal	1	1	
3	66106	Ceiling lamp retainer	6	6	
4	BL01-026	Flourescent light, F14T5	3	-	A
4	BL01-025	Flourescent light, F21T5	-	3	A
5	70157	Lampholder assembly, T5 Lamp, Bi Pin	6	6	A
Recommended Parts: A = Truck Stock; B = Dist. Stock * = Not Shown					