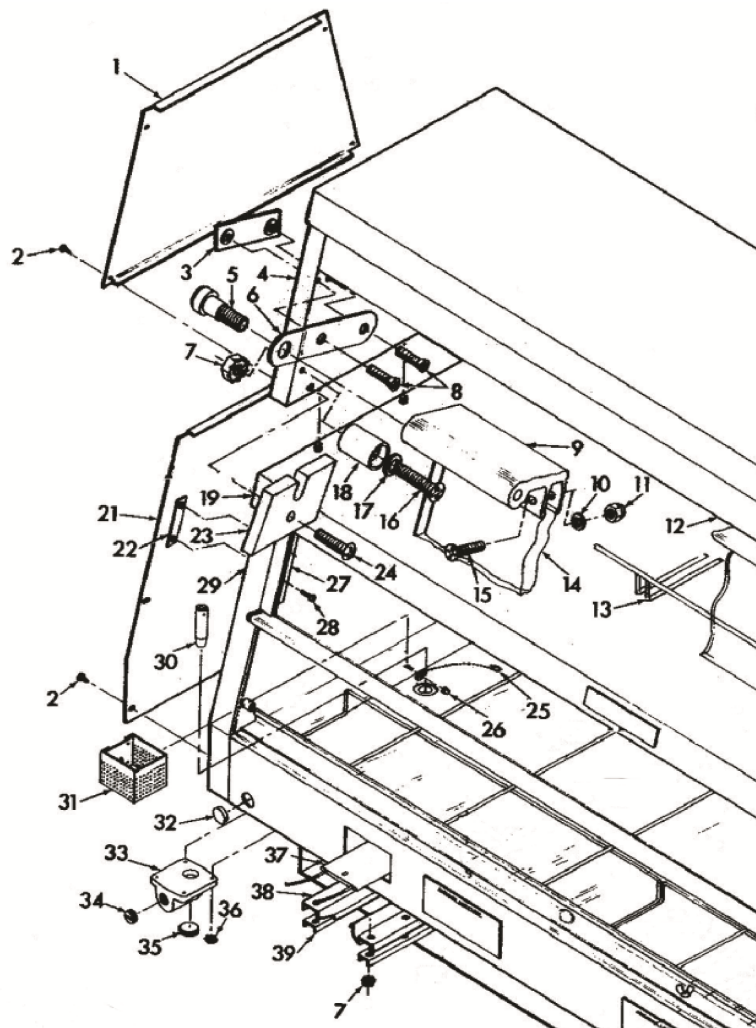




For the most up-to-date parts information, visit
<https://parts.hennypennyhelp.com>.

Panel and Door Assembly

Left Panels and Door Assembly



Item No.	Part No.	Description	Qty. HCS / HCW-2	Qty. HCS / HCW-3/5	Qty. HCW-8	Stocking Level
1	22525	Top end panel	-	2	2	



For the most up-to-date parts information, visit
<https://parts.hennypennyhelp.com>.

Item No.	Part No.	Description	Qty. HCS / HCW-2	Qty. HCS / HCW-3/5	Qty. HCW-8	Stocking Level
2	SC02-023	Screw, 8 x 3/8 in	A/R	A/R	A/R	
3	22670	Hinge bracket assembly	4	8	8	
4	22889	Top end channel, 1-1/2 in (IR022JB and after)	-	1	1	
4	14403	Top end channel kit (before IR021JB)	-	1	1	
5	38172	Shoulder bolt	4	8	8	
6	22731	Side pivot	4	8	8	
7	NS02-002	Hex kep nut, 1/4-20	A/R	A/R	A/R	
8	SC01-032	Screw, 8-32 x 5/8 in	A/R	A/R	A/R	
9	22650	Extrusion door	-	4	-	
9	72184	Extrusion door	2	-	-	
10	LW02-006	internal lock-washer, 8	8	16	34	
11	NS03-024	Acorn nut, 8-32	8	16	34	
12	22579	Top decorator panel assembly	-	2	-	
12	38941	Top decorator panel assembly	-	2		



For the most up-to-date parts information, visit
<https://parts.hennypennyhelp.com>.

Item No.	Part No.	Description	Qty. HCS / HCW-2	Qty. HCS / HCW-3/5	Qty. HCW-8	Stocking Level
13	22558	Top pan support	-	1	-	
13	38935	Top pan support	-	-	3	
14	22728	Door assembly, HCS/HCW 2, 3/5	A/R	A/R	-	B
14*	22554	Viewing panel only	A/R	A/R	A/R	
14	38743	Door assembly, HCW 8	-	-	A/R	B
14	72183	Flip-door, HCS	A/R	-	-	
15	SC01-096	Screw, 8-32 x 5/8 in	A/R	A/R	A/R	
16	SC01-068	Screw, 1/4-20 x 1 in	4	8	8	
17	WA01-012	Washer	4	8	8	
18	22455	Door stop	4	8	24	
19	22599	Middle shelf sub-assembly	-	1	-	
19	69707	Middle shelf sub-assembly, CE	1	-	-	
19	38973	Middle shelf sub-assembly	-	-	1	
20	WA01-002	Electric component plate with washer	5	5	5	*
21	22519	End panel	2	2	2	
22	NS03-050	Nutsert, #8	4	8	8	



For the most up-to-date parts information, visit
<https://parts.hennypennyhelp.com>.

Item No.	Part No.	Description	Qty. HCS / HCW-2	Qty. HCS / HCW-3/5	Qty. HCW-8	Stocking Level
23	22088	Rack support	-	2	2	
24	SC01-074	Screw, 10-32 x 3/4 in	-	2	2	
25	22802	Retaining chain assembly	1	1	1	
26	NS03-016	Nut, 6-32 x 3/4 in	1	1	1	
27	41557	Left-hand viewing panel bracket assembly	2	4	4	
28	SC01-053	Screw, 8-32 x 3/4 in	A/R	A/R	A/R	
29	22887	End channel bottom, 1-1/2 (IR022JB and after)	1	1	1	
29	14401	End channel bottom kit (before IR021JB)	-	1	1	
30	28071	Overflow tube	1	1	1	
31	67852	Screen assembly	1	1	1	
32	PL01-006	Plug, diameter 1-1/8 in	3	3	3	
33	22472	Drain block	1	1	1	
34	FP01-009	Pipe plug, brass, 3/4 in	1	1	1	



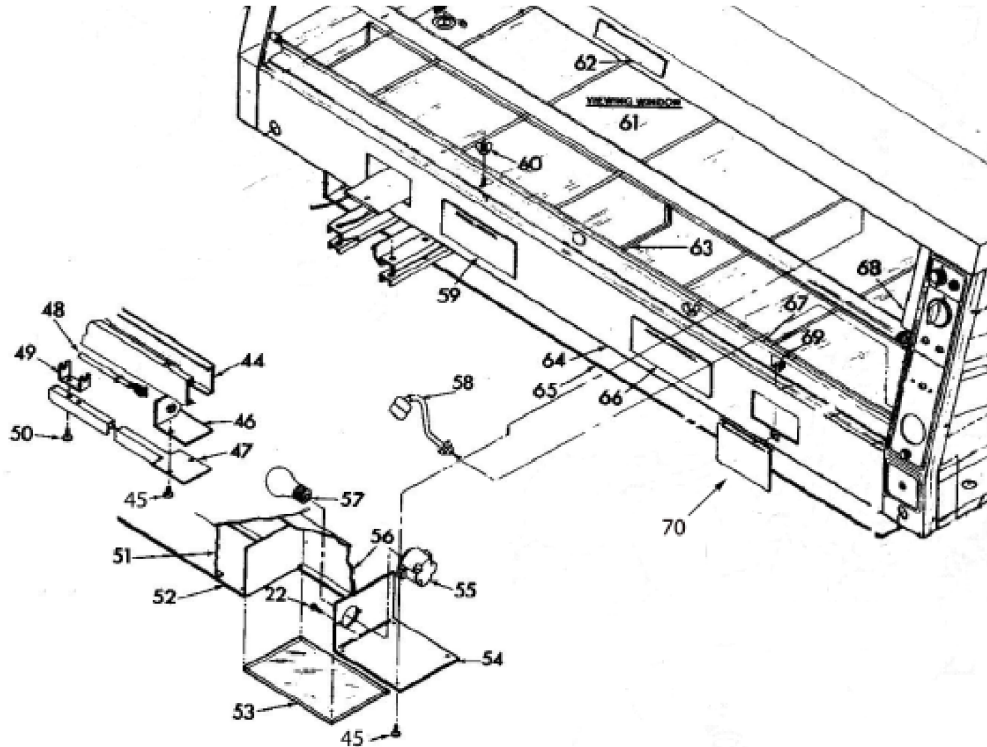
For the most up-to-date parts information, visit
<https://parts.hennypennyhelp.com>.

Item No.	Part No.	Description	Qty. HCS / HCW-2	Qty. HCS / HCW-3/5	Qty. HCW-8	Stocking Level
35	FP01-021	Pipe plug, 1 in	1	1	1	
36	NS02-006	Hex keps nut, 10-24	A/R	A/R	A/R	
37	22648	Strip heater, 230 VAC, 1020 watt	2	2	4	B
37	22649	Strip heater, 208 VAC, 1020 watt	-	2	4	B
38	22430	Heater clamp	4	4	8	
39	22429	Heater brace	4	4	8	
40*	14089	Sliding glass door conversion kit	A/R	A/R	A/R	
Recommended Parts: A = Truck Stock; B = Dist. Stock A/R = As Required						



For the most up-to-date parts information, visit
<https://parts.hennypennyhelp.com>.

Right Panels and Door Assembly



Item No.	Part No.	Description	Qty. HCS / HCW-2	Qty. HCS / HCW-3/5	Qty. HCW-8	Stocking Level
44	22549	Heater housing reflector	-	1	-	
44	39989	Heater housing reflector	-	-	1	
44	72203	Heater housing reflector	1	-	-	
45	SC02-023	Screw, 8 x 3/8 in	A/R	A/R	A/R	
46	22536	Terminal cover	2	4	4	
47	22578	Heater deflector	-	1	-	



For the most up-to-date parts information, visit
<https://parts.hennypennyhelp.com>.

Item No.	Part No.	Description	Qty. HCS / HCW-2	Qty. HCS / HCW-3/5	Qty. HCW-8	Stocking Level
47	39935	Heater deflector	-	-	1	
47	72204	Heater deflector	1	-	-	
48	22644	Lower radiant heater, 230 VAC, 1000 watt	-	1	-	B
48	22645	Lower radiant heater, 208 VAC, 1000 watt	-	1	-	B
48	38955	Lower radiant heater, 230 VAC, 2000 watt	-	-	1	B
48	38786	Lower radiant heater, 208 VAC, 2000 watt	-	-	1	B
48	22646	Upper radiant heater, 230 VAC, 400 watt	-	1	-	B
48	22647	Upper radiant heater, 208 VAC, 400 watt	-	1	-	B
48	38954	Upper radiant heater, 230 VAC, 800 watt	-	-	1	B
48	38801	Upper radiant heater, 208 VAC, 800 watt	-	-	1	B
48	72187	Radiant heater, 230 VAC, 600 watt	1	-	-	B
49	22629	Heater support bracket	1	2	6	



For the most up-to-date parts information, visit
<https://parts.hennypennyhelp.com>.

Item No.	Part No.	Description	Qty. HCS / HCW-2	Qty. HCS / HCW-3/5	Qty. HCW-8	Stocking Level
50	SC01-023	Screw, 8 x 1/2 in	A/R	A/R	A/R	
51	22548	Bottom ceiling panel	-	1	-	
51	54273	Bottom ceiling panel	-	-	1	
51	72208	Bottom ceiling panel	1	-	-	
52	23517	Lamp socket mounting plate	4	8	16	
53	22679	Glass with silicone	4	12	20	
54	23515	Lamp socket mounting plate	2	4	4	
55	28294	Light socket	-	12	20	
55	54041	Light socket, CE	4	12	20	
56	22546	Light box side plate	-	2	-	
56	38669	Light box side plate	-	-	2	
56	72207	Light box side plate	1	-	-	
57	BL01-004	Light bulb, 120 VAC, 60 watt	-	12	20	
57	BL01-005	Light bulb, 240 VAC, 60 watt, CE	4	12	20	
58	14630	Stainless steel float switch	1	1	1	
59	22617	Cleaning instructions plate (OBSOLETE)	1	1	1	



For the most up-to-date parts information, visit
<https://parts.hennypennyhelp.com>.

Item No.	Part No.	Description	Qty. HCS / HCW-2	Qty. HCS / HCW-3/5	Qty. HCW-8	Stocking Level
60	NS03-033	Wing nut, 10-24	4	4	5	
61	22734	Viewing panel	-	2	-	
61	41558	Viewing panel	-	-	2	
61	41559	Viewing panel	-	-	4	
61	72186	Viewing panel	2	-	-	
62	22795	Label, Use Max. 60 Watt	1	1	1	
63	22678	Water pan grid	-	2	3	
63	72185	Water pan grid	1	-	-	
64	22551	Water pan base (before 5/87)	-	1	-	
64	69708	Water pan base, CE (IR023JB and after)	-	1	-	
64	14382	Water pan kit (5/87 and after) (IR022JB and below for CE)	-	1	-	
64	54267	Water pan base (IR023JB & above)	-	-	1	
64	69700	Water pan base, CE (IR023JB & above)	-	-	1	
64	14383	Water pan kit (AR009IH to IR022JB)	-	-	1	
64	71892	Water pan base	1	-	-	



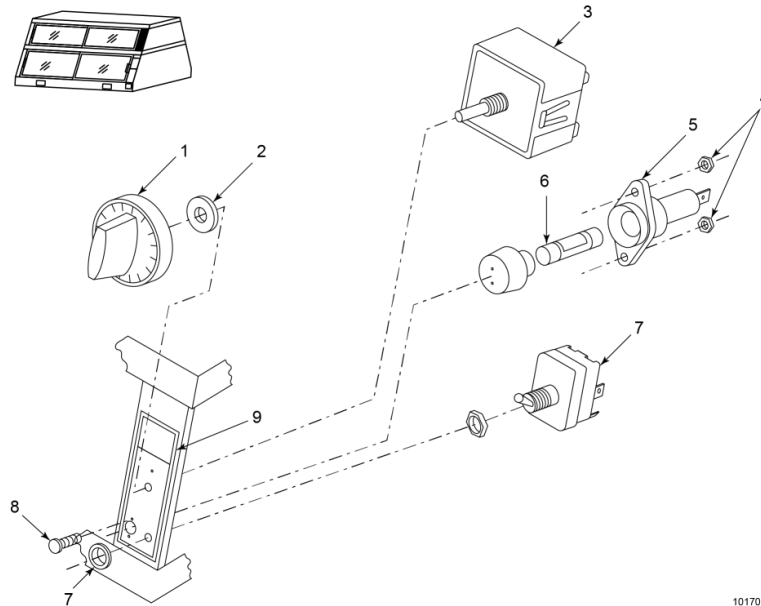
For the most up-to-date parts information, visit
<https://parts.hennypennyhelp.com>.

Item No.	Part No.	Description	Qty. HCS / HCW-2	Qty. HCS / HCW-3/5	Qty. HCW-8	Stocking Level
65	22590	Wire cover	-	1	-	
65	38699	Wire cover	-	-	1	
65	72214	Wire cover	1	-	-	
66	22618	Operating instructions plate (OBSOLETE)	1	1	1	
67	54263	Bottom pan support	-	-	1	
67	72188	Bottom pan support	1	-	-	
68	41556	Viewing panel bracket assembly, right	1	2	2	
69	NS03-017	U-type clip nut, 8 (before IR022JB)	-	A/R	A/R	
70	22589	Access plate	2	2	4	
71*	14089	Sliding glass door conversion kit	A/R	A/R	A/R	
Recommended Parts: A = Truck Stock; B = Dist. Stock A/R = As Required						



For the most up-to-date parts information, visit
<https://parts.hennypennyhelp.com>.

Upper Controls and Indicators



10170167

Item No.	Part No.	Description	Qty. HCS / HCW-2	Qty. HCS / HCW-3/5	Qty. HCW-8	Stocking Level
1	22046	Infinite switch knob	1	2	2	
2	EF02-176	Infinite switch nut	1	2	2	
3	23560	Infinite regulator	1	2	2	A
4	NS02-005	Hex keps nut, 6-32	-	4	4	
5	EF02-125	Push button reset breaker (JA0705006 and after)	-	2	2	A
5	EF02-006	Fuse holder (before JA0705005)	-	2	2	A



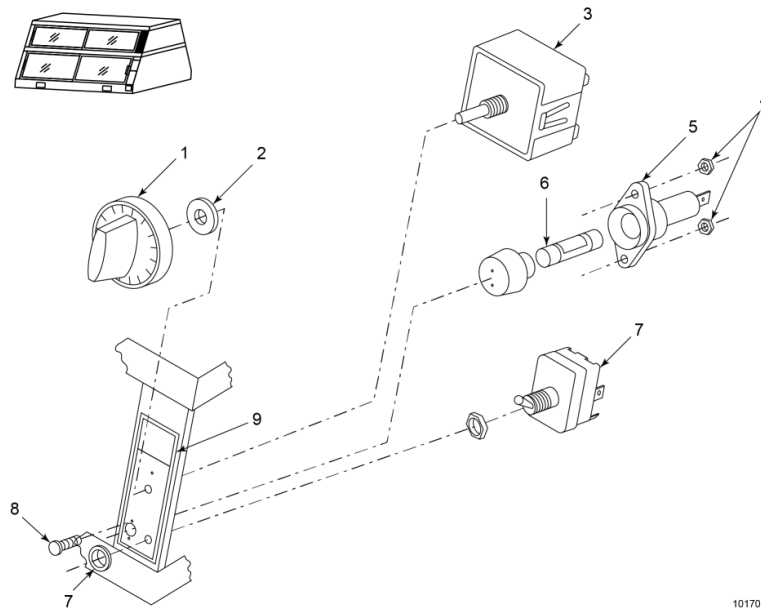
For the most up-to-date parts information, visit
<https://parts.hennypennyhelp.com>.

Item No.	Part No.	Description	Qty. HCS / HCW-2	Qty. HCS / HCW-3/5	Qty. HCW-8	Stocking Level
6	EF02-007	Fuse, 15 AMP (before JA0705005)	-	2	2	B
7	22198	Power switch, upper	1	2	2	A
7	176656	Power switch, CE	-	1	1	
8	SC01-113	Screw, 6-32 x 1/2 in	-	4	4	
9	22813	Top control panel decal	-	1	1	
9	61524	Top control panel decal, Pollo Campero(DISCONTINUED)	-	1	1	
<p>* = Not Shown Recommended Parts: A = Truck Stock; B = Dist. Stock A/R = As Required</p>						



For the most up-to-date parts information, visit
<https://parts.hennypennyhelp.com>.

Lower Controls and Indicators



10170167

Item No.	Part No.	Description	Qty. HCS / HCW-2	Qty. HCS / HCW-3/5	Qty. HCW-8	Stocking Level
1	22046	Infinite switch knob	1	2	2	
2	EF02-176	Infinite switch nut	1	2	2	
3	23560	Infinite regulator	1	2	2	A
4	NS02-005	Hex keps nut, 6-32	-	4	4	
5	EF02-125	Push button reset breaker (JA0705006 and after)	-	2	2	A
5	EF02-006	Fuse holder (before JA0705005)	-	2	2	A



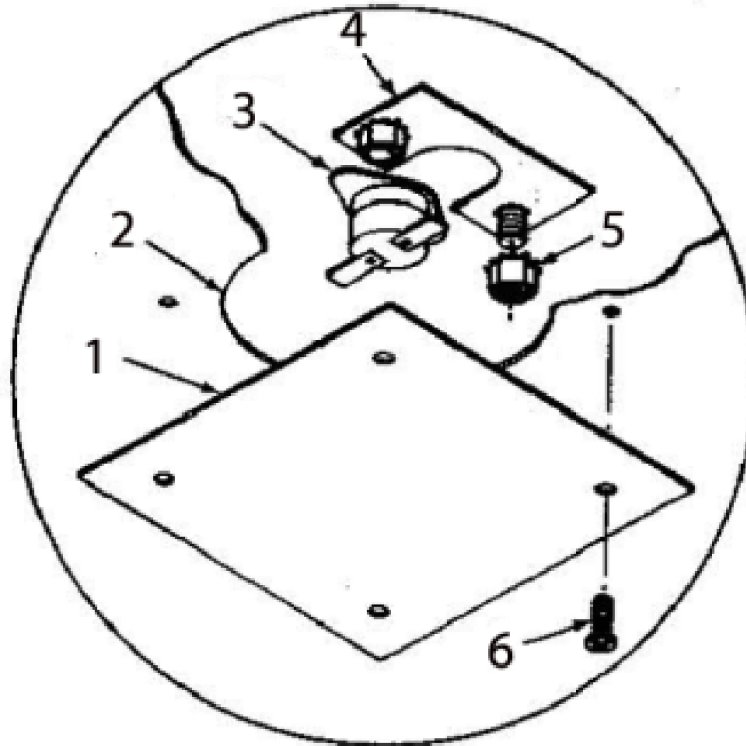
For the most up-to-date parts information, visit
<https://parts.hennypennyhelp.com>.

Item No.	Part No.	Description	Qty. HCS / HCW-2	Qty. HCS / HCW-3/5	Qty. HCW-8	Stocking Level
6	EF02-007	Fuse, 15 AMP (before JA0705005)	-	2	2	B
7	22604	Power switch, lower	1	1	1	A
8	SC01-113	Screw, 6-32 x 1/2 in	-	4	4	
9	74977	Bottom control panel decal	-	1	1	
10*	70046	Water control switch	-	1	1	A
11*	44030	Water control decal	-	1	1	
12*	14250	Thermometer kit	1	2	2	
<p>* = Not Shown Recommended Parts: A = Truck Stock; B = Dist. Stock A/R = As Required</p>						



For the most up-to-date parts information, visit
<https://parts.hennypennyhelp.com>.

High Limit



Item No.	Part No.	Description	Qty. HCS / HCW-2	Qty. HCS / HCW-3/5	Qty. HCW-8	Stocking Level
1	22509	Access plate	1	1	1	
2	22526	Bottom pan	-	1	-	
2	38707	Bottom pan	-	-	1	
2	72191	Bottom pan	1	-	-	
3	22601	High limit	1	1	1	
4	22514	High limit clamp bracket	1	1	1	



For the most up-to-date parts information, visit
<https://parts.hennypennyhelp.com>.

Item No.	Part No.	Description	Qty. HCS / HCW-2	Qty. HCS / HCW-3/5	Qty. HCW-8	Stocking Level
5	NS02-002	Hex kep nut, 1/4-20	A/R	A/R	A/R	
6	SC02-023	Screw, 8 x 3/8 in	A/R	A/R	A/R	

* = Not Shown

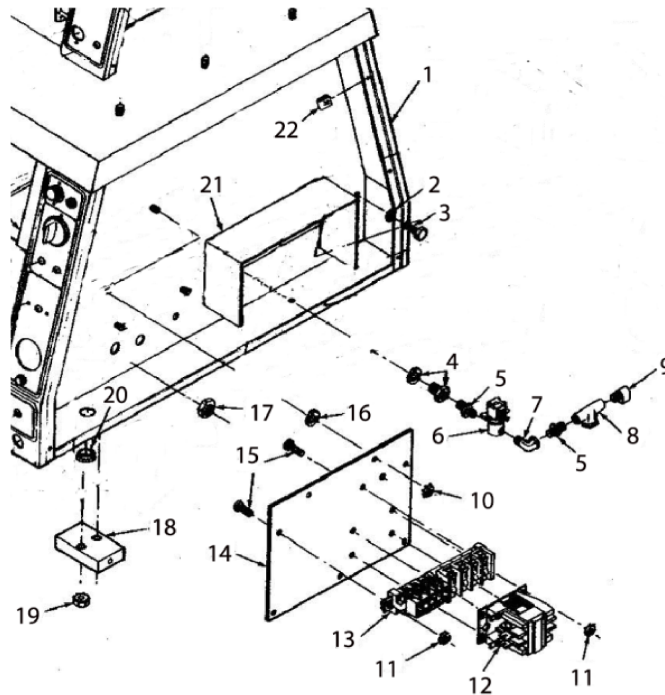
Recommended Parts: A = Truck Stock; B = Dist. Stock

A/R = As Required



For the most up-to-date parts information, visit <https://parts.hennypennyhelp.com>.

Right Panel Removed Lower



Item No.	Part No.	Description	Qty. HCS / HCW-2	Qty. HCS / HCW-3/5	Qty. HCW-8	Stocking Level
1	22886	Bottom end channel, 3-1/2 in (IR023JB and after)	1	1	1	
1	14402	End channel kit (before IR022JB)	-	1	1	
2	LW02-004	Lockwasher, 1/4 in	A/R	A/R	A/R	
3	SC01-068	Screw, 1/4-20 x 3/4 in	8	8	8	



For the most up-to-date parts information, visit
<https://parts.hennypennyhelp.com>.

Item No.	Part No.	Description	Qty. HCS / HCW-2	Qty. HCS / HCW-3/5	Qty. HCW-8	Stocking Level
4	FP01-013	Bulkhead adaptor	1	1	1	
5	FP01-012	Reducing nipple	2	2	2	
6	14965	Water valve kit, 120 VAC	1	1	1	A
6	14966	Water valve kit, 240 VAC, Non-CE, CE	1	1	1	A
6	14967	Water valve kit, 208 VAC	1	1	1	A
6	32646	Water valve, UK,WRAS ¹	1	1	1	A
6	49461	Solenoid valve, CE	-	1	1	
7	FP01-014	Elbow, brass, 1/8 in	1	1	1	
8	83514	Water strainer	1	1	1	
9	FP05-005	Elbow, 1/4 in NPT ² to 1/4 in NPT ³	1	1	1	
10	NS02-002	Hex kep nut, 1/4-20	A/R	A/R	A/R	
11	NS02-001	Hex keps nut, 10-32	A/R	A/R	A/R	

¹Water Regulation Advisory Scheme

²National Pipe Tapered

³National Pipe Tapered



For the most up-to-date parts information, visit
<https://parts.hennypennyhelp.com>.

Item No.	Part No.	Description	Qty. HCS / HCW-2	Qty. HCS / HCW-3/5	Qty. HCW-8	Stocking Level
12	19405	Contactora	1	1	1	
13	22607	Terminal block assembly	-	1	1	
13	53738	HCW terminal block assembly, Australia	1	-	-	
13	73525	HCS terminal block assembly, Australia	1	-	-	
14	66670	Electric component plate	1	1	1	
15	SC01-002	Truss screw, 10-32 x 1/2 in	2	2	2	
16	WA01-002	Electric component plate washer	5	5	5	
17	32645	Float switch, UK, WRAS¹	1	1	1	A
18	22588	Thermometer mounting block	1	1	1	
19	NS02-006	Hex keps nut, 10-24	A/R	A/R	A/R	
20	PL01-006	Plug, diameter 1-1/8 in	3	3	3	
21	22667	Splash guard	1	1	1	

¹Water Regulation Advisory Scheme



For the most up-to-date parts information, visit
<https://parts.hennypennyhelp.com>.

Item No.	Part No.	Description	Qty. HCS / HCW-2	Qty. HCS / HCW-3/5	Qty. HCW-8	Stocking Level
22	NS03-017	U-type clip nut, 8 (before IR022JB)	-	A/R	A/R	

* = Not Shown

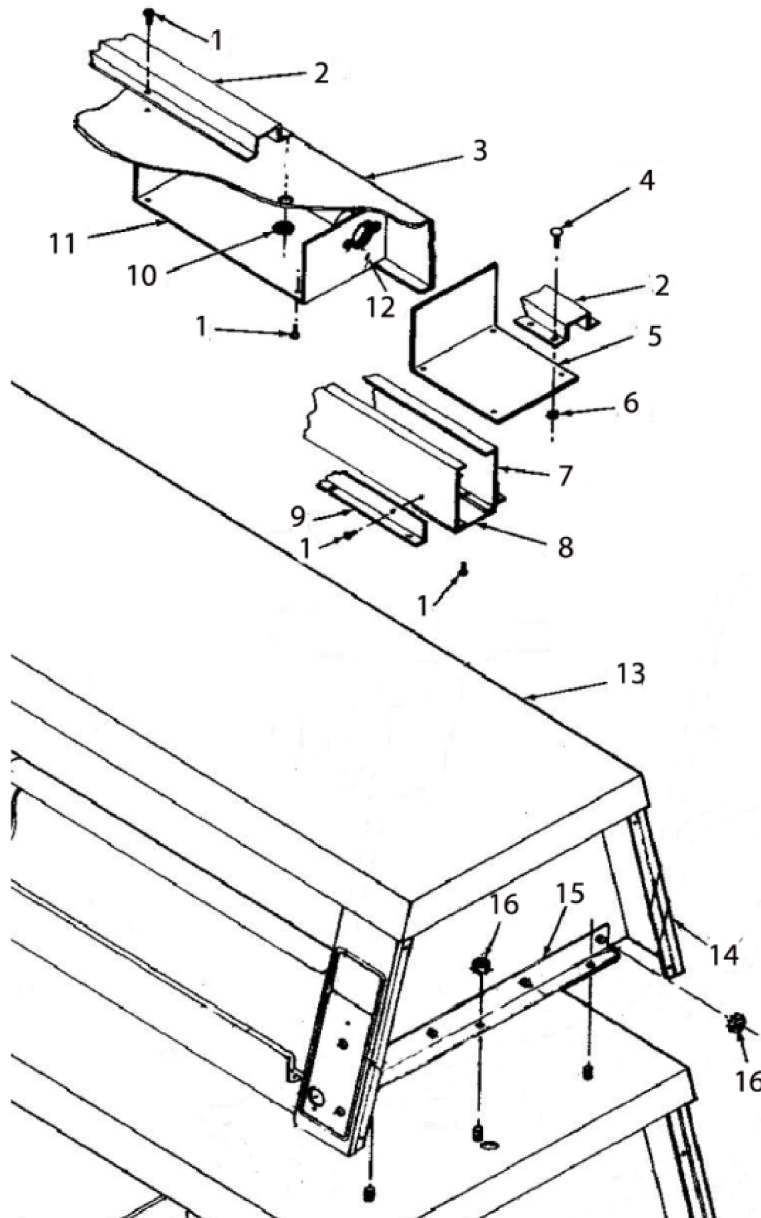
Recommended Parts: A = Truck Stock; B = Dist. Stock

A/R = As Required



For the most up-to-date parts information, visit
<https://parts.hennypennyhelp.com>.

Right Panel Removed Upper





For the most up-to-date parts information, visit
<https://parts.hennypennyhelp.com>.

Item No.	Part No.	Description	Qty. HCS / HCW-2	Qty. HCS / HCW-3/5	Qty. HCW-8	Stocking Level
1	SC02-023	Screw, 8 x 3/8 in	A/R	A/R	A/R	
2	22544	Hat section	-	4	-	
2	38727	Hat section	-	-	4	
2	72206	Hat section	1	-	-	
3	22547	Top ceiling panel	-	1	-	
3	54275	Top ceiling panel	-	-	1	
4	SC01-015	Carriage screw, 10-24 x 1/2 in.	A/R	A/R	A/R	
5	22539	Cover plate	4	4	4	
6	NS02-006	Hex keps nut, 10-24	A/R	A/R	A/R	
7	22549	Upper heater housing	-	1	-	
7	38940	Upper heater housing	-	-	1	
8	22578	Heater deflector	-	1	-	
8	39935	Heater deflector	-	-	1	
8	72204	Heater deflector	1	-	-	
9	22543	Glass support	-	2	-	
9	38721	Glass support	-	-	2	
10	?	?				



For the most up-to-date parts information, visit
<https://parts.hennypennyhelp.com>.

Item No.	Part No.	Description	Qty. HCS / HCW-2	Qty. HCS / HCW-3/5	Qty. HCW-8	Stocking Level
11	23517	Lamp socket mounting plate	4	8	16	
12	28294	Light socket	-	12	20	
12	54041	Light socket, CE	4	12	20	
13	22615	Top cap assembly	-	1	-	
13	38972	Top cap assembly	-	-	1	
13	72837	Top cap assembly	1	-	-	
14	22892	Top end channel assembly, 3 1/2 in (IR023JB and after)	-	1	1	
14	14413	End channel kit (before IR022JB)	-	1	1	
15	22508	Upper channel mount angle	-	2	2	
16	NS02-001	Hex keps nut, 10-32	A/R	A/R	A/R	

* = Not Shown

Recommended Parts: A = Truck Stock; B = Dist. Stock

A/R = As Required



For the most up-to-date parts information, visit
<https://parts.hennypennyhelp.com>.

Relays and Kits

Item No.	Part No.	Description	Qty. HCS / HCW-2	Qty. HCS / HCW-3/5	Qty. HCW-8	Stocking Level
119	34528	Relay, 120 VAC	-	1	1	*
119	30723	Relay, 240 VAC	1	1	1	*
119	14772	Relay replacement kit, 12 volt	-	1	1	*
119	- 71933	- Relay, 12 volt	-	1	1	*
120	51068	EMC filter, CE & Australia	1	1	1	*
121	48369	Switch cover, CE	2	4	4	*
122	14751	Valve retrofit kit, UK, WRAS¹	1	1	1	*
122	- 65134	- Complete backflow preventer assembly, UK	1	1	1	*
123	-- 32645	-- Float switch, UK, WRAS²	1	1	1	*
124	-- 32646	-- Water solenoid valve, UK, WRAS³	1	1	1	*
125	-- 25299	-- Float switch spacer	2	2	2	*
126	-- 65105	-- Reservoir assembly	1	1	1	*
122	14468	Water reservoir retrofit kit, CE	-	1	1	*

¹Water Regulation Advisory Scheme

²Water Regulation Advisory Scheme

³Water Regulation Advisory Scheme



For the most up-to-date parts information, visit
<https://parts.hennypennyhelp.com>.

Item No.	Part No.	Description	Qty. HCS / HCW-2	Qty. HCS / HCW-3/5	Qty. HCW-8	Stocking Level
122	- 65175	- Complete backflow preventer assembly, CE	-	1	-	*
123	-- 28856	-- Float switch, CE	-	1	-	*
124	-- 14966	-- Water valve kit, 240 VAC, Non-CE, CE	1	1	1	*A
125	-- 25299	-- Float switch spacer	-	2	-	*
126	-- 65105	-- Reservoir assembly	-	1	1	*
127	14628	Glass edge guard kit	-	1	-	*
128	65469	- Glass edge guard	-	2	-	*
129	14629	Glass edge guard kit	-	1	1	*
130	65506	- Glass edge guard - long	-	-	4	*
131	65507	- Glass edge guard - short	-	-	2	*
132	14627	Insulation end channel kit	-	1	1	*
133	67816	- Side insulation, end, 4.5 x 24 x 1 in	-	1	1	*
134	67827	- Side insulation, end, 2.5 x 24 x 1 in	-	1	1	*
135	70410	Flexible power cord conduit, 1/2 x 72 in, Canada	-	1	-	*



For the most up-to-date parts information, visit
<https://parts.hennypennyhelp.com>.

Item No.	Part No.	Description	Qty. HCS / HCW-2	Qty. HCS / HCW-3/5	Qty. HCW-8	Stocking Level
136	54193	Upper brace w/ rack support	-	-	2	*
137	54197	Upper brace	-	-	2	*
138	38774	Door assembly, middle / top, 30 in	-	-	2	*B
139	38742	- Door, middle / top, 30 in	-	-	2	*
140	38773	- Extrusion, middle / top, 30 in	-	-	2	*
141	38926	Door pin	-	-	8	*
142	38743	Door assembly, end / top, 30 in	-	-	4	*B
143	38737	Door extrusion, end / top, 30 in	-	-	4	*
144	38742	Door, end / top, 30 in	-	-	4	*
145	38745	Door assembly, end / bottom, 36 in	-	-	4	*B
146	38740	Door, end / bottom, 36 in	-	-	4	*
147	38739	Extrusion, end / bottom, 36 in	-	-	4	*
148	54195	Lower brace	-	-	4	*
149	38744	Door assembly, middle / bottom, 18 3/8 in	-	-	2	*B
150	38741	Door, middle / bottom, 18 3/8 in	-	-	2	*
151	38738	Extrusion, middle / bottom, 18 3/8 in	-	-	2	*



For the most up-to-date parts information, visit
<https://parts.hennypennyhelp.com>.

Item No.	Part No.	Description	Qty. HCS / HCW-2	Qty. HCS / HCW-3/5	Qty. HCW-8	Stocking Level
152	38705	Top insulation	-	-	1	*
153	38702	Bottom insulation	-	-	1	*
154	NS02-006	Keps nut, 10-24	-	-	A/R	*
155	NS03-023	Door stop acorn nut, 1/4-20	-	-	16	*
156	WA01-013	Door stop washer, 1/4 in	-	-	16	*
157	65174	Solenoid assembly, CE				*
163	53738	Terminal block assembly				*
164	22607					*
165	80573	Terminal block, 220-240 VAC, 3 phase				*
166	73525	Terminal block assembly, 8 mm x10				*
167	41595	Card label				*
175	51362	Ceiling panel top, 230 VAC, CE				*
176	22506	Insulation, 24 x 51 x 1 in				*
177	14057	Door replacement kit	1	1	-	*
178	14093	Slide to flip-up doors kit	-	1	-	*
179	14085	Panel viewing replacement kit	1	1	-	*



For the most up-to-date parts information, visit
<https://parts.hennypennyhelp.com>.

Item No.	Part No.	Description	Qty. HCS / HCW-2	Qty. HCS / HCW-3/5	Qty. HCW-8	Stocking Level
180	51182	Top ceiling panel				*
181	54267	Water pan assembly				*
182	22815	Water control decal, KFC				*
183	22814	Bottom control panel decal, KFC				*
184	17627	Grounding lug				*
185	22813	Top control panel decal, KFC				*
186	14120	Component relay and bracket assembly kit				*
187	90961	flexible conduit, 1/2 in				*
188	05018	Aluminum bun pan, full perforated				*
189	19713	Junction box label				*
190	22499	Under top spacer				*
191	22512	Thermal bulb mounting clip				*
192	22513	Seal				*
193	22547FL	Ceiling panel top				*
194	22592	Insulation, 8 x 55 x 1 in				*
195	22671	Float switch guard				*
196	22683	Glass and packing assembly (6 per carton)				*
197	22733	Reflector heater bracket				*



For the most up-to-date parts information, visit
<https://parts.hennypennyhelp.com>.

Item No.	Part No.	Description	Qty. HCS / HCW-2	Qty. HCS / HCW-3/5	Qty. HCW-8	Stocking Level
198	22735	Seal support				*
199	22945	Pan brace, right				*
200	22946	Pan brace, left				*
201	40760	2 pole jumper, 8 mm				*
202	48583	Equipotential ground label				*
203	51067	EMC board harness, CE				*
204	51530	Coil contactor, 208-240 VAC				*
205	59718	Binding head screw				*
206	61517	Service call label				*
207	72704	Shock hazard label				*
208	72705-2	Warning hot surfaces label				*
209	73833	60 watt bulb symbol label				*
210	74979	Bottom control NF / CB Decal				*
211	74982	Top control NF / CB Decal				*
212	14892	X-channel end 3.5 kit				*
213	14893	X-channel end top 3.5 kit				*

Recommended Parts: A = Truck Stock; B = Dist. Stock
*** = Not Shown**
A/R = As Required