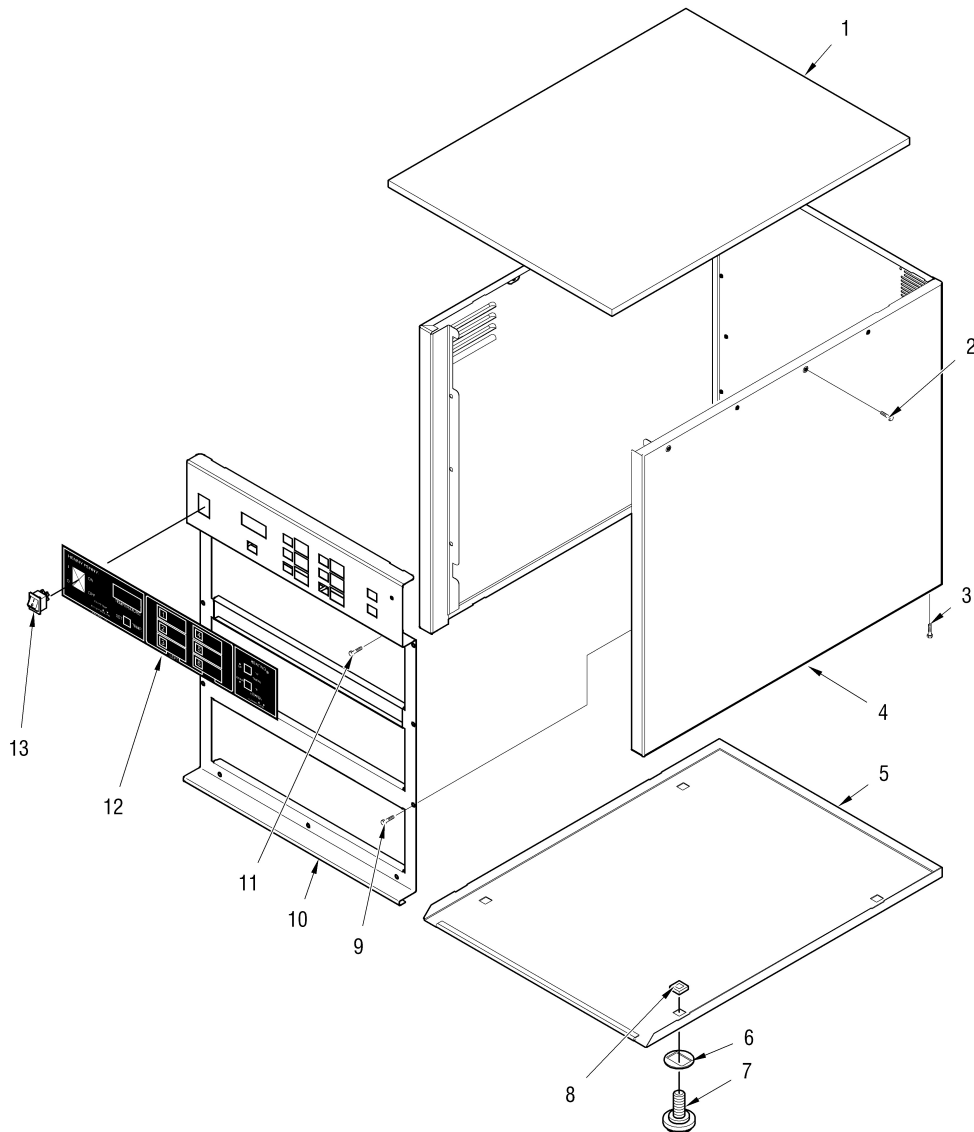




For the most up-to-date parts information, visit  
<https://parts.hennypennyhelp.com>.

## Exterior Panels





For the most up-to-date parts information, visit  
<https://parts.hennypennyhelp.com>.

Item No.	Part No.	Description	Qty.		Stocking Level
			932	930	
1	<a href="#">31927</a>	Cabinet top	1	1	
2	<a href="#">SC02-041</a>	Screw	4	4	
3	<a href="#">SC02-041</a>	Screw	6	6	
4	63805	Cabinet enclosure, 240 VAC, 930, (934- SN: EA0505003 & below)	-	1	
4	69989	Cabinet enclosure, 240 VAC, 930 (SN: EA0505004 & above)	-	1	
4	<a href="#">53821</a>	Cabinet enclosure, CE, 930 (934 - SN: EA0505003 & below)	-	1	
4	69990	Cabinet enclosure, CE, 930(934 - SN: EA0505004 & above)	-	1	
4	53843	Cabinet enclosure, 120 VAC, 930, 934, Dairy Queen	-	1	
4	53954	Cabinet enclosure, 930Q (SN: EA0505003 & below)	-	1	
4	69993	Cabinet enclosure, 930Q (SN: EA0505004 & above)	-	1	
4	63804	Cabinet enclosure, 932 (SN: EA0505003 & below)	1	-	
4	69969	Cabinet enclosure, 932 (SN: EA0505004 & above)	1	-	
4	53961	Cabinet enclosure, CE, 932 (SN: EA0505003 & below)	1	-	



For the most up-to-date parts information, visit  
<https://parts.hennypennyhelp.com>.

Item No.	Part No.	Description	Qty.		Stocking Level
			932	930	
4	69967	Cabinet enclosure, CE, 932 (SN: EA0505004 & above)	1	-	
4	54056	Cabinet enclosure, 240 VAC, 932, Dairy Queen, McDonalds	1	-	
5	41773	Base assembly	1	1	
6	<a href="#">15022</a>	Spacer	4	4	
7	<a href="#">26411</a>	Leveler foot	4	4	
8	<a href="#">NS03-013</a>	Cage nut	4	4	
9	<a href="#">SC02-016</a>	Screw	5	7	
10	<a href="#">37174</a>	Face plate panel	-	1	
10	63854	Face plate panel, CE	-	1	
10	31576	Face plate panel, McDonalds	-	1	
10	58188	Face plate panel, KFC	-	1	
10	44671	Face plate panel, E/M, 932	1	-	
10	63855	Face plate panel, E/M, CE, 932	1	-	
10	41765	Face plate panel, CDT, 932	1	-	
10	63852	Face plate panel, CDT, CE, 932	1	-	
10	44670	Face plate panel, E/M, 930	-	1	
10	63856	Face plate panel, E/M, CE, 930	-	1	
10	44712	Face plate panel, 932 , Dairy Queen	1	-	
11	<a href="#">SC03-004</a>	Screw	3	3	



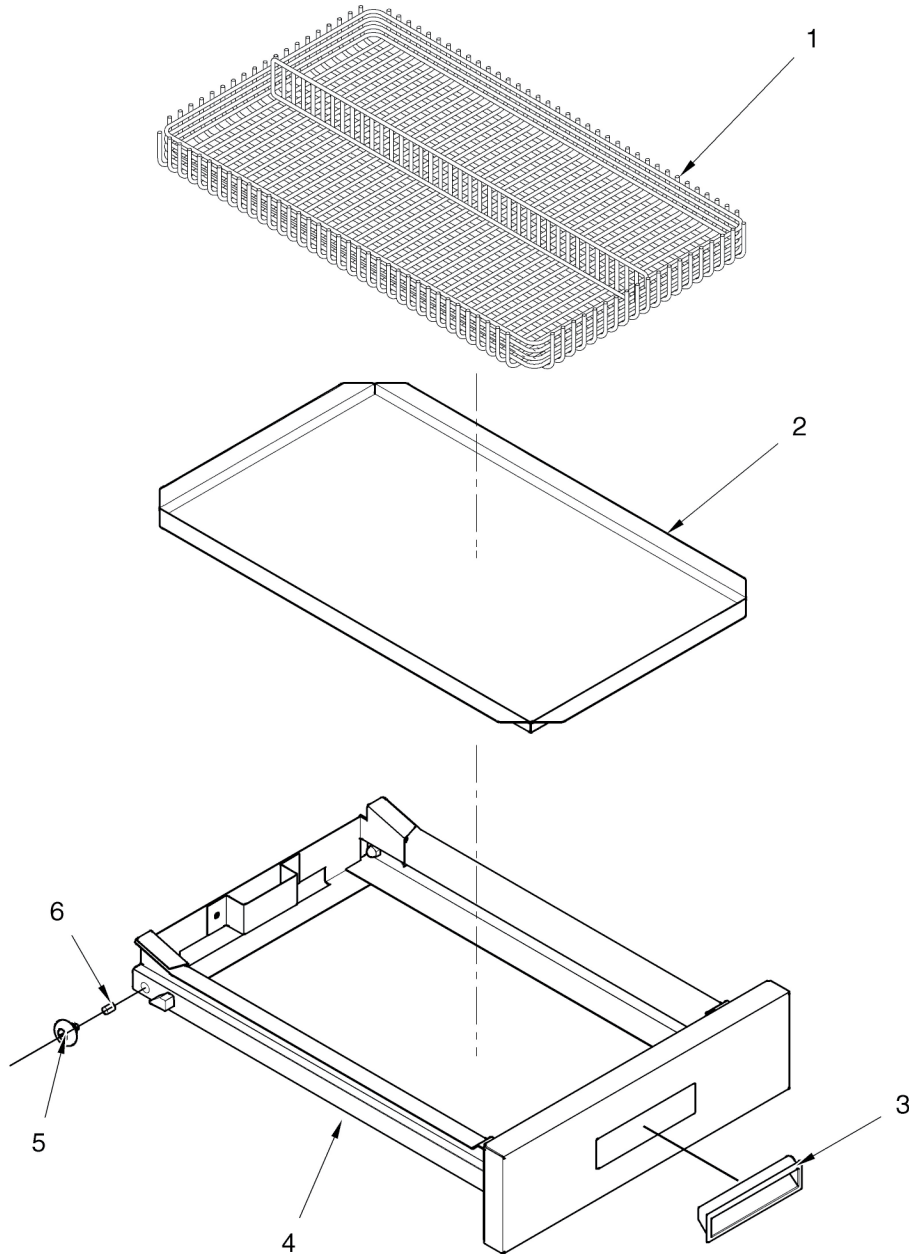
For the most up-to-date parts information, visit  
<https://parts.hennypennyhelp.com>.

Item No.	Part No.	Description	Qty.		Stocking Level
			932	930	
12	<a href="#">61747</a>	Control decal, CDT, 930	-	1	
12	61728	Control decal, CDT, 932	1	-	
12	41695	Control decal, McDonalds, 932	1	-	
12	<a href="#">37377</a>	Control decal, McDonalds, 934	-	1	
12	61001	Control decal, KFC	-	1	
12	<a href="#">61727</a>	Control decal, E/M, 930	-	1	
12	61729	Control decal, E/M, 932	1	-	
12	<a href="#">48633</a>	Control decal, Dairy Queen, 930	-	1	
12	48632	Control decal, Dairy Queen, 932	1	-	
12	<a href="#">48043</a>	Control decal, 930Q	-	1	
13	<a href="#">72277</a>	Power switch, DPST, splash proof	1	1	
13	<a href="#">52224</a>	Rocker switch, 125-250 VAC, CE	1	1	
14*	<a href="#">15063</a>	Power cord, 120 VAC	1	1	A
14*	70436	Power cord, CE	1	1	A
<b>Recommended Parts: A = Truck Stock; B = Dist. Stock</b> <b>* = Not Shown</b>					



For the most up-to-date parts information, visit  
<https://parts.hennypennyhelp.com>.

## Drawer Assembly





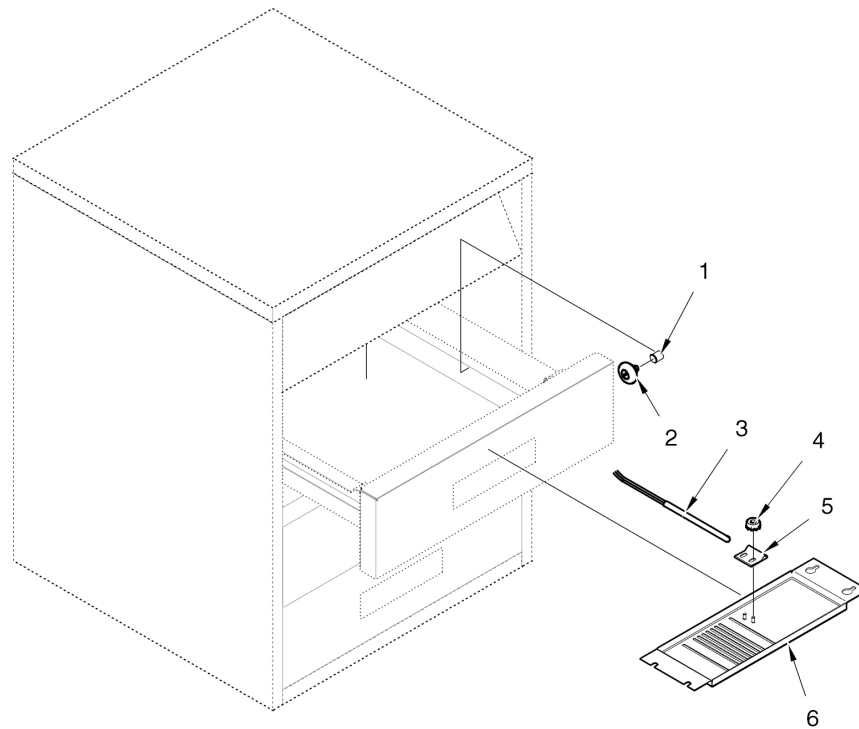
For the most up-to-date parts information, visit  
<https://parts.hennypennyhelp.com>.

Item No.	Part No.	Description	Qty.		Stocking Level
			932	930	
1	<a href="#">31504</a>	Wire basket w/divider	2	3	
2	<a href="#">31417</a>	Crumb trays	2	3	
3	<a href="#">41836</a>	Drawer handle	2	3	
4	<a href="#">44374</a>	Drawer assembly, complete	2	3	
4	<a href="#">44373</a>	Drawer frame weld assembly	2	3	
4	49525	Drawer assembly, complete quick	-	3	
4	<a href="#">49521</a>	Drawer frame weld assembly, quick	-	3	
5	<a href="#">31421</a>	Bearing w/screw	4	6	
6	<a href="#">31357</a>	Bearing spacer	4	6	
<b>Recommended Parts: A = Truck Stock; B = Dist. Stock</b> <b>* = Not Shown</b>					



For the most up-to-date parts information, visit  
<https://parts.hennypennyhelp.com>.

## Probe Assembly



Item No.	Part No.	Description	Qty.		Stocking Level
			932	930	
1	<a href="#">31357</a>	Bearing spacer	6	6	
2	<a href="#">31421</a>	Bearing w/screw	6	6	
3	<a href="#">29523</a>	Probe	1	1	A
4	<a href="#">NS02-005</a>	Nut	2	2	



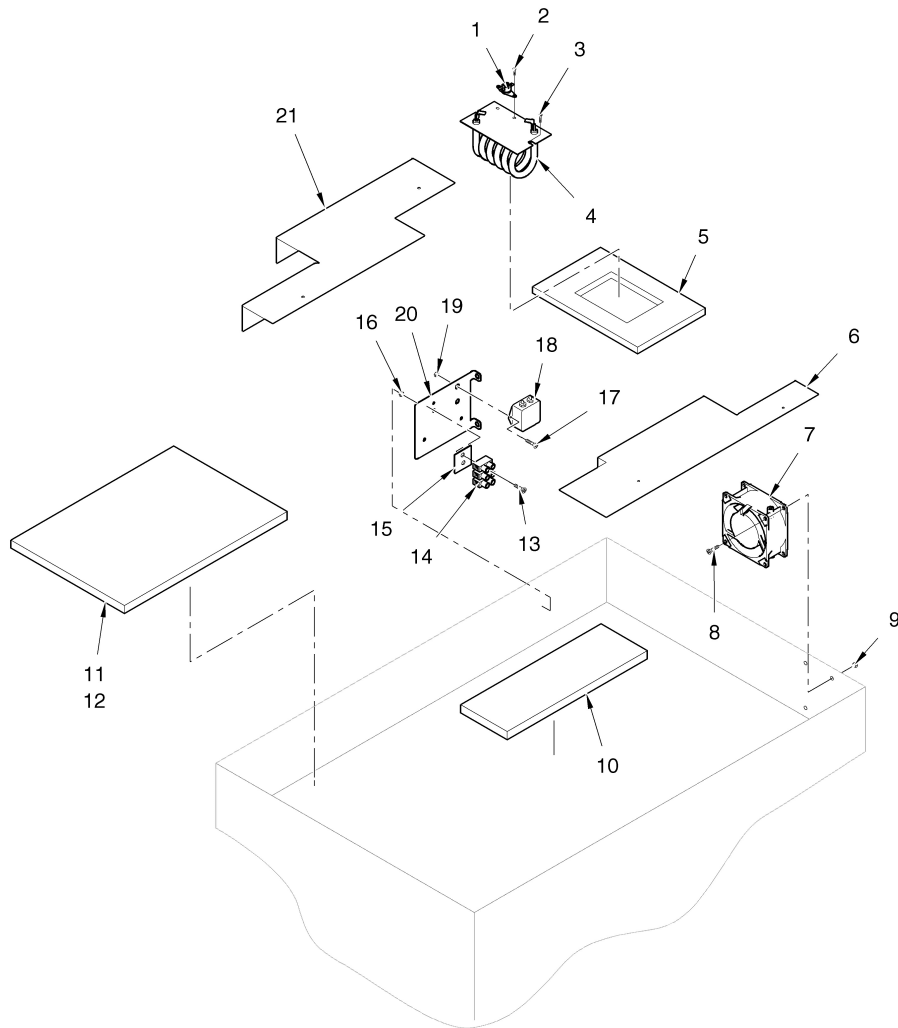
For the most up-to-date parts information, visit  
<https://parts.hennypennyhelp.com>.

Item No.	Part No.	Description	Qty.		Stocking Level
			932	930	
5	<a href="#">31483</a>	Probe bracket	1	1	
6	<a href="#">48107</a>	Probe cover	1	1	
<b>Recommended Parts: A = Truck Stock; B = Dist. Stock</b> <b>* = Not Shown</b>					



For the most up-to-date parts information, visit  
<https://parts.hennypennyhelp.com>.

## Heaters and Insulation





For the most up-to-date parts information, visit  
<https://parts.hennypennyhelp.com>.

Item No.	Part No.	Description	Qty.		Stocking Level
			932	930	
1	<a href="#">27071</a>	High limit, E/M	1	1	A
1	<a href="#">65132</a>	High limit, 415°F, CE	1	1	A
2	<a href="#">SC04-003</a>	Screw	2	2	
3	<a href="#">SC04-003</a>	Screw	2	2	
4	<a href="#">27661</a>	Heater, 120 VAC, 800W, domestic, CDT	1	1	A
4	<a href="#">27943</a>	Heater, 240 VAC, 800W, international, E/M, CDT	1	1	A
4	<a href="#">44529</a>	Heater, 120 VAC, 800W, domestic, E/M	1	1	A
4	<a href="#">44975</a>	Heater, 240 VAC, 1000W, 930Q	1	1	A
5	<a href="#">44966</a>	Insulation, top	1	1	
6	<a href="#">44971</a>	Insulation retainer, right	1	1	
7	<a href="#">16684</a>	Cooling fan, 120 VAC	1	1	A
7	<a href="#">16688</a>	Cooling fan, 240 VAC	1	1	A
8	<a href="#">SC01-037</a>	Screw	4	4	
9	<a href="#">NS02-005</a>	Nut	4	4	
10	<a href="#">44969</a>	Insulation	1	1	
11	<a href="#">44968</a>	Insulation	2	2	
12	<a href="#">44965</a>	Insulation	1	1	
13	<a href="#">SC01-176</a>	Screw	2	2	
14	<a href="#">31563</a>	Terminal block assembly	1	1	



For the most up-to-date parts information, visit  
<https://parts.hennypennyhelp.com>.

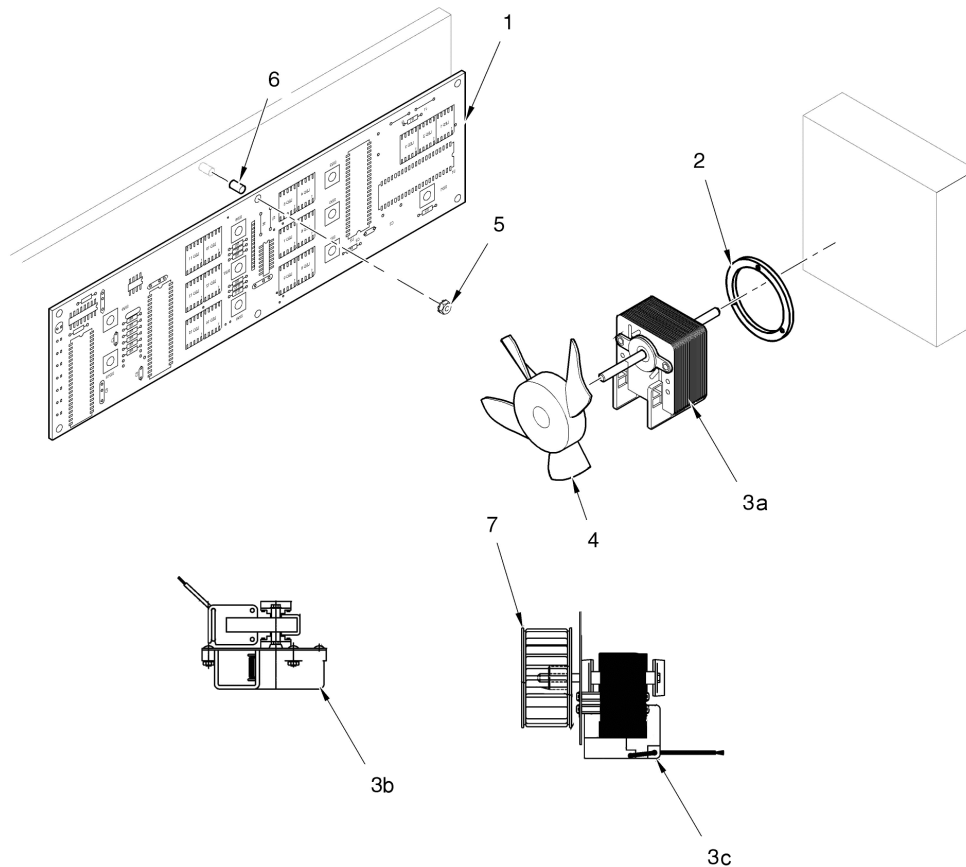
Item No.	Part No.	Description	Qty.		Stocking Level
			932	930	
14	<a href="#">ME50-021</a>	Terminal block assembly, CE	1	1	
15	44854	Insulator	1	1	
16	<a href="#">NS02-009</a>	Nut	2	2	
17	<a href="#">SC01-023</a>	Screw	2	2	
18	<a href="#">52080</a>	Power cord filter, CE	1	1	
19	<a href="#">NS02-005</a>	Nut	2	2	
20	40836	Terminal block and relay mounting bracket	1	1	
20	46811	Terminal and nutsert bracket assembly, CE	1	1	
21	<a href="#">44973</a>	Insulation retainer, left	1	1	
22*	<a href="#">31549</a>	Insulation, wrap-around	1	1	
23*	SC01-134	Screw	2	2	
24*	<a href="#">NS02-007</a>	Nut	2	2	

**Recommended Parts: A = Truck Stock; B = Dist. Stock**  
**\* = Not Shown**



For the most up-to-date parts information, visit  
<https://parts.hennypennyhelp.com>.

## PCB and Blower Motor Assembly



Item No.	Part No.	Description	Qty.		Stocking Level
			932	930	
1	<a href="#">37374</a>	PC board, 6 timer display, 930, CDT	-	1	A
1	<a href="#">41818</a>	PC board, 4 timer display, 932, CDT	1	-	A
2	<a href="#">25698</a>	Blower plate gasket	1	1	



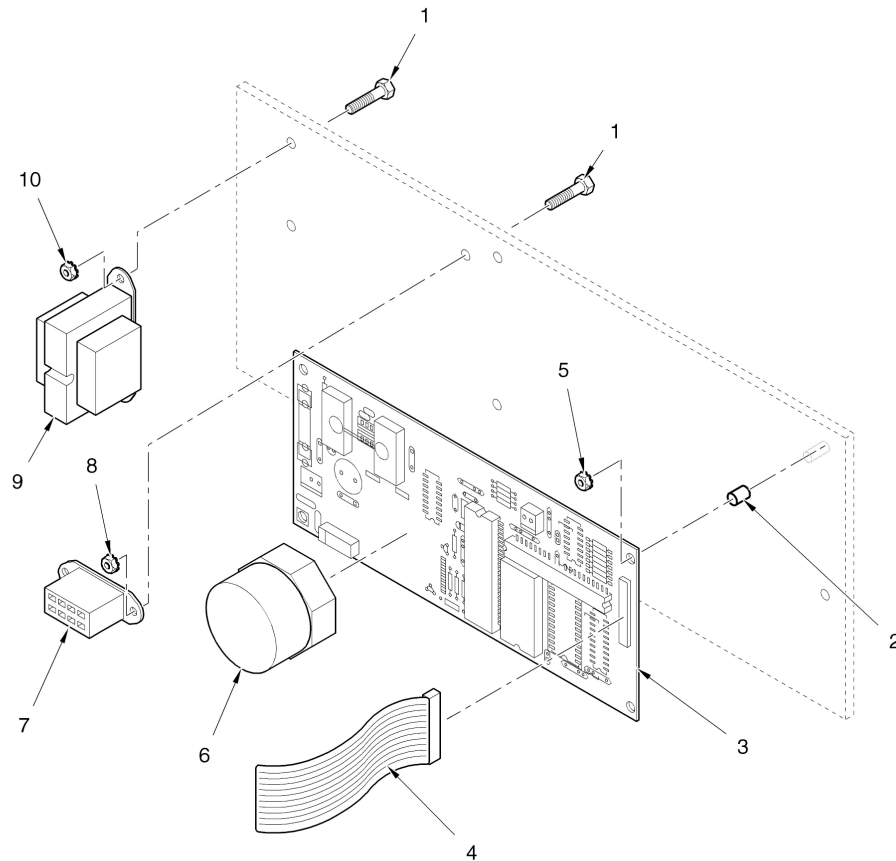
For the most up-to-date parts information, visit  
<https://parts.hennypennyhelp.com>.

Item No.	Part No.	Description	Qty.		Stocking Level
			932	930	
3a	<a href="#">25751</a>	Blower motor, 120 VAC	1	1	A
3a	<a href="#">25752</a>	Blower motor, 240 VAC	1	1	A
3b	<a href="#">25221</a>	Blower motor, 120 VAC	1	1	A
3b	<a href="#">25407</a>	Blower motor, 240 VAC, 50 Hz	1	1	A
3c	<a href="#">31371</a>	Blower motor, 120 VAC	1	1	A
4	<a href="#">25706</a>	Fan blade	1	1	
5	<a href="#">NS02-005</a>	Nut	6	6	
6	31555	Spacer	6	6	
7	<a href="#">25621</a>	Blower wheel	1	1	
8*	<a href="#">25619</a>	Blower outlet gasket	1	1	
<b>Recommended Parts: A = Truck Stock; B = Dist. Stock</b> <b>* = Not Shown</b>					



For the most up-to-date parts information, visit  
<https://parts.hennypennyhelp.com>.

## Countdown Timer (CDT) Controls



Item No.	Part No.	Description	Qty.		Stocking Level
			932	930	
1	<a href="#">SC01-049</a>	Screw	4	4	
2	<a href="#">ME50-014</a>	Spacers	4	4	
3	<a href="#">70047</a>	Control PC board, 930, CDT	-	1	A
3	54855	Control PC board, KFC	1	1	A



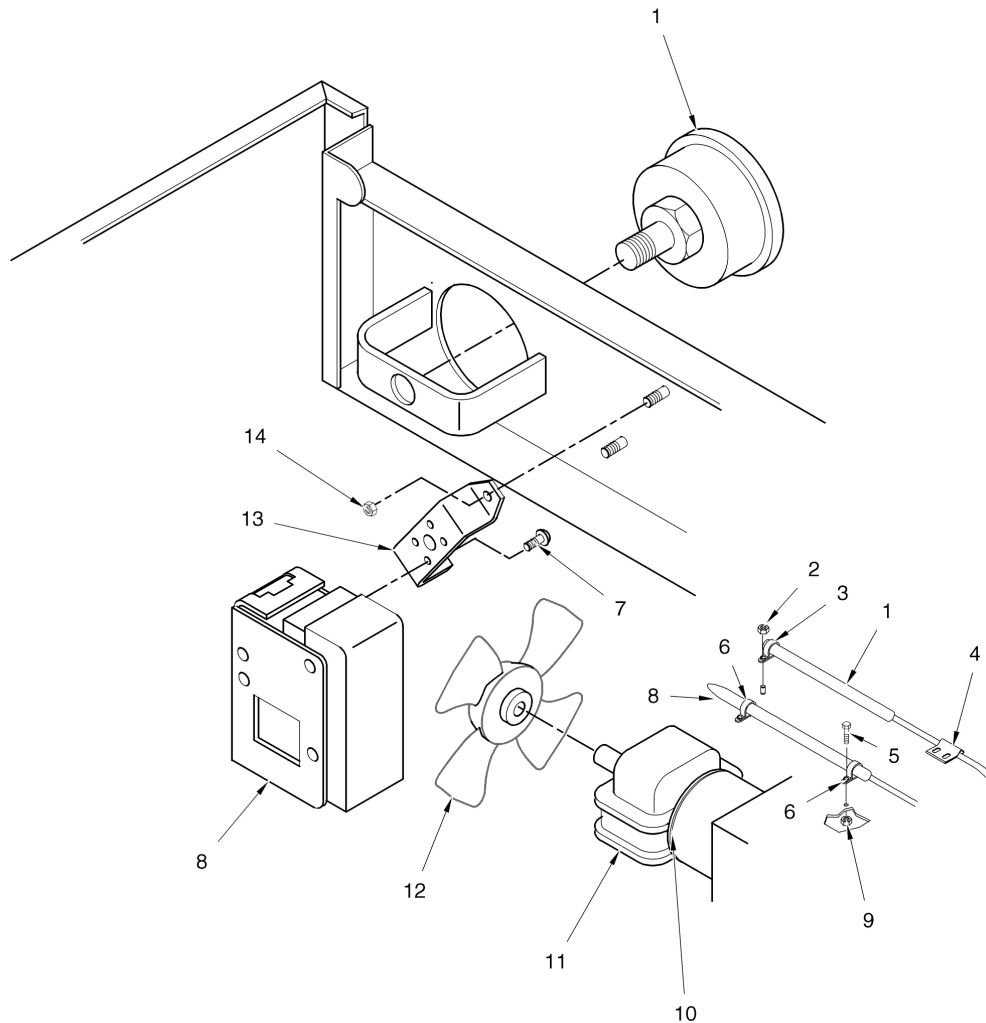
For the most up-to-date parts information, visit  
<https://parts.hennypennyhelp.com>.

Item No.	Part No.	Description	Qty.		Stocking Level
			932	930	
3	70048	Control PC board, 4 timer, McDonalds	1	1	A
3	<a href="#">70114</a>	Control PC board, 930Q	-	1	A
4	<a href="#">31737</a>	Control PC board cable assembly	1	1	
5	<a href="#">NS02-005</a>	Nut	4	4	
6	N/A	Replacement beeper	1	1	A
7	<a href="#">31369</a>	Relay, 240 VAC, 115	1	1	A
8	<a href="#">NS02-005</a>	Nut	2	2	
9	<a href="#">30978</a>	Transformer, 115 VAC	1	1	A
9	<a href="#">28979</a>	Transformer, 240 VAC	1	1	A
10	<a href="#">NS02-005</a>	Nut	2	2	
<b>Recommended Parts: A = Truck Stock; B = Dist. Stock</b> <b>* = Not Shown</b>					



For the most up-to-date parts information, visit  
<https://parts.hennypennyhelp.com>.

## Electromechanical Assembly



Item No.	Part No.	Description	Qty.		Stocking Level
			932	930	
1	<a href="#">14250</a>	Thermometer	1	1	A
2	<a href="#">NS02-006</a>	Nut	2	2	
3	<a href="#">EF02-035</a>	Thermometer bulb clamp	1	1	



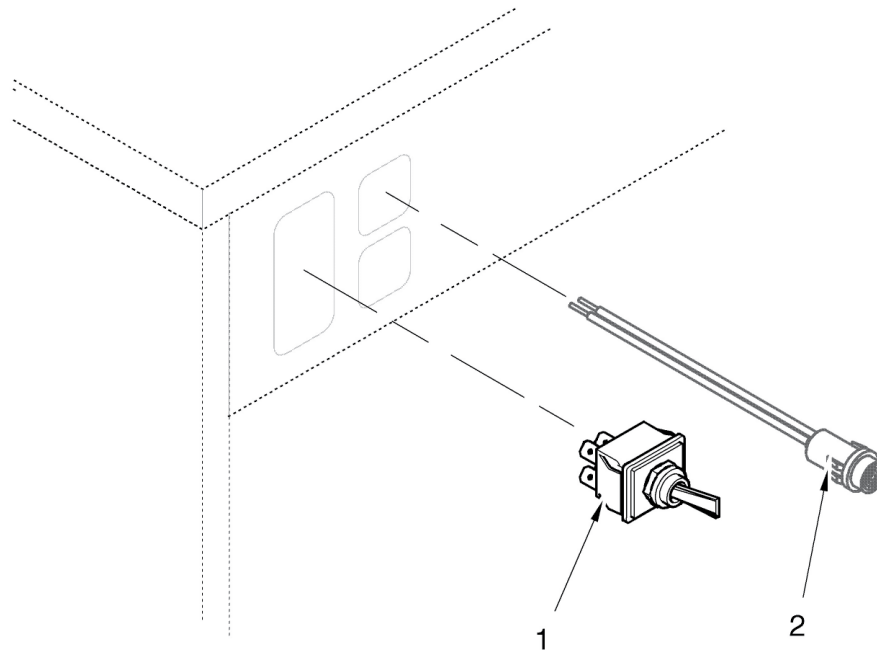
For the most up-to-date parts information, visit  
<https://parts.hennypennyhelp.com>.

Item No.	Part No.	Description	Qty.		Stocking Level
			932	930	
4	<a href="#">EF02-030</a>	Thermometer bulb clamp	1	1	
5	<a href="#">SC01-023</a>	Screw	2	2	
6	<a href="#">EF02-031</a>	Thermostat bulb clamp	2	2	
7	<a href="#">SC01-023</a>	Screw	2	2	
8	<a href="#">14209</a>	Thermostat with clips	1	1	A
9	<a href="#">NS02-006</a>	Nut	2	2	
10	<a href="#">25698</a>	Blower plate gasket	1	1	
11	<a href="#">25751</a>	Blower motor, 120 VAC	1	1	A
11	<a href="#">25752</a>	Blower motor, 240 VAC	1	1	A
12	<a href="#">25706</a>	Fan blade	1	1	
13	<a href="#">25903</a>	Thermostat bracket	1	1	
14	<a href="#">NS02-006</a>	Nut	2	2	
15*	<a href="#">44923</a>	Blower box end	1	1	
16*	<a href="#">SC01-034</a>	Screw	3	3	
17*	<a href="#">NS02-007</a>	Nut	2	2	
18*	<a href="#">25619</a>	Blower outlet gasket	1	1	
<b>Recommended Parts: A = Truck Stock; B = Dist. Stock</b> <b>* = Not Shown</b>					



For the most up-to-date parts information, visit  
<https://parts.hennypennyhelp.com>.

## Electromechanical Control Assembly



Item No.	Part No.	Description	Qty.		Stocking Level
			932	930	
1	<a href="#">49353</a>	Toggle switch	1	1	A
2	<a href="#">16624</a>	Indicator lights	2	2	A
2	<a href="#">54085</a>	Indicator light, green, CE	2	2	A
<b>Recommended Parts: A = Truck Stock; B = Dist. Stock</b> <b>* = Not Shown</b>					