

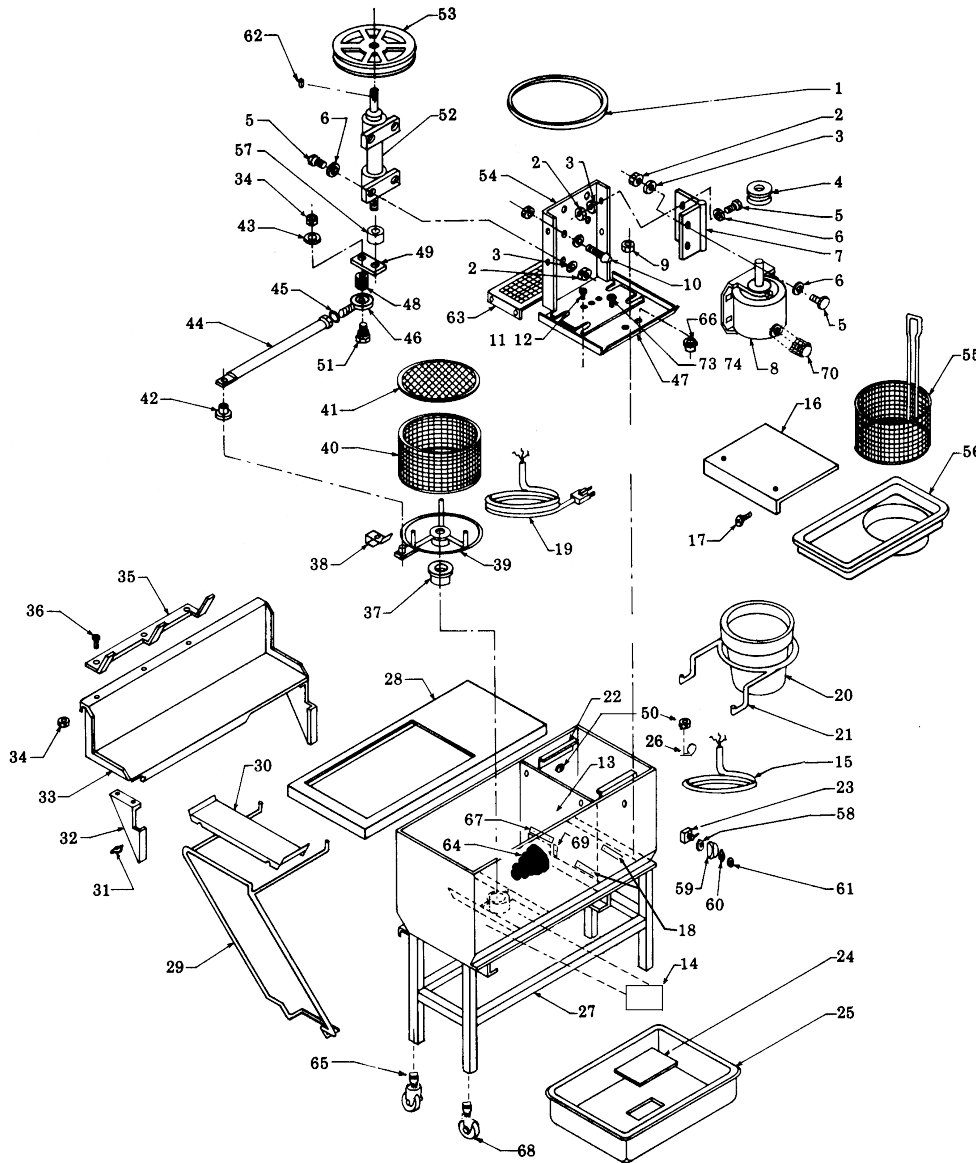


For the most up-to-date parts information, visit
<https://parts.hennypennyhelp.com>.

Hand Breader/Sifter (HB) 121 Parts



Henny Penny discontinued this product and no longer sells it.
 Limited parts sales will be supported until March 31, 2029.





For the most up-to-date parts information, visit
<https://parts.hennypennyhelp.com>.

Item No.	Part No.	Description	Qty.	Stocking Level
1	15254	Belt	1	A
2	NS01-003	Nut, 5/16-18	8	
3	LW01-004	Lockwasher, 5/16	8	
4	15261	Sheave driver pulley, 1.75 OD, 1/2 in Bore, 120 VAC	1	
4	63108	Sheave driver pulley, 2.00 OD, 1/2 in Bore, 240 VAC	1	
5	SC01-026	Screw, 5/16-18 x 3/4	8	
6	WA01-001	Flat washer, 5/16	8	
7	15269	Hinge	1	
8	63106	CW rotation motor, 120 VAC, 60 Hz, 1/4 HP	1	A
8	63107	CW rotation motor, 240 VAC, 50 Hz, 1/4 HP	1	A
8	14300	Motor and hinge kit, 240 VAC (Before Oct. 13, 2000)	1	A
8*	63105	-Motor, 120-240 VAC, 50/60Hz	1	
8*	63108	-Driver sheave	1	
8*	15269	-Hinge	1	
9	NS02-002	Hex keps nut, 1/4-20	10	
10	15256	Adjustment foot assembly	1	
11	SC01-002	Screw, truss head, #10-32 x 1/2 in	2	
12	NS02-001	Hex keps nut, #10-32	2	
13	15884	Partition	1	



For the most up-to-date parts information, visit
<https://parts.hennypennyhelp.com>.

Item No.	Part No.	Description	Qty.	Stocking Level
14	15230	Instructions decal	1	
15	15700	Switch cord assembly	1	
15	74519	Power cord, Australia	1	
16	15889	Cover plate assembly	1	
16*	15597	-Wiring diagram decal	1	
17	SC04-003	Pan screw, #8-32 x 3/8, CT	2	
18	15349	Motor spacers	2	
19	15701	Cord with plug, 7 ft, Type 16/3 SJ	1	
19	74415	Cord subassembly	1	
20	15300	Dip pot	1	
21	15252	Dip pot holder	1	
22	15560	Cover slide	2	
23	22195	Switch	1	A
24	15115	Lug plug	2	
25	15716	Breading plug	2	
26	EF02-032	Cord clamp	1	
27	15880	Bin and frame, right	1	
27	15881	Bin and frame, left	1	
27	15944	Bin and frame, left, K-Mart	1	
28	15900	Top	1	
29	15253	Tray rack	1	



For the most up-to-date parts information, visit
<https://parts.hennypennyhelp.com>.

Item No.	Part No.	Description	Qty.	Stocking Level
30	15241	Pan support	1	
31	NS03-003	Wing nut, #10-24	4	
32	15227	Gusset, left	1	
32	15352	Gusset, right	1	
33	15875	Back splash, left	1	
33	15876	Back splash, right	1	
34	NS02-006	Hex keps nut, #10-24	3	
35	15228	Basket hanger	1	
36	SC01-015	Carriage bolt, #10-24 x 1/2	3	
37	15232	Sifter bearing	1	
38	15233	Retainer spring	1	
39	15284	Basket holder	1	
40	15247	Basket wall	1	
41	15281	Basket bottom	1	
42	15231	Bearing push rod	1	
43	LW01-001	Lockwasher, 3/8 in	1	
44	15260	Push rod	1	
45	NS01-020	Nut, 3/8-24	1	
46	15346	Bearing end rod	1	A
47	15702	Drive guard	1	
48	14083	Mandrel kit, 5/8 (SN: KC0404001 & below)	1	



For the most up-to-date parts information, visit
<https://parts.hennypennyhelp.com>.

Item No.	Part No.	Description	Qty.	Stocking Level
48	26386	Spacer foot (SN: KC0404002 & above)	1	
49	14083	Mandrel kit, 5/8 (SN: KC0404001 & below)	1	A
49	66162	Eccentric (SN: KC0404002 & above)	1	A
50	NS02-006	Ground nut	6	
51	SC01-069	Hex bolt, 3/8-16 x 1-1/2 in	1	
52	14083	Mandrel kit, 5/8 (SN: KC0404001 & below)	1	A
52	67190	Shaft and bearings assembly (SN: KC0404002 & above)	1	A
52*	66161	Shaft (SN: KC0404002 & above)	1	
52*	66161	Shaft (SN: KC0404001 & below use 14083)	1	
52*	21180	Pillow block assembly	2	
53	15170	Sheave driver pulley, 8.00 O.D. x 1/2 in Bore	1	
54	15246	Drive mounting bracket	1	
55	84038	Dip basket	1	
56	12176	Plastic drip tray	1	
57	14083	Mandrel kit, 5/8 (SN: KC0404001 & below)	1	
57*	use 14083	-Eccentric spacer	1	
58	EF02-009	Hex nut switch	1	
59	15302	Switch guard	1	
60	22197	Plate on/off switch	1	
61	EF02-010	Switch nut	1	



For the most up-to-date parts information, visit
<https://parts.hennypennyhelp.com>.

Item No.	Part No.	Description	Qty.	Stocking Level
62	15163	Key, 3/16 in x 1 in	1	
63	15439	Bottom access panel	1	
64	15888	Boot	1	
65	26534	Caster without brake	2	
66	EF02-047	Strain relief bushing	1	
67	15891	Boot clamp, 2 hole	2	
68	26533	Caster with brake	2	
69	15887	Boot clamp, 1 hole	2	
70	EF02-016	Strain relief	1	
71*	15624	Microswitch, Canada only	2	A
72*	05019	Bun pan	1	
73*	15895	Bin corners	4	
Recommended Parts: A = Truck Stock; B = Dist. Stock * = Not Shown A/R = As Required				