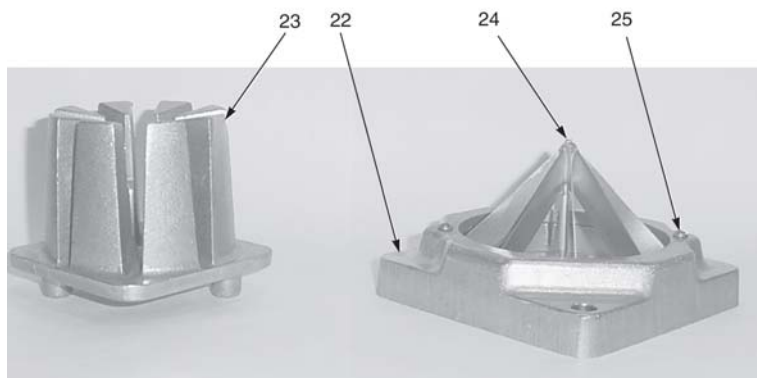


**FOR SQUARE CUTS**



**FOR WEDGES**

For Assistance  
Dial 1-800-417-8405  
or 1-937-456-8405

| INDEX NO. | DESCRIPTION                              | PART NO.         | QTY. REQUIRED |        |        |
|-----------|--|------------------|---------------|--------|--------|
|           |  |                  | 1/4"          | 3/8"   | 8 Seg. |
| 1         | Lever                                    | 31837            | 1             | 1      | 1      |
| 2         | Frame                                    | 31838            | 1             | 1      | 1      |
| 3         | Push Block Guide<br>Includes:            | 31839            | 1             | 1      | 1      |
| 4         | Bushing                                  | 31840            | 4             | 4      | 4      |
| 5         | Push Block (1/4")                        | 31841            | 1             | -      | -      |
|           | Push Block (3/8")                        | 31842            | -             | 1      | -      |
| 6         | Bracket                                  | 31843            | 1             | 1      | 1      |
| 7         | Guide Rod                                | 31844            | 2             | 2      | 2      |
| 8         | Pin                                      | 31845            | 3             | 3      | 3      |
| 9         | Washer (5/16")                           | 31846            | 5             | 5      | 5      |
| 10        | Pin Clip                                 | 31847*           | 3             | 3      | 3      |
| 11        | Yoke                                     | 31848            | 1             | 1      | 1      |
| 12        | Hex Nut                                  | 31849            | 2             | 2      | 2      |
| 13        | Wing Nut                                 | 31850            | 2             | 2      | 2      |
| 14        | Thumb Screw (1/4" x 3/4")                | 31851*           | 2             | 2      | 2      |
| 15        | "O" Ring                                 | 31852            | 2             | 2      | 2      |
| 16        | Blade & Holder Assy.<br>For 1/4" Cut     | 31853            | 1             | -      | -      |
|           | For 3/8" Cut                             | 31854            | -             | 1      | -      |
|           | Includes:                                |                  |               |        |        |
| 17        | Blade Holder                             | 31855            | 1             | -      | -      |
| 18        | Blade Holder Plate                       | 31856            | 1             | -      | -      |
| 19        | Blade Kit (1/4") or,<br>Blade Kit (3/8") | 31857<br>31858   | 1<br>-        | -<br>1 | -<br>- |
| 20        | Spacer Kit (1/4")<br>Spacer Kit (3/8")   | 31859*<br>31860* | 1<br>-        | -<br>1 | -<br>- |
| 21        | Thumb Screws (1/4" x 5/8")               | 31861*           | 2             | 2      | -      |
| 22        | Blade Holder (8 Segment)                 | 31862            | -             | -      | 1      |
| 23        | Push Block (8 Segment)                   | 31863            | -             | -      | 1      |
| 24        | Blade Assy. (8 Segment)                  | 31864            | -             | -      | 1      |
| 25        | Thumb Screw (#6)                         | 31865            | -             | -      | 2      |
| 26        | M. Screw (#10)                           | 31866*           | 1             | 1      | 1      |
| 27        | Washer (1/4")                            | 31867*           | 4             | 4      | 4      |
| 28        | Mounting Screw                           | 31868*           | 4             | 4      | 4      |

\*Not Shown