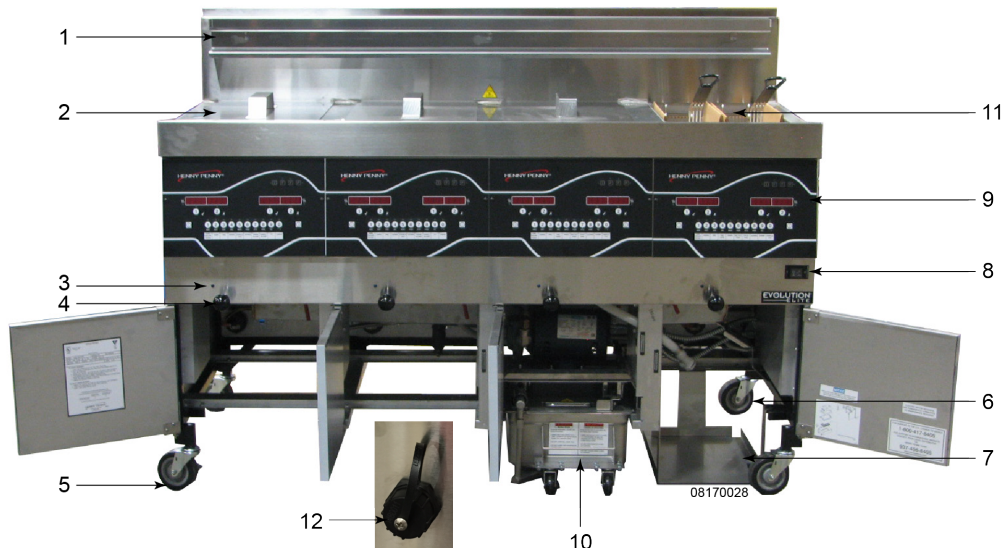




For the most up-to-date parts information, visit <https://parts.hennypennyhelp.com>.

Operating Components



Item No.	Part No.	Description	Qty.	Stocking Level
1	152508	Basket hanger, EEG-164 (SN: Before ND2111001)	1/fryer	
1	152793	Basket hanger, EEG-163 (SN: Before ND2111001)	1/fryer	
1*	151171	Full basket hanger EEG 16X - (SN: ND2111001 & After) EEG-24X - All units	1/vat	
2	03646	Full vat cover	1/vat	
2	03647	Split vat cover	1/vat	
3	81980	Filter beacon, blue LED	1/vat	B
4	-----	Drain valve linkage assembly	1/vat	



For the most up-to-date parts information, visit
<https://parts.hennypennyhelp.com>.

Item No.	Part No.	Description	Qty.	Stocking Level
5	77575	Front caster wheel - swivel w/brake	2	C
6	77679	Back caster wheel - swivel w/o brake	2	C
*	54225	Leg insert	4	
7	-----	JIB shelf	1	
8	52224	Covered power switch	1	A
9	140402	Automatic drain control kit, GM	1/vat	B
9	140748	Automatic drain control kit, Arby's	1/vat	B
9	140498	Manual drain control kit, autolift	1/vat	
9	140482	YRI control kit, manual drain, KFC	1/vat	B
9	140510	YRI control kit, manual drain with radio, EEG 242, 243, 244 only, KFC	1/vat	B
9	140511	YRI radio kit (control not included), EEG 242, 243, 244 only, KFC	1/vat	
9	140512	YRI control kit, auto drain, with radio, EEG 242, 243, 244 only, KFC	1/vat	B
9	140602	YRI control kit, manual drain, with radio, EEG 241 only, KFC	1/vat	
9	140603	YRI radio kit (control not included), EEG 241 only, KFC	1/vat	
9	140604	YRI control kit, auto drain, with radio, EEG 241 only, KFC	1/vat	
9	140468	Manual drain control kit, Sonic	1/vat	



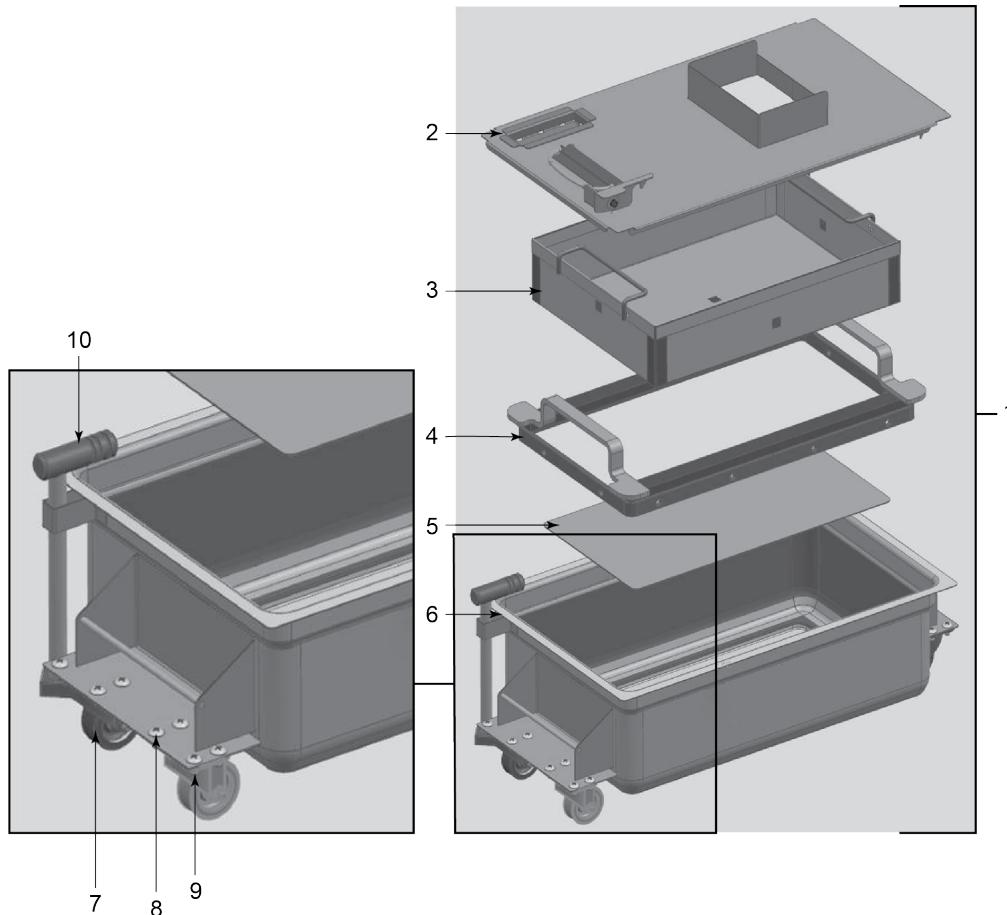
For the most up-to-date parts information, visit
<https://parts.hennypennyhelp.com>.

Item No.	Part No.	Description	Qty.	Stocking Level
9	140469	Manual drain control kit, Arby's	1/vat	
9	140470	Manual drain control kit, Maggiano's	1/vat	
9	140471	Manual drain control kit, Chili's	1/vat	
9	140472	Manual drain control kit, General Market	1/vat	
10	-----	Filter Pan Assembly	1	
11	81915	Half basket, red handle	A/R	
11	85136	Full size basket, red handle, front support	A/R	
12	152487	USB port and cable	1/vat	
12	152488	USB cap	1/vat	
13*	03719	USB flash drive, 2 GB	1	
14*	26974	Speaker assembly	1/vat	A
15*	157278	Basket lid	1/basket	
16*	81354	Control decal	1	
17*	83206	Autolift control decal	1	
18*	81613	Menu strip, blank	1	
19*	82326	Menu strip tool	A/R	
	12199	Oil test kit	A/R	
Recommended Parts: A = Truck Stock; B = Dist. Stock A/R = As Required				



For the most up-to-date parts information, visit <https://parts.hennypennyhelp.com>.

Filter Pan Assembly



NOTE For units manufactured after November 2016, part [NS04-005](#) is welded onto filter pan assembly.

Item No.	Part No.	Description	Qty.	Stocking Level
1	154167	Filter pan assembly w/ caster, EEG 241	1	
1	152634	Filter pan assembly w/ caster (before NX1603075 / NB1604001)	1	



For the most up-to-date parts information, visit
<https://parts.hennypennyhelp.com>.

Item No.	Part No.	Description	Qty.	Stocking Level
1	97845	Filter pan assembly w/ caster (NX1603075 / NB1604001 and after)	1	
2	154163	Filter pan assembly cover, EEG 241	1	
2	-152635	Filter pan assembly cover (before NX1603075 / NB1604001)	1	
2	-162059	Filter pan assembly cover (NX1603075 / NB1604001 and after)	1	
3	-163322	Crumb catcher assembly	1	
4	-85503	Filter weight assembly	1	
5	-85519	Filter section	1	
6	-95842	Filter pan only (before NX1603075 / NB1604001)	1	
6	-164057	-Filter pan w/ castors only (NX1603075 / NB1604001 and after)	1	
7	-19004	-Swivel caster, 2 in	4	
8	-SC01-009	-Screw, 1/4 x 20 x 1/2	4/wheel	
9	-NS04-005	-Locknut, 1/4 x 20	4/wheel	
10	175860	116 suction line O-ring service pack, qty 12	1	
11*	12074	Smart filter pads, 30 count	1	
11*	12076	Smart filter paper, 100 count	1	
11*	12090	Prime filter pads, 30 count	1	

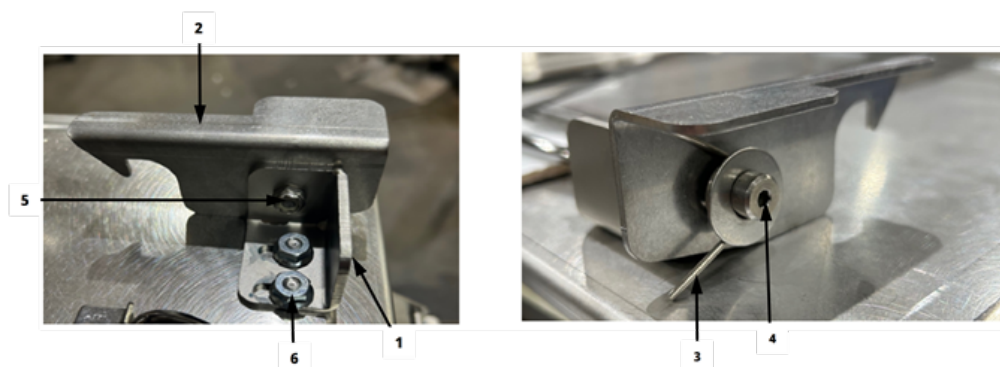


For the most up-to-date parts information, visit
<https://parts.hennypennyhelp.com>.

Item No.	Part No.	Description	Qty.	Stocking Level
11*	-	Filter pad/envelope (ordered by customer specific supplier)	1	
12*	-	Filter pan switch kit (See Filter Pump System)	-	
13*	173392	Heavy duty filter pan assembly, 242, 243, 244	1	
14*	-173391	-Heavy duty filter pan bottom, 242, 243, 244	1	
15*	-162059	-Heavy duty filter pan cover, 242, 243, 244	1	
16*	173393	Heavy duty filter pan assembly, 241	1	
17*	-173391	-Heavy duty filter pan bottom, 241	1	
18*	-154163	-Heavy duty filter pan cover, 241	1	

Recommended Parts: A = Truck Stock; B = Dist. Stock
 * = Not Shown

Filter Pan Lid Latch Assembly





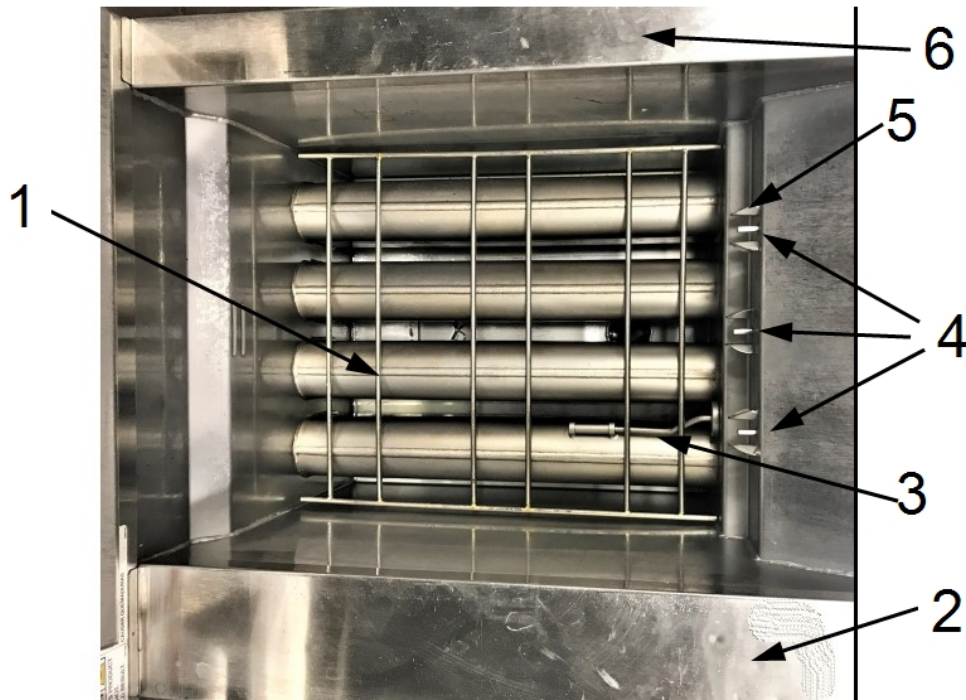
For the most up-to-date parts information, visit
<https://parts.hennypennyhelp.com>.

Item No.	Part No.	Description	Qty.	Stocking Level
1	84655	Lid latch bracket	1	
2	84656	Lid latch	1	
3	88576	Lid latch spring	1	
4	SC06-081	Lid latch bolt	1	
5	NS03-107	Lid latch nut	1	
6	NS04-004	Lid latch mounting nut	2	
Recommended Parts: A = Truck Stock; B = Dist. Stock				



For the most up-to-date parts information, visit <https://parts.hennypennyhelp.com>.

Inside Vat



Item No.	Part No.	Description	Qty.	Stocking Level
1	76980	Basket support rack, split vat	1/vat	
1	76982	Basket support rack, full vat	1/vat	
2	86728	Divider guard split vat	A/R	
2	86729	Divider guard full vat	A/R	
3	92717	High limit single thermocouple (Before 1/2021)	1/vat	A
3	178359	High limit dual thermocouple (After 1/2021)	1/vat	A



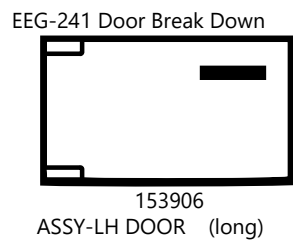
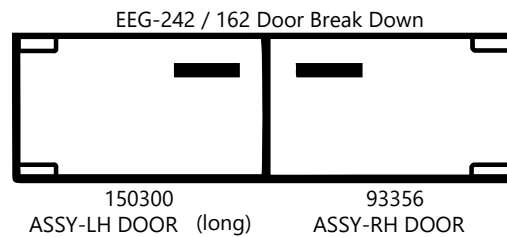
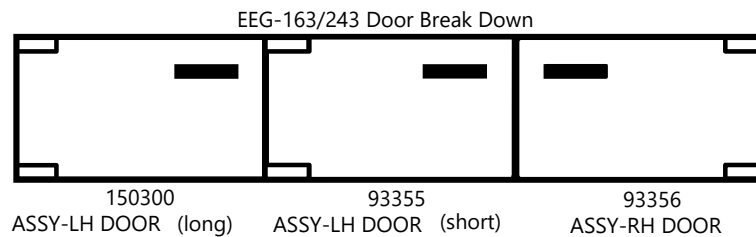
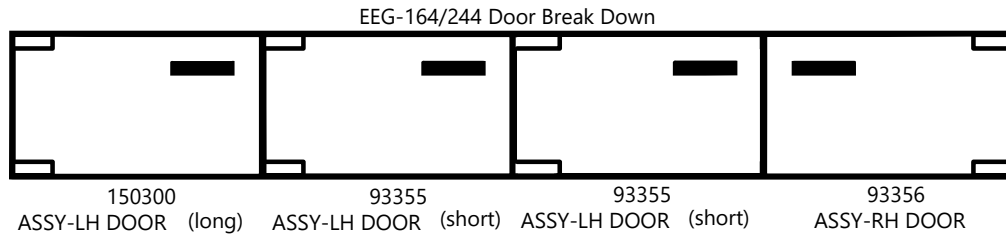
For the most up-to-date parts information, visit
<https://parts.hennypennyhelp.com>.

Item No.	Part No.	Description	Qty.	Stocking Level
4	140098	Temperature/level probe kit	3/vat	A
5	77914	Probe guard (requires welding)	6/vat	
6	150728	End guard split vat	2	
6	150687	End guard full vat	2	
7*	157850	Crumb tray assembly	1	
8*	151612	Crisper grate, EEG164	2	
Recommended Parts: A = Truck Stock; B = Dist. Stock				



For the most up-to-date parts information, visit
<https://parts.hennypennyhelp.com>.

Door Assembly



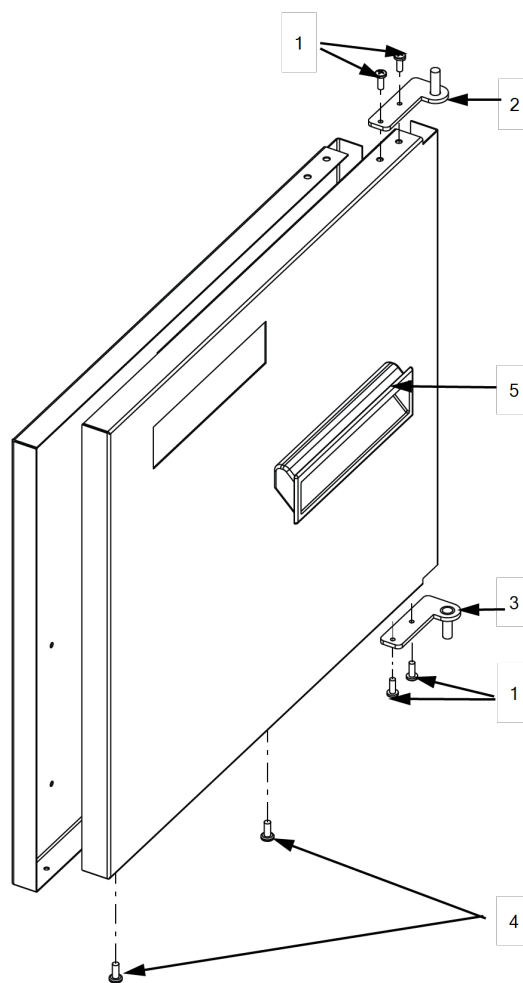
Door Number	Top Hinge (Door)	Bottom Hinge (Door)	Bottom Hinge (Frame)	Bushing	Door Handle (Pocket Pull)
150300	92342	92340	150624	39752	41836
93355	92342	92340	85409	39752	41836
93356	92340	92342	150625	39752	41836



For the most up-to-date parts information, visit <https://parts.hennypennyhelp.com>.

Door Number	Top Hinge (Door)	Bottom Hinge (Door)	Bottom Hinge (Frame)	Bushing	Door Handle (Pocket Pull)
153906	92342	92340	150624	39752	41836

Door Parts



Item No.	Part No.	Description	Qty.	Stocking Level
1	SC04-003	Screw, #8-32, CT, PHD, SS (qty. 50)	4	



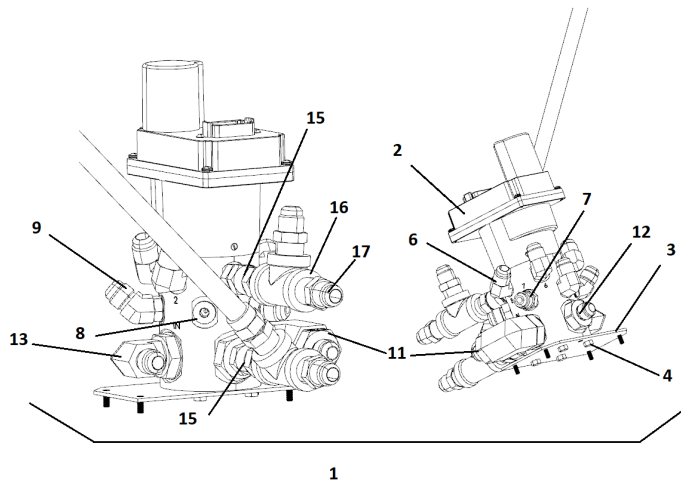
For the most up-to-date parts information, visit
<https://parts.hennypennyhelp.com>.

Item No.	Part No.	Description	Qty.	Stocking Level
2	-	Top Hinge (Door), See Door Assembly table	-	
3	-	Bottom Hinge (Door), See Door Assembly table	-	
4	SC04-003	Screw, #8-32, CT, PHD, SS (qty. 50)	3	
5	41836	Door handle	1	
6*	SC01-234	Flat head hinge screw, #8-32, CT, FHD (hinge to frame) (qty. 50)	A/R	
7*	17002	Door magnet	1/vat	



For the most up-to-date parts information, visit
<https://parts.hennypennyhelp.com>.

Selector Valve and Plumbing Assembly



Item No.	Part No.	Description	Qty.	Stocking Level
Valve/Mounting				
1	170144-001	Service Pack - 10 Port Selector Valve NOTE: No fittings or plumbing are included.	1	
2*	185390	Service Pack - Gen 4 Encoder Emulator Retro NOTE: Requires Service pack update for units prior to 9/29/2022 not updated to Gen 4. - Gen 4 Encoder Emulator Motor - Gen 4 Encoder Emulator Cable	1	B
2	182774	Gen 4 Encoder Emulator Motor only	1	A
2^	183173-001	Gen 4 Encoder Emulator Cable only	1	



For the most up-to-date parts information, visit
<https://parts.hennypennyhelp.com>.

Item No.	Part No.	Description	Qty.	Stocking Level
3	167035	Selector valve stud assembly	1	
4	SC01-184	1/4 x 20 x 1/2 inch hex head screw	4	
5	90479	Selector valve motor power harness	1	
Outlet Fittings				
6	FP01-235	45 degree elbow w/flare fitting	A/R	
7	FP01-236	45 degree straight w/flare fitting	A/R	
8	FP01-237	Plug fitting (no bulk fill)	A/R	
9	FP01-258	45 degree elbow w/flare	1	
10*	173418-001	Silicone o-ring, AS568, .468ID	A/R	
Inlet Fittings				
11	168233	Check Valve, 50 psi, SAE 12, 3/4 in 45 degree flare	1	
12	158282	12 inch x 45 degree flare check valve	2	
13	FP01-254	12 inch x 45 degree flare 90 degree elbow (bulk fill)	1	B
14*	FP01-347	#12 O-ring boss plug (no bulk fill)	1	
15	FP01-317	1/2 inch female swivel fitting	1	
16	FP01-112	1/2 inch female pipe tee	1	
17	FP01-242	1/2 inch to 45 degree flare fitting	1	
18*	173418-004	Silicone o-ring, AS568, .924ID	A/R	



For the most up-to-date parts information, visit
<https://parts.hennypennyhelp.com>.

Item No.	Part No.	Description	Qty.	Stocking Level
19*	176808	Selector valve light tool service pack	1	
Recommended Parts: A = Truck Stock; B = Dist. Stock A/R = As Required				

NOTE: All Del Taco fryers have selector valves.

NOTE: Applies to units with serial numbers prefixes ND and NE.

Oil Flex Line Chart

Well Configuration Key

Part Number	Length	F=Full Vat
77523-009	13"	S=Split Vat
77523-002	18"	
77523-013	21"	
77523-004	30"	
77523-005	36"	
77523-007	48"	

2 Well

Selector Valve Port	Configuration FF	Configuration SS	Configuration FS	Configuration SF
1	Plug	18"	Plug	21"
2	21"	21"	21"	21"
3	Plug	18"	18"	Plug
4	18"	18"	18"	18"
5	Plug	Plug	Plug	Plug



For the most up-to-date parts information, visit
<https://parts.hennypennyhelp.com>.

6	Plug	Plug	Plug	Plug
7	Plug	Plug	Plug	Plug
8	Plug	Plug	Plug	Plug
9 (ATO)	18"	18"	18"	18"
10	18"	18"	18"	18"
Oil Bypass Elbow	18"	18"	18"	18"

3 Well

Select- or Valve Port	Con- figuration FFF	Con- figuration SSS	Con- figuration FSS	Con- figuration FFS	Con- figuration SSF	Con- figuration SFF
1	Plug	36"	Plug	Plug	36"	36"
2	36"	36"	36"	36"	36"	36"
3	Plug	24"	30"	Plug	24"	Plug
4	21"	21"	21"	21"	21"	21"
5	Plug	13"	18"	13"	Plug	Plug
6	18"	18"	18"	18"	18"	18"
7	Plug	Plug	Plug	Plug	Plug	Plug
8	Plug	Plug	Plug	Plug	Plug	Plug
9 (ATO)	18"	18"	18"	18"	18"	18"
10	30"	30"	30"	30"	30"	30"
Oil Bypass Elbow	21"	21"	21"	21"	21"	21"



For the most up-to-date parts information, visit
<https://parts.hennypennyhelp.com>.

4 Well

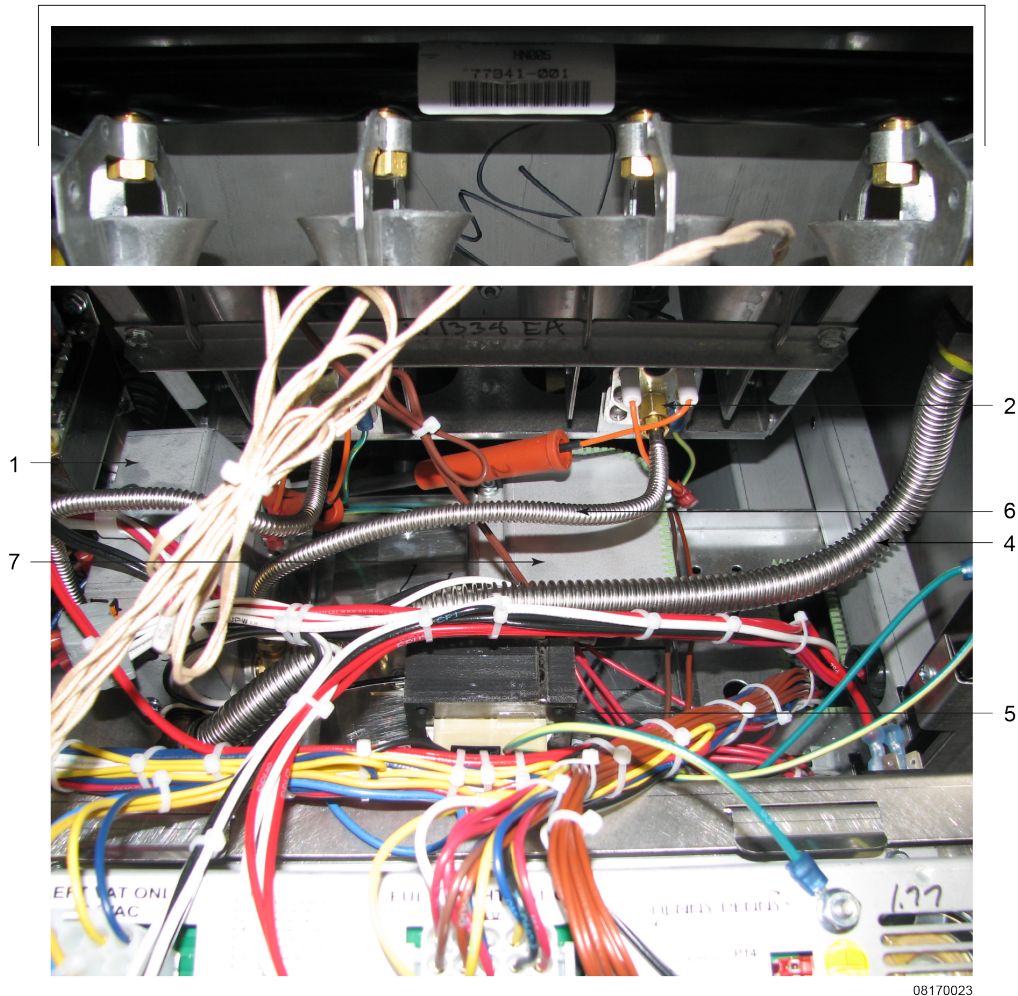
Selector Valve Port	Configuration FFFF	Configuration FFFS	Configuration SFFF
1	Plug	Plug	48"
2	48"	48"	48"
3	Plug	Plug	Plug
4	36"	36"	36"
5	Plug	Plug	Plug
6	30"	30"	30"
7	Plug	18"	Plug
8	18"	18"	18"
9 (ATO)	18"	18"	18"
10	30"	30"	30"
Oil Bypass Elbow	21"	21"	21"



For the most up-to-date parts information, visit
<https://parts.hennypennyhelp.com>.

Gas Valves, Burners, and Transformers

3



08170023

Item No.	Part No.	Description	Qty.	Stocking Level
1	87663-101	Gas valve service pack, full vat, Natural	1/vat	A
1	87663-102	Gas valve service pack, split vat, Natural	1/vat	A
1	87663-103	Gas valve service pack, full vat, LP	1/vat	A



For the most up-to-date parts information, visit
<https://parts.hennypennyhelp.com>.

Item No.	Part No.	Description	Qty.	Stocking Level
1	87663-104	Gas valve service pack, full vat, split vat, LP	1/vat	A
1	87663-105	Gas valve service pack, full vat, Natural, CE	1/vat	A
1	87663-106	Gas valve service pack, left split vat, Natural, CE	1/vat	A
1	87663-107	Gas valve service pack, full vat, LP, CE	1/vat	A
1	87663-108	Gas valve service pack, left split vat, LP, CE	1/vat	A
1	87663-109	Gas valve service pack, right split vat, Natural, CE	1/vat	A
1	87663-110	Gas valve service pack, right split vat, LP, CE	1/vat	A
2	140296	Pilot kit, natural	1/vat	A
2	140297	Pilot kit, LP	1/vat	A
3	76921-001	Main burner orifice (natural)	4/burner	
3	76921-002	Main burner orifice (LP)	4/burner	
4	-----	Gas Flex Tube (see table)	-----	B
5	86086	Transformer, 120 VAC	1/vat	A
5	86087	Transformer, 240 / 24 VAC, 75 amp	1/vat	A
6	82491	Pilot flex tube, 1/4 x 12 in, SS	2/control	



For the most up-to-date parts information, visit
<https://parts.hennypennyhelp.com>.

Item No.	Part No.	Description	Qty.	Stocking Level
7	175915-003	Service Pack - Single high limit control, 120 VAC, 430°F - Gen 1, Red Sticker (Before 1/2021)	1/vat	A
7	175915-004	Service Pack - Single high limit control, 230 VAC, 430°F - Gen 1, Brown Sticker (Before 1/2021)	1/vat	A
7	175915-008	Service Pack - Dual high limit control, 100-240 VAC, 430°F - Gen 1, Red Sticker (After 1/2021) - Gen 2, Black Diamond (11/2022 and after) Note: Dates are production implementation dates. Gen 2 is newest design. - Gen 2 can replace a Gen 1 - Gen 1 cannot replace a Gen 2	1/vat	A
8*	84987	High limit reset switch, N/O, (Before 1/2021)	1/vat	A
8*	157360	High limit reset switch, N/C, (After 1/2021)	1/vat	A
9*	176159	Gas solenoid valve service pack, 24 VAC, CE	1/vat	
10*	173085	Gas valve solenoid coil, 24 VAC	2/vat	
11*	TS22-012	Transformer, AIF	1	A
12*	81553	Heat exchanger muffle	4/control	
13*	81554	Heat exchanger wedge	4/control	



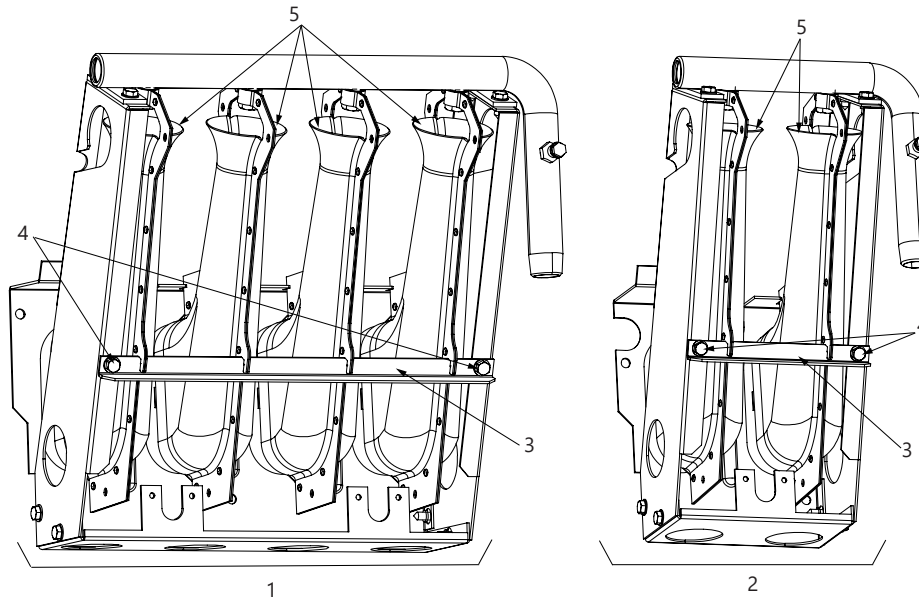
For the most up-to-date parts information, visit
<https://parts.hennypennyhelp.com>.

Item No.	Part No.	Description	Qty.	Stocking Level
14*	WS01-056	Weld pin 14GA x 2.50 mild steel	8/control	
<p>Recommended Parts: A = Truck Stock; B = Dist. Stock * = Not Shown A/R = As Required</p>				



For the most up-to-date parts information, visit
<https://parts.hennypennyhelp.com>.

Burner Assembly



Item No.	Burner Part No.	Description				Qty.
		Vat Type	Burner Orifice Part No.	Gas Type	Altitude	
1	77941-001	Full	76921-001	Natural	< 5,000	1/vat
1	77941-001	Full	76921-001	I2H, I2E	< 5,000	1/vat
1	77941-002	Full	76921-002	Propane	< 5,000	1/vat
1	77941-002	Full	76921-002	I3P	< 5,000	1/vat
1	77941-003	Full	76921-003	Natural	5,000-10,000	1/vat
1	77941-005	Full	76921-005	I2S	n/a	1/vat



For the most up-to-date parts information, visit
<https://parts.hennypennyhelp.com>.

Item No.	Burner Part No.	Description				Qty.
		Vat Type	Burner Orifice Part No.	Gas Type	Altitude	
1	77941-006	Full	76921-006	I2E+	n/a	1/vat
1	77941-007	Full	76921-007	I2L, I2HS	n/a	1/vat
1	77941-008	Full	76921-008	I3B/P	n/a	1/vat
1	77941-008	Full	76921-008	LP mix	n/a	1/vat
1	77941-010	Full	76921-010	I3A	n/a	1/vat
1	77941-011	Full	76921-011	I3B/P, I3P	n/a	1/vat
1	77941-012	Full	76921-012	I3B/P, I3P	n/a	1/vat
1	77941-013	Full	76921-013	Propane	5,000-10,000	1/vat
1	-	Full	76921-015 -only used on fryers located in Hungary	Hungary-Natural	N/A	1/vat
2	77942-001	Split	76921-001	Natural	< 5,000	1/vat
2	77942-001	Split	76921-001	I2H, I2E	< 5,000	1/vat
2	77942-002	Split	76921-002	Propane	< 5,000	1/vat
2	77942-002	Split	76921-002	I3P	< 5,000	1/vat
2	77942-004	Split	76921-004	Natural	5,000-10,000	1/vat
2	77942-005	Split	76921-005	I2S	n/a	1/vat
2	77942-006	Split	76921-006	I2E+	n/a	1/vat



For the most up-to-date parts information, visit
<https://parts.hennypennyhelp.com>.

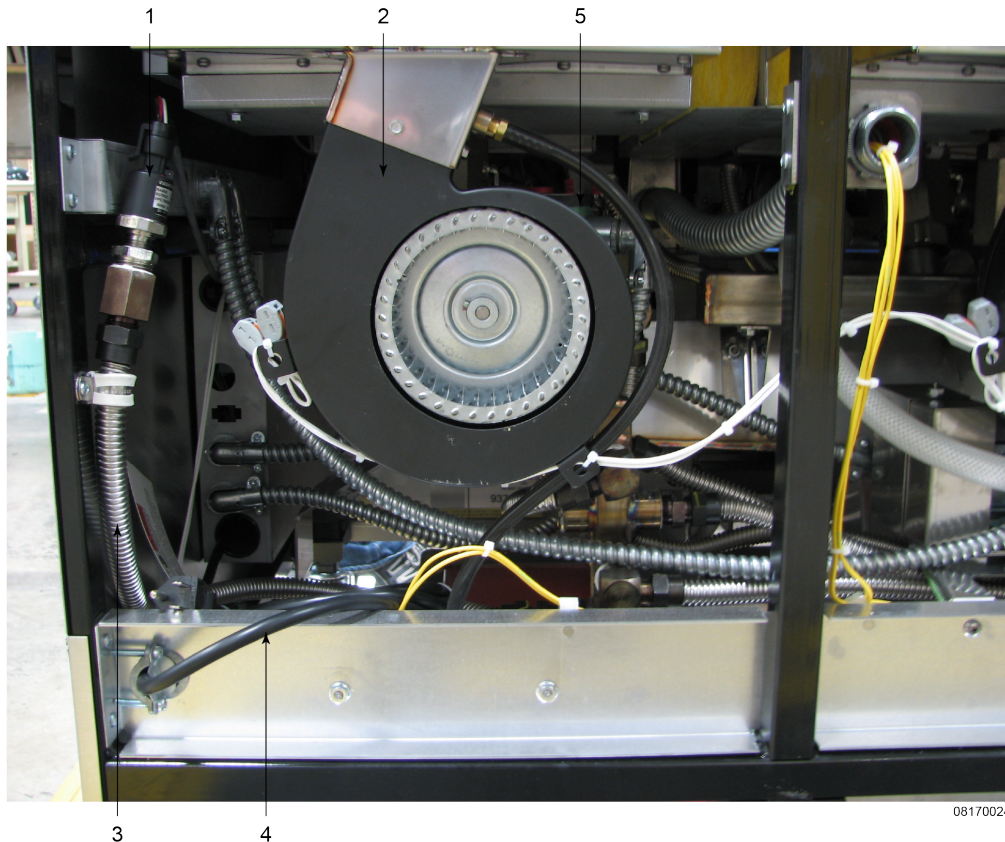
Item No.	Burner Part No.	Description				Qty.
		Vat Type	Burner Orifice Part No.	Gas Type	Altitude	
2	77942-007	Split	76921-007	I2L, I2HS	n/a	1/vat
2	77942-008	Split	76921-008	I3B/P	n/a	1/vat
2	77942-008	Split	76921-008	LP Mix	n/a	1/vat
2	77942-010	Split	76921-010	I3A	n/a	1/vat
2	77942-011	Split	76921-011	I3B/P, I3P	n/a	1/vat
2	77942-012	Split	76921-012	I3B/P, I3P	n/a	1/vat
2	77942-013	Split	76921-013	Propane	n/a	1/vat
2	-	Split	76921-015 -only used on fryers located in Hungary	Hungary-Natural	N/A	1/vat
3	N/A	Full	Support burner			-
3	N/A	Split	Support burner			-
4	N/A	Both	Control mounting bracket screw			-
5	N/A	Both	Angled burner tube			-

Recommended Parts: A = Truck Stock; B = Dist. Stock



For the most up-to-date parts information, visit <https://parts.hennypennyhelp.com>.

Blower Motor and JIB Assembly



08170024

Item No.	Part No.	Description	Qty.	Stocking Level
1	--	Pressure transducer- See Behind Side Panel	--	
2	140449	Blower wheel kit, 4 well (before November 2016)	1	
2	140460	Blower wheel kit, 3 well (before November 2016)	1	
2	140461	Blower wheel kit, 2 well (before November 2016)	1	



For the most up-to-date parts information, visit
<https://parts.hennypennyhelp.com>.

Item No.	Part No.	Description	Qty.	Stocking Level
2	140462	Blower wheel kit, 1 well (before November 2016)	1	
2	92963-001	Blower motor assembly, 120 VAC (before November 2016)	1/control	B
2	92963-002	Blower motor assembly, 240 VAC (before November 2016)	1/control	B
2	162245-001	Blower motor assembly, 120 VAC (November 2016 and after)	1/control	B
2	162245-002	Blower motor assembly, 240 VAC (November 2016 and after)	1/control	B
3	--	Flex tube- See Miscellaneous Kits	--	
4	152902-001	Power cord, 120 VAC, NEMA 5-15P	1	C
4	159437	Power cord assembly and plug, AU	A/R	C
5	97599	JIB pump retrofit service pack, 120 VAC (before 05/2015)	1	
5	153417-001	JIB pump, 120 VAC (after 05/2015) (behind blower)	1	A
5	97600	JIB pump retrofit service pack, 208-240 VAC (before 05/2015)	1	
5	153417-002	JIB pump, 208-240 VAC (after 05/2015) (behind blower)	1	A
6*	FP01-239	Elbow, 90 degree, 3/8 NPT, 45 flare	1	
7*	FP02-077	Nipple, 3/8 NPT nylon	1	
8*	FP01-284	Elbow, 3/8 NPT, female, 304, SS	1	



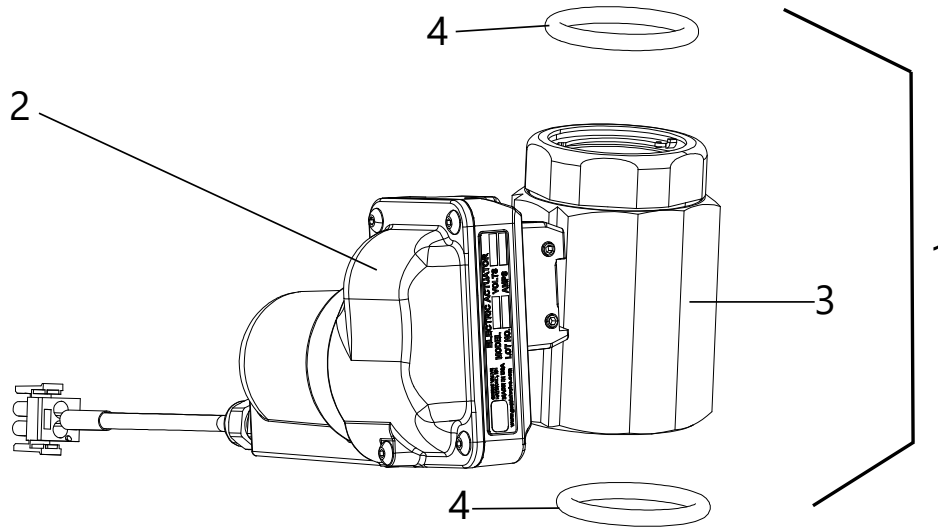
For the most up-to-date parts information, visit
<https://parts.hennypennyhelp.com>.

Item No.	Part No.	Description	Qty.	Stocking Level
9*	FP01-228	Barb, 1/2 Hose by 3/8 NPT, nylon	1	
10*	140939	Kit - pressure switch, 0.80 in WC (before November 2016) - Pressure switch .80wc - Edge grommet - Pressure switch tube, 11 in	1	A
10*	140929	Kit -pressure switch, 0.40 in WC (November 2016 and after) - Pressure switch .40wc - Edge grommet - Pressure switch tube, 11 in	1	A
11*	79443-8	Pressure switch tube, 22 in (cut to length)	1/vat	
12*	151744	Solenoid valve, 120 VAC, 1/2 NPT (Serial number prefixes NA, NB, NW, NX, NY, NZ) (behind blower)	1/vat	A
12*	154048	Solenoid valve, 240 VAC, 1/2 NPT (Serial number prefixes NA, NB, NW, NX, NY, NZ) (behind blower)	1/vat	A
12*	--	Solenoid valve repair kit - See Selector Valve/Solenoid Valve Kit Numbers	--	
13*	77293	Flue insulation, split vat	2/vat	
13*	77294	Flue insulation, full vat	1/vat	
14*	FP01-213	Hose barb fitting, 1/4, split vat		
Recommended Parts: A = Truck Stock; B = Dist. Stock * = Not Shown				



For the most up-to-date parts information, visit
<https://parts.hennypennyhelp.com>.

SmartTouch Drain Valve Assembly



Item No.	Part No.	Description	Qty.	Stocking Level
1		Drain valve and actuator assembly (not covered under warranty)		
2	86157	Drain valve actuator (only)	1	B
3	140244	Drain valve (includes O-ring)	1	B
4	84415	O-ring, 326	2	B
5*	76948	Drain tube to trough o-ring	1/vat	

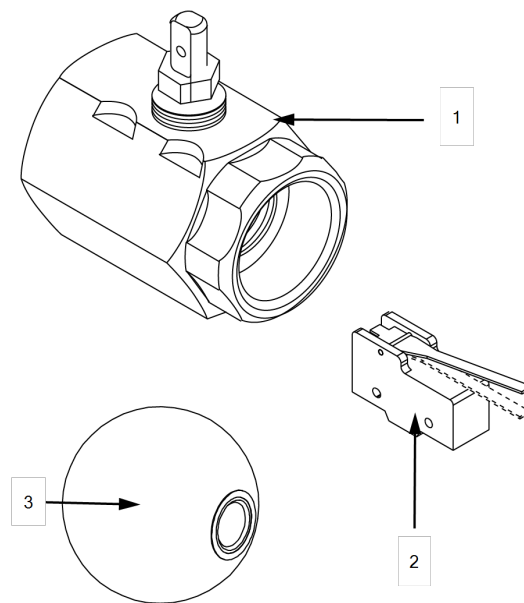
Recommended Parts: A = Truck Stock; B = Dist. Stock
 * = Not Shown



For the most up-to-date parts information, visit
<https://parts.hennypennyhelp.com>.

Manual Drain Valve Assemblies

Manual Drain Valve Assembly (Units Manufactured before April 2018)

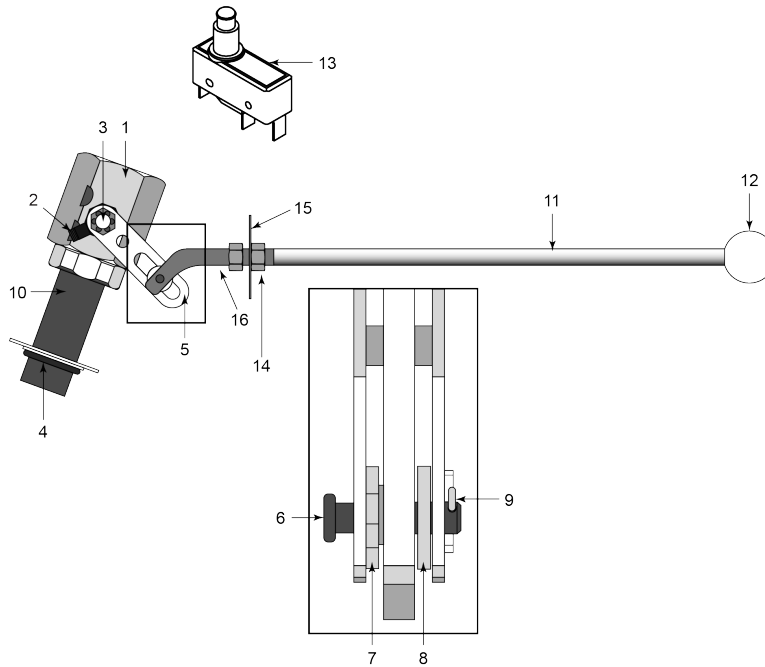


Item No.	Part No.	Description	Qty.	Stocking Level
1	154051	1 1/2 inch drain valve and cam lock	1/vat	B
2	50764	Rigid lever microswitch	1/vat	A
3*	16101	Spindle knob (black)	1/vat	
4*	140612	Full vat conversion/replacement kit	1/vat	
5*	140613	Split vat conversion/replacement kit	1/well	
Recommended Parts: A = Truck Stock; B = Dist. Stock * = Not Shown				



For the most up-to-date parts information, visit
<https://parts.hennypennyhelp.com>.

Manual Drain Valve Assembly (Units Manufactured after April 2018 to SN: NE2308029)



Item No.	Part No.	Description	Qty.	Stocking Level
1	154051	1 1/2 inch drain valve and cam lock	1/vat	B
2	81573	Pull handle pivot stop, full and right split only	1/vat	
2	74626	Pull handle pivot stop, left split vat only	1/well	
3	NS03-103	1/2 x 20 steel castle nut	1/vat	
3	17255	Cotter pin	1/vat	
4	76948	325 O-ring	1/vat	
5	160761	Pivot arm	1/vat	
6	PN01-012	1/4 x 1 inch stainless steel clevis pin	1/vat	



For the most up-to-date parts information, visit
<https://parts.hennypennyhelp.com>.

Item No.	Part No.	Description	Qty.	Stocking Level
7	151156	Pivot bushing rod linkage	1/vat	
8	150181	Drain rod linkage spacer	1/vat	
9	PN01-039	3/32 x 1 inch cotter pin	1/vat	
10	95704-002	Valve to trough 4.5 tube	1/vat	
11	170163	Drain rod	1/vat	
12	16101	Spindle knob (black)	1/vat	
13	18227	Microswitch	1/vat	A
14	NS01-020	Hex nut, 3/8-24	1/well	
15	170161	Drain rod stop weld assembly (April 2018 to SN: NE2308029)	1/well	
16	163730	Drain switch linkage weld assembly	1/well	
17*	164021	Bracket - drain rod (full) (April 2018 to SN: NE2308029)	1/vat	
18*	NS04-001	Serrated, flanged lock nut, 6-32	2	
19*	140957	Drain switch replacement kit (April 2018 to SN: NE2308029)	1/well	

Recommended Parts: A = Truck Stock; B = Dist. Stock
 * = Not Shown

Manual Drain Valve Assembly (SN: NE2308030 & After)

Item No.	Part No.	Description	Qty.	Stocking Level
1	154051	1 1/2 inch drain valve and cam lock	1/vat	B



For the most up-to-date parts information, visit
<https://parts.hennypennyhelp.com>.

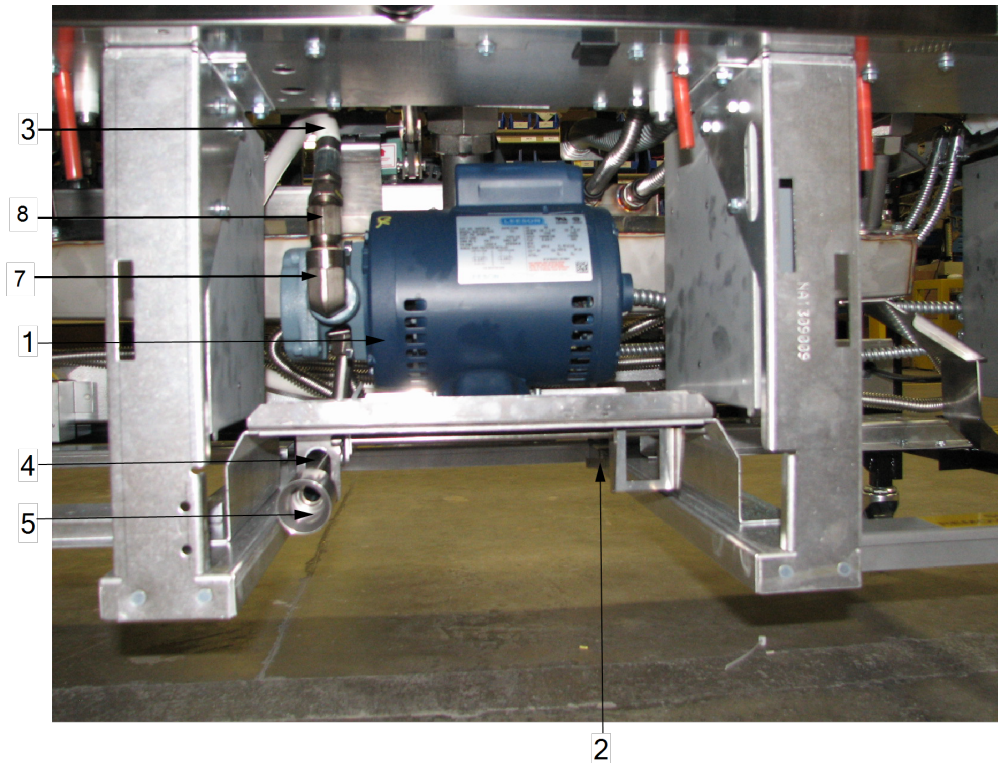
Item No.	Part No.	Description	Qty.	Stocking Level
2	81573	Pull handle pivot stop, full and right split only	1/vat	
2	74626	Pull handle pivot stop, left split vat only	1/vat	
3	NS03-103	1/2 x 20 steel castle nut	1/vat	
3	17255	Cotter pin	1/vat	
4	76948	325 O-ring	1/vat	
5	160761	Pivot arm	1/vat	
6	PN01-012	1/4 x 1 inch stainless steel clevis pin	1/vat	
7	151156	Pivot bushing rod linkage	1/vat	
8	150181	Drain rod linkage spacer	1/vat	
9	PN01-039	3/32 x 1 inch cotter pin	1/vat	
10	95704-002	Valve to trough 4.5 tube	1/vat	
11	170163	Drain rod	1/vat	
12	16101	Spindle knob (black)	1/vat	
13	18227	Microswitch	1/vat	
14	NS01-020	Hex nut, 3/8-24	1/vat	
15	163730	Drain switch linkage weld assembly	1/vat	
16*	184315	Drain switch bracket	1/vat	
17*	186560	Drain switch bracket, single vat only	1/vat	

Recommended Parts: A = Truck Stock; B = Dist. Stock
*** = Not Shown**



For the most up-to-date parts information, visit
<https://parts.hennypennyhelp.com>.

Filter Pump System



Item No.	Part No.	Description	Qty.	Stocking Level
1	N/A	Flange mount filter pump and motor assembly (NOT SOLD)	1	A
1	N/A	Hub mount filter pump and motor assembly (NOT SOLD)	1	A
2	140537	Drain pan switch kit	1	
3	151686-002	Filter pump outlet hose, 34 in	1	
4	164162	Filter pickup tube assembly	1	



For the most up-to-date parts information, visit
<https://parts.hennypennyhelp.com>.

Item No.	Part No.	Description	Qty.	Stocking Level
5	160834	- Tube end adaptor	1	
6*	151486	Filter pump bracket support rod	2	
7	16239	Elbow, 90 degree	1	
8	FP01-278	Elbow, 45 degree 1/2 NPT	1	
9*	17407	Elbow, 90 degree 1/2" male (inlet fitting)	1	

Recommended Parts: A = Truck Stock; B = Dist. Stock

Flange Mount Filter Pump Motor Assembly

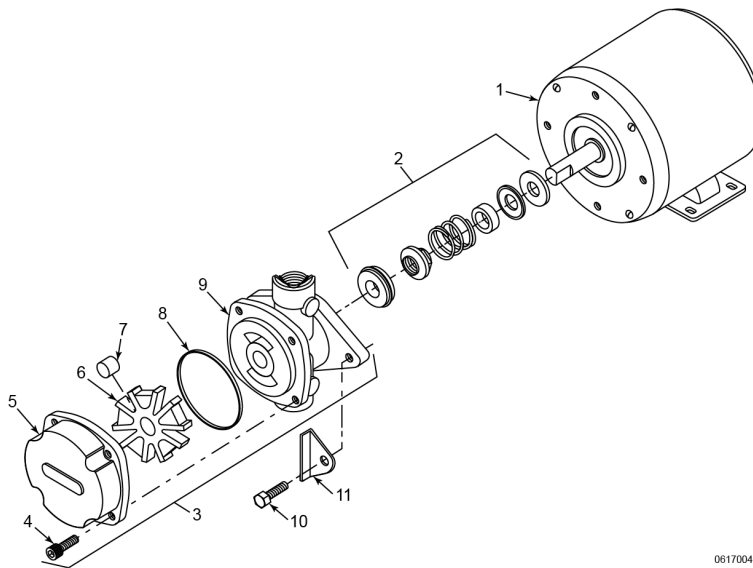
EEG 16X - Not Used on Units

EEG 241- Used on All Units

EEG 242, 243, 244

-60 Hz Units Manufactured Before September 2017

-50 Hz Units Manufactured Before November 2017



06170040



For the most up-to-date parts information, visit
<https://parts.hennypennyhelp.com>.

Item No.	Part No.	Description	Qty.	Stocking Level
1	67583	Motor, 1/2 HP, 60 Hz	1	A
1	92850	Motor, 1/2 HP, 50 Hz, CE	1	A
2	17476	Seal kit	1	A
3	171168	5 GPM pump assembly	1	B
4	SC01-132	- Pump cover screw	1	
5	171171	- Pump cover	1	
6	171170	- Pump rotor	1	
7	171169	- Pump roller (set of 5)	1	A
8	162498	- O-ring	1	B
9	N/A	Pump body not sold separately. Use 171168 .		
Recommended Parts: A = Truck Stock; B = Dist. Stock				



For the most up-to-date parts information, visit
<https://parts.hennypennyhelp.com>.

Hub Mount Filter Pump Motor Assembly

Not Included in Original Manufactured Assembly

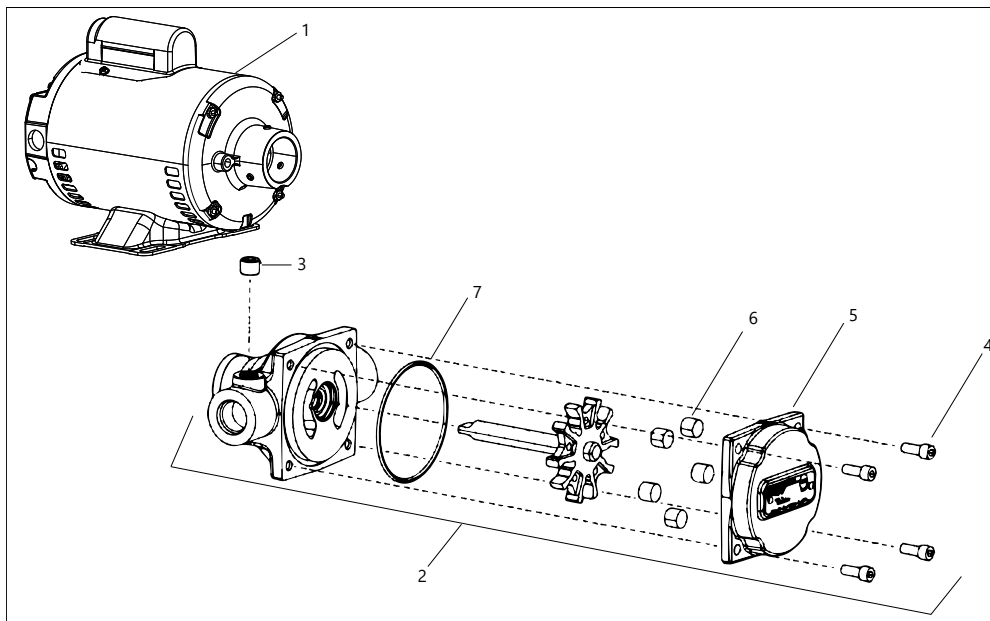
EEG 16X - Used on All Units

EEG 241- Not Used on Units

EEG 242, 243, 244

-60 Hz Units Manufactured September 2017 and After

-50 Hz Units Manufactured November 2017 and After



NOTICE - Do not separate the filter pump rotor and body. Separating the rotor and body will cause permanent pump shaft seal damage.

Item No.	Part No.	Description	Qty.	Stocking Level
1	164184-001	1/2 HP / 60Hz motor	1	A
1	164184-002	1/2 HP / 50Hz motor, CE	1	A



For the most up-to-date parts information, visit
<https://parts.hennypennyhelp.com>.

Item No.	Part No.	Description	Qty.	Stocking Level
2	164323	5 GPM hub mounted filter pump assembly	1	A
3	-FP01-020	Hex socket plug, 1/4 NPT	1	
4	-SC01-132	Pump cover screw (qty. 50)	A/R	
5		Pump cover not sold separately		
6	-171169	Pump roller kit (set of 5), 5 GPM	1	A
7	-162498	Pump cover o-ring	1	A
8*	140598	Hub mount filter pump conversion hardware kit	1	
9*	168510	Motor shield, CE	1	
11*	FP01-340	Elbow, SAE 10 (pump inlet)	1	
12*	FP01-380	Elbow, SAE 10 male, SAE 12 female (pump outlet)	1	
13*	FP01-254	Elbow SAE 12, 45° flare (threads into FP01-380)	1	
10*	-173418-001	Fitting o-ring, SAE #6, 9/16-18 UNF	1	
10*	-173418-002	Fitting o-ring, SAE #8, 3/4-16 UNF	1	
10*	-173418-003	Fitting o-ring, SAE #10, 7/8-14 UNF	1	
10*	-173418-004	Fitting o-ring, SAE #12, 1 1/16-12 UNF	1	

Recommended Parts: A = Truck Stock; B = Dist. Stock

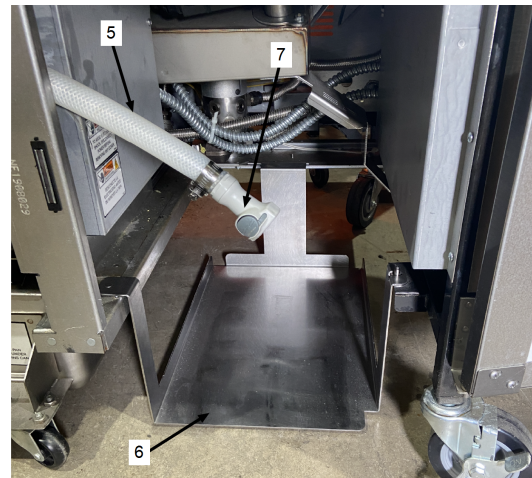
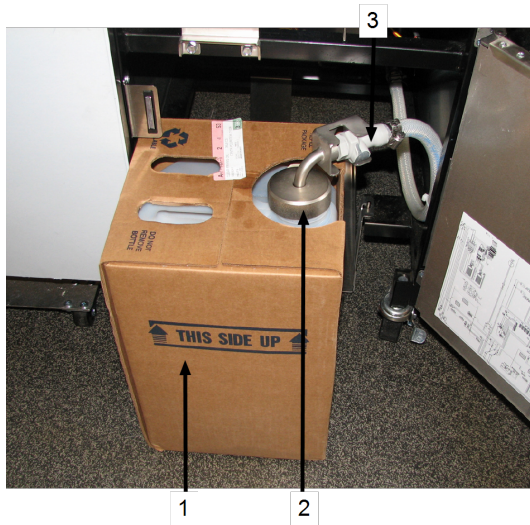
NOTE: Kit [140598](#) does NOT include filter pump or motor. It only includes hardware.

NOTE: Prime retrofit filter pump and motor fittings cannot be used with hub mounted filter pump and motor assembly. Mounting plate holes will not align.



For the most up-to-date parts information, visit <https://parts.hennypennyhelp.com>.

JIB Connection



Item No.	Part No.	Description	Qty.	Stocking Level
1	03617	Auto top off JIB (jug) accessory	1	
2	85738	JIB tube quick disconnect assembly (Includes item number 3 and 4)	1	B
2	85737	JIB tube quick disconnect assembly, CE (Includes item number 3 and 4)	1	B
3	FP05-017	- Quick disconnect, 3/8 in, male	1	A
4*	MS01-561	- JIB tube O-ring	1	A
5	89622-004	Reinforced silicone hose, 40.25	1	B
6	151704	JIB shelf	1	
7	FP05-016	Quick disconnect, 1/2 in, female	1	A



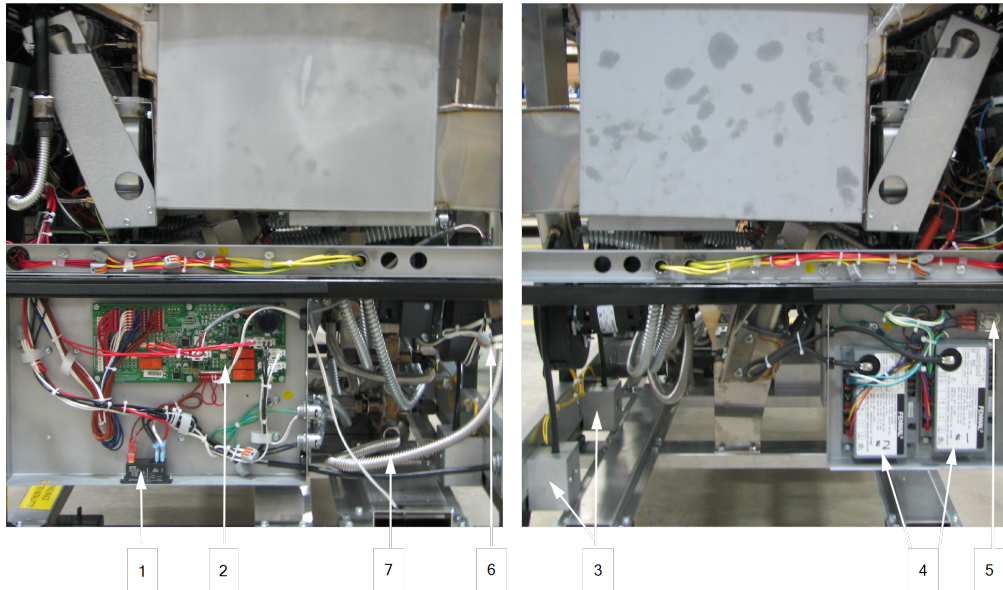
For the most up-to-date parts information, visit
<https://parts.hennypennyhelp.com>.

Item No.	Part No.	Description	Qty.	Stocking Level
8*	MS01-297	Hose clamp, SS	2	
Recommended Parts: A = Truck Stock; B = Dist. Stock * = Not Shown				



For the most up-to-date parts information, visit
<https://parts.hennypennyhelp.com>.

Behind Side Panels



Item No.	Part No.	Description	Qty.	Stocking Level
1	ME90-008	Relay, 12 VDC	1	A
2	85698	Common PC board, AIF selector valve	1	A
3	N/A	See Pressure Switch		
4	77839	Ignition module (UL)	2/vat	A
4	77602	Ignition Module (CE)	2/vat	A
5	60818	Relay, 24 VAC	1/vat	A
6	79213	30 psi transducer	1	A
7	77523-xxx	See Flex Tube table		



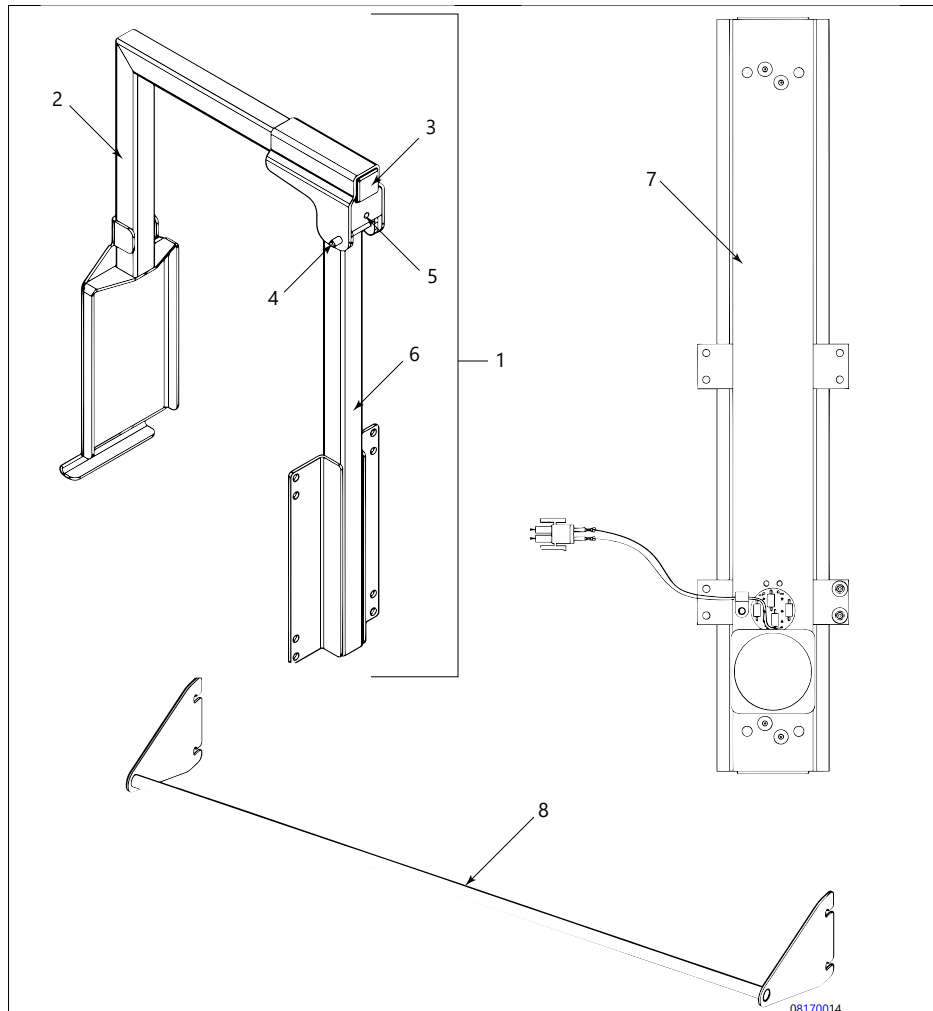
For the most up-to-date parts information, visit
<https://parts.hennypennyhelp.com>.

Item No.	Part No.	Description	Qty.	Stocking Level
8*	77923-03	Suppression (ignition) cable, 24 inch	1	
9*	90506-001	Vat fill check valve (before EEG 16X S/N ND2007001) (before EEG 241 S/N NX2006003) (before EEG 242, 243, 244 S/N NE2006038)	1/vat	A
9*	158282	Vat fill check valve (after EEG 16X S/N ND2007001) (after EEG 241 S/N NX2006003) (after EEG 242, 243, 244 S/N NE2006038)	1/vat	A
10*	EF02-104	Fuse holder, 20A, 250V	1	A
11*	FA52-010	Fuse, 1.0 AMP, 120V normal blo	1	A
11*	FA52-015	Fuse, 1.5 AMP, 230V	1	A
Recommended Parts: A = Truck Stock; B = Dist. Stock * = Not Shown				



For the most up-to-date parts information, visit <https://parts.hennypennyhelp.com>.

Auto Lift



Item No.	Part No.	Description	Qty.	Stocking Level
1	83982	Breakaway hinge assembly	2 full, 1 split	
2	84279	Hinged basket hanger assembly	2 full, 1 split	



For the most up-to-date parts information, visit
<https://parts.hennypennyhelp.com>.

Item No.	Part No.	Description	Qty.	Stocking Level
3	15212	Tubing square plug	2 full, 1 split	
4	83925	Hinge pin, 1/4 x 2.25 inch	2 full, 1 split	
4 *	MS01-578	Shim	6 full, 3 split	
5 *	SC01-267	Hex screw, 1/4-28 UNF x 1 inch, SS	2 full, 1 split	
5 *	NS01-018	Hex nut, 1/4-28 UNF, SS	2 full, 1 split	
6	83680	Breakaway hinge mounting assembly	2 full, 1 split	
7	85022	Auto lift actuator and connector assembly	2 full, 1 split	B
8	84470	Auto lift rear guard assembly (2 well)	1	
8	84913	Auto lift rear guard assembly (3 well)	1	
8	84918	Auto lift rear guard assembly (4 well)	1	
9*	140273	Auto lift actuator motor kit	A/R	
10*	140274	Auto lift actuator switch kit	A/R	

Recommended Parts: A = Truck Stock; B = Dist. Stock
 * = Not Shown
 A/R = As Required



For the most up-to-date parts information, visit
<https://parts.hennypennyhelp.com>.

Miscellaneous Kit Numbers

SiteSage Radio Kits

Kit Part No.	Kit Description	Part No.	Description	Qty.
140550	EEG-243 SiteSage radio kit	165689	SiteSage radio control	1
		165743	assembly	3
		77721	Control panel access cover,	2
		78057	RS485	1
140551	EEG-244 SiteSage radio kit	EF02-003	Harness, LW1-1, LW2-1, LW3-1	6
			Resistor connector assembly	
			Wire tie, 5 X 1/8	

Vat Replacement Kit Numbers

Part No.	Description
140289	Replacement full vat assembly kit for manual pull model 2xx
140599	Replacement split vat assembly kit for manual pull model 2xx
140600	Replacement full vat assembly kit for smart touch model 2xx
140601	Replacement split vat assembly kit for smart touch model 2xx



End guards are not included in vat replacement kits.
 Contact Henny Penny if vat warpage greater than 8mm is observed.



For the most up-to-date parts information, visit
<https://parts.hennypennyhelp.com>.

Gas Conversion Kits for Units (Black Blower Housing)

Made Before 11/2016

Part No.	Description	Qty.
140290	Natural to LP, full vat, less than 5000 ft	1/control
140291	LP to natural, full vat, less than 5000 ft	1/control
140325	Natural to LP, split vat, less than 5000 ft	1/control
140327	LP to natural, split vat, less than 5000 ft	1/control

Gas Conversion Kits for Units (Silver Blower Housing)

Made 11/2016 and After

Part No.	Description	Qty.
140541	Natural to LP, split vat, less than 5000 FT	1/control
140542	Natural to LP, full vat, less than 5000 FT	1/control
140543	Natural to LP, split vat, greater than 5000 FT	1/control
140544	Natural to LP, full vat, greater than 5000 FT	1/control
140545	LP to natural, split vat, less than 5000 FT	1/control
140546	LP to natural, full vat, less than 5000 FT	1/control
140547	LP to natural, split vat, greater than 5000 FT	1/control
140548	LP to natural, full vat, greater than 5000 FT	1/control

Gas Flex Tube Part Numbers

Part No.	Length (in.)	Stocking Level
184384-100	10.0	B



For the most up-to-date parts information, visit
<https://parts.hennypennyhelp.com>.

Part No.	Length (in.)	Stocking Level
184384-120	12.0	B
184384-130	13.0	B
184384-180	18.0	B
184384-240	24.0	B

Oil Flex Tube Part Numbers

Part No.	Length (in.)	Stocking Level
77523-001	12.0	B
77523-002	18.0	B
77523-003	24.0	B
77523-004	30.0	B
77523-005	36.0	B
77523-006	42.0	B
77523-007	48.0	B
77523-008	7.0	B
77523-009	13.0	B
77523-011	10.0	B
77523-012	8.0	B
77523-013	21.0	B



For the most up-to-date parts information, visit
<https://parts.hennypennyhelp.com>.

Gas Hose Accessories

03747



03759



03757



03750



03752



Part No.	Description	Qty.
03747	Gas valve kit, 3/4 in diameter x 48 in long, EEG 242	1
161559	Valve, 3/4 in NPT, quick disconnect (Q.D. only, no gas line)	A/R
03759	Gas valve kit, 1 in diameter x 60 in long, EEG 162, 163, 164	1
03757	Gas valve kit, 1 in diameter x 48 in long, EEG 153, 154	1



For the most up-to-date parts information, visit
<https://parts.hennypennyhelp.com>.

Part No.	Description	Qty.
	/ EEG 242, 243, 244 / EEG 253, 254	
160329	Valve, 1 in NPT, quick disconnect (Q.D. only, no gas line)	A/R
03750 (N/A)	Gas valve kit, 1/2 in diameter x 48 in long (No longer available through Henny Penny.)	1
03752	Gas valve kit, 3/4 in diameter x 36 in long	1

Selector Valve/Solenoid Valve Kit Numbers

Kit Part No.	Kit Description	Part No.	Description
140769	EE solenoid repair kit (SN prefixes NA, NB, NW, NX, NY, and NZ)	-21611 -21612 -164144	3/4 inch male disconnect
140347	Bulk dispose solenoid valve kit, 120 VAC (SN prefixes NA, NB, NW, NX, NY, and NZ)		3/4 inch female disconnect
140348	Bulk dispose solenoid valve kit, 230 VAC (SN prefixes NA, NB, NW, NX, NY, and NZ)		Oil discard hose
140570	Bulk dispose selector valve kit (SN prefixes ND, NE, and NF)		
140307	Bulk dispose/fill solenoid valve kit, 120 VAC (SN prefixes NA, NB, NW, NX, NY, and NZ)	-84987	
140353	Bulk fill solenoid valve kit, 120 VAC (SN prefixes NA, NB, NW, NX, NY, and NZ)	-84987	



For the most up-to-date parts information, visit
<https://parts.hennypennyhelp.com>.

Kit Part No.	Kit Description	Part No.	Description
140354	Bulk fill solenoid valve kit, 230 VAC (SN prefixes NA, NB, NW, NX, NY, and NZ)	-84987	
140572	Bulk fill selector valve kit (SN prefixes ND, NE, and NF)	-84987	
140647	Bulk fill and Dispose selector valve kit, 16X/24X (SN prefixes ND, NE, and NF)		

Miscellaneous Parts and Kits

Part No.	Description
140282	Oil test and clean out kit model 16x
14736	Fryer supply kit
-21611	3/4 inch male disconnect
-21612	3/4 inch female disconnect
-21753	Oil discard hose
140473	Fryer utensil holder kit
-83790	Basket hanger
-83791	Holder accessory
140071	Tether kit
140692	EEG German label kit
140693	EEG French label kit
140694	EEG Italian label kit



For the most up-to-date parts information, visit
<https://parts.hennypennyhelp.com>.

Part No.	Description
140612	Full vat pull handle drain replacement kit
140613	Split vat pull handle replacement kit
03617	JIB (Jug) auto top-off accessory
140680	EEG 243/244 to FDS 210 joining kit
140681	EEG 242 to FDS 210 joining kit