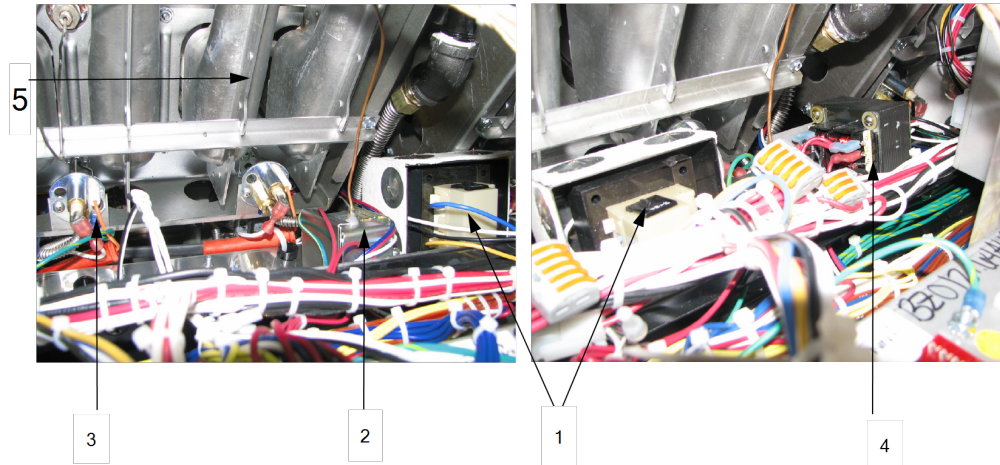




For the most up-to-date parts information, visit <https://parts.hennypennyhelp.com>.

Electrical Components



Item No.	Part No.	Description	Qty.	Stocking Level
1	86086	Transformer, 120 VAC/24VAC, 24" wire length	1/control	A
1	86087	Transformer, 240 VAC/24VAC, 24" wire length	1/control	A
2	16738	High limit, 450°F	1/control	A
3	140296	Pilot assembly, natural	2/control	A
3	140297	Pilot assembly, LP	2/control	A
4	TS22-012	AIF transformer	1	A
5	77941-XXX	Burner assembly, full vat	1/control	
5	77942-XXX	Burner assembly, split vat	2/control	
6*	81553	Heat exchanger muffle	4/control	
7*	81554	Heat exchanger wedge	4/control	



For the most up-to-date parts information, visit
<https://parts.hennypennyhelp.com>.

Item No.	Part No.	Description	Qty.	Stocking Level
8*	140086	Gas conversion kit, natural to LP, split vat	1/vat	
8*	140087	Gas conversion kit, natural to LP, full vat	1/vat	
8*	140088	Gas conversion kit, LP to natural, split vat	1/vat	
8*	140089	Gas conversion kit, LP to natural, full vat	1/vat	
Recommended Parts: A = Truck Stock; B = Dist. Stock * = Not Shown				

Full Vat Burner/Orifice Chart

Burner Part No.	Orifice Part No.	Qty.	Orifice Drill Size (Orifice Diameter)	Gas Type	Altitude
77941-001	76921-001	4	#45 (.082)	Natural I2H, I2E	<5301
77941-002	76921-002	4	1.30 mm (.0512)	Propane I3P	
77941-003	76921-003	4	#44 (.086)	Natural	All
77941-004	76921-004	4	#43 (.089)	Natural	
77941-005	76921-005	4	#42 (.0935)	I2S	5302 - 7701
77941-006	76921-006	4	#51 (.067)	I2E+	7702 - 10101
77941-007	76921-007	4	2.30 mm (.0906)	I2L, I2HS	
77941-008	76921-008	4	1.25 mm (.0492)	I3B/P	



For the most up-to-date parts information, visit
<https://parts.hennypennyhelp.com>.

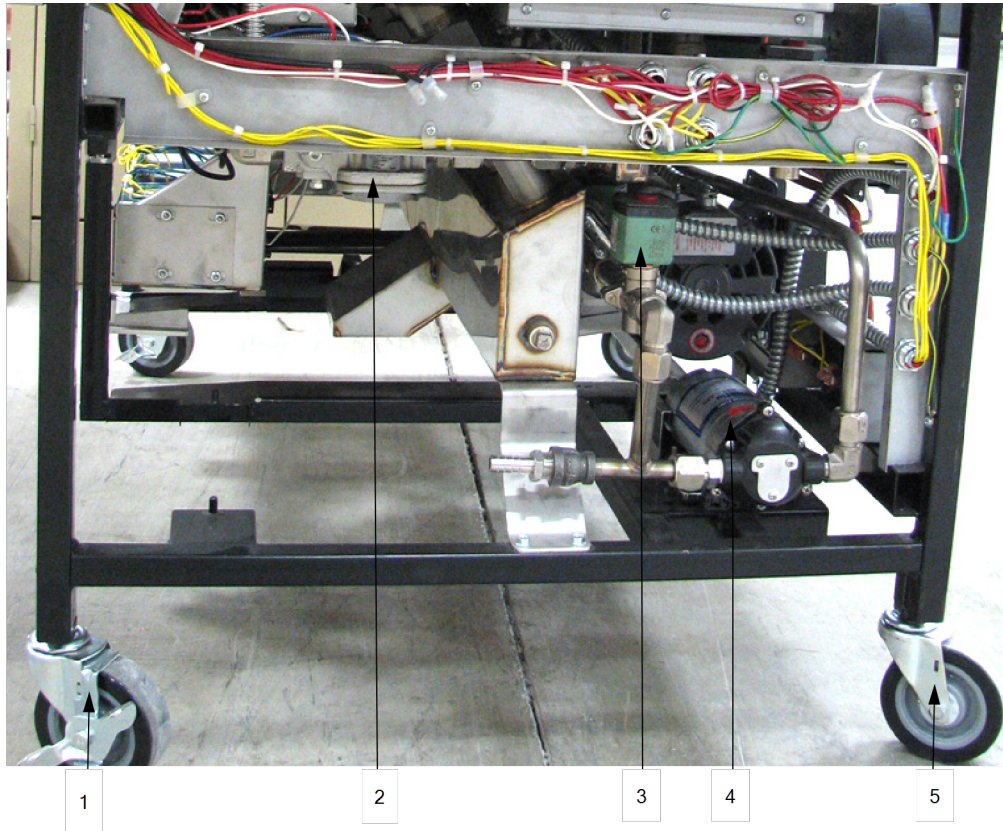
Split Vat Burner/Orifice Chart

Burner Part No.	Orifice Part No.	Qty.	Orifice Drill Size (Orifice Diameter)	Gas Type	Altitude
77942-001	76921-001	2	#45 (.082)	Natural I2H, I2E	<5301
77942-002	76921-002	2	1.30 mm (.0512)	Propane I3P	
77942-003	76921-003	2	#44 (.086)	Natural	All
77942-004	76921-004	2	#43 (.089)	Natural	
77942-005	76921-005	2	#42 (.0935)	I2S	5302 - 7701
77942-006	76921-006	2	#51 (.067)	I2E+	7702 - 10101
77942-007	76921-007	2	2.30 mm (.0906)	I2L, I2HS	
77942-008	76921-008	2	1.25 mm (.0492)	I3B/P	



For the most up-to-date parts information, visit <https://parts.hennypennyhelp.com>.

Right Panel Removed



Item No.	Part No.	Description	Qty.	Stocking Level
1	77575	Caster with brake, 4 inch	2	C
2		See Gas Valve Assemblies		
3	151744	Solenoid valve, 120 VAC, 1/2 NPT	2	A
3	-140229	Solenoid repair kit	1	



For the most up-to-date parts information, visit
<https://parts.hennypennyhelp.com>.

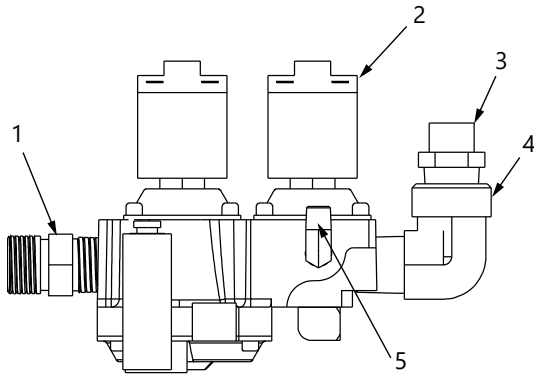
Item No.	Part No.	Description	Qty.	Stocking Level
3	154048	Solenoid valve, 220-240 VAC, 1/2 NPT	2	A
3	-140769	Solenoid repair kit	1	
4	97599	JIB pump retrofit service pack, 120 VAC (5/2015 & Before)	1	
4	153417-001	- JIB pump, 120 VAC (5/2015 & After)	1	A
4	97600	JIB pump retrofit service pack, 208-240 VAC (5/2015 & Before)	1	
4	153417-002	- JIB pump, 208-240 VAC (5/2015 & After)	1	A
5	77679	Caster, 4 inch	2	C
6*	54225	Leg insert	4	
Recommended Parts: A = Truck Stock; B = Dist. Stock * = Not Shown				



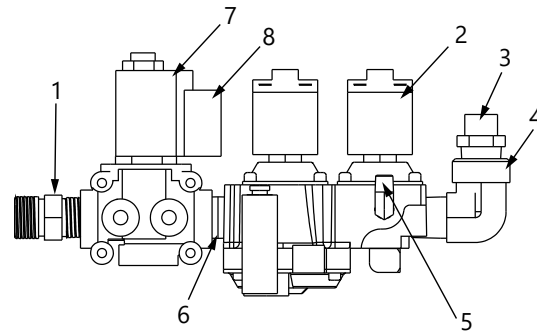
For the most up-to-date parts information, visit
<https://parts.hennypennyhelp.com>.

Gas Valve Assemblies

Non-CE Gas Valve Assembly



CE Gas Valve Assembly



Item No.	Part No.	Description	Qty.	Stocking Level
1	16807	Male connector fitting, 1/2 NPT X 5/8 inch OD tube	1	
2	78118	Gas control valve, 24 VAC, natural	1	A
2	78517	Gas control valve, 24 VAC, LP	1	A
3	FP01-211	Male connector, 1/2 inch tube to 1/2 NPT	1	
4	16239	Street elbow, 90 degrees, 1/2 NPT	1	
5	FP05-004	Elbow, 90 degrees, 1/8 NPT X 1/4 inch OD tube	2	
6	FP01-028	Pipe nipple, 1/2 NPT, SS	1	
7	176159	Solenoid valve service pack, 24 VAC, CE	1	A
8				



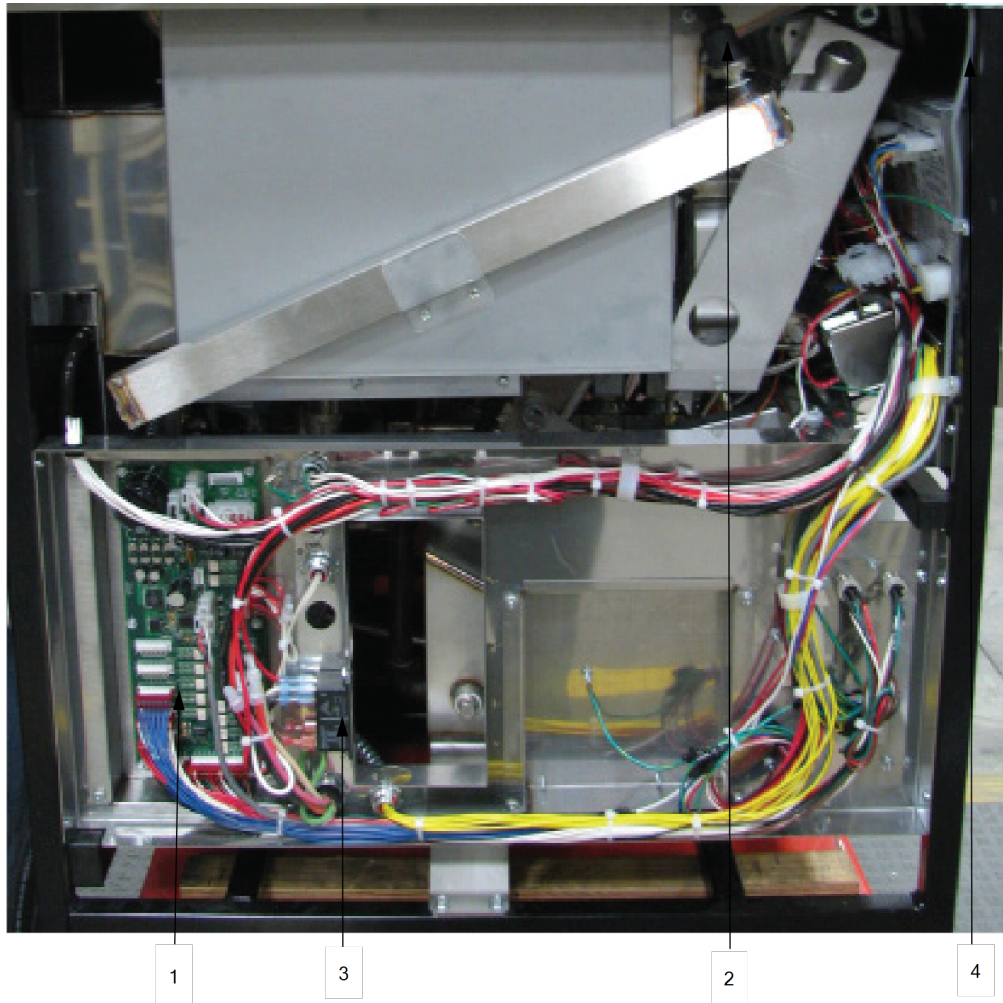
For the most up-to-date parts information, visit
<https://parts.hennypennyhelp.com>.

Item No.	Part No.	Description	Qty.	Stocking Level
9*	03757	Gas 2 Swivel Line & Install assembly, 1 inch; diameter X 48 inch length	1	
	160329	Valve, 1 in NPT, quick disconnect (Q.D. only, no gas line)	A/R	
10*	03747	3/4 inch diameter x 48 inch long gas valve kit	1	
11*	161559	Quick disconnect valve, 3/4 NPT	A/R	
Recommended Parts: A = Truck Stock; B = Dist. Stock * = Not Shown				



For the most up-to-date parts information, visit
<https://parts.hennypennyhelp.com>.

AIF PC Board Assembly



Item No.	Part No.	Description	Qty.	Stocking Level
1	85698	Common AIF PC board	1	A
2	79213	Pressure transducer	1	A
3	ME90-008	Pump motor relay, 12VDC	1	A



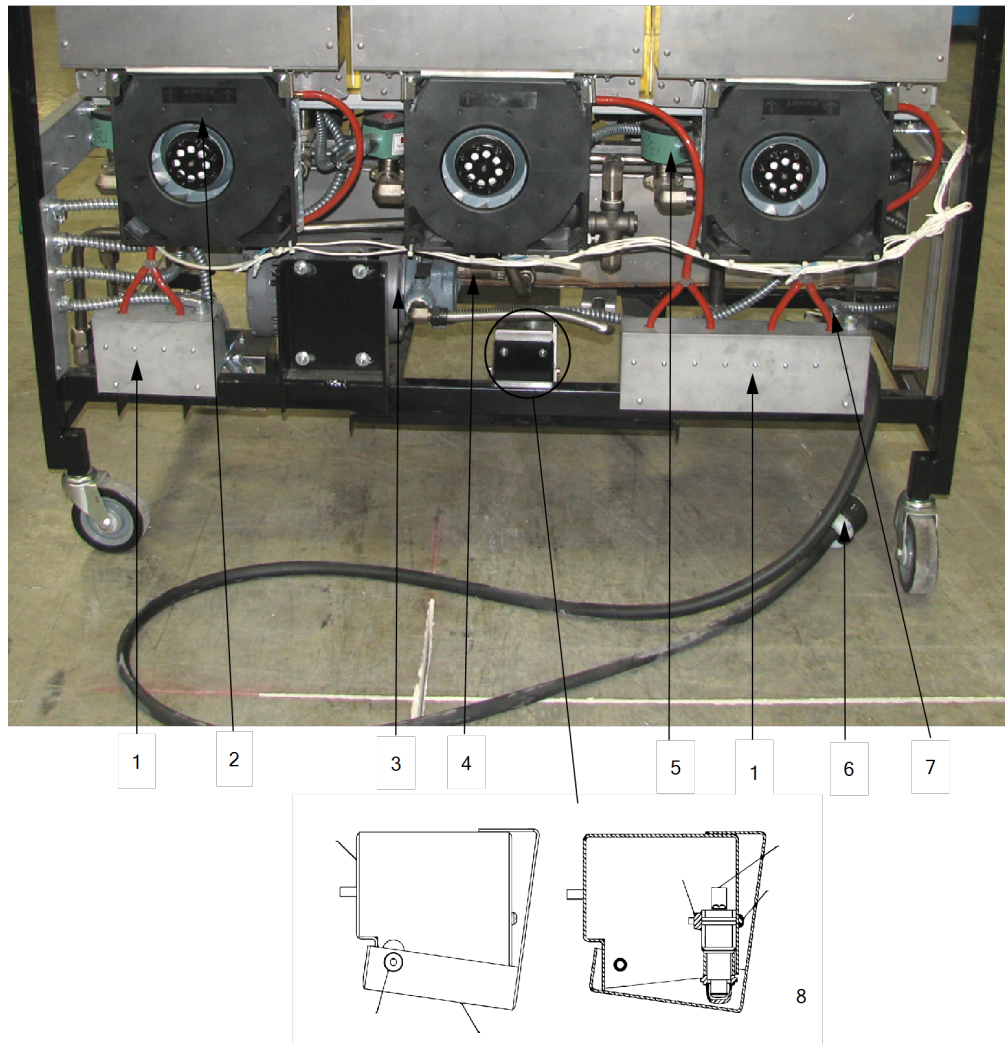
For the most up-to-date parts information, visit
<https://parts.hennypennyhelp.com>.

Item No.	Part No.	Description	Qty.	Stocking Level
4	84384-001	Pressure transducer harness	1	
5 *	51065	EMC filter board assembly	1	B
6 *	80373	Terminal power block, CE	1	
Recommended Parts: A = Truck Stock; B = Dist. Stock * = Not Shown				



For the most up-to-date parts information, visit
<https://parts.hennypennyhelp.com>.

Blower Motor Assemblies



Item No.	Part No.	Description	Qty.	Stocking Level
1	140939	Kit - pressure switch, 80 in. WC (behind cover)	1/vat	A
2	77826-001	Blower motor, 240VAC	1/vat	A
2	77826-002	Blower motor, 120VAC	1/vat	A



For the most up-to-date parts information, visit
<https://parts.hennypennyhelp.com>.

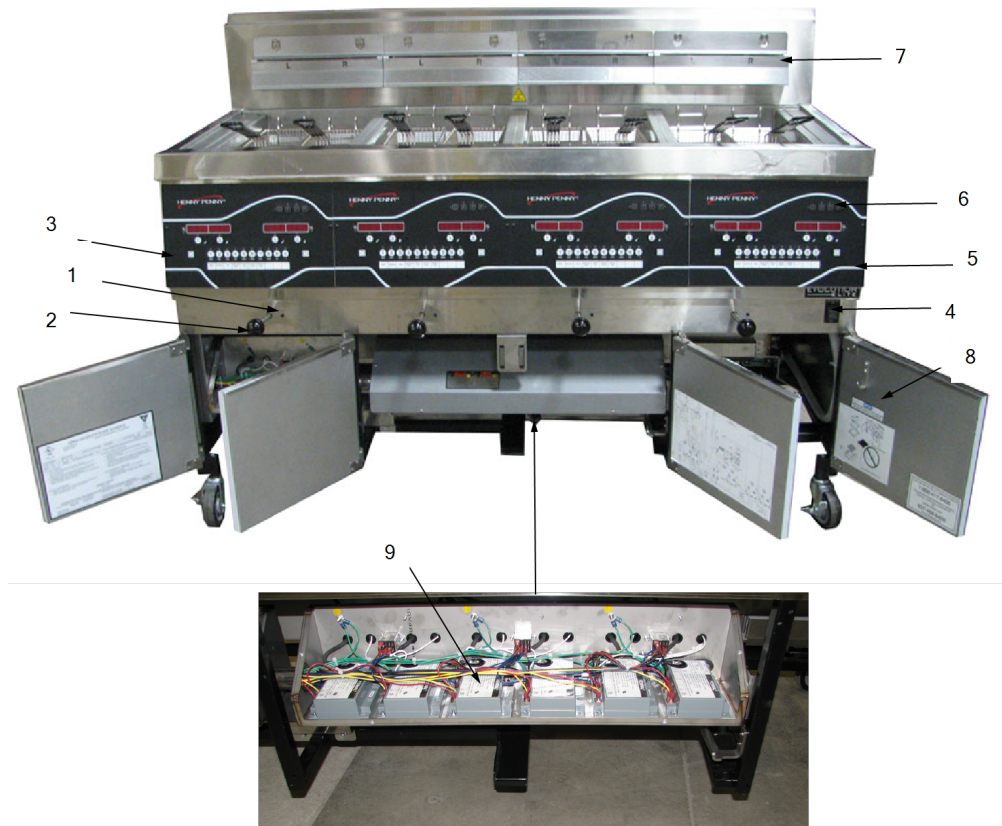
Item No.	Part No.	Description	Qty.	Stocking Level
3		See Pump and Motor Assembly	1	
4	74469	Check valve, 1/2 NPT	1/vat	A
5	151744	Solenoid valve, 120VAC	1/vat	A
5	154048	Solenoid valve, 240VAC	1/vat	A
5	140769	Solenoid repair kit	A/R	
6	73517	Power cord assembly, 120VAC	1	
7	79443-1	Pressure switch tube, 2.5 inch	A/R	
7	79443-2	Pressure switch tube, 13 inch	A/R	
7	79443-3	Pressure switch tube, 19 inch	A/R	
7	79443-4	Pressure switch tube, 16 inch	A/R	
7	79443-5	Pressure switch tube, 26 inch	A/R	
7	79443-6	Pressure switch tube, 14 inch	A/R	
8	80148	Drain switch with boot assembly	1	A
9*	MS01-572	Loctite primer, 0.8 oz can	1	A
10*	77293	Flue insulation, split vat	2/vat	
10*	77294	Flue insulation, full vat	1/vat	
11*	FP01-213	Hose barb fitting, 1/4, split vat		

Recommended Parts: A = Truck Stock; B = Dist. Stock
 * = Not Shown



For the most up-to-date parts information, visit <https://parts.hennypennyhelp.com>.

Front View



Item No.	Part No.	Description	Qty.	Stocking Level
1	81980	LED - 5 mm blue	1/control	
2	16101	Spindle knob, black	1/control	
3	91671	Left side panel	1	
4	52224	Power switch	1	A
5	91670	Right side panel	1	
6		See Control Assembly		



For the most up-to-date parts information, visit
<https://parts.hennypennyhelp.com>.

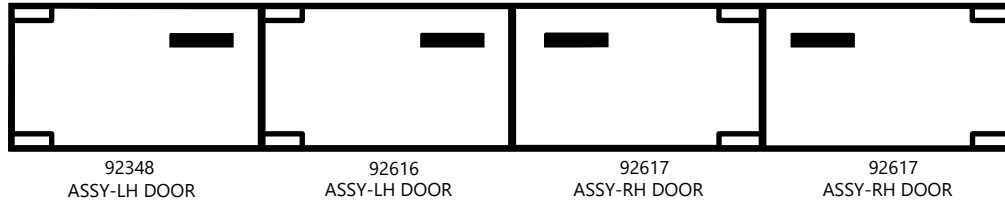
Item No.	Part No.	Description	Qty.	Stocking Level
6*	03646	Full vat cover	1/control	
7	151171	Basket hanger, EEG-153/154	1/control	
8	91711	Card holder hook	1	
9	77839	Ignition module, UL	2/control	A
9	77602	Ignition module, CE	2/control	A
10*	60818	Ignition relay, 24 VAC, full vat only	1/control	A
	12199	Oil test kit	A/R	
Recommended Parts: A = Truck Stock; B = Dist. Stock * = Not Shown				



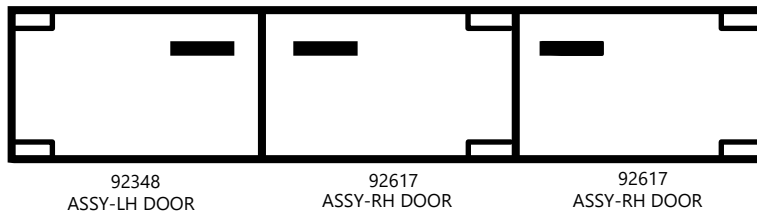
For the most up-to-date parts information, visit
<https://parts.hennypennyhelp.com>.

Door Assembly

EEG/EEE-154 Door Break Down



EEG/EEE-153 Door Break Down

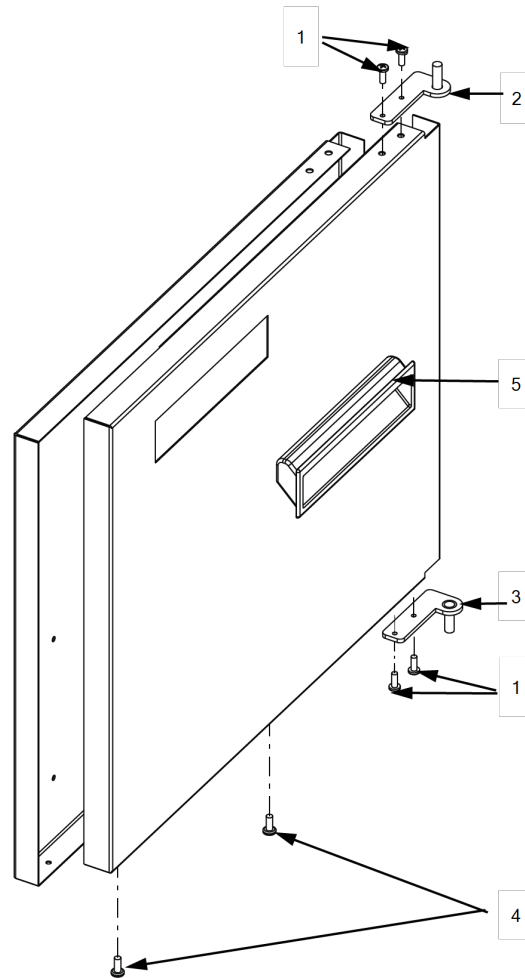


Door Part No.	Top Hinge (Frame)	Top Hinge (Door)	Bottom Hinge (Door)	Bottom Hinge (Frame)	Bushing
92348	92080	92342	92340	92079	39752
92617	92620	92618	92619	92621	39752
92616	92080	92342	92340	92079	39752



For the most up-to-date parts information, visit <https://parts.hennypennyhelp.com>.

Door Parts



Item No.	Part No.	Description	Qty.	Stocking Level
1	SC04-003	Screw, #8-32, CT, PHD, SS (qty. 50)	4	
2	-	Top Hinge (Door), See Door Assembly table	-	
3	-	Bottom Hinge (Door), See Door Assembly table	-	
4	SC04-003	Screw, #8-32, CT, PHD, SS (qty. 50)	3	



For the most up-to-date parts information, visit
<https://parts.hennypennyhelp.com>.

Item No.	Part No.	Description	Qty.	Stocking Level
5	41836	Door handle	1	
6*	SC01-234	Flat head hinge screw, #8-32, CT, FHD (hinge to frame) (qty. 50)	A/R	
7*	17002	Door magnet	1/vat	



For the most up-to-date parts information, visit
<https://parts.hennypennyhelp.com>.

Temperature Probe Assembly



Item No.	Part No.	Description	Qty.	Stocking Level
1*	76982	Full vat rack	1/control	B
2	77061	High limit guard	1/control	
3	14974	Level sense probe, 2.5 inch	2/control	A



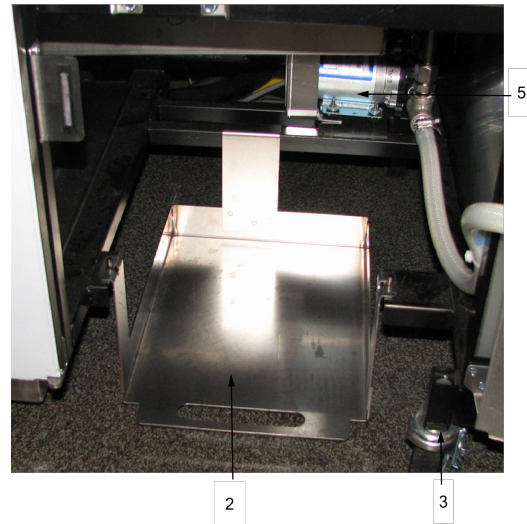
For the most up-to-date parts information, visit
<https://parts.hennypennyhelp.com>.

Item No.	Part No.	Description	Qty.	Stocking Level
4	14974	Temperature probe, 2.5 inch	1/control	A
Recommended Parts: A = Truck Stock; B = Dist. Stock * = Not Shown				



For the most up-to-date parts information, visit <https://parts.hennypennyhelp.com>.

BIB System



Item No.	Part No.	Description	Qty.	Stocking Level
1	154068	EEE 152,153,154 BIB tube and quick disconnect assembly	1	
1	181653	EEE 152,153,154 BIB tube and quick disconnect assembly, CE	1	
1*	FP05-017	- Quick disconnect, male, 3/8 inch	1	A
1*	MS01-561	-- O-ring, 3/8 inch	1	A
2	85966	BIB shelf weld assembly	1	
3	81513	Hose assembly	1	B
3*	-FP05-016	- Quick disconnect, female, 1/2 inch	1	A
3*	-MS01-297	-Hose clamp, SS	2	



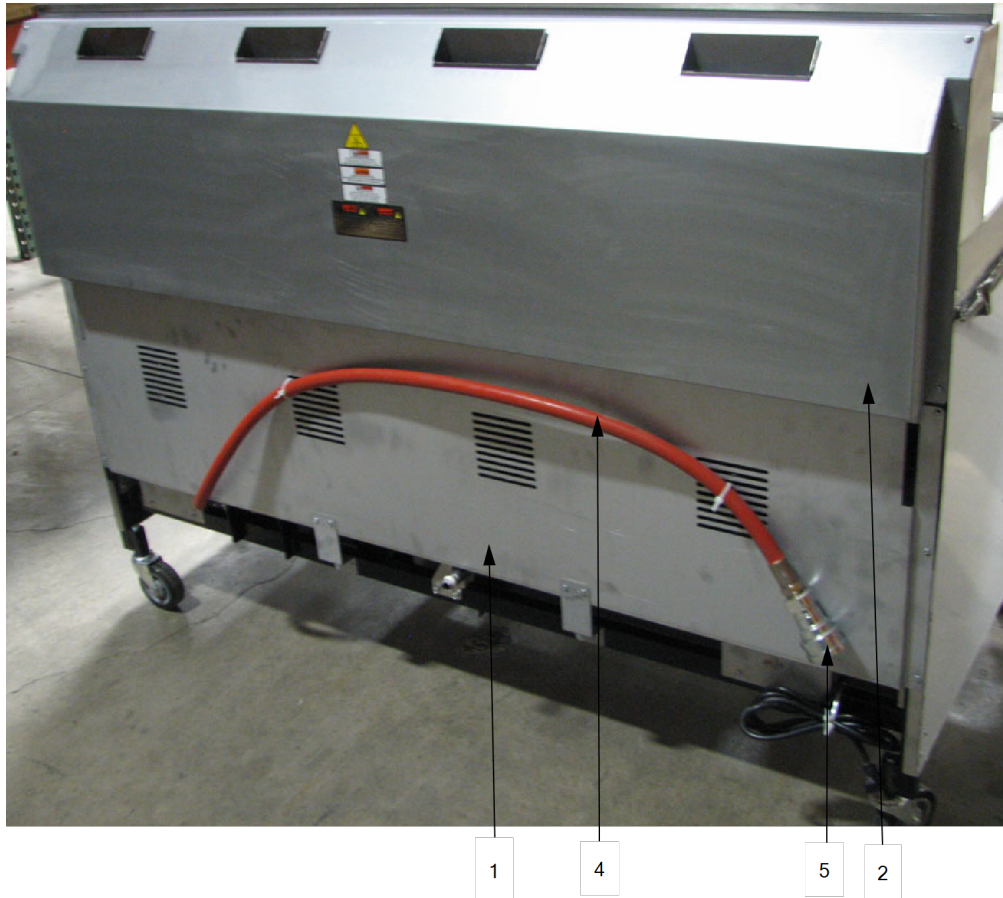
For the most up-to-date parts information, visit
<https://parts.hennypennyhelp.com>.

Item No.	Part No.	Description	Qty.	Stocking Level
3*	-FP01-228	-Barbed fitting, 1/2 in. hose, 3/8 NPT, nylon	1	
5		JIB/BIB pump, See Right Side Panel Removed		
Recommended Parts: A = Truck Stock; B = Dist. Stock * = Not Shown				



For the most up-to-date parts information, visit <https://parts.hennypennyhelp.com>.

Rear View



Item No.	Part No.	Description	Qty.	Stocking Level
1	86378	Rear shroud cover, EEG 153	1	
1	86414	Rear shroud cover, EEG 154	1	
2	84161	Lower rear cover, EEG 153	1	
2	84162	Lower rear cover, EEG 154	1	
3*	140101	Bulk dispose kit, 120 VAC	1	



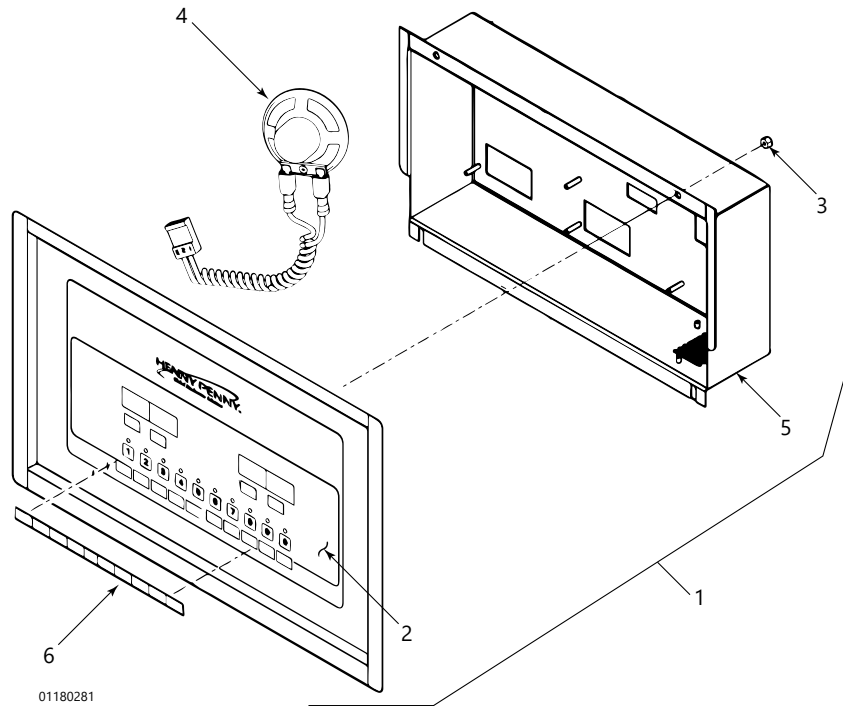
For the most up-to-date parts information, visit
<https://parts.hennypennyhelp.com>.

Item No.	Part No.	Description	Qty.	Stocking Level
3*	140102	Bulk dispose kit, 230 VAC	1	
4	67662	- Dispose hose assembly	1	
5	21612	- - Female disconnect	1	
Recommended Parts: A = Truck Stock; B = Dist. Stock * = Not Shown				



For the most up-to-date parts information, visit <https://parts.hennypennyhelp.com>.

Control Panel Assembly



Item No.	Part No.	Description	Qty.	Stocking Level
1	140402	SmartTouch automatic drain control kit with thumb drive, GM	1 /control	B
1	140467	Wendy's control kit, manual drain	1 /control	B
2	81354	Control decal	1 /control	
3	NS02-005	Hex keps nut, 6-32 UNC	23 /control	
4	26974	Speaker assembly	1 /control	A



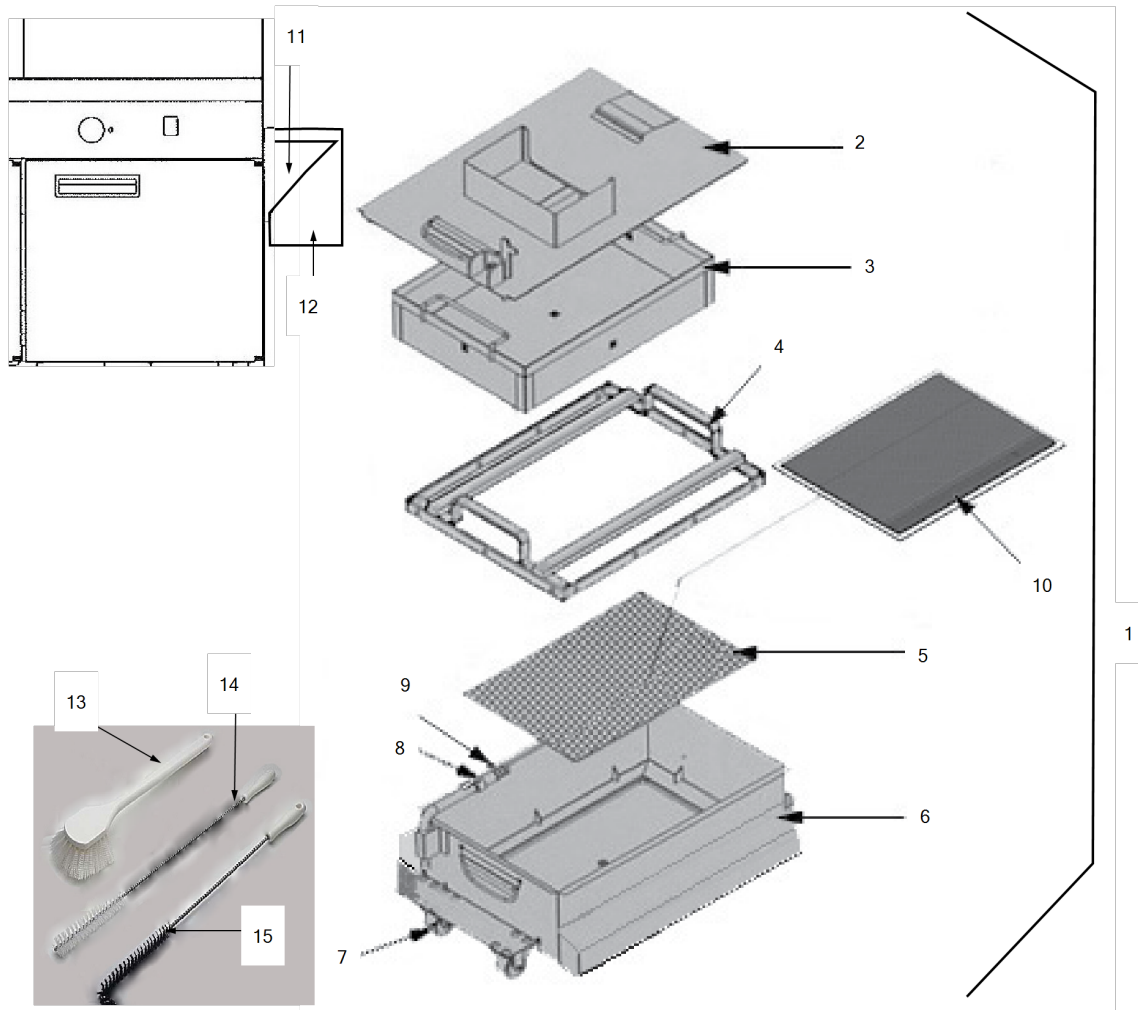
For the most up-to-date parts information, visit
<https://parts.hennypennyhelp.com>.

Item No.	Part No.	Description	Qty.	Stocking Level
5	82085	Control panel cover stud assembly	1 /control	
6	86293	Menu card, Wendy's	1 /control	
7 *	MS01-571	Terminal extractor tool	1	A
8*	82326	Menu card tool	1	
Recommended Parts: A = Truck Stock; B = Dist. Stock * = Not Shown / CTRL = Control x : EEE 141 = 1; EEE 142 = 2; EEE 143 = 3; EEE 144 = 4				



For the most up-to-date parts information, visit <https://parts.hennypennyhelp.com>.

Filter Pan Assembly, Brushes, and Accessory Holder



Item No.	Part No.	Description	Qty.	Stocking Level
1	91130	Wide filter pan assembly	1	
2	-82673	- Filter pan cover	1	
3	-163322	- Crumb catcher	1	
4	-89416	- Filter weight	1	



For the most up-to-date parts information, visit
<https://parts.hennypennyhelp.com>.

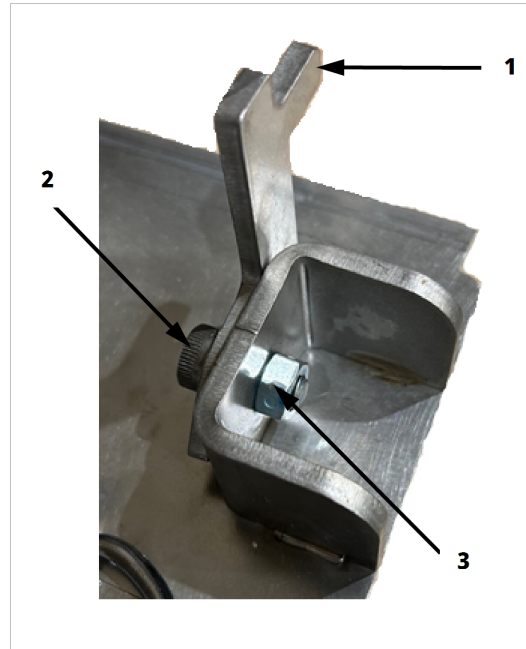
Item No.	Part No.	Description	Qty.	Stocking Level
5	-89420	- Filter screen	1	
6	-93128	- Wide filter pan with casters	1	
7	-19004	- Caster	4	
7	-SC01-009	- Caster screw, 1/4-20	16	
8	-85397	-Pickup tube adapter, EEG, EEE 153, 154	1	
9	74189	-Pickup tube O-ring, EEE 151, 152, (qty 10)	A/R	
9	-85401	-Pickup tube O-ring, EEE 153, 154, (qty 10)	3	A
10	-	Filter pad/envelope (ordered through Wendy's supplier)	1	
11	83790	Accessory holder bracket	1	
12	83791	Accessory holder	1	
13	12116	White long handle brush	1	B
14	12112	Straight white brush	1	B
15	12126	Black L-shaped brush	1	B

Recommended Parts: A = Truck Stock; B = Dist. Stock
*** = Not Shown**



For the most up-to-date parts information, visit <https://parts.hennypennyhelp.com>.

Filter Pan Lid Latch Assembly

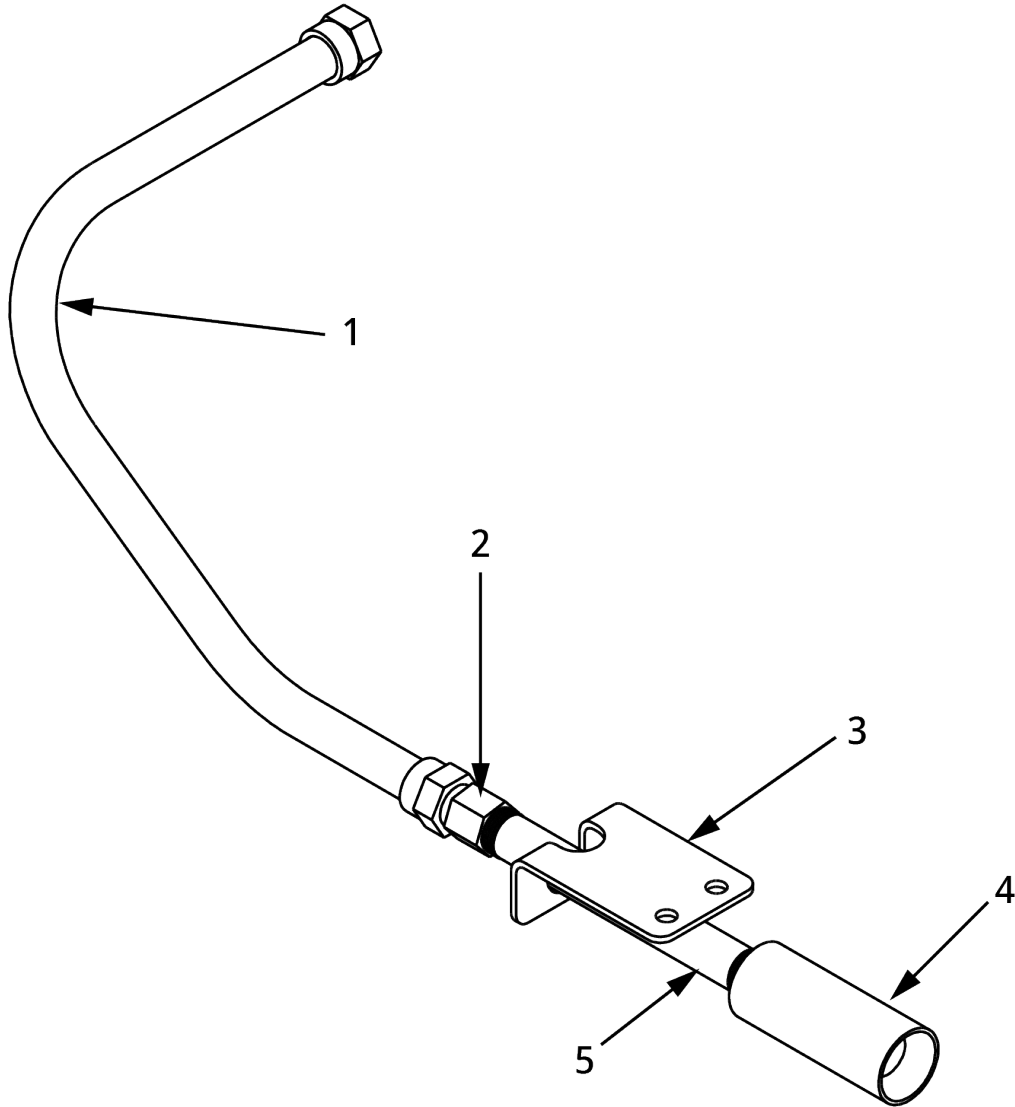


Item No.	Part No.	Description	Qty.	Stocking Level
1	76575	Pan lid latch	1	
2	SC06-073	Pan lid latch bolt	1	
3	NS03-066	Pan lid latch nut	1	
4	WA01-035	Pan lid latch washer	1	
Recommended Parts: A = Truck Stock; B = Dist. Stock				



For the most up-to-date parts information, visit <https://parts.hennypennyhelp.com>.

Suction Tube Assembly



Item No.	Part No.	Description	Qty.	Stocking Level
1	77523-002	Suction tube, 18 inch length	1	
2	FP01-206	Female connector, 3/8 NPT, 45° flare	1	



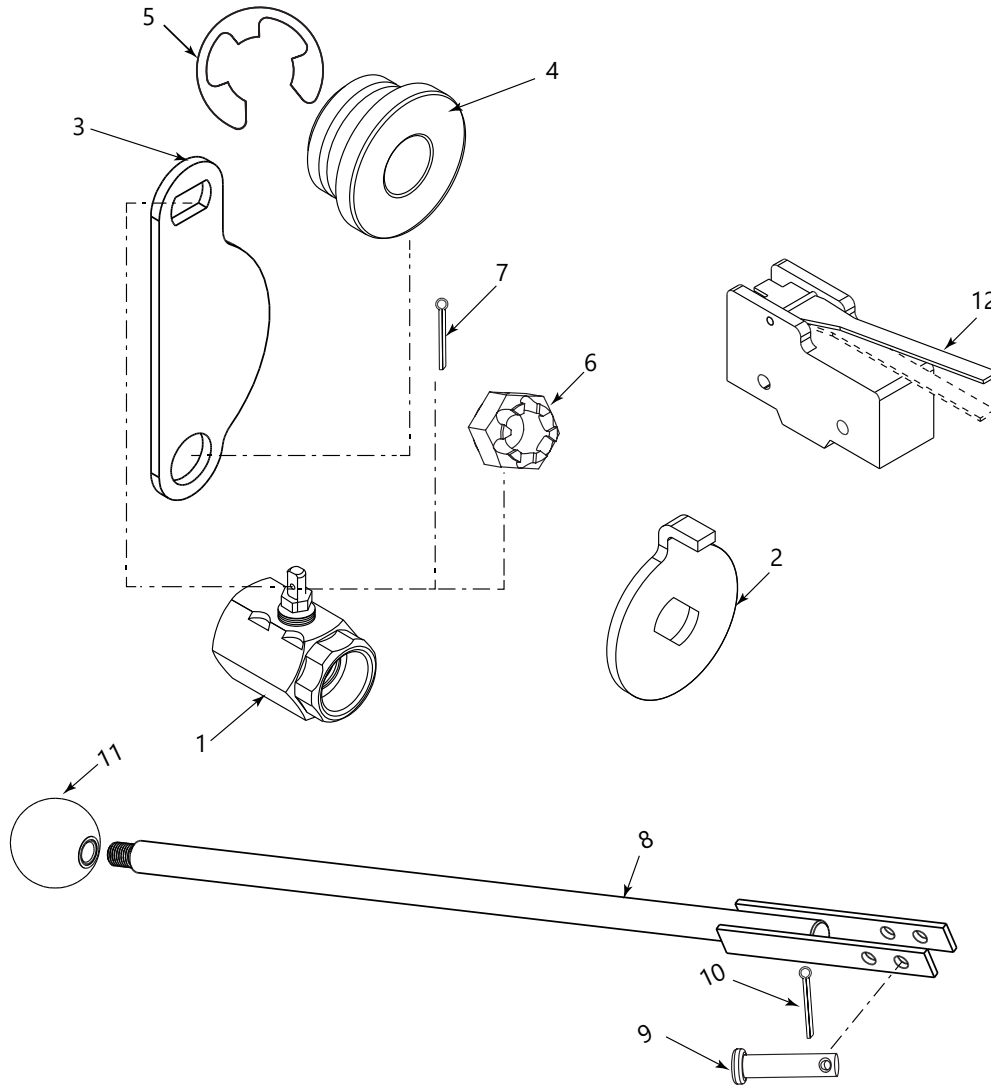
For the most up-to-date parts information, visit
<https://parts.hennypennyhelp.com>.

Item No.	Part No.	Description	Qty.	Stocking Level
3	77259	Plug and play bracket	1	
4	77248	Tube end adapter	1	
5	FP01-204	Nipple, 3/8 NPT, 6 inch length, black	1	
Recommended Parts: A = Truck Stock; B = Dist. Stock * = Not Shown				



For the most up-to-date parts information, visit
<https://parts.hennypennyhelp.com>.

Manual Drain Valve



Item No.	Part No.	Description	Qty.	Stocking Level
1	76095	Drain valve, 1 1/2 NPT cam lock	1 /vat	B



For the most up-to-date parts information, visit
<https://parts.hennypennyhelp.com>.

Item No.	Part No.	Description	Qty.	Stocking Level
1*	76948	Drain valve o-ring	1/vat	
2	81573	Pull handle pivot stop, full or right split only	1 /vat	
3	83141	Drain handle pivot	1 /vat	
4	78591	Bushing actuator pivot	1 /vat	
5	RR01-004	Retaining ring, 1/2 inch	1 /vat	
6	NS03-103	Castle nut, 1/2-20 UNF, 18-8 SS	1 /vat	
7	17255	Cotter pin, SS	1 /vat	
8	83433	Drain rod weld assembly	1 /vat	
9	PN01-031	Clevis pin, 1/4 X 1 inch, SS	1 /vat	
10	17255	Cotter pin, SS	1 /vat	
11	16101	Spindle knob, black	1 /vat	
12	50764	Rigid lever microswitch	1 /vat	
13*	140176	Drain valve, castle nut kit, full or right split only	A/R	

Recommended Parts: A = Truck Stock; B = Dist. Stock

*** = Not Shown**

A/R = As Required

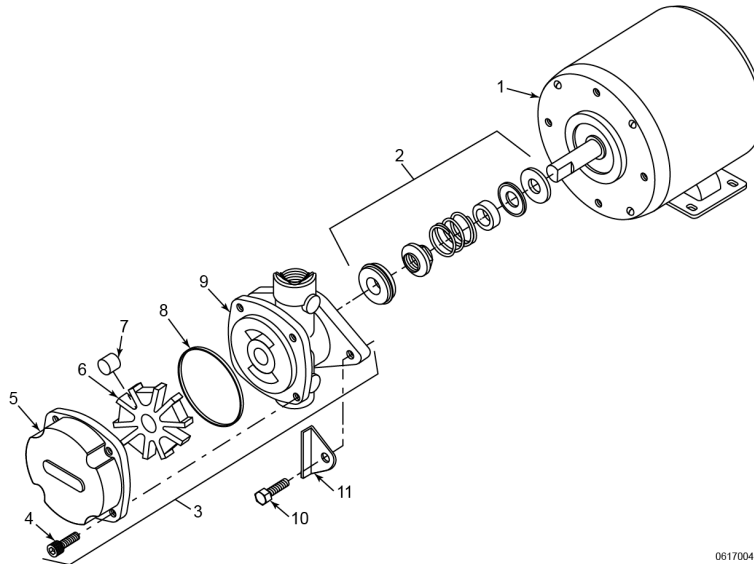


For the most up-to-date parts information, visit
<https://parts.hennypennyhelp.com>.

Filter Pump and Motor Assemblies

Flange Mount Filter Pump Motor Assembly

Included in Original Manufactured Assembly



06170040

Item No.	Part No.	Description	Qty.	Stocking Level
1	67583	Motor, 1/2 HP, 60 Hz	1	A
2	17476	Seal kit	1	A
3	171168	5 GPM pump assembly	1	B
4	SC01-132	- Pump cover screw	1	
5	171171	- Pump cover	1	
6	171170	- Pump rotor	1	
7	171169	- Pump roller (set of 5)	1	A
8	162498	- O-ring	1	B



For the most up-to-date parts information, visit
<https://parts.hennypennyhelp.com>.

Item No.	Part No.	Description	Qty.	Stocking Level
9	N/A	Pump body not sold separately. Use 171168 .		
10	SC01-026	Pump motor shield screw	1	
11	83142	Pump motor shield, CE	1	
Recommended Parts: A = Truck Stock; B = Dist. Stock				



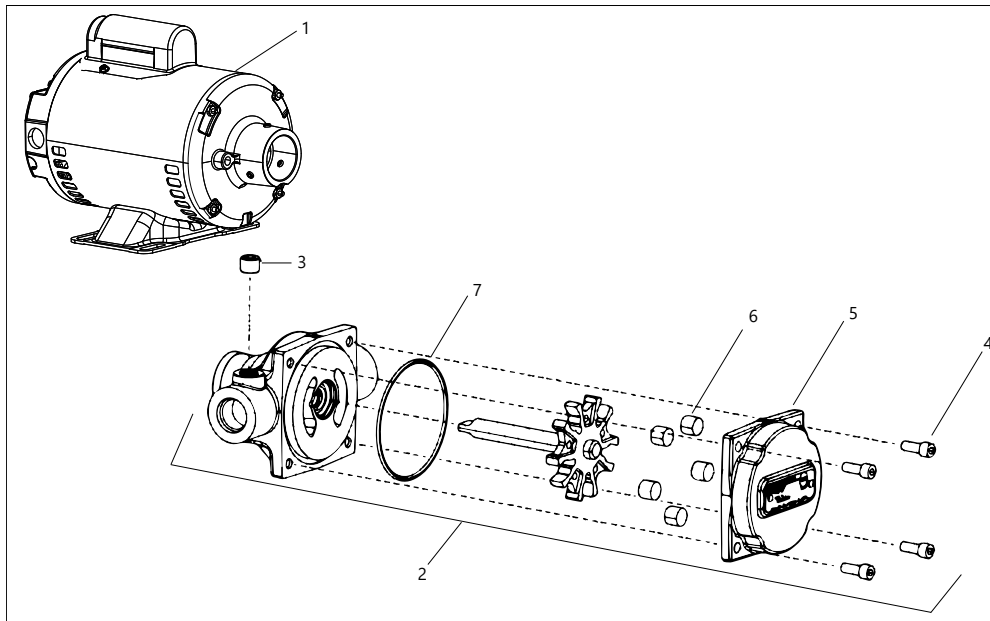
For the most up-to-date parts information, visit
<https://parts.hennypennyhelp.com>.

Hub Mount Filter Pump Motor Assembly

Not Included in Original Manufactured Assembly



Units may be converted to Hub Mount Design as an upgrade.



NOTICE - Do not separate the filter pump rotor and body. Separating the rotor and body will cause permanent pump shaft seal damage.

Item No.	Part No.	Description	Qty.	Stocking Level
1	164184-001	1/2 HP / 60Hz motor	1	A
1	164184-002	1/2 HP / 50Hz motor, CE	1	A
2	164323	5 GPM hub mounted filter pump assembly	1	A
3	-FP01-020	Hex socket plug, 1/4 NPT	1	



For the most up-to-date parts information, visit
<https://parts.hennypennyhelp.com>.

Item No.	Part No.	Description	Qty.	Stocking Level
4	-SC01-132	Pump cover screw (qty. 50)	A/R	
5		Pump cover not sold separately		
6	-171169	Pump roller kit (set of 5), 5 GPM	1	A
7	-162498	Pump cover o-ring	1	A
8*	140515	Filter pump conversion hardware kit	1	
9*	168510	Motor shield, CE	1	
10*	FP01-232	Inlet elbow fitting, SAE 10	1	
11*	FP01-340	Outlet elbow fitting, SAE 10	1	
12*	-173418-003	Fitting o-ring, SAE #10, 7/8-14 UNF	1	

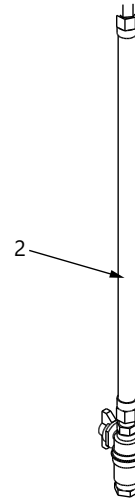
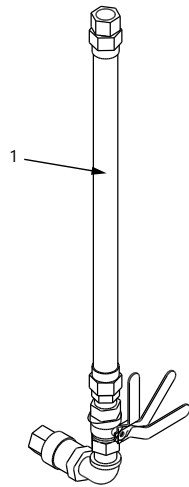
Recommended Parts: A = Truck Stock; B = Dist. Stock

NOTE: Prime retrofit filter pump and motor fittings cannot be used with hub mounted filter pump and motor assembly. Mounting plate holes will not align.



For the most up-to-date parts information, visit <https://parts.hennypennyhelp.com>.

Flexible Gas Line Assembly



Item No.	Part No.	Description	Qty.	Stocking Level
1	03758	Flexible gas line with shutoff valve, 72 inch, 3 and 4 vat	1	
Recommended Parts: A = Truck Stock; B = Dist. Stock * = Not Shown				



For the most up-to-date parts information, visit <https://parts.hennypennyhelp.com>.

Accessories

Gas Hose Accessories

03757



03750



03752



Part No.	Description	Qty.
03757	Gas valve kit, 1 in diameter x 48 in long, EEG 153, 154 / EEG 242, 243, 244 / EEG 253, 254	1
03750 (N/A)	Gas valve kit, 1/2 in diameter x 48 in long (No longer available through Henny Penny.)	1
03752	Gas valve kit, 3/4 in diameter x 36 in long	1