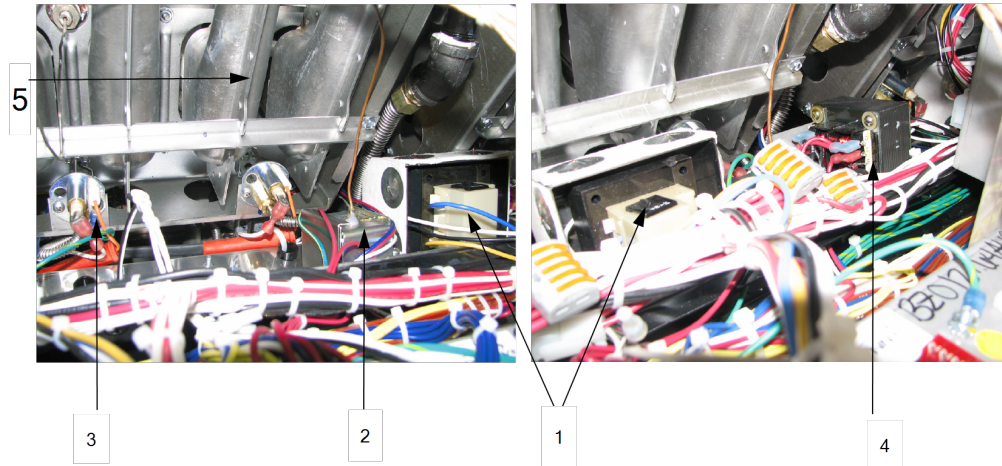




For the most up-to-date parts information, visit
<https://parts.hennypennyhelp.com>.

Electrical Components



| Item No. | Part No. | Description | Qty. | Stocking Level |
|----------|--------------------------|---|-----------|----------------|
| 1 | 86086 | Transformer, 120 VAC/24VAC, 24" wire length | 1/control | A |
| 1 | 86087 | Transformer, 240 VAC/24VAC, 24" wire length | 1/control | A |
| 2 | 16738 | High limit, 450°F | 1/control | A |
| 3 | 140296 | Pilot assembly, natural | 2/control | A |
| 3 | 140297 | Pilot assembly, LP | 2/control | A |
| 4 | TS22-012 | AIF transformer | 1 | A |
| 5 | 77941-XXX | Burner assembly, full vat | 1/control | |
| 5 | 77942-XXX | Burner assembly, split vat | 2/control | |
| 6* | 81553 | Heat exchanger muffle | 4/control | |



For the most up-to-date parts information, visit
<https://parts.hennypennyhelp.com>.

| Item No. | Part No. | Description | Qty. | Stocking Level |
|---|------------------------|--|-----------|----------------|
| 7* | 81554 | Heat exchanger wedge | 4/control | |
| 8* | 140086 | Gas conversion kit, natural to LP, split vat | 1/vat | |
| 8* | 140087 | Gas conversion kit, natural to LP, full vat | 1/vat | |
| 8* | 140088 | Gas conversion kit, LP to natural, split vat | 1/vat | |
| 8* | 140089 | Gas conversion kit, LP to natural, full vat | 1/vat | |
| Recommended Parts: A = Truck Stock; B = Dist. Stock * = Not Shown | | | | |

Full Vat Burner/Orifice Chart

| Burner Part No. | Orifice Part No. | Qty. | Orifice Drill Size (Orifice Diameter) | Gas Type | Altitude |
|---------------------------|---------------------------|------|---------------------------------------|---------------------|-----------------|
| 77941-001 | 76921-001 | 4 | #45 (.082) | Natural I2H, I2E | <5301 |
| 77941-002 | 76921-002 | 4 | 1.30 mm (.0512) | Propane I3P | |
| 77941-003 | 76921-003 | 4 | #44 (.086) | Natural | All |
| 77941-004 | 76921-004 | 4 | #43 (.089) | Natural | |
| 77941-005 | 76921-005 | 4 | #42 (.0935) | I2S | 5302 - 7701 |
| 77941-006 | 76921-006 | 4 | #51 (.067) | I2E+ | 7702 - 10101 |
| 77941-007 | 76921-007 | 4 | 2.30 mm (.0906) | I2L, I2HS | |



For the most up-to-date parts information, visit
<https://parts.hennypennyhelp.com>.

| Burner Part No. | Orifice Part No. | Qty. | Orifice Drill Size (Orifice Diameter) | Gas Type | Altitude |
|---------------------------|---------------------------|------|---------------------------------------|----------|----------|
| 77941-008 | 76921-008 | 4 | 1.25 mm (.0492) | I3B/P | |

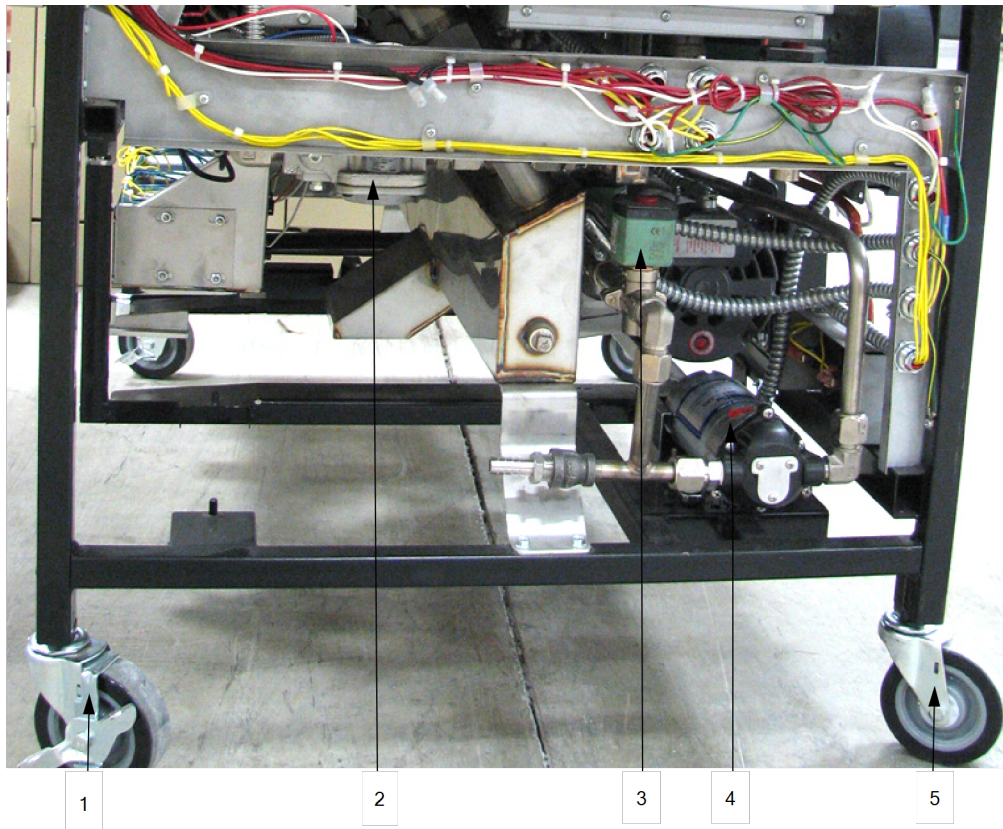
Split Vat Burner/Orifice Chart

| Burner Part No. | Orifice Part No. | Qty. | Orifice Drill Size (Orifice Diameter) | Gas Type | Altitude |
|---------------------------|---------------------------|------|---------------------------------------|---------------------|-----------------|
| 77942-001 | 76921-001 | 2 | #45 (.082) | Natural I2H, I2E | <5301 |
| 77942-002 | 76921-002 | 2 | 1.30 mm (.0512) | Propane I3P | |
| 77942-003 | 76921-003 | 2 | #44 (.086) | Natural | All |
| 77942-004 | 76921-004 | 2 | #43 (.089) | Natural | |
| 77942-005 | 76921-005 | 2 | #42 (.0935) | I2S | 5302 - 7701 |
| 77942-006 | 76921-006 | 2 | #51 (.067) | I2E+ | 7702 - 10101 |
| 77942-007 | 76921-007 | 2 | 2.30 mm (.0906) | I2L, I2HS | |
| 77942-008 | 76921-008 | 2 | 1.25 mm (.0492) | I3B/P | |



For the most up-to-date parts information, visit <https://parts.hennypennyhelp.com>.

Right Panel Removed



| Item No. | Part No. | Description | Qty. | Stocking Level |
|----------|-------------------------|--|------|----------------|
| 1 | 77575 | Caster with brake, 4 inch | 2 | C |
| 2 | | See Gas Valve Assemblies | | |
| 3 | 151744 | Solenoid valve, 120 VAC, 1/2 NPT | 2 | A |
| 3 | -140229 | Solenoid repair kit | 1 | |



For the most up-to-date parts information, visit
<https://parts.hennypennyhelp.com>.

| Item No. | Part No. | Description | Qty. | Stocking Level |
|----------|----------------------------|---|------|----------------|
| 3 | 154048 | Solenoid valve, 220-240 VAC, 1/2 NPT | 2 | A |
| 3 | -140769 | Solenoid repair kit | 1 | |
| 4 | 97599 | JIB pump retrofit service pack, 120 VAC (5/2015 & Before) | 1 | |
| 4 | 153417-001 | - JIB pump, 120 VAC (5/2015 & After) | 1 | A |
| 4 | 97600 | JIB pump retrofit service pack, 208-240 VAC (5/2015 & Before) | 1 | |
| 4 | 153417-002 | - JIB pump, 208-240 VAC (5/2015 & After) | 1 | A |
| 5 | 77679 | Caster, 4 inch | 2 | C |

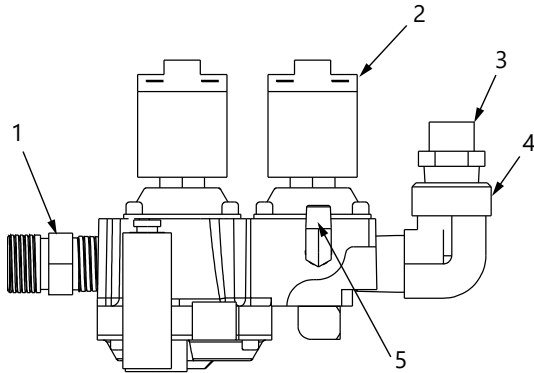
**Recommended Parts: A = Truck Stock; B = Dist. Stock
 * = Not Shown**



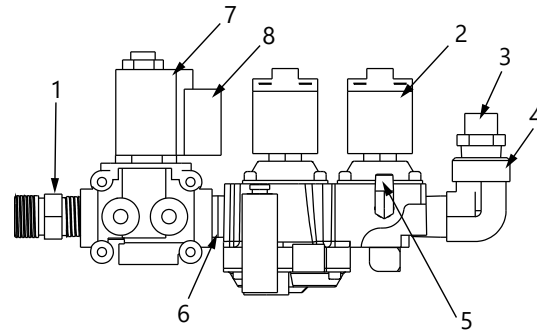
For the most up-to-date parts information, visit <https://parts.hennypennyhelp.com>.

Gas Valve Assemblies

Non-CE Gas Valve Assembly



CE Gas Valve Assembly



| Item No. | Part No. | Description | Qty. | Stocking Level |
|----------|--------------------------|--|------|----------------|
| 1 | 16807 | Male connector fitting, 1/2 NPT X 5/8 inch OD tube | 1 | |
| 2 | 78118 | Gas control valve, 24 VAC, natural | 1 | A |
| 2 | 78517 | Gas control valve, 24 VAC, LP | 1 | A |
| 3 | FP01-211 | Male connector, 1/2 inch tube to 1/2 NPT | 1 | |
| 4 | 16239 | Street elbow, 90 degrees, 1/2 NPT | 1 | |
| 5 | FP05-004 | Elbow, 90 degrees, 1/8 NPT X 1/4 inch OD tube | 2 | |
| 6 | FP01-028 | Pipe nipple, 1/2 NPT, SS | 1 | |
| 7 | 176159 | Solenoid valve service pack, 24 VAC, CE | 1 | A |
| 8 | | | | |



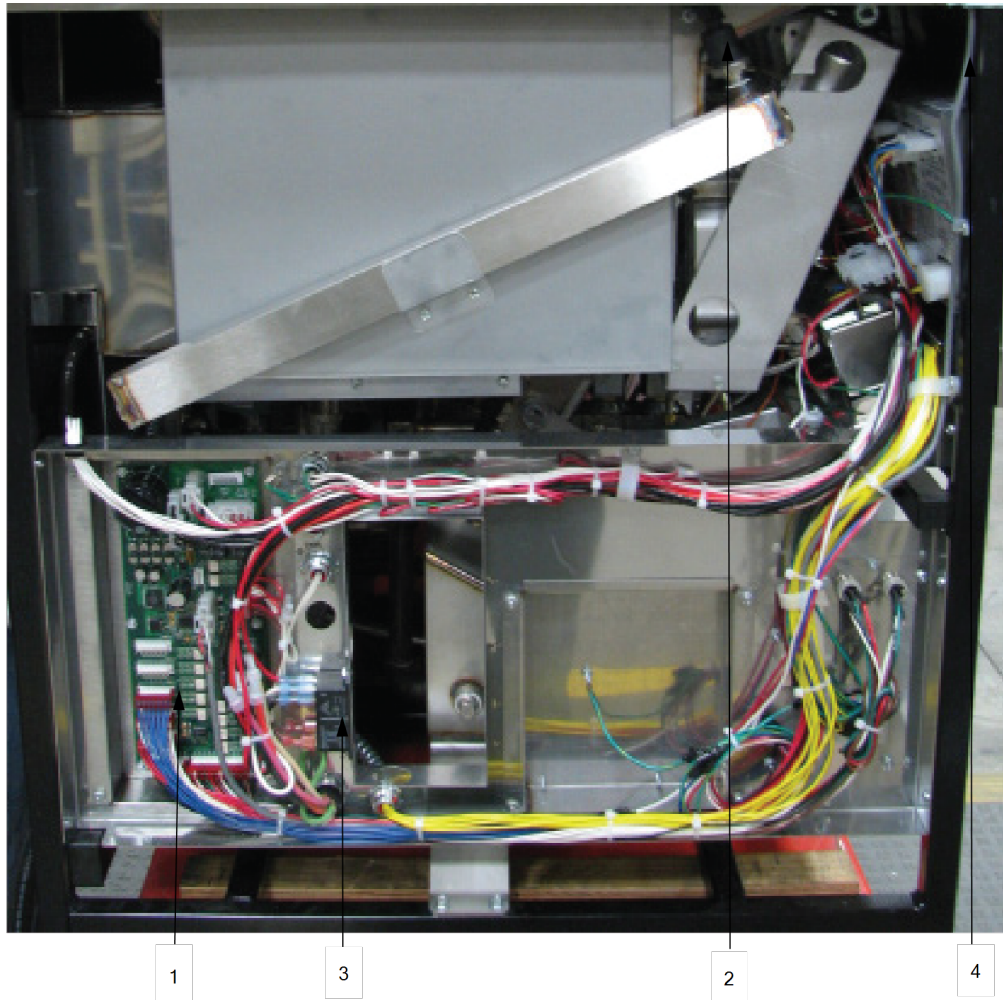
For the most up-to-date parts information, visit
<https://parts.hennypennyhelp.com>.

| Item No. | Part No. | Description | Qty. | Stocking Level |
|--|------------------------|---|------|----------------|
| 9* | 03757 | Gas 2 Swivel Line & Install assembly, 1 inch; diameter X 48 inch length | 1 | |
| | 160329 | Valve, 1 in NPT, quick disconnect (Q.D. only, no gas line) | A/R | |
| 10* | 03747 | 3/4 inch diameter x 48 inch long gas valve kit | 1 | |
| 11* | 161559 | Quick disconnect valve, 3/4 NPT | A/R | |
| Recommended Parts: A = Truck Stock; B = Dist. Stock * = Not Shown | | | | |



For the most up-to-date parts information, visit <https://parts.hennypennyhelp.com>.

AIF PC Board Assembly



| Item No. | Part No. | Description | Qty. | Stocking Level |
|----------|--------------------------|-------------------------|------|----------------|
| 1 | 85698 | Common AIF PC board | 1 | A |
| 2 | 79213 | Pressure transducer | 1 | A |
| 3 | ME90-008 | Pump motor relay, 12VDC | 1 | A |



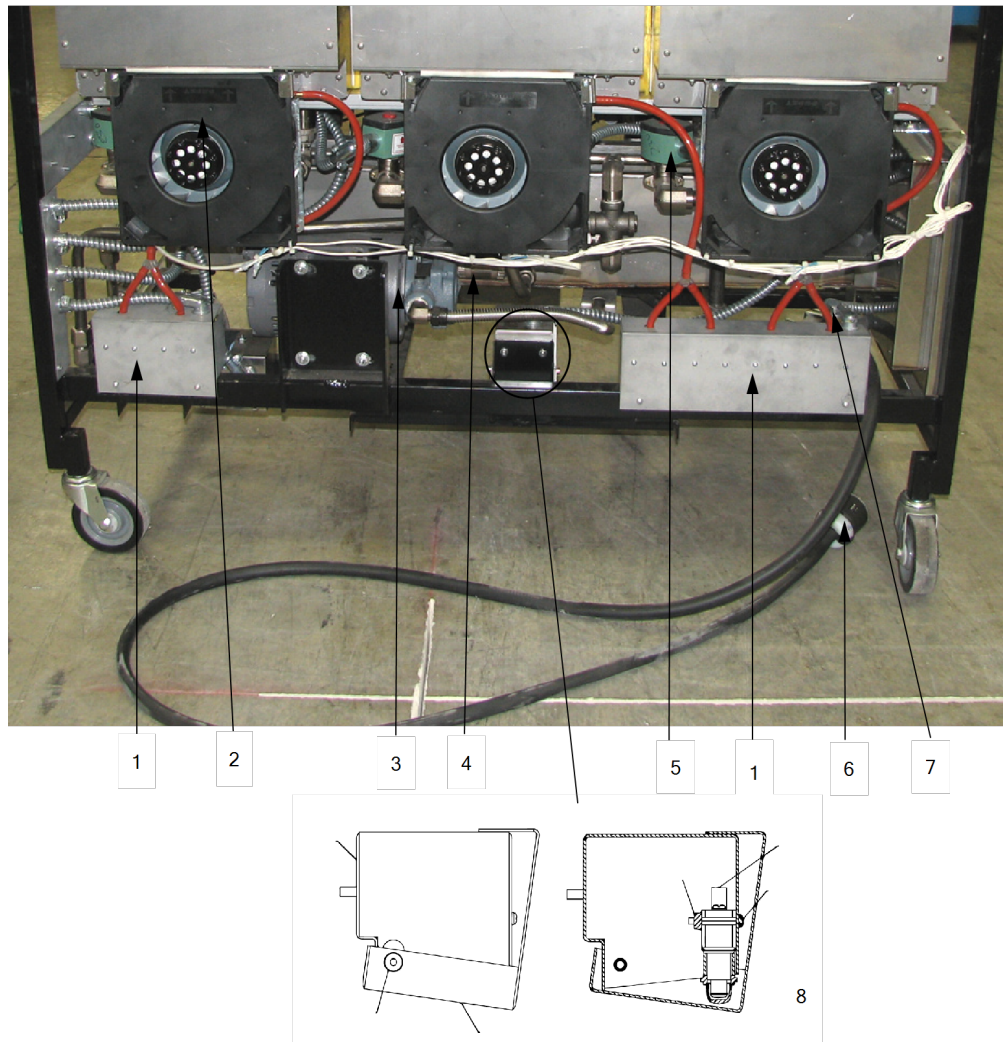
For the most up-to-date parts information, visit
<https://parts.hennypennyhelp.com>.

| Item No. | Part No. | Description | Qty. | Stocking Level |
|--|---------------------------|-----------------------------|------|----------------|
| 4 | 84384-001 | Pressure transducer harness | 1 | |
| 5 * | 51065 | EMC filter board assembly | 1 | B |
| 6 * | 80373 | Terminal power block, CE | 1 | |
| Recommended Parts: A = Truck Stock; B = Dist. Stock * = Not Shown | | | | |



For the most up-to-date parts information, visit <https://parts.hennypennyhelp.com>.

Blower Motor Assemblies



| Item No. | Part No. | Description | Qty. | Stocking Level |
|----------|---------------------------|---|-------|----------------|
| 1 | 140939 | Kit - pressure switch, 80 in. WC (behind cover) | 1/vat | A |
| 2 | 77826-001 | Blower motor, 240VAC | 1/vat | A |



For the most up-to-date parts information, visit
<https://parts.hennypennyhelp.com>.

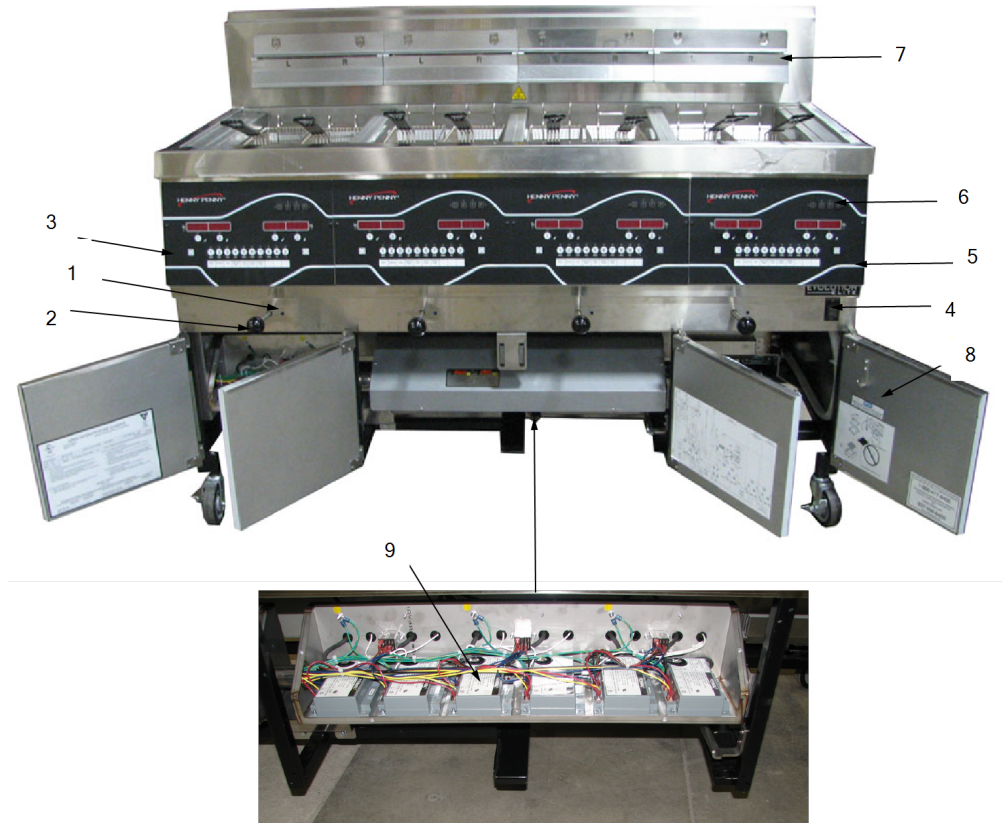
| Item No. | Part No. | Description | Qty. | Stocking Level |
|----------|---------------------------|---|-------|----------------|
| 2 | 77826-002 | Blower motor, 120VAC | 1/vat | A |
| 3 | | See Pump and Motor Assembly | 1 | |
| 4 | 74469 | Check valve, 1/2 NPT | 1/vat | A |
| 5 | 151744 | Solenoid valve, 120VAC | 1/vat | A |
| 5 | 154048 | Solenoid valve, 240VAC | 1/vat | A |
| 5 | 140769 | Solenoid repair kit | A/R | |
| 6 | 73517 | Power cord assembly, 120VAC | 1 | |
| 7 | 79443-1 | Pressure switch tube, 2.5 inch | A/R | |
| 7 | 79443-2 | Pressure switch tube, 13 inch | A/R | |
| 7 | 79443-3 | Pressure switch tube, 19 inch | A/R | |
| 7 | 79443-4 | Pressure switch tube, 16 inch | A/R | |
| 7 | 79443-5 | Pressure switch tube, 26 inch | A/R | |
| 7 | 79443-6 | Pressure switch tube, 14 inch | A/R | |
| 8 | 80148 | Drain switch with boot assembly | 1 | A |
| 9* | MS01-572 | Loctite primer, 0.8 oz can | 1 | A |
| 10* | 77293 | Flue insulation, split vat | 2/vat | |
| 10* | 77294 | Flue insulation, full vat | 1/vat | |
| 11* | FP01-213 | Hose barb fitting, 1/4, split vat | | |

Recommended Parts: A = Truck Stock; B = Dist. Stock
*** = Not Shown**



For the most up-to-date parts information, visit <https://parts.hennypennyhelp.com>.

Front View



| Item No. | Part No. | Description | Qty. | Stocking Level |
|----------|-----------------------|--------------------------------------|-----------|----------------|
| 1 | 81980 | LED - 5 mm blue | 1/control | |
| 2 | 16101 | Spindle knob, black | 1/control | |
| 3 | 74460 | Left side panel | 1 | |
| 4 | 52224 | Power switch | 1 | A |
| 5 | 74461 | Right side panel | 1 | |
| 6 | | See Control Assembly | | |



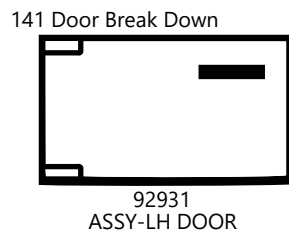
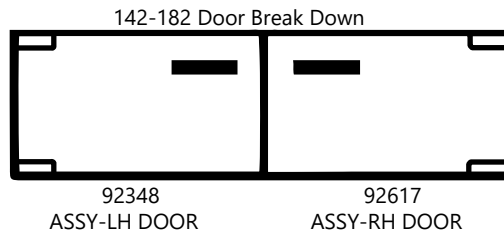
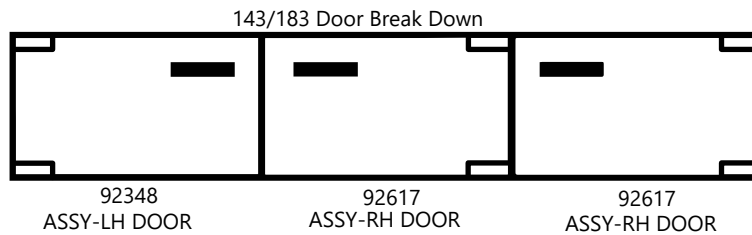
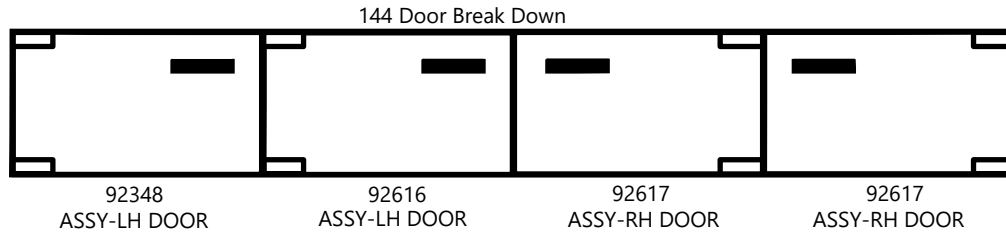
For the most up-to-date parts information, visit
<https://parts.hennypennyhelp.com>.

| Item No. | Part No. | Description | Qty. | Stocking Level |
|--|-----------------------|---------------------------------------|-----------|----------------|
| 6* | 03646 | Full vat cover | 1/control | |
| 7 | 77842 | Basket hanger, 2 vats | 1 | |
| 7 | 77709 | Basket hanger, 3 vats | 1 | |
| 7 | 77934 | Basket hanger, 4 vats | 1 | |
| 8 | 91711 | Card holder hook | 1 | |
| 9 | 77839 | Ignition module, UL | 2/control | A |
| 9 | 77602 | Ignition module, CE | 2/control | A |
| 10* | 60818 | Ignition relay, 24 VAC, full vat only | 1/control | A |
| | 12199 | Oil test kit | A/R | |
| Recommended Parts: A = Truck Stock; B = Dist. Stock * = Not Shown | | | | |



For the most up-to-date parts information, visit
<https://parts.hennypennyhelp.com>.

Door Assembly

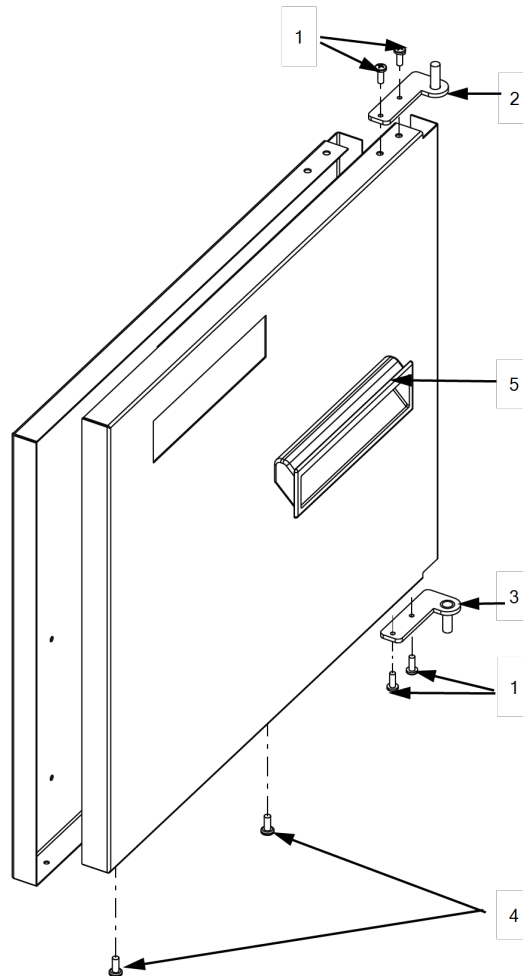


| Door Part No. | Top Hinge (Frame) | Top Hinge (Door) | Bottom Hinge (Door) | Bottom Hinge (Frame) | Bushing |
|---------------|-----------------------|-----------------------|-----------------------|-----------------------|-----------------------|
| 92931 | 92080 | 92342 | 92340 | 92079 | 39752 |
| 92348 | 92080 | 92342 | 92340 | 92079 | 39752 |
| 92617 | 92620 | 92618 | 92619 | 92621 | 39752 |
| 92616 | 92080 | 92342 | 92340 | 92079 | 39752 |



For the most up-to-date parts information, visit <https://parts.hennypennyhelp.com>.

Door Parts



| Item No. | Part No. | Description | Qty. | Stocking Level |
|----------|--------------------------|--|------|----------------|
| 1 | SC04-003 | Screw, #8-32, CT, PHD, SS (qty. 50) | 4 | |
| 2 | - | Top Hinge (Door), See Door Assembly table | - | |
| 3 | - | Bottom Hinge (Door), See Door Assembly table | - | |
| 4 | SC04-003 | Screw, #8-32, CT, PHD, SS (qty. 50) | 3 | |



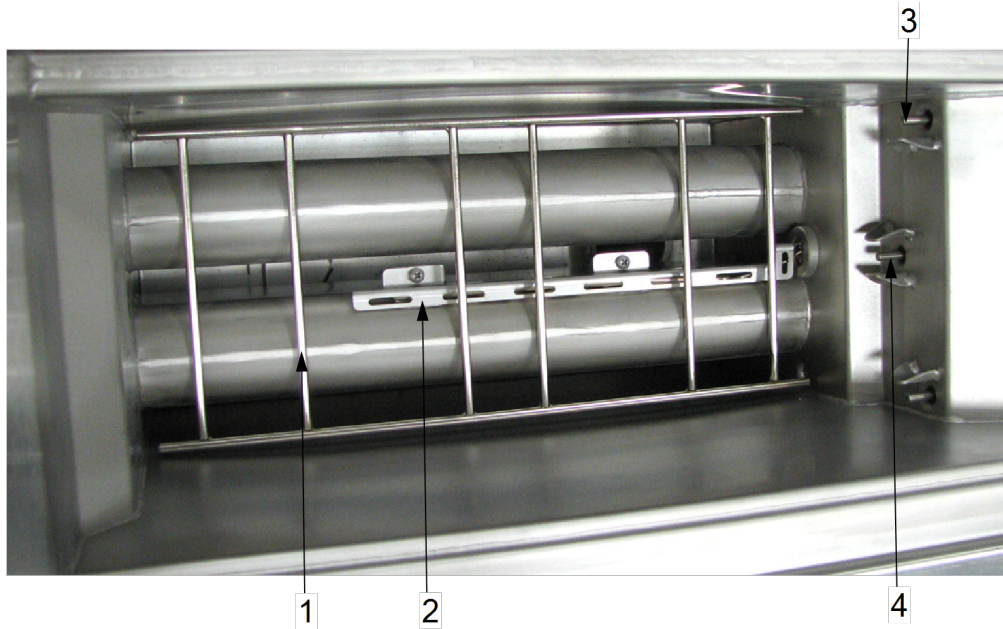
For the most up-to-date parts information, visit
<https://parts.hennypennyhelp.com>.

| Item No. | Part No. | Description | Qty. | Stocking Level |
|----------|--------------------------|--|-------|----------------|
| 5 | 41836 | Door handle | 1 | |
| 6* | SC01-234 | Flat head hinge screw, #8-32, CT, FHD (hinge to frame) (qty. 50) | A/R | |
| 7* | 17002 | Door magnet | 1/vat | |



For the most up-to-date parts information, visit
<https://parts.hennypennyhelp.com>.

Inside Vat



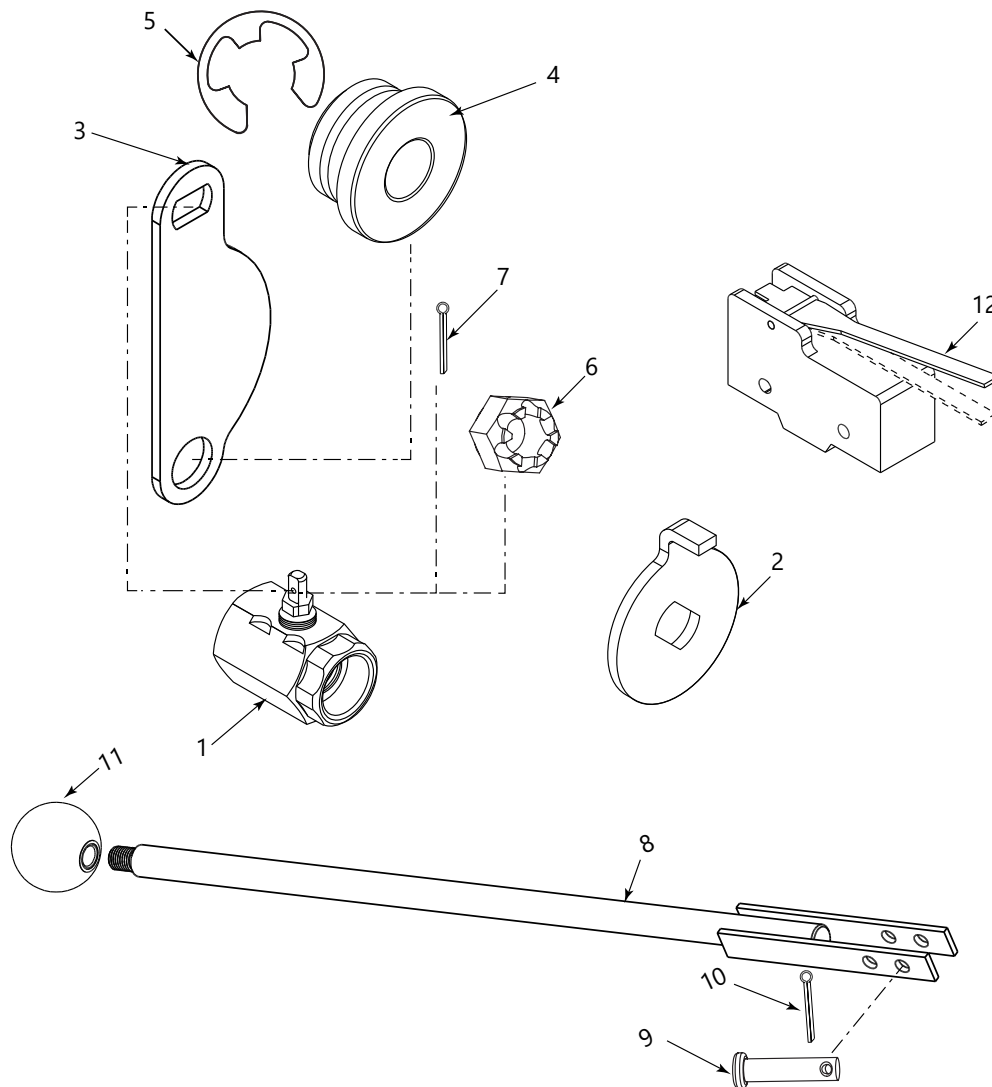
| Item No. | Part No. | Description | Qty. | Stocking Level |
|----------|-----------------------|-----------------------------|-------|----------------|
| 1 | 76980 | Split vat rack | 1/vat | B |
| 1 | 76982 | Full vat rack | 1/vat | B |
| 2 | 77061 | High limit guard | 1/vat | |
| 3 | 14974 | Level sense probe, 2.5 inch | 2/vat | A |
| 4 | 14974 | Temperature probe, 2.5 inch | 1/vat | A |

Recommended Parts: A = Truck Stock; B = Dist. Stock
*** = Not Shown**



For the most up-to-date parts information, visit <https://parts.hennypennyhelp.com>.

Manual Drain Valve



| Item No. | Part No. | Description | Qty. | Stocking Level |
|----------|-----------------------|---------------------------------|--------|----------------|
| 1 | 76095 | Drain valve, 1 1/2 NPT cam lock | 1 /vat | B |



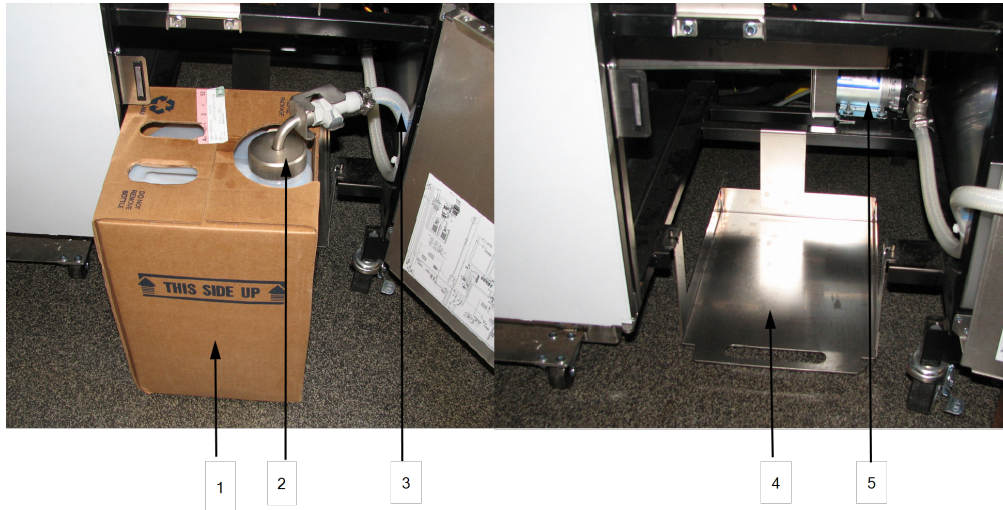
For the most up-to-date parts information, visit
<https://parts.hennypennyhelp.com>.

| Item No. | Part No. | Description | Qty. | Stocking Level |
|--|--------------------------|---|--------|----------------|
| 1* | 76948 | Drain valve o-ring | 1/vat | |
| 2 | 81573 | Pull handle pivot stop, full or right split only | 1 /vat | |
| 2 | 74626 | Drain handle pivot stop, left split only | 1 /vat | |
| 3 | 83141 | Drain handle pivot | 1 /vat | |
| 4 | 78591 | Bushing actuator pivot | 1 /vat | |
| 5 | RR01-004 | Retaining ring, 1/2 inch | 1 /vat | |
| 6 | NS03-103 | Castle nut, 1/2-20 UNF, 18-8 SS | 1 /vat | |
| 7 | 17255 | Cotter pin, SS | 1 /vat | |
| 8 | 83433 | Drain rod weld assembly | 1 /vat | |
| 9 | PN01-031 | Clevis pin, 1/4 X 1 inch, SS | 1 /vat | |
| 10 | 17255 | Cotter pin, SS | 1 /vat | |
| 11 | 16101 | Spindle knob, black | 1 /vat | |
| 12 | 50764 | Rigid lever microswitch | 1 /vat | |
| 13* | 140176 | Drain valve, castle nut kit, full or right split only | A/R | |
| 14* | 140175 | Drain valve, castle nut kit, left split only | A/R | |
| Recommended Parts: A = Truck Stock; B = Dist. Stock * = Not Shown A/R = As Required | | | | |



For the most up-to-date parts information, visit <https://parts.hennypennyhelp.com>.

JIB Assembly



| Item No. | Part No. | Description | Qty. | Stocking Level |
|----------|----------------------------|--|------|----------------|
| 1 | 03617 | Auto top off (empty) jug accessory | 1 | |
| 2 | 78992 | JIB tube and quick disconnect assembly | 1 | B |
| 2 | 80490 | International JIB tube and quick disconnect assembly | 1 | B |
| 2 | - FP05-017 | Male quick disconnect | 1 | A |
| 3 | 77288 | Hose assembly | 1 | B |
| 3* | - FP05-016 | -Quick disconnect, female, 1/2 in. | 1 | A |
| 3* | - MS01-297 | -Hose clamp, SS | 2 | |
| 3* | - FP01-228 | -Barbed fitting, 1/2 in. hose, 3/8 NPT, nylon | 1 | |
| 4 | 77630 | JIB shelf assembly | 1 | |



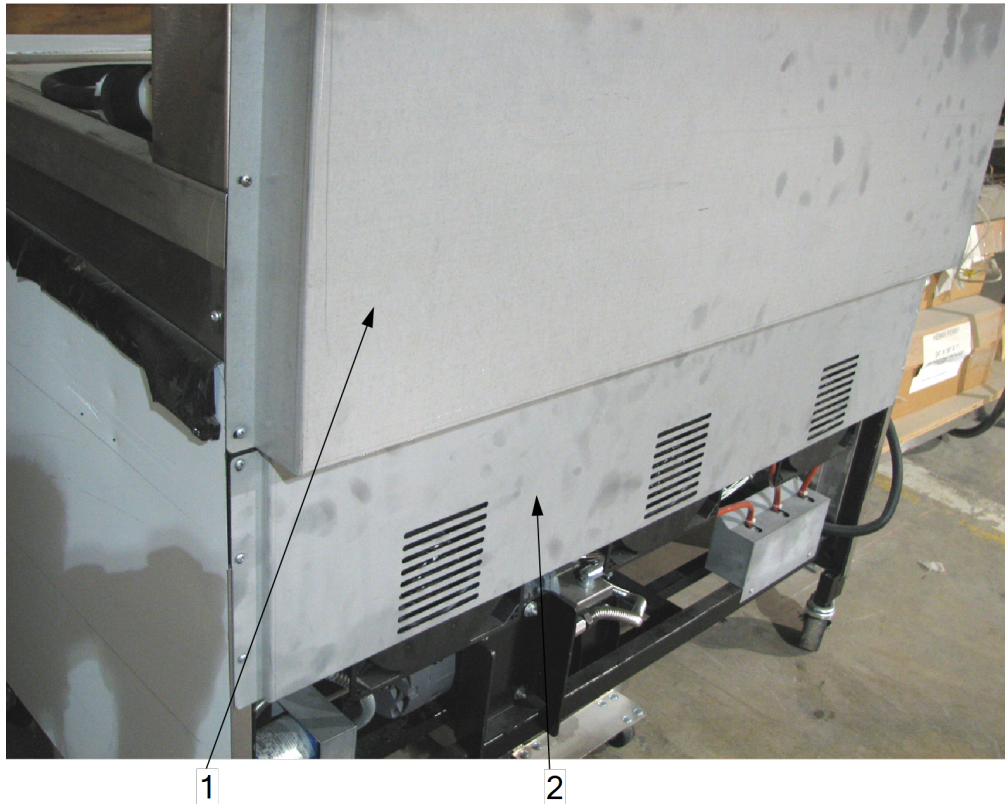
For the most up-to-date parts information, visit
<https://parts.hennypennyhelp.com>.

| Item No. | Part No. | Description | Qty. | Stocking Level |
|--|--------------------------|---|------|----------------|
| 5 | | JIB/BIB pump, See Right Side Panel Removed | | |
| 6* | MS01-561 | JIB o-ring, 3/8 inch | 1 | A |
| 7* | 03671 | Semi-solid oil meter, General Market, 240VAC | 1 | |
| 7* | 03675 | Semi-solid oil meter, General Market, 120VAC | 1 | |
| Recommended Parts: A = Truck Stock; B = Dist. Stock * = Not Shown | | | | |



For the most up-to-date parts information, visit <https://parts.hennypennyhelp.com>.

Rear View



| Item No. | Part No. | Description | Qty. | Stocking Level |
|----------|-----------------------|----------------------------|------|----------------|
| 1 | 78305 | Rear shroud cover, EEG 142 | 1 | |
| 1 | 77664 | Rear shroud cover, EEG 143 | 1 | |
| 1 | 79565 | Rear shroud cover, EEG-144 | 1 | |
| 2 | 83700 | Rear lower cover, EEG 142 | 1 | |
| 2 | 84161 | Rear lower cover, EEG 143 | 1 | |
| 2 | 84162 | Rear lower cover, EEG 144 | 1 | |



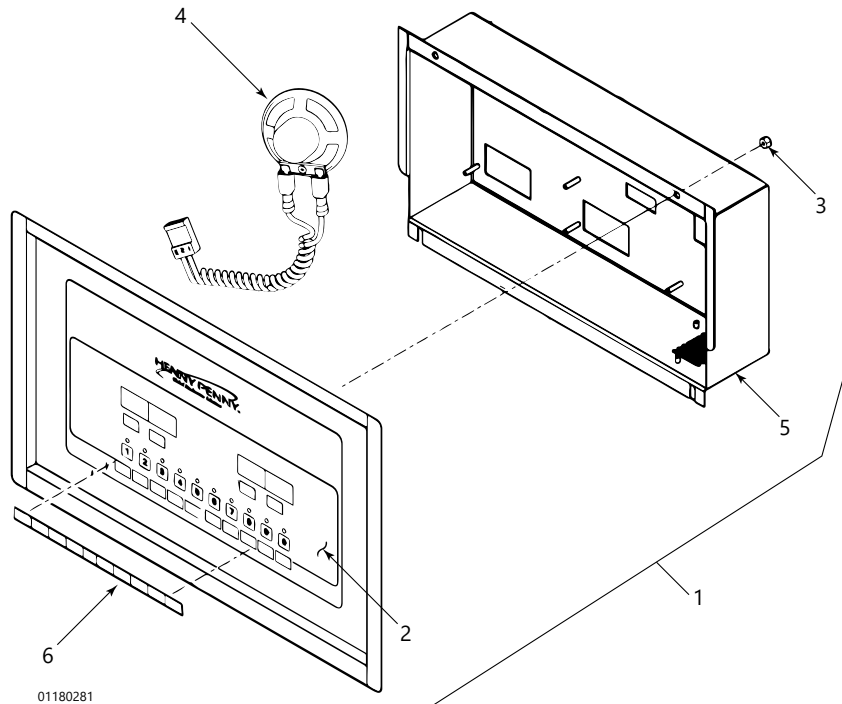
For the most up-to-date parts information, visit
<https://parts.hennypennyhelp.com>.

| Item No. | Part No. | Description | Qty. | Stocking Level |
|--|------------------------|---------------------------|------|----------------|
| 3* | 140101 | Bulk dispose kit, 120 VAC | 1 | |
| 3* | 140102 | Bulk dispose kit, 230 VAC | 1 | |
| 4* | 67662 | - Dispose hose assembly | 1 | |
| 5* | 21612 | - - Female disconnect | 1 | A |
| Recommended Parts: A = Truck Stock; B = Dist. Stock * = Not Shown | | | | |



For the most up-to-date parts information, visit <https://parts.hennypennyhelp.com>.

Control Panel Assembly



| Item No. | Part No. | Description | Qty. | Stocking Level |
|----------|------------------------|---|------------|----------------|
| 1 | 140472 | Manual drain control kit assembly | 1 /control | B |
| 1 | 140498 | Manual drain auto lift control panel assembly | 1 /control | B |
| 1 | 140402 | SmartTouch automatic drain control kit with thumb drive, GM | 1 /control | B |
| 1 | 140748 | Kit - Arby's control, auto drain | 1 /control | B |



For the most up-to-date parts information, visit
<https://parts.hennypennyhelp.com>.

| Item No. | Part No. | Description | Qty. | Stocking Level |
|----------|--------------------------|--|-------------|----------------|
| 1 | 140772 | Kit - KFC (YRI) control, auto drain | 1 /control | B |
| 1 | 140478 | KFC (YRI) control kit, manual drain, with radio, EEE 142, 143, 144 only Note: YRI radio kits are not approved for EEE 141 model | 1 /control | B |
| 1 | 140480 | KFC (YRI) radio kit (control not included), EEE 142, 143, 144 only Note: YRI radio kits are not approved for EEE 141 model | 1 /control | |
| 1 | 140481 | KFC (YRI) control kit, auto drain, with radio, EEE 142, 143, 144 only Note: YRI radio kits are not approved for EEE 141 model | 1 /control | B |
| 1 | 140482 | KFC (YRI) control kit, manual drain | 1 /control | B |
| 1 | 140468 | Sonic control kit, manual drain | 1 /control | B |
| 1 | 140469 | Arby's control kit, manual drain | 1 /control | B |
| 2 | 81354 | Control decal | 1 /control | |
| 2 | 83206 | Auto lift control decal | 1 /control | |
| 3 | NS02-005 | Hex keps nut, 6-32 UNC | 23 /control | |



For the most up-to-date parts information, visit
<https://parts.hennypennyhelp.com>.

| Item No. | Part No. | Description | Qty. | Stocking Level |
|----------|--------------------------|-----------------------------------|------------|----------------|
| 4 | 26974 | Speaker assembly | 1 /control | A |
| 5 | 82085 | Control panel cover stud assembly | 1 /control | |
| 6 | 81613 | Menu card blank | 1 /control | |
| 7 * | MS01-571 | Terminal extractor tool | 1 | A |
| 8* | 82326 | Menu card tool | 1 | |

Recommended Parts: A = Truck Stock; B = Dist. Stock

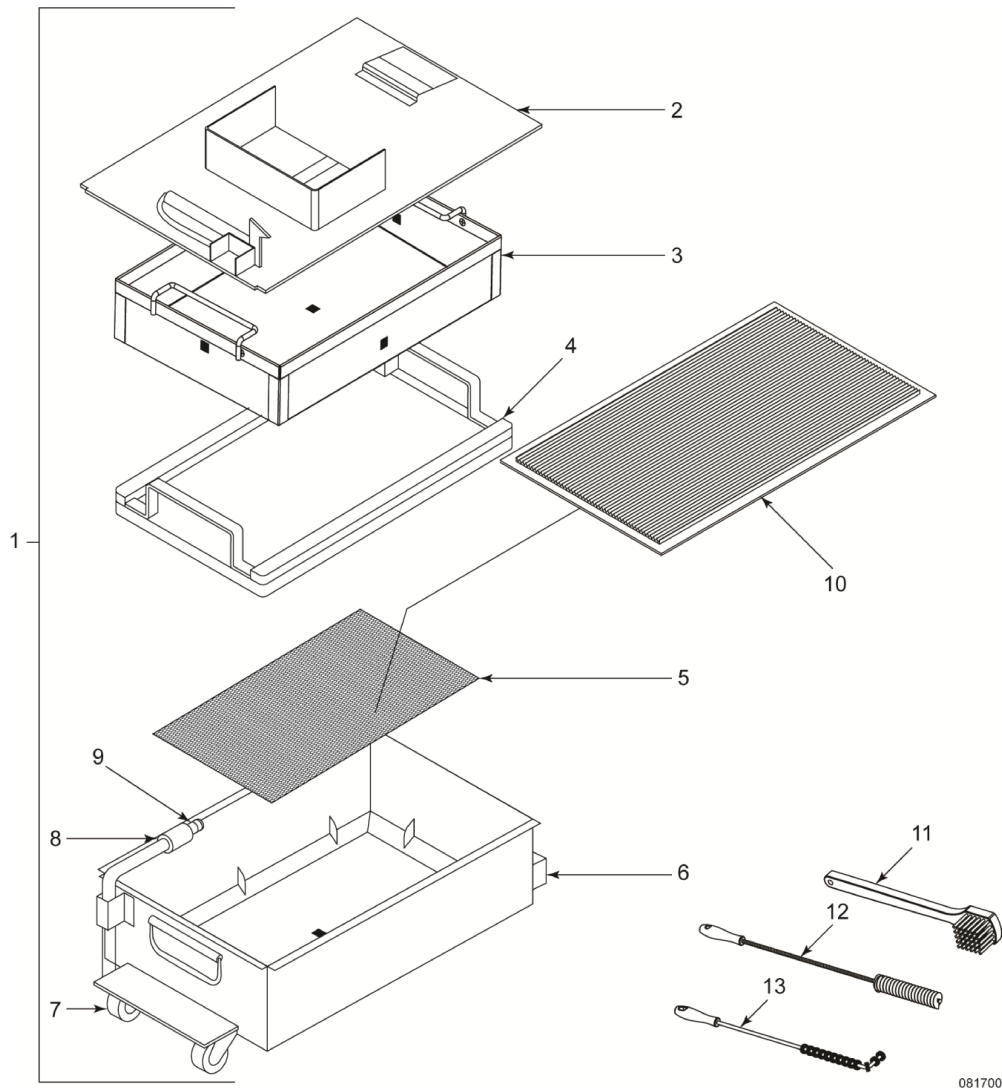
* = Not Shown

/ CTRL = Control x : EEE 141 = 1; EEE 142 = 2; EEE 143 = 3; EEE 144 = 4



For the most up-to-date parts information, visit
<https://parts.hennypennyhelp.com>.

Filter Pan Assembly



08170011

| Item No. | Part No. | Description | Qty. | Stocking Level |
|----------|-----------------------|---------------------|------|----------------|
| 1 | 78456 | Filter pan assembly | 1 | |
| 2 | 82674 | -Filter pan cover | 1 | |



For the most up-to-date parts information, visit
<https://parts.hennypennyhelp.com>.

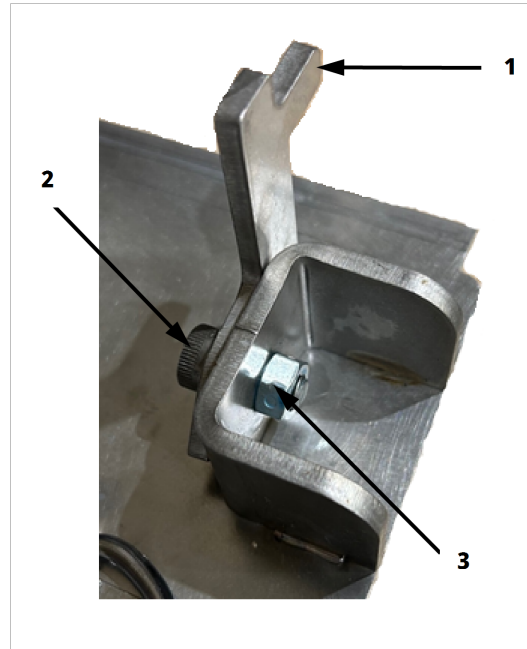
| Item No. | Part No. | Description | Qty. | Stocking Level |
|----------|------------------------|---|------|----------------|
| 3 | 163322 | - Crumb catcher | 1 | |
| 4 | 76179 | - Filter weight | 1 | |
| 5 | 76375 | -Filter screen | 1 | |
| 6 | 82672 | - Filter pan with casters | 1 | |
| 7 | 52487 | - Caster | 4 | |
| 7 | -SC01-009 | -Caster screw, 1/4-20 | 16 | |
| 7 | -NS02-002 | -Caster keps nut, 1/4-20 | 16 | |
| 8 | 74573 | - Pickup tube adapter | 1 | |
| 9 | 74189 | - Pickup tube o-ring (qty 10) | 3 | A |
| 10 | - | Filter pad/envelope (customer specific) | 1 | |
| 10 | 12074 | Smart filter pad, 30 count | 1 | B |
| 10 | 12076 | Smart filter paper, 100 count | 1 | B |
| 11 | 12116 | White long handle brush | 1 | B |
| 12 | 12112 | Straight white brush | 1 | B |
| 13 | 12126 | Black L-shaped brush | 1 | B |

Recommended Parts: A = Truck Stock; B = Dist. Stock
*** = Not Shown**



For the most up-to-date parts information, visit <https://parts.hennypennyhelp.com>.

Filter Pan Lid Latch Assembly

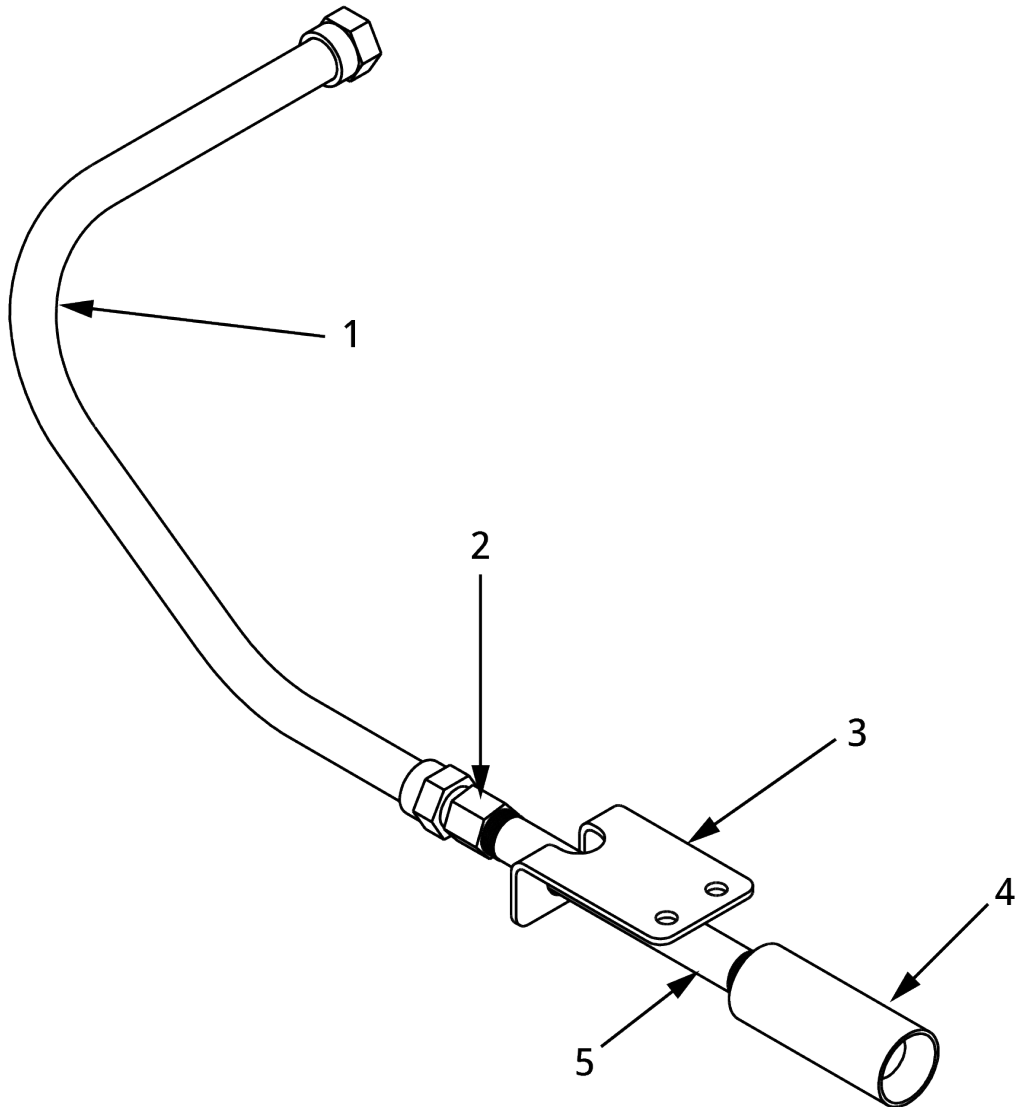


| Item No. | Part No. | Description | Qty. | Stocking Level |
|---|--------------------------|----------------------|------|----------------|
| 1 | 76575 | Pan lid latch | 1 | |
| 2 | SC06-073 | Pan lid latch bolt | 1 | |
| 3 | NS03-066 | Pan lid latch nut | 1 | |
| 4 | WA01-035 | Pan lid latch washer | 1 | |
| Recommended Parts: A = Truck Stock; B = Dist. Stock | | | | |



For the most up-to-date parts information, visit <https://parts.hennypennyhelp.com>.

Suction Tube Assembly



| Item No. | Part No. | Description | Qty. | Stocking Level |
|----------|---------------------------|--------------------------------------|------|----------------|
| 1 | 77523-002 | Suction tube, 18 inch length | 1 | |
| 2 | FP01-206 | Female connector, 3/8 NPT, 45° flare | 1 | |



For the most up-to-date parts information, visit
<https://parts.hennypennyhelp.com>.

| Item No. | Part No. | Description | Qty. | Stocking Level |
|--|--------------------------|---------------------------------------|------|----------------|
| 3 | 77259 | Plug and play bracket | 1 | |
| 4 | 77248 | Tube end adapter | 1 | |
| 5 | FP01-204 | Nipple, 3/8 NPT, 6 inch length, black | 1 | |
| Recommended Parts: A = Truck Stock; B = Dist. Stock * = Not Shown | | | | |



For the most up-to-date parts information, visit
[https://parts.hennypennyhelp.com.](https://parts.hennypennyhelp.com)

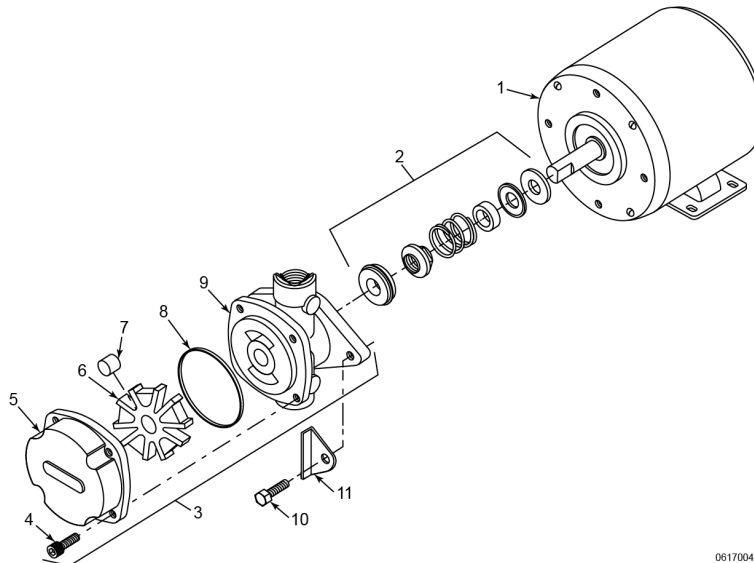


For the most up-to-date parts information, visit
<https://parts.hennypennyhelp.com>.

Filter Pump and Motor Assemblies

Flange Mount Filter Pump Motor Assembly

Included in Original Manufactured Assembly



06170040

| Item No. | Part No. | Description | Qty. | Stocking Level |
|----------|--------------------------|--------------------------|------|----------------|
| 1 | 67583 | Motor, 1/2 HP, 60 Hz | 1 | A |
| 2 | 17476 | Seal kit | 1 | A |
| 3 | 171168 | 5 GPM pump assembly | 1 | B |
| 4 | SC01-132 | - Pump cover screw | 1 | |
| 5 | 171171 | - Pump cover | 1 | |
| 6 | 171170 | - Pump rotor | 1 | |
| 7 | 171169 | - Pump roller (set of 5) | 1 | A |
| 8 | 162498 | - O-ring | 1 | B |



For the most up-to-date parts information, visit
<https://parts.hennypennyhelp.com>.

| Item No. | Part No. | Description | Qty. | Stocking Level |
|----------|--------------------------|---|------|----------------|
| 9 | N/A | Pump body not sold separately. Use 171168 . | | |
| 10 | SC01-026 | Pump motor shield screw | 1 | |
| 11 | 83142 | Pump motor shield, CE, 142, 143, 144 | 1 | |

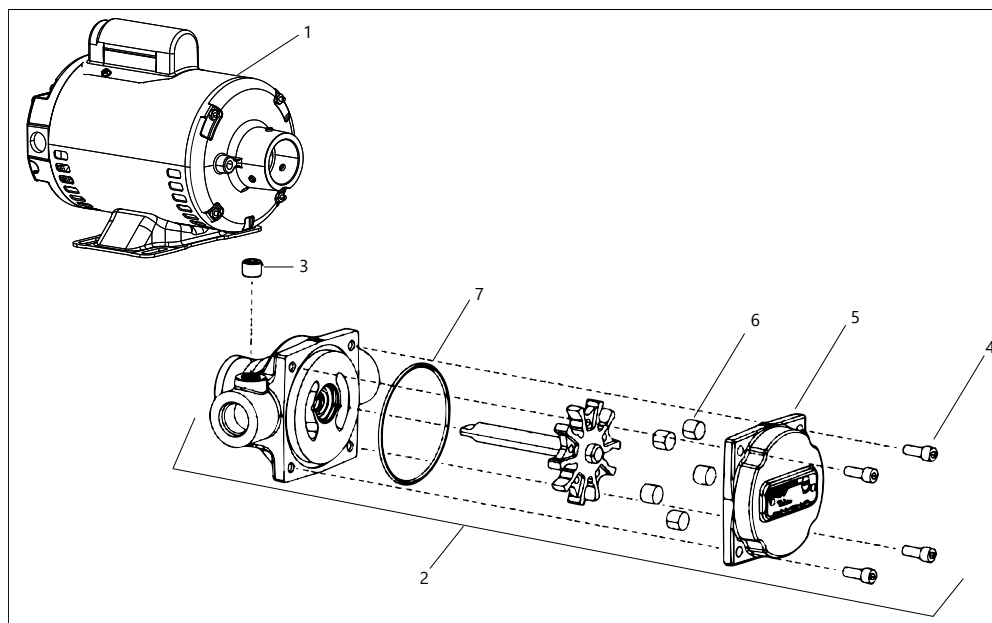
Recommended Parts: A = Truck Stock; B = Dist. Stock

Hub Mount Filter Pump Motor Assembly

Not Included in Original Manufactured Assembly



Units may be converted to Hub Mount Design as an upgrade.



NOTICE - Do not separate the filter pump rotor and body. Separating the rotor and body will cause permanent pump shaft seal damage.



For the most up-to-date parts information, visit
<https://parts.hennypennyhelp.com>.

| Item No. | Part No. | Description | Qty. | Stocking Level |
|----------|-----------------------------|--|------|----------------|
| 1 | 164184-001 | 1/2 HP / 60Hz motor | 1 | A |
| 1 | 164184-002 | 1/2 HP / 50Hz motor, CE | 1 | A |
| 2 | 164323 | 5 GPM hub mounted filter pump assembly | 1 | A |
| 3 | -FP01-020 | Hex socket plug, 1/4 NPT | 1 | |
| 4 | -SC01-132 | Pump cover screw (qty. 50) | A/R | |
| 5 | | Pump cover not sold separately | | |
| 6 | -171169 | Pump roller kit (set of 5), 5 GPM | 1 | A |
| 7 | -162498 | Pump cover o-ring | 1 | A |
| 8* | 140515 | Filter pump conversion hardware kit | 1 | |
| 9* | 168510 | Motor shield, CE | 1 | |
| 10* | FP01-232 | Inlet elbow fitting, SAE 10 | 1 | |
| 11* | FP01-340 | Outlet elbow fitting, SAE 10 | 1 | |
| 12* | -173418-001 | Fitting o-ring, SAE #6, 9/16-18 UNF | 1 | |
| 12* | -173418-002 | Fitting o-ring, SAE #8, 3/4-16 UNF | 1 | |
| 12* | -173418-003 | Fitting o-ring, SAE #10, 7/8-14 UNF | 1 | |
| 12* | -173418-004 | Fitting o-ring, SAE #12, 1 1/16-12 UNF | 1 | |

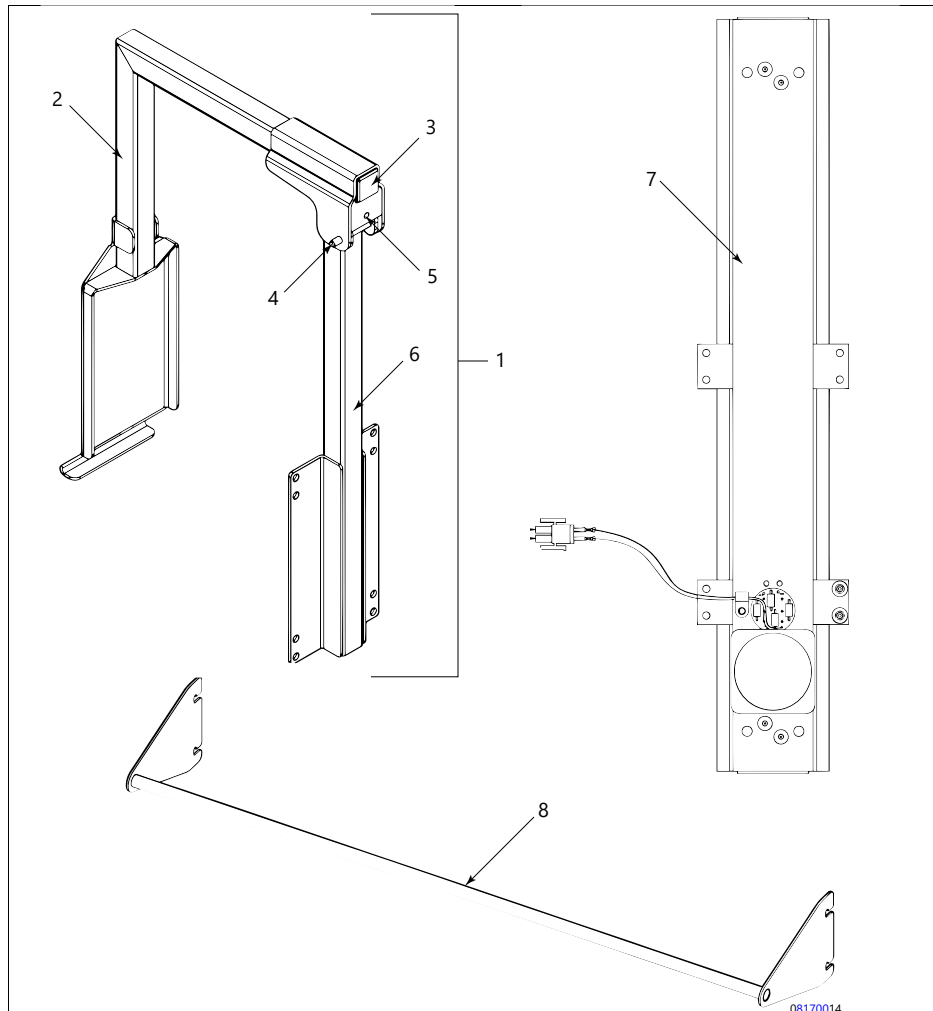
Recommended Parts: A = Truck Stock; B = Dist. Stock

NOTE: Prime retrofit filter pump and motor fittings cannot be used with hub mounted filter pump and motor assembly. Mounting plate holes will not align.



For the most up-to-date parts information, visit <https://parts.hennypennyhelp.com>.

Auto Lift



| Item No. | Part No. | Description | Qty. | Stocking Level |
|----------|-----------------------|-------------------------------|-----------------|----------------|
| 1 | 83982 | Breakaway hinge assembly | 2 full, 1 split | |
| 2 | 84279 | Hinged basket hanger assembly | 2 full, 1 split | |



For the most up-to-date parts information, visit
<https://parts.hennypennyhelp.com>.

| Item No. | Part No. | Description | Qty. | Stocking Level |
|----------|--------------------------|---|-----------------|----------------|
| 3 | 15212 | Tubing square plug | 2 full, 1 split | |
| 4 | 83925 | Hinge pin, 1/4 x 2.25 inch | 2 full, 1 split | |
| 4 * | MS01-578 | Shim | 6 full, 3 split | |
| 5 * | SC01-267 | Hex screw, 1/4-28 UNF x 1 inch, SS | 2 full, 1 split | |
| 5 * | NS01-018 | Hex nut, 1/4-28 UNF, SS | 2 full, 1 split | |
| 6 | 83680 | Breakaway hinge mounting assembly | 2 full, 1 split | |
| 7 | 85022 | Auto lift actuator and connector assembly | 2 full, 1 split | B |
| 8 | 84470 | Auto lift rear guard assembly (2 well) | 1 | |
| 8 | 84913 | Auto lift rear guard assembly (3 well) | 1 | |
| 8 | 84918 | Auto lift rear guard assembly (4 well) | 1 | |
| 9* | 140273 | Auto lift actuator motor kit | A/R | |
| 10* | 140274 | Auto lift actuator switch kit | A/R | |

Recommended Parts: A = Truck Stock; B = Dist. Stock
*** = Not Shown**
A/R = As Required